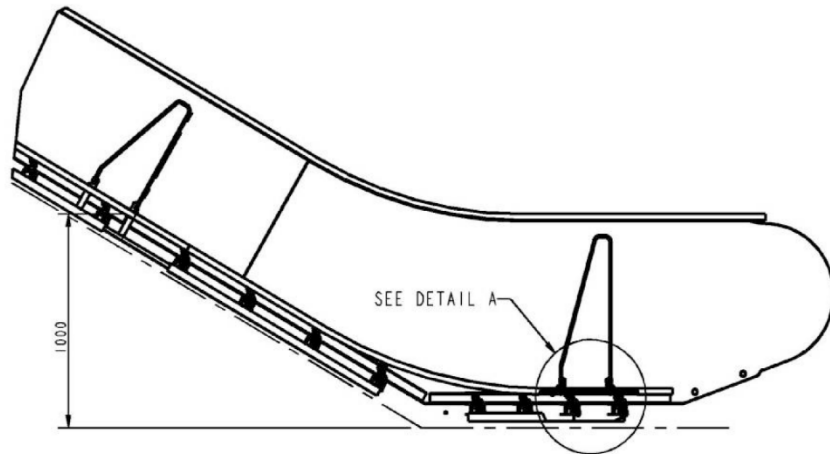
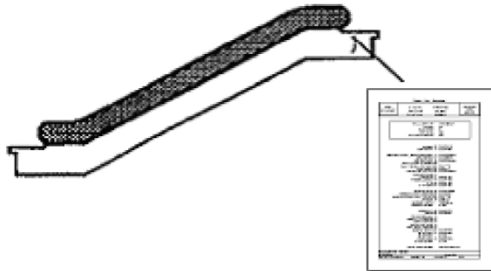


**508NCE / 512NCE
Escalator Deck Barricade**

Spare Parts Leaflet

57-DAA26220AQ

March 10, 2021 / Page 1 of 3



OTIS

This document does not contain any technical data subject to EAR or ITAR

**ESCALATOR ENGINEERING
Otis Elevator Company
SIT GUANGZHOU**

Unpublished Work—©Otis Elevator Co.; 2021

Leaflet Description

Deck barricade for ANSI glass balustrade w/o under H. R. lighting.

Leaflet Revisions

Date Revised	Subject Matter Expert	Reason for Revision
2018-03-01	Gao Yinglin	Original
2018-05-17	Gao Yinglin	Corrected drawing number in header on p. 3
2021-03-10	Li Jianjun	Deleted parts

Related Drawings

Drawing No.	Title	Drawing No.	Title
DAA26220AQ	DECK BARRICADE		

Related Documents

Document ID	Title
ODS DAA27076FW	Attached parts

Subject Matter Expert

Name	Department
Gao Yinglin	SIT GUANGZHOU

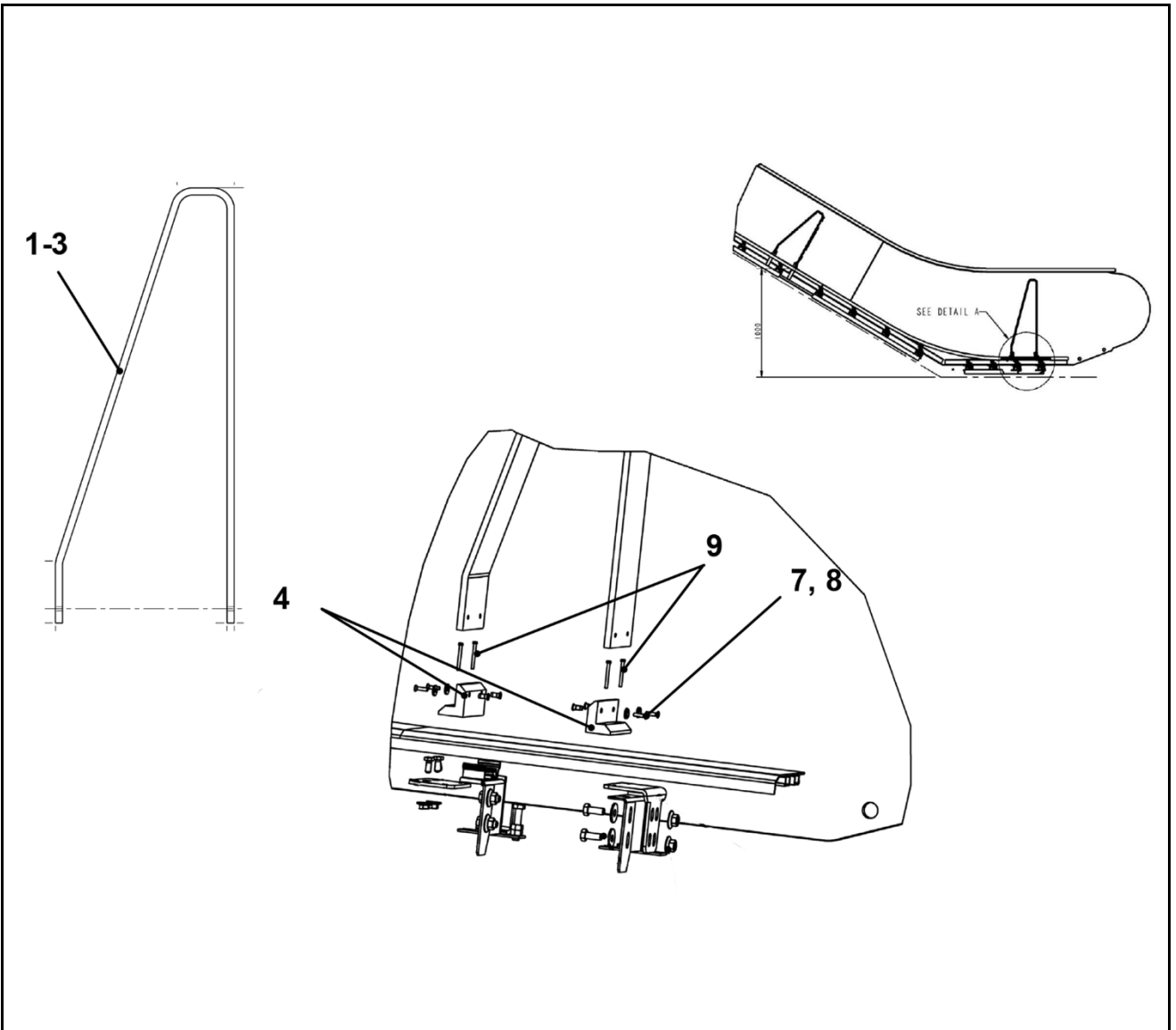
About Spare Parts Leaflets...

This document lists the lowest replaceable units (LRUs) for the standard version of the product. The LRUs are chosen by a team of Otis associates representing engineering and manufacturing.

While goal of this document is to make parts identification as easy as possible, the document cannot be all-inclusive. Elevator and escalator contracts classified as "special" or "custom" are not addressed here. For such contracts, please refer to specified information, the contract folder, TIPs, Field Education Articles, Construction Letters, etc. for further information.

If you have any suggestions about this document, please contact the subject matter expert listed on this page.

Deck Barricade



DAA26220AQ		
REF. No.	PART No.	DESCRIPTION
1	GAA384KC4	Deck barricade, landing
2	GAA384KC2	Deck barricade, incline
3	DAA384FX1	Deck barricade, for common deck
4	GAA180BHD1	Holder
7	DAA127Y2	Fastening part
8	ISO10642M5x20-8.8Z	Fastening part
9	ISO1207M5X40-4.8Z	Fastening part