

Leaflet Description

Opaque Balustrade Bracket

Leaflet Revisions

Date Revised	Subject Matter Expert	Reason for Revision
May 8, 2009	Wang, Shouhong	Release

Related Drawings

Drawing No.	Title	Drawing No.	Title
DAA26225K	Opaque Balustrade Bracket		

Related Documents

Document ID	Title
ODS DAA27076J	Opaque Balustrade Bracket

Subject Matter Expert

Name	Department
Wang, Shouhong	SIT-Guangzhou

About Spare Parts Leaflets...

This document lists the lowest replaceable units (LRUs) for the standard version of the product. The LRUs are chosen by a team of Otis associates representing engineering and manufacturing.

While goal of this document is to make parts identification as easy as possible, the document cannot be all-inclusive. Elevator and escalator contracts classified as "special" or "custom" are not addressed here. For such contracts, please refer to specified information, the contract folder, TIPs, Field Education Articles, Construction Letters, etc. for further information.

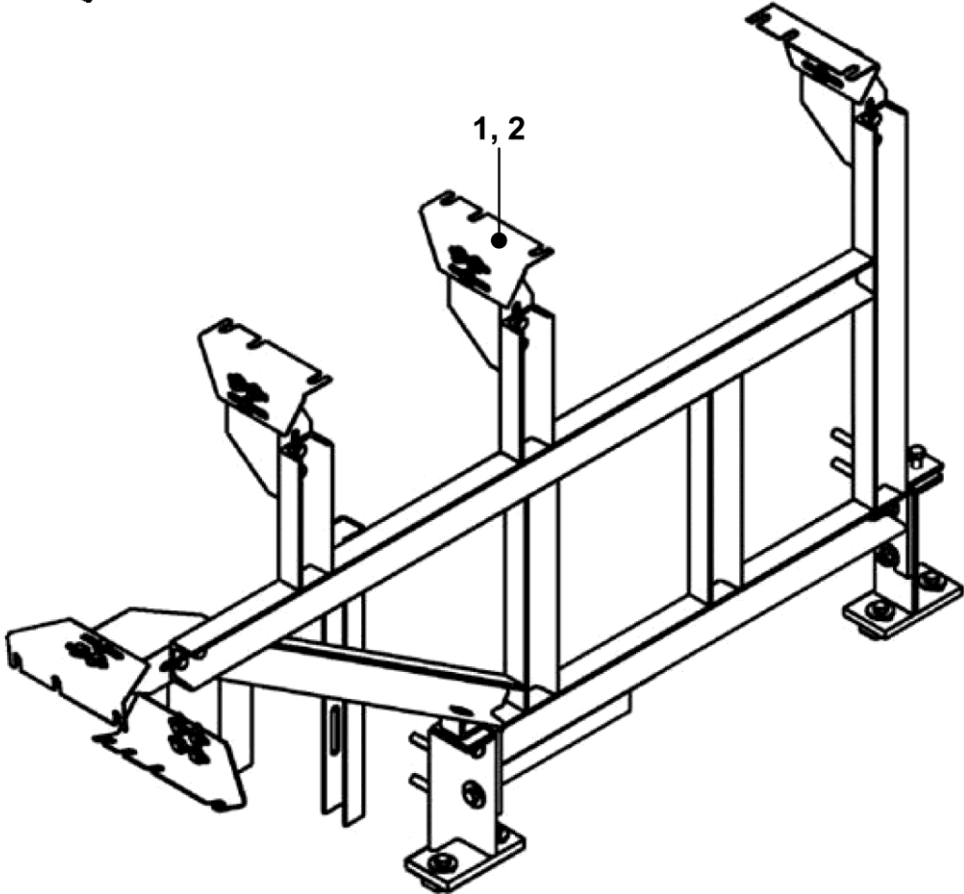
If you have any suggestions about this document, please contact the subject matter expert listed on this page.

Support, Upper Landing

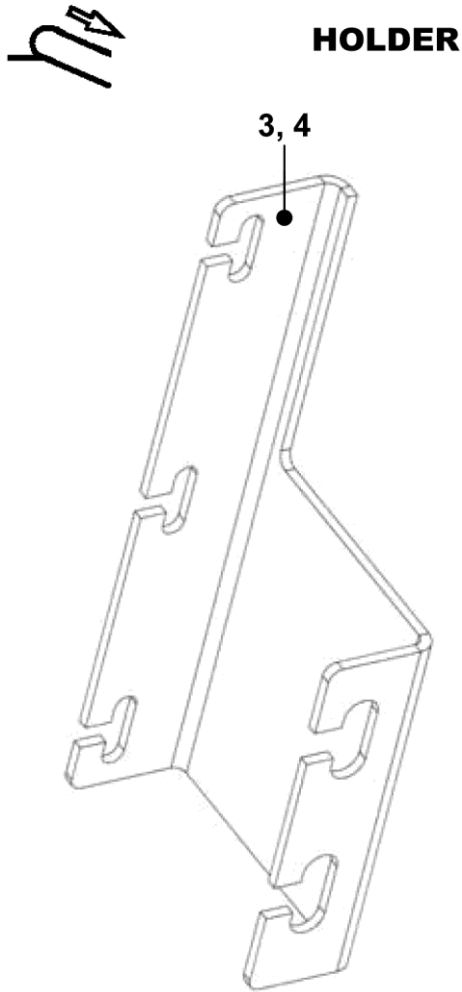
57-DAA26225K



SUPPORTING



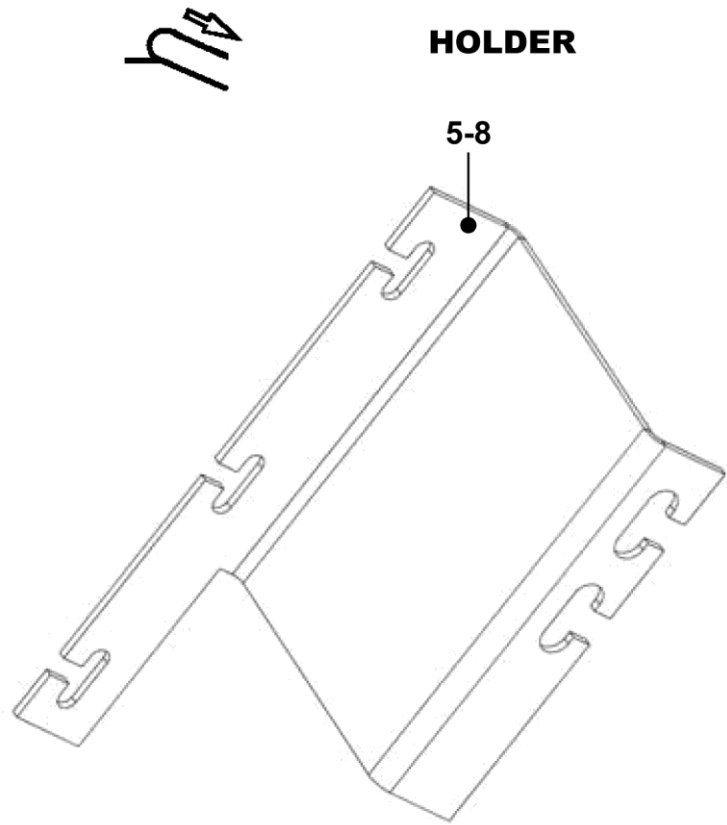
DAA26225K		
REF. No.	PART No.	DESCRIPTION
1	DAA316APV1	Supporting, Left Side (As Shown), ANSI 30°
2	DAA316APV2	Supporting, Right Side (Opposite), ANSI 30°



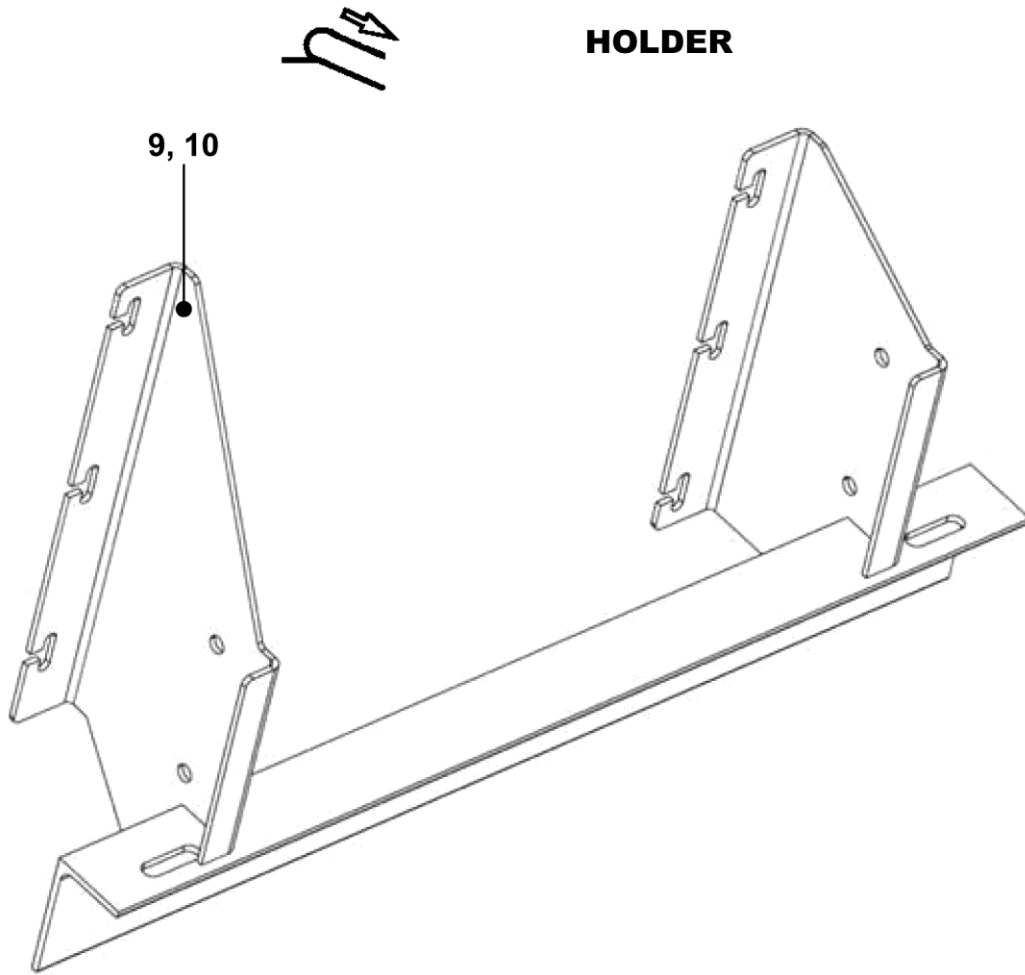
DAA26225K		
REF. No.	PART No.	DESCRIPTION
3	DAA180EY1	Holder, Left Side (As Shown), ANSI 30°
4	DAA180EY2	Holder, Right Side (Opposite), ANSI 30°

Holder, Upper Landing

57-DAA26225K



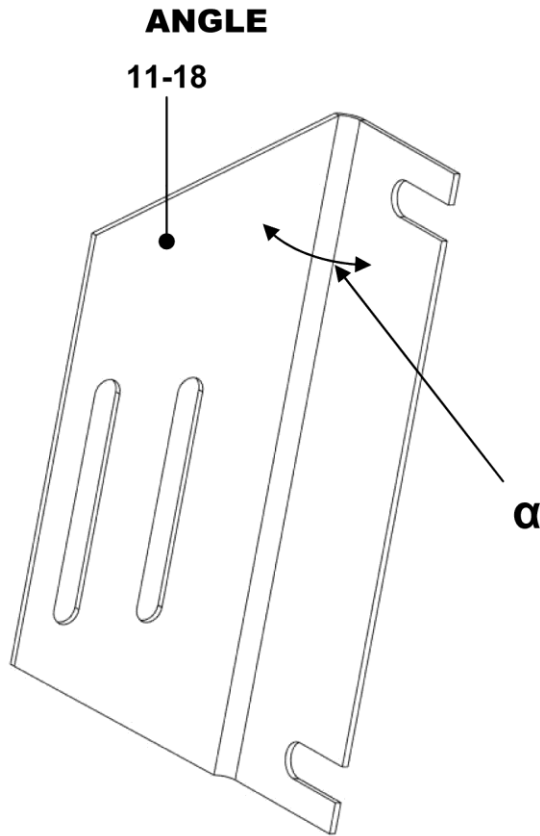
DAA26225K			
REF. No.	PART No.	DESCRIPTION	
5	DAA180DK1	Holder, Left Side (As Shown), ANSI 30°	3 Flat steps
6	DAA180DK2	Holder, Right Side (Opposite), ANSI 30°	
7	DAA180DK3	Holder, Left Side (As Shown), ANSI 30°	2 Flat steps
8	DAA180DK4	Holder, Right Side (Opposite), ANSI 30°	



DAA26225K			
REF. No.	PART No.	DESCRIPTION	
9	DAA180JZ1	Holder, Left Side (As Shown), ANSI 30°	3 Flat steps
10	DAA180JZ2	Holder, Right Side (Opposite), ANSI 30°	

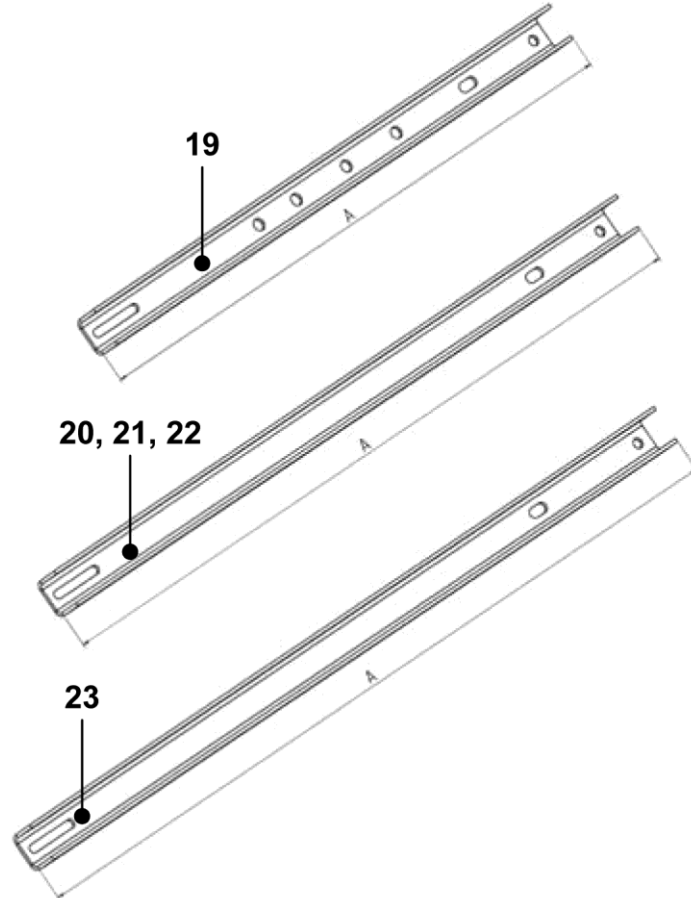
Angle

57-DAA26225K



DAA26225K			
REF. No.	PART No.	DESCRIPTION	
11	DAA283NJ1	Angle, Left Side (As Shown), ANSI 30°	Upper Landing & Inclined Section $\alpha = 90^\circ$
12	DAA283NJ2	Angle, Right Side (Opposite), ANSI 30°	
13	DAA283NJ5	Angle, Left Side (As Shown), ANSI 30°	Upper Landing 3 Flat steps $\alpha = 85^\circ$
14	DAA283NJ6	Angle, Right Side (Opposite), ANSI 30°	
15	DAA283NJ7	Angle, Left Side (As Shown), ANSI 30°	Upper & Lower Landing $\alpha = 79^\circ$
16	DAA283NJ8	Angle, Right Side (Opposite), ANSI 30°	
17	DAA283NJ9	Angle, Left Side (As Shown), ANSI 30°	Lower Landing $\alpha = 101.5^\circ$
18	DAA283NJ10	Angle, Right Side (Opposite), ANSI 30°	

BRACKET



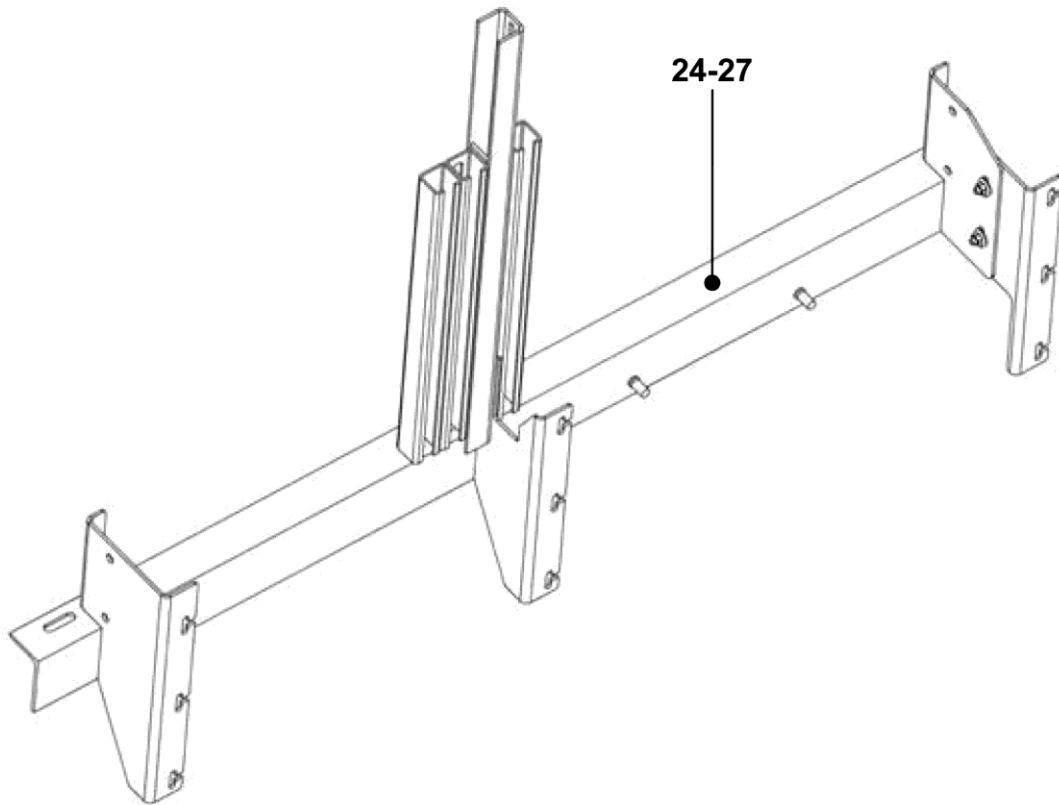
DAA26225K		
REF. No.	PART No.	DESCRIPTION
19	DAA316ACC1	Bracket, ANSI 30°, Upper Landing & Inclined Section, A = 730
20	DAA316ACC2	Bracket, ANSI 30°, Upper Landing, A = 900
21	DAA316ACC3	Bracket, ANSI 30°, Lower Landing, A = 785
22	DAA316ACC7	Bracket, ANSI 30°, Upper Landing, 3 Flat steps, A = 985
23	DAA316ACC8	Bracket, ANSI 30°, Lower Landing, 3 Flat steps, A = 1000

Holder, Upper Landing

57-DAA26225K

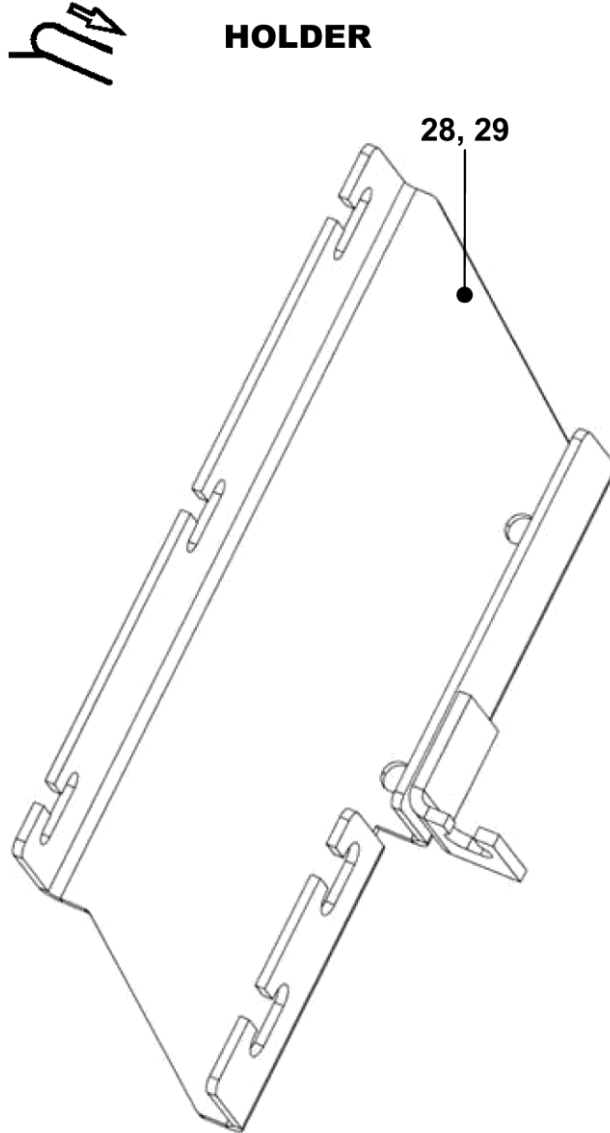


HOLDER



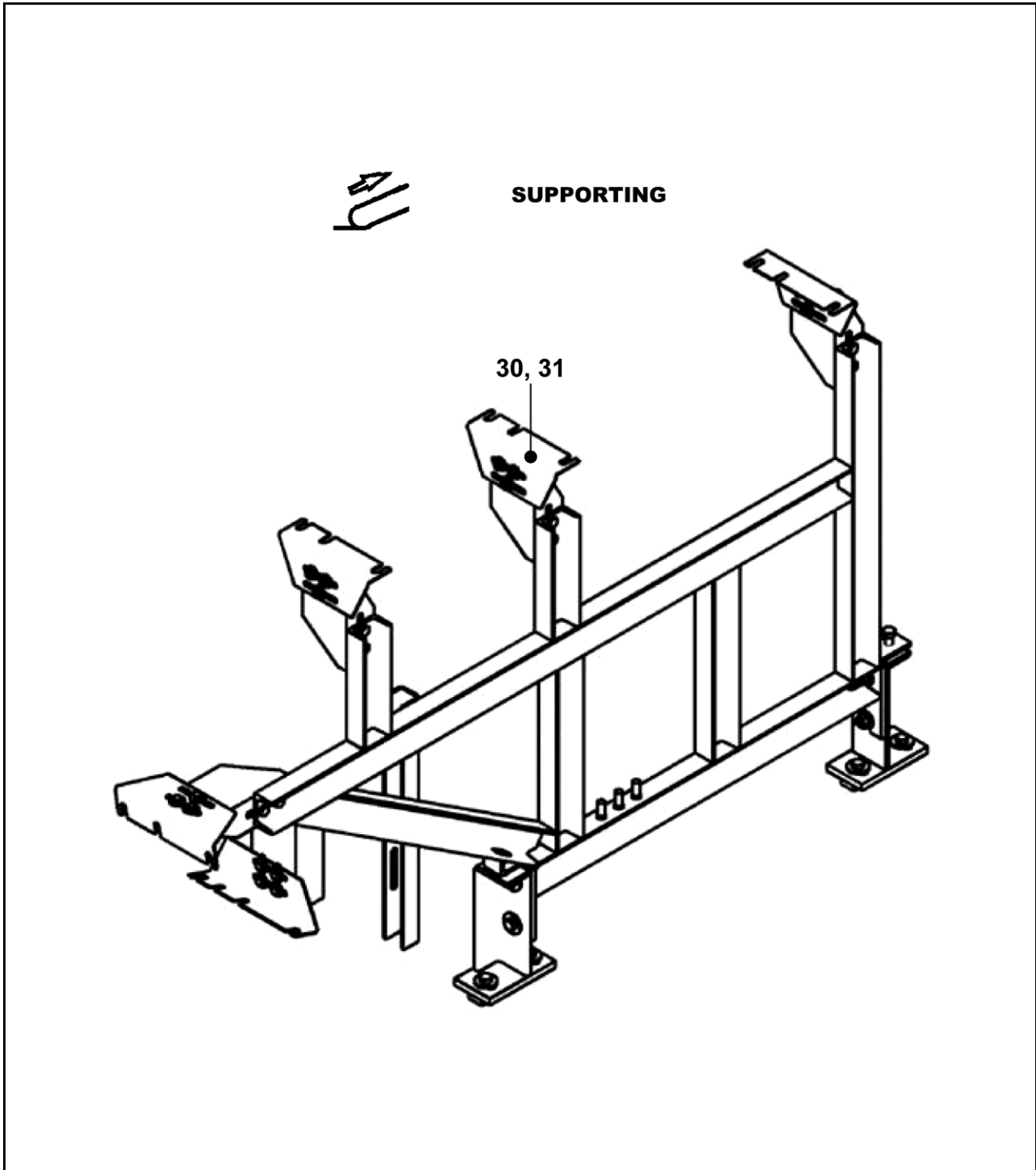
DAA26225K			
REF. No.	PART No.	DESCRIPTION	
24	DAA180KF1	Holder, Left Side (As Shown), ANSI 30°	3 Flat steps
25	DAA180KF2	Holder, Right Side (Opposite), ANSI 30°	
26	DAA180KF3	Holder, Left Side (As Shown), ANSI 30°	2 Flat steps
27	DAA180KF4	Holder, Right Side (Opposite), ANSI 30°	

Holder, Upper Landing



HOLDER

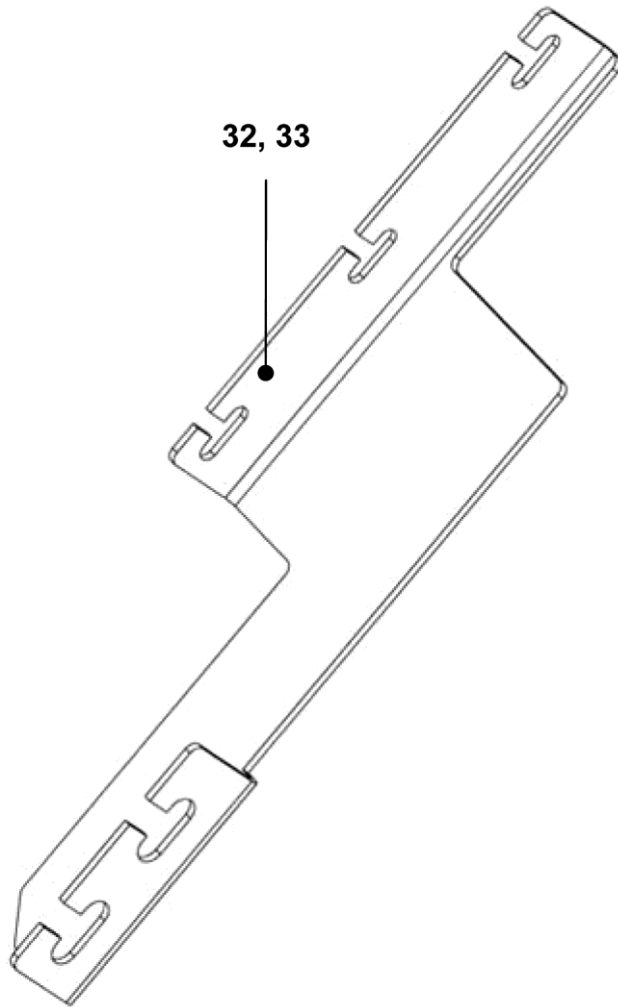
DAA26225K			
REF. No.	PART No.	DESCRIPTION	
28	DAA180CN1	Holder, Left Side (As Shown), ANSI 30°	2 Flat steps
29	DAA180CN2	Holder, Right Side (Opposite), ANSI 30°	



DAA26225K		
REF. No.	PART No.	DESCRIPTION
30	DAA316APX1	Supporting, Right Side (As Shown), ANSI 30°
31	DAA316APX2	Supporting, Left Side (Opposite), ANSI 30°



HOLDER



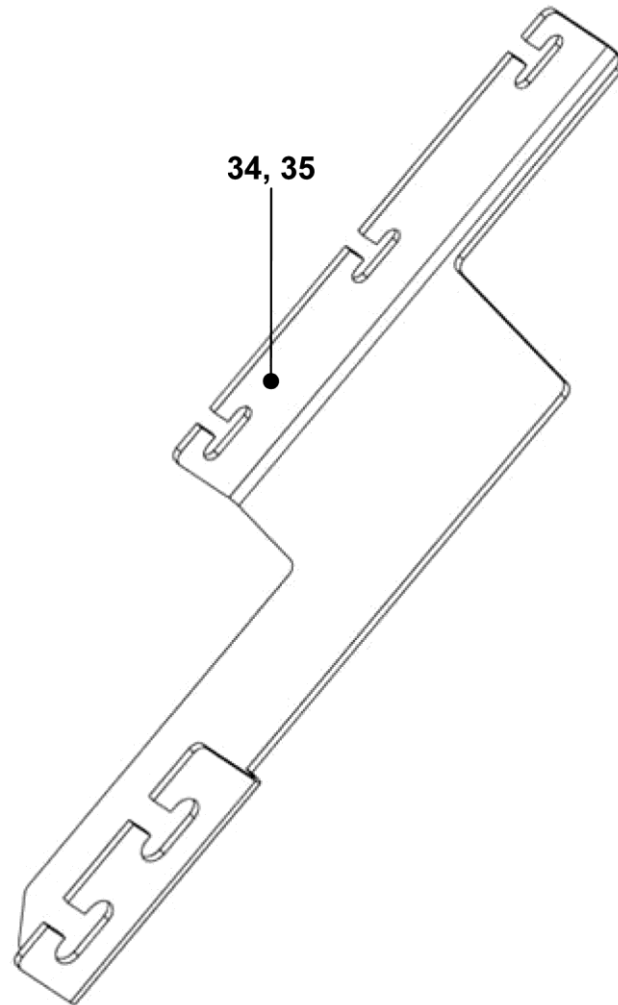
DAA26225K		
REF. No.	PART No.	DESCRIPTION
32	DAA180DF1	Holder, Left Side (As Shown), ANSI 30°
33	DAA180DF2	Holder, Right Side (Opposite), ANSI 30°

Holder, Lower Landing

57-DAA26225K



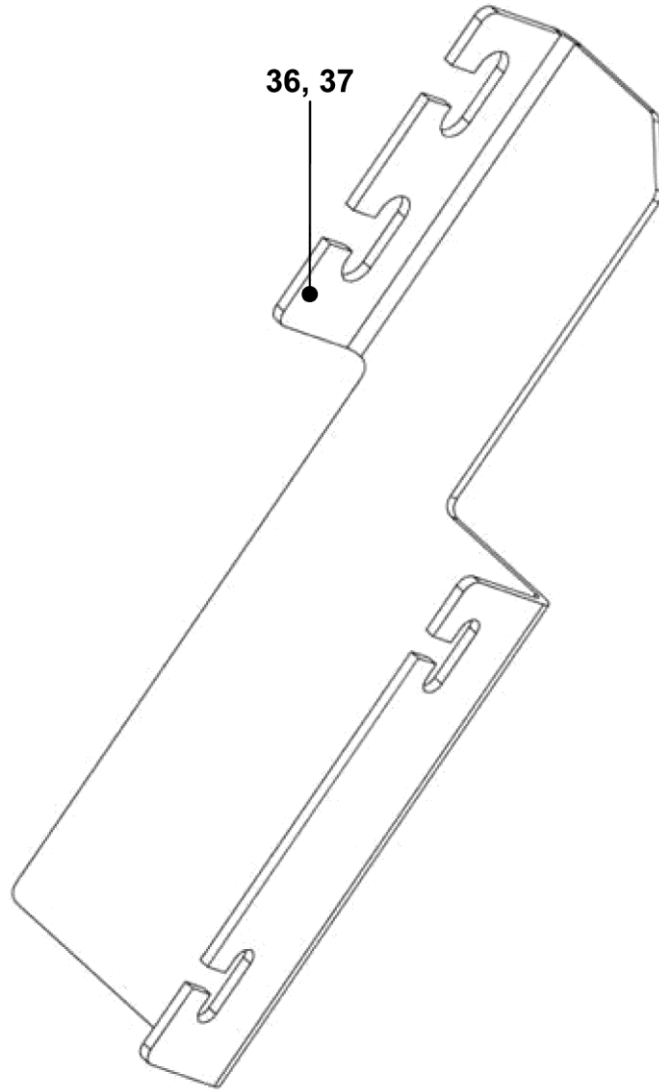
HOLDER



DAA26225K		
REF. No.	PART No.	DESCRIPTION
34	DAA180HB1	Holder, Left Side (As Shown), ANSI 30°
35	DAA180HB2	Holder, Right Side (Opposite), ANSI 30°



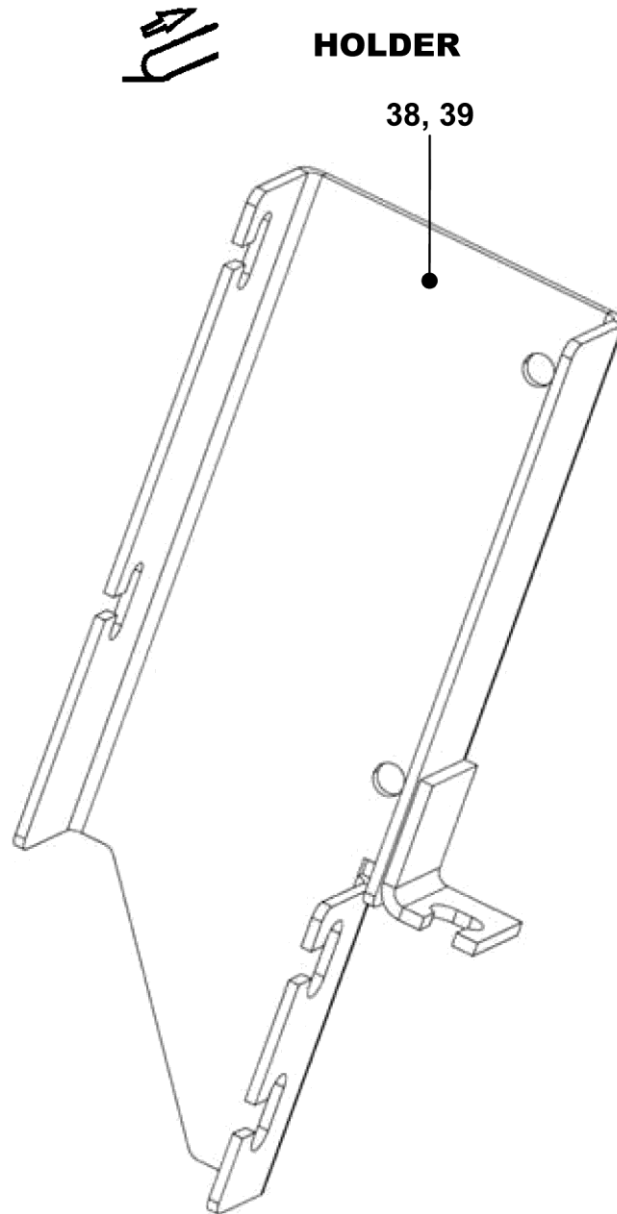
HOLDER



DAA26225K			
REF. No.	PART No.	DESCRIPTION	
36	DAA180KA1	Holder, Left Side (As Shown), ANSI 30°	2 Flat steps
37	DAA180KA2	Holder, Right Side (Opposite), ANSI 30°	

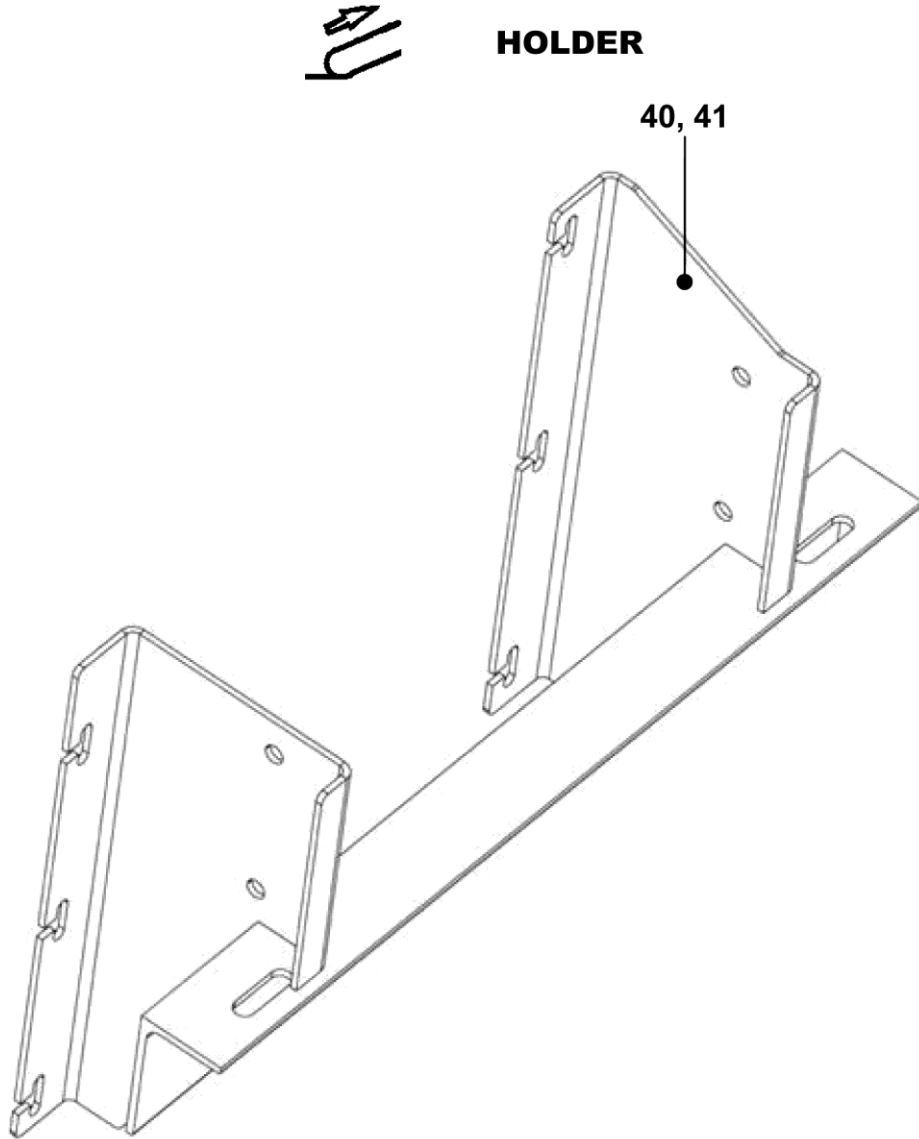
Holder, Lower Landing

57-DAA26225K



DAA26225K			
REF. No.	PART No.	DESCRIPTION	
38	DAA180GV1	Holder, Left Side (As Shown), ANSI 30°	2 Flat steps
39	DAA180GV2	Holder, Right Side (Opposite), ANSI 30°	

Holder, Upper Landing

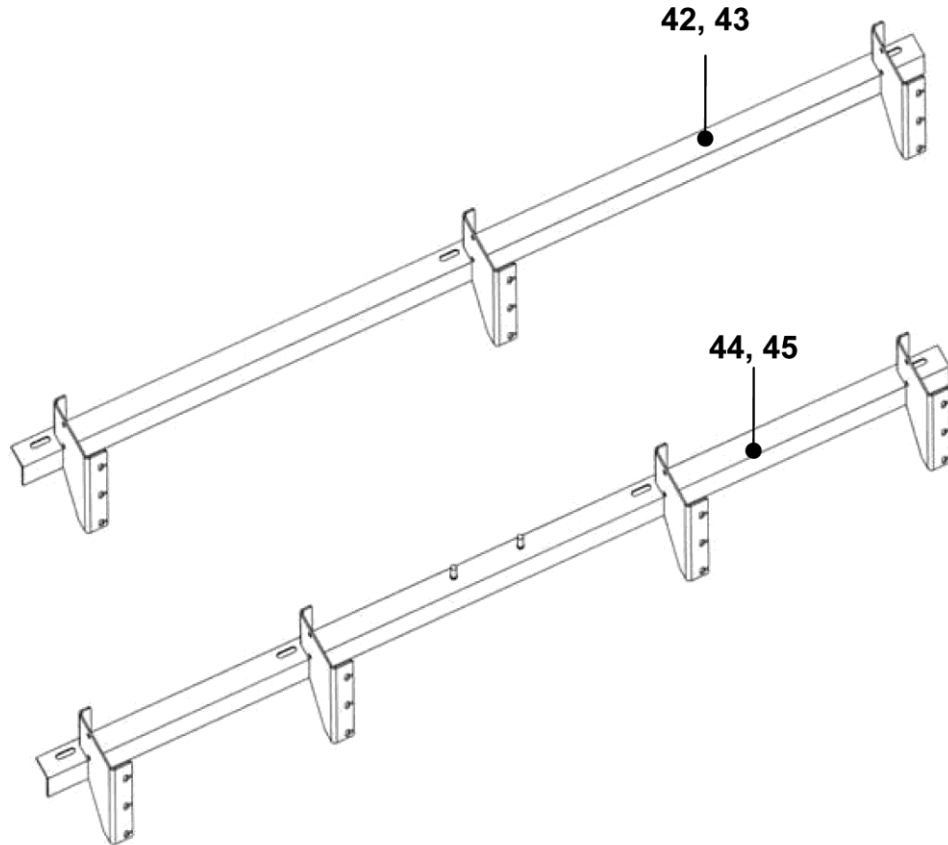


DAA26225K		
REF. No.	PART No.	DESCRIPTION
40	DAA180KC1	Holder, Left Side (As Shown), ANSI 30°
41	DAA180KC2	Holder, Right Side (Opposite), ANSI 30°

Holder, Inclined Section

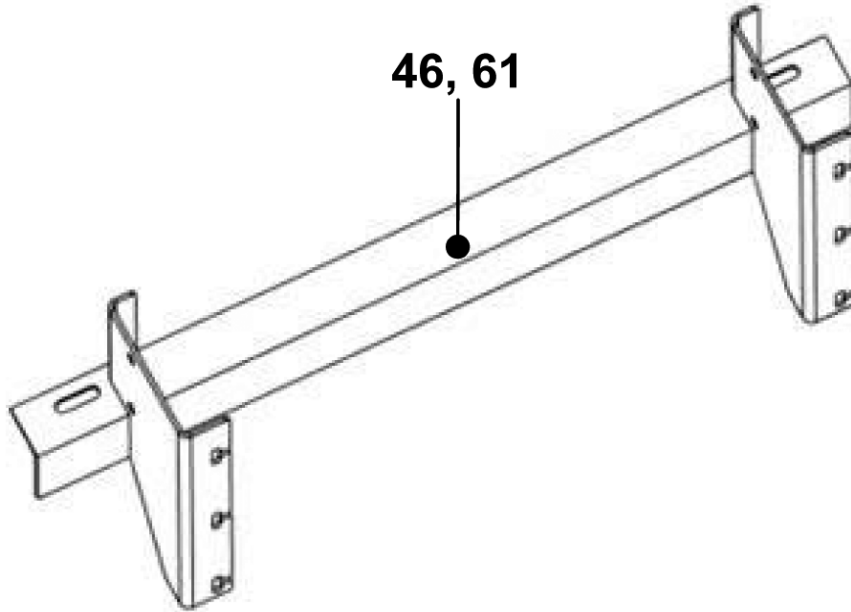
57-DAA26225K

HOLDER



DAA26225K			
REF. No.	PART No.	DESCRIPTION	
42	DAA180JS1	Holder, Left Side (As Shown), ANSI 30°	FOR TRUSS S1~S8
43	DAA180JS2	Holder, Right Side (Opposite), ANSI 30°	
44	DAA180JS3	Holder, Left Side (As Shown), ANSI 30°	FOR TRUSS S1
45	DAA180JS4	Holder, Right Side (Opposite), ANSI 30°	

HOLDER



DAA26225K			
REF. No.	PART No.	DESCRIPTION	
46	DAA180JS-V1	Holder, Left Side (As Shown), ANSI 30°	FOR TRUSS S1, S5
47	DAA180JS-V2	Holder, Right Side (Opposite), ANSI 30°	
48	DAA180JS-V3	Holder, Left Side (As Shown), ANSI 30°	
49	DAA180JS-V4	Holder, Right Side (Opposite), ANSI 30°	
50	DAA180JS-V5	Holder, Left Side (As Shown), ANSI 30°	FOR TRUSS S2, S6
51	DAA180JS-V6	Holder, Right Side (Opposite), ANSI 30°	
52	DAA180JS-V7	Holder, Left Side (As Shown), ANSI 30°	
53	DAA180JS-V8	Holder, Right Side (Opposite), ANSI 30°	
54	DAA180JS-V9	Holder, Left Side (As Shown), ANSI 30°	FOR TRUSS S3, S7
55	DAA180JS-V10	Holder, Right Side (Opposite), ANSI 30°	
56	DAA180JS-V11	Holder, Left Side (As Shown), ANSI 30°	
57	DAA180JS-V12	Holder, Right Side (Opposite), ANSI 30°	
58	DAA180JS-V13	Holder, Left Side (As Shown), ANSI 30°	FOR TRUSS S4, S8
59	DAA180JS-V14	Holder, Right Side (Opposite), ANSI 30°	
60	DAA180JS-V15	Holder, Left Side (As Shown), ANSI 30°	
61	DAA180JS-V16	Holder, Right Side (Opposite), ANSI 30°	