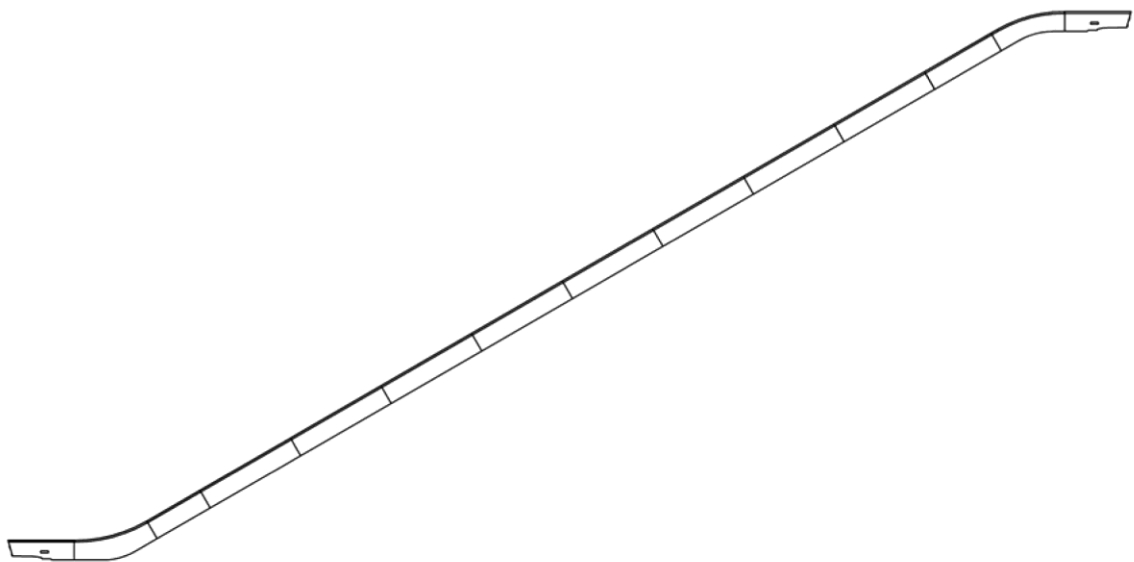
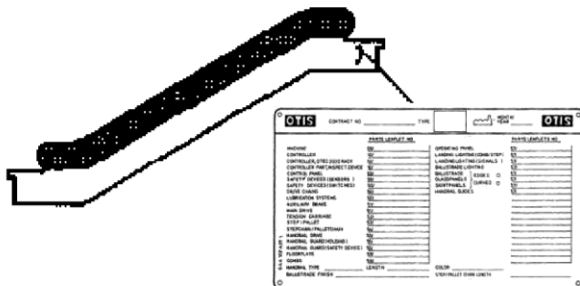


**512NCE / 515NPE-S /
515NPE-L Opaque
Balustrade Skirt Panel**

Spare Parts Leaflet

57-DAA26227H

January 14, 2011 / Page 1 of 48



Notes:
The 'left side' and 'right side' is defined when passenger stands at the lower landing, facing the escalator.

Unpublished Work—© Otis Elevator Co.; 2011



Safety First!

ESCALATOR ENGINEERING
Otis Elevator Company
SIT GUANGZHOU

Leaflet Description

Opaque Balustrade Skirt Panel for 512NCE/515NPE-S/515NPE-L

Leaflet Revisions

Date Revised	Subject Matter Expert	Reason for Revision
August 30, 2007	Wang Shouhong	Release
May 18, 2009	Wang Shouhong	Add low friction skirt panels, and parts for EN115:2008 & ANSI from page 10 to page 22. Product names LINK B changed to 515NPE-S, LINK C changed to 515NPE-L.
November 24, 2009	Wang Shouhong	Parts for 35 degree added on page 23-42; Parts numbers changed on page 16.
March 5, 2010	Wang Shouhong	Parts added on page 43-46.
January 14, 2011	Gao Yinglin	Ref. No. 32A-32H added on P7; Ref. No. 40A-40H added on P8; DAA438JB1/2 changed to DAA438JB5/6, & Ref. No. 48A-48L added on P9; Ref. No. 80A-80H added on P14; Ref. No. 88A-88H added on P15; DAA438MK1/2 changed to DAA438MK5/6, & Ref. No. 96A-96L added on P16; Ref. No. 120A-120H added on P21; Ref. No. 121-128 deleted on P22, combined to P16; Ref. No. 232A-232H added on P39; Ref. No. 244A-244L added on P41; Ref. No. 252A-252H added on P42; Ref. No. 264A-264L added on P44. Ref. No. 265-292 deleted on P45-48, combined to P9 & P16.

Related Drawings

Drawing No.	Title	Drawing No.	Title
DAA26227H	Balustrade Skirt Panel		

Related Documents

Document ID	Title
ODS DAA27076M	Balustrade Skirt Panel

Subject Matter Expert

Name	Department
Wang Shouhong	SIT-GUANGZHOU

About Spare Parts Leaflets...

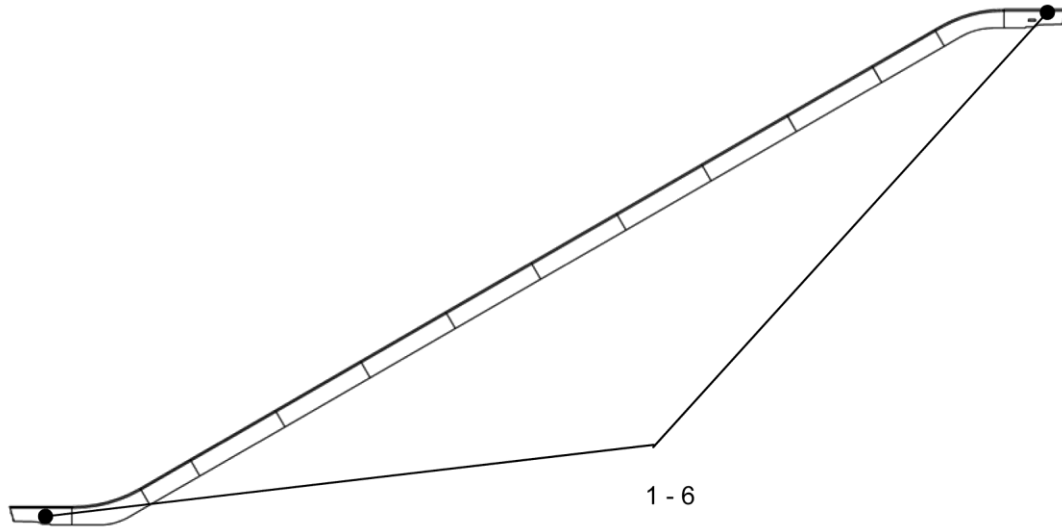
This document lists the lowest replaceable units (LRUs) for the standard version of the product. The LRUs are chosen by a team of Otis associates representing engineering and manufacturing.

While goal of this document is to make parts identification as easy as possible, the document cannot be all-inclusive. Elevator and escalator contracts classified as "special" or "custom" are not addressed here. For such contracts, please refer to specified information, the contract folder, TIPs, Field Education Articles, Construction Letters, etc. for further information.

If you have any suggestions about this document, please contact the subject matter expert listed on this page.

Opaque Balustrade Skirt Panel

OPAQUE SKIRT PANEL, ST. ST. G2 HAIRLINE, FOR EN115:1995 / GB16899:1997
FOR 515NPE-S 30°, 515NPE-L 30° & 35°

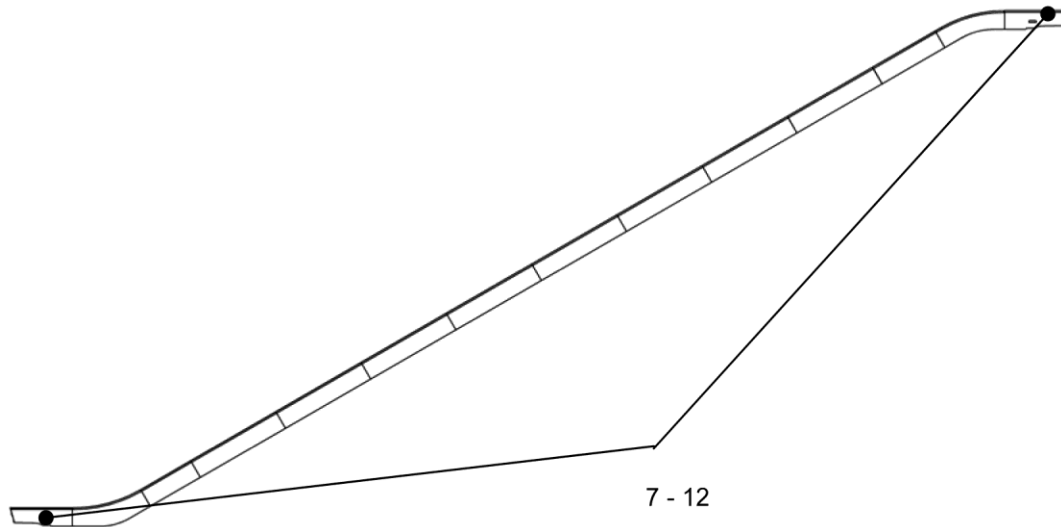


Upper Landing = U.L.
Lower Landing = L.L.

DAA26227H			
REF. No.	PART No.	DESCRIPTION	LOCATED
1	DAA438HW1	First skirt panel, U.L. left side & L.L. right side, w/ comb lighting For 2 flat step	Outdoor
2	DAA438HW2	First skirt panel, U.L. right side & L.L. left side, w/ comb lighting For 2 flat step	
3	DAA438HW5	First skirt panel, U.L. left side & L.L. right side, w/ comb lighting For 3 flat step	
4	DAA438HW6	First skirt panel, U.L. right side & L.L. left side, w/ comb lighting For 3 flat step	
5	DAA438HW9	First skirt panel, U.L. left side & L.L. right side, w/ comb lighting For 4 flat step	
6	DAA438HW10	First skirt panel, U.L. right side & L.L. left side, w/ comb lighting For 4 flat step	

Opaque Balustrade Skirt Panel

OPAQUE SKIRT PANEL, ST. ST. G2 HAIRLINE, FOR EN115:1995 / GB16899:1997
FOR 515NPE-S 30°, 515NPE-L 30° & 35°



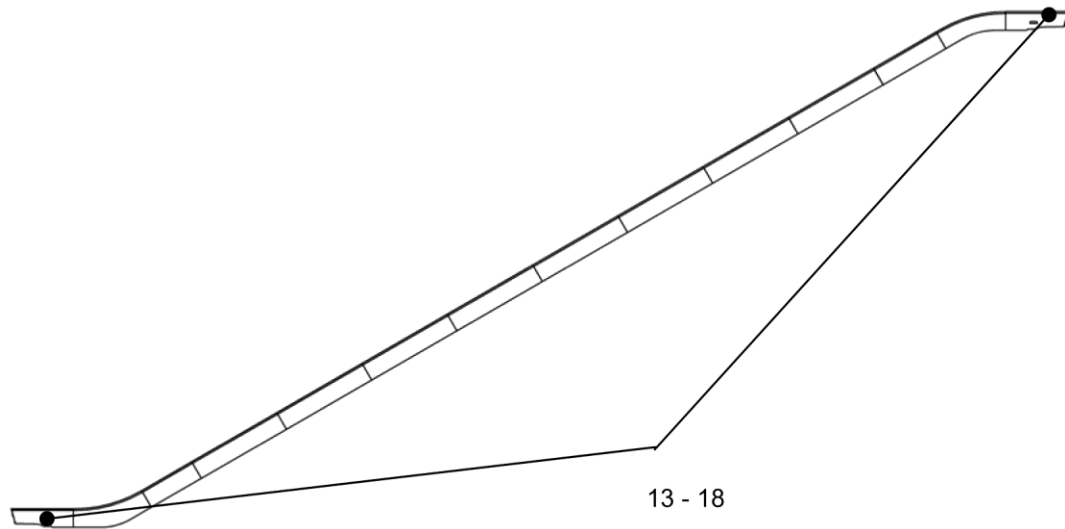
Upper Landing = U.L.
Lower Landing = L.L.

DAA26227H

REF. No.	PART No.	DESCRIPTION	LOCATED
7	DAA438HW3	First skirt panel, U.L. left side & L.L. right side, w/o comb lighting For 2 flat step	Outdoor
8	DAA438HW4	First skirt panel, U.L. right side & L.L. left side, w/o comb lighting For 2 flat step	
9	DAA438HW7	First skirt panel, U.L. left side & L.L. right side, w/o comb lighting For 3 flat step	
10	DAA438HW8	First skirt panel, U.L. right side & L.L. left side, w/o comb lighting For 3 flat step	
11	DAA438HW11	First skirt panel, U.L. left side & L.L. right side, w/o comb lighting For 4 flat step	
12	DAA438HW12	First skirt panel, U.L. right side & L.L. left side, w/o comb lighting For 4 flat step	

Opaque Balustrade Skirt Panel

OPAQUE SKIRT PANEL, ST. ST. G2 HAIRLINE, FOR EN115:1995 / GB16899:1997
FOR 515NPE-S 30°, 515NPE-L 30° & 35°



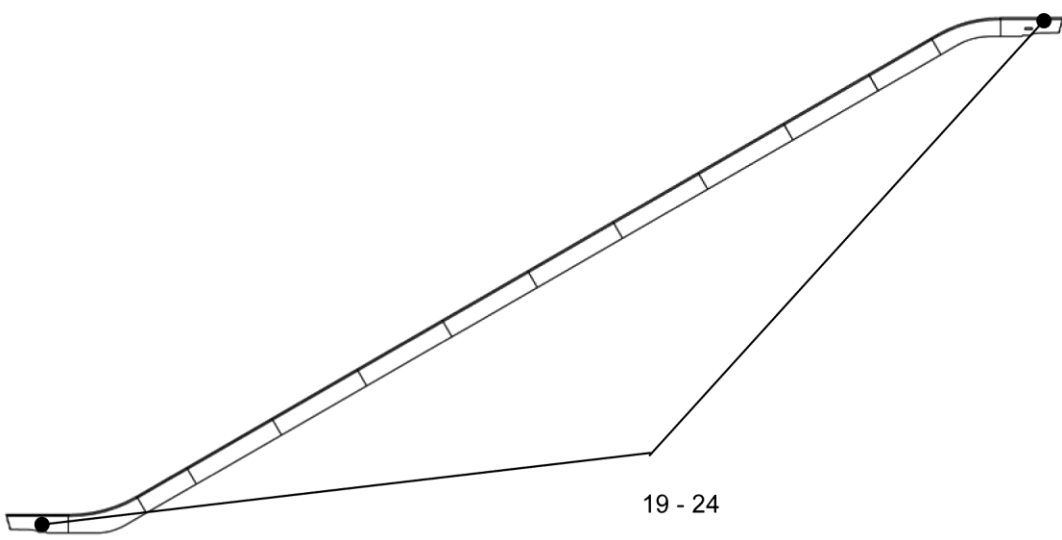
Upper Landing = U.L.
Lower Landing = L.L.

DAA26227H

REF. No.	PART No.	DESCRIPTION	LOCATED
13	DAA438HW13	First skirt panel, U.L. left side & L.L. right side, w/ comb lighting For 2 flat step	Indoor
14	DAA438HW14	First skirt panel, U.L. right side & L.L. left side, w/ comb lighting For 2 flat step	
15	DAA438HW17	First skirt panel, U.L. left side & L.L. right side, w/ comb lighting For 3 flat step	
16	DAA438HW18	First skirt panel, U.L. right side & L.L. left side, w/ comb lighting For 3 flat step	
17	DAA438HW21	First skirt panel, U.L. left side & L.L. right side, w/ comb lighting For 4 flat step	
18	DAA438HW22	First skirt panel, U.L. right side & L.L. left side, w/ comb lighting For 4 flat step	

Opaque Balustrade Skirt Panel

OPAQUE SKIRT PANEL, ST. ST. G2 HAIRLINE, FOR EN115:1995 / GB16899:1997
FOR 515NPE-S 30°, 515NPE-L 30° & 35°



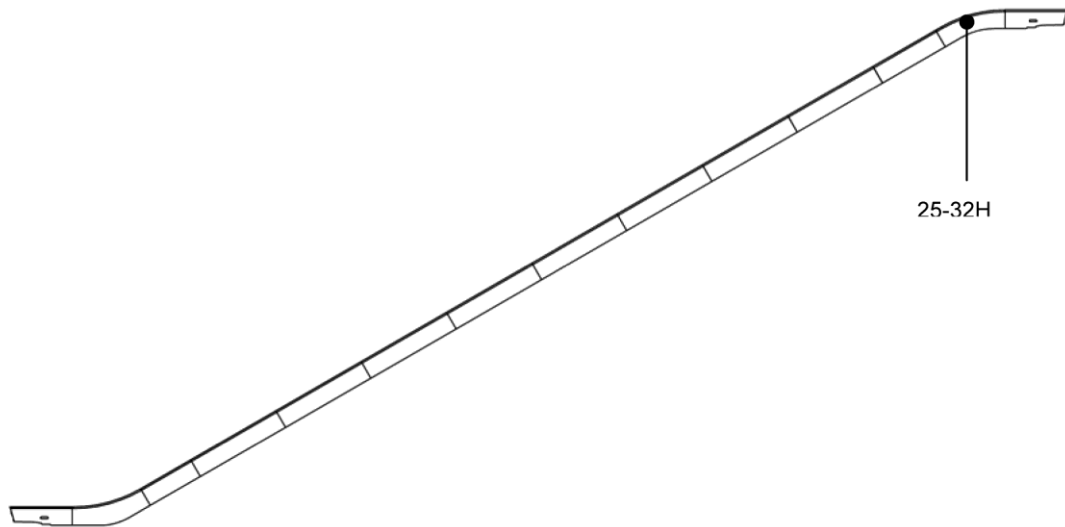
Upper Landing = U.L.
Lower Landing = L.L.

DAA26227H

REF. No.	PART No.	DESCRIPTION	LOCATED
19	DAA438HW15	First skirt panel, U.L. left side & L.L. right side, w/o comb lighting For 2 flat step	Indoor
20	DAA438HW16	First skirt panel, U.L. right side & L.L. left side, w/o comb lighting For 2 flat step	
21	DAA438HW19	First skirt panel, U.L. left side & L.L. right side, w/o comb lighting For 3 flat step	
22	DAA438HW20	First skirt panel, U.L. right side & L.L. left side, w/o comb lighting For 3 flat step	
23	DAA438HW23	First skirt panel, U.L. left side & L.L. right side, w/o comb lighting For 4 flat step	
24	DAA438HW24	First skirt panel, U.L. right side & L.L. left side, w/o comb lighting For 4 flat step	

Opaque Balustrade Skirt Panel

OPAQUE SKIRT PANEL, ST. ST. G2 HAIRLINE, FOR EN115:1995 / GB16899:1997
FOR 515NPE-S 30° & 515NPE-L 30°



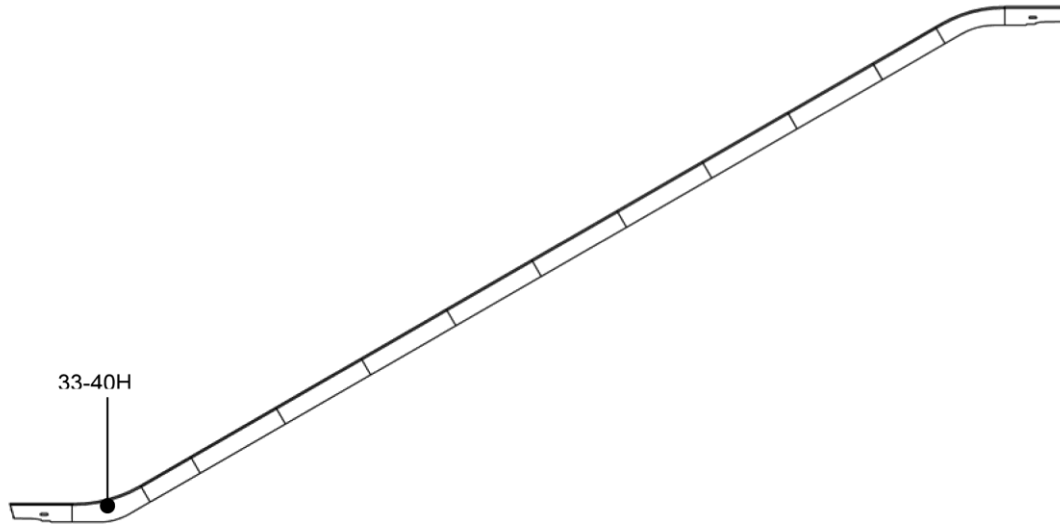
Upper Landing = U.L.

DAA26227H

REF. NO.	PART NO.	DESCRIPTION	LOCATED	TYPE
25	DAA438HY1	Curve Skirt Panel, U.L. left side	Outdoor	515NPE-S
26	DAA438HY2	Curve Skirt Panel, U.L. right side		
27	DAA438HY3	Curve Skirt Panel, U.L. left side	Indoor	
28	DAA438HY4	Curve Skirt Panel, U.L. right side		
29	DAA438JM1	Curve Skirt Panel, U.L. left side	Outdoor	515NPE-L
30	DAA438JM2	Curve Skirt Panel, U.L. right side		
31	DAA438JM3	Curve Skirt Panel, U.L. left side	Indoor	
32	DAA438JM4	Curve Skirt Panel, U.L. right side		
32A	DAA438HY9	Curve Skirt Panel, U.L. left side, w/ ETA	Outdoor	515NPE-S
32B	DAA438HY10	Curve Skirt Panel, U.L. right side, w/ ETA		
32C	DAA438HY11	Curve Skirt Panel, U.L. left side, w/ ETA	Indoor	
32D	DAA438HY12	Curve Skirt Panel, U.L. right side, w/ ETA		
32E	DAA438JM9	Curve Skirt Panel, U.L. left side, w/ ETA	Outdoor	515NPE-L
32F	DAA438JM10	Curve Skirt Panel, U.L. right side, w/ ETA		
32G	DAA438JM11	Curve Skirt Panel, U.L. left side, w/ ETA	Indoor	
32H	DAA438JM12	Curve Skirt Panel, U.L. right side, w/ ETA		

Opaque Balustrade Skirt Panel

OPAQUE SKIRT PANEL, ST. ST. G2 HAIRLINE, FOR EN115:1995 / GB16899:1997
FOR 515NPE-S 30°, 515NPE-L 30°



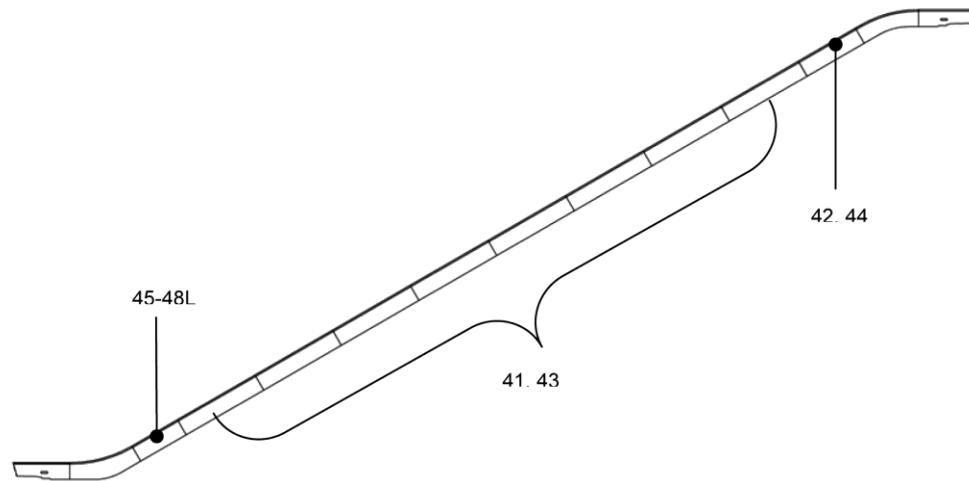
Lower Landing = L.L.

DAA26227H

REF. No.	PART No.	DESCRIPTION	LOCATED	TYPE
33	DAA438HZ1	Curve Skirt Panel, L.L. left side	Outdoor	515NPE-S
34	DAA438HZ2	Curve Skirt Panel, L.L. right side		
35	DAA438HZ3	Curve Skirt Panel, L.L. left side	Indoor	
36	DAA438HZ4	Curve Skirt Panel, L.L. right side		
37	DAA438JN1	Curve Skirt Panel, L.L. left side	Outdoor	515NPE-L
38	DAA438JN2	Curve Skirt Panel, L.L. right side		
39	DAA438JN3	Curve Skirt Panel, L.L. left side	Indoor	
40	DAA438JN4	Curve Skirt Panel, L.L. right side		
40A	DAA438HZ9	Curve Skirt Panel, L.L. left side, w/ ETA	Outdoor	515NPE-S
40B	DAA438HZ10	Curve Skirt Panel, L.L. right side, w/ ETA		
40C	DAA438HZ11	Curve Skirt Panel, L.L. left side, w/ ETA	Indoor	
40D	DAA438HZ12	Curve Skirt Panel, L.L. right side, w/ ETA		
40E	DAA438JN9	Curve Skirt Panel, L.L. left side, w/ ETA	Outdoor	515NPE-L
40F	DAA438JN10	Curve Skirt Panel, L.L. right side, w/ ETA		
40G	DAA438JN11	Curve Skirt Panel, L.L. left side, w/ ETA	Indoor	
40H	DAA438JN12	Curve Skirt Panel, L.L. right side, w/ ETA		

Opaque Balustrade Skirt Panel

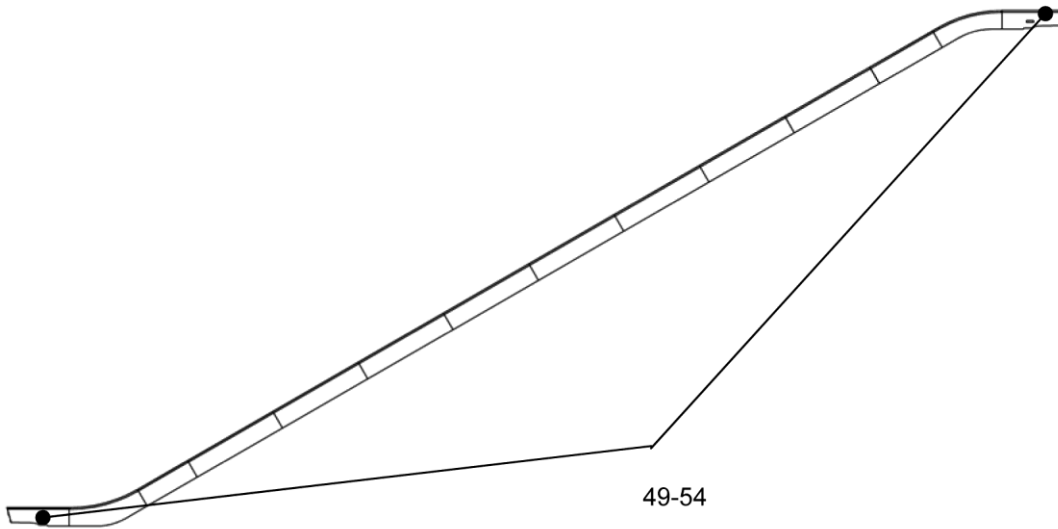
OPAQUE SKIRT PANEL, ST. ST. G2 HAIRLINE, FOR EN115:1995 , 30° & 35°



DAA26227H			
REF. No.	PART No.	DESCRIPTION	LOCATED
41	DAA438JB1	Skirt Panel, inclined section. Length: 1980mm	Outdoor
	DAA438JB5	Skirt Panel, inclined section. Length: 2960mm	
42	DAA438JB2	Skirt Panel, inclined section. Length: 1455.5mm	
43	DAA438JB3	Skirt Panel, inclined section. Length: 1980mm	Indoor
	DAA438JB6	Skirt Panel, inclined section. Length: 2960mm	
44	DAA438JB4	Skirt Panel, inclined section. Length: 1455.5mm	
45	DAA438JB-V1	Skirt Panel, inclined section. Length per spec.	Outdoor
46	DAA438JB-V2	Skirt Panel, inclined section. Length per spec.	
47	DAA438JB-V3	Skirt Panel, inclined section, Length per spec.	Indoor
48	DAA438JB-V4	Skirt Panel, inclined section, Length per spec.	
48A	DAA438JB-V5	Skirt Panel, inclined section. Length per spec.	Outdoor
48B	DAA438JB-V6	Skirt Panel, inclined section. Length per spec.	
48C	DAA438JB-V7	Skirt Panel, inclined section, Length per spec.	Indoor
48D	DAA438JB-V8	Skirt Panel, inclined section, Length per spec.	
48E	DAA438JB-V9	Skirt Panel, inclined section. Length per spec.	Outdoor
48F	DAA438JB-V10	Skirt Panel, inclined section. Length per spec.	
48G	DAA438JB-V11	Skirt Panel, inclined section, Length per spec.	Indoor
48H	DAA438JB-V12	Skirt Panel, inclined section, Length per spec.	
48I	DAA438JB-V13	Skirt Panel, inclined section. Length per spec.	Outdoor
48J	DAA438JB-V14	Skirt Panel, inclined section. Length per spec.	
48K	DAA438JB-V15	Skirt Panel, inclined section, Length per spec.	Indoor
48L	DAA438JB-V16	Skirt Panel, inclined section, Length per spec.	

Opaque Balustrade Skirt Panel

OPAQUE SKIRT PANEL, LOW FRICTION COATING TRANSPARENT, FOR EN115:2008
FOR 515NPE-S 30°, 515NPE-L 30° & 35°

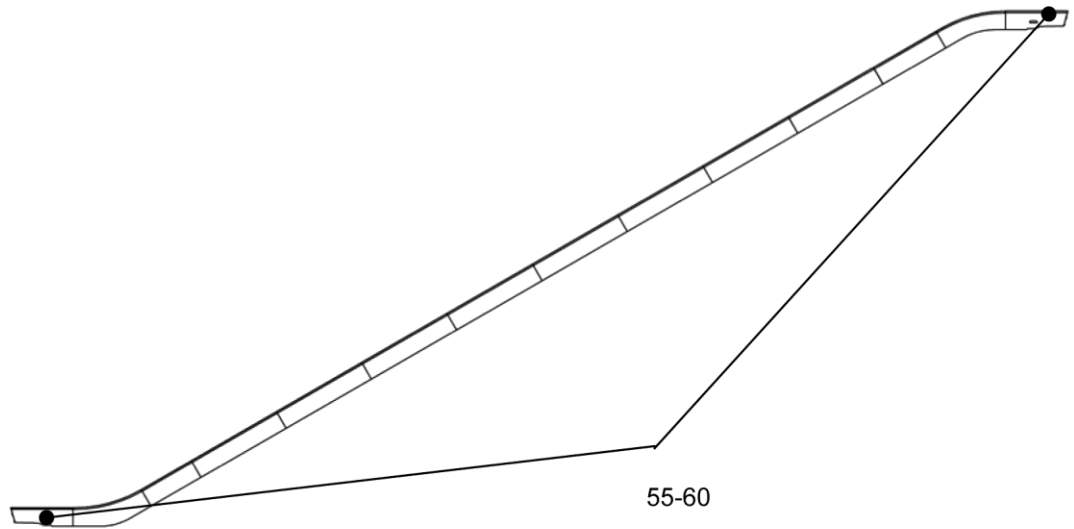


Upper Landing = U.L.
Lower Landing = L.L.

DAA26227H		
REF. No.	PART No.	DESCRIPTION
49	DAA438HW25	First skirt panel, U.L. left side & L.L. right side, w/ comb lighting, 2 flat step
50	DAA438HW26	First skirt panel, U.L. right side & L.L. left side, w/ comb lighting, 2 flat step
51	DAA438HW29	First skirt panel, U.L. left side & L.L. right side, w/ comb lighting, 3 flat step
52	DAA438HW30	First skirt panel, U.L. right side & L.L. left side, w/ comb lighting, 3 flat step
53	DAA438HW33	First skirt panel, U.L. left side & L.L. right side, w/ comb lighting, 4 flat step
54	DAA438HW34	First skirt panel, U.L. right side & L.L. left side, w/ comb lighting, 4 flat step

Opaque Balustrade Skirt Panel

OPAQUE SKIRT PANEL, LOW FRICTION COATING TRANSPARENT, FOR EN115:2008
FOR 515NPE-S 30°, 515NPE-L 30° & 35°

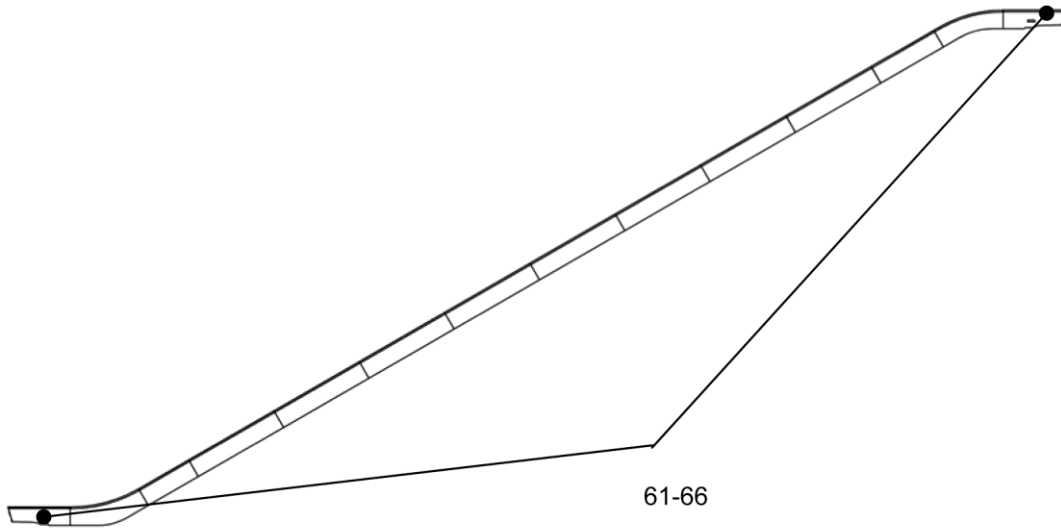


Upper Landing = U.L.
Lower Landing = L.L.

DAA26227H		
REF. No.	PART No.	DESCRIPTION
55	DAA438HW27	First skirt panel, U.L. left side & L.L. right side, w/o comb lighting, 2 flat step
56	DAA438HW28	First skirt panel, U.L. right side & L.L. left side, w/o comb lighting, 2 flat step
57	DAA438HW31	First skirt panel, U.L. left side & L.L. right side, w/o comb lighting, 3 flat step
58	DAA438HW32	First skirt panel, U.L. right side & L.L. left side, w/o comb lighting, 3 flat step
59	DAA438HW35	First skirt panel, U.L. left side & L.L. right side, w/o comb lighting, 4 flat step
60	DAA438HW36	First skirt panel, U.L. right side & L.L. left side, w/o comb lighting, 4 flat step

Opaque Balustrade Skirt Panel

OPAQUE SKIRT PANEL, LOW FRICATION COATING BLACK, FOR EN115:2008
FOR 515NPE-S 30°, 515NPE-L 30° & 35°

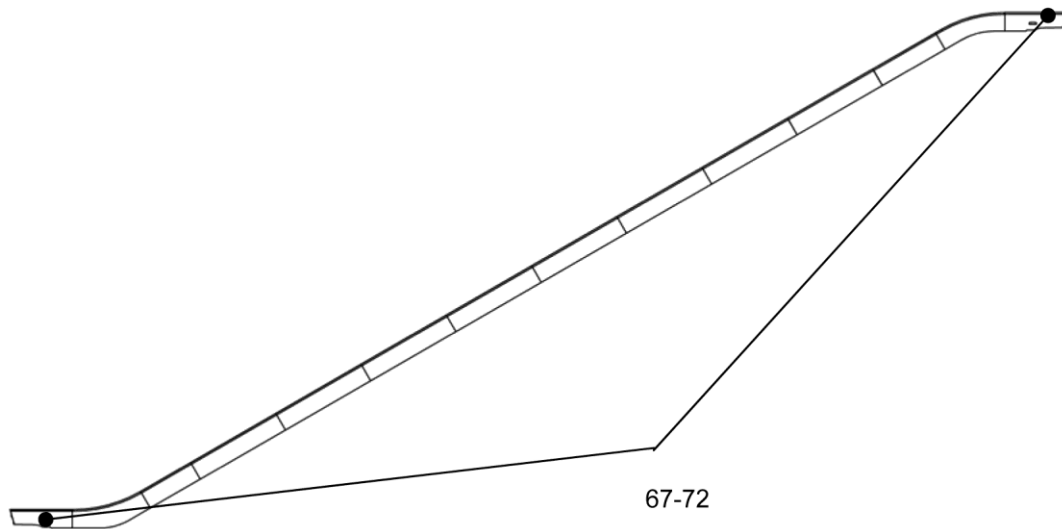


Upper Landing = U.L.
Lower Landing = L.L.

DAA26227H		
REF. No.	PART No.	DESCRIPTION
61	DAA438HW37	First skirt panel, U.L. left side & L.L. right side, w/ comb lighting, 2 flat step
62	DAA438HW38	First skirt panel, U.L. right side & L.L. left side, w/ comb lighting, 2 flat step
63	DAA438HW41	First skirt panel, U.L. left side & L.L. right side, w/ comb lighting, 3 flat step
64	DAA438HW42	First skirt panel, U.L. right side & L.L. left side, w/ comb lighting, 3 flat step
65	DAA438HW45	First skirt panel, U.L. left side & L.L. right side, w/ comb lighting, 4 flat step
66	DAA438HW46	First skirt panel, U.L. right side & L.L. left side, w/ comb lighting, 4 flat step

Opaque Balustrade Skirt Panel

**OPAQUE SKIRT PANEL, LOW FRICATION COATING BLACK, FOR EN115:2008
FOR 515NPE-S 30°, 515NPE-L 30° & 35°**

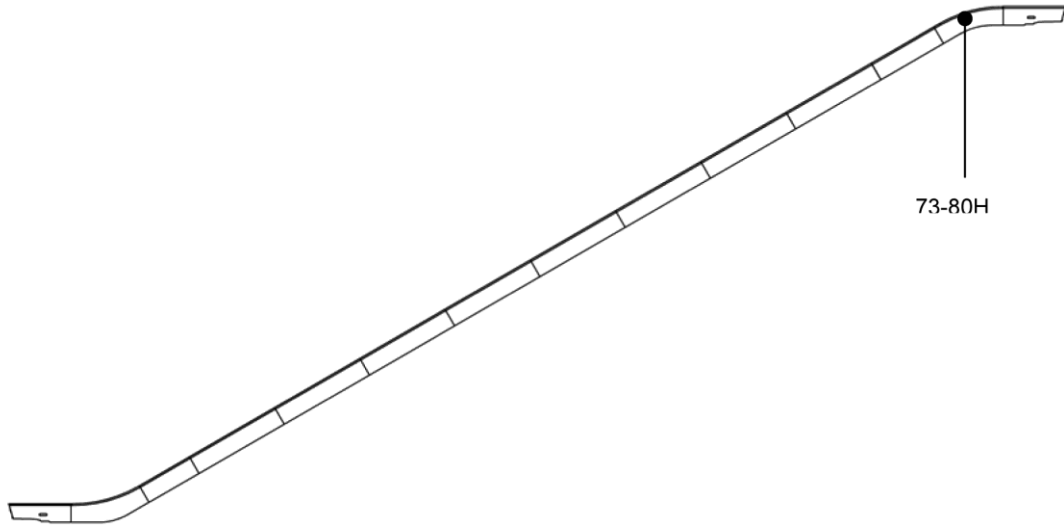


Upper Landing = U.L.
Lower Landing = L.L.

DAA26227H		
REF. No.	PART No.	DESCRIPTION
67	DAA438HW39	First skirt panel, U.L. left side & L.L. right side, w/o comb lighting, 2 flat step
68	DAA438HW40	First skirt panel, U.L. right side & L.L. left side, w/o comb lighting, 2 flat step
69	DAA438HW43	First skirt panel, U.L. left side & L.L. right side, w/o comb lighting, 3 flat step
70	DAA438HW44	First skirt panel, U.L. right side & L.L. left side, w/o comb lighting, 3 flat step
71	DAA438HW47	First skirt panel, U.L. left side & L.L. right side, w/o comb lighting, 4 flat step
72	DAA438HW48	First skirt panel, U.L. right side & L.L. left side, w/o comb lighting, 4 flat step

Opaque Balustrade Skirt Panel

OPAQUE SKIRT PANEL, LOW FRICTION, FOR EN115:2008
FOR 515NPE-S 30° & 515NPE-L 30°



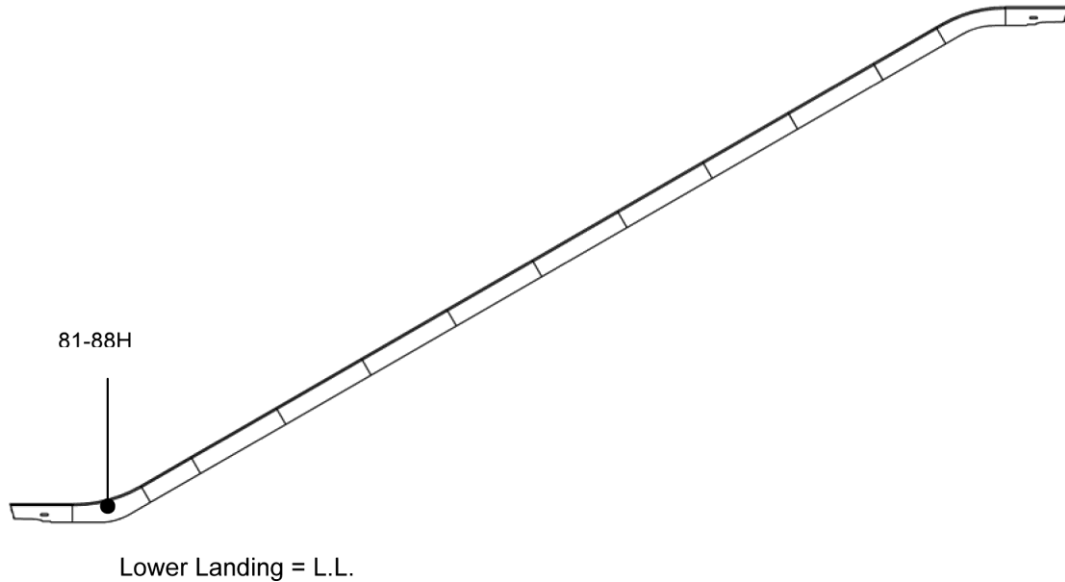
Upper Landing = U.L.

DAA26227H

REF. No.	PART No.	DESCRIPTION	Type
73	DAA438HY5	Curve Skirt Panel, U.L. left side, coating transparent	515NPE-S
74	DAA438HY6	Curve Skirt Panel, U.L. right side, coating transparent	
75	DAA438HY7	Curve Skirt Panel, U.L. left side, coating black	
76	DAA438HY8	Curve Skirt Panel, U.L. right side, coating black	
77	DAA438JM5	Curve Skirt Panel, U.L. left side, coating transparent	515NPE-L
78	DAA438JM6	Curve Skirt Panel, U.L. right side, coating transparent	
79	DAA438JM7	Curve Skirt Panel, U.L. left side, coating black	
80	DAA438JM8	Curve Skirt Panel, U.L. right side, coating black	
80A	DAA438HY13	Curve Skirt Panel, U.L. left side, coating transparent, w/ ETA	515NPE-S
80B	DAA438HY14	Curve Skirt Panel, U.L. right side, coating transparent, w/ ETA	
80C	DAA438HY15	Curve Skirt Panel, U.L. left side, coating black, w/ ETA	
80D	DAA438HY16	Curve Skirt Panel, U.L. right side, coating black, w/ ETA	
80E	DAA438JM13	Curve Skirt Panel, U.L. left side, coating transparent, w/ ETA	515NPE-L
80F	DAA438JM14	Curve Skirt Panel, U.L. right side, coating transparent, w/ ETA	
80G	DAA438JM15	Curve Skirt Panel, U.L. left side, coating black, w/ ETA	
80H	DAA438JM16	Curve Skirt Panel, U.L. right side, coating black, w/ ETA	

Opaque Balustrade Skirt Panel

OPAQUE SKIRT PANEL, LOW FRICTION, FOR EN115:2008
FOR 515NPE-S 30°, 515NPE-L 30°

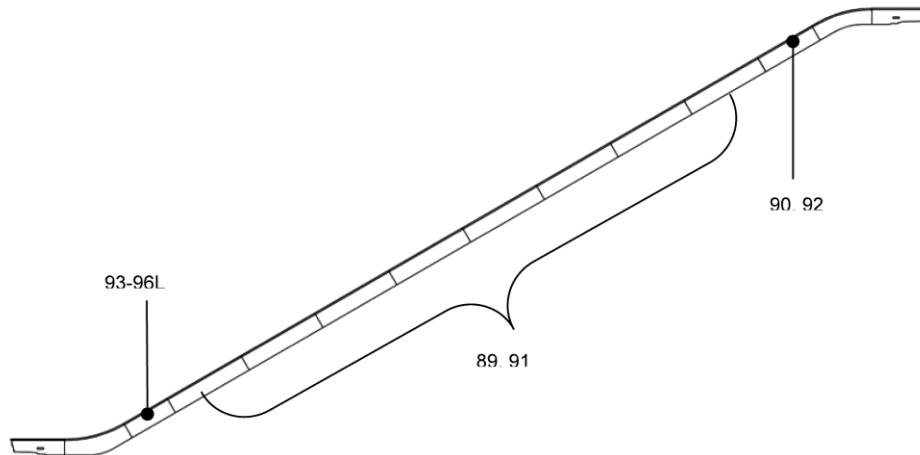


DAA26227H

REF. No.	PART No.	DESCRIPTION	Type
81	DAA438HZ5	Curve Skirt Panel, L.L. left side, coating transparent	515NPE-S
82	DAA438HZ6	Curve Skirt Panel, L.L. right side, coating transparent	
83	DAA438HZ7	Curve Skirt Panel, L.L. left side, coating black	
84	DAA438HZ8	Curve Skirt Panel, L.L. right side, coating black	
85	DAA438JN5	Curve Skirt Panel, L.L. left side, coating transparent	515NPE-L
86	DAA438JN6	Curve Skirt Panel, L.L. right side, coating transparent	
87	DAA438JN7	Curve Skirt Panel, L.L. left side, coating black	
88	DAA438JN8	Curve Skirt Panel, L.L. right side, coating black	
88A	DAA438HZ13	Curve Skirt Panel, L.L. left side, coating transparent, w/ ETA	515NPE-S
88B	DAA438HZ14	Curve Skirt Panel, L.L. right side, coating transparent, w/ ETA	
88C	DAA438HZ15	Curve Skirt Panel, L.L. left side, coating black, w/ ETA	
88D	DAA438HZ16	Curve Skirt Panel, L.L. right side, coating black, w/ ETA	
88E	DAA438JN13	Curve Skirt Panel, L.L. left side, coating transparent, w/ ETA	515NPE-L
88F	DAA438JN14	Curve Skirt Panel, L.L. right side, coating transparent, w/ ETA	
88G	DAA438JN15	Curve Skirt Panel, L.L. left side, coating black, w/ ETA	
88H	DAA438JN16	Curve Skirt Panel, L.L. right side, coating black, w/ ETA	

57-DAA26227H**512NCE / 515NPE-S / 515NP-L****Opaque Balustrade Skirt Panel**

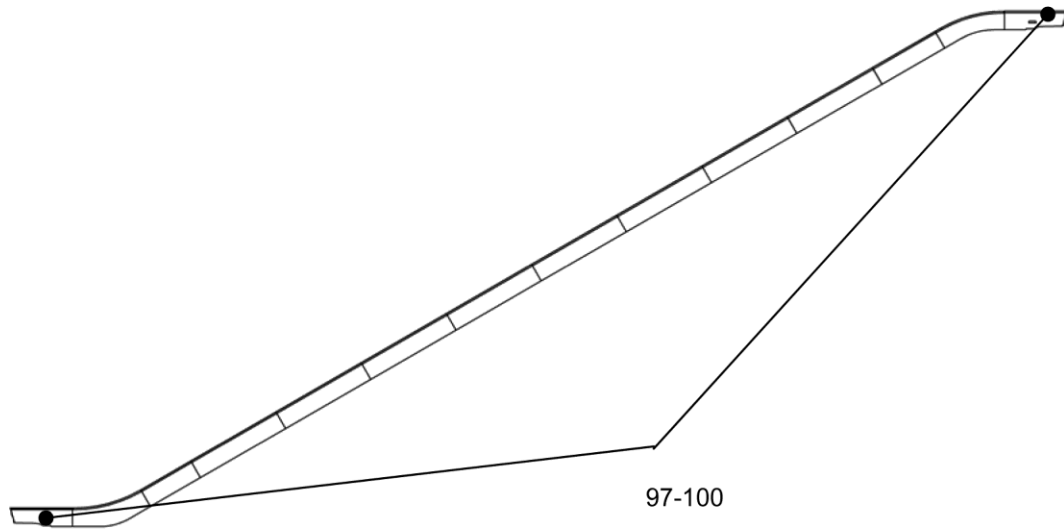
OPAQUE SKIRT PANEL FOR EN115:2008 & ANSI, 30° & 35°



DAA26227H		
REF. No.	PART No.	DESCRIPTION
89	DAA438MK1	Skirt Panel, inclined section, coating black. Length: 1980mm
	DAA438MK5	Skirt Panel, inclined section, coating black. Length: 2960mm
90	DAA438MK2	Skirt Panel, inclined section, coating black. Length: 1455.5mm
91	DAA438MK3	Skirt Panel, inclined section, coating transparent. Length: 1980mm
	DAA438MK6	Skirt Panel, inclined section, coating transparent. Length: 2960mm
92	DAA438MK4	Skirt Panel, inclined section, coating transparent. Length: 1455.5mm
93	DAA438MK-V1	Skirt Panel, inclined section, coating black. Length per spec.
94	DAA438MK-V2	Skirt Panel, inclined section, coating black. Length per spec.
95	DAA438MK-V3	Skirt Panel, inclined section, coating transparent. Length per spec.
96	DAA438MK-V4	Skirt Panel, inclined section, coating transparent. Length per spec.
96A	DAA438MK-V5	Skirt Panel, inclined section, coating black. Length per spec.
96B	DAA438MK-V6	Skirt Panel, inclined section, coating black. Length per spec.
96C	DAA438MK-V7	Skirt Panel, inclined section, coating transparent. Length per spec.
96D	DAA438MK-V8	Skirt Panel, inclined section, coating transparent. Length per spec.
96E	DAA438MK-V9	Skirt Panel, inclined section, coating black. Length per spec.
96F	DAA438MK-V10	Skirt Panel, inclined section, coating black. Length per spec.
96G	DAA438MK-V11	Skirt Panel, inclined section, coating transparent. Length per spec.
96H	DAA438MK-V12	Skirt Panel, inclined section, coating transparent. Length per spec.
96I	DAA438MK-V13	Skirt Panel, inclined section, coating black. Length per spec.
96J	DAA438MK-V14	Skirt Panel, inclined section, coating black. Length per spec.
96K	DAA438MK-V15	Skirt Panel, inclined section, coating transparent. Length per spec.
96L	DAA438MK-V16	Skirt Panel, inclined section, coating transparent. Length per spec.

Opaque Balustrade Skirt Panel

LOW FRICTION COATING BLACK, FOR ANSI

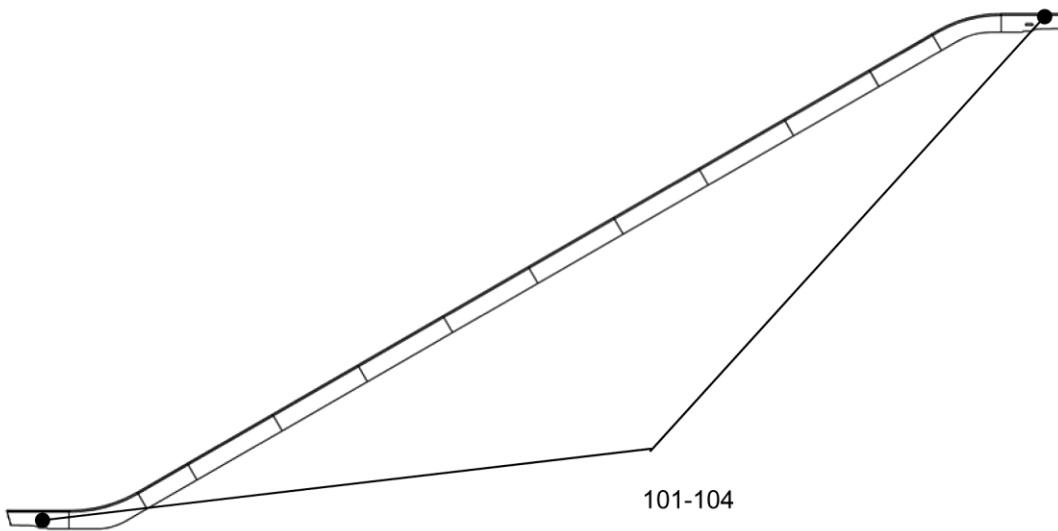


Upper Landing = U.L.
Lower Landing = L.L.

DAA26227H		
REF. No.	PART No.	DESCRIPTION
97	DAA438MG1	First skirt panel, U.L. left side & L.L. right side, w/ comb lighting, 2 flat step
98	DAA438MG2	First skirt panel, U.L. right side & L.L. left side, w/ comb lighting, 2 flat step
99	DAA438MG5	First skirt panel, U.L. left side & L.L. right side, w/ comb lighting, 3 flat step
100	DAA438MG6	First skirt panel, U.L. right side & L.L. left side, w/ comb lighting, 3 flat step

Opaque Balustrade Skirt Panel

LOW FRICTION COATING BLACK, FOR ANSI



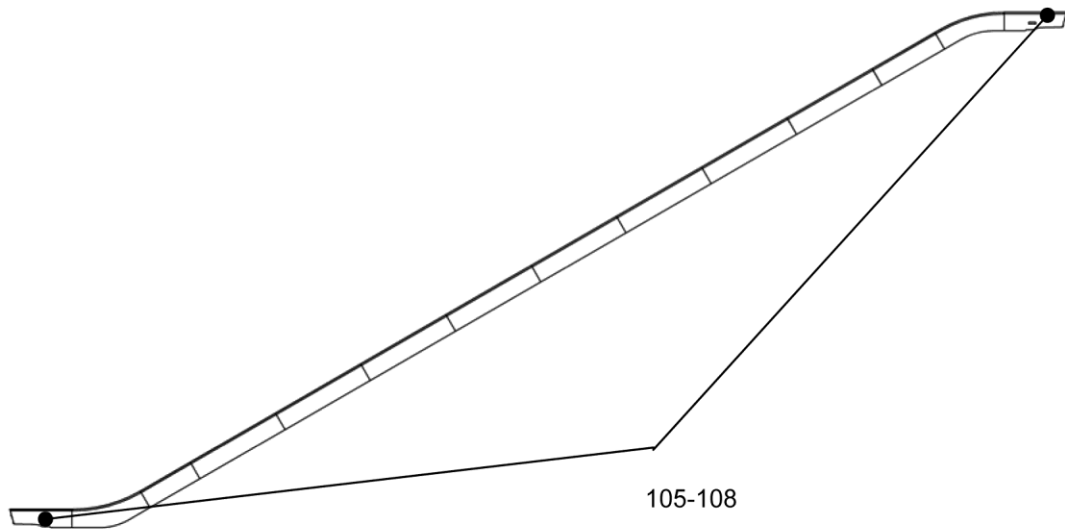
Upper Landing = U.L.

Lower Landing = L.L.

DAA26227H		
REF. No.	PART No.	DESCRIPTION
101	DAA438MG3	First skirt panel, U.L. left side & L.L. right side, w/o comb lighting, 2 flat step
102	DAA438MG4	First skirt panel, U.L. right side & L.L. left side, w/o comb lighting, 2 flat step
103	DAA438MG7	First skirt panel, U.L. left side & L.L. right side, w/o comb lighting, 3 flat step
104	DAA438MG8	First skirt panel, U.L. right side & L.L. left side, w/o comb lighting, 3 flat step

Opaque Balustrade Skirt Panel

LOW FRICATION COATING TRANSPARENT, FOR ANSI



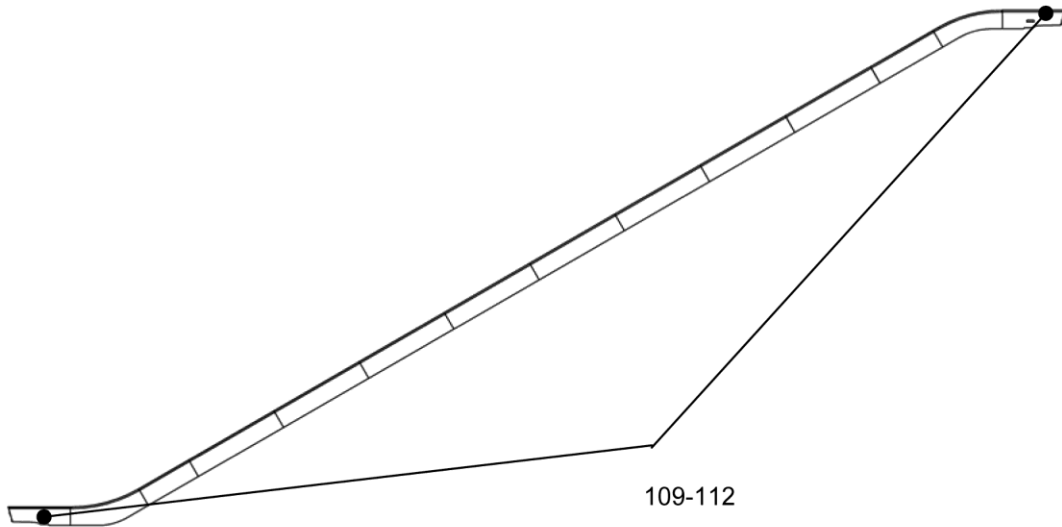
Upper Landing = U.L.

Lower Landing = L.L.

DAA26227H		
REF. No.	PART No.	DESCRIPTION
105	DAA438MG9	First skirt panel, U.L. left side & L.L. right side, w/ comb lighting, 2 flat step
106	DAA438MG10	First skirt panel, U.L. right side & L.L. left side, w/ comb lighting, 2 flat step
107	DAA438MG13	First skirt panel, U.L. left side & L.L. right side, w/ comb lighting, 3 flat step
108	DAA438MG14	First skirt panel, U.L. right side & L.L. left side, w/ comb lighting, 3 flat step

Opaque Balustrade Skirt Panel

LOW FRICATION COATING TRANSPARENT, FOR ANSI

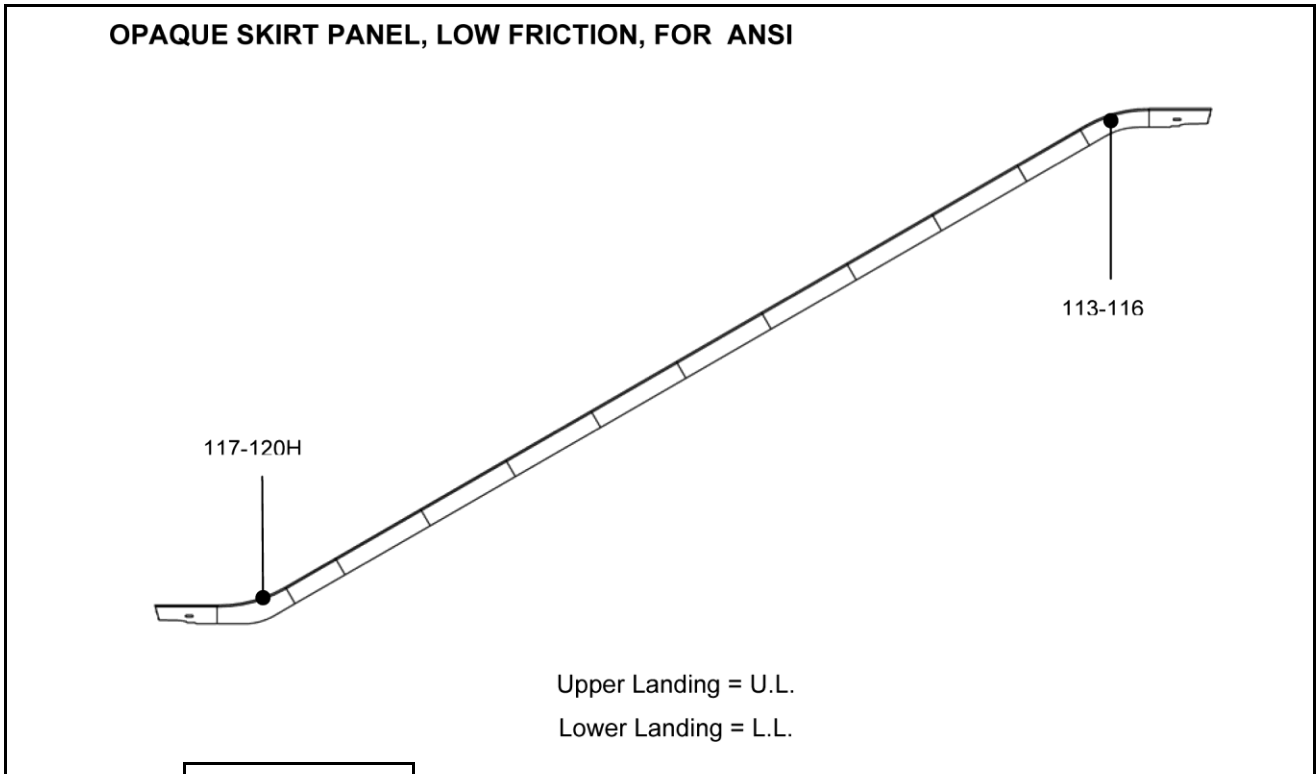


Upper Landing = U.L.

Lower Landing = L.L.

DAA26227H		
REF. No.	PART No.	DESCRIPTION
109	DAA438MG11	First skirt panel, U.L. left side & L.L. right side, w/o comb lighting, 2 flat step
110	DAA438MG12	First skirt panel, U.L. right side & L.L. left side, w/o comb lighting, 2 flat step
111	DAA438MG15	First skirt panel, U.L. left side & L.L. right side, w/o comb lighting, 3 flat step
112	DAA438MG16	First skirt panel, U.L. right side & L.L. left side, w/o comb lighting, 3 flat step

Opaque Balustrade Skirt Panel

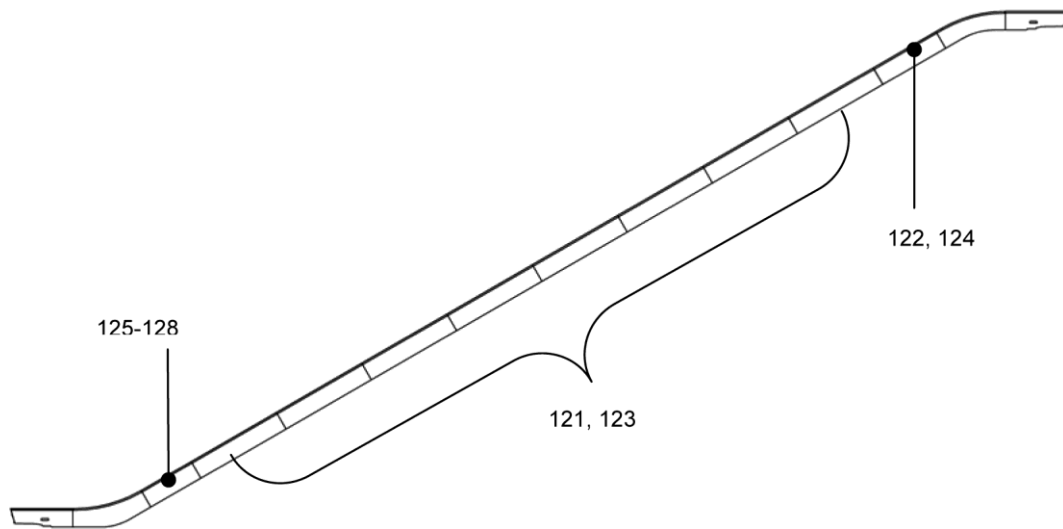


DAA26227H		
REF. No.	PART No.	DESCRIPTION
113	DAA438MH1	Curve Skirt Panel, U.L. left side, coating black
114	DAA438MH2	Curve Skirt Panel, U.L. right side, coating black
115	DAA438MH3	Curve Skirt Panel, U.L. left side, coating transparent
116	DAA438MH4	Curve Skirt Panel, U.L. right side, coating transparent
117	DAA438MJ1	Curve Skirt Panel, L.L. left side, coating black
118	DAA438MJ2	Curve Skirt Panel, L.L. right side, coating black
119	DAA438MJ3	Curve Skirt Panel, L.L. left side, coating transparent
120	DAA438MJ4	Curve Skirt Panel, L.L. right side, coating transparent
120A	DAA438MH5	Curve Skirt Panel, U.L. left side, coating black, w/ ETA
120B	DAA438MH6	Curve Skirt Panel, U.L. right side, coating black, w/ ETA
120C	DAA438MH7	Curve Skirt Panel, U.L. left side, coating transparent, w/ ETA
120D	DAA438MH8	Curve Skirt Panel, U.L. right side, coating transparent, w/ ETA
120E	DAA438MJ5	Curve Skirt Panel, L.L. left side, coating black, w/ ETA
120F	DAA438MJ6	Curve Skirt Panel, L.L. right side, coating black, w/ ETA
120G	DAA438MJ7	Curve Skirt Panel, L.L. left side, coating transparent, w/ ETA
120H	DAA438MJ8	Curve Skirt Panel, L.L. right side, coating transparent, w/ ETA

Opaque Balustrade Skirt Panel

OPAQUE SKIRT PANEL FOR ANSI

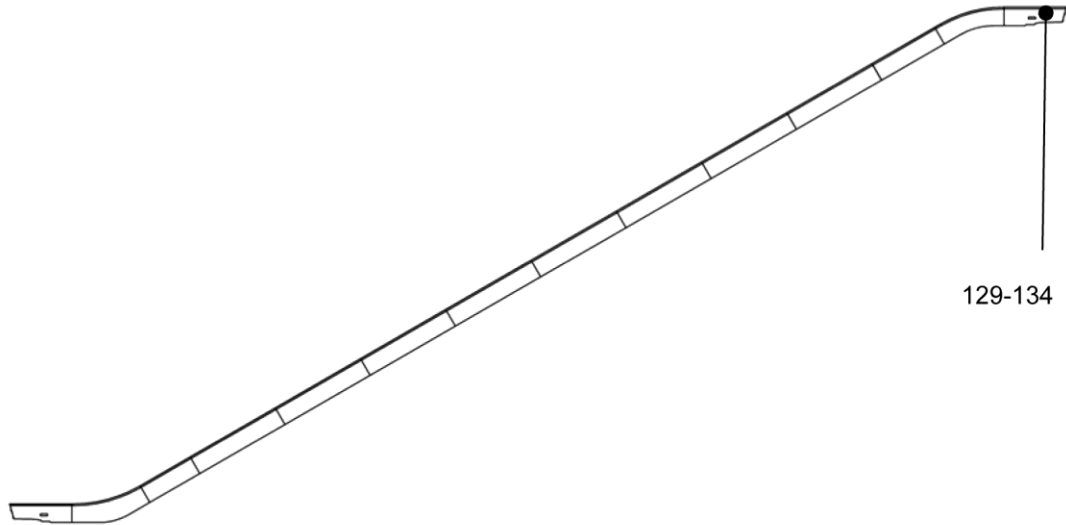
SEE PAGE 16



DAA26227H		
REF. No.	PART No.	DESCRIPTION
121	DAA438MK1	Skirt Panel, inclined section, coating black. Length: 1980mm
122	DAA438MK2	Skirt Panel, inclined section, coating black. Length: 1455.5mm
123	DAA438MK3	Skirt Panel, inclined section, coating transparent. Length: 1980mm
124	DAA438MK4	Skirt Panel, inclined section, coating transparent. Length: 1455.5mm
125	DAA438MK-V1	Skirt Panel, inclined section, coating black. Length per spec.
126	DAA438MK-V2	Skirt Panel, inclined section, coating black. Length per spec.
127	DAA438MK-V3	Skirt Panel, inclined section, coating transparent. Length per spec.
128	DAA438MK-V4	Skirt Panel, inclined section, coating transparent. Length per spec.

Opaque Balustrade Skirt Panel

OPAQUE SKIRT PANEL, ST. ST. G2 HAIRLINE, FOR EN115:1995 / GB16899:1997,
FOR 515NPE-S 35°

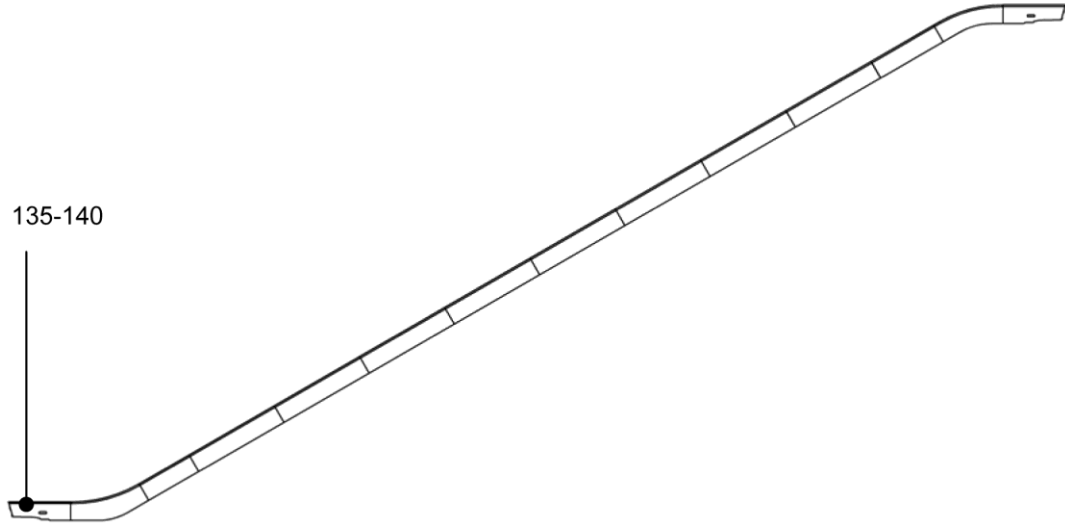


Upper Landing = U.L.

DAA26227H			
REF. No.	PART No.	DESCRIPTION	LOCATED
129	DAA438MT1	First skirt panel, U.L. left side, w/ comb lighting For 2 flat step	Outdoor
130	DAA438MT2	First skirt panel, U.L. right side, w/ comb lighting For 2 flat step	
131	DAA438MT5	First skirt panel, U.L. left side, w/ comb lighting For 3 flat step	
132	DAA438MT6	First skirt panel, U.L. right side, w/ comb lighting For 3 flat step	
133	DAA438MT9	First skirt panel, U.L. left side, w/ comb lighting For 4 flat step	
134	DAA438MT10	First skirt panel, U.L. right side, w/ comb lighting For 4 flat step	

Opaque Balustrade Skirt Panel

OPAQUE SKIRT PANEL, ST. ST. G2 HAIRLINE, FOR EN115:1995 / GB16899:1997
FOR 515NPE-S 35°

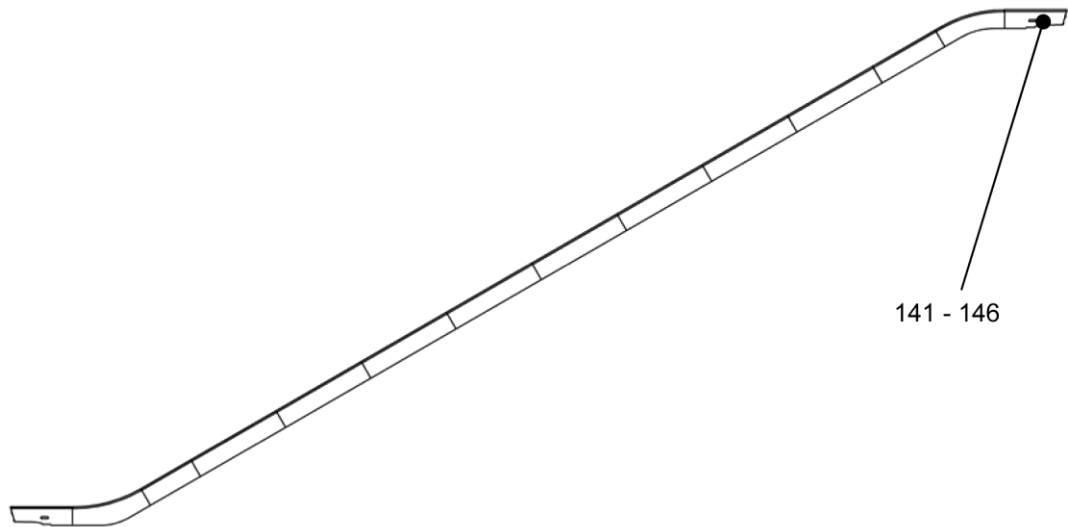


Lower Landing = L.L.

DAA26227H			
REF. No.	PART No.	DESCRIPTION	LOCATED
135	DAA438MT50	First skirt panel, L.L. left side, w/ comb lighting For 2 flat step	Outdoor
136	DAA438MT49	First skirt panel, L.L. right side, w/ comb lighting For 2 flat step	
137	DAA438MT54	First skirt panel, L.L. left side, w/ comb lighting For 3 flat step	
138	DAA438MT53	First skirt panel, L.L. right side, w/ comb lighting For 3 flat step	
139	DAA438MT58	First skirt panel, L.L. left side, w/ comb lighting For 4 flat step	
140	DAA438MT57	First skirt panel, L.L. right side, w/ comb lighting For 4 flat step	

Opaque Balustrade Skirt Panel

OPAQUE SKIRT PANEL, ST. ST. G2 HAIRLINE, FOR EN115:1995 / GB16899:1997
FOR 515NPE-S 35°

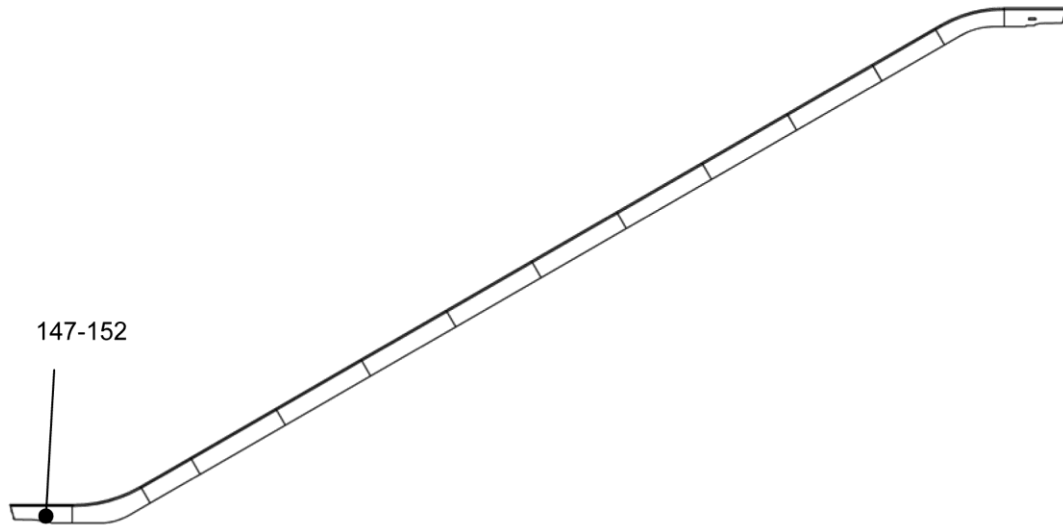


Upper Landing = U.L.

DAA26227H			
REF. No.	PART No.	DESCRIPTION	LOCATED
141	DAA438MT3	First skirt panel, U.L. left side, w/o comb lighting For 2 flat step	Outdoor
142	DAA438MT4	First skirt panel, U.L. right side, w/o comb lighting For 2 flat step	
143	DAA438MT7	First skirt panel, U.L. left side, w/o comb lighting For 3 flat step	
144	DAA438MT8	First skirt panel, U.L. right side, w/o comb lighting For 3 flat step	
145	DAA438MT11	First skirt panel, U.L. left side, w/o comb lighting For 4 flat step	
146	DAA438MT12	First skirt panel, U.L. right side, w/o comb lighting For 4 flat step	

Opaque Balustrade Skirt Panel

OPAQUE SKIRT PANEL, ST. ST. G2 HAIRLINE, FOR EN115:1995 / GB16899:1997
FOR 515NPE-S 35°

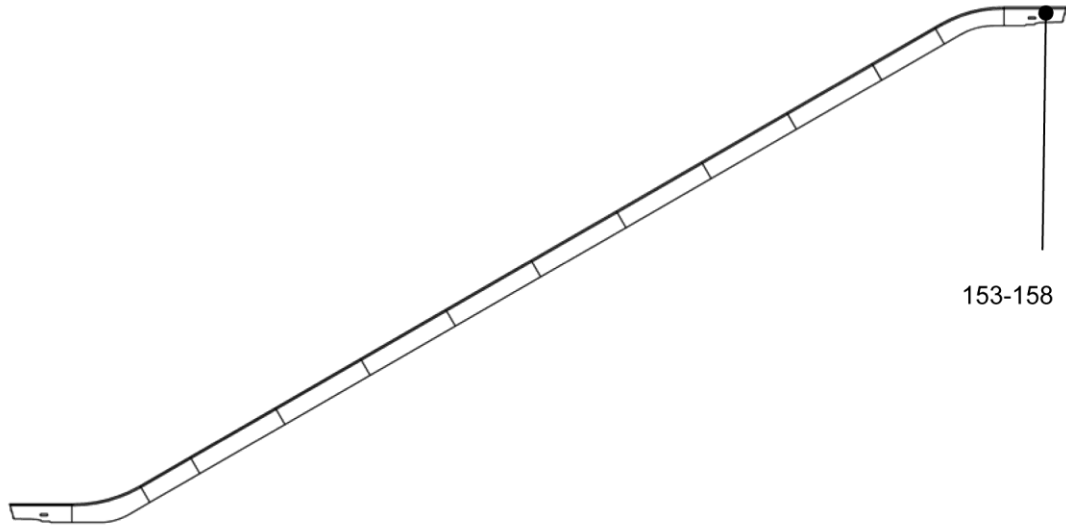


Lower Landing = L.L.

DAA26227H			
REF. No.	PART No.	DESCRIPTION	LOCATED
147	DAA438MT52	First skirt panel, L.L. left side, w/o comb lighting For 2 flat step	Outdoor
148	DAA438MT51	First skirt panel, L.L. right side, w/o comb lighting For 2 flat step	
149	DAA438MT56	First skirt panel, L.L. left side, w/o comb lighting For 3 flat step	
150	DAA438MT55	First skirt panel, L.L. right side, w/o comb lighting For 3 flat step	
151	DAA438MT60	First skirt panel, L.L. left side, w/o comb lighting For 4 flat step	
152	DAA438MT59	First skirt panel, L.L. right side, w/o comb lighting For 4 flat step	

Opaque Balustrade Skirt Panel

OPAQUE SKIRT PANEL, ST. ST. G2 HAIRLINE, FOR EN115:1995 / GB16899:1997,
FOR 515NPE-S 35°

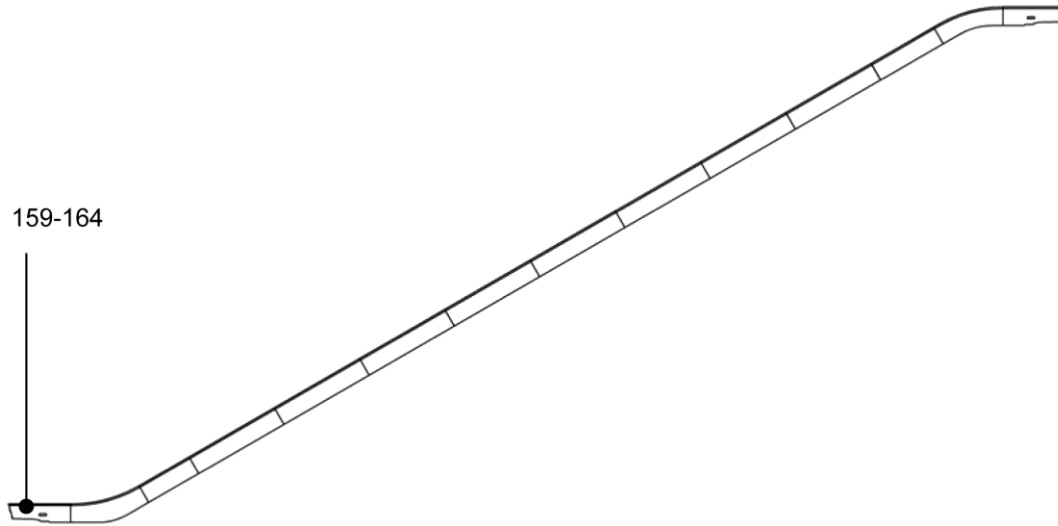


Upper Landing = U.L.

DAA26227H			
REF. No.	PART No.	DESCRIPTION	LOCATED
153	DAA438MT13	First skirt panel, U.L. left side, w/ comb lighting For 2 flat step	Indoor
154	DAA438MT14	First skirt panel, U.L. right side, w/ comb lighting For 2 flat step	
155	DAA438MT17	First skirt panel, U.L. left side, w/ comb lighting For 3 flat step	
156	DAA438MT18	First skirt panel, U.L. right side, w/ comb lighting For 3 flat step	
157	DAA438MT21	First skirt panel, U.L. left side, w/ comb lighting For 4 flat step	
158	DAA438MT22	First skirt panel, U.L. right side, w/ comb lighting For 4 flat step	

Opaque Balustrade Skirt Panel

OPAQUE SKIRT PANEL, ST. ST. G2 HAIRLINE, FOR EN115:1995 / GB16899:1997
FOR 515NPE-S 35°

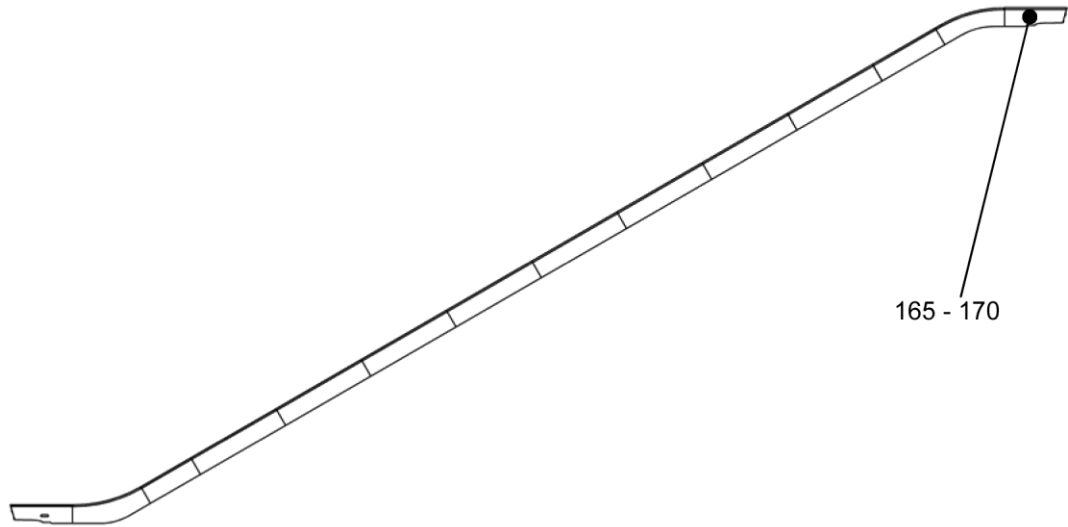


Lower Landing = L.L.

DAA26227H			
REF. No.	PART No.	DESCRIPTION	LOCATED
159	DAA438MT62	First skirt panel, L.L. left side, w/ comb lighting For 2 flat step	Indoor
160	DAA438MT61	First skirt panel, L.L. right side, w/ comb lighting For 2 flat step	
161	DAA438MT66	First skirt panel, L.L. left side, w/ comb lighting For 3 flat step	
162	DAA438MT65	First skirt panel, L.L. right side, w/ comb lighting For 3 flat step	
163	DAA438MT70	First skirt panel, L.L. left side, w/ comb lighting For 4 flat step	
164	DAA438MT69	First skirt panel, L.L. right side, w/ comb lighting For 4 flat step	

Opaque Balustrade Skirt Panel

OPAQUE SKIRT PANEL, ST. ST. G2 HAIRLINE, FOR EN115:1995 / GB16899:1997
FOR 515NPE-S 35°

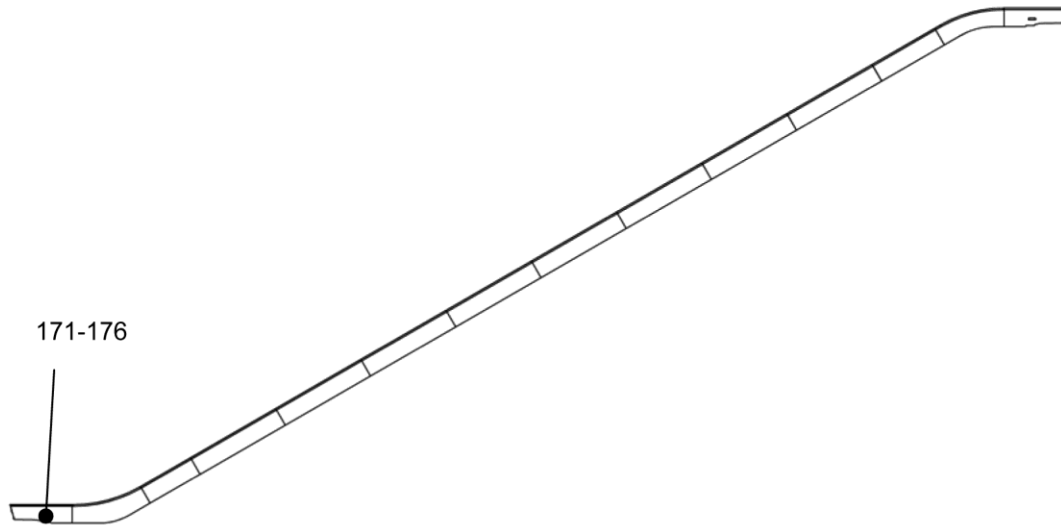


Upper Landing = U.L.

DAA26227H			
REF. No.	PART No.	DESCRIPTION	LOCATED
165	DAA438MT15	First skirt panel, U.L. left side, w/o comb lighting For 2 flat step	Indoor
166	DAA438MT16	First skirt panel, U.L. right side, w/o comb lighting For 2 flat step	
167	DAA438MT19	First skirt panel, U.L. left side, w/o comb lighting For 3 flat step	
168	DAA438MT20	First skirt panel, U.L. right side, w/o comb lighting For 3 flat step	
169	DAA438MT23	First skirt panel, U.L. left side, w/o comb lighting For 4 flat step	
170	DAA438MT24	First skirt panel, U.L. right side, w/o comb lighting For 4 flat step	

Opaque Balustrade Skirt Panel

OPAQUE SKIRT PANEL, ST. ST. G2 HAIRLINE, FOR EN115:1995
FOR 515NPE-S 35°

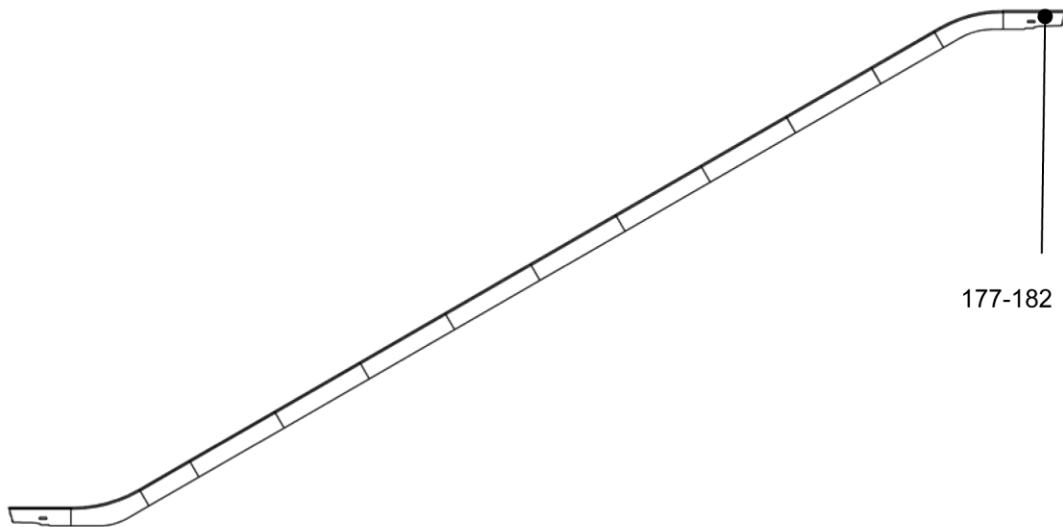


Lower Landing = L.L.

DAA26227H			
REF. No.	PART No.	DESCRIPTION	LOCATED
171	DAA438MT64	First skirt panel, L.L. left side, w/o comb lighting For 2 flat step	Indoor
172	DAA438MT63	First skirt panel, L.L. right side, w/o comb lighting For 2 flat step	
173	DAA438MT68	First skirt panel, L.L. left side, w/o comb lighting For 3 flat step	
174	DAA438MT67	First skirt panel, L.L. right side, w/o comb lighting For 3 flat step	
175	DAA438MT72	First skirt panel, L.L. left side, w/o comb lighting For 4 flat step	
176	DAA438MT71	First skirt panel, L.L. right side, w/o comb lighting For 4 flat step	

Opaque Balustrade Skirt Panel

**OPAQUE SKIRT PANEL, LOW FRICTION COATING, FOR EN115:2008
FOR 515NPE-S 35°**

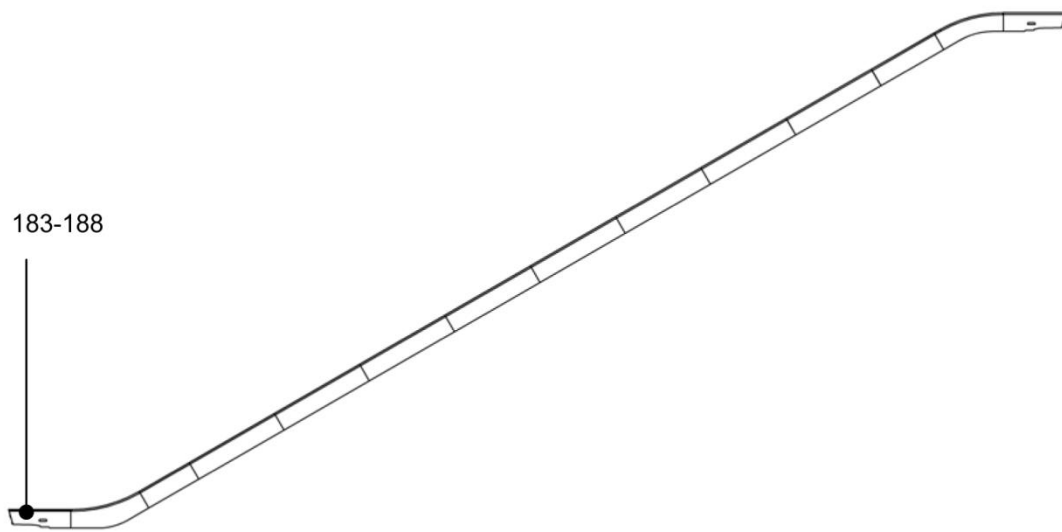


Upper Landing = U.L.

DAA26227H		
REF. No.	PART No.	DESCRIPTION
177	DAA438MT25	First skirt panel, transparent, U.L. left side, w/ comb lighting. For 2 flat step
178	DAA438MT26	First skirt panel, transparent, U.L. right side, w/ comb lighting. For 2 flat step
179	DAA438MT29	First skirt panel, transparent, U.L. left side, w/ comb lighting. For 3 flat step
180	DAA438MT30	First skirt panel, transparent, U.L. right side, w/ comb lighting. For 3 flat step
181	DAA438MT33	First skirt panel, transparent, U.L. left side, w/ comb lighting. For 4 flat step
182	DAA438MT34	First skirt panel, transparent, U.L. right side, w/ comb lighting. For 4 flat step

Opaque Balustrade Skirt Panel

OPAQUE SKIRT PANEL, LOW FRICTION COATING, FOR EN115:2008
FOR 515NPE-S 35°

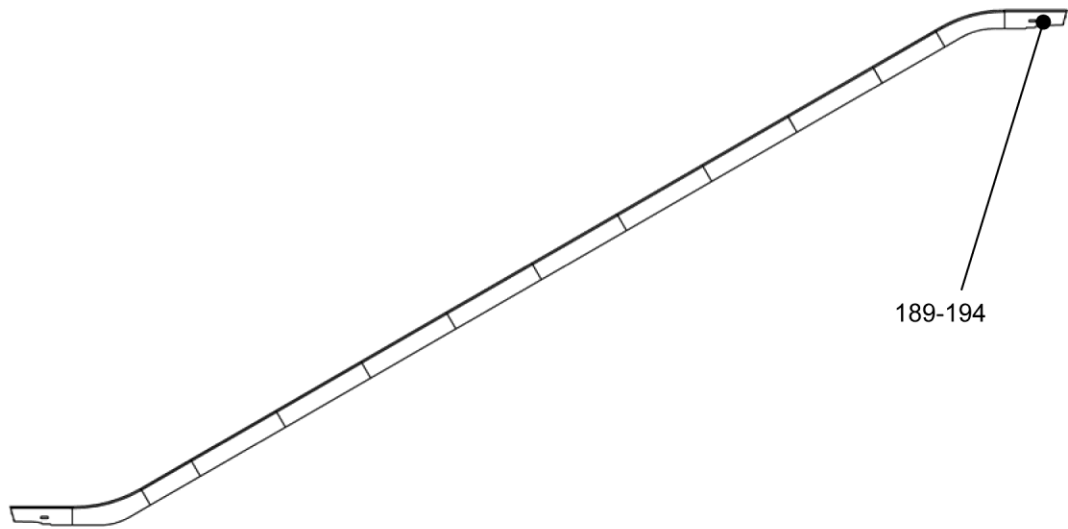


Lower Landing = L.L.

DAA26227H		
REF. No.	PART No.	DESCRIPTION
183	DAA438MT74	First skirt panel, transparent, L.L. left side, w/ comb lighting. For 2 flat step
184	DAA438MT73	First skirt panel, transparent, L.L. right side, w/ comb lighting. For 2 flat step
185	DAA438MT78	First skirt panel, transparent, L.L. left side, w/ comb lighting. For 3 flat step
186	DAA438MT77	First skirt panel, transparent, L.L. right side, w/ comb lighting. For 3 flat step
187	DAA438MT82	First skirt panel, transparent, L.L. left side, w/ comb lighting. For 4 flat step
188	DAA438MT81	First skirt panel, transparent, L.L. right side, w/ comb lighting. For 4 flat step

Opaque Balustrade Skirt Panel

OPAQUE SKIRT PANEL, LOW FRICTION COATING, FOR EN115:2008
FOR 515NPE-S 35°

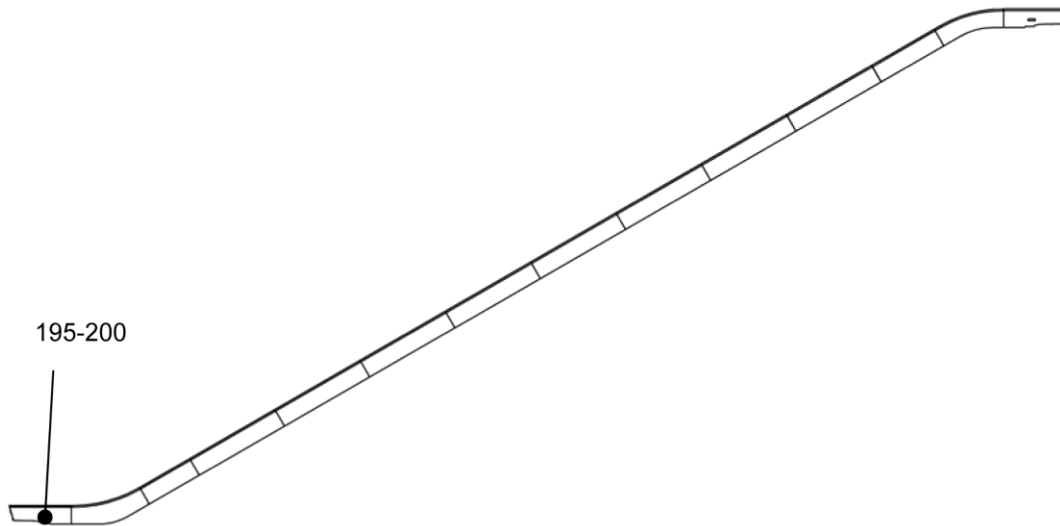


Upper Landing = U.L.

DAA26227H		
REF. No.	PART No.	DESCRIPTION
189	DAA438MT27	First skirt panel, transparent, U.L. left side, w/o comb lighting. For 2 flat step
190	DAA438MT28	First skirt panel, transparent, U.L. right side, w/o comb lighting. For 2 flat step
191	DAA438MT31	First skirt panel, transparent, U.L. left side, w/o comb lighting. For 3 flat step
192	DAA438MT32	First skirt panel, transparent, U.L. right side, w/o comb lighting. For 3 flat step
193	DAA438MT35	First skirt panel, transparent, U.L. left side, w/o comb lighting. For 4 flat step
194	DAA438MT36	First skirt panel, transparent, U.L. right side, w/o comb lighting. For 4 flat step

Opaque Balustrade Skirt Panel

OPAQUE SKIRT PANEL, LOW FRICTION COATING, FOR EN115:2008
FOR 515NPE-S 35°

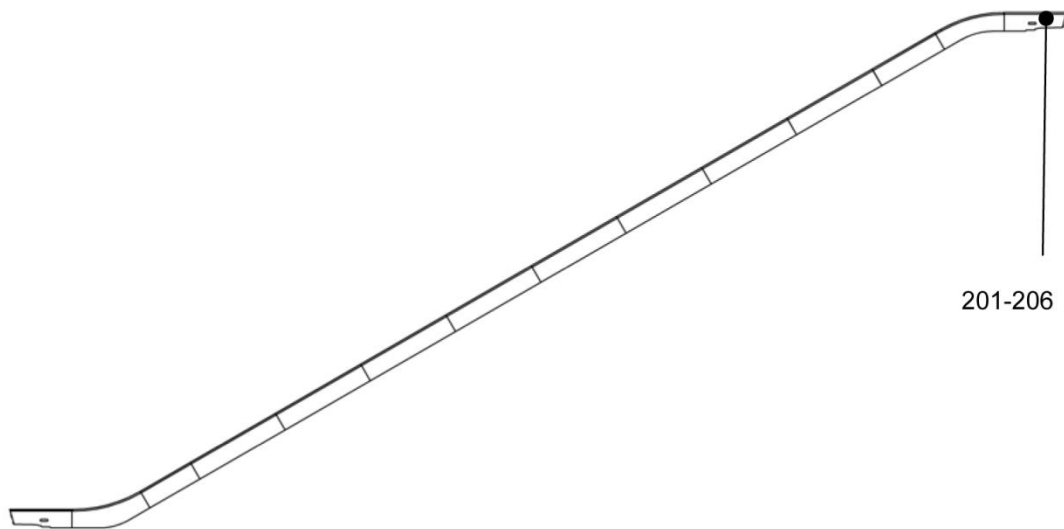


Lower Landing = L.L.

DAA26227H		
REF. No.	PART No.	DESCRIPTION
195	DAA438MT76	First skirt panel, transparent, L.L. left side, w/o comb lighting. For 2 flat step
196	DAA438MT75	First skirt panel, transparent, L.L. right side, w/o comb lighting. For 2 flat step
197	DAA438MT80	First skirt panel, transparent, L.L. left side, w/o comb lighting. For 3 flat step
198	DAA438MT79	First skirt panel, transparent, L.L. right side, w/o comb lighting. For 3 flat step
199	DAA438MT84	First skirt panel, transparent, L.L. left side, w/o comb lighting. For 4 flat step
200	DAA438MT83	First skirt panel, transparent, L.L. right side, w/o comb lighting. For 4 flat step

Opaque Balustrade Skirt Panel

**OPAQUE SKIRT PANEL, LOW FRICTION COATING, FOR EN115:2008
FOR 515NPE-S 35°**

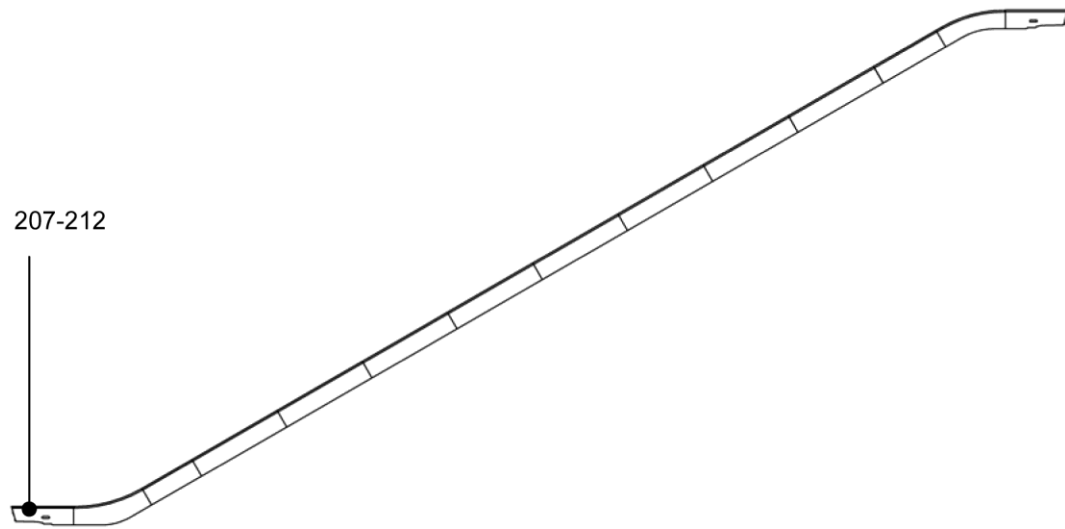


Upper Landing = U.L.

DAA26227H		
REF. No.	PART No.	DESCRIPTION
201	DAA438MT37	First skirt panel, black, U.L. left side, w/ comb lighting. For 2 flat step
202	DAA438MT38	First skirt panel, black, U.L. right side, w/ comb lighting. For 2 flat step
203	DAA438MT41	First skirt panel, black, U.L. left side, w/ comb lighting. For 3 flat step
204	DAA438MT42	First skirt panel, black, U.L. right side, w/ comb lighting. For 3 flat step
205	DAA438MT45	First skirt panel, black, U.L. left side, w/ comb lighting. For 4 flat step
206	DAA438MT46	First skirt panel, black, U.L. right side, w/ comb lighting. For 4 flat step

Opaque Balustrade Skirt Panel

OPAQUE SKIRT PANEL, LOW FRICTION COATING FOR EN115:2008
FOR 515NPE-S 35°

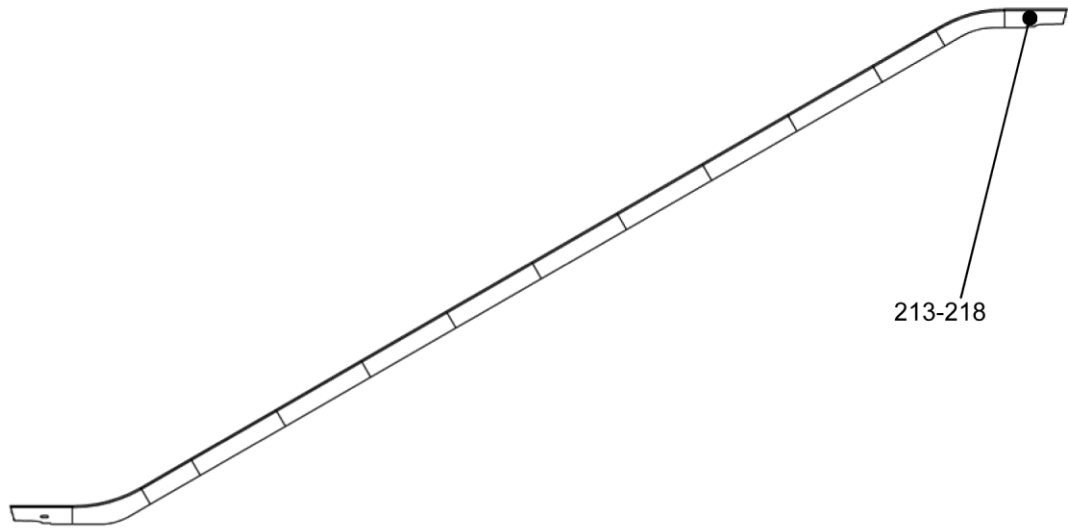


Lower Landing = L.L.

DAA26227H		
REF. No.	PART No.	DESCRIPTION
207	DAA438MT86	First skirt panel, black, L.L. left side, w/ comb lighting. For 2 flat step
208	DAA438MT85	First skirt panel, black, L.L. right side, w/ comb lighting. For 2 flat step
209	DAA438MT90	First skirt panel, black, L.L. left side, w/ comb lighting. For 3 flat step
210	DAA438MT89	First skirt panel, black, L.L. right side, w/ comb lighting. For 3 flat step
211	DAA438MT94	First skirt panel, black, L.L. left side, w/ comb lighting. For 4 flat step
212	DAA438MT93	First skirt panel, black, L.L. right side, w/ comb lighting. For 4 flat step

Opaque Balustrade Skirt Panel

**OPAQUE SKIRT PANEL, LOW FRICTION COATING, FOR EN115:2008
FOR 515NPE-S 35°**

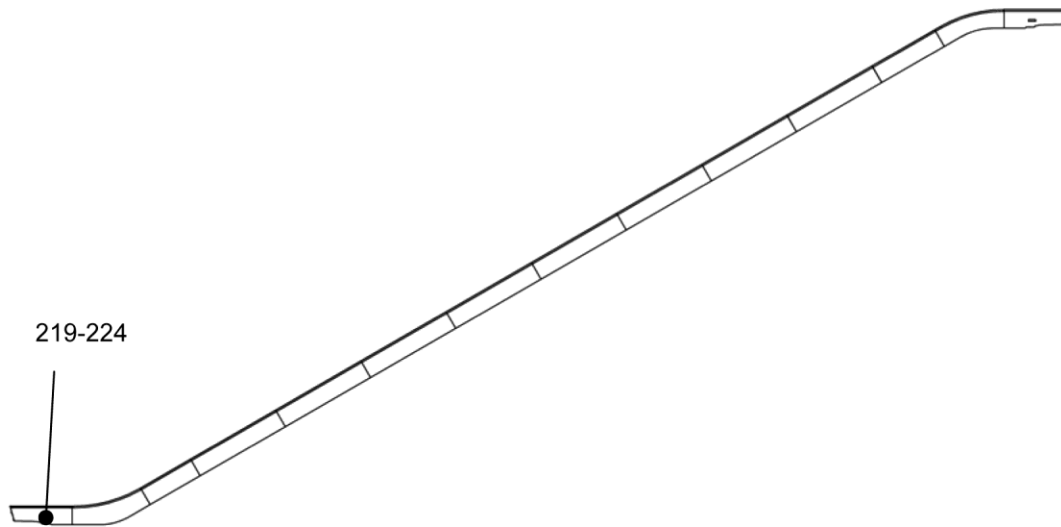


Upper Landing = U.L.

DAA26227H		
REF. No.	PART No.	DESCRIPTION
213	DAA438MT39	First skirt panel, black, U.L. left side, w/o comb lighting. For 2 flat step
214	DAA438MT40	First skirt panel, black, U.L. right side, w/o comb lighting. For 2 flat step
215	DAA438MT43	First skirt panel, black, U.L. left side, w/o comb lighting. For 3 flat step
216	DAA438MT44	First skirt panel, black, U.L. right side, w/o comb lighting. For 3 flat step
217	DAA438MT47	First skirt panel, black, U.L. left side, w/o comb lighting. For 4 flat step
218	DAA438MT48	First skirt panel, black, U.L. right side, w/o comb lighting. For 4 flat step

Opaque Balustrade Skirt Panel

OPAQUE SKIRT PANEL, LOW FRICTION COATING, FOR EN115:2008
FOR 515NPE-S 35°

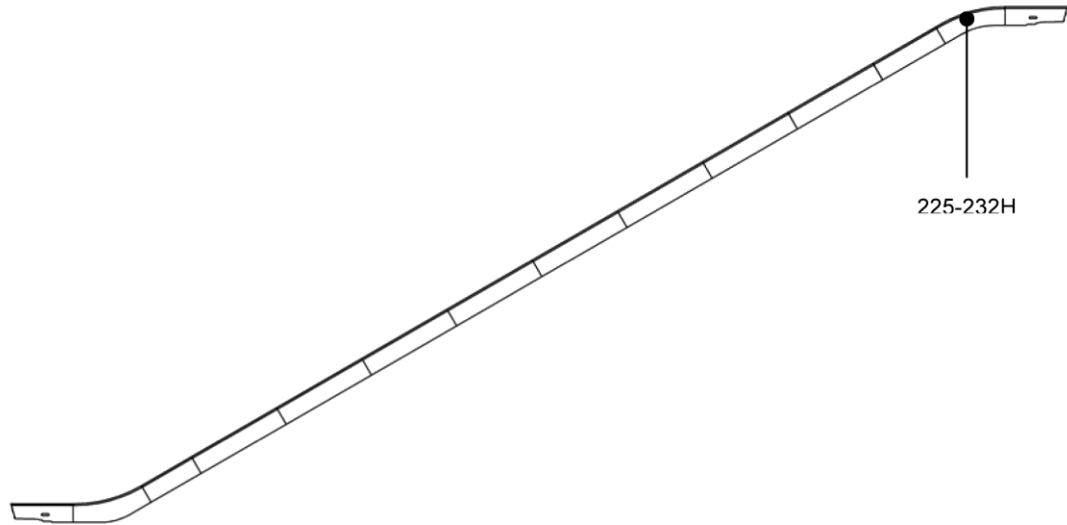


Lower Landing = L.L.

DAA26227H		
REF. No.	PART No.	DESCRIPTION
219	DAA438MT88	First skirt panel, black, L.L. left side, w/o comb lighting. For 2 flat step
220	DAA438MT87	First skirt panel, black, L.L. right side, w/o comb lighting. For 2 flat step
221	DAA438MT92	First skirt panel, black, L.L. left side, w/o comb lighting. For 3 flat step
222	DAA438MT91	First skirt panel, black, L.L. right side, w/o comb lighting. For 3 flat step
223	DAA438MT96	First skirt panel, black, L.L. left side, w/o comb lighting. For 4 flat step
224	DAA438MT95	First skirt panel, black, L.L. right side, w/o comb lighting. For 4 flat step

Opaque Balustrade Skirt Panel

OPAQUE SKIRT PANEL, ST. ST. G2 HAIRLINE, FOR EN115:1995 / GB16899:1997
FOR 515NPE-S 35° & 515NPE-L 35°



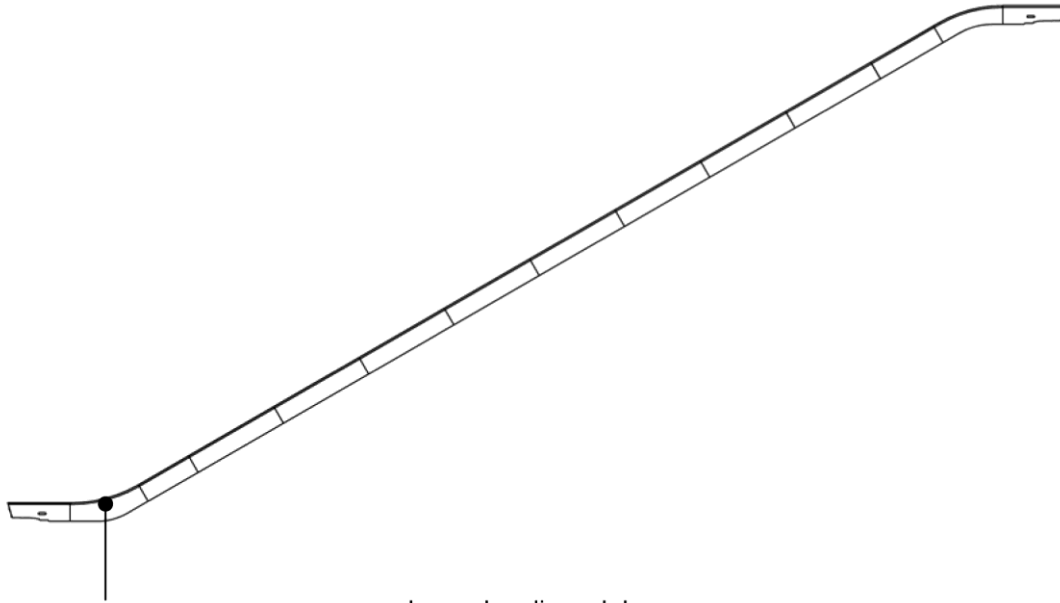
Upper Landing = U.L.

DAA26227H

REF. No.	PART No.	DESCRIPTION	LOCATED	TYPE
225	DAA438MV1	Curve Skirt Panel, U.L. left side	Outdoor	515NPE-S
226	DAA438MV2	Curve Skirt Panel, U.L. right side		
227	DAA438MV3	Curve Skirt Panel, U.L. left side	Indoor	
228	DAA438MV4	Curve Skirt Panel, U.L. right side		
229	DAA438MX1	Curve Skirt Panel, U.L. left side	Outdoor	515NPE-L
230	DAA438MX2	Curve Skirt Panel, U.L. right side	Indoor	
231	DAA438MX3	Curve Skirt Panel, U.L. left side		
232	DAA438MX4	Curve Skirt Panel, U.L. right side		
232A	DAA438MV9	Curve Skirt Panel, U.L. left side, w/ ETA	Outdoor	515NPE-S
232B	DAA438MV10	Curve Skirt Panel, U.L. right side, w/ ETA		
232C	DAA438MV11	Curve Skirt Panel, U.L. left side, w/ ETA	Indoor	
232D	DAA438MV12	Curve Skirt Panel, U.L. right side, w/ ETA		
232E	DAA438MX9	Curve Skirt Panel, U.L. left side, w/ ETA	Outdoor	515NPE-L
232F	DAA438MX10	Curve Skirt Panel, U.L. right side, w/ ETA		
232G	DAA438MX11	Curve Skirt Panel, U.L. left side, w/ ETA	Indoor	
232H	DAA438MX12	Curve Skirt Panel, U.L. right side, w/ ETA		

Opaque Balustrade Skirt Panel

OPAQUE SKIRT PANEL, ST. ST. G2 HAIRLINE, FOR EN115:1995 / GB16899:1997
FOR 515NPE-S 35° & 515NPE-L 35°



233-244

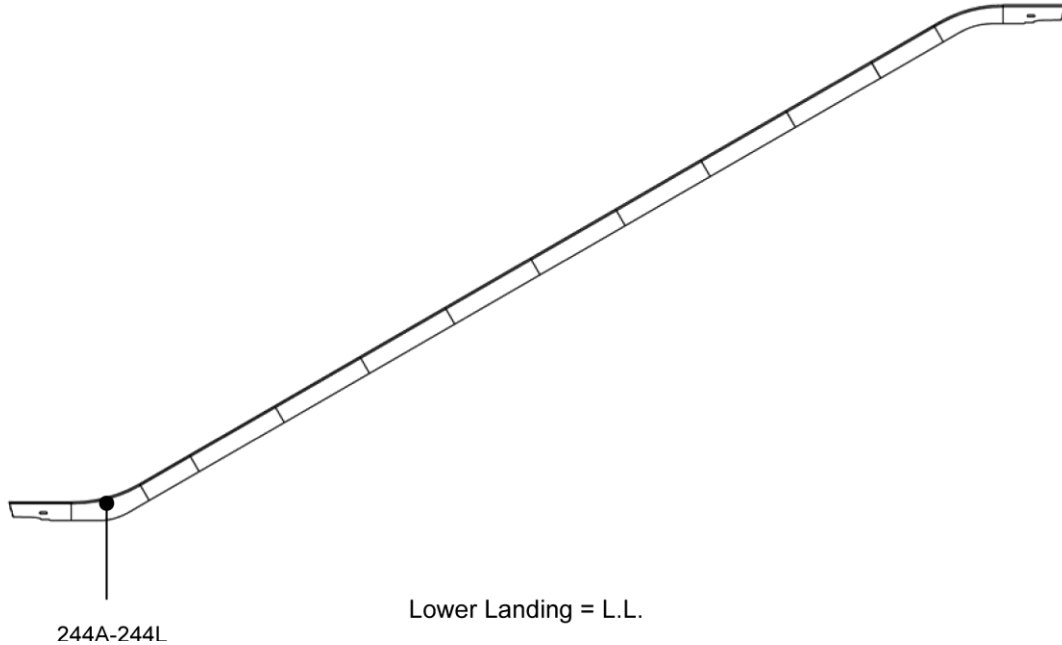
Lower Landing = L.L.

DAA26227H

REF. No.	PART No.	DESCRIPTION	LOCATED	TYPE	
233	DAA438MW1	Curve Skirt Panel, L.L. left side, 2 flat step	Outdoor	515NPE-S	
234	DAA438MW2	Curve Skirt Panel, L.L. right side, 2 flat step			
235	DAA438MW3	Curve Skirt Panel, L.L. left side, 2 flat step	Indoor		
236	DAA438MW4	Curve Skirt Panel, L.L. right side, 2 flat step			
237	DAA438MW9	Curve Skirt Panel, L.L. left side, 3 & 4 flat step	Outdoor		
238	DAA438MW10	Curve Skirt Panel, L.L. right side, 3 & 4 flat step			
239	DAA438MW11	Curve Skirt Panel, L.L. left side, 3 & 4 flat step	Indoor		
240	DAA438MW12	Curve Skirt Panel, L.L. right side, 3 & 4 flat step			
241	DAA438MY1	Curve Skirt Panel, L.L. left side	Outdoor		515NPE-L
242	DAA438MY2	Curve Skirt Panel, L.L. right side			
243	DAA438MY3	Curve Skirt Panel, L.L. left side	Indoor		
244	DAA438MY4	Curve Skirt Panel, L.L. right side			

Opaque Balustrade Skirt Panel

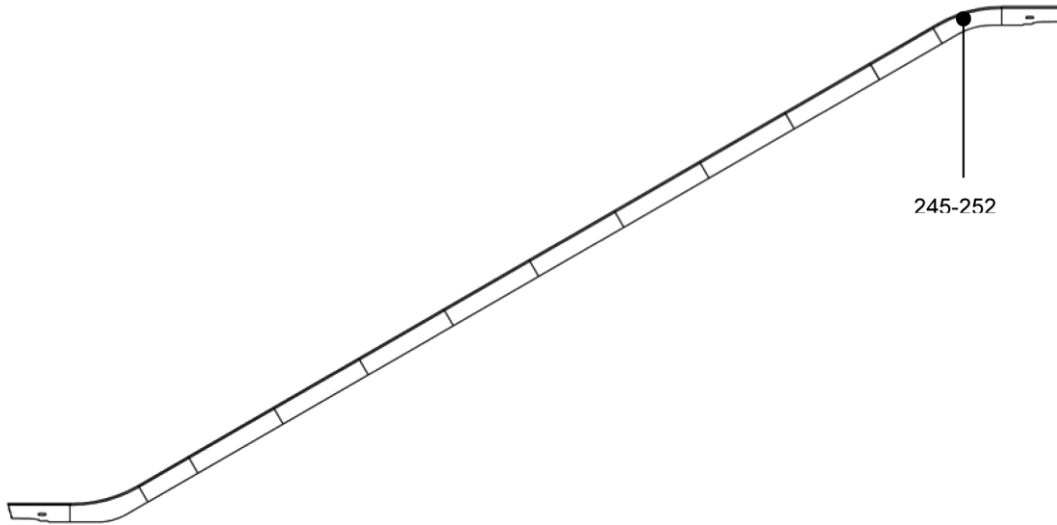
OPAQUE SKIRT PANEL, ST. ST. G2 HAIRLINE, FOR EN115:1995 / GB16899:1997
 FOR 515NPE-S 35° & 515NPE-L 35°
 WITH ETA



DAA26227H				
REF. No.	PART No.	DESCRIPTION	LOCATED	TYPE
244A	DAA438MW17	Curve Skirt Panel, L.L. left side, 2 flat step	Outdoor	515NPE-S
244B	DAA438MW18	Curve Skirt Panel, L.L. right side, 2 flat step		
244C	DAA438MW19	Curve Skirt Panel, L.L. left side, 2 flat step	Indoor	
244D	DAA438MW20	Curve Skirt Panel, L.L. right side, 2 flat step		
244E	DAA438MW25	Curve Skirt Panel, L.L. left side, 3 & 4 flat step	Outdoor	
244F	DAA438MW26	Curve Skirt Panel, L.L. right side, 3 & 4 flat step		
244G	DAA438MW27	Curve Skirt Panel, L.L. left side, 3 & 4 flat step	Indoor	
244H	DAA438MW28	Curve Skirt Panel, L.L. right side, 3 & 4 flat step		
244I	DAA438MY9	Curve Skirt Panel, L.L. left side	Outdoor	515NPE-L
244J	DAA438MY10	Curve Skirt Panel, L.L. right side		
244K	DAA438MY11	Curve Skirt Panel, L.L. left side	Indoor	
244L	DAA438MY12	Curve Skirt Panel, L.L. right side		

57-DAA26227H**512NCE / 515NPE-S / 515NP-L****Opaque Balustrade Skirt Panel**

OPAQUE SKIRT PANEL, LOW FRICTION COATING, FOR EN115:2008
 FOR 515NPE-S 35° & 515NPE-L 35°



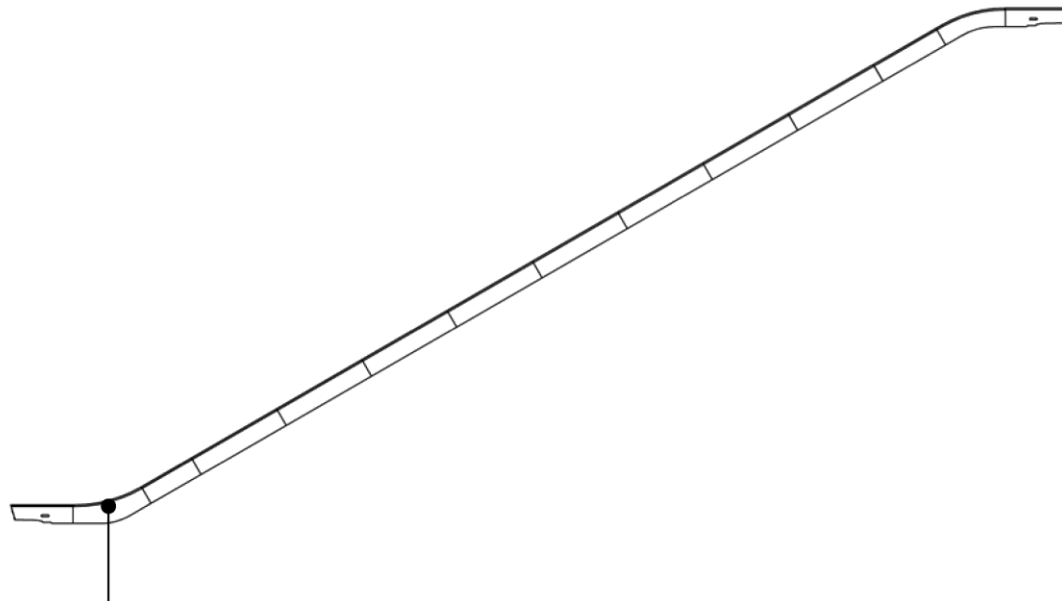
Upper Landing = U.L.

DAA26227H

REF. No.	PART No.	DESCRIPTION	TYPE
245	DAA438MV5	Curve Skirt Panel, transparent, U.L. left side	515NPE-S
246	DAA438MV6	Curve Skirt Panel, transparent, U.L. right side	
247	DAA438MV7	Curve Skirt Panel, black, U.L. left side	
248	DAA438MV8	Curve Skirt Panel, black, U.L. right side	
249	DAA438MX5	Curve Skirt Panel, transparent, U.L. left side	515NPE-L
250	DAA438MX6	Curve Skirt Panel, transparent, U.L. right side	
251	DAA438MX7	Curve Skirt Panel, black, U.L. left side	
252	DAA438MX8	Curve Skirt Panel, black, U.L. right side	
252A	DAA438MV13	Curve Skirt Panel, transparent, U.L. left side, w/ ETA	515NPE-S
252B	DAA438MV14	Curve Skirt Panel, transparent, U.L. right side, w/ ETA	
252C	DAA438MV15	Curve Skirt Panel, black, U.L. left side, w/ ETA	
252D	DAA438MV16	Curve Skirt Panel, black, U.L. right side, w/ ETA	
252E	DAA438MX13	Curve Skirt Panel, transparent, U.L. left side, w/ ETA	515NPE-L
252F	DAA438MX14	Curve Skirt Panel, transparent, U.L. right side, w/ ETA	
252G	DAA438MX15	Curve Skirt Panel, black, U.L. left side, w/ ETA	
252H	DAA438MX16	Curve Skirt Panel, black, U.L. right side, w/ ETA	

Opaque Balustrade Skirt Panel

OPAQUE SKIRT PANEL, LOW FRICTION COATING, FOR EN115:2008
FOR 515NPE-S 35° & 515NPE-L 35°



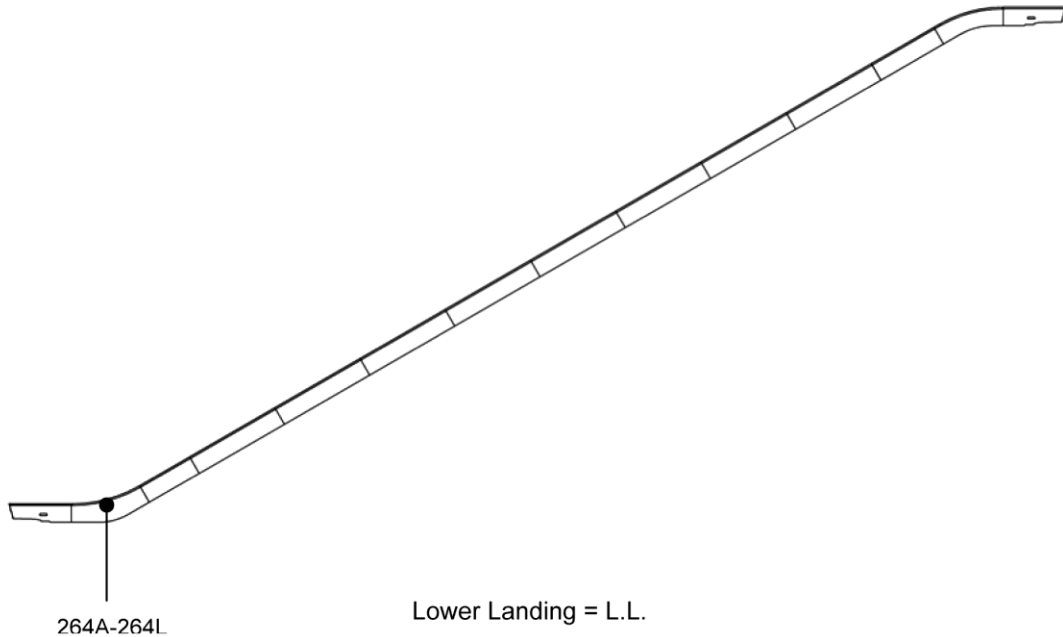
253-264

Lower Landing = L.L.

DAA26227H			
REF. No.	PART No.	DESCRIPTION	TYPE
253	DAA438MW5	Curve Skirt Panel, transparent, L.L. left side, 2 flat step	515NPE-S
254	DAA438MW6	Curve Skirt Panel, transparent, L.L. right side, 2 flat step	
255	DAA438MW7	Curve Skirt Panel, black, L.L. left side, 2 flat step	
256	DAA438MW8	Curve Skirt Panel, black, L.L. right side, 2 flat step	
257	DAA438MW13	Curve Skirt Panel, transparent, L.L. left side, 3 & 4 flat step	
258	DAA438MW14	Curve Skirt Panel, transparent, L.L. right side, 3 & 4 flat step	
259	DAA438MW15	Curve Skirt Panel, black, L.L. left side, 3 & 4 flat step	
260	DAA438MW16	Curve Skirt Panel, black, L.L. right side, 3 & 4 flat step	
261	DAA438MY5	Curve Skirt Panel, transparent, L.L. left side	515NPE-L
262	DAA438MY6	Curve Skirt Panel, transparent, L.L. right side	
263	DAA438MY7	Curve Skirt Panel, black, L.L. left side	
264	DAA438MY8	Curve Skirt Panel, black, L.L. right side	

Opaque Balustrade Skirt Panel

OPAQUE SKIRT PANEL, LOW FRICTION COATING, FOR EN115:2008
 FOR 515NPE-S 35° & 515NPE-L 35°
 WITH ETA

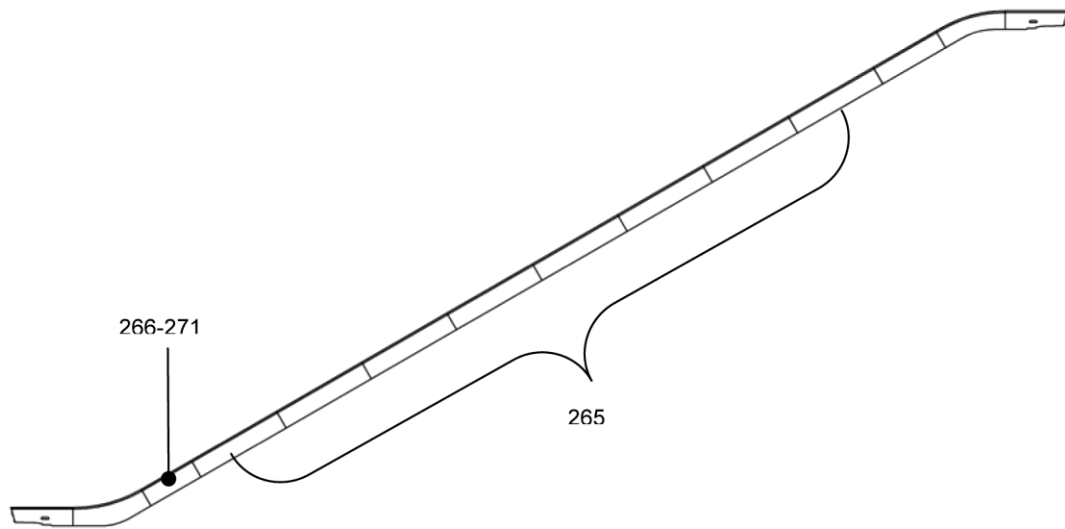


DAA26227H			
REF. No.	PART No.	DESCRIPTION	TYPE
264A	DAA438MW21	Curve Skirt Panel, transparent, L.L. left side, 2 flat step	515NPE-S
264B	DAA438MW22	Curve Skirt Panel, transparent, L.L. right side, 2 flat step	
264C	DAA438MW23	Curve Skirt Panel, black, L.L. left side, 2 flat step	
264D	DAA438MW24	Curve Skirt Panel, black, L.L. right side, 2 flat step	
264E	DAA438MW29	Curve Skirt Panel, transparent, L.L. left side, 3 & 4 flat step	
264F	DAA438MW30	Curve Skirt Panel, transparent, L.L. right side, 3 & 4 flat step	
264G	DAA438MW31	Curve Skirt Panel, black, L.L. left side, 3 & 4 flat step	
264H	DAA438MW32	Curve Skirt Panel, black, L.L. right side, 3 & 4 flat step	
264I	DAA438MY13	Curve Skirt Panel, transparent, L.L. left side	515NPE-L
264J	DAA438MY14	Curve Skirt Panel, transparent, L.L. right side	
264K	DAA438MY15	Curve Skirt Panel, black, L.L. left side	
264L	DAA438MY16	Curve Skirt Panel, black, L.L. right side	

Opaque Balustrade Skirt Panel

OPAQUE SKIRT PANEL, ST. ST. G2 HAIRLINE, FOR EN115:1995 , 35°

SEE PAGE 9

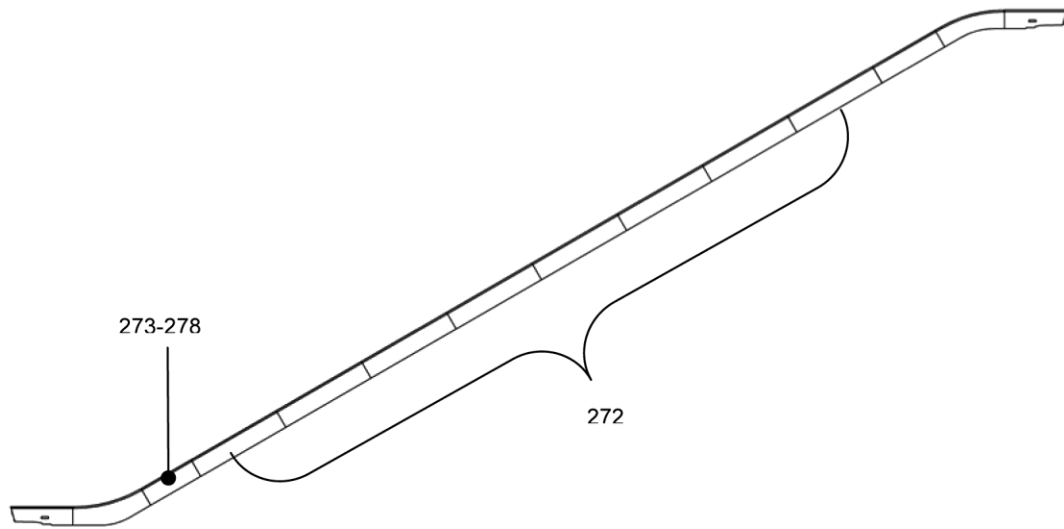


DAA26227H			
REF. No.	PART No.	DESCRIPTION	LOCATED
265	DAA438JB5	Skirt Panel, inclined section. Length: 2960mm	Outdoor
266	DAA438JB-V5	Skirt Panel, inclined section. Length per spec.	
267	DAA438JB-V6	Skirt Panel, inclined section. Length per spec.	
268	DAA438JB-V9	Skirt Panel, inclined section, Length per spec.	
269	DAA438JB-V10	Skirt Panel, inclined section, Length per spec.	
270	DAA438JB-V13	Skirt Panel, inclined section, Length per spec.	
271	DAA438JB-V14	Skirt Panel, inclined section, Length per spec.	

Opaque Balustrade Skirt Panel

OPAQUE SKIRT PANEL, ST. ST. G2 HAIRLINE, FOR EN115:1995, 35°

SEE PAGE 9

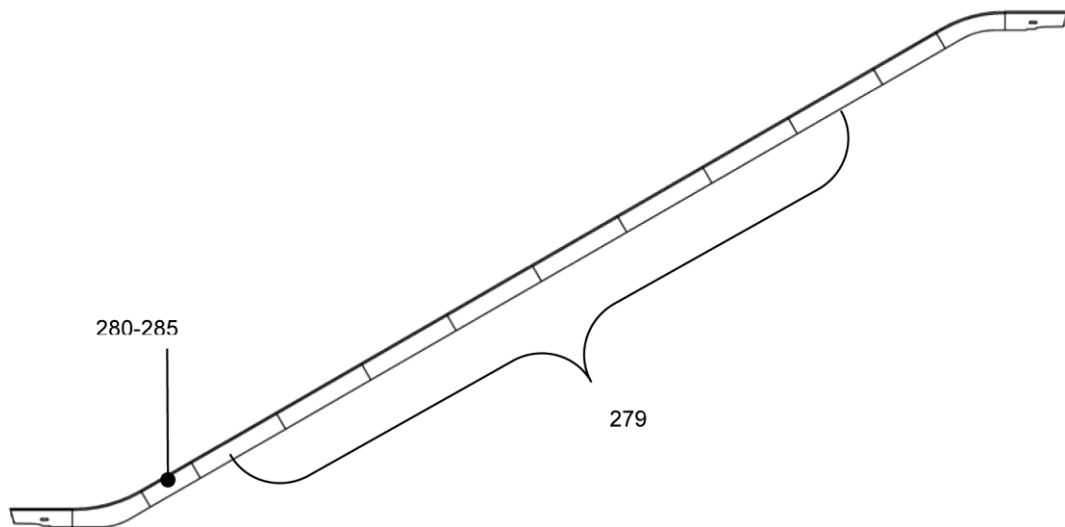


DAA26227H			
REF. No.	PART No.	DESCRIPTION	LOCATED
272	DAA438JB6	Skirt Panel, inclined section. Length: 2960mm	Indoor
273	DAA438JB-V7	Skirt Panel, inclined section. Length per spec.	
274	DAA438JB-V8	Skirt Panel, inclined section. Length per spec.	
275	DAA438JB-V14	Skirt Panel, inclined section. Length per spec.	
276	DAA438JB-V12	Skirt Panel, inclined section. Length per spec.	
277	DAA438JB-V15	Skirt Panel, inclined section. Length per spec.	
278	DAA438JB-V16	Skirt Panel, inclined section. Length per spec.	

Opaque Balustrade Skirt Panel

OPAQUE SKIRT PANEL FOR EN115:2008 & ANSI

SEE PAGE 16

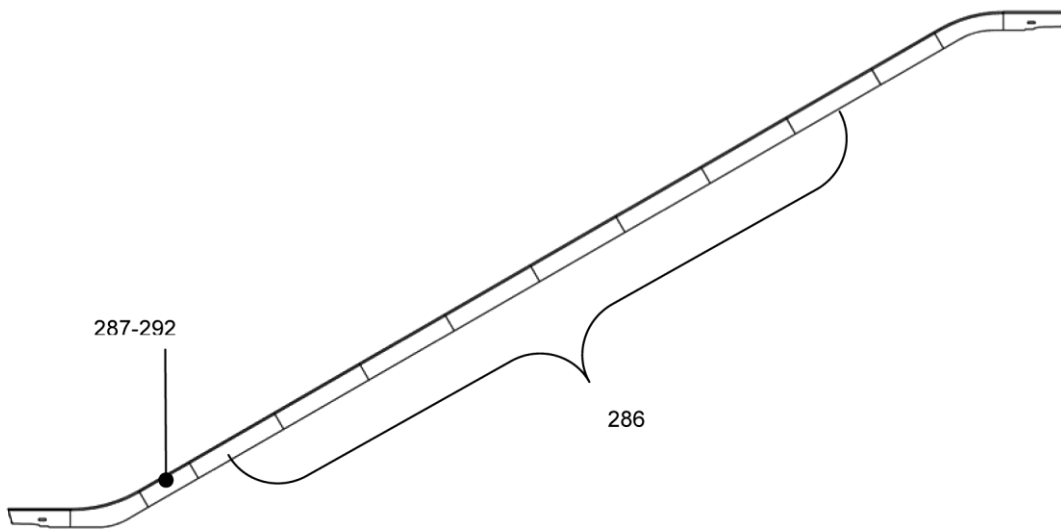


DAA26227H		
REF. No.	PART No.	DESCRIPTION
279	DAA438MK5	Skirt Panel, inclined section, coating black. Length: 2960mm
280	DAA438MK-V5	Skirt Panel, inclined section, coating black. Length per spec.
281	DAA438MK-V6	Skirt Panel, inclined section, coating black. Length per spec.
282	DAA438MK-V9	Skirt Panel, inclined section, coating black. Length per spec.
283	DAA438MK-V10	Skirt Panel, inclined section, coating black. Length per spec.
284	DAA438MK-V13	Skirt Panel, inclined section, coating black. Length per spec.
285	DAA438MK-V14	Skirt Panel, inclined section, coating black. Length per spec.

Opaque Balustrade Skirt Panel

OPAQUE SKIRT PANEL FOR EN115:2008 & ANSI

SEE PAGE 16



DAA26227H		
REF. No.	PART No.	DESCRIPTION
286	DAA438MK6	Skirt Panel, inclined section, coating transparent. Length: 2960mm
287	DAA438MK-V7	Skirt Panel, inclined section, coating transparent. Length per spec.
288	DAA438MK-V8	Skirt Panel, inclined section, coating transparent. Length per spec.
289	DAA438MK-V11	Skirt Panel, inclined section, coating transparent. Length per spec.
290	DAA438MK-V12	Skirt Panel, inclined section, coating transparent. Length per spec.
291	DAA438MK-V15	Skirt Panel, inclined section, coating transparent. Length per spec.
292	DAA438MK-V16	Skirt Panel, inclined section, coating transparent. Length per spec.