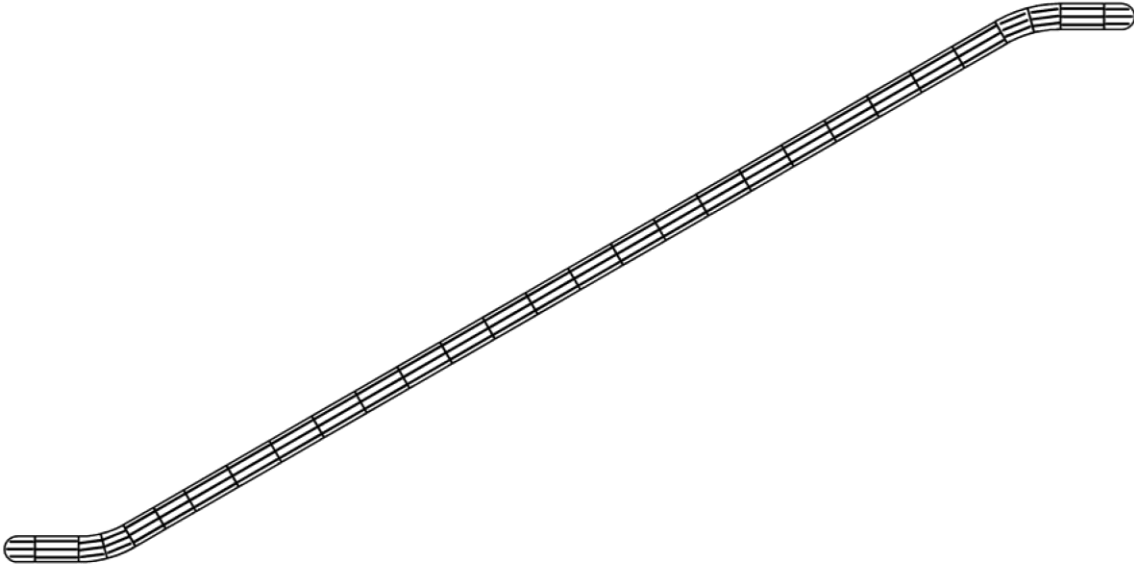


**512NCE / 515NPE-S /
515NPE-L Escalator
Balustrade Interior Panel**

Spare Parts Leaflet

57-DAA26228AM

January 29, 2010 / Page 1 of 14



Note: The 'Left side' and 'Right side' mentioned in this file is defined when passenger stands at the lower landing, facing the escalator



Leaflet Description

Opaque balustrade interior panel for 512NCE / 515NPE-S / 515NPE-L

Leaflet Revisions

Date Revised	Subject Matter Expert	Reason for Revision
August 30, 2007	Wang Shouhong	Release
June 30, 2008	Wang Shouhong	Parts with skirt panel lighting were removed.
November 21, 2008	Wang Shouhong	Ref. No. 31: DAA438JJ17 changed to DAA438JJ16 & Ref. No. 32: DAA438JJ16 changed to DAA438JJ15 on page 8. Ref. number mark '38-40' changed to '39-40' on page 9.
May 18, 2009	Wang Shouhong	Updated to cover parts for 512 NCE ANSI code, and product names LINK B/LINK C changed to 515NPE-S/515NPE-L.
November 24, 2009	Li Biao	Parts for 35 degree added on page 10-14.
January 29, 2010	Li Biao	Correct revision date at bottom.

Related Drawings

Drawing No.	Title	Drawing No.	Title
DAA26228AM	Balustrade Interior Panel		

Related Documents

Document ID	Title
ODS DAA27076L	Balustrade Interior Panel

Subject Matter Expert

Name	Department
Wang Shouhong	SIT-GUANGHOU

About Spare Parts Leaflets...

This document lists the lowest replaceable units (LRUs) for the standard version of the product. The LRUs are chosen by a team of Otis associates representing engineering and manufacturing.

While goal of this document is to make parts identification as easy as possible, the document cannot be all-inclusive. Elevator and escalator contracts classified as "special" or "custom" are not addressed here. For such contracts, please refer to specified information, the contract folder, TIPS, Field Education Articles, Construction Letters, etc. for further information.

If you have any suggestions about this document, please contact the subject matter expert listed on this page.

Balustrade Interior Panel

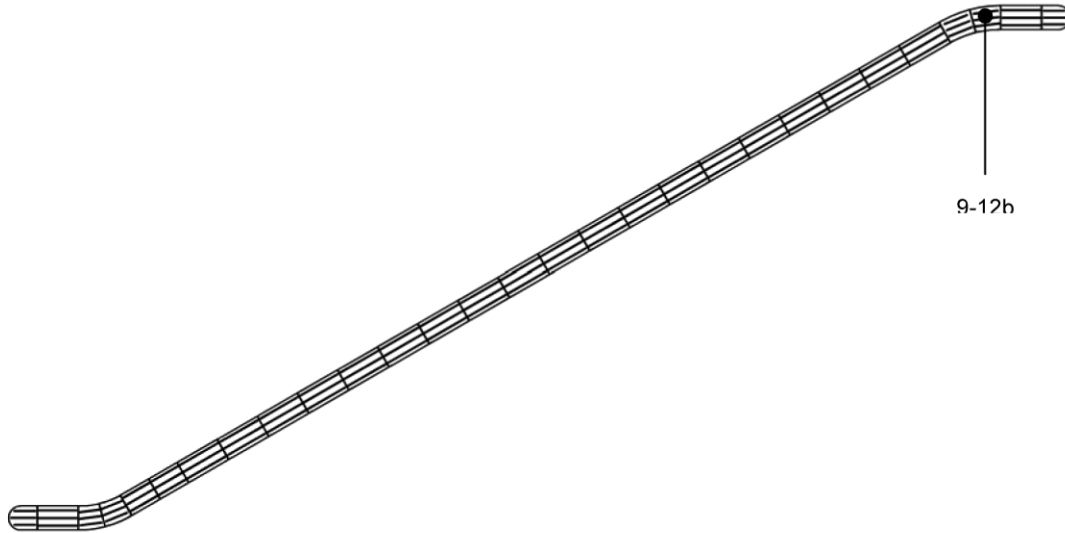
OPAQUE INTERIOR PANEL, FOR 30°



DAA26228AM				
REF. No.	PART No.	DESCRIPTION	LOCATED	TYPE
1	DAA438JD1	Interior Panel, U. L. & L. L., for 3 & 4 Flat Step	Outdoor	515NPE-S EN115/JIS
2	DAA438JD2	Interior Panel, U. L., for 2 Flat Step		
3	DAA438JD3	Interior Panel, L. L., for 2 Flat Step		
4	DAA438JD4	Interior Panel, U.L. & L.L., for 3 & 4 Flat Step	Indoor	
5	DAA438JD5	Interior Panel, U.L., for 2 Flat Step		
6	DAA438JD6	Interior Panel, L.L., for 2 Flat Step		
7	DAA438JD1	Interior Panel, U.L. & L.L., for 2, 3 & 4 Flat Step	Outdoor	515NPE-L EN115/JIS
8	DAA438JD4	Interior Panel, U.L. & L.L., for 2, 3 & 4 Flat Step	Indoor	
8a	DAA438JD1	Interior Panel, U.L. & L.L., for 3 Flat Step	512NCE ANSI	
8b	DAA438JD7	Interior Panel, U.L. & L.L., for 2 Flat Step		

Balustrade Interior Panel

OPAQUE INTERIOR PANEL, FOR 30°

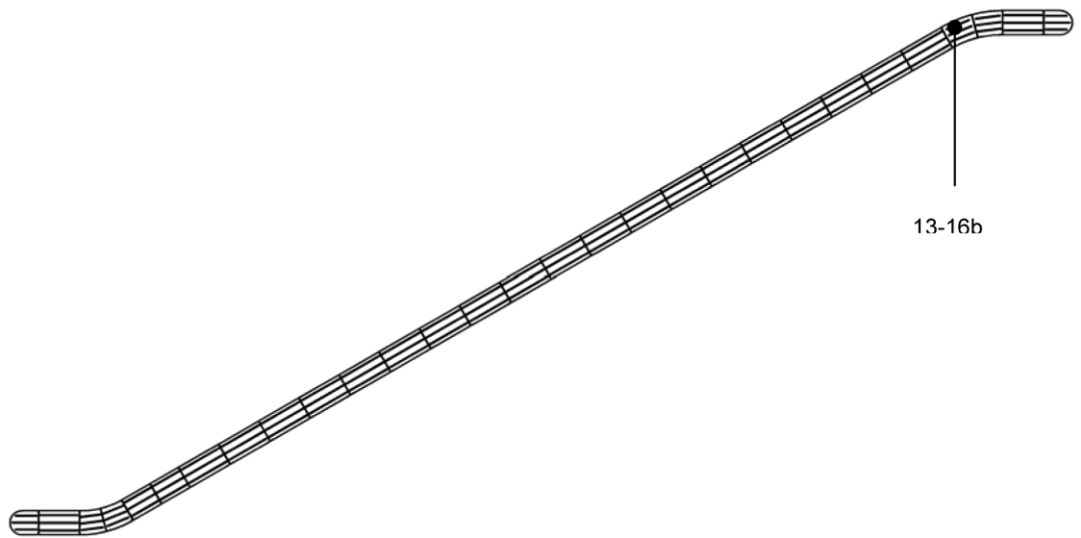


Upper Landing = U.L.

DAA26228AM			
REF. No.	PART No.	DESCRIPTION	LOCATED
9	DAA438JE1	Interior Panel, U.L. Left Side. For 2, 3 & 4 Flat Step	Outdoor EN115/JIS
10	DAA438JE2	Interior Panel, U.L. Right Side. For 2, 3 & 4 Flat Step	
11	DAA438JE5	Interior Panel, U.L. Left Side. For 2, 3 & 4 Flat Step	Indoor EN115/JIS
12	DAA438JE6	Interior Panel, U.L. Right Side. For 2, 3 & 4 Flat Step	
12a	DAA438JE1	Interior Panel, U.L. Left Side. For 2, 3 Flat Step	ANSI
12b	DAA438JE2	Interior Panel, U.L. Right Side. For 2, 3 Flat Step	

Balustrade Interior Panel

OPAQUE INTERIOR PANEL, FOR 30°

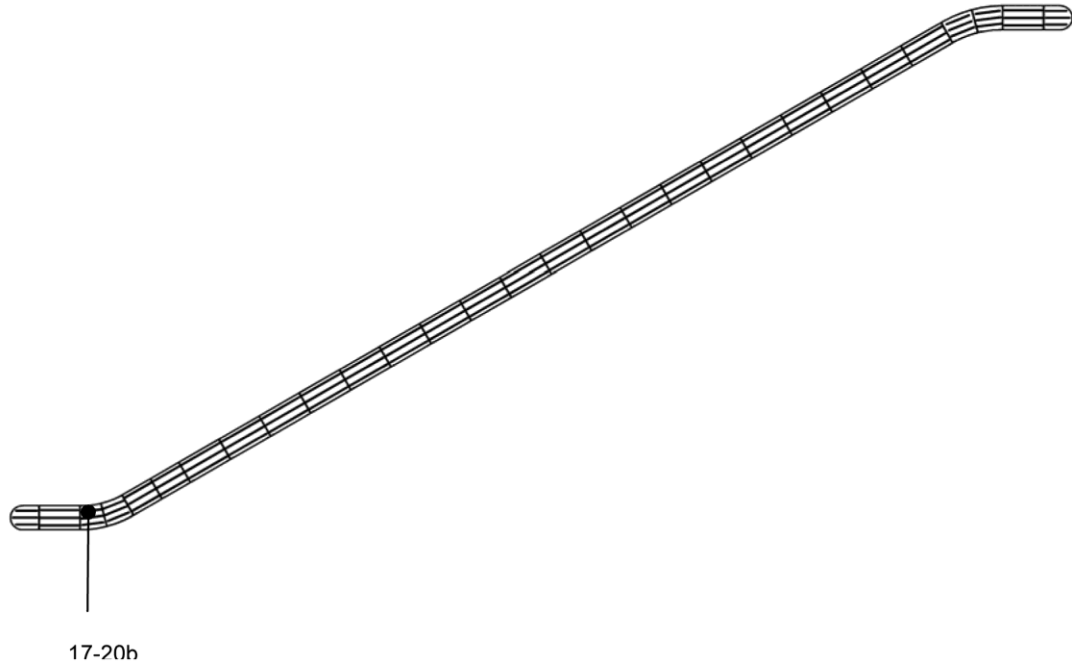


Upper Landing = U.L.

DAA26228AM			
REF. No.	PART No.	DESCRIPTION	LOCATED
13	DAA438JF1	Interior Panel, U.L. Left Side. For 2, 3 & 4 Flat Step	Outdoor EN115/JIS
14	DAA438JF2	Interior Panel, U.L. Right Side. For 2, 3 & 4 Flat Step	
15	DAA438JF5	Interior Panel, U.L. Left Side. For 2, 3 & 4 Flat Step	Indoor EN115/JIS
16	DAA438JF6	Interior Panel, U.L. Right Side. For 2, 3 & 4 Flat Step	
16a	DAA438JF1	Interior Panel, U.L. Left Side. For 2, 3 Flat Step	ANSI
16b	DAA438JF2	Interior Panel, U.L. Right Side. For 2, 3 Flat Step	

Balustrade Interior Panel

OPAQUE INTERIOR PANEL, FOR 30°

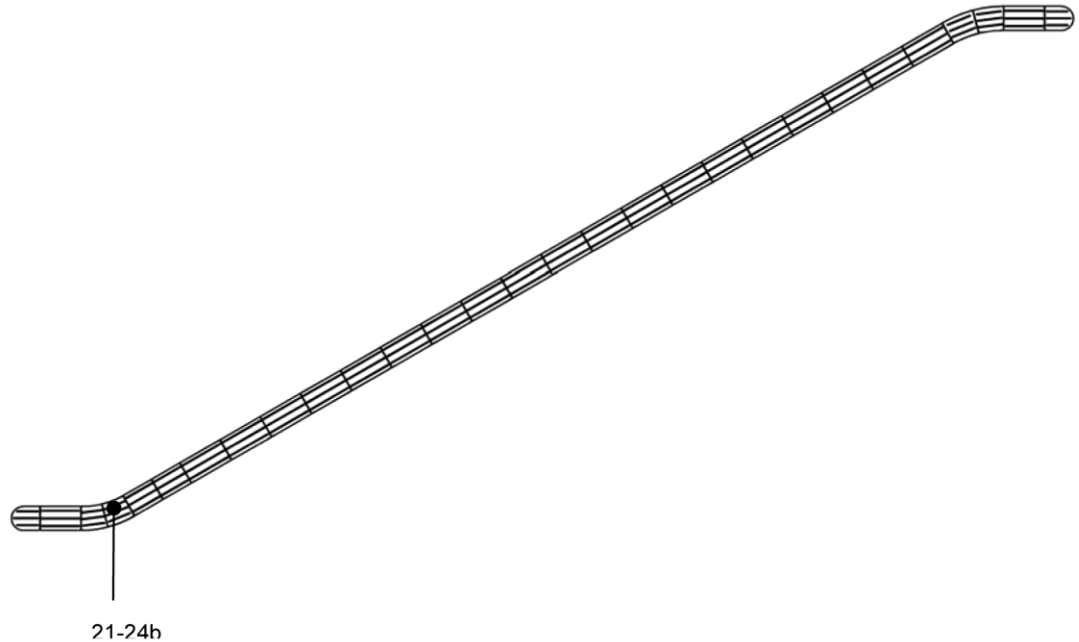


Lower Landing = L.L.

DAA26228AM			
REF. No.	PART No.	DESCRIPTION	LOCATED
17	DAA438JG1	Interior Panel, L.L. Left Side. For 2, 3 & 4 Flat Step	Outdoor EN115/JIS
18	DAA438JG2	Interior Panel, L.L. Right Side. For 2, 3 & 4 Flat Step	
19	DAA438JG5	Interior Panel, L.L. Left Side. For 2, 3 & 4 Flat Step	Indoor EN115/JIS
20	DAA438JG6	Interior Panel, L.L. Right Side. For 2, 3 & 4 Flat Step	
20a	DAA438JG1	Interior Panel, L.L. Left Side. For 2, 3 Flat Step	ANSI
20b	DAA438JG2	Interior Panel, L.L. Right Side. For 2, 3 Flat Step	

Balustrade Interior Panel

OPAQUE INTERIOR PANEL, FOR 30°

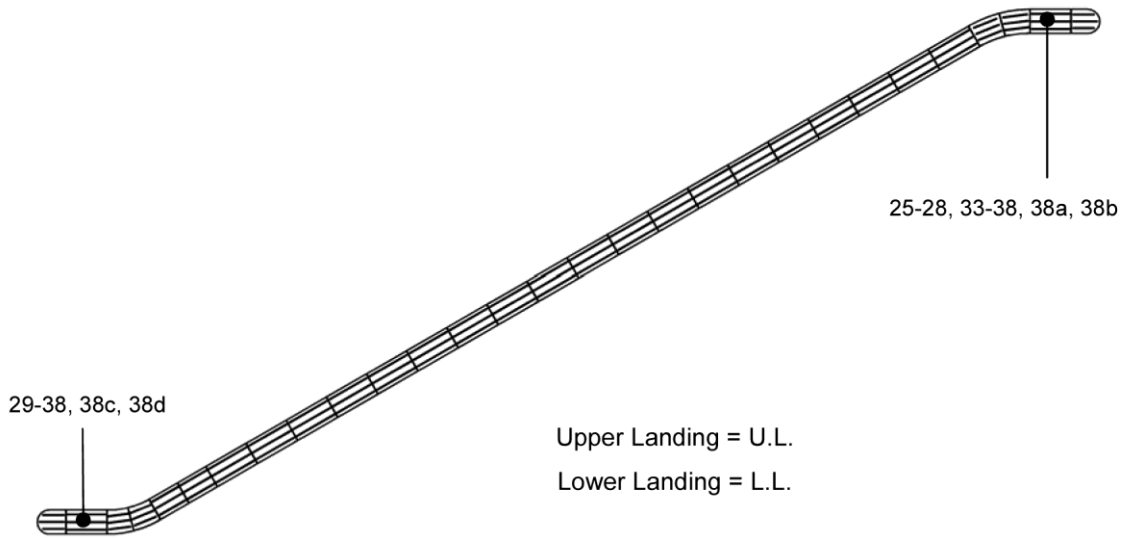


Lower Landing = L.L.

		DAA26228AM	
REF. No.	PART No.	DESCRIPTION	LOCATED
21	DAA438JH1	Interior Panel, L.L. Left Side. For 2, 3 & 4 Flat Step	Outdoor EN115/JIS
22	DAA438JH2	Interior Panel, L.L. Right Side. For 2, 3 & 4 Flat Step	
23	DAA438JH5	Interior Panel, L.L. Left Side. For 2, 3 & 4 Flat Step	Indoor EN115/JIS
24	DAA438JH6	Interior Panel, L.L. Right Side. For 2, 3 & 4 Flat Step	
24a	DAA438JH1	Interior Panel, L.L. Left Side. For 2, 3 Flat Step	ANSI
24b	DAA438JH2	Interior Panel, L.L. Right Side. For 2, 3 Flat Step	

Balustrade Interior Panel

OPAQUE INTERIOR PANEL

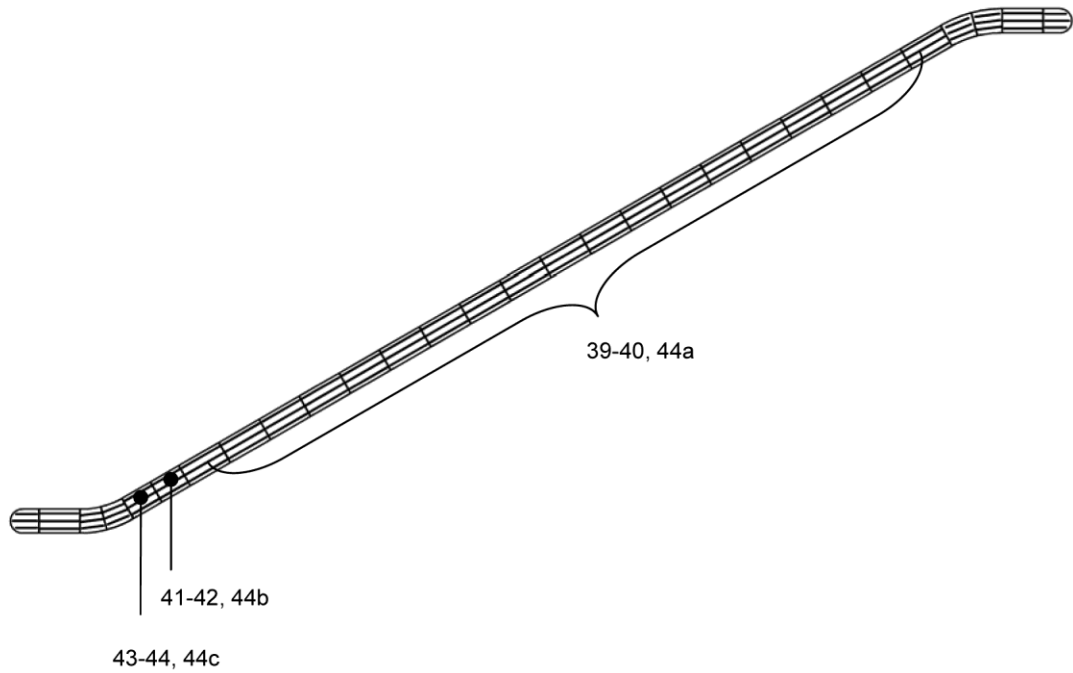


DAA26228AM

REF. No.	PART No.	DESCRIPTION	LOCATED	TYPE
25	DAA438JJ1	Interior Panel, U.L., for 4 Flat Step	Outdoor	515NPE-S EN115/JIS
26	DAA438JJ5	Interior Panel, U.L., for 3 Flat Step		
27	DAA438JJ10	Interior Panel, U.L., for 4 Flat Step	Indoor	
28	DAA438JJ14	Interior Panel, U.L., for 3 Flat Step	Outdoor	
29	DAA438JJ7	Interior Panel, L.L., for 4 Flat Step		
30	DAA438JJ6	Interior Panel, L.L., for 3 Flat Step	Indoor	
31	DAA438JJ16	Interior Panel, L.L., for 4 Flat Step		
32	DAA438JJ15	Interior Panel, L.L., for 3 Flat Step	Outdoor	
33	DAA438JJ4	Interior Panel, U.L. & L.L., for 4 Flat Step		
34	DAA438JJ2	Interior Panel, U.L. & L.L., for 3 Flat Step		
35	DAA438JJ3	Interior Panel, U.L. & L.L., for 2 Flat Step		
36	DAA438JJ13	Interior Panel, U.L. & L.L., for 4 Flat Step		Indoor
37	DAA438JJ11	Interior Panel, U.L. & L.L., for 3 Flat Step		
38	DAA438JJ12	Interior Panel, U.L. & L.L., for 2 Flat Step	512NCE ANSI	
38a	DAA438JJ19	Interior Panel, U.L. for 2 Flat Step, 30° Only		
38b	DAA438JJ20	Interior Panel, U.L. for 3 Flat Step, 30° Only		
38c	DAA438JJ3	Interior Panel, L.L., for 2 Flat Step, 30° Only		
38d	DAA438JJ21	Interior Panel, L.L., for 3 Flat Step, 30° Only		

Balustrade Interior Panel

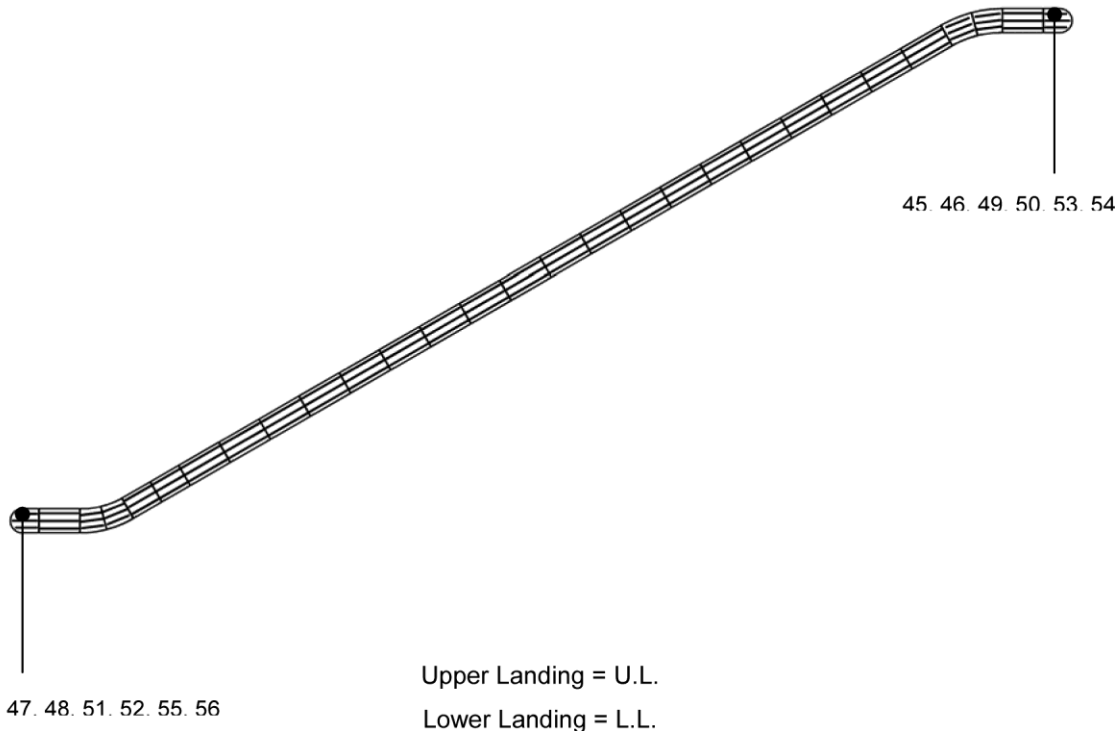
OPAQUE INTERIOR PANEL



DAA26228AM			
REF. No.	PART No.	DESCRIPTION	LOCATED
39	DAA438JJ8	Interior Panel for Inclined Section	Outdoor EN115/JIS
40	DAA438JJ17	Interior Panel for Inclined Section	Indoor EN115/JIS
41	DAA438JJ-V1	Interior Panel for Inclined Section	Outdoor EN115/JIS
42	DAA438JJ-V5	Interior Panel for Inclined Section	Indoor EN115/JIS
43	DAA438JJ-V3	Interior Panel for Inclined Section	Outdoor EN115/JIS
44	DAA438JJ-V7	Interior Panel for Inclined Section	Indoor EN115/JIS
44a	DAA438JJ8	Interior Panel for Inclined Section	ANSI
44b	DAA438JJ-V1	Interior Panel for Inclined Section	
44c	DAA438JJ-V3	Interior Panel for Inclined Section	

Balustrade Interior Panel

OPAQUE INTERIOR PANEL FOR 35°

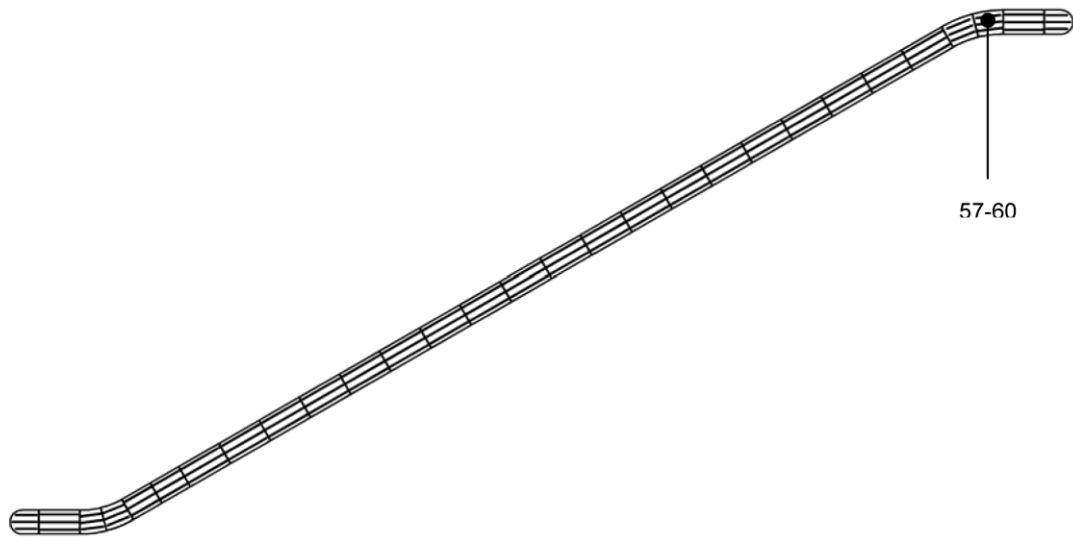


DAA26228AM

REF. No.	PART No.	DESCRIPTION	LOCATED	TYPE
45	DAA438JD13	Interior Panel, U.L., for 3 & 4 Flat Step	Outdoor	515NPE-S EN115/JIS
46	DAA438JD11	Interior Panel, U.L., for 2 Flat Step		
47	DAA438JD14	Interior Panel, L.L., for 3 & 4 Flat Step		
48	DAA438JD12	Interior Panel, L.L., for 2 Flat Step		
49	DAA438JD19	Interior Panel, U.L., for 3 & 4 Flat Step	Indoor	
50	DAA438JD17	Interior Panel, U.L., for 2 Flat Step		
51	DAA438JD20	Interior Panel, L.L., for 3 & 4 Flat Step		
52	DAA438JD18	Interior Panel, L.L., for 2 Flat Step		
53	DAA438JD9	Interior Panel, U.L., for 2, 3 & 4 Flat Step	Outdoor	515NPE-L EN115/JIS
54	DAA438JD15	Interior Panel, U.L., for 2, 3 & 4 Flat Step	Indoor	
55	DAA438JD10	Interior Panel, L.L., for 2, 3 & 4 Flat Step	Outdoor	
56	DAA438JD16	Interior Panel, L.L., for 2, 3 & 4 Flat Step	Indoor	

Balustrade Interior Panel

OPAQUE INTERIOR PANEL, FOR 35°

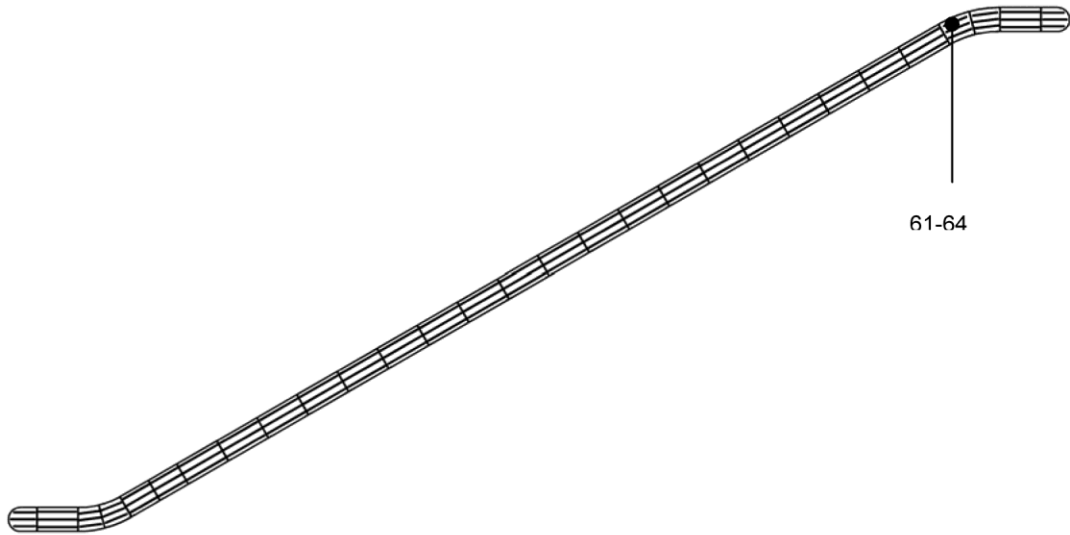


Upper Landing = U.L.

DAA26228AM			
REF. No.	PART No.	DESCRIPTION	LOCATED
57	DAA438JE9	Interior Panel, U.L. Left Side. For 2, 3 & 4 Flat Step	Outdoor EN115/JIS
58	DAA438JE10	Interior Panel, U.L. right side. For 2, 3 & 4 Flat Step	
59	DAA438JE13	Interior Panel, U.L. Left Side. For 2, 3 & 4 Flat Step	Indoor EN115/JIS
60	DAA438JE14	Interior Panel, U.L. Right Side. For 2, 3 & 4 Flat Step	

Balustrade Interior Panel

OPAQUE INTERIOR PANEL, FOR 35°



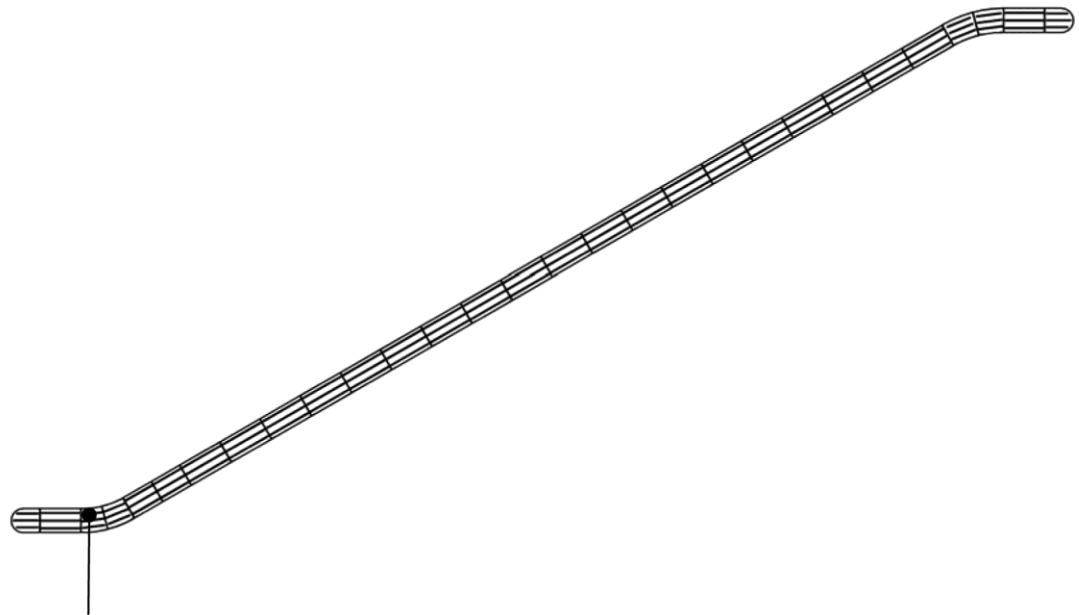
61-64

Upper Landing = U.L.

DAA26228AM			
REF. No.	PART No.	DESCRIPTION	LOCATED
61	DAA438JF9	Interior Panel, U.L. Left Side. For 2, 3 & 4 Flat Step	Outdoor EN115/JIS
62	DAA438JF10	Interior Panel, U.L. Right Side. For 2, 3 & 4 Flat Step	
63	DAA438JF13	Interior Panel, U.L. Left Side. For 2, 3 & 4 Flat Step	Indoor EN115/JIS
64	DAA438JF14	Interior Panel, U.L. Right Side. For 2, 3 & 4 Flat Step	

Balustrade Interior Panel

OPAQUE INTERIOR PANEL, FOR 35°



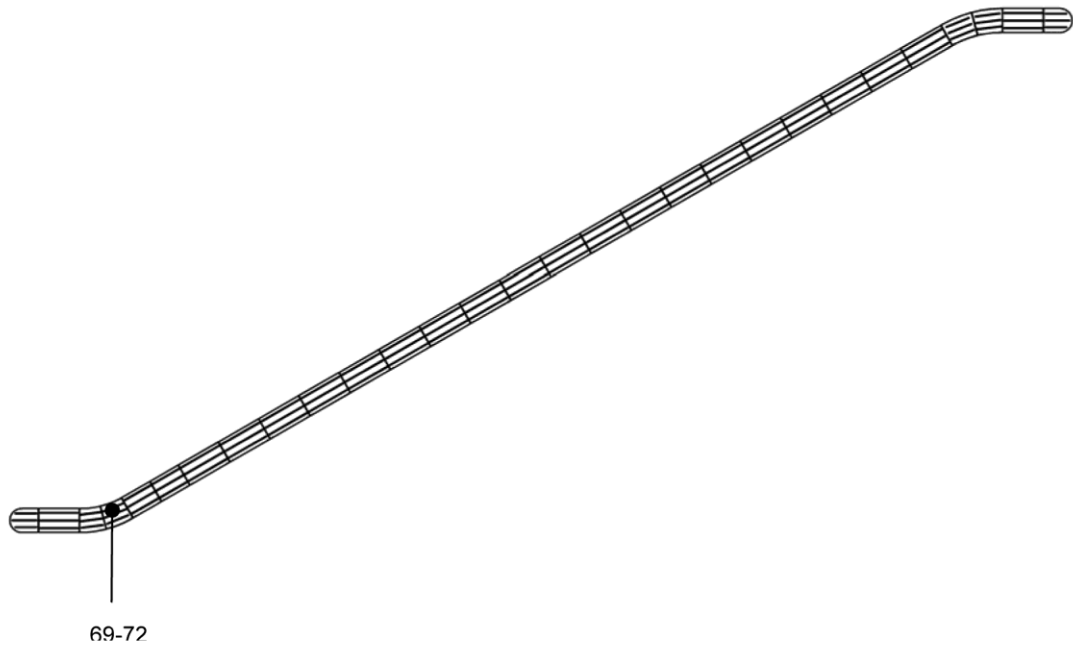
65-68

Lower Landing = L.L.

DAA26228AM			
REF. No.	PART No.	DESCRIPTION	LOCATED
65	DAA438JG9	Interior Panel, L.L. Left Side. For 2, 3 & 4 Flat Step	Outdoor EN115/JIS
66	DAA438JG10	Interior Panel, L.L. Right Side. For 2, 3 & 4 Flat Step	
67	DAA438JG13	Interior Panel, L.L. Left Side. For 2, 3 & 4 Flat Step	Indoor EN115/JIS
68	DAA438JG14	Interior Panel, L.L. Right Side. For 2, 3 & 4 Flat Step	

Balustrade Interior Panel

OPAQUE INTERIOR PANEL, FOR 35°



Lower Landing = L.L.

DAA26228AM			
REF. No.	PART No.	DESCRIPTION	LOCATED
69	DAA438JH9	Interior Panel, L.L. Left Side. For 2, 3 & 4 Flat Step	Outdoor EN115/JIS
70	DAA438JH10	Interior Panel, L.L. Right Side. For 2, 3 & 4 Flat Step	
71	DAA438JH13	Interior Panel, L.L. Left Side. For 2, 3 & 4 Flat Step	Indoor EN115/JIS
72	DAA438JH14	Interior Panel, L.L. Left Side. For 2, 3 & 4 Flat Step	