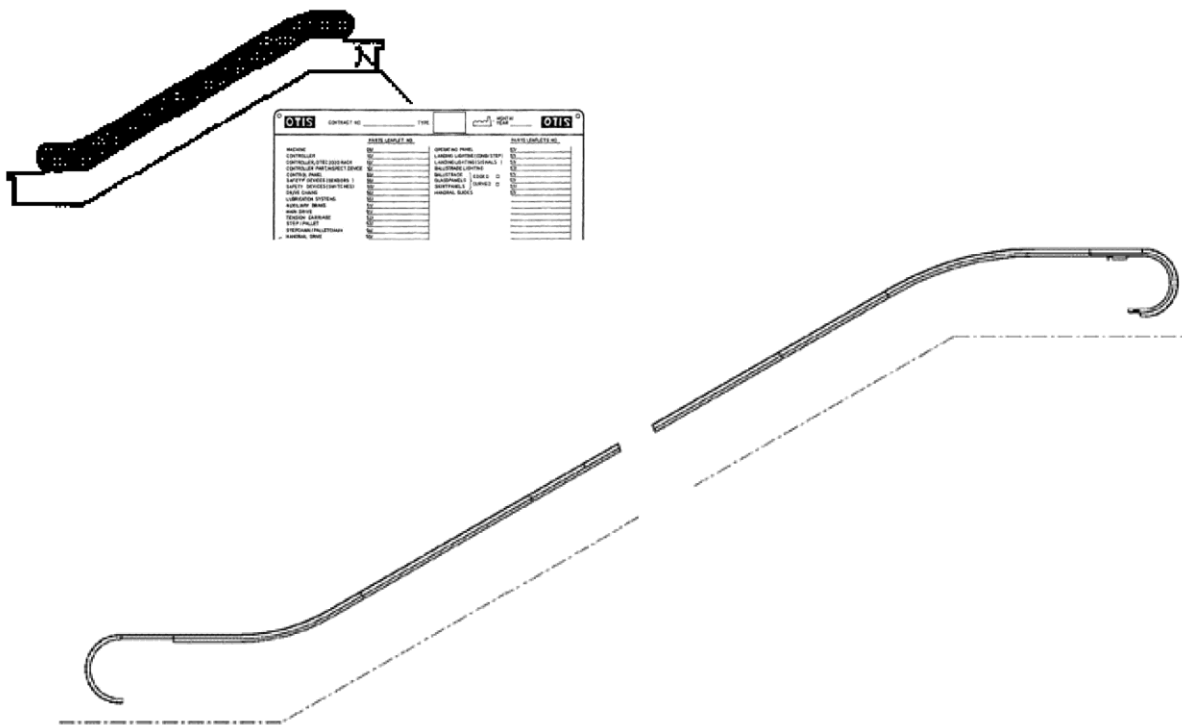


**512NCE / 515 NPE-S /
515NPE-L Escalator
Opaque Balustrade
Handrail Guide**

**Spare Parts Leaflet
57-DAA26228AN**

December 10, 2010 / Page 1 of 34



NOTE: The Left Side and Right Side mentioned in this document are determined when the passenger is standing at the lower landing facing the escalator.

Unpublished Work—©Otis Elevator Co.; 2010

OTIS

Safety First!

**ESCALATOR ENGINEERING
Otis Elevator Company
SIT Guangzhou**

Leaflet Description

Opaque balustrade handrail guide for 512NCE / 515NPE-S / 515NPE-L

Leaflet Revisions

Date Revised	Subject Matter Expert	Reason for Revision
August 30, 2007	Wang Shouhong	Release
June 20, 2008	Wang Shouhong	Update newel parts, see Ref. No. 74 – 101.
May 15, 2009	Wang Shouhong	Update to cover parts for 512NCE ANSI and parts for Heating System; GAA402CAG changed to DAA402DL. Product names LINK B/ LINK C changed to 515NPES / 515NPE-L.
Oct. 20, 2009	Wang Shouhong	Parts for 35° added on page 27-30. Parts for ANSI newel added on page 31-34.
Dec.10, 2010	Zhang, Hengxun	Page3: Delete DAA402BE3 & BE6; Page 6: Add ref. No. 33e~33h; Page 9: Add ref. No. 59a~59d; Page 10 :Add ref. No. 122a~122d; Page 21: Add ref. No. 140a~140d; Page 27: Add ref. No. 168a~168d; Page 28: Add ref. No. 176a~176d; Page 29: Add ref. No. 184a~184d; Page 30: Add ref. No. 192a~192d.

Related Drawings

Drawing No.	Title	Drawing No.	Title
DAA26228AN	Balustrade Handrail Guide	DAA26228CF	Balustrade Handrail Guide

Related Documents

Document ID	Title
ODS DAA27076B	Balustrade Handrail Guide

Subject Matter Expert

Name	Department
Zhang, Hengxun	SIT-GUANGZHOU

About Spare Parts Leaflets...

This document lists the lowest replaceable units (LRUs) for the standard version of the product. The LRUs are chosen by a team of Otis associates representing engineering and manufacturing.

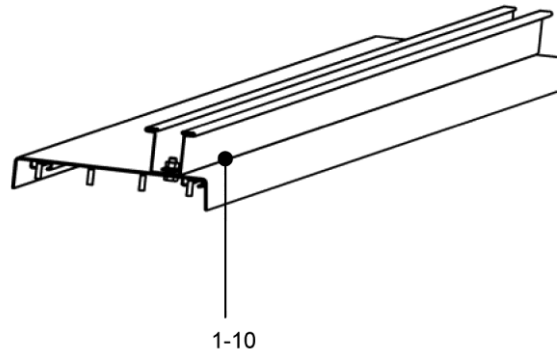
While goal of this document is to make parts identification as easy as possible, the document cannot be all-inclusive. Elevator and escalator contracts classified as “special” or “custom” are not addressed here. For such contracts, please refer to specified information, the contract folder, TIPs, Field Education Articles, Construction Letters, etc. for further information.

If you have any suggestions about this document, please contact the subject matter expert listed on this page.

512NCE/515NPE-S/515NPE-L Opaque Balustrade Handrail Guide

57-DAA26228AN

NOT FOR HANDRAIL HEATING SYSTEM

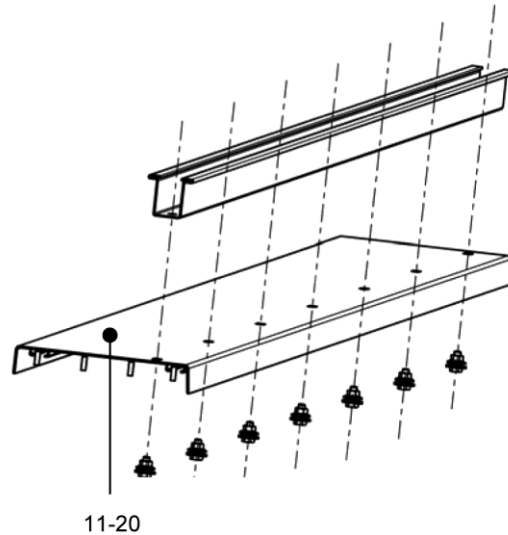


DAA26228AN			
REF. No.	PART No.	DESCRIPTION	
1	DAA402BE1	Handrail Guide, For Inclined Section, Length: 2900 mm	Outdoor/Indoor - ANSI; Outdoor - EN115
2	DAA402BE4	Handrail Guide, For Inclined Section, Length: 2900 mm	Indoor EN115
3	DAA402BE2	Handrail Guide Transition, Upper Landing, Length: 1384 mm	Outdoor/Indoor - ANSI; Outdoor - EN115
4	DAA402BE5	Handrail Guide Transition, Upper Landing, Length: 1384 mm	Indoor EN115
5	DAA402BE3	Handrail guide, U.L. & L.L., only for 4 flat step, Length: 800 mm	Outdoor/Indoor - ANSI; Outdoor - EN115
6	DAA402BE6	Handrail guide, U.L. & L.L., only for 4 flat step, Length: 800 mm	Indoor EN115
7	DAA402BE-V1	Handrail Guide, Lower Landing, Variable Length, Per Spec.	Outdoor/Indoor - ANSI; Outdoor - EN115
8	DAA402BE-V3	Handrail Guide, Lower Landing, Variable Length, Per Spec.	Indoor EN115
9	DAA402BE-V2	Handrail Guide, Lower Landing, Variable Length, Per Spec.	Outdoor/Indoor - ANSI; Outdoor - EN115
10	DAA402BE-V4	Handrail Guide, Lower Landing, Variable Length, Per Spec.	Indoor EN115

57-DAA26228AN

512NCE/515NPE-S/515NPE-L Opaque Balustrade Handrail Guide

NOT FOR HANDRAIL HEATING SYSTEM



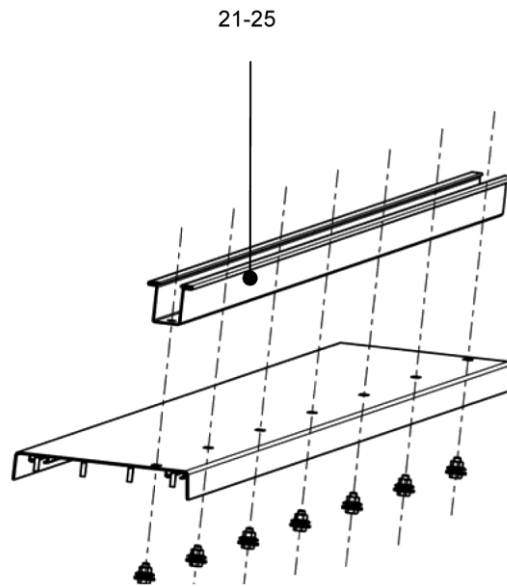
DAA26228AN

REF. No.	PART No.	DESCRIPTION	
11	DAA402BP1	Handrail Guide Support, For Inclined Section, Length: 2900 mm	Outdoor/Indoor - ANSI; Outdoor - EN115
12	DAA402BP4	Handrail Guide Support, For Inclined Section, Length: 2900 mm	Indoor EN115
13	DAA402BP2	Handrail Guide Transition Support, Upper Landing, Length: 1384 mm	Outdoor/Indoor - ANSI; Outdoor - EN115
14	DAA402BP5	Handrail Guide Transition Support, Upper Landing, Length: 1384 mm	Indoor EN115
15	DAA402BP3	Handrail Guide Support, Upper Landing, Only For 4 Flat Step, Length: 800 mm	Outdoor/Indoor - ANSI; Outdoor - EN115
16	DAA402BP6	Handrail Guide Support, Upper Landing, Only For 4 Flat Step, Length: 800 mm	Indoor EN115
17	DAA402BP-V1	Handrail Guide Support, Lower Landing, Variable Length, Per Spec.	Outdoor/Indoor - ANSI; Outdoor - EN115
18	DAA402BP-V3	Handrail Guide Support, Lower Landing, Variable Length, Per Spec.	Indoor EN115
19	DAA402BP-V2	Handrail Guide Support, Lower Landing, Variable Length, Per Spec.	Outdoor/Indoor - ANSI; Outdoor - EN115
20	DAA402BP-V4	Handrail Guide Support, Lower Landing, Variable Length, Per Spec.	Indoor EN115

**512NCE/515NPE-S/515NPE-L
Opaque Balustrade Handrail Guide**

57-DAA26228AN

NOT FOR HANDRAIL HEATING SYSTEM

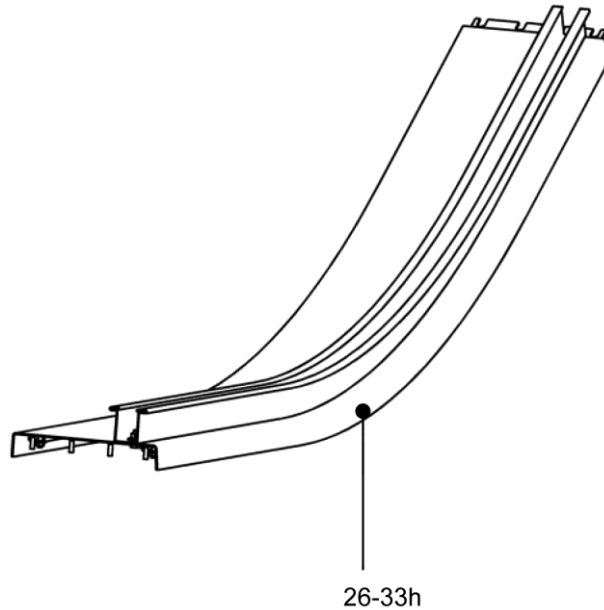


DAA26228AN		
REF. No.	PART No.	DESCRIPTION
21	DAA402DL1	Handrail Guide, 2900 mm, for Inclined Section
22	DAA402DL2	Handrail Guide Transition, Upper Landing, 1384 mm
23	DAA402DL4	Handrail Guide, Upper Landing, 800 mm, Only for 4 Flat Step
24	DAA402DL-V1	Handrail Guide, Lower Landing, Variable Length, Per Spec.
25	DAA402DL-V2	Handrail Guide, Lower Landing, Variable Length, Per Spec.

57-DAA26228AN

**512NCE/515NPE-S/515NPE-L
Opaque Balustrade Handrail Guide**

NOT FOR HANDRAIL HEATING SYSTEM



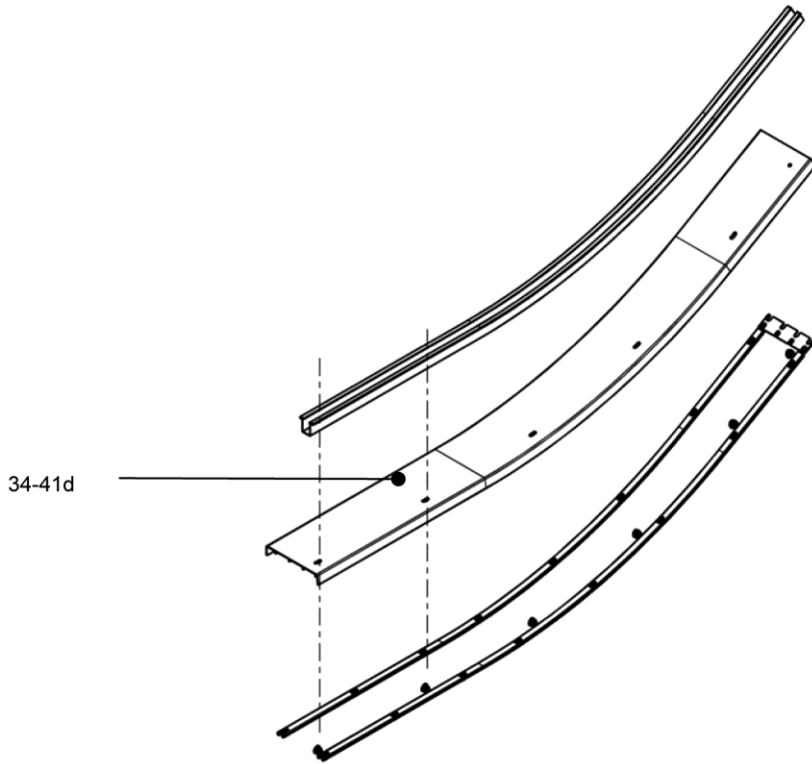
DAA26228AN

REF. No.	PART No.	DESCRIPTION	
26	DAA402BD1	Handrail Guide, Lower Landing Curve, Left Side, For 2 Flat Step	515NPE-S EN115 / JIS
27	DAA402BD2	Handrail Guide, Lower Landing Curve, Right Side, For 2 Flat Step	
28	DAA402BD3	Handrail Guide, Lower Landing Curve, Left Side, For 3 Flat Step	
29	DAA402BD4	Handrail Guide, Lower Landing Curve, Right Side, For 3 Flat Step	
30	DAA402BD5	Handrail Guide, Lower Landing Curve, Left Side, For 2 Flat Step	515NPE-L EN115 / JIS
31	DAA402BD6	Handrail Guide, Lower Landing Curve, Right Side, For 2 Flat Step	
32	DAA402BD7	Handrail Guide, Lower Landing Curve, Left Side, For 3 Flat Step	
33	DAA402BD8	Handrail Guide, Lower Landing Curve, Right Side, For 3 Flat Step	
33a	DAA402BD9	Handrail Guide, Lower Landing Curve, Left Side, For 2 Flat Step	512NCE ANSI
33b	DAA402BD10	Handrail Guide, Lower Landing Curve, Right Side, For 2 Flat Step	
33c	DAA402BD11	Handrail Guide, Lower Landing Curve, Left Side, For 3 Flat Step	
33d	DAA402BD12	Handrail Guide, Lower Landing Curve, Right Side, For 3 Flat Step	
33e	DAA402BD13	Handrail Guide, Lower Landing Curve, Left Side, For 4 Flat Step	515NPE-S EN115 / JIS
33f	DAA402BD14	Handrail Guide, Lower Landing Curve, Right Side, For 4 Flat Step	
33g	DAA402BD15	Handrail Guide, Lower Landing Curve, Left Side, For 4 Flat Step	515NPE-L EN115 / JIS
33h	DAA402BD16	Handrail Guide, Lower Landing Curve, Right Side, For 4 Flat Step	

512NCE/515NPE-S/515NPE-L Opaque Balustrade Handrail Guide

57-DAA26228AN

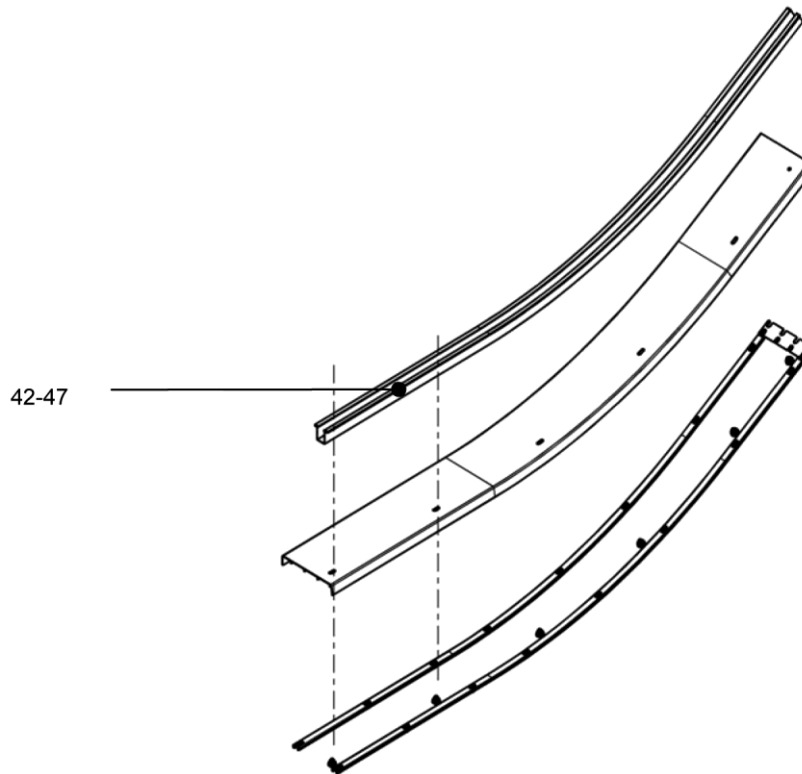
NOT FOR HANDRAIL HEATING SYSTEM



DAA26228AN			
REF. No.	PART No.	DESCRIPTION	
34	DAA402BG1	Handrail Guide Support, Lower Landing, Left Side, For 2 & 4 Flat Step	515NPE-S EN115 / JIS
35	DAA402BG2	Handrail Guide Support, Lower Landing, Right Side, For 2 & 4 Flat Step	
36	DAA402BG3	Handrail Guide Support, Lower Landing, Left Side, For 3 Flat Step	
37	DAA402BG4	Handrail Guide Support, Lower Landing, Right Side, For 3 Flat Step	
38	DAA402BG5	Handrail Guide Support, Lower Landing, Left Side, For 2 & 4 Flat Step	515NPE-L EN115 / JIS
39	DAA402BG6	Handrail Guide Support, Lower Landing, Right Side, For 2 & 4 Flat Step	
40	DAA402BG7	Handrail Guide Support, Lower Landing, Left Side, For 3 Flat Step	
41	DAA402BG8	Handrail Guide Support, Lower Landing, Right Side, For 3 Flat Step	
41a	DAA402BG9	Handrail Guide Support, Lower Landing, Left Side, For 2 Flat Step	512NCE ANSI
41b	DAA402BG10	Handrail Guide Support, Lower Landing, Right Side, For 2 Flat Step	
41c	DAA402BG11	Handrail Guide Support, Lower Landing, Left Side, For 3 Flat Step	
41d	DAA402BG12	Handrail Guide Support, Lower Landing, Right Side, For 3 Flat Step	

**512NCE/515NPE-S/515NPE-L
Opaque Balustrade Handrail Guide**

NOT FOR HANDRAIL HEATING SYSTEM

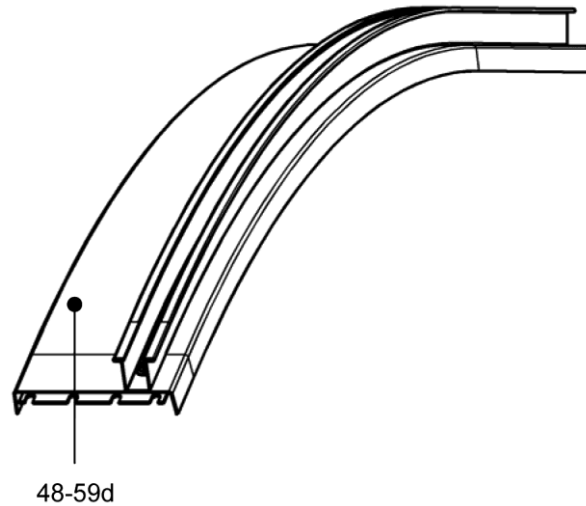


DAA26228AN			
REF. No.	PART No.	DESCRIPTION	
42	GAA402BRN1	Handrail Guide, Lower Landing, For 2 & 4 Flat Step	515NPE-L EN115 / JIS
43	GAA402BRN2	Handrail Guide, Lower Landing, For 3 Flat Step	
44	GAA402BRN7	Handrail Guide, Lower Landing, For 2 & 4 Flat Step	515NPE-S EN115 / JIS
45	GAA402BRN8	Handrail Guide, Lower Landing, For 3 Flat Step	
46	GAA402BRN11	Handrail Guide, Lower Landing, For 2 Flat Step	512NCE ANSI
47	GAA402BRN12	Handrail Guide, Lower Landing, For 3 Flat Step	

512NCE/515NPE-S/515NPE-L Opaque Balustrade Handrail Guide

57-DAA26228AN

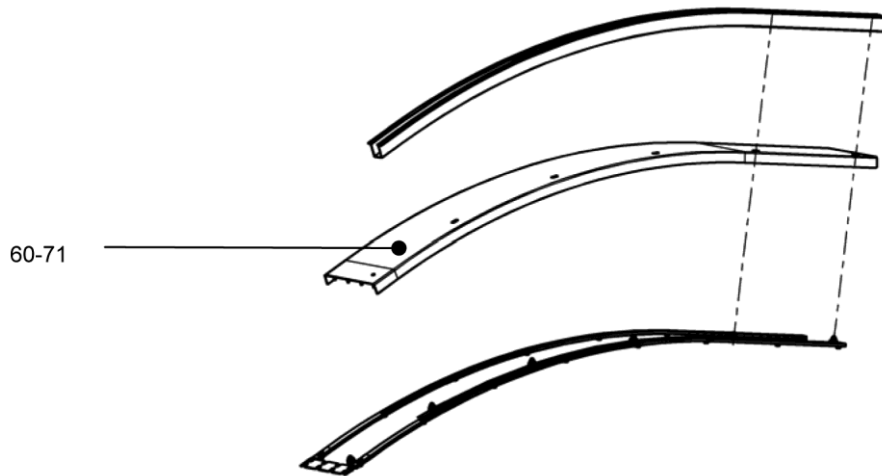
NOT FOR HANDRAIL HEATING SYSTEM



DAA26228AN			
REF. No.	PART No.	DESCRIPTION	
48	DAA402BC1	Handrail Guide, Upper Landing Curve, Left Side, For 2 Flat Step	515NPE-S EN115/ JIS
49	DAA402BC2	Handrail Guide, Upper Landing Curve, Right Side, For 2 Flat Step	
50	DAA402BC3	Handrail Guide, Upper Landing Curve, Left Side, For 3 Flat Step	
51	DAA402BC4	Handrail Guide, Upper Landing Curve, Right Side, For 3 Flat Step	
52	DAA402BC5	Handrail Guide, Upper Landing Curve, Left Side, For 2 Flat Step	515NPE-L EN115/ JIS
53	DAA402BC6	Handrail Guide, Upper Landing Curve, Right Side, For 2 Flat Step	
54	DAA402BC7	Handrail Guide, Upper Landing Curve, Left Side, For 3 Flat Step	
55	DAA402BC8	Handrail Guide, Upper Landing Curve, Right Side, For 3 Flat Step	
56	DAA402BC9	Handrail Guide, Upper Landing Curve, Left Side, For 2 Flat Step	512NCE ANSI
57	DAA402BC10	Handrail Guide, Upper Landing Curve, Right Side, For 2 Flat Step	
58	DAA402BC11	Handrail Guide, Upper Landing Curve, Left Side, For 3 Flat Step	
59	DAA402BC12	Handrail Guide, Upper Landing Curve, Right Side, For 3 Flat Step	
59a	DAA402BC13	Handrail Guide, Upper Landing Curve, Left Side, For 4 Flat Step	515NPE-S EN115/ JIS
59b	DAA402BC14	Handrail Guide, Upper Landing Curve, Right Side, For 4 Flat Step	
59c	DAA402BC15	Handrail Guide, Upper Landing Curve, Left Side, For 4 Flat Step	515NPE-L EN115/ JIS
59d	DAA402BC16	Handrail Guide, Upper Landing Curve, Right Side, For 4 Flat Step	

**512NCE/515NPE-S/515NPE-L
Opaque Balustrade Handrail Guide**

NOT FOR HANDRAIL HEATING SYSTEM



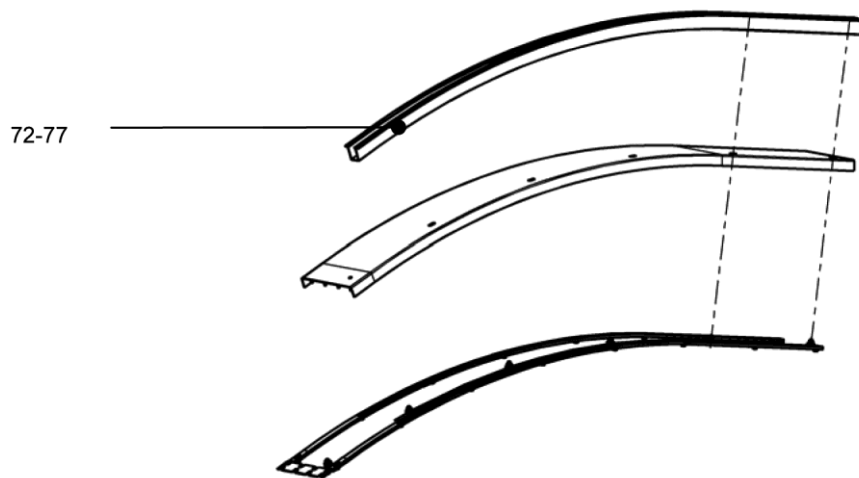
DAA26228AN

REF. No.	PART No.	DESCRIPTION	
60	DAA402BF1	Handrail Guide Support, Upper Landing, Left Side, For 2 & 4 Flat Step	515NPE-S EN115/ JIS
61	DAA402BF2	Handrail Guide Support, Upper Landing, Right Side, For 2 & 4 Flat Step	
62	DAA402BF3	Handrail Guide Support, Upper Landing, Left Side, For 3 Flat Step	
63	DAA402BF4	Handrail Guide Support, Upper Landing, Right Side, For 3 Flat Step	
64	DAA402BF5	Handrail Guide Support, Upper Landing, Left Side, For 2 & 4 Flat Step	515NPE-L EN115/ JIS
65	DAA402BF6	Handrail Guide Support, Upper Landing, Right Side, For 2 & 4 Flat Step	
66	DAA402BF7	Handrail Guide Support, Upper Landing, Left Side, For 3 Flat Step	
67	DAA402BF8	Handrail Guide Support, Upper Landing, Right Side, For 3 Flat Step	
68	DAA402BF9	Handrail Guide Support, Upper Landing, Left Side, For 2 Flat Step	512NCE ANSI
69	DAA402BF10	Handrail Guide Support, Upper Landing, Right Side, For 2 Flat Step	
70	DAA402BF11	Handrail Guide Support, Upper Landing, Left Side, For 3 Flat Step	
71	DAA402BF12	Handrail Guide Support, Upper Landing, Right Side, For 3 Flat Step	

**512NCE/515NPE-S/515NPE-L
Opaque Balustrade Handrail Guide**

57-DAA26228AN

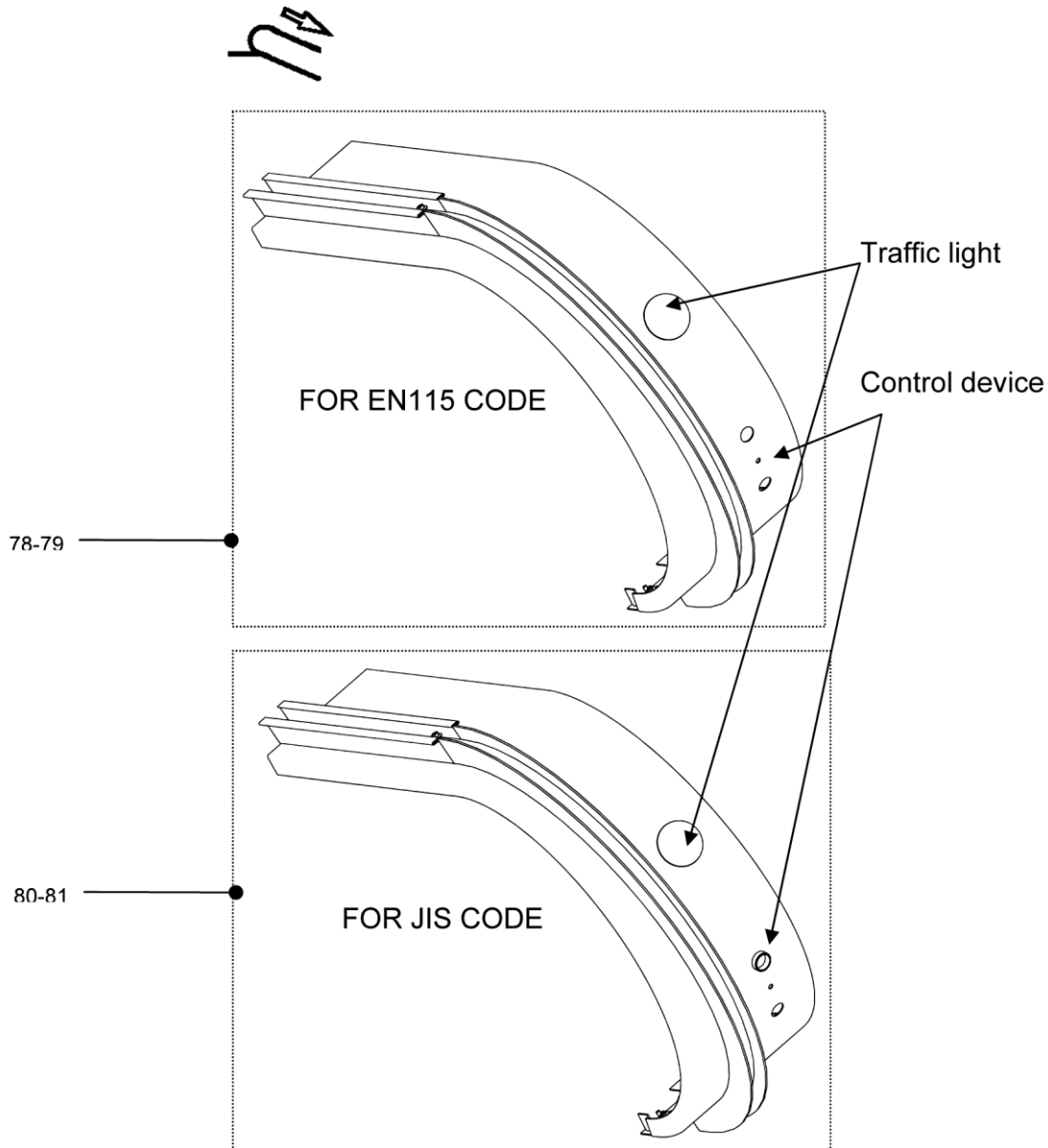
NOT FOR HANDRAIL HEATING SYSTEM



DAA26228AN			
REF. No.	PART No.	DESCRIPTION	
72	GAA402BRJ1	Handrail Guide, Upper Landing, For 2 & 4 Flat Step	515NPE-L EN115 / JIS
73	GAA402BRJ2	Handrail Guide, Upper Landing, For 3 Flat Step	
74	GAA402BRJ7	Handrail Guide, Upper Landing, For 2 & 4 Flat Step	515NPE-S EN115 / JIS
75	GAA402BRJ8	Handrail Guide, Upper Landing, For 3 Flat Step	
76	GAA402BRJ11	Handrail Guide, Upper Landing, For 2 Flat Step	512NCE ANSI
77	GAA402BRJ12	Handrail Guide, Upper Landing, For 3 Flat Step	

**512NCE/515NPE-S/515NPE-L
Opaque Balustrade Handrail Guide**

**NOT FOR HANDRAIL HEATING SYSTEM
UPPER LANDING LEFT SIDE**



DAA26228AN

REF. No.	PART No.	DESCRIPTION
78	DAA402CE1	Semi Circular Newel Assembly, w/Control Device, w/o Traffic Light, Not for JIS
79	DAA402CE3	Semi Circular Newel Assembly, w/Control Device, w/Traffic Light, Not for JIS
80	DAA402CE11	Semi Circular Newel Assembly, w/Control Device, w/o Traffic Light, for JIS
81	DAA402CE12	Semi Circular Newel Assembly, w/Control Device, w/Traffic Light, for JIS

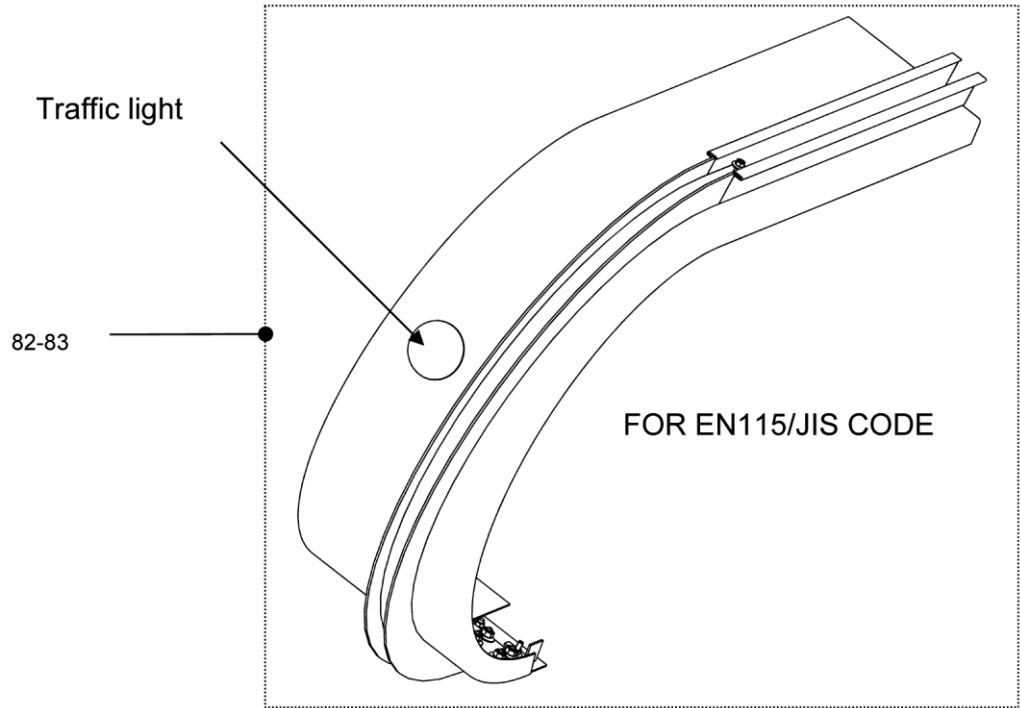
512NCE/515NPE-S/515NPE-L
Opaque Balustrade Handrail Guide

57-DAA26228AN

NOT FOR HANDRAIL HEATING SYSTEM

UPPER LANDING RIGHT SIDE
LOWER LANDING LEFT SIDE

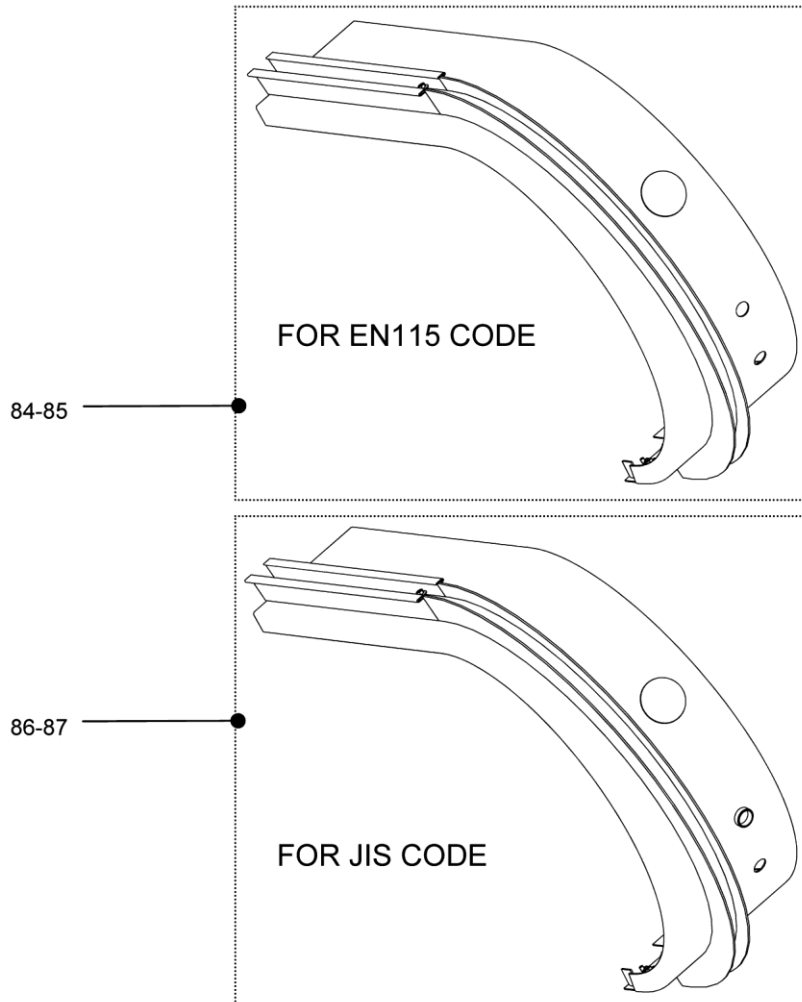
4/4/11



DAA26228AN		
REF. No.	PART No.	DESCRIPTION
82	DAA402CE2	Semi Circular Newel Assembly, w/o Traffic Light
83	DAA402CE4	Semi Circular Newel Assembly, w/Traffic Light

**512NCE/515NPE-S/515NPE-L
Opaque Balustrade Handrail Guide**

**NOT FOR HANDRAIL HEATING SYSTEM
LOWER LANDING RIGHT SIDE**

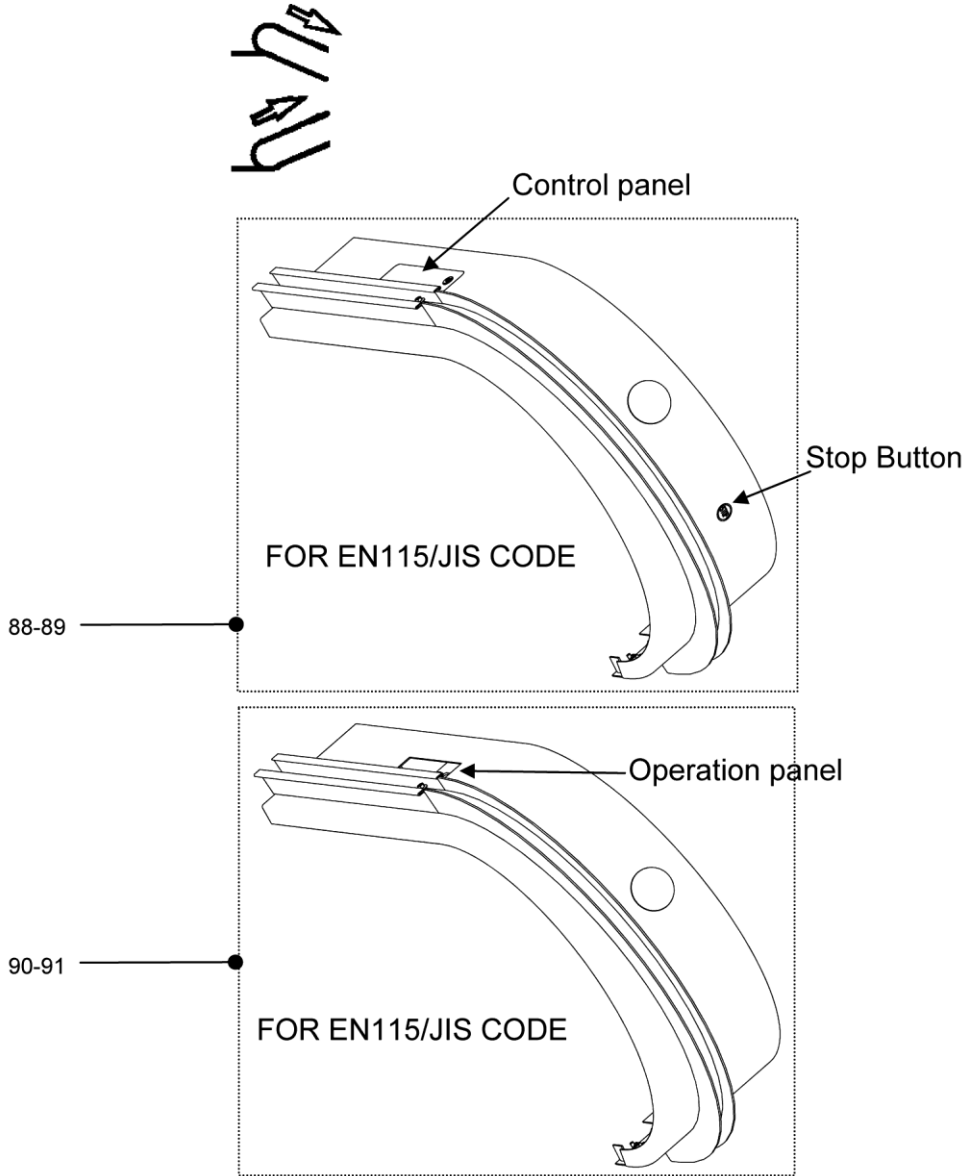


DAA26228AN		
REF. No.	PART No.	DESCRIPTION
84	DAA402CE5	Semi Circular Newel Assembly, w/Control Device, w/o Traffic Light, Not for JIS
85	DAA402CE6	Semi Circular Newel Assembly, w/Control Device, w/Traffic Light, Not for JIS
86	DAA402CE13	Semi Circular Newel Assembly, w/Control Device, w/o Traffic Light, for JIS
87	DAA402CE14	Semi Circular Newel Assembly, w/Control Device, w/Traffic Light, for JIS

512NCE/515NPE-S/515NPE-L Opaque Balustrade Handrail Guide

57-DAA26228AN

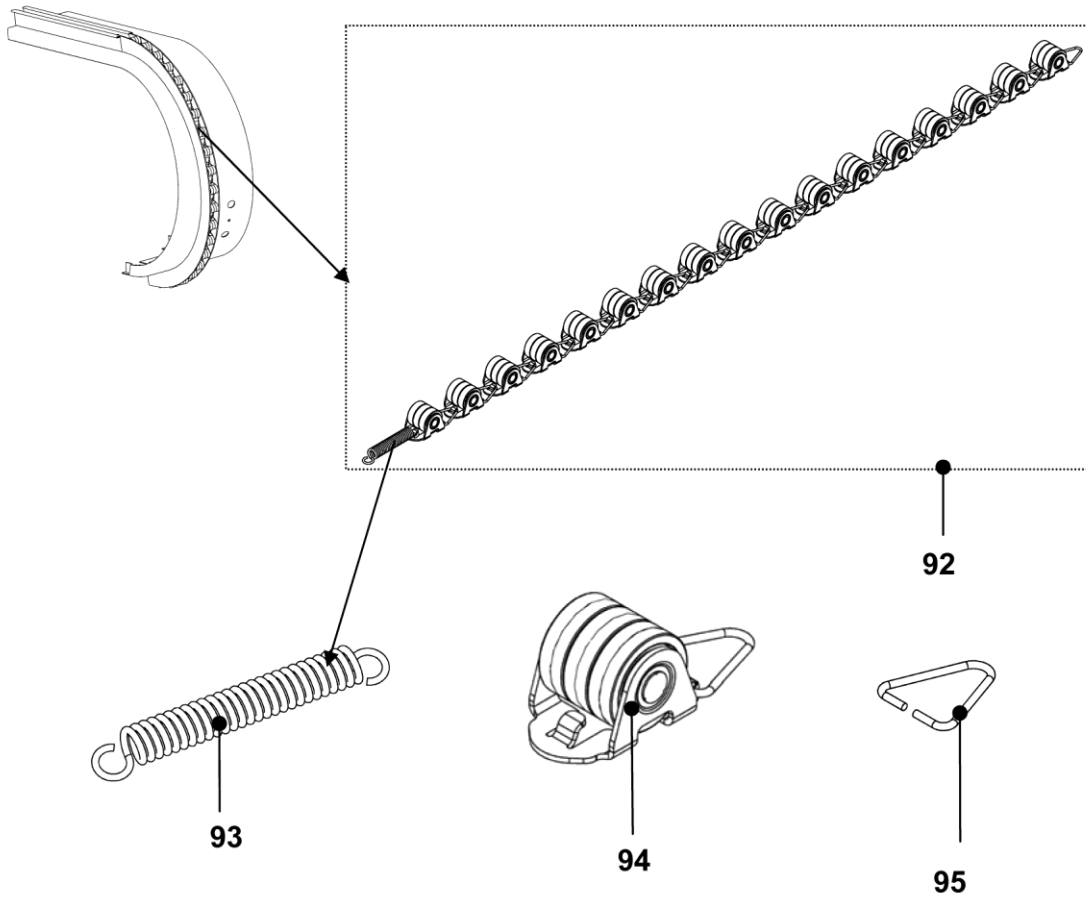
NOT FOR HANDRAIL HEATING SYSTEM
UPPER LANDING LEFT SIDE LOWER LANDING RIGHT SIDE



DAA26228AN		
REF. No.	PART No.	DESCRIPTION
88	DAA402CE7	Semi Circular Newel Assembly, w/Control Panel, w/o Traffic Light
89	DAA402CE8	Semi Circular Newel Assembly, w/Control Panel, w/Traffic Light
90	DAA402CE9	Semi Circular Newel Assembly, w/Operation Panel, w/o Traffic Light
91	DAA402CE10	Semi Circular Newel Assembly, w/Operation Panel, w/Traffic Light

57-DAA26228AN

512NCE/515NPE-S/515NPE-L Opaque Balustrade Handrail Guide

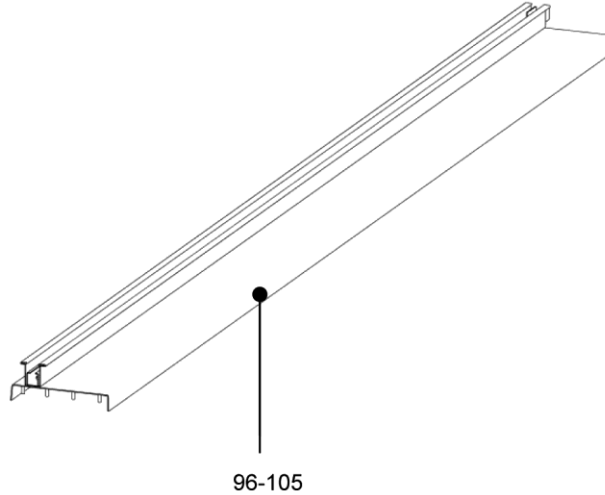


DAA26228AN		
REF. No.	PART No.	DESCRIPTION
92	DAA332N3	Roller chain
93	DAA91C1	Spring
94	DAA456S1	Roller
95	DAA94C1	Triangle spring

512NCE/515NPE-S/515NPE-L Opaque Balustrade Handrail Guide

57-DAA26228AN

FOR HANDRAIL HEATING SYSTEM

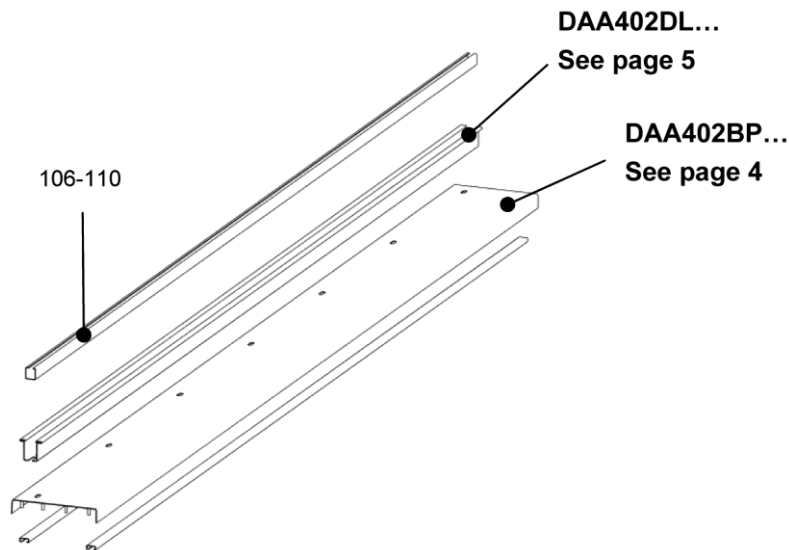


DAA26228AN			
REF. No.	PART No.	DESCRIPTION	
96	DAA402GM1	Handrail guide, for Inclined section, Length: 2900 mm	Outdoor/Indoor - ANSI Outdoor - EN115
97	DAA402GM4	Handrail Guide, for Inclined Section, Length: 2900 mm	Indoor - EN115
98	DAA402GM2	Handrail Guide Transition, Upper Landing, Length: 1384 mm	Outdoor/Indoor - ANSI Outdoor - EN115
99	DAA402GM5	Handrail Guide Transition, Upper Landing, Length: 1384 mm	Indoor - EN115
100	DAA402GM3	Handrail Guide, Upper Landing & Lower Landing, Only for 4 Flat Step, Length: 800 mm	Outdoor/Indoor - ANSI Outdoor - EN115
101	DAA402GM6	Handrail Guide, Upper Landing & Lower Landing, Only for 4 Flat Step, Length: 800 mm	Indoor - EN115
102	DAA402GM-V1	Handrail Guide, Lower Landing, Variable Length, per Spec.	Outdoor/Indoor - ANSI Outdoor - EN115
103	DAA402GM-V3	Handrail Guide, Lower Landing, Variable Length, per Spec.	Indoor - EN115
104	DAA402GM-V2	Handrail Guide, Lower Landing, Variable Length, per Spec.	Outdoor/Indoor - ANSI Outdoor - EN115
105	DAA402GM-V4	Handrail Guide, Lower Landing, Variable Length, per Spec.	Indoor - EN115

57-DAA26228AN

**512NCE/515NPE-S/515NPE-L
Opaque Balustrade Handrail Guide**

FOR HANDRAIL HEATING SYSTEM



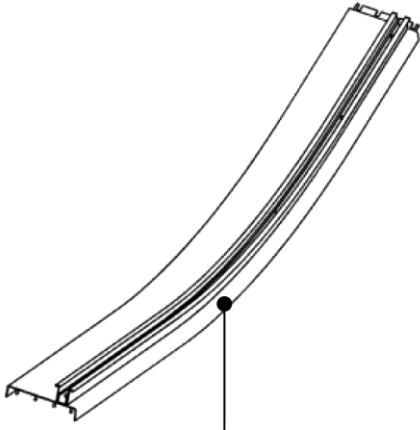
DAA26228AN			
REF. No.	PART No.	DESCRIPTION	
106	DAA402GN1	Handrail Guide Profile, for Inclined Section, Length: 2900 mm	ANSI / EN115 / JIS
107	DAA402GN4	Handrail Guide Profile, for Inclined Section, Length: 800 mm, Only for 4 Flat Step	EN115 / JIS
108	DAA402GN2	Handrail Guide Transition Profile, Upper Landing, Length: 1384 mm	ANSI / EN115 / JIS
109	DAA402GN-V1	Handrail Guide Profile, Lower Landing, Variable Length, per Spec.	ANSI / EN115 / JIS
110	DAA402GN-V2	Handrail Guide Profile, Lower Landing, Variable Length, per Spec.	ANSI / EN115 / JIS

512NCE/515NPE-S/515NPE-L Opaque Balustrade Handrail Guide

57-DAA26228AN

FOR HANDRAIL HEATING SYSTEM

30°



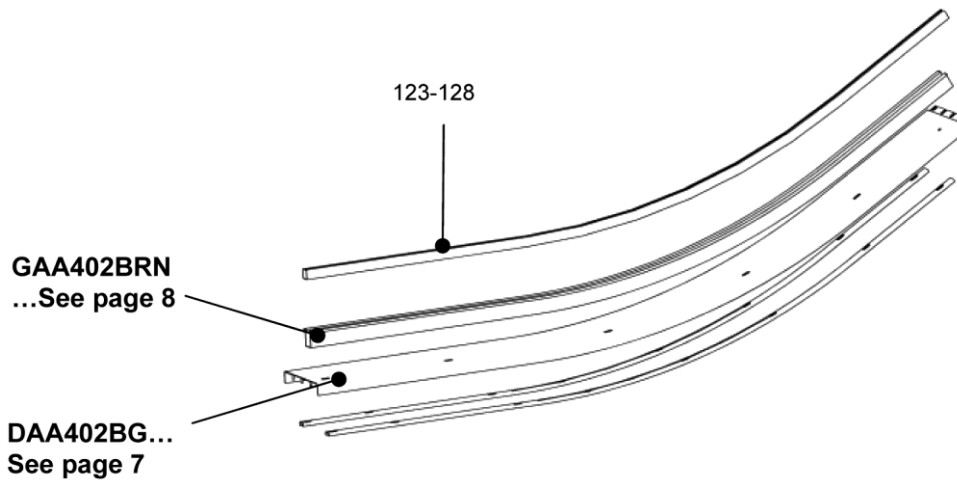
111-122d

DAA26228AN

REF. No.	PART No.	DESCRIPTION	
111	DAA402GL1	Handrail Guide, Lower Landing Curve, Left Side, for 2 Flat Step	515NPE-S EN115 / JIS
112	DAA402GL2	Handrail Guide, Lower Landing Curve, Right Side, for 2 Flat Step	
113	DAA402GL3	Handrail Guide, Lower Landing Curve, Left Side, for 3 Flat Step	
114	DAA402GL4	Handrail Guide, Lower Landing Curve, Right Side, for 3 Flat Step	
115	DAA402GL5	Handrail Guide, Lower Landing Curve, Left Side, for 2 Flat Step	515NPE-L EN115 / JIS
116	DAA402GL6	Handrail Guide, Lower Landing Curve, Right Side, for 2 Flat Step	
117	DAA402GL7	Handrail Guide, Lower Landing Curve, Left Side, for 3 Flat Step	
118	DAA402GL8	Handrail Guide, Lower Landing Curve, Right Side, for 3 Flat Step	
119	DAA402GL9	Handrail Guide, Lower Landing Curve, Left Side, for 2 Flat Step	512NCE ANSI
120	DAA402GL10	Handrail Guide, Lower Landing Curve, Right Side, for 2 Flat Step	
121	DAA402GL11	Handrail Guide, Lower Landing Curve, Left Side, for 3 Flat Step	
122	DAA402GL12	Handrail Guide, Lower Landing Curve, Right Side, for 3 Flat Step	
122a	DAA402GL13	Handrail Guide, Lower Landing Curve, Left Side, for 4 Flat Step	515NPE-S EN115 / JIS
122b	DAA402GL14	Handrail Guide, Lower Landing Curve, Right Side, for 4 Flat Step	
122c	DAA402GL15	Handrail Guide, Lower Landing Curve, Left Side, for 4 Flat Step	515NPE-L EN115 / JIS
122d	DAA402GL16	Handrail Guide, Lower Landing Curve, Right Side, for 4 Flat Step	

**512NCE/515NPE-S/515NPE-L
Opaque Balustrade Handrail Guide**

FOR HANDRAIL HEATING SYSTEM

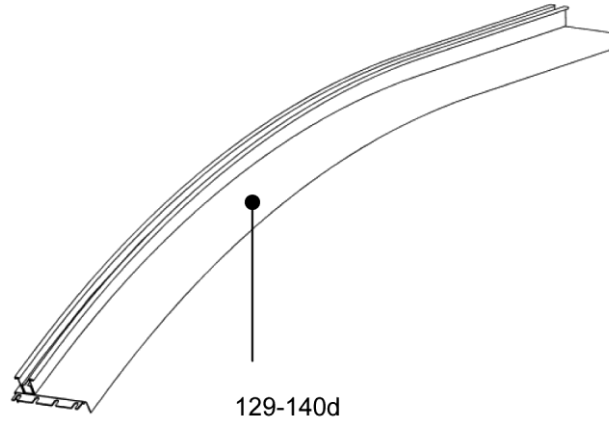


DAA26228AN			
REF. No.	PART No.	DESCRIPTION	
123	DAA402GQ1	Handrail Guide Support, Lower Landing for 2 & 4 Flat Step	515NPE-S EN115 / JIS
124	DAA402GQ2	Handrail Guide Support, Lower Landing, for 3 Flat Step	
125	DAA402GQ3	Handrail Guide Support, Lower Landing, for 2 & 4 Flat Step	515NPE-L EN115 / JIS
126	DAA402GQ4	Handrail Guide Support, Lower Landing, for 3 Flat Step	
127	DAA402GQ5	Handrail Guide Support, Lower Landing, for 2 Flat Step	512NCE ANSI
128	DAA402GQ6	Handrail Guide Support, Lower Landing, for 3 Flat Step	

512NCE/515NPE-S/515NPE-L
Opaque Balustrade Handrail Guide

57-DAA26228AN

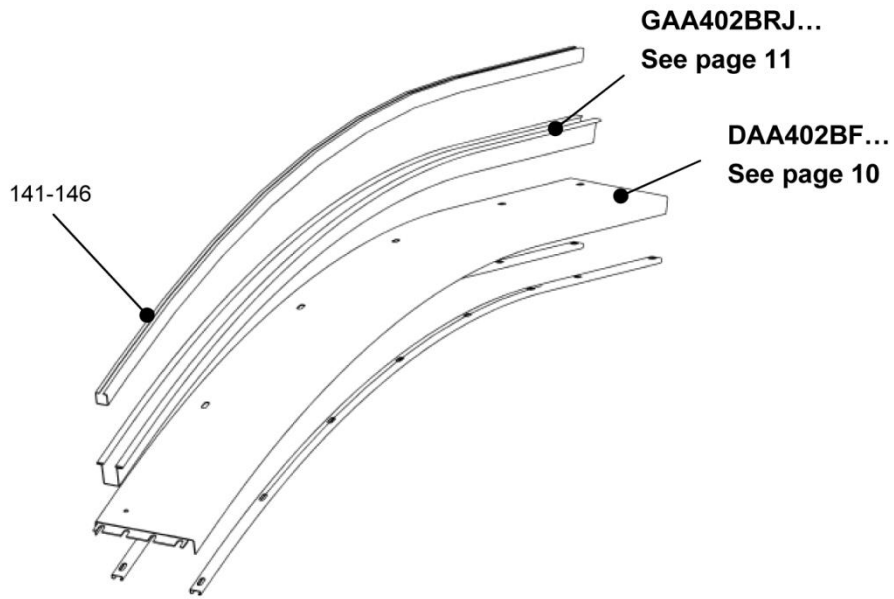
FOR HANDRAIL HEATING SYSTEM
30°



DAA26228AN			
REF. No.	PART No.	DESCRIPTION	
129	DAA402GK1	Handrail Guide, Upper Landing Curve, Left Side, For 2 Flat Step	515NPE-S EN115/ JIS
130	DAA402GK2	Handrail Guide, Upper Landing Curve, Right Side, For 2 Flat Step	
130	DAA402GK3	Handrail Guide, Upper Landing Curve, Left Side, For 3 Flat Step	
132	DAA402GK4	Handrail Guide, Upper Landing Curve, Right Side, For 3 Flat Step	515NPE-L EN115/ JIS
133	DAA402GK5	Handrail Guide, Upper Landing Curve, Left Side, For 2 Flat Step	
134	DAA402GK6	Handrail Guide, Upper Landing Curve, Right Side, For 2 Flat Step	
135	DAA402GK7	Handrail Guide, Upper Landing Curve, Left Side, For 3 Flat Step	512NCE ANSI
136	DAA402GK8	Handrail Guide, Upper Landing Curve, Right Side, For 3 Flat Step	
137	DAA402GK9	Handrail Guide, Upper Landing Curve, Left Side, For 2 Flat Step	
138	DAA402GK10	Handrail Guide, Upper Landing Curve, Right Side, For 2 Flat Step	515NPE-S EN115/ JIS
139	DAA402GK11	Handrail Guide, Upper Landing Curve, Left Side, For 3 Flat Step	
140	DAA402GK12	Handrail Guide, Upper Landing Curve, Right Side, For 3 Flat Step	
140a	DAA402GK13	Handrail Guide, Upper Landing Curve, Left Side, For 4 Flat Step	515NPE-L EN115/ JIS
140b	DAA402GK14	Handrail Guide, Upper Landing Curve, Right Side, For 4 Flat Step	
140c	DAA402GK15	Handrail Guide, Upper Landing Curve, Left Side, For 4 Flat Step	515NPE-L EN115/ JIS
140d	DAA402GK16	Handrail Guide, Upper Landing Curve, Right Side, For 4 Flat Step	

**512NCE/515NPE-S/515NPE-L
Opaque Balustrade Handrail Guide**

FOR HANDRAIL HEATING SYSTEM



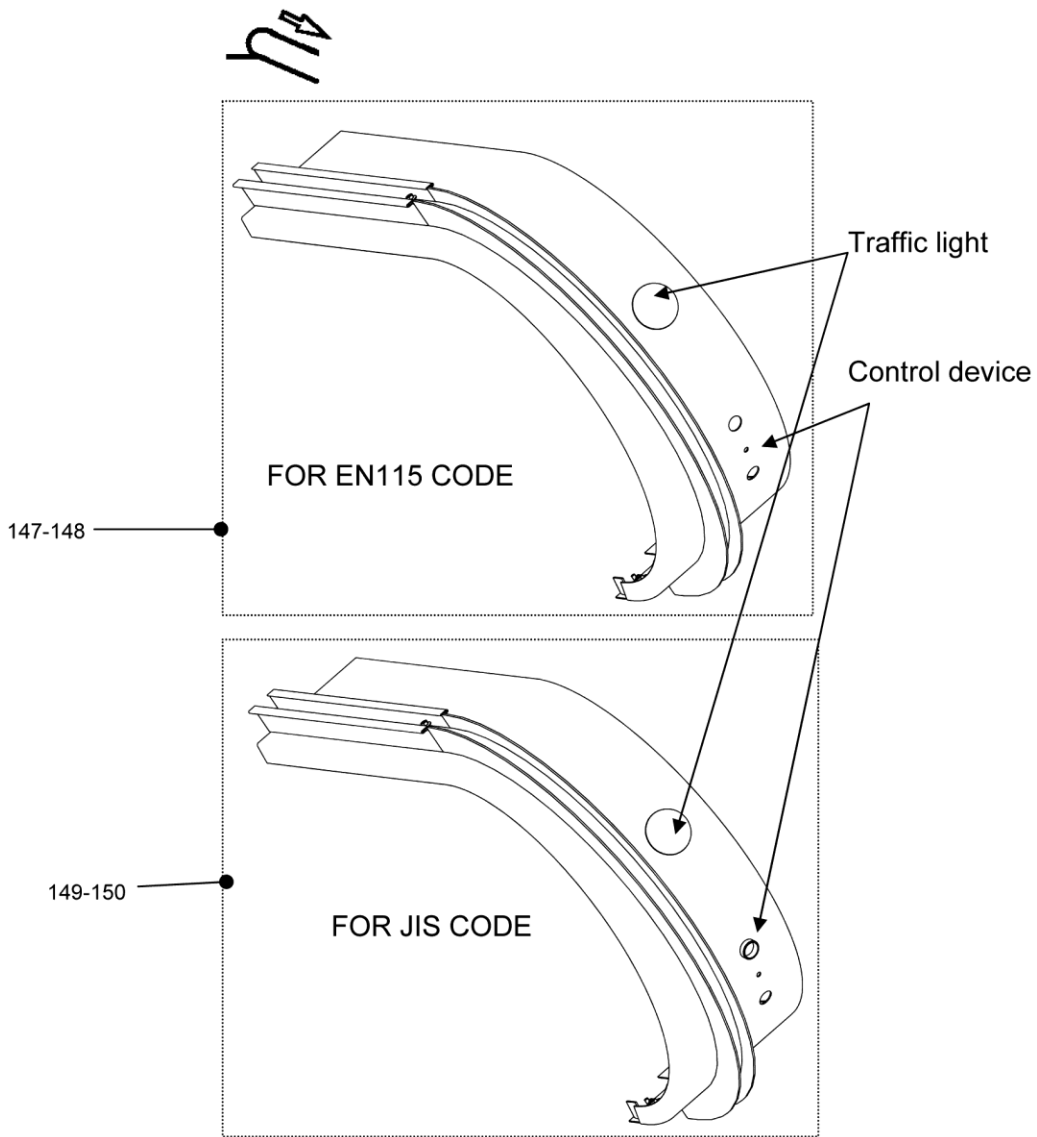
DAA26228AN

REF. No.	PART No.	DESCRIPTION	
141	DAA402GP1	Handrail Guide Support, Upper Landing Curve, Left Side, For 2 & 4 Flat Step	515NPE-S EN115/ JIS
142	DAA402GP2	Handrail Guide Support, Upper Landing, Right Side, For 2 & 4 Flat Step	
143	DAA402GP3	Handrail Guide Support, Upper Landing, Left Side, For 3 Flat Step	515NPE-L EN115/ JIS
144	DAA402GP4	Handrail Guide Support, Upper Landing, Right Side, For 3 Flat Step	
145	DAA402GP5	Handrail Guide Support, Upper Landing, Left Side, For 2 & 4 Flat Step	512NCE ANSI
146	DAA402GP6	Handrail Guide Support, Upper Landing, Right Side, For 2 & 4 Flat Step	

512NCE/515NPE-S/515NPE-L Opaque Balustrade Handrail Guide

57-DAA26228AN

**FOR HANDRAIL HEATING SYSTEM
UPPER LANDING LEFT SIDE**

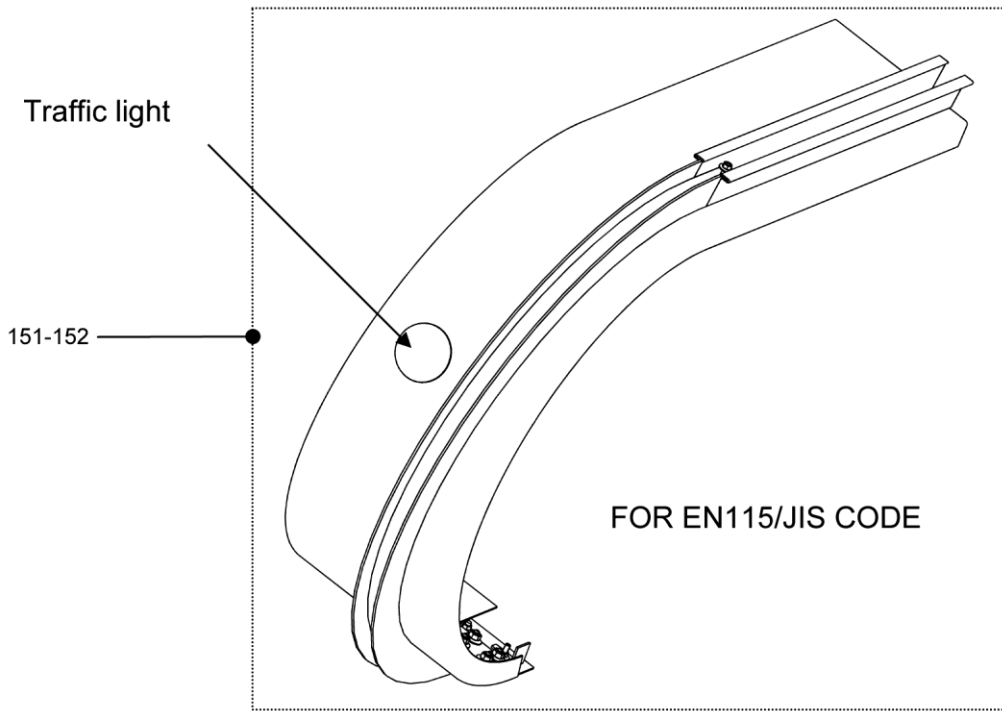


DAA26228AN		
REF. No.	PART No.	DESCRIPTION
147	DAA402GH1	Semi-Circular Newel Assembly, w/Control Device, w/o Traffic Light, Not For JIS
148	DAA402GH3	Semi-Circular Newel Assembly, w/Control Device, w/Traffic Light, Not For JIS
149	DAA402GH11	Semi-Circular Newel Assembly, w/Control Device, w/o Traffic Light, For JIS
150	DAA402GH12	Semi-Circular Newel Assembly, w/Control Device, w/Traffic Light, For JIS

**512NCE/515NPE-S/515NPE-L
Opaque Balustrade Handrail Guide**

**FOR HANDRAIL HEATING SYSTEM
UPPER LANDING RIGHT SIDE
LOWER LANDING LEFT SIDE**

57-DAA26228AN



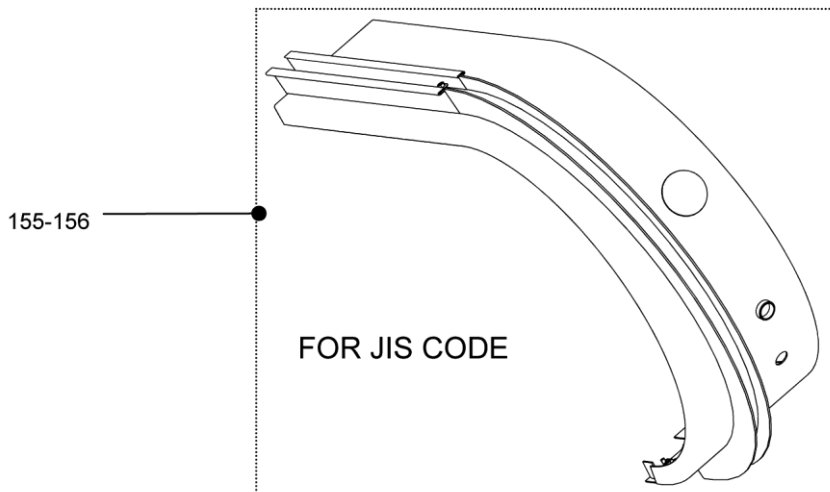
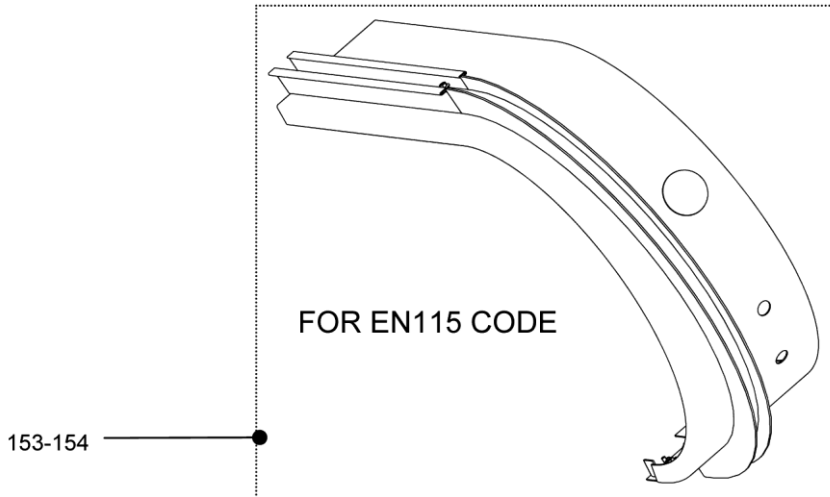
DAA26228AN

REF. No.	PART No.	DESCRIPTION
151	DAA402GH2	Semi Circular Newel Assembly, w/o Traffic Light
152	DAA402GH4	Semi Circular Newel Assembly, w/Traffic Light

512NCE/515NPE-S/515NPE-L Opaque Balustrade Handrail Guide

57-DAA26228AN

FOR HANDRAIL HEATING SYSTEM LOWER LANDING RIGHT SIDE

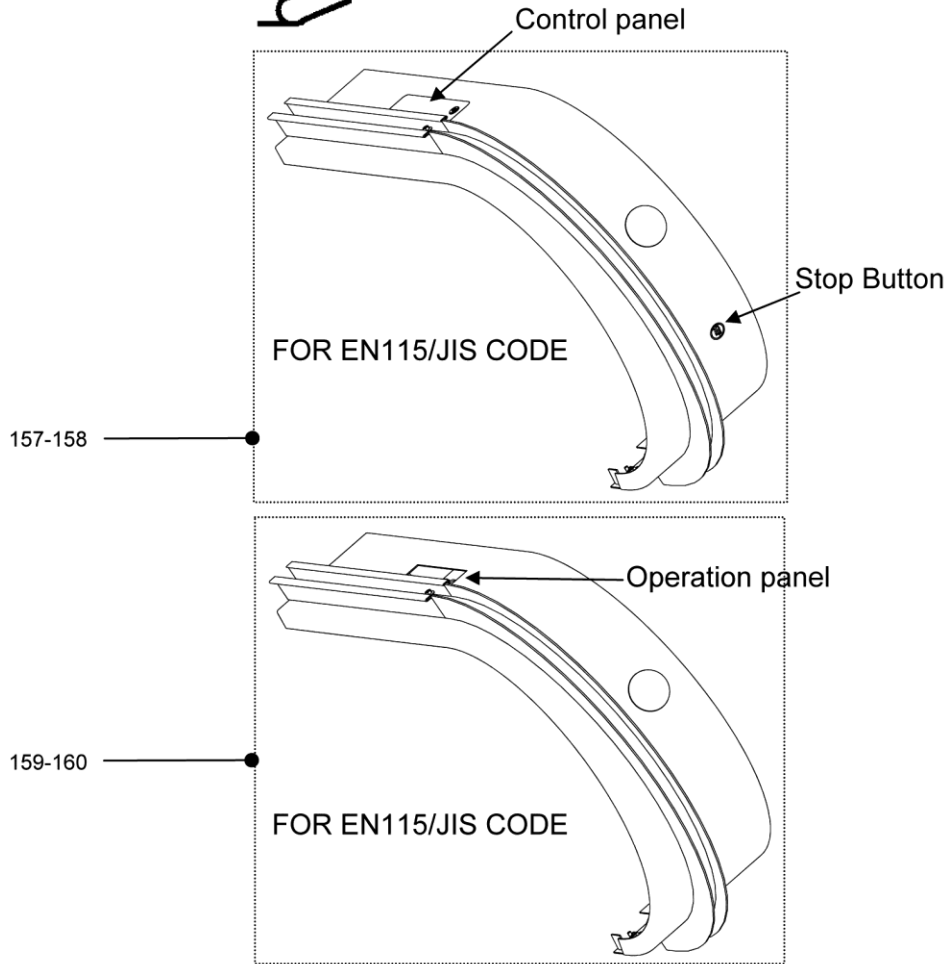


DAA26228AN		
REF. No.	PART No.	DESCRIPTION
153	DAA402GH5	Semi Circular Newel Assembly, w/Control Device, w/o Traffic Light, Not for JIS
154	DAA402GH6	Semi Circular Newel Assembly, w/Control Device, w/Traffic Light, Not for JIS
155	DAA402GH13	Semi Circular Newel Assembly, w/Control Device, w/o Traffic Light, for JIS
156	DAA402GH14	Semi Circular Newel Assembly, w/Control Device, w/Traffic Light, for JIS

**512NCE/515NPE-S/515NPE-L
Opaque Balustrade Handrail Guide**

FOR HANDRAIL HEATING SYSTEM

UPPER LANDING LEFT SIDE
LOWER LANDING RIGHT SIDE



DAA26228AN

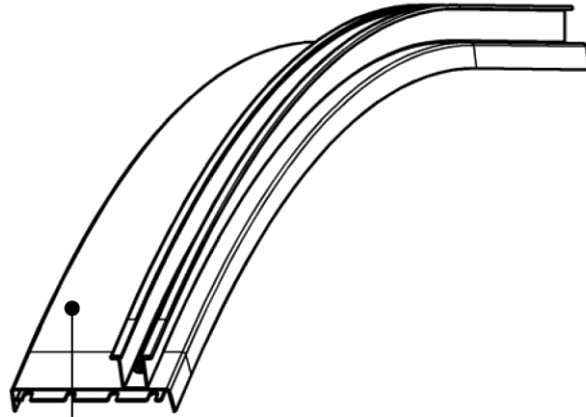
REF. No.	PART No.	DESCRIPTION
157	DAA402GH7	Semi Circular Newel Assembly, w/Control Panel, w/o Traffic Light
158	DAA402GH8	Semi Circular Newel Assembly, w/Control Panel, w/Traffic Light
159	DAA402GH9	Semi Circular Newel Assembly, w/Operation Panel, w/o Traffic Light
160	DAA402GH10	Semi Circular Newel Assembly, w/Operation Panel, w/Traffic Light

**512NCE/515NPE-S/515NPE-L
Opaque Balustrade Handrail Guide**

57-DAA26228AN

NOT FOR HANDRAIL HEATING SYSTEM

35°



161-168d

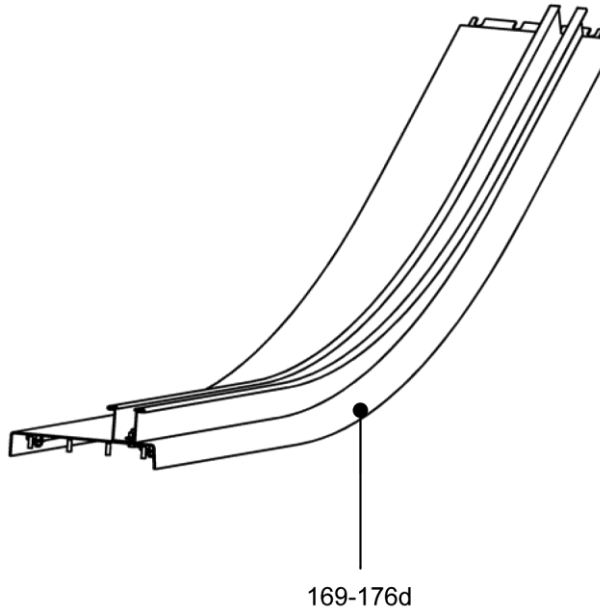
DAA26228AN

REF. No.	PART No.	DESCRIPTION	
161	DAA402MQ1	Handrail Guide, Upper Landing Curve, Left Side, For 2 Flat Step	515NPE-S EN115 / JIS
162	DAA402MQ2	Handrail Guide, Upper Landing Curve, Right Side, For 2 Flat Step	
163	DAA402MQ3	Handrail Guide, Upper Landing Curve, Left Side, For 3 Flat Step	
164	DAA402MQ4	Handrail Guide, Upper Landing Curve, Right Side, For 3 Flat Step	
165	DAA402MQ5	Handrail Guide, Upper Landing Curve, Left Side, For 2 Flat Step	515NPE-L EN115 / JIS
166	DAA402MQ6	Handrail Guide, Upper Landing Curve, Right Side, For 2 Flat Step	
167	DAA402MQ7	Handrail Guide, Upper Landing Curve, Left Side, For 3 Flat Step	
168	DAA402MQ8	Handrail Guide, Upper Landing Curve, Right Side, For 3 Flat Step	
168a	DAA402MQ9	Handrail Guide, Upper Landing Curve, Left Side, For 4 Flat Step	515NPE-S EN115 / JIS
168b	DAA402MQ10	Handrail Guide, Upper Landing Curve, Right Side, For 4 Flat Step	
168c	DAA402MQ11	Handrail Guide, Upper Landing Curve, Left Side, For 4 Flat Step	515NPE-L EN115 / JIS
168d	DAA402MQ12	Handrail Guide, Upper Landing Curve, Right Side, For 4 Flat Step	

**512NCE/515NPE-S/515NPE-L
Opaque Balustrade Handrail Guide**

NOT FOR HANDRAIL HEATING SYSTEM

35°



DAA26228AN

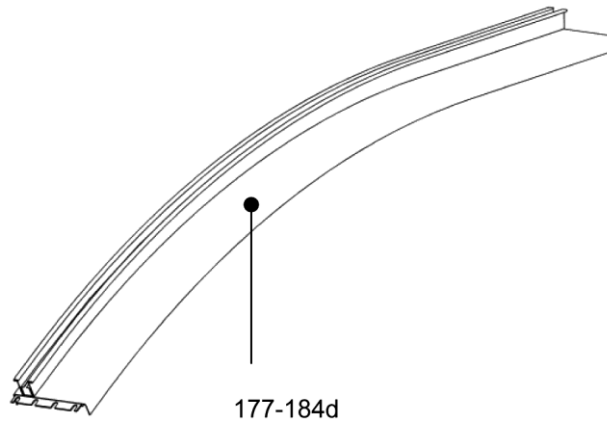
REF. No.	PART No.	DESCRIPTION	
169	DAA402MS1	Handrail Guide, Lower Landing Curve, Left Side, For 2 Flat Step	515NPE-S EN115 / JIS
170	DAA402MS2	Handrail Guide, Lower Landing Curve, Right Side, For 2 Flat Step	
171	DAA402MS3	Handrail Guide, Lower Landing Curve, Left Side, For 3 Flat Step	
172	DAA402MS4	Handrail Guide, Lower Landing Curve, Right Side, For 3 Flat Step	
173	DAA402MS5	Handrail Guide, Lower Landing Curve, Left Side, For 2 Flat Step	515NPE-L EN115 / JIS
174	DAA402MS6	Handrail Guide, Lower Landing Curve, Right Side, For 2 Flat Step	
175	DAA402MS7	Handrail Guide, Lower Landing Curve, Left Side, For 3 Flat Step	
176	DAA402MS8	Handrail Guide, Lower Landing Curve, Right Side, For 3 Flat Step	
176a	DAA402MS9	Handrail Guide, Lower Landing Curve, Right Side, For 3 Flat Step	515NPE-S EN115 / JIS
176b	DAA402MS10	Handrail Guide, Lower Landing Curve, Right Side, For 4 Flat Step	
176c	DAA402MS11	Handrail Guide, Lower Landing Curve, Left Side, For 4 Flat Step	515NPE-L EN115 / JIS
176d	DAA402MS12	Handrail Guide, Lower Landing Curve, Right Side, For 4 Flat Step	

**512NCE/515NPE-S/515NPE-L
Opaque Balustrade Handrail Guide**

57-DAA26228AN

FOR HANDRAIL HEATING SYSTEM

35°

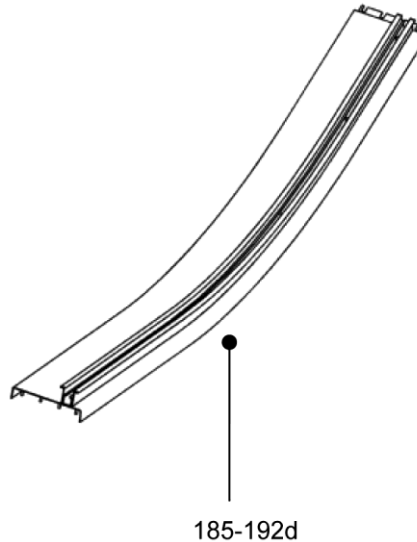


DAA26228AN			
REF. No.	PART No.	DESCRIPTION	
177	DAA402MR1	Handrail Guide, Upper Landing Curve, Left Side, For 2 Flat Step	515NPE-S EN115 / JIS
178	DAA402MR2	Handrail Guide, Upper Landing Curve, Right Side, For 2 Flat Step	
179	DAA402MR3	Handrail Guide, Upper Landing Curve, Left Side, For 3 Flat Step	
180	DAA402MR4	Handrail Guide, Upper Landing Curve, Right Side, For 3 Flat Step	515NPE-L EN115 / JIS
181	DAA402MR5	Handrail Guide, Upper Landing Curve, Left Side, For 2 Flat Step	
182	DAA402MR6	Handrail Guide, Upper Landing Curve, Right Side, For 2 Flat Step	
183	DAA402MR7	Handrail Guide, Upper Landing Curve, Left Side, For 3 Flat Step	515NPE-S EN115 / JIS
184	DAA402MR8	Handrail Guide, Upper Landing Curve, Right Side, For 3 Flat Step	
184a	DAA402MR9	Handrail Guide, Upper Landing Curve, Left Side, For 4 Flat Step	
184b	DAA402MR10	Handrail Guide, Upper Landing Curve, Right Side, For 4 Flat Step	515NPE-L EN115 / JIS
184c	DAA402MR11	Handrail Guide, Upper Landing Curve, Left Side, For 4 Flat Step	
184d	DAA402MR12	Handrail Guide, Upper Landing Curve, Right Side, For 4 Flat Step	

**512NCE/515NPE-S/515NPE-L
Opaque Balustrade Handrail Guide**

FOR HANDRAIL HEATING SYSTEM

35°



DAA26228AN

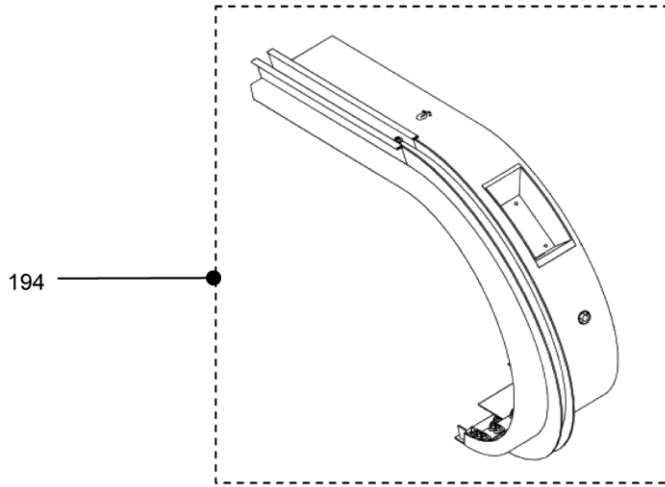
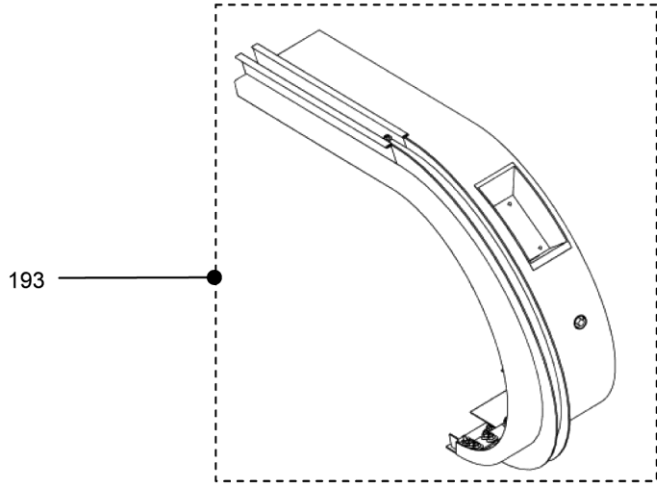
REF. No.	PART No.	DESCRIPTION	
185	DAA402MT1	Handrail Guide, Lower Landing Curve, Left Side, For 2 Flat Step	515NPE-S EN115 / JIS
186	DAA402MT2	Handrail Guide, Lower Landing Curve, Right Side, For 2 Flat Step	
187	DAA402MT3	Handrail Guide, Lower Landing Curve, Left Side, For 3 Flat Step	
188	DAA402MT4	Handrail Guide, Lower Landing Curve, Right Side, For 3 Flat Step	
189	DAA402MT5	Handrail Guide, Lower Landing Curve, Left Side, For 2 Flat Step	515NPE-L EN115 / JIS
190	DAA402MT6	Handrail Guide, Lower Landing Curve, Right Side, For 2 Flat Step	
191	DAA402MT7	Handrail Guide, Lower Landing Curve, Left Side, For 3 Flat Step	
192	DAA402MT8	Handrail Guide, Lower Landing Curve, Right Side, For 3 Flat Step	
192a	DAA402MT9	Handrail Guide, Lower Landing Curve, Left Side, For 4 Flat Step	515NPE-S EN115 / JIS
192b	DAA402MT10	Handrail Guide, Lower Landing Curve, Right Side, For 4 Flat Step	
192c	DAA402MT11	Handrail Guide, Lower Landing Curve, Left Side, For 4 Flat Step	515NPE-L EN115 / JIS
192d	DAA402MT12	Handrail Guide, Lower Landing Curve, Right Side, For 4 Flat Step	

512NCE/515NPE-S/515NPE-L
Opaque Balustrade Handrail Guide

57-DAA26228AN

NOT FOR HANDRAIL HEATING SYSTEM
UPPER LANDING LEFT SIDE &
LOWER LANDING RIGHT SIDE
FOR ANSI CODE

ANSI

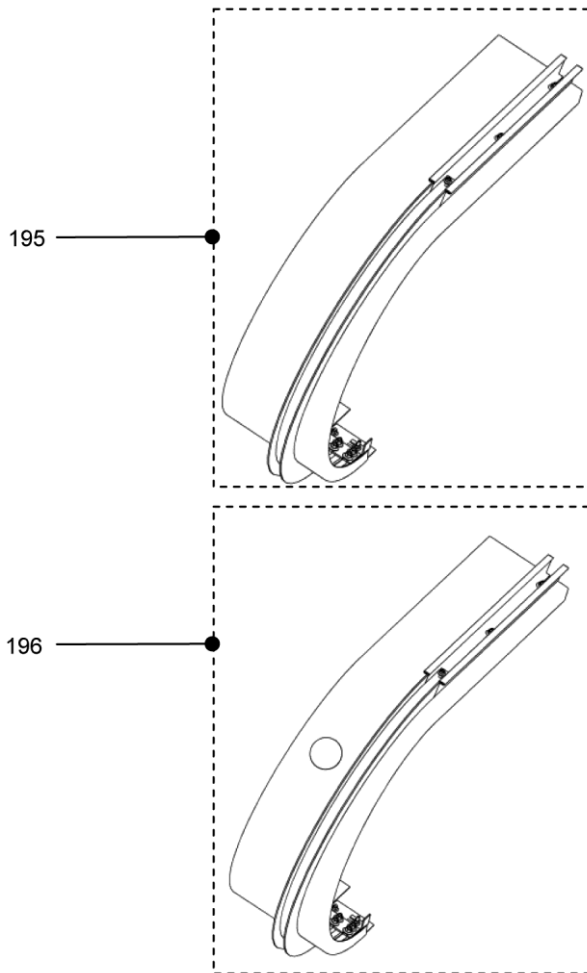


DAA26228AN		
REF. No.	PART No.	DESCRIPTION
193	DAA402KM1	Semi-circular Newel Assembly, w/o Keyswitch for NY Code
194	DAA402KM3	Semi-circular Newel Assembly, w/Keyswitch for Non-NY Code

**512NCE/515NPE-S/515NPE-L
Opaque Balustrade Handrail Guide**

**NOT FOR HANDRAIL HEATING SYSTEM
UPPER LANDING RIGHT SIDE &
LOWER LANDING LEFT SIDE
FOR ANSI CODE**

Handwritten: 4/4/10



DAA26228AN

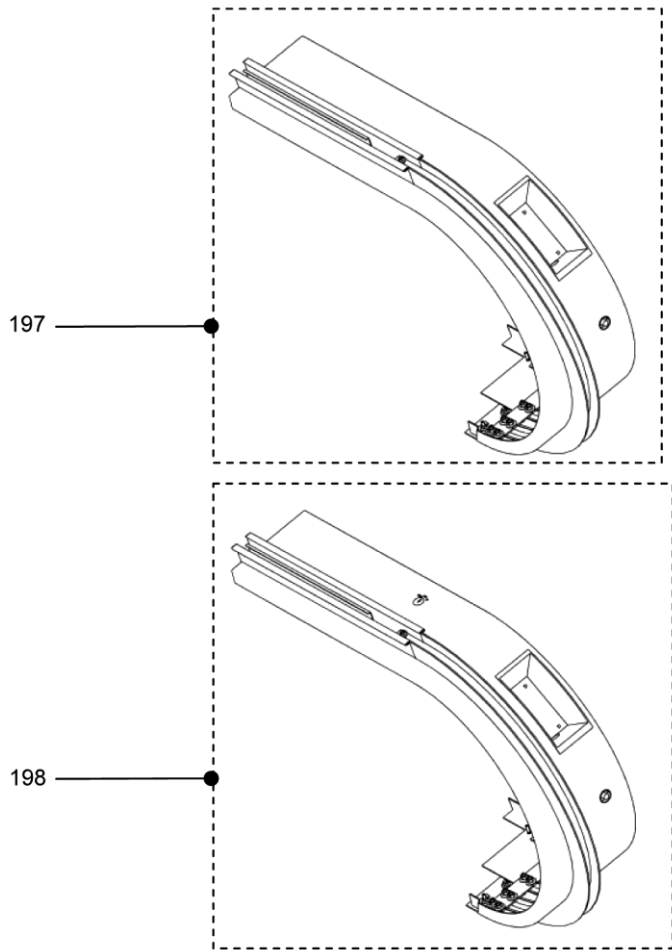
REF. No.	PART No.	DESCRIPTION
195	DAA402KM2	Semi-Circular Newel Assembly, w/o Traffic Flow Light
196	DAA402KM4	Semi-Circular Newel Assembly, w/Traffic Flow Light

512NCE/515NPE-S/515NPE-L Opaque Balustrade Handrail Guide

57-DAA26228AN

**FOR HANDRAIL HEATING SYSTEM
UPPER LANDING LEFT SIDE &
LOWER LANDING RIGHT SIDE
FOR ANSI CODE**

NY
ANSI



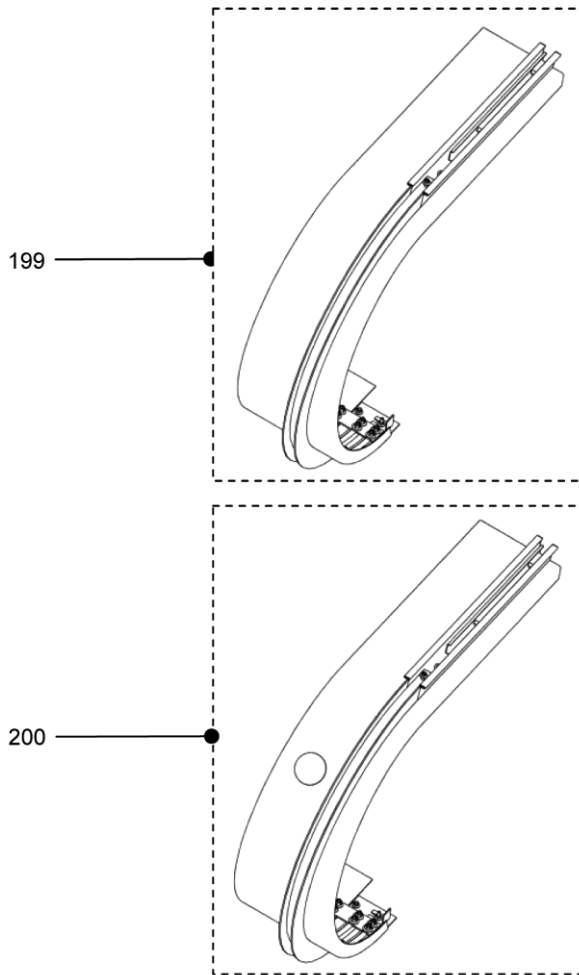
DAA26228AN		
REF. No.	PART No.	DESCRIPTION
197	DAA402KT1	Semi Circular Newel Assembly, w/o Keyswitch for NY Code
198	DAA402KT3	Semi Circular Newel Assembly, w/Keyswitch for Non-NY Code

57-DAA26228AN

**512NCE/515NPE-S/515NPE-L
Opaque Balustrade Handrail Guide**

**FOR HANDRAIL HEATING SYSTEM
UPPER LANDING RIGHT SIDE &
LOWER LANDING LEFT SIDE
FOR ANSI CODE**

4141



DAA26228AN

REF. No.	PART No.	DESCRIPTION
199	DAA402KT2	Semi Circular Newel Assembly, w/o Traffic Flow Light
200	DAA402KT4	Semi Circular Newel Assembly, w/Traffic Flow Light