



## Leaflet Description

### Balustrade Handrail Guide for 508NCE/512NCE/515NPE-S/515NPE-L

#### Leaflet Revisions

| Date Revised   | Subject Matter Expert | Reason for Revision   |
|----------------|-----------------------|---|
| June 20, 2008  | Wu, Muke              | Original document   |
| June 10, 2009  | Wu, Muke              | Updated to cover parts for 515NPE-S and parts for ANSI Code. LINK A, LINK B & LINK C renamed as 508NCE, 515NPE-S & 515NPE-L respectively. GAA26220BT changed to DAA26220AM1/2. Transition piece Ref. No. 17-19 deleted. |
| Dec. 03, 2010  | Wu, Muke              | Ref. 59 DAA402CX34 changed to DAA402CX14 on page9.  |
| Oct. 30, 2013  | Wu, Muke              | All part numbers for FO7 & FO10 changed.  |
| Feb. 06, 2015  | Wu, Muke              | Illustration of DAA180JM1 is corrected; DAA180JM2 is added on page 6.   |
| April 15, 2016 | Yang, Xiong           | Add parts of new designed handrail guidance on pages 57-88.   |
| April 28, 2018 | Hualin, Chen          | Update part number of newel profile on pages 9  |

#### Related Drawings

| Drawing No. | Title             | Drawing No. | Title |
|-------------|-------------------|-------------|-------|
| DAA26228AP  | Handrail Guidance |             |       |

#### Related Documents

| Document ID    | Title             |
|----------------|-------------------|
| ODS DAA27076BH | Handrail Guidance |
| ODS DAA27076LK |                   |

#### Subject Matter Expert

| Name     | Department    |
|----------|---------------|
| Wu, Muke | SIT-GUANGZHOU |

#### About Spare Parts Leaflets...

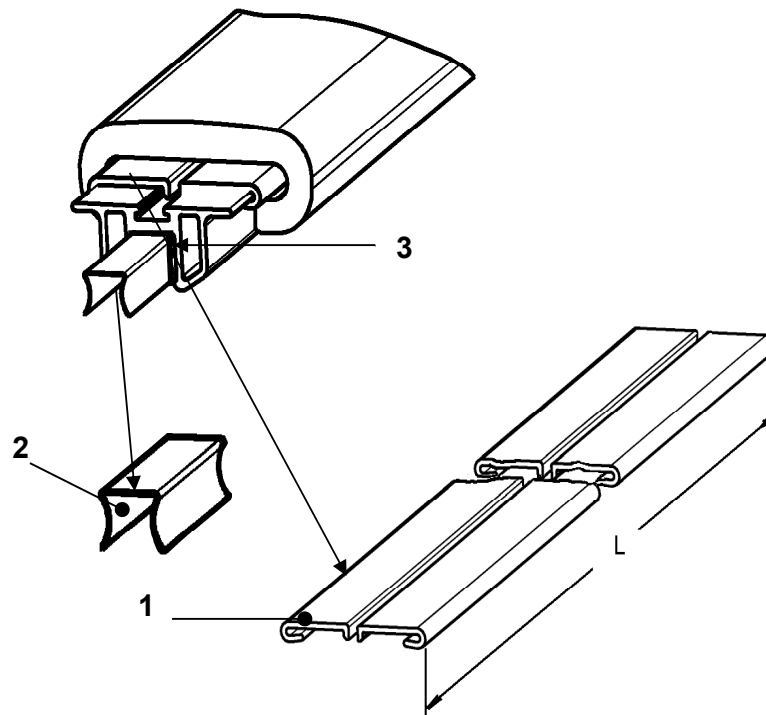
This document lists the lowest replaceable units (LRUs) for the standard version of the product. The LRUs are chosen by a team of Otis associates representing engineering and manufacturing.

While goal of this document is to make parts identification as easy as possible, the document cannot be all-inclusive. Elevator and escalator contracts classified as "special" or "custom" are not addressed here. For such contracts, please refer to specified information, the contract folder, TIPs, Field Education Articles, Construction Letters, etc. for further information.

If you have any suggestions about this document, please contact the subject matter expert listed on this page.

**508NCE/512NCE/515NPE-  
S/515NPE-L Escalator  
Balustrade Handrail Guide**

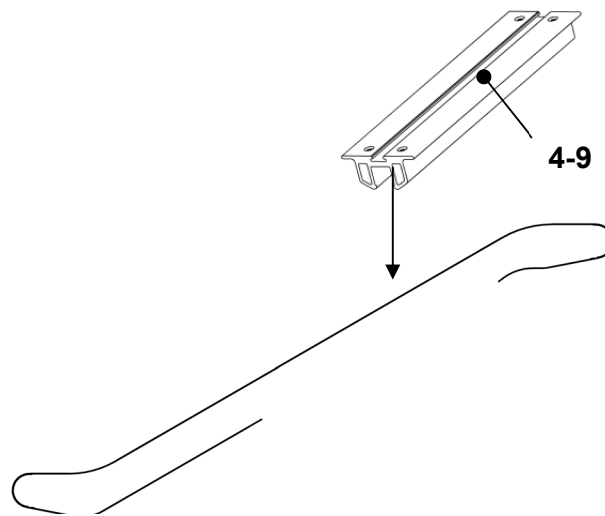
**Spare Parts Leaflet  
57-DAA26228AP**



| REF. No. | PART No.          | DESCRIPTION                   |
|----------|-------------------|-------------------------------|
|          | <b>DAA26228AP</b> |                               |
| 1        | DAA50NPK1         | Handrail guide shape L=6000mm |
| 2        | GAA94AV1          | Spring Clip                   |
| 3        | GAA50AFW1         | PVC Profile, black            |

**508NCE/512NCE/515NPE-  
S/515NPE-L Escalator  
Balustrade Handrail Guide**

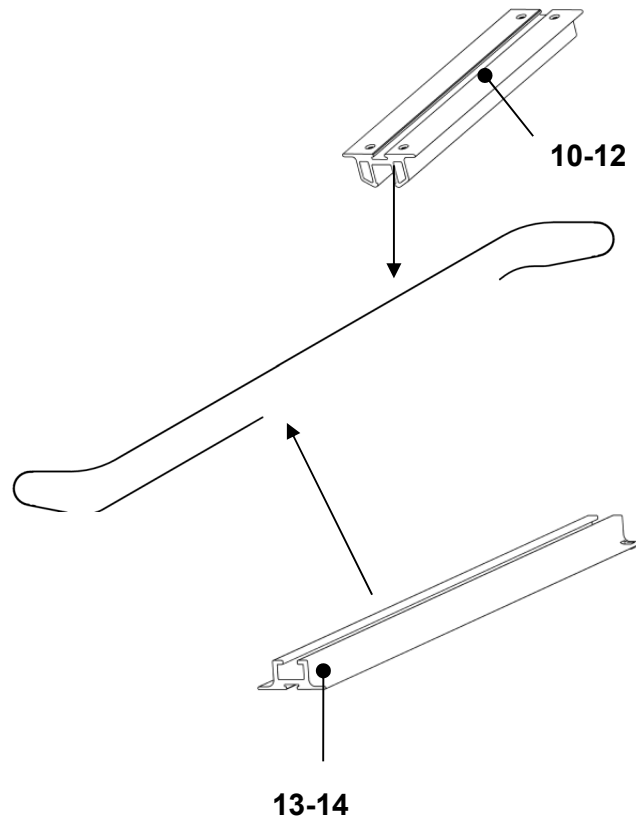
**Spare Parts Leaflet  
57-DAA26228AP**



| REF. No. | PART No.          | DESCRIPTION  |
|----------|-------------------|--|
|          | <b>DAA26228AP</b> |  |
| 4        | DAA402GE1         | Handrail guide, passenger side, inclined section, L = 6000 mm, indoor                      |
| 5        | DAA402GE1-FO7     | Handrail guide, passenger side, inclined section, L = 6000 mm, FO7, indoor                 |
|          | DAA402GE11        |  |
| 6        | DAA402GE1-FO10    | Handrail guide, passenger side, inclined section, L = 6000 mm, FO10 , semi-outdoor/outdoor |
|          | DAA402GE12        |  |
| 7        | DAA402GE-V1       | Handrail guide, passenger side, inclined section, Length per spec., indoor                 |
| 8        | DAA402GE-V2       | Handrail guide, passenger side, inclined section, Length per spec., indoor                 |
| 9        | DAA402GE-V1-FO7   | Handrail guide, passenger side, inclined section, L per spec., FO7, indoor                 |
|          | DAA402GE-V11      |  |

**508NCE/512NCE/515NPE-  
S/515NPE-L Escalator  
Balustrade Handrail Guide**

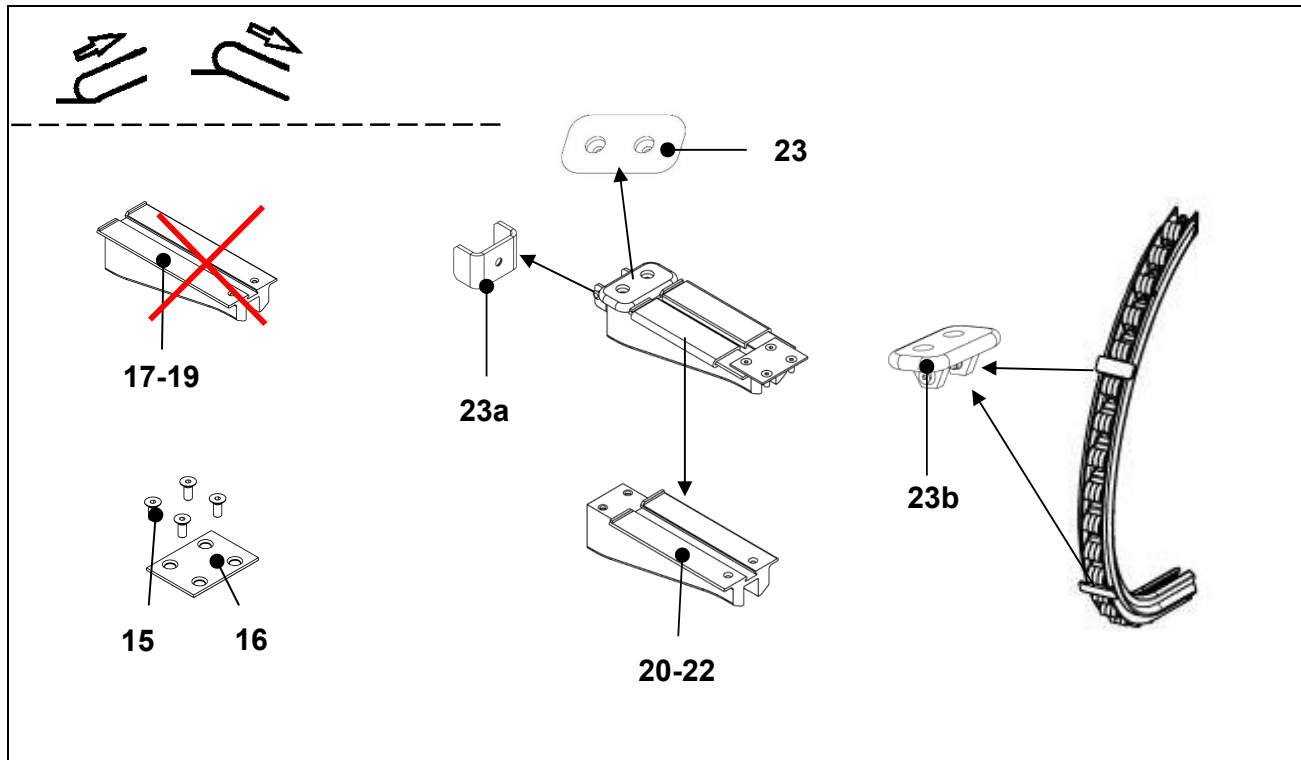
**Spare Parts Leaflet  
57-DAA26228AP**



| REF. No. | PART No.                         | DESCRIPTION  |
|----------|----------------------------------|--|
|          | <b>DAA26228AP</b>                |  |
| 10       | DAA402GE-V2-FO7<br>DAA402GE-V21  | Handrail guide, passenger side, inclined section, L per spec., FO7, indoor               |
| 11       | DAA402GE-V1-FO10<br>DAA402GE-V12 | Handrail guide, passenger side, inclined section, L per spec. FO10, semi-outdoor/outdoor |
| 12       | DAA402GE-V2-FO10<br>DAA402GE-V22 | Handrail guide, passenger side, inclined section, L per spec. FO10, semi-outdoor/outdoor |
| 13       | GAA50AHF1<br>DAA402XW1           | Handrail guide return side, inclined section, indoor                                     |
| 14       | GAA50AHF1-FO10<br>DAA402XW11     | Handrail guide return side, inclined section, FO10, semi-outdoor/outdoor                 |

# 508NCE/512NCE/515NPE-S/515NPE-L Escalator Balustrade Handrail Guide

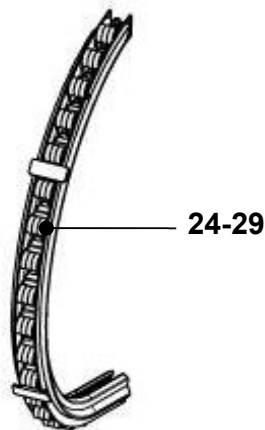
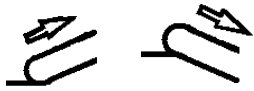
**Spare Parts Leaflet  
57-DAA26228AP**



| DAA26228AP |                            |  |
|------------|----------------------------|--|
| REF. No.   | PART No.                   | DESCRIPTION  |
| 15         | ISO10642/M4X10-A2          | Recessed Countersunk Head Screw  |
| 16         | GAA386EAK1                 | Plate  |
| 17         | <del>GCA402BPB1</del>      | <del>Transition piece, indoor, for EN115/HK/SA/JIS</del>                     |
| 18         | <del>GCA402BPB1-FO7</del>  | <del>Transition piece, indoor, for EN115/HK/SA/JIS</del>                     |
| 19         | <del>GCA402BPB1-FO10</del> | <del>Transition piece, semi-outdoor &amp; outdoor, for EN115/HK/SA/JIS</del> |
| 20         | DAA402JL1                  | Transition piece, indoor   |
| 21         | <del>DAA402JL1-FO7</del>   | Transition piece, FO7, indoor  |
|            | DAA402JL11                 |  |
| 22         | <del>DAA402JL1-FO10</del>  | Transition piece, FO10, semi-outdoor & outdoor                               |
|            | DAA402JL12                 |  |
| 23         | DAA180JM1                  | Holder   |
| 23a        | GAA347ZM1                  | Bracket  |
| 23b        | DAA180JM2                  | Holder   |

**508NCE/512NCE/515NPE-  
S/515NPE-L Escalator  
Balustrade Handrail Guide**

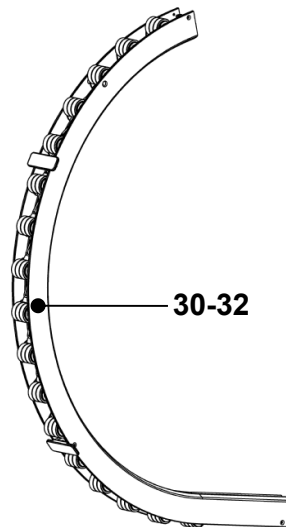
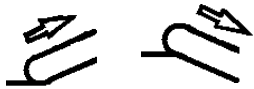
**Spare Parts Leaflet  
57-DAA26228AP**



| <b>DAA26228AP</b> |                 |   |
|-------------------|-----------------|---|
| <b>REF. No.</b>   | <b>PART No.</b> | <b>DESCRIPTION</b>  |
| 24                | DAA402CR1       | Roller bearing newel profile, BAL. 1000, indoor, for EN/GB/HK/SAA/JIS                       |
| 25                | DAA402CR1-FO7   | Roller bearing newel profile, BAL. 1000, FO7, indoor, for EN/GB/HK/SAA/JIS                  |
|                   | DAA402CR11      |   |
| 26                | DAA402CR1-FO10  | Roller bearing newel profile, BAL. 1000, FO10, semi-outdoor & outdoor, for EN/GB/HK/SAA/JIS |
|                   | DAA402CR12      |   |
| 27                | DAA402CR2       | Roller bearing newel profile, BAL. 930, indoor, for EN/GB/HK/SAA/JIS                        |
| 28                | DAA402CR2-FO7   | Roller bearing newel profile, BAL. 930, FO7, indoor, for EN/GB/HK/SAA/JIS                   |
|                   | DAA402CR21      |   |
| 29                | DAA402CR2-FO10  | Roller bearing newel profile, BAL. 930, FO10, semi-outdoor & outdoor, for EN/GB/HK/SAA/JIS  |
|                   | DAA402CR22      |   |

**508NCE/512NCE/515NPE-  
S/515NPE-L Escalator  
Balustrade Handrail Guide**

**Spare Parts Leaflet  
57-DAA26228AP**

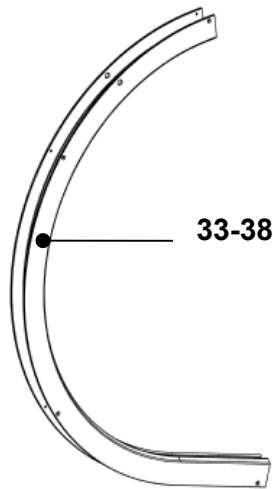
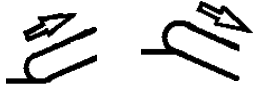


| DAA26228AP |                |   |
|------------|----------------|---|
| REF. No.   | PART No.       | DESCRIPTION   |
| 30         | DAA402CR3      | Roller bearing newel profile, BAL. 1000, indoor, for ANSI                       |
| 31         | DAA402CR3-FO7  | Roller bearing newel profile, BAL. 1000, FO7, indoor, for ANSI                  |
|            | DAA402CR31     |   |
| 32         | DAA402CR3-FO10 | Roller bearing newel profile, BAL. 1000, FO10, semi-outdoor & outdoor, for ANSI |
|            | DAA402CR32     |   |



**508NCE/512NCE/515NPE-  
S/515NPE-L Escalator  
Balustrade Handrail Guide**

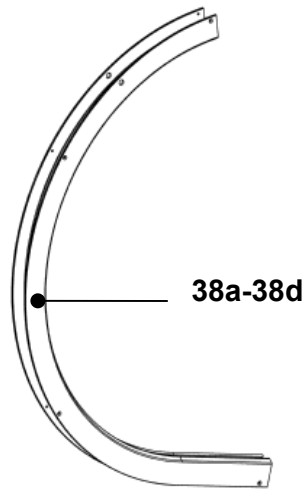
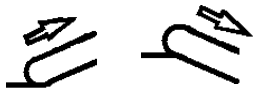
**Spare Parts Leaflet  
57-DAA26228AP**



| <b>DAA26228AP</b> |                 |  |
|-------------------|-----------------|--|
| <b>REF. No.</b>   | <b>PART No.</b> | <b>DESCRIPTION</b>   |
| 33                | DAA402CB1       | Newel profile, BAL. 1000, indoor, for EN/GB/HK/SAA/JIS                       |
|                   | DAA402JM1       |  |
| 34                | DAA402CB1-FO10  | Newel profile, BAL. 1000, FO10, semi-outdoor & outdoor, for EN/GB/HK/SAA/JIS |
|                   | DAA402CB12      |  |
|                   | DAA402JM12      |  |
| 35                | DAA402CB1-FO7   | Newel profile, BAL. 1000, FO7, indoor, for EN/GB/HK/SAA/JIS                  |
|                   | DAA402CB14      |  |
|                   | DAA402JM11      |  |
| 36                | DAA402CB2       | Newel profile, BAL. 930, indoor, for EN/GB/HK/SAA/JIS                        |
|                   | DAA402JM2       |  |
| 37                | DAA402CB2-FO7   | Newel profile, BAL. 930, FO7 indoor, for EN/GB/HK/SAA/JIS                    |
|                   | DAA402CB21      |  |
|                   | DAA402JM21      |  |
| 38                | DAA402CB2-FO10  | Newel profile, BAL. 930, FO10, semi-outdoor & outdoor, for EN/GB/HK/SAA/JIS  |
|                   | DAA402CB22      |  |
|                   | DAA402JM22      |  |

**508NCE/512NCE/515NPE-  
S/515NPE-L Escalator  
Balustrade Handrail Guide**

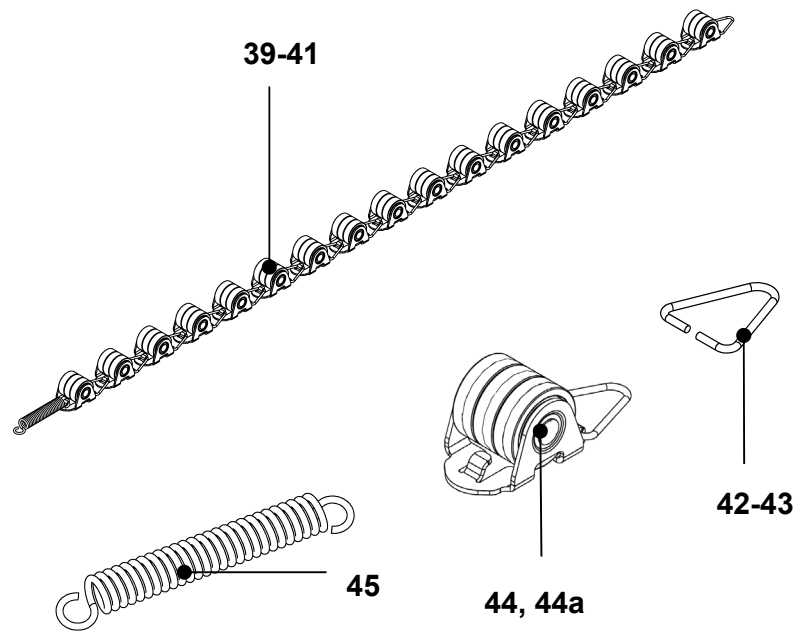
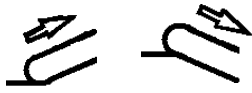
**Spare Parts Leaflet  
57-DAA26228AP**



| <b>DAA26228AP</b> |                 |  |
|-------------------|-----------------|--|
| <b>REF. No.</b>   | <b>PART No.</b> | <b>DESCRIPTION</b>   |
| 38a               | DAA402JM1       | Newel profile, BAL. 1000, indoor, for ANSI                       |
| 38b               | DAA402JM1-FO7   | Newel profile, BAL. 1000, FO7, indoor, for ANSI                  |
|                   | DAA402JM11      |  |
| 38c               | DAA402JM1-FO10  | Newel profile, BAL. 1000, FO10, semi-outdoor & outdoor, for ANSI |
|                   | DAA402JM12      |  |
| 38d               | DAA402JM2       | Newel profile, BAL. 930  |

**508NCE/512NCE/515NPE-  
S/515NPE-L Escalator  
Balustrade Handrail Guide**

**Spare Parts Leaflet  
57-DAA26228AP**



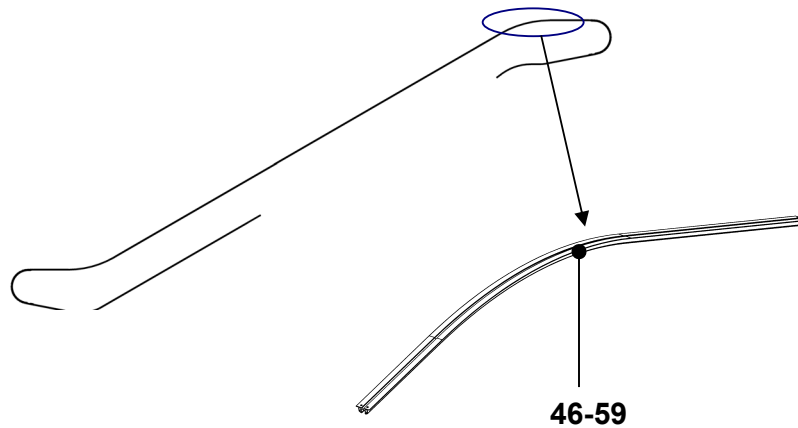
| <b>DAA26228AP</b> |                 |  |
|-------------------|-----------------|--|
| <b>REF. No.</b>   | <b>PART No.</b> | <b>DESCRIPTION</b>                     |
| 39                | DAA332N1        | Roller bearing newel, Glass BAL. 1000  |
| 40                | DAA332N2        | Roller bearing newel, Glass BAL. 930   |
| 41                | DAA332N3        | Roller bearing newel, Opaque BAL. 1000 |
| 42                | DAA94C1         | Triangle spring, BAL. 1000             |
| 43                | DAA94C2         | Triangle spring, BAL. 930              |
| 44                | DAA456S1        | Roller, BAL. 1000                      |
| 44a               | DAA456S2        | Roller, BAL. 930                       |
| 45                | DAA91C1         | Spring                                 |

**508NCE/512NCE/515NPE-  
S/515NPE-L Escalator  
Balustrade Handrail Guide**

**Spare Parts Leaflet  
57-DAA26228AP**



**508NCE – EN/GB/HK/SAA/JIS/ANSI CODE  
INDOOR**



**UPPER LANDING = UL**

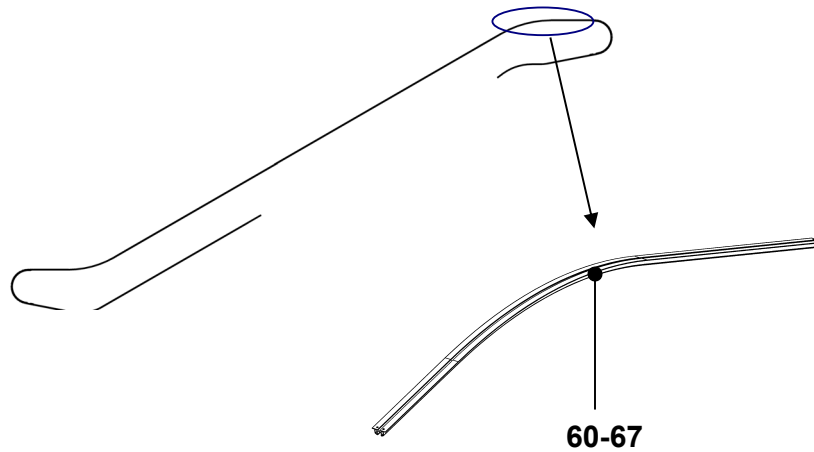
| <b>DAA26228AP</b> |                 |                                    |  |
|-------------------|-----------------|------------------------------------|--|
| <b>REF. No.</b>   | <b>PART No.</b> | <b>DESCRIPTION</b>                 |  |
| 46                | DAA402CX1       | Handrail guide, passenger side, UL | Bal. 930, 2 flat step, 30°, EN/GB/HK/SAA                             |
| 47                | DAA402CX2       | Handrail guide, passenger side, UL | Bal. 930, 3 flat step, 30°, EN/GB/HK/SAA                             |
| 48                | DAA402CX3       | Handrail guide, passenger side, UL | Bal. 1000, 2 flat step, 30°, EN/GB/HK/SAA                            |
| 49                | DAA402CX4       | Handrail guide, passenger side, UL | Bal. 1000, 3 flat step, 30°, EN/GB/HK/SAA                            |
| 50                | DAA402CX5       | Handrail guide, passenger side, UL | Bal. 930, 2 flat step, 35°, EN/GB/HK/SAA<br>1.5 flat step, 35°, JIS  |
| 51                | DAA402CX6       | Handrail guide, passenger side, UL | Bal. 930, 3 flat step, 35°, EN/GB/HK/SAA/JIS                         |
| 52                | DAA402CX7       | Handrail guide, passenger side, UL | Bal. 1000, 2 flat step, 35°, EN/GB/HK/SAA<br>1.5 flat step, 35°, JIS |
| 53                | DAA402CX8       | Handrail guide, passenger side, UL | Bal. 1000, 3 flat step, 35°, EN/GB/HK/SAA/JIS                        |
| 54                | DAA402CX9       | Handrail guide, passenger side, UL | Bal. 930, 1.5 flat step, 30°, JIS                                    |
| 55                | DAA402CX33      | Handrail guide, passenger side, UL | Bal. 930, 3 flat step, 30°, JIS                                      |
| 56                | DAA402CX10      | Handrail guide, passenger side, UL | Bal. 1000, 1.5 flat step, 30°, JIS                                   |
| 57                | DAA402CX34      | Handrail guide, passenger side, UL | Bal. 1000, 3 flat step, 30°, JIS                                     |
| 58                | DAA402CX13      | Handrail guide, passenger side, UL | Bal. 1000, 2 flat step, 30°, ANSI                                    |
| 59                | DAA402CX14      | Handrail guide, passenger side, UL | Bal. 1000, 3 flat step, 30°, ANSI                                    |

**508NCE/512NCE/515NPE-  
S/515NPE-L Escalator  
Balustrade Handrail Guide**

**Spare Parts Leaflet  
57-DAA26228AP**



**508NCE – EN/GB/HK/SAA/JIS CODE  
INDOOR**



**UPPER LANDING = UL**

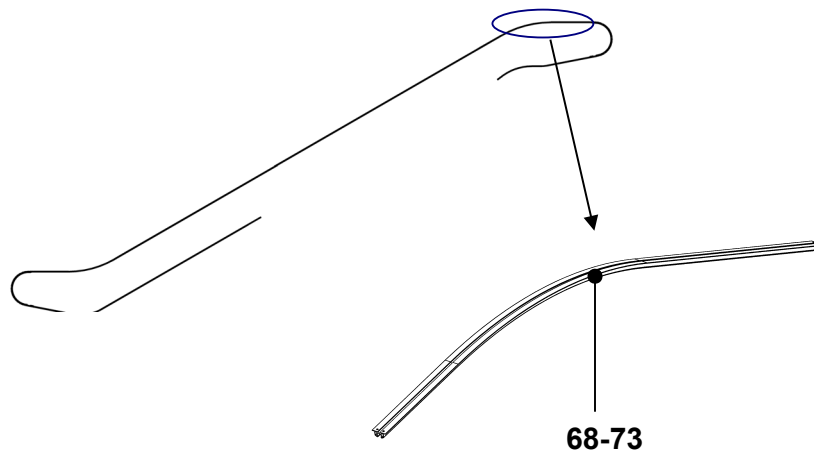
| <b>DAA26228AP</b> |                 |  |  |
|-------------------|-----------------|--|--|
| <b>REF. No.</b>   | <b>PART No.</b> | <b>DESCRIPTION</b>                         |  |
| 60                | DAA402CX1-FO7   | Handrail guide, passenger side, UL,<br>FO7 | Bal. 930, 2 flat step, 30°, EN/GB/HK/SAA                             |
|                   | DAA402CX101     |  |  |
| 61                | DAA402CX2-FO7   | Handrail guide, passenger side, UL,<br>FO7 | Bal. 930, 3 flat step, 30°, EN/GB/HK/SAA                             |
|                   | DAA402CX102     |  |  |
| 62                | DAA402CX3-FO7   | Handrail guide, passenger side, UL,<br>FO7 | Bal. 1000, 2 flat step, 30°, EN/GB/HK/SAA                            |
|                   | DAA402CX103     |  |  |
| 63                | DAA402CX4-FO7   | Handrail guide, passenger side, UL,<br>FO7 | Bal. 1000, 3 flat step, 30°, EN/GB/HK/SAA                            |
|                   | DAA402CX104     |  |  |
| 64                | DAA402CX5-FO7   | Handrail guide, passenger side, UL,<br>FO7 | Bal. 930, 2 flat step, 35°, EN/GB/HK/SAA<br>1.5 flat step, 35°, JIS  |
|                   | DAA402CX105     |  |  |
| 65                | DAA402CX6-FO7   | Handrail guide, passenger side, UL,<br>FO7 | Bal. 930, 3 flat step, 35°,<br>EN/GB/HK/SAA/JIS                      |
|                   | DAA402CX106     |  |  |
| 66                | DAA402CX7-FO7   | Handrail guide, passenger side, UL,<br>FO7 | Bal. 1000, 2 flat step, 35°, EN/GB/HK/SAA<br>1.5 flat step, 35°, JIS |
|                   | DAA402CX107     |  |  |
| 67                | DAA402CX8-FO7   | Handrail guide, passenger side, UL,<br>FO7 | Bal. 1000, 3 flat step, 35°,<br>EN/GB/HK/SAA/JIS                     |
|                   | DAA402CX108     |  |  |

**508NCE/512NCE/515NPE-  
S/515NPE-L Escalator  
Balustrade Handrail Guide**

**Spare Parts Leaflet  
57-DAA26228AP**



**508NCE –JIS/ANSI CODE  
INDOOR**



**UPPER LANDING = UL**

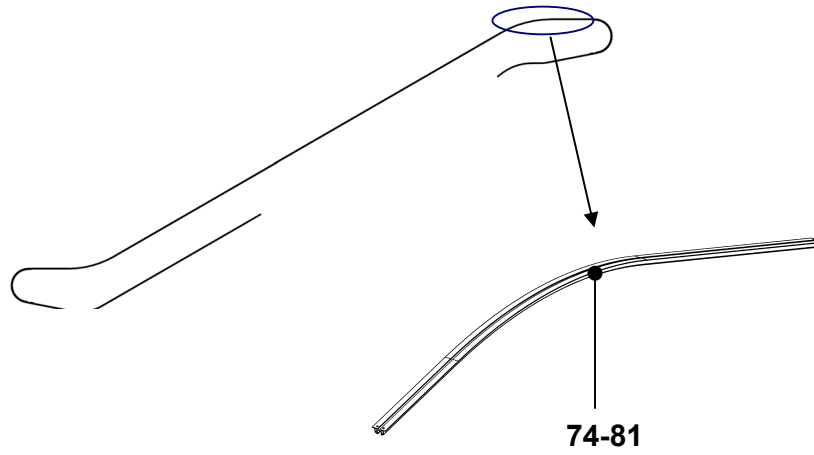
| <b>DAA26228AP</b> |                 |  |                                   |
|-------------------|-----------------|--|-----------------------------------|
| <b>REF. No.</b>   | <b>PART No.</b> | <b>DESCRIPTION</b>                         |                                   |
| 68                | DAA402CX9-FO7   | Handrail guide, passenger side, UL,<br>FO7 | Bal. 930, 1.5 flat step, 30°, JIS |
|                   | DAA402CX109     |  |                                   |
| 69                | DAA402CX33-FO7  | Handrail guide, passenger side, UL,<br>FO7 | Bal. 930, 3 flat step, 30°, JIS   |
|                   | DAA402CX133     |  |                                   |
| 70                | DAA402CX10-FO7  | Handrail guide, passenger side, UL,<br>FO7 | Bal. 930, 1.5 flat step, 30°, JIS |
|                   | DAA402CX110     |  |                                   |
| 71                | DAA402CX34-FO7  | Handrail guide, passenger side, UL,<br>FO7 | Bal. 1000, 3 flat step, 30°, JIS  |
|                   | DAA402CX134     |  |                                   |
| 72                | DAA402CX13-FO7  | Handrail guide, passenger side, UL,<br>FO7 | Bal. 1000, 2 flat step, 30°, ANSI |
|                   | DAA402CX113     |  |                                   |
| 73                | DAA402CX14-FO7  | Handrail guide, passenger side, UL,<br>FO7 | Bal. 1000, 3 flat step, 30°, ANSI |
|                   | DAA402CX114     |  |                                   |

**508NCE/512NCE/515NPE-  
S/515NPE-L Escalator  
Balustrade Handrail Guide**

**Spare Parts Leaflet  
57-DAA26228AP**



**508NCE – EN/GB/HK/SAA/JIS CODE**  
SEMI-OUTDOOR / OUTDOOR



UPPER LANDING = UL

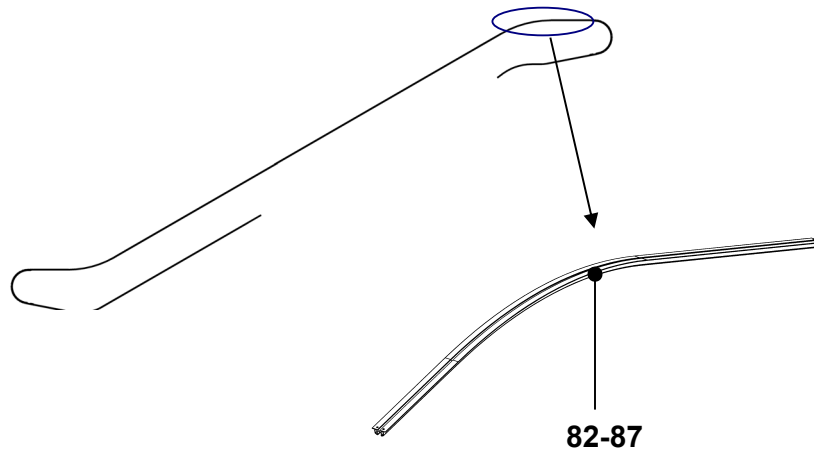
| DAA26228AP |                |  |  |
|------------|----------------|--|--|
| REF. No.   | PART No.       | DESCRIPTION                              |  |
| 74         | DAA402CX1-FO10 | Handrail guide, passenger side, UL, FO10 | Bal. 930, 2 flat step, 30°, EN/GB/HK/SAA                             |
|            | DAA402CX201    |  |  |
| 75         | DAA402CX2-FO10 | Handrail guide, passenger side, UL, FO10 | Bal. 930, 3 flat step, 30°, EN/GB/HK/SAA                             |
|            | DAA402CX202    |  |  |
| 76         | DAA402CX3-FO10 | Handrail guide, passenger side, UL, FO10 | Bal. 1000, 2 flat step, 30°, EN/GB/HK/SAA                            |
|            | DAA402CX203    |  |  |
| 77         | DAA402CX4-FO10 | Handrail guide, passenger side, UL, FO10 | Bal. 1000, 3 flat step, 30°, EN/GB/HK/SAA                            |
|            | DAA402CX204    |  |  |
| 78         | DAA402CX5-FO10 | Handrail guide, passenger side, UL, FO10 | Bal. 930, 2 flat step, 35°, EN/GB/HK/SAA<br>1.5 flat step, 35°, JIS  |
|            | DAA402CX205    |  |  |
| 79         | DAA402CX6-FO10 | Handrail guide, passenger side, UL, FO10 | Bal. 930, 3 flat step, 35°, EN/GB/HK/SAA/JIS                         |
|            | DAA402CX206    |  |  |
| 80         | DAA402CX7-FO10 | Handrail guide, passenger side, UL, FO10 | Bal. 1000, 2 flat step, 35°, EN/GB/HK/SAA<br>1.5 flat step, 35°, JIS |
|            | DAA402CX207    |  |  |
| 81         | DAA402CX8-FO10 | Handrail guide, passenger side, UL, FO10 | Bal. 1000, 3 flat step, 35°, EN/GB/HK/SAA/JIS                        |
|            | DAA402CX208    |  |  |

**508NCE/512NCE/515NPE-  
S/515NPE-L Escalator  
Balustrade Handrail Guide**

**Spare Parts Leaflet  
57-DAA26228AP**

74

**508NCE – JIS/ANSI CODE  
SEMI-OUTDOOR / OUTDOOR**



**UPPER LANDING = UL**

| <b>DAA26228AP</b> |                 |  |                                    |
|-------------------|-----------------|--|------------------------------------|
| <b>REF. No.</b>   | <b>PART No.</b> | <b>DESCRIPTION</b>                       |                                    |
| 82                | DAA402CX9-FO10  | Handrail guide, passenger side, UL, FO10 | Bal. 930, 1.5 flat step, 30°, JIS  |
|                   | DAA402CX209     |  |                                    |
| 83                | DAA402CX33-FO10 | Handrail guide, passenger side, UL, FO10 | Bal. 930, 3 flat step, 30°, JIS    |
|                   | DAA402CX233     |  |                                    |
| 84                | DAA402CX10-FO10 | Handrail guide, passenger side, UL, FO10 | Bal. 1000, 1.5 flat step, 30°, JIS |
|                   | DAA402CX210     |  |                                    |
| 85                | DAA402CX34-FO10 | Handrail guide, passenger side, UL, FO10 | Bal. 1000, 3 flat step, 30°, JIS   |
|                   | DAA402CX234     |  |                                    |
| 86                | DAA402CX13-FO10 | Handrail guide, passenger side, UL, FO10 | Bal. 1000, 2 flat step, 30° , ANSI |
|                   | DAA402CX213     |  |                                    |
| 87                | DAA402CX14-FO10 | Handrail guide, passenger side, UL, FO10 | Bal. 1000, 3 flat step, 30° , ANSI |
|                   | DAA402CX214     |  |                                    |

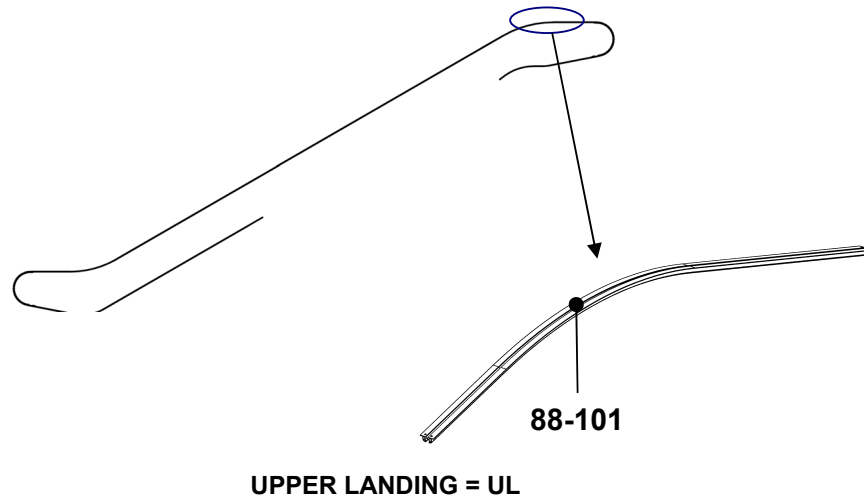


**508NCE/512NCE/515NPE-  
S/515NPE-L Escalator  
Balustrade Handrail Guide**

**Spare Parts Leaflet  
57-DAA26228AP**



**515NPE-S-EN/GB/HK/SAA/JIS CODE, 512NCE-ANSI CODE  
INDOOR**



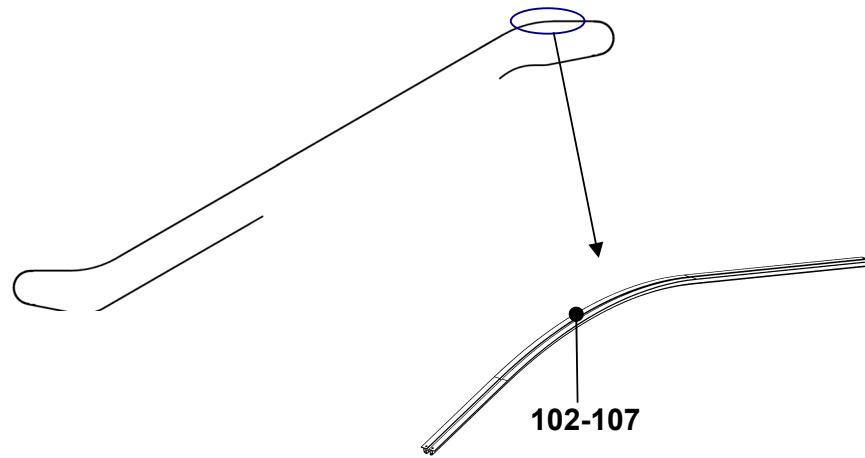
| <b>DAA26228AP</b> |                 |                                    |   |
|-------------------|-----------------|------------------------------------|---|
| <b>REF. No.</b>   | <b>PART No.</b> | <b>DESCRIPTION</b>                 |   |
| 88                | DAA402CX37      | Handrail guide, passenger side, UL | Bal. 930, 2 flat step, 30°, EN/GB/HK/SAA/JIS  |
| 89                | DAA402CX38      | Handrail guide, passenger side, UL | Bal. 930, 3 flat step, 30°, EN/GB/HK/SAA/JIS  |
| 90                | DAA402CX39      | Handrail guide, passenger side, UL | Bal. 930, 4 flat step, 30°, EN/GB/HK/SAA/JIS  |
| 91                | DAA402CX40      | Handrail guide, passenger side, UL | Bal. 1000, 2 flat step, 30°, EN/GB/HK/SAA/JIS |
| 92                | DAA402CX41      | Handrail guide, passenger side, UL | Bal. 1000, 3 flat step, 30°, EN/GB/HK/SAA/JIS |
| 93                | DAA402CX42      | Handrail guide, passenger side, UL | Bal. 1000, 4 flat step, 30°, EN/GB/HK/SAA/JIS |
| 94                | DAA402CX43      | Handrail guide, passenger side, UL | Bal. 930, 2 flat step, 35°, EN/GB/HK/SAA/JIS  |
| 95                | DAA402CX44      | Handrail guide, passenger side, UL | Bal. 930, 3 flat step, 35°, EN/GB/HK/SAA/JIS  |
| 96                | DAA402CX45      | Handrail guide, passenger side, UL | Bal. 930, 4 flat step, 35°, EN/GB/HK/SAA/JIS  |
| 97                | DAA402CX46      | Handrail guide, passenger side, UL | Bal. 1000, 2 flat step, 35°, EN/GB/HK/SAA/JIS |
| 98                | DAA402CX47      | Handrail guide, passenger side, UL | Bal. 1000, 3 flat step, 35°, EN/GB/HK/SAA/JIS |
| 99                | DAA402CX48      | Handrail guide, passenger side, UL | Bal. 1000, 4 flat step, 35°, EN/GB/HK/SAA/JIS |
| 100               | DAA402CX35      | Handrail guide, passenger side, UL | Bal. 1000, 2 flat step, 30°, ANSI             |
| 101               | DAA402CX36      | Handrail guide, passenger side, UL | Bal. 1000, 3 flat step, 30°, ANSI             |

**508NCE/512NCE/515NPE-S/515NPE-L Escalator Balustrade Handrail Guide**

**Spare Parts Leaflet  
57-DAA26228AP**



**515NPE-S-EN/GB/HK/SAA/JIS CODE  
INDOOR**



**UPPER LANDING = UL**

**DAA26228AP**

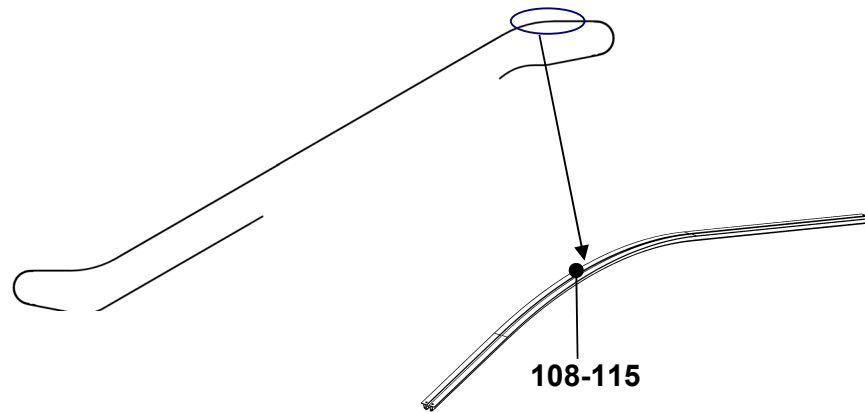
| <b>REF. No.</b> | <b>PART No.</b> | <b>DESCRIPTION</b>                         |  |
|-----------------|-----------------|--|--|
| 102             | DAA402CX37-FO7  | Handrail guide, passenger side, UL,<br>FO7 | Bal. 930, 2 flat step, 30°,<br>EN/GB/HK/SAA/JIS  |
|                 | DAA402CX137     |  |  |
| 103             | DAA402CX38-FO7  | Handrail guide, passenger side, UL,<br>FO7 | Bal. 930, 3 flat step, 30°,<br>EN/GB/HK/SAA/JIS  |
|                 | DAA402CX138     |  |  |
| 104             | DAA402CX39-FO7  | Handrail guide, passenger side, UL,<br>FO7 | Bal. 930, 4 flat step, 30°,<br>EN/GB/HK/SAA/JIS  |
|                 | DAA402CX139     |  |  |
| 105             | DAA402CX40-FO7  | Handrail guide, passenger side, UL,<br>FO7 | Bal. 1000, 2 flat step, 30°,<br>EN/GB/HK/SAA/JIS |
|                 | DAA402CX140     |  |  |
| 106             | DAA402CX41-FO7  | Handrail guide, passenger side, UL,<br>FO7 | Bal. 1000, 3 flat step, 30°,<br>EN/GB/HK/SAA/JIS |
|                 | DAA402CX141     |  |  |
| 107             | DAA402CX42-FO7  | Handrail guide, passenger side, UL,<br>FO7 | Bal. 1000, 4 flat step, 30°,<br>EN/GB/HK/SAA/JIS |
|                 | DAA402CX142     |  |  |

**508NCE/512NCE/515NPE-  
S/515NPE-L Escalator  
Balustrade Handrail Guide**

**Spare Parts Leaflet  
57-DAA26228AP**



515NPE-S-EN/GB/HK/SAA/JIS CODE, 512NCE-ANSI CODE  
INDOOR



UPPER LANDING = UL

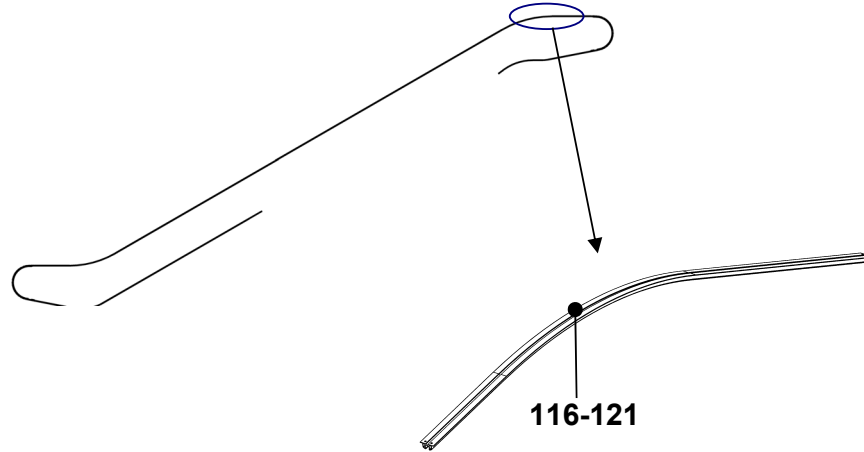
| DAA26228AP |                |   |   |
|------------|----------------|---|---|
| REF. No.   | PART No.       | DESCRIPTION                             |   |
| 108        | DAA402CX43-FO7 | Handrail guide, passenger side, UL, FO7 | Bal. 930, 2 flat step, 35°, EN/GB/HK/SAA/JIS  |
|            | DAA402CX143    |   |   |
| 109        | DAA402CX44-FO7 | Handrail guide, passenger side, UL, FO7 | Bal. 930, 3 flat step, 35°, EN/GB/HK/SAA/JIS  |
|            | DAA402CX144    |   |   |
| 110        | DAA402CX45-FO7 | Handrail guide, passenger side, UL, FO7 | Bal. 930, 4 flat step, 35°, EN/GB/HK/SAA/JIS  |
|            | DAA402CX145    |   |   |
| 111        | DAA402CX46-FO7 | Handrail guide, passenger side, UL, FO7 | Bal. 1000, 2 flat step, 35°, EN/GB/HK/SAA/JIS |
|            | DAA402CX146    |   |   |
| 112        | DAA402CX47-FO7 | Handrail guide, passenger side, UL, FO7 | Bal. 1000, 3 flat step, 35°, EN/GB/HK/SAA/JIS |
|            | DAA402CX147    |   |   |
| 113        | DAA402CX48-FO7 | Handrail guide, passenger side, UL, FO7 | Bal. 1000, 4 flat step, 35°, EN/GB/HK/SAA/JIS |
|            | DAA402CX148    |   |   |
| 114        | DAA402CX35-FO7 | Handrail guide, passenger side, UL, FO7 | Bal. 1000, 2 flat step, 30°, ANSI             |
|            | DAA402CX135    |   |   |
| 115        | DAA402CX36-FO7 | Handrail guide, passenger side, UL, FO7 | Bal. 1000, 3 flat step, 30°, ANSI             |
|            | DAA402CX136    |   |   |

**508NCE/512NCE/515NPE-S/515NPE-L Escalator Balustrade Handrail Guide**

**Spare Parts Leaflet  
57-DAA26228AP**



**515NPE-S-EN/GB/HK/SAA/JIS CODE  
SEMI-OUTDOOR / OUTDOOR**



**UPPER LANDING = UL**

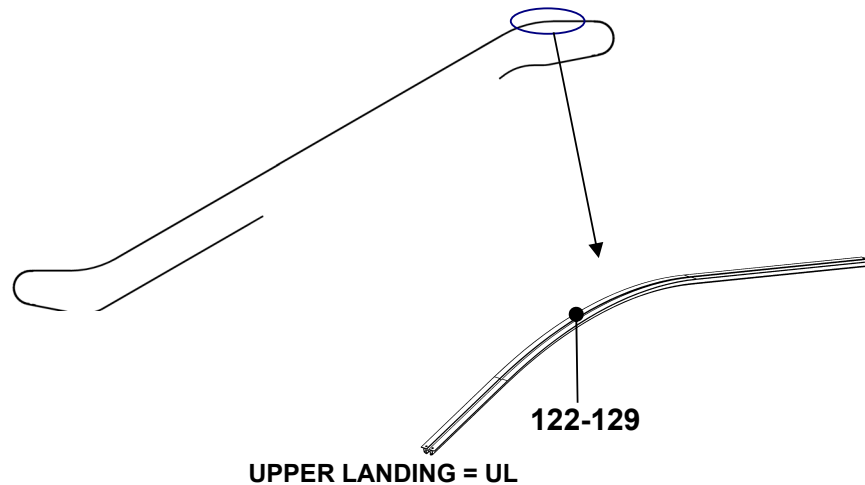
| <b>DAA26228AP</b> |                 |  |                              |
|-------------------|-----------------|--|------------------------------|
| <b>REF. No.</b>   | <b>PART No.</b> | <b>DESCRIPTION</b>                       |                              |
| 116               | DAA402CX37-FO10 | Handrail guide, passenger side, UL, FO10 | Bal. 930, 2 flat step, 30°,  |
|                   | DAA402CX237     |  |                              |
| 117               | DAA402CX38-FO10 | Handrail guide, passenger side, UL, FO10 | Bal. 930, 3 flat step, 30°,  |
|                   | DAA402CX238     |  |                              |
| 118               | DAA402CX39-FO10 | Handrail guide, passenger side, UL, FO10 | Bal. 930, 4 flat step, 30°,  |
|                   | DAA402CX239     |  |                              |
| 119               | DAA402CX40-FO10 | Handrail guide, passenger side, UL, FO10 | Bal. 1000, 2 flat step, 30°, |
|                   | DAA402CX240     |  |                              |
| 120               | DAA402CX41-FO10 | Handrail guide, passenger side, UL, FO10 | Bal. 1000, 3 flat step, 30°, |
|                   | DAA402CX241     |  |                              |
| 121               | DAA402CX42-FO10 | Handrail guide, passenger side, UL, FO10 | Bal. 1000, 4 flat step, 30°, |
|                   | DAA402CX242     |  |                              |

**508NCE/512NCE/515NPE-  
S/515NPE-L Escalator  
Balustrade Handrail Guide**

**Spare Parts Leaflet  
57-DAA26228AP**



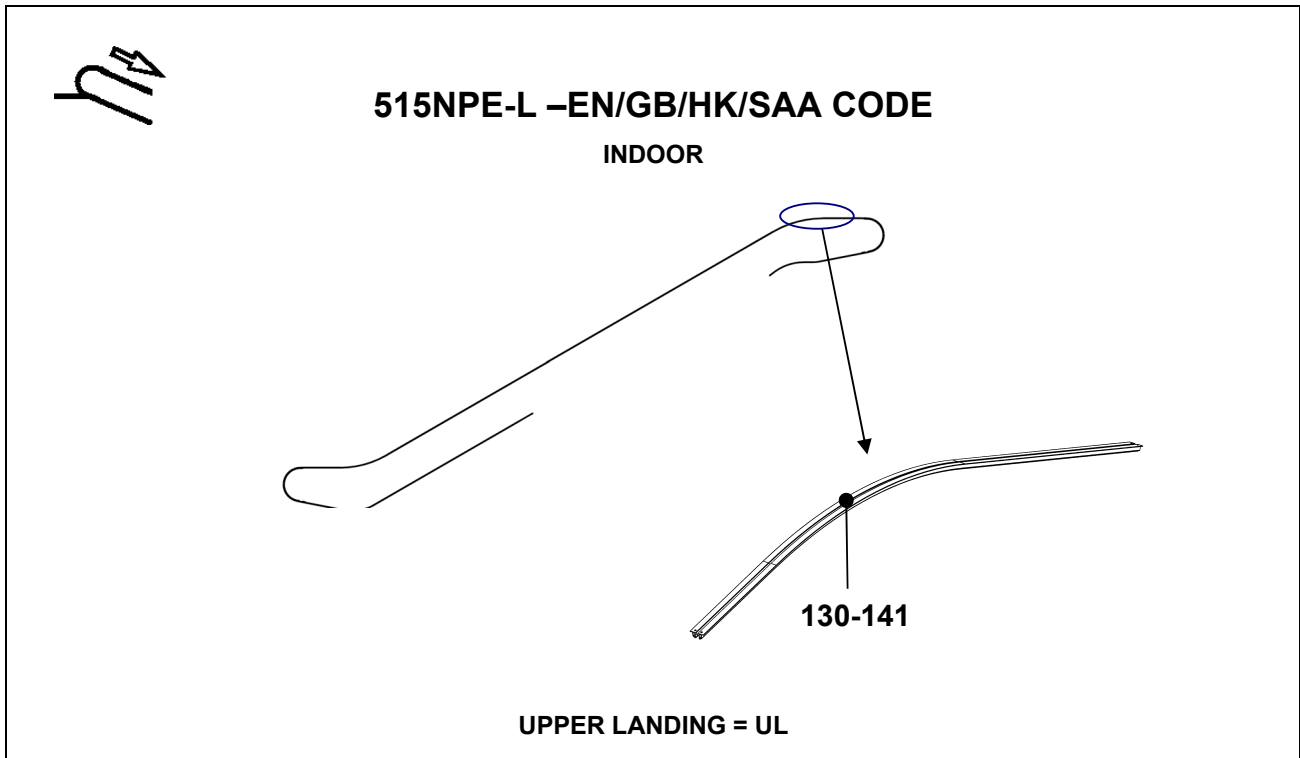
515NPE-S-EN/GB/HK/SAA/JIS CODE, 512NCE ANSI CODE  
SEMI-OUTDOOR / OUTDOOR



| DAA26228AP |                 |  |   |
|------------|-----------------|--|---|
| REF. No.   | PART No.        | DESCRIPTION                              |   |
| 122        | DAA402CX43-FO10 | Handrail guide, passenger side, UL, FO10 | Bal. 930, 2 flat step, 35°, EN/GB/HK/SAA/JIS  |
|            | DAA402CX243     |  |   |
| 123        | DAA402CX44-FO10 | Handrail guide, passenger side, UL, FO10 | Bal. 930, 3 flat step, 35°, EN/GB/HK/SAA/JIS  |
|            | DAA402CX244     |  |   |
| 124        | DAA402CX45-FO10 | Handrail guide, passenger side, UL, FO10 | Bal. 930, 4 flat step, 35°, EN/GB/HK/SAA/JIS  |
|            | DAA402CX245     |  |   |
| 125        | DAA402CX46-FO10 | Handrail guide, passenger side, UL, FO10 | Bal. 1000, 2 flat step, 35°, EN/GB/HK/SAA/JIS |
|            | DAA402CX246     |  |   |
| 126        | DAA402CX47-FO10 | Handrail guide, passenger side, UL, FO10 | Bal. 1000, 3 flat step, 35°, EN/GB/HK/SAA/JIS |
|            | DAA402CX247     |  |   |
| 127        | DAA402CX48-FO10 | Handrail guide, passenger side, UL, FO10 | Bal. 1000, 4 flat step, 35°, EN/GB/HK/SAA/JIS |
|            | DAA402CX248     |  |   |
| 128        | DAA402CX35-FO10 | Handrail guide, passenger side, UL, FO10 | Bal. 1000, 2 flat step, 30°, ANSI             |
|            | DAA402CX235     |  |   |
| 129        | DAA402CX36-FO10 | Handrail guide, passenger side, UL, FO10 | Bal. 1000, 3 flat step, 30°, ANSI             |
|            | DAA402CX236     |  |   |

**508NCE/512NCE/515NPE-  
S/515NPE-L Escalator  
Balustrade Handrail Guide**

**Spare Parts Leaflet  
57-DAA26228AP**



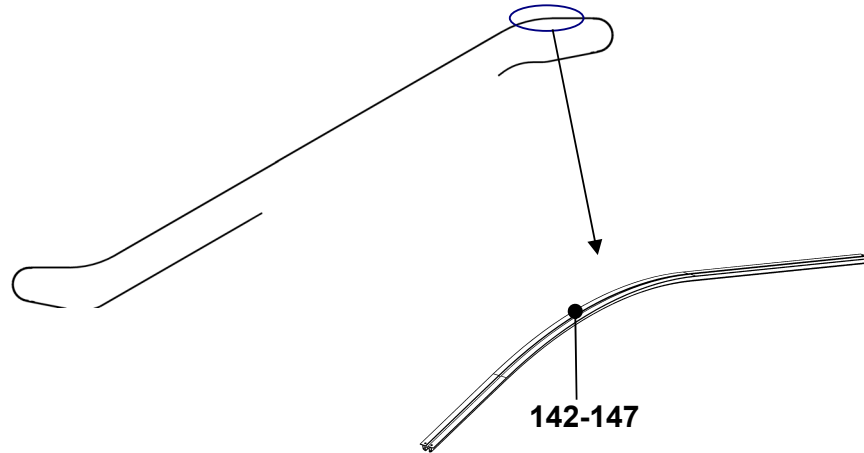
| DAA26228AP |            |                                    |                             |
|------------|------------|------------------------------------|-----------------------------|
| REF. No.   | PART No.   | DESCRIPTION                        |                             |
| 130        | DAA402CX21 | Handrail guide, passenger side, UL | Bal. 930, 2 flat step, 30°  |
| 131        | DAA402CX22 | Handrail guide, passenger side, UL | Bal. 930, 3 flat step, 30°  |
| 132        | DAA402CX23 | Handrail guide, passenger side, UL | Bal. 930, 4 flat step, 30°  |
| 133        | DAA402CX24 | Handrail guide, passenger side, UL | Bal. 1000, 2 flat step, 30° |
| 134        | DAA402CX25 | Handrail guide, passenger side, UL | Bal. 1000, 3 flat step, 30° |
| 135        | DAA402CX26 | Handrail guide, passenger side, UL | Bal. 1000, 4 flat step, 30° |
| 136        | DAA402CX27 | Handrail guide, passenger side, UL | Bal. 930, 2 flat step, 35°  |
| 137        | DAA402CX28 | Handrail guide, passenger side, UL | Bal. 930, 3 flat step, 35°  |
| 138        | DAA402CX29 | Handrail guide, passenger side, UL | Bal. 930, 4 flat step, 35°  |
| 139        | DAA402CX30 | Handrail guide, passenger side, UL | Bal. 1000, 2 flat step, 35° |
| 140        | DAA402CX31 | Handrail guide, passenger side, UL | Bal. 1000, 3 flat step, 35° |
| 141        | DAA402CX32 | Handrail guide, passenger side, UL | Bal. 1000, 4 flat step, 35° |

**508NCE/512NCE/515NPE-  
S/515NPE-L Escalator  
Balustrade Handrail Guide**

**Spare Parts Leaflet  
57-DAA26228AP**



**515NPE-L –EN/GB/HK/SAA CODE  
INDOOR**



UPPER LANDING = UL

**DAA26228AP**

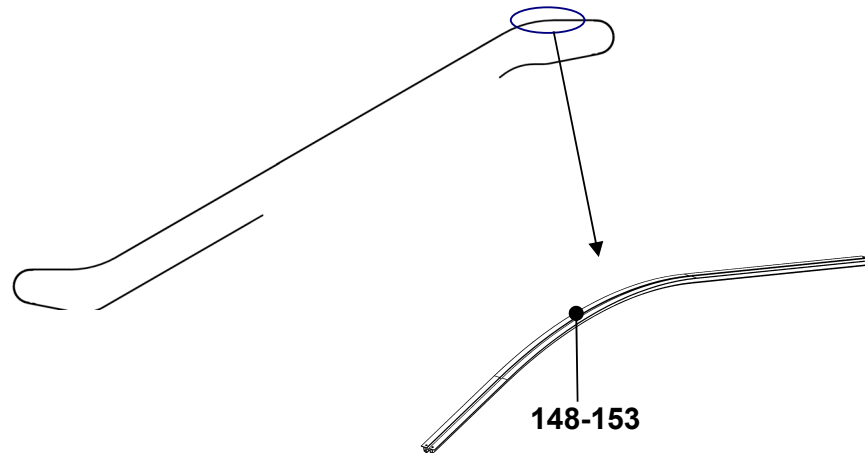
| <b>REF. No.</b> | <b>PART No.</b> | <b>DESCRIPTION</b>                         |                             |
|-----------------|-----------------|--|-----------------------------|
| 142             | DAA402CX21-FO7  | Handrail guide, passenger side, UL,<br>FO7 | Bal. 930, 2 flat step, 30°  |
|                 | DAA402CX121     |  |                             |
| 143             | DAA402CX22-FO7  | Handrail guide, passenger side, UL,<br>FO7 | Bal. 930, 3 flat step, 30°  |
|                 | DAA402CX122     |  |                             |
| 144             | DAA402CX23-FO7  | Handrail guide, passenger side, UL,<br>FO7 | Bal. 930, 4 flat step, 30°  |
|                 | DAA402CX123     |  |                             |
| 145             | DAA402CX24-FO7  | Handrail guide, passenger side, UL,<br>FO7 | Bal. 1000, 2 flat step, 30° |
|                 | DAA402CX124     |  |                             |
| 146             | DAA402CX25-FO7  | Handrail guide, passenger side, UL,<br>FO7 | Bal. 1000, 3 flat step, 30° |
|                 | DAA402CX125     |  |                             |
| 147             | DAA402CX26-FO7  | Handrail guide, passenger side, UL,<br>FO7 | Bal. 1000, 4 flat step, 30° |
|                 | DAA402CX126     |  |                             |

**508NCE/512NCE/515NPE-  
S/515NPE-L Escalator  
Balustrade Handrail Guide**

**Spare Parts Leaflet  
57-DAA26228AP**



**515NPE-L -EN/GB/HK/SAA CODE  
INDOOR**



**UPPER LANDING = UL**

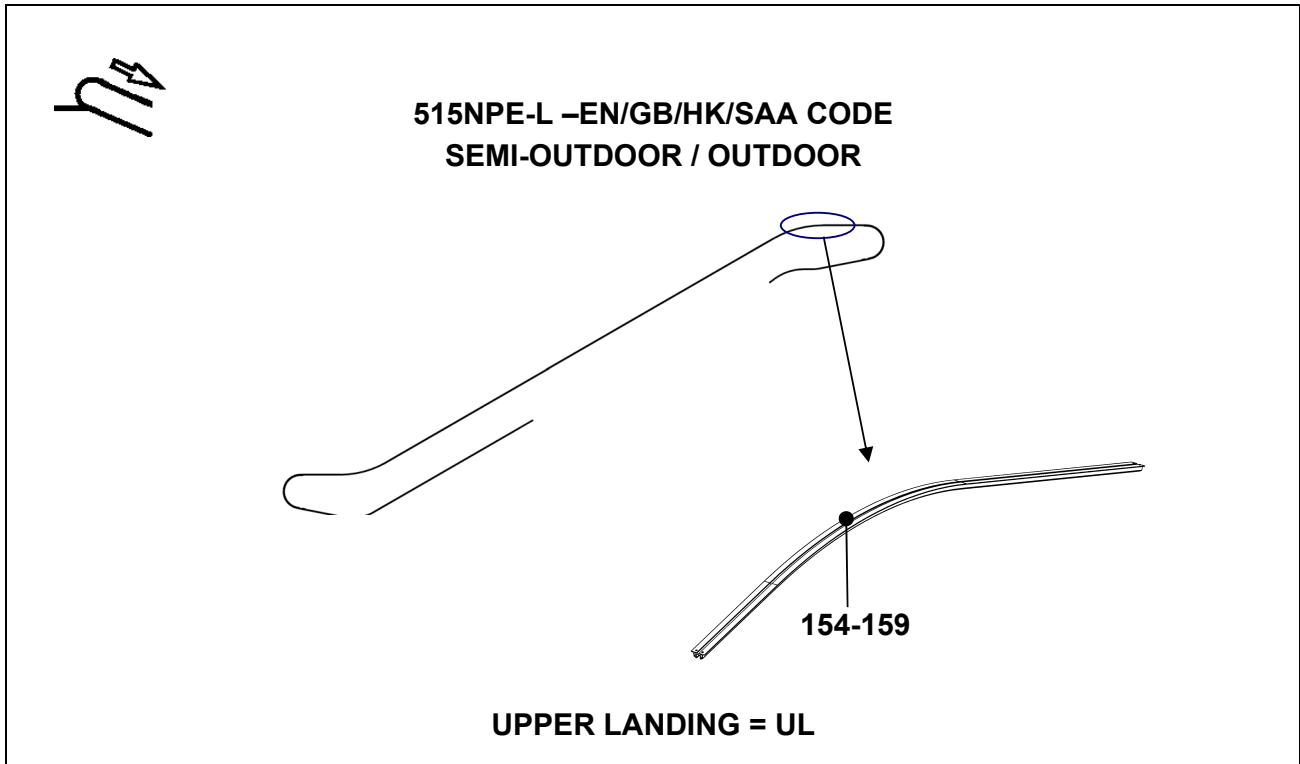
**DAA26228AP**

| <b>REF. No.</b> | <b>PART No.</b> | <b>DESCRIPTION</b>                         |                             |
|-----------------|-----------------|--|-----------------------------|
| 148             | DAA402CX27-FO7  | Handrail guide, passenger side, UL,<br>FO7 | Bal. 930, 2 flat step, 35°  |
|                 | DAA402CX127     |  |                             |
| 149             | DAA402CX28-FO7  | Handrail guide, passenger side, UL,<br>FO7 | Bal. 930, 3 flat step, 35°  |
|                 | DAA402CX128     |  |                             |
| 150             | DAA402CX29-FO7  | Handrail guide, passenger side, UL,<br>FO7 | Bal. 930, 4 flat step, 35°  |
|                 | DAA402CX129     |  |                             |
| 151             | DAA402CX30-FO7  | Handrail guide, passenger side, UL,<br>FO7 | Bal. 1000, 2 flat step, 35° |
|                 | DAA402CX130     |  |                             |
| 152             | DAA402CX31-FO7  | Handrail guide, passenger side, UL,<br>FO7 | Bal. 1000, 3 flat step, 35° |
|                 | DAA402CX131     |  |                             |
| 153             | DAA402CX32-FO7  | Handrail guide, passenger side, UL,<br>FO7 | Bal. 1000, 4 flat step, 35° |
|                 | DAA402CX132     |  |                             |



**508NCE/512NCE/515NPE-  
S/515NPE-L Escalator  
Balustrade Handrail Guide**

**Spare Parts Leaflet  
57-DAA26228AP**



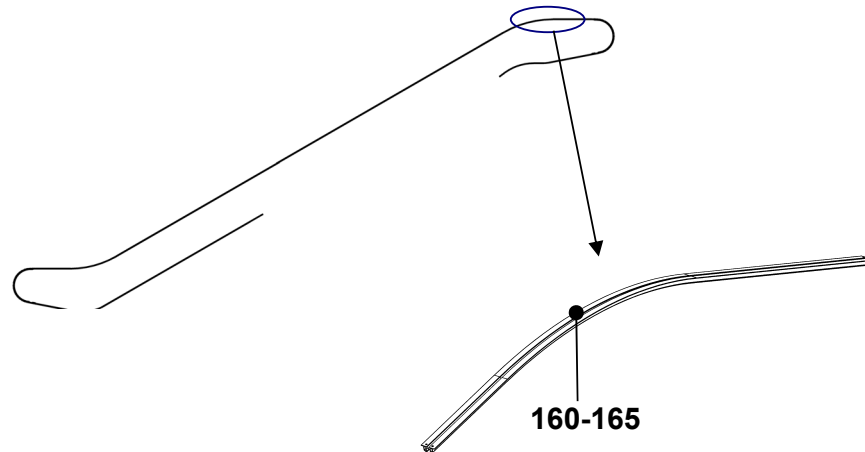
| DAA26228AP |                 |   |                             |
|------------|-----------------|---|-----------------------------|
| REF. No.   | PART No.        | DESCRIPTION                                 |                             |
| 154        | DAA402CX21-FO10 | Handrail guide, passenger side, UL,<br>FO10 | Bal. 930, 2 flat step, 30°  |
|            | DAA402CX221     |   |                             |
| 155        | DAA402CX22-FO10 | Handrail guide, passenger side, UL,<br>FO10 | Bal. 930, 3 flat step, 30°  |
|            | DAA402CX222     |   |                             |
| 156        | DAA402CX23-FO10 | Handrail guide, passenger side, UL,<br>FO10 | Bal. 930, 4 flat step, 30°  |
|            | DAA402CX223     |   |                             |
| 157        | DAA402CX24-FO10 | Handrail guide, passenger side, UL,<br>FO10 | Bal. 1000, 2 flat step, 30° |
|            | DAA402CX224     |   |                             |
| 158        | DAA402CX25-FO10 | Handrail guide, passenger side, UL,<br>FO10 | Bal. 1000, 3 flat step, 30° |
|            | DAA402CX225     |   |                             |
| 159        | DAA402CX26-FO10 | Handrail guide, passenger side, UL,<br>FO10 | Bal. 1000, 4 flat step, 30° |
|            | DAA402CX226     |   |                             |

**508NCE/512NCE/515NPE-  
S/515NPE-L Escalator  
Balustrade Handrail Guide**

**Spare Parts Leaflet  
57-DAA26228AP**

44

**515NPE-L –EN/GB/HK/SAA CODE  
SEMI-OUTDOOR / OUTDOOR**



**UPPER LANDING = UL**

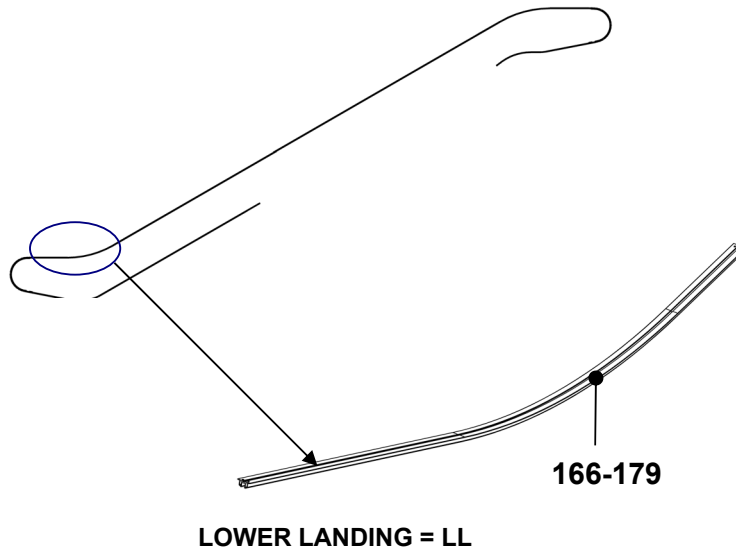
| <b>DAA26228AP</b> |                 |  |                             |
|-------------------|-----------------|--|-----------------------------|
| <b>REF. No.</b>   | <b>PART No.</b> | <b>DESCRIPTION</b>                       |                             |
| 160               | DAA402CX27-FO10 | Handrail guide, passenger side, UL, FO10 | Bal. 930, 2 flat step, 35°  |
|                   | DAA402CX227     |  |                             |
| 161               | DAA402CX28-FO10 | Handrail guide, passenger side, UL, FO10 | Bal. 930, 3 flat step, 35°  |
|                   | DAA402CX228     |  |                             |
| 162               | DAA402CX29-FO10 | Handrail guide, passenger side, UL, FO10 | Bal. 930, 4 flat step, 35°  |
|                   | DAA402CX229     |  |                             |
| 163               | DAA402CX30-FO10 | Handrail guide, passenger side, UL, FO10 | Bal. 1000, 2 flat step, 35° |
|                   | DAA402CX230     |  |                             |
| 164               | DAA402CX31-FO10 | Handrail guide, passenger side, UL, FO10 | Bal. 1000, 3 flat step, 35° |
|                   | DAA402CX231     |  |                             |
| 165               | DAA402CX32-FO10 | Handrail guide, passenger side, UL, FO10 | Bal. 1000, 4 flat step, 35° |
|                   | DAA402CX232     |  |                             |

**508NCE/512NCE/515NPE-  
S/515NPE-L Escalator  
Balustrade Handrail Guide**

**Spare Parts Leaflet  
57-DAA26228AP**



**508NCE EN/GB/HK/SAA/JIS/ANSI CODE  
INDOOR**



| <b>DAA26228AP</b> |                 |                                    |  |
|-------------------|-----------------|------------------------------------|--|
| <b>REF. No.</b>   | <b>PART No.</b> | <b>DESCRIPTION</b>                 |  |
| 166               | DAA402CY1       | Handrail guide, passenger side, LL | Bal. 930, 2 flat step, 30°, EN/GB/HK/SAA                             |
| 167               | DAA402CY2       | Handrail guide, passenger side, LL | Bal. 930, 3 flat step, 30°, EN/GB/HK/SAA                             |
| 168               | DAA402CY3       | Handrail guide, passenger side, LL | Bal. 1000, 2 flat step, 30°, EN/GB/HK/SAA                            |
| 169               | DAA402CY4       | Handrail guide, passenger side, LL | Bal. 1000, 3 flat step, 30°, EN/GB/HK/SAA                            |
| 170               | DAA402CY5       | Handrail guide, passenger side, LL | Bal. 930, 2 flat step, 35°, EN/GB/HK/SAA<br>1.4 flat step, 35°, JIS  |
| 171               | DAA402CY6       | Handrail guide, passenger side, LL | Bal. 930, 3 flat step, 35°, EN/GB/HK/SAA/JIS                         |
| 172               | DAA402CY7       | Handrail guide, passenger side, LL | Bal. 1000, 2 flat step, 35°, EN/GB/HK/SAA<br>1.4 flat step, 35°, JIS |
| 173               | DAA402CY8       | Handrail guide, passenger side, LL | Bal. 1000, 3 flat step, 35°, EN/GB/HK/SAA/JIS                        |
| 174               | DAA402CY9       | Handrail guide, passenger side, LL | Bal. 930, 1.4 flat step, 30°, JIS                                    |
| 175               | DAA402CY33      | Handrail guide, passenger side, LL | Bal. 930, 3 flat step, 30°, JIS                                      |
| 176               | DAA402CY10      | Handrail guide, passenger side, LL | Bal. 1000, 1.4 flat step, 30°, JIS                                   |
| 177               | DAA402CY34      | Handrail guide, passenger side, LL | Bal. 1000, 3 flat step, 30°, JIS                                     |
| 178               | DAA402CY13      | Handrail guide, passenger side, LL | Bal. 1000, 2 flat step, 30°, ANSI                                    |
| 179               | DAA402CY14      | Handrail guide, passenger side, LL | Bal. 1000, 3 flat step, 30°, ANSI                                    |

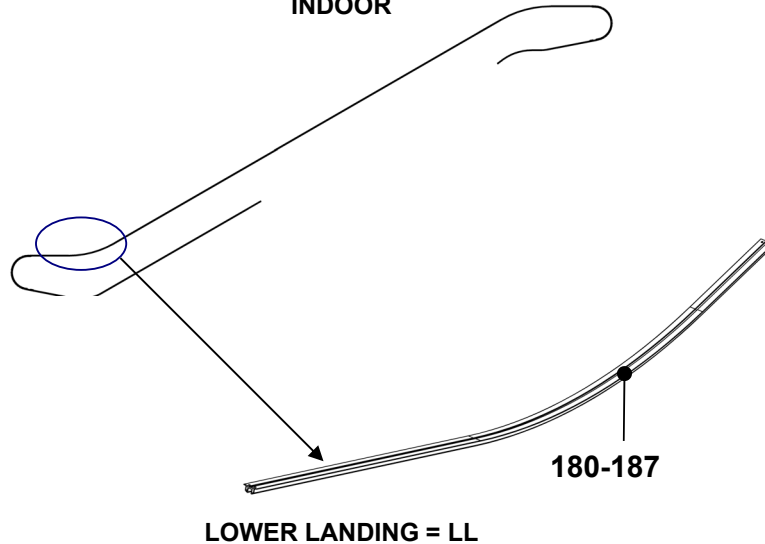
**508NCE/512NCE/515NPE-  
S/515NPE-L Escalator  
Balustrade Handrail Guide**

**Spare Parts Leaflet  
57-DAA26228AP**



**508NCE EN/GB/HK/SAA CODE**

INDOOR



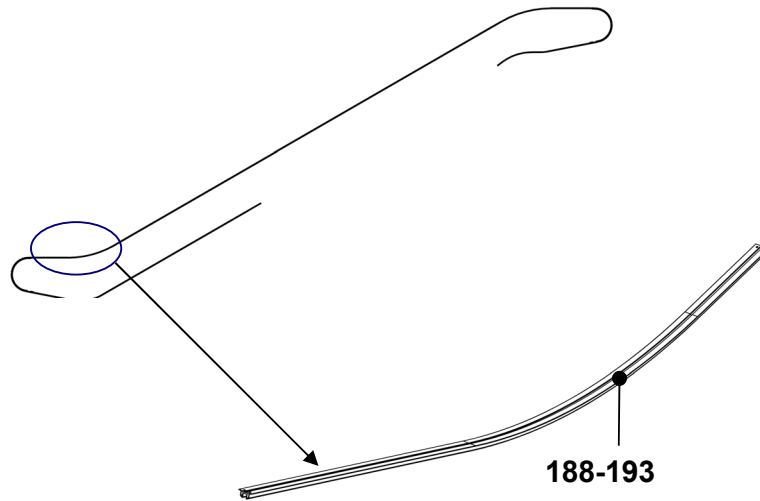
| DAA26228AP |               |   |  |
|------------|---------------|---|--|
| REF. No.   | PART No.      | DESCRIPTION                             |  |
| 180        | DAA402CY1-FO7 | Handrail guide, passenger side, LL, FO7 | Bal. 930, 2 flat step, 30°, EN/GB/HK/SAA                             |
|            | DAA402CY101   |   |  |
| 181        | DAA402CY2-FO7 | Handrail guide, passenger side, LL, FO7 | Bal. 930, 3 flat step, 30°, EN/GB/HK/SAA                             |
|            | DAA402CY102   |   |  |
| 182        | DAA402CY3-FO7 | Handrail guide, passenger side, LL, FO7 | Bal. 1000, 2 flat step, 30°, EN/GB/HK/SAA                            |
|            | DAA402CY103   |   |  |
| 183        | DAA402CY4-FO7 | Handrail guide, passenger side, LL, FO7 | Bal. 1000, 3 flat step, 30°, EN/GB/HK/SAA                            |
|            | DAA402CY104   |   |  |
| 184        | DAA402CY5-FO7 | Handrail guide, passenger side, LL, FO7 | Bal. 930, 2 flat step, 35°, EN/GB/HK/SAA<br>1.4 flat step, 35°, JIS  |
|            | DAA402CY105   |   |  |
| 185        | DAA402CY6-FO7 | Handrail guide, passenger side, LL, FO7 | Bal. 930, 3 flat step, 35°, EN/GB/HK/SAA/JIS                         |
|            | DAA402CY106   |   |  |
| 186        | DAA402CY7-FO7 | Handrail guide, passenger side, LL, FO7 | Bal. 1000, 2 flat step, 35°, EN/GB/HK/SAA<br>1.4 flat step, 35°, JIS |
|            | DAA402CY107   |   |  |
| 187        | DAA402CY8-FO7 | Handrail guide, passenger side, LL, FO7 | Bal. 1000, 3 flat step, 35°, EN/GB/HK/SAA/JIS                        |
|            | DAA402CY108   |   |  |

**508NCE/512NCE/515NPE-  
S/515NPE-L Escalator  
Balustrade Handrail Guide**

**Spare Parts Leaflet  
57-DAA26228AP**



**508NCE JIS/ANSI CODE  
INDOOR**



**LOWER LANDING = LL**

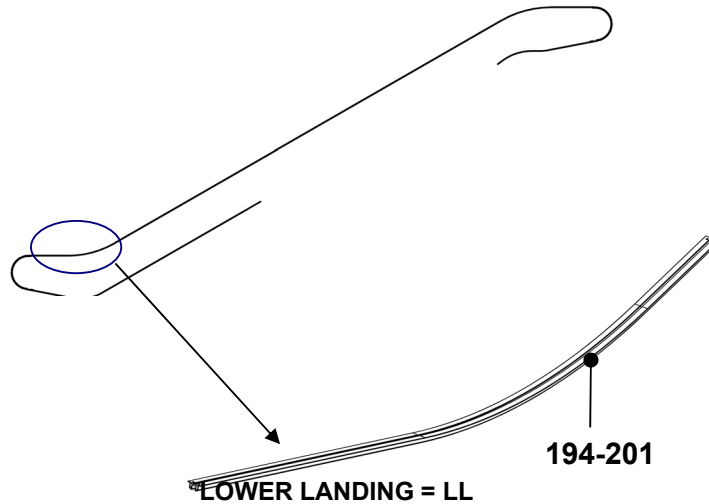
| <b>DAA26228AP</b> |                           |  |                                     |
|-------------------|---------------------------|--|-------------------------------------|
| <b>REF. No.</b>   | <b>PART No.</b>           | <b>DESCRIPTION</b>                         |                                     |
| 188               | <del>DAA402CY9-FO7</del>  | Handrail guide, passenger side, LL,<br>FO7 | Bal. 930, 1.4 flat step, 30° , JIS  |
|                   | DAA402CY109               |  |                                     |
| 189               | <del>DAA402CY33-FO7</del> | Handrail guide, passenger side, LL,<br>FO7 | Bal. 930, 3 flat step, 30° , JIS    |
|                   | DAA402CY133               |  |                                     |
| 190               | <del>DAA402CY10-FO7</del> | Handrail guide, passenger side, LL,<br>FO7 | Bal. 1000, 1.4 flat step, 30° , JIS |
|                   | DAA402CY110               |  |                                     |
| 191               | <del>DAA402CY34-FO7</del> | Handrail guide, passenger side, LL,<br>FO7 | Bal. 1000, 3 flat step, 30° , JIS   |
|                   | DAA402CY134               |  |                                     |
| 192               | <del>DAA402CY13-FO7</del> | Handrail guide, passenger side, LL,<br>FO7 | Bal. 1000, 2 flat step, 30° , ANSI  |
|                   | DAA402CY113               |  |                                     |
| 193               | <del>DAA402CY14-FO7</del> | Handrail guide, passenger side, LL,<br>FO7 | Bal. 1000, 3 flat step, 30° , ANSI  |
|                   | DAA402CY114               |  |                                     |

**508NCE/512NCE/515NPE-  
S/515NPE-L Escalator  
Balustrade Handrail Guide**

**Spare Parts Leaflet  
57-DAA26228AP**



**508NCE EN/GB/HK/SAA/JIS CODE**  
SEMI-OUTDOOR / OUTDOOR



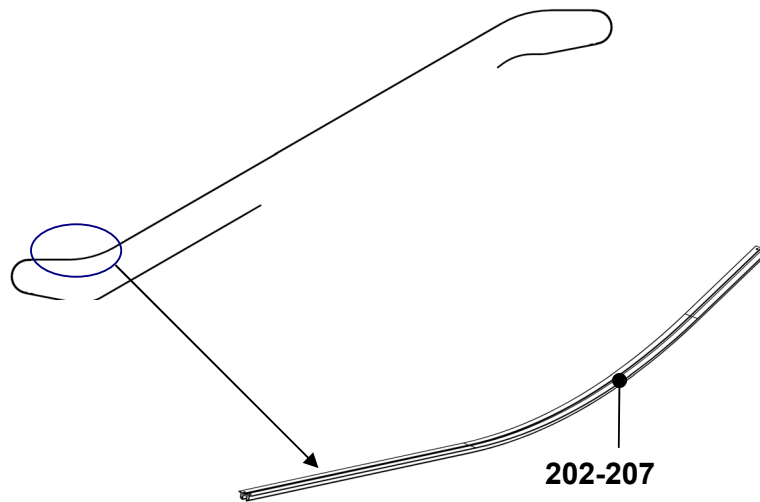
| DAA26228AP |                |  |  |
|------------|----------------|--|--|
| REF. No.   | PART No.       | DESCRIPTION                              |  |
| 194        | DAA402CY1-FO10 | Handrail guide, passenger side, LL, FO10 | Bal. 930, 2 flat step, 30°, EN/GB/HK/SAA                             |
|            | DAA402CY201    |  |  |
| 195        | DAA402CY2-FO10 | Handrail guide, passenger side, LL, FO10 | Bal. 930, 3 flat step, 30°, EN/GB/HK/SAA                             |
|            | DAA402CY202    |  |  |
| 196        | DAA402CY3-FO10 | Handrail guide, passenger side, LL, FO10 | Bal. 1000, 2 flat step, 30°, EN/GB/HK/SAA                            |
|            | DAA402CY203    |  |  |
| 197        | DAA402CY4-FO10 | Handrail guide, passenger side, LL, FO10 | Bal. 1000, 3 flat step, 30°, EN/GB/HK/SAA                            |
|            | DAA402CY204    |  |  |
| 198        | DAA402CY5-FO10 | Handrail guide, passenger side, LL, FO10 | Bal. 930, 2 flat step, 35°, EN/GB/HK/SAA<br>1.4 flat step, 35°, JIS  |
|            | DAA402CY205    |  |  |
| 199        | DAA402CY6-FO10 | Handrail guide, passenger side, LL, FO10 | Bal. 930, 3 flat step, 35°, EN/GB/HK/SAA/JIS                         |
|            | DAA402CY206    |  |  |
| 200        | DAA402CY7-FO10 | Handrail guide, passenger side, LL, FO10 | Bal. 1000, 2 flat step, 35°, EN/GB/HK/SAA<br>1.4 flat step, 35°, JIS |
|            | DAA402CY207    |  |  |
| 201        | DAA402CY8-FO10 | Handrail guide, passenger side, LL, FO10 | Bal. 1000, 3 flat step, 35°, EN/GB/HK/SAA/JIS                        |
|            | DAA402CY208    |  |  |

**508NCE/512NCE/515NPE-  
S/515NPE-L Escalator  
Balustrade Handrail Guide**

**Spare Parts Leaflet  
57-DAA26228AP**



**508NCE JIS/ANSI CODE  
SEMI-OUTDOOR / OUTDOOR**



**LOWER LANDING = LL**

| <b>DAA26228AP</b> |                 |   |                                     |
|-------------------|-----------------|---|-------------------------------------|
| <b>REF. No.</b>   | <b>PART No.</b> | <b>DESCRIPTION</b>                          |                                     |
| 202               | DAA402CY9-FO10  | Handrail guide, passenger side, LL,<br>FO10 | Bal. 930, 1.4 flat step, 30° , JIS  |
|                   | DAA402CY209     |   |                                     |
| 203               | DAA402CY33-FO10 | Handrail guide, passenger side, LL,<br>FO10 | Bal. 930, 3 flat step, 30° , JIS    |
|                   | DAA402CY233     |   |                                     |
| 204               | DAA402CY10-FO10 | Handrail guide, passenger side, LL,<br>FO10 | Bal. 1000, 1.4 flat step, 30° , JIS |
|                   | DAA402CY210     |   |                                     |
| 205               | DAA402CY34-FO10 | Handrail guide, passenger side, LL,<br>FO10 | Bal. 1000, 3 flat step, 30° , JIS   |
|                   | DAA402CY234     |   |                                     |
| 206               | DAA402CY13-FO10 | Handrail guide, passenger side, LL,<br>FO10 | Bal. 1000, 2 flat step, 30° , ANSI  |
|                   | DAA402CY213     |   |                                     |
| 207               | DAA402CY14-FO10 | Handrail guide, passenger side, LL,<br>FO10 | Bal. 1000, 3 flat step, 30° , ANSI  |
|                   | DAA402CY214     |   |                                     |

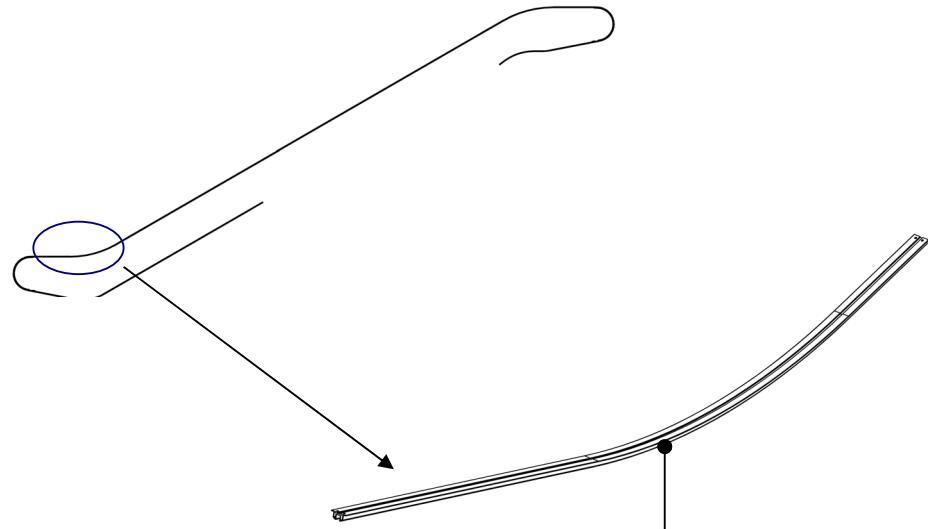
**508NCE/512NCE/515NPE-  
S/515NPE-L Escalator  
Balustrade Handrail Guide**

**Spare Parts Leaflet  
57-DAA26228AP**



**515NPE-S EN/GB/HK/SAA/JIS CODE & 512NCE ANSI CODE**

**INDOOR**



**LOWER LANDING = LL**

**208-221**

**DAA26228AP**

| <b>REF. No.</b> | <b>PART No.</b> | <b>DESCRIPTION</b>                 |   |
|-----------------|-----------------|------------------------------------|---|
| 208             | DAA402CY37      | Handrail guide, passenger side, LL | Bal. 930, 2 flat step, 30°, EN/GB/HK/SAA/JIS  |
| 209             | DAA402CY38      | Handrail guide, passenger side, LL | Bal. 930, 3 flat step, 30°, EN/GB/HK/SAA/JIS  |
| 210             | DAA402CY39      | Handrail guide, passenger side, LL | Bal. 930, 4 flat step, 30°, EN/GB/HK/SAA/JIS  |
| 211             | DAA402CY40      | Handrail guide, passenger side, LL | Bal. 1000, 2 flat step, 30°, EN/GB/HK/SAA/JIS |
| 212             | DAA402CY41      | Handrail guide, passenger side, LL | Bal. 1000, 3 flat step, 30°, EN/GB/HK/SAA/JIS |
| 213             | DAA402CY42      | Handrail guide, passenger side, LL | Bal. 1000, 4 flat step, 30°, EN/GB/HK/SAA/JIS |
| 214             | DAA402CY43      | Handrail guide, passenger side, LL | Bal. 930, 2 flat step, 35°, EN/GB/HK/SAA/JIS  |
| 215             | DAA402CY44      | Handrail guide, passenger side, LL | Bal. 930, 3 flat step, 35°, EN/GB/HK/SAA/JIS  |
| 216             | DAA402CY45      | Handrail guide, passenger side, LL | Bal. 930, 4 flat step, 35°, EN/GB/HK/SAA/JIS  |
| 217             | DAA402CY46      | Handrail guide, passenger side, LL | Bal. 1000, 2 flat step, 35°, EN/GB/HK/SAA/JIS |
| 218             | DAA402CY47      | Handrail guide, passenger side, LL | Bal. 1000, 3 flat step, 35°, EN/GB/HK/SAA/JIS |
| 219             | DAA402CY48      | Handrail guide, passenger side, LL | Bal. 1000, 4 flat step, 35°, EN/GB/HK/SAA/JIS |
| 220             | DAA402CY35      | Handrail guide, passenger side, LL | Bal. 1000, 2 flat step, 30° , ANSI            |
| 221             | DAA402CY36      | Handrail guide, passenger side, LL | Bal. 1000, 3 flat step, 30° , ANSI            |

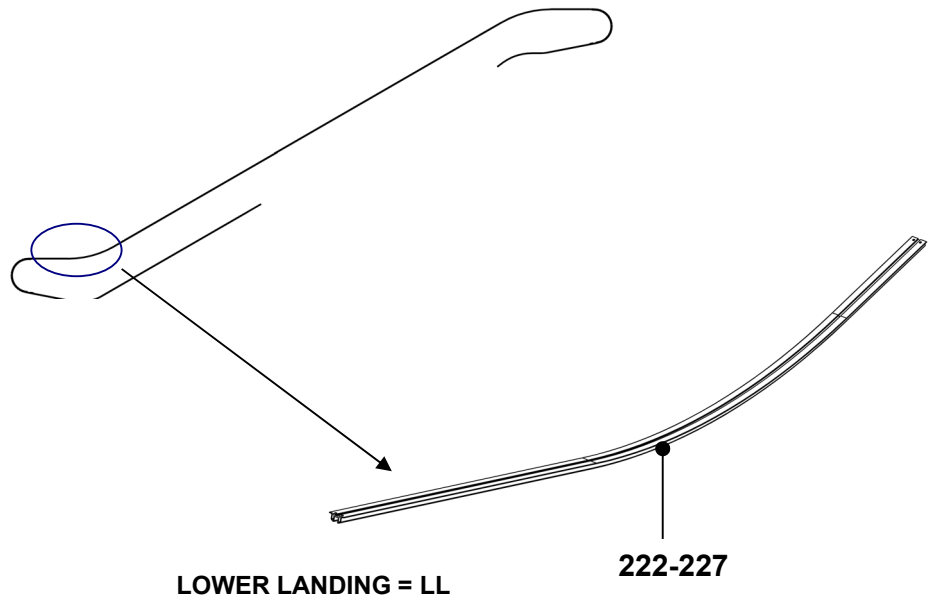


**508NCE/512NCE/515NPE-  
S/515NPE-L Escalator  
Balustrade Handrail Guide**

**Spare Parts Leaflet  
57-DAA26228AP**



**515NPE-S EN/GB/HK/SAA/JIS CODE**  
SEMI-OUTDOOR / OUTDOOR



**DAA26228AP**

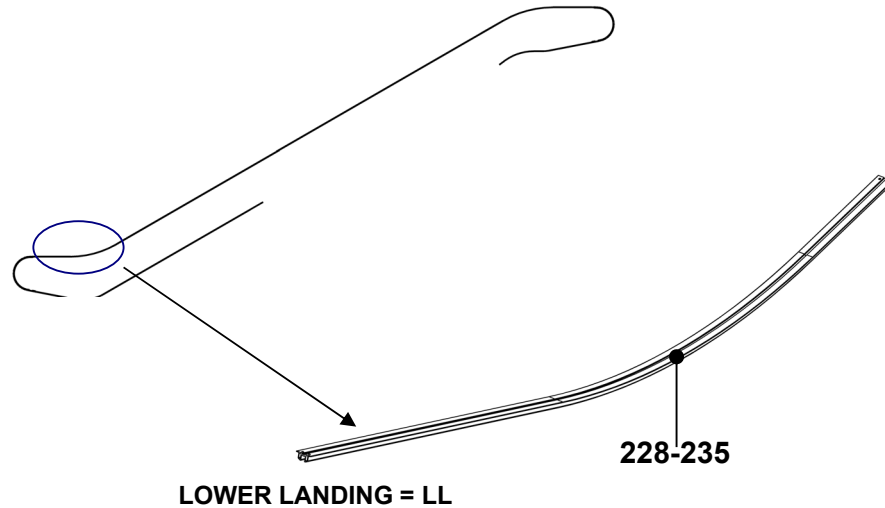
| <b>REF. No.</b> | <b>PART No.</b> | <b>DESCRIPTION</b>                         |  |
|-----------------|-----------------|--|--|
| 222             | DAA402CY37-FO7  | Handrail guide, passenger side, LL,<br>FO7 | Bal. 930, 2 flat step, 30°,<br>EN/GB/HK/SAA/JIS  |
|                 | DAA402CY137     |  |  |
| 223             | DAA402CY38-FO7  | Handrail guide, passenger side, LL,<br>FO7 | Bal. 930, 3 flat step, 30°,<br>EN/GB/HK/SAA/JIS  |
|                 | DAA402CY138     |  |  |
| 224             | DAA402CY39-FO7  | Handrail guide, passenger side, LL,<br>FO7 | Bal. 930, 4 flat step, 30°,<br>EN/GB/HK/SAA/JIS  |
|                 | DAA402CY139     |  |  |
| 225             | DAA402CY40-FO7  | Handrail guide, passenger side, LL,<br>FO7 | Bal. 1000, 2 flat step, 30°,<br>EN/GB/HK/SAA/JIS |
|                 | DAA402CY140     |  |  |
| 226             | DAA402CY41-FO7  | Handrail guide, passenger side, LL,<br>FO7 | Bal. 1000, 3 flat step, 30°,<br>EN/GB/HK/SAA/JIS |
|                 | DAA402CY141     |  |  |
| 227             | DAA402CY42-FO7  | Handrail guide, passenger side, LL,<br>FO7 | Bal. 1000, 4 flat step, 30°,<br>EN/GB/HK/SAA/JIS |
|                 | DAA402CY142     |  |  |

**508NCE/512NCE/515NPE-  
S/515NPE-L Escalator  
Balustrade Handrail Guide**

**Spare Parts Leaflet  
57-DAA26228AP**



**515NPE-S EN/GB/HK/SAA/JIS CODE, 512NCE ANSI**  
SEMI-OUTDOOR / OUTDOOR



**DAA26228AP**

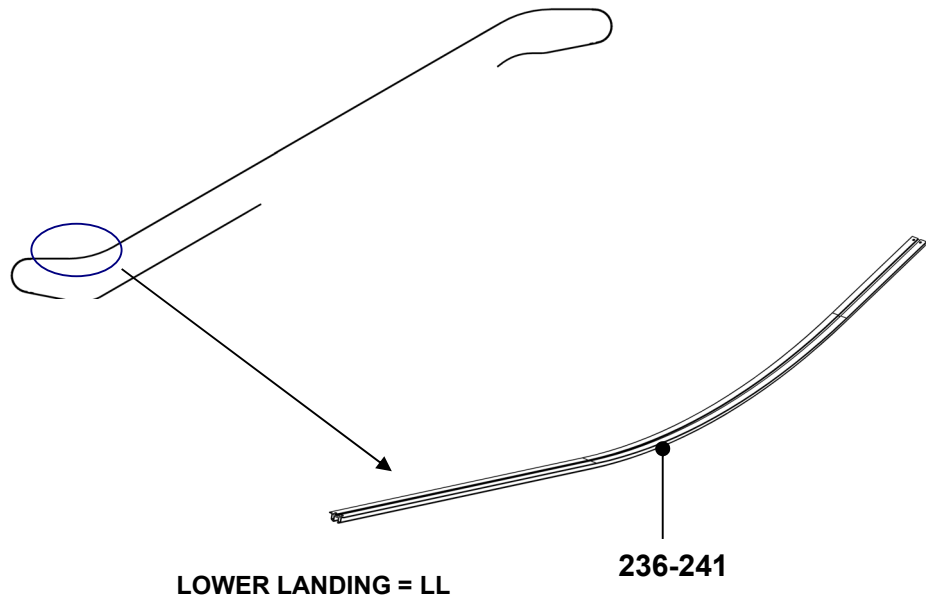
| <b>REF. No.</b> | <b>PART No.</b> | <b>DESCRIPTION</b>                 |  |
|-----------------|-----------------|------------------------------------|--|
| 228             | DAA402CY43-FO7  | Handrail guide, passenger side, LL | Bal. 930, 2 flat step, 35°,<br>EN/GB/HK/SAA/JIS  |
|                 | DAA402CY143     |                                    |  |
| 229             | DAA402CY44-FO7  | Handrail guide, passenger side, LL | Bal. 930, 3 flat step, 35°,<br>EN/GB/HK/SAA/JIS  |
|                 | DAA402CY144     |                                    |  |
| 230             | DAA402CY45-FO7  | Handrail guide, passenger side, LL | Bal. 930, 4 flat step, 35°,<br>EN/GB/HK/SAA/JIS  |
|                 | DAA402CY145     |                                    |  |
| 231             | DAA402CY46-FO7  | Handrail guide, passenger side, LL | Bal. 1000, 2 flat step, 35°,<br>EN/GB/HK/SAA/JIS |
|                 | DAA402CY146     |                                    |  |
| 232             | DAA402CY47-FO7  | Handrail guide, passenger side, LL | Bal. 1000, 3 flat step, 35°,<br>EN/GB/HK/SAA/JIS |
|                 | DAA402CY147     |                                    |  |
| 233             | DAA402CY48-FO7  | Handrail guide, passenger side, LL | Bal. 1000, 4 flat step, 35°,<br>EN/GB/HK/SAA/JIS |
|                 | DAA402CY148     |                                    |  |
| 234             | DAA402CY35-FO7  | Handrail guide, passenger side, LL | Bal. 1000, 2 flat step, 30°, ANSI                |
|                 | DAA402CY135     |                                    |  |
| 235             | DAA402CY36-FO7  | Handrail guide, passenger side, LL | Bal. 1000, 3 flat step, 30°, ANSI                |
|                 | DAA402CY136     |                                    |  |

**508NCE/512NCE/515NPE-  
S/515NPE-L Escalator  
Balustrade Handrail Guide**

**Spare Parts Leaflet  
57-DAA26228AP**



**515NPE-S EN/GB/HK/SAA/JIS CODE**  
SEMI-OUTDOOR / OUTDOOR



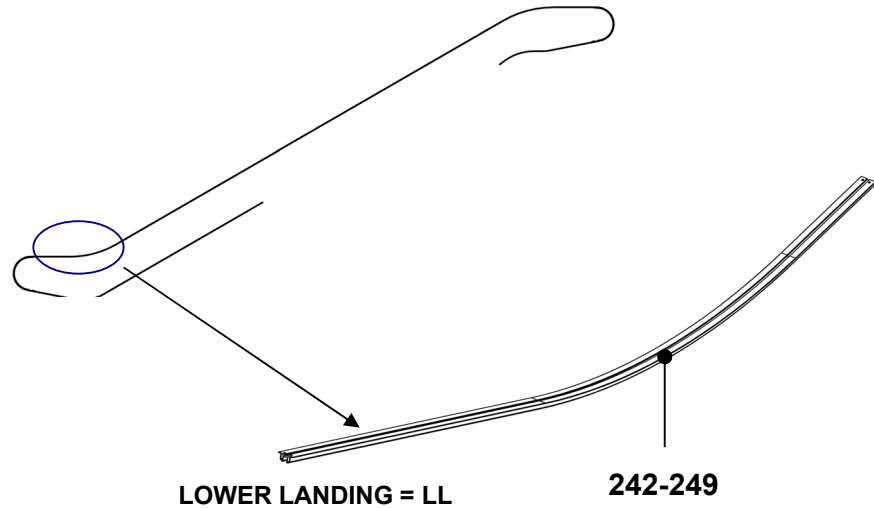
| DAA26228AP |                 |  |   |
|------------|-----------------|--|---|
| REF. No.   | PART No.        | DESCRIPTION                              |   |
| 236        | DAA402CY37-FO10 | Handrail guide, passenger side, LL, FO10 | Bal. 930, 2 flat step, 30°, EN/GB/HK/SAA/JIS  |
|            | DAA402CY237     |  |   |
| 237        | DAA402CY38-FO10 | Handrail guide, passenger side, LL, FO10 | Bal. 930, 3 flat step, 30°, EN/GB/HK/SAA/JIS  |
|            | DAA402CY238     |  |   |
| 238        | DAA402CY39-FO10 | Handrail guide, passenger side, LL, FO10 | Bal. 930, 4 flat step, 30°, EN/GB/HK/SAA/JIS  |
|            | DAA402CY239     |  |   |
| 239        | DAA402CY40-FO10 | Handrail guide, passenger side, LL, FO10 | Bal. 1000, 2 flat step, 30°, EN/GB/HK/SAA/JIS |
|            | DAA402CY240     |  |   |
| 240        | DAA402CY41-FO10 | Handrail guide, passenger side, LL, FO10 | Bal. 1000, 3 flat step, 30°, EN/GB/HK/SAA/JIS |
|            | DAA402CY241     |  |   |
| 241        | DAA402CY42-FO10 | Handrail guide, passenger side, LL, FO10 | Bal. 1000, 4 flat step, 30°, EN/GB/HK/SAA/JIS |
|            | DAA402CY242     |  |   |

**508NCE/512NCE/515NPE-  
S/515NPE-L Escalator  
Balustrade Handrail Guide**

**Spare Parts Leaflet  
57-DAA26228AP**



**515NPE-S EN/GB/HK/SAA/JIS CODE, 512NCE ANSI**  
SEMI-OUTDOOR / OUTDOOR



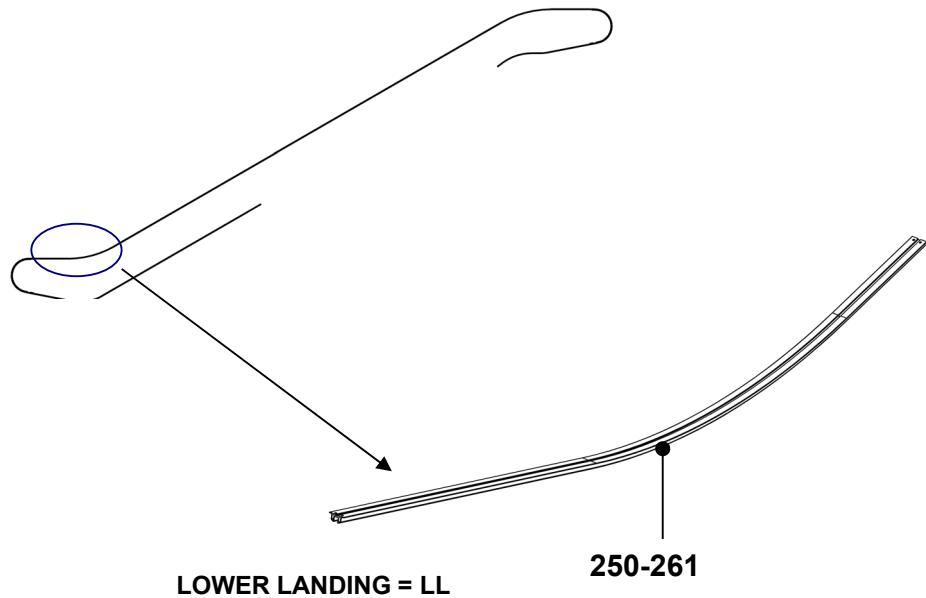
| DAA26228AP |                 |  |   |
|------------|-----------------|--|---|
| REF. No.   | PART No.        | DESCRIPTION                              |   |
| 242        | DAA402CY43-FO10 | Handrail guide, passenger side, LL, FO10 | Bal. 930, 2 flat step, 35°, EN/GB/HK/SAA/JIS  |
|            | DAA402CY243     |  |   |
| 243        | DAA402CY44-FO10 | Handrail guide, passenger side, LL, FO10 | Bal. 930, 3 flat step, 35°, EN/GB/HK/SAA/JIS  |
|            | DAA402CY244     |  |   |
| 244        | DAA402CY45-FO10 | Handrail guide, passenger side, LL, FO10 | Bal. 930, 4 flat step, 35°, EN/GB/HK/SAA/JIS  |
|            | DAA402CY245     |  |   |
| 245        | DAA402CY46-FO10 | Handrail guide, passenger side, LL, FO10 | Bal. 1000, 2 flat step, 35°, EN/GB/HK/SAA/JIS |
|            | DAA402CY246     |  |   |
| 246        | DAA402CY47-FO10 | Handrail guide, passenger side, LL, FO10 | Bal. 1000, 3 flat step, 35°, EN/GB/HK/SAA/JIS |
|            | DAA402CY247     |  |   |
| 247        | DAA402CY48-FO10 | Handrail guide, passenger side, LL, FO10 | Bal. 1000, 4 flat step, 35°, EN/GB/HK/SAA/JIS |
|            | DAA402CY248     |  |   |
| 248        | DAA402CY35-FO10 | Handrail guide, passenger side, LL, FO10 | Bal. 1000, 2 flat step, 30°, ANSI             |
|            | DAA402CY235     |  |   |
| 249        | DAA402CY36-FO10 | Handrail guide, passenger side, LL, FO10 | Bal. 1000, 3 flat step, 30°, ANSI             |
|            | DAA402CY236     |  |   |

**508NCE/512NCE/515NPE-  
S/515NPE-L Escalator  
Balustrade Handrail Guide**

**Spare Parts Leaflet  
57-DAA26228AP**



**515NPE-L EN/GB/HK/SAA CODE  
INDOOR**



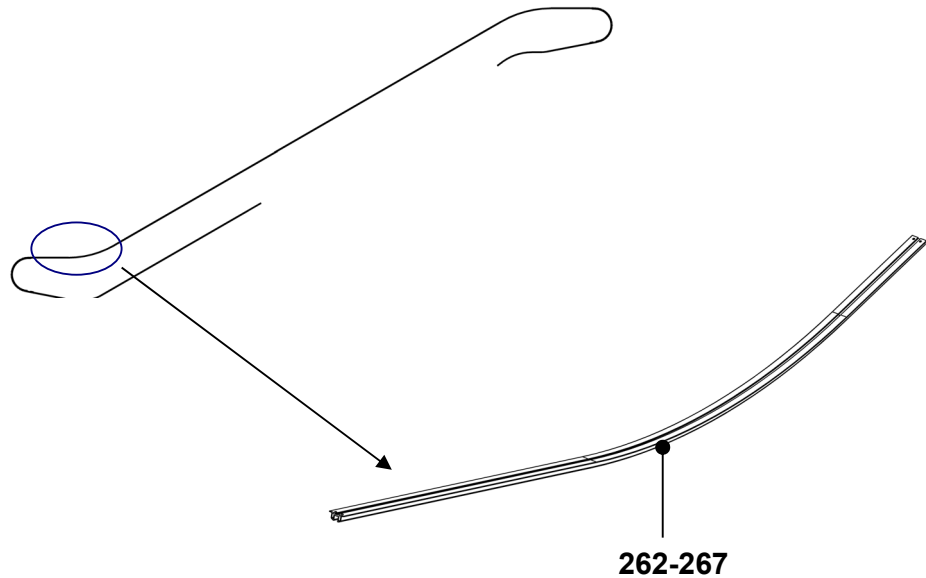
| <b>DAA26228AP</b> |                 |                                    |                             |
|-------------------|-----------------|------------------------------------|-----------------------------|
| <b>REF. No.</b>   | <b>PART No.</b> | <b>DESCRIPTION</b>                 |                             |
| 250               | DAA402CY21      | Handrail guide, passenger side, LL | Bal. 930, 2 flat step, 30°  |
| 251               | DAA402CY22      | Handrail guide, passenger side, LL | Bal. 930, 3 flat step, 30°  |
| 252               | DAA402CY23      | Handrail guide, passenger side, LL | Bal. 930, 4 flat step, 30°  |
| 253               | DAA402CY24      | Handrail guide, passenger side, LL | Bal. 1000, 2 flat step, 30° |
| 254               | DAA402CY25      | Handrail guide, passenger side, LL | Bal. 1000, 3 flat step, 30° |
| 255               | DAA402CY26      | Handrail guide, passenger side, LL | Bal. 1000, 4 flat step, 30° |
| 256               | DAA402CY27      | Handrail guide, passenger side, LL | Bal. 930, 2 flat step, 35°  |
| 257               | DAA402CY28      | Handrail guide, passenger side, LL | Bal. 930, 3 flat step, 35°  |
| 258               | DAA402CY29      | Handrail guide, passenger side, LL | Bal. 930, 4 flat step, 35°  |
| 259               | DAA402CY30      | Handrail guide, passenger side, LL | Bal. 1000, 2 flat step, 35° |
| 260               | DAA402CY31      | Handrail guide, passenger side, LL | Bal. 1000, 3 flat step, 35° |
| 261               | DAA402CY32      | Handrail guide, passenger side, LL | Bal. 1000, 4 flat step, 35° |

**508NCE/512NCE/515NPE-  
S/515NPE-L Escalator  
Balustrade Handrail Guide**

**Spare Parts Leaflet  
57-DAA26228AP**



**515NPE-L EN/GB/HK/SAA CODE  
INDOOR**



**LOWER LANDING = LL**

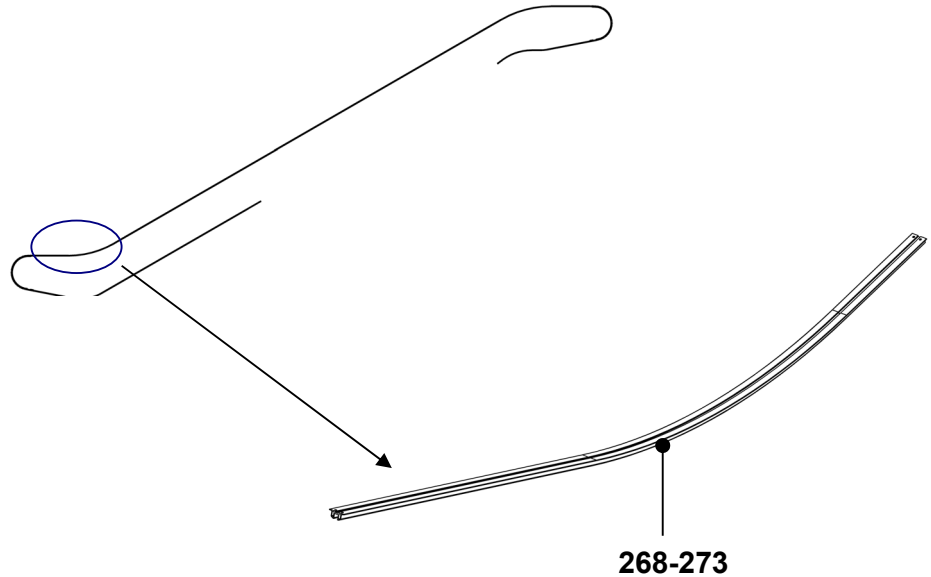
| <b>DAA26228AP</b> |                 |  |                             |
|-------------------|-----------------|--|-----------------------------|
| <b>REF. No.</b>   | <b>PART No.</b> | <b>DESCRIPTION</b>                         |                             |
| 262               | DAA402CY21-FO7  | Handrail guide, passenger side, LL,<br>FO7 | Bal. 930, 2 flat step, 30°  |
|                   | DAA402CY121     |  |                             |
| 263               | DAA402CY22-FO7  | Handrail guide, passenger side, LL,<br>FO7 | Bal. 930, 3 flat step, 30°  |
|                   | DAA402CY122     |  |                             |
| 264               | DAA402CY23-FO7  | Handrail guide, passenger side, LL,<br>FO7 | Bal. 930, 4 flat step, 30°  |
|                   | DAA402CY123     |  |                             |
| 265               | DAA402CY24-FO7  | Handrail guide, passenger side, LL,<br>FO7 | Bal. 1000, 2 flat step, 30° |
|                   | DAA402CY124     |  |                             |
| 266               | DAA402CY25-FO7  | Handrail guide, passenger side, LL,<br>FO7 | Bal. 1000, 3 flat step, 30° |
|                   | DAA402CY125     |  |                             |
| 267               | DAA402CY26-FO7  | Handrail guide, passenger side, LL,<br>FO7 | Bal. 1000, 4 flat step, 30° |
|                   | DAA402CY126     |  |                             |

**508NCE/512NCE/515NPE-  
S/515NPE-L Escalator  
Balustrade Handrail Guide**

**Spare Parts Leaflet  
57-DAA26228AP**



**515NPE-L EN/GB/HK/SAA CODE  
INDOOR**



**LOWER LANDING = LL**

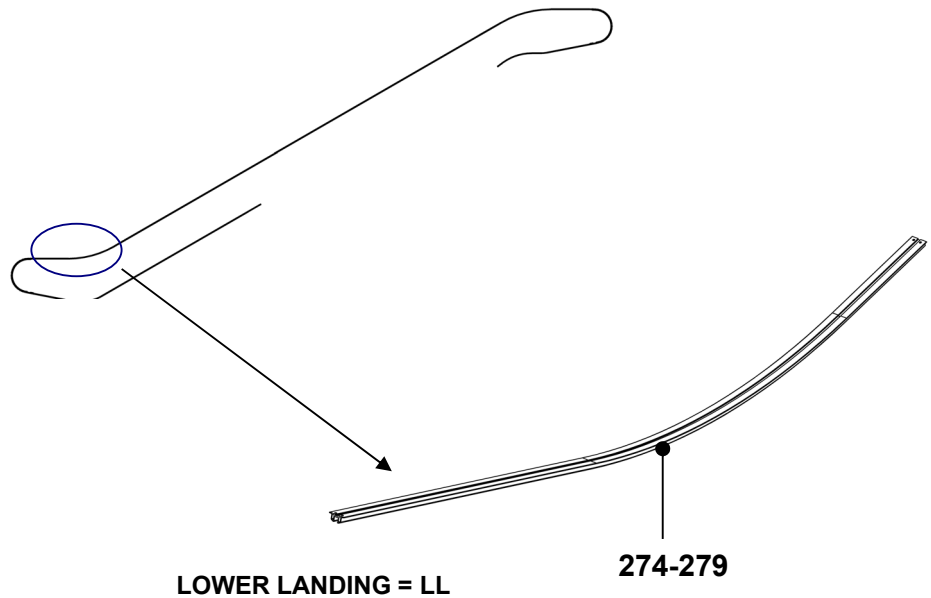
| <b>DAA26228AP</b> |                 |  |                             |
|-------------------|-----------------|--|-----------------------------|
| <b>REF. No.</b>   | <b>PART No.</b> | <b>DESCRIPTION</b>                         |                             |
| 268               | DAA402CY27-FO7  | Handrail guide, passenger side, LL,<br>FO7 | Bal. 930, 2 flat step, 35°  |
|                   | DAA402CY127     |  |                             |
| 269               | DAA402CY28-FO7  | Handrail guide, passenger side, LL,<br>FO7 | Bal. 930, 3 flat step, 35°  |
|                   | DAA402CY128     |  |                             |
| 270               | DAA402CY29-FO7  | Handrail guide, passenger side, LL,<br>FO7 | Bal. 930, 4 flat step, 35°  |
|                   | DAA402CY129     |  |                             |
| 271               | DAA402CY30-FO7  | Handrail guide, passenger side, LL,<br>FO7 | Bal. 1000, 2 flat step, 35° |
|                   | DAA402CY130     |  |                             |
| 272               | DAA402CY31-FO7  | Handrail guide, passenger side, LL,<br>FO7 | Bal. 1000, 3 flat step, 35° |
|                   | DAA402CY131     |  |                             |
| 273               | DAA402CY32-FO7  | Handrail guide, passenger side, LL,<br>FO7 | Bal. 1000, 4 flat step, 35° |
|                   | DAA402CY132     |  |                             |

**508NCE/512NCE/515NPE-  
S/515NPE-L Escalator  
Balustrade Handrail Guide**

**Spare Parts Leaflet  
57-DAA26228AP**



**515NPE-L EN/GB/HK/SAA CODE**  
SEMI-OUTDOOR / OUTDOOR



| DAA26228AP |                 |  |                             |
|------------|-----------------|--|-----------------------------|
| REF. No.   | PART No.        | DESCRIPTION                              |                             |
| 274        | DAA402CY21-FO10 | Handrail guide, passenger side, LL, FO10 | Bal. 930, 2 flat step, 30°  |
|            | DAA402CY221     |  |                             |
| 275        | DAA402CY22-FO10 | Handrail guide, passenger side, LL, FO10 | Bal. 930, 3 flat step, 30°  |
|            | DAA402CY222     |  |                             |
| 276        | DAA402CY23-FO10 | Handrail guide, passenger side, LL, FO10 | Bal. 930, 4 flat step, 30°  |
|            | DAA402CY223     |  |                             |
| 277        | DAA402CY24-FO10 | Handrail guide, passenger side, LL, FO10 | Bal. 1000, 2 flat step, 30° |
|            | DAA402CY224     |  |                             |
| 278        | DAA402CY25-FO10 | Handrail guide, passenger side, LL, FO10 | Bal. 1000, 3 flat step, 30° |
|            | DAA402CY225     |  |                             |
| 279        | DAA402CY26-FO10 | Handrail guide, passenger side, LL, FO10 | Bal. 1000, 4 flat step, 30° |
|            | DAA402CY226     |  |                             |

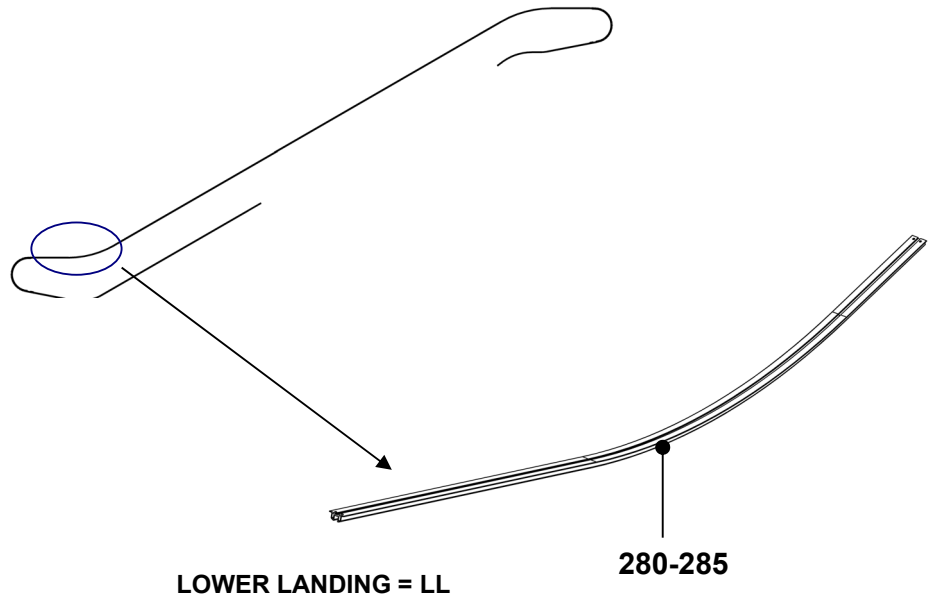


**508NCE/512NCE/515NPE-  
S/515NPE-L Escalator  
Balustrade Handrail Guide**

**Spare Parts Leaflet  
57-DAA26228AP**



**515NPE-L EN/GB/HK/SAA CODE  
SEMI-OUTDOOR / OUTDOOR**

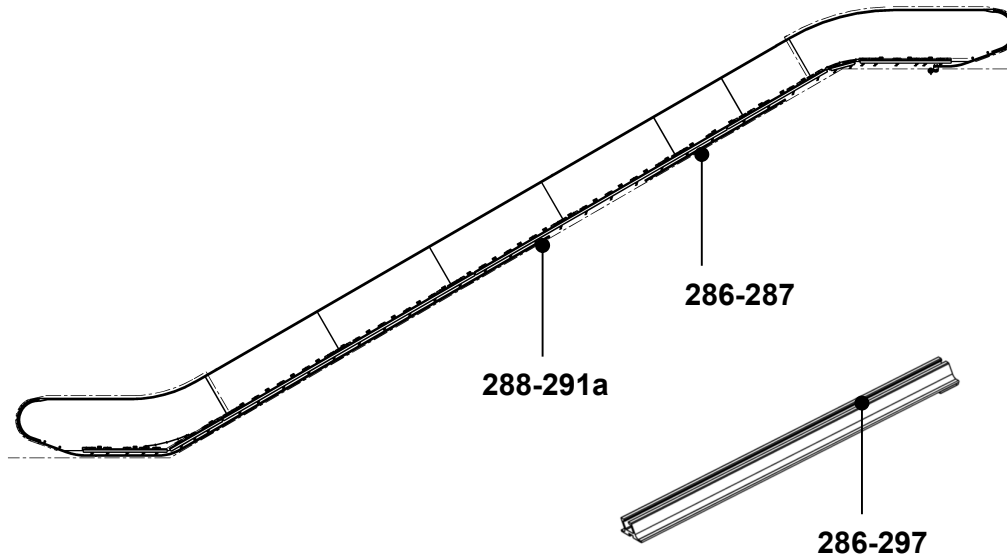


**DAA26228AP**

| REF. No. | PART No.        | DESCRIPTION                              |                             |
|----------|-----------------|--|-----------------------------|
| 280      | DAA402CY27-FO10 | Handrail guide, passenger side, LL, FO10 | Bal. 930, 2 flat step, 35°  |
|          | DAA402CY227     |  |                             |
| 281      | DAA402CY28-FO10 | Handrail guide, passenger side, LL, FO10 | Bal. 930, 3 flat step, 35°  |
|          | DAA402CY228     |  |                             |
| 282      | DAA402CY29-FO10 | Handrail guide, passenger side, LL, FO10 | Bal. 930, 4 flat step, 35°  |
|          | DAA402CY229     |  |                             |
| 283      | DAA402CY30-FO10 | Handrail guide, passenger side, LL, FO10 | Bal. 1000, 2 flat step, 35° |
|          | DAA402CY230     |  |                             |
| 284      | DAA402CY31-FO10 | Handrail guide, passenger side, LL, FO10 | Bal. 1000, 3 flat step, 35° |
|          | DAA402CY231     |  |                             |
| 285      | DAA402CY32-FO10 | Handrail guide, passenger side, LL, FO10 | Bal. 1000, 4 flat step, 35° |
|          | DAA402CY232     |  |                             |

**508NCE/512NCE/515NPE-  
S/515NPE-L Escalator  
Balustrade Handrail Guide**

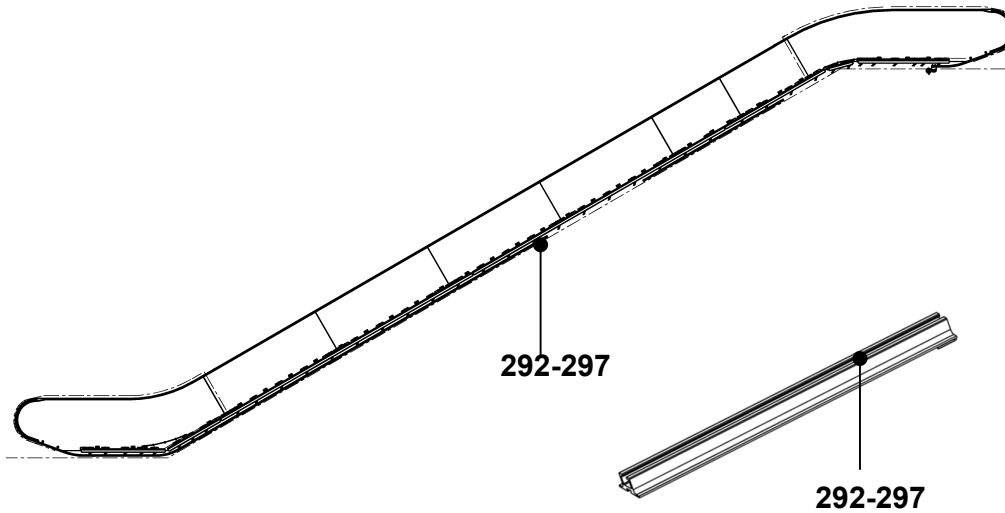
**Spare Parts Leaflet  
57-DAA26228AP**



| DAA26228AP |                              |   |                      |
|------------|------------------------------|---|----------------------|
| REF. No.   | PART No.                     | DESCRIPTION   |                      |
| 286        | DAA402DC1                    | Handrail guide, inclined section, return line indoor  | EN/GB/HK/<br>SAA/JIS |
| 287        | DAA402DC1-FO10<br>DAA402DC11 | Handrail guide, inclined section, return line semi-outdoor & outdoor, FO10                      |                      |
| 288        | DAA402DC7                    | Handrail guide, inclined section, return line indoor  | ANSI                 |
| 289        | DAA402DC7-FO10<br>DAA402DC71 | Handrail guide, inclined section, return line semi-outdoor & outdoor, FO10                      |                      |
| 290        | DAA402DC2                    | Handrail guide, inclined section, 2/1.5 flat step at upper landing                              | 508NCE               |
| 290a       | DAA402DC21                   | Handrail guide, inclined section, 2/1.5 flat step at upper landing, semi-outdoor & outdoor FO10 |                      |
| 291        | DAA402DC3                    | Handrail guide, inclined section, 3 flat step at upper landing                                  |                      |
| 291a       | DAA402DC31                   | Handrail guide, inclined section, 3 flat step at upper landing, semi-outdoor & outdoor FO10     |                      |

**508NCE/512NCE/515NPE-S/515NPE-L Escalator  
Balustrade Handrail Guide**

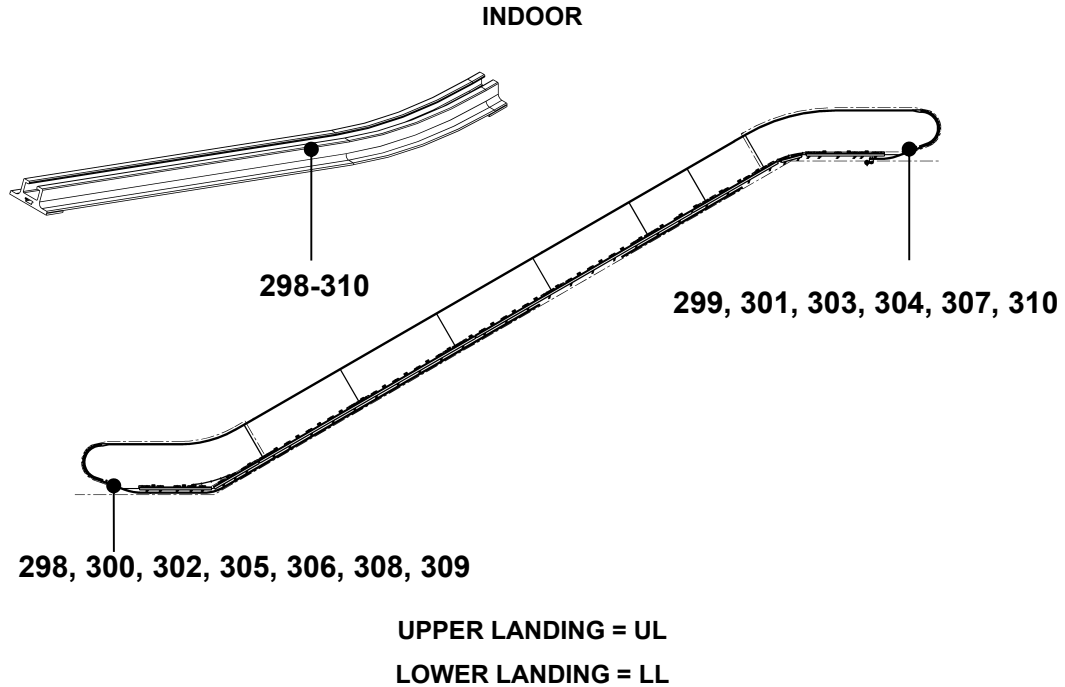
**Spare Parts Leaflet  
57-DAA26228AP**



| DAA26228AP |             |   |          |
|------------|-------------|---|----------|
| REF. No.   | PART No.    | DESCRIPTION   |          |
| 292        | DAA402DC4   | Handrail guide, inclined section, 2 flat step at upper landing                              | 515NPE-L |
| 292a       | DAA402DC41  | Handrail guide, inclined section, 2 flat step at upper landing, semi-outdoor & outdoor FO10 |          |
| 293        | DAA402DC5   | Handrail guide, inclined section, 3 flat step at upper landing                              |          |
| 293a       | DAA402DC51  | Handrail guide, inclined section, 3 flat step at upper landing, semi-outdoor & outdoor FO10 |          |
| 294        | DAA402DC6   | Handrail guide, inclined section, 4 flat step at upper landing                              |          |
| 294a       | DAA402DC61  | Handrail guide, inclined section, 4 flat step at upper landing, semi-outdoor & outdoor FO10 |          |
| 295        | DAA402DC8   | Handrail guide, inclined section, 2 flat step at upper landing                              | 515NPE-S |
| 295a       | DAA402DC81  | Handrail guide, inclined section, 2 flat step at upper landing, semi-outdoor & outdoor FO10 |          |
| 296        | DAA402DC9   | Handrail guide, inclined section, 3 flat step at upper landing                              |          |
| 296a       | DAA402DC91  | Handrail guide, inclined section, 3 flat step at upper landing, semi-outdoor & outdoor FO10 |          |
| 297        | DAA402DC10  | Handrail guide, inclined section, 4 flat step at upper landing                              |          |
| 297a       | DAA402DC101 | Handrail guide, inclined section, 4 flat step at upper landing, semi-outdoor & outdoor FO10 |          |

**508NCE/512NCE/515NPE-S/515NPE-L Escalator Balustrade Handrail Guide**

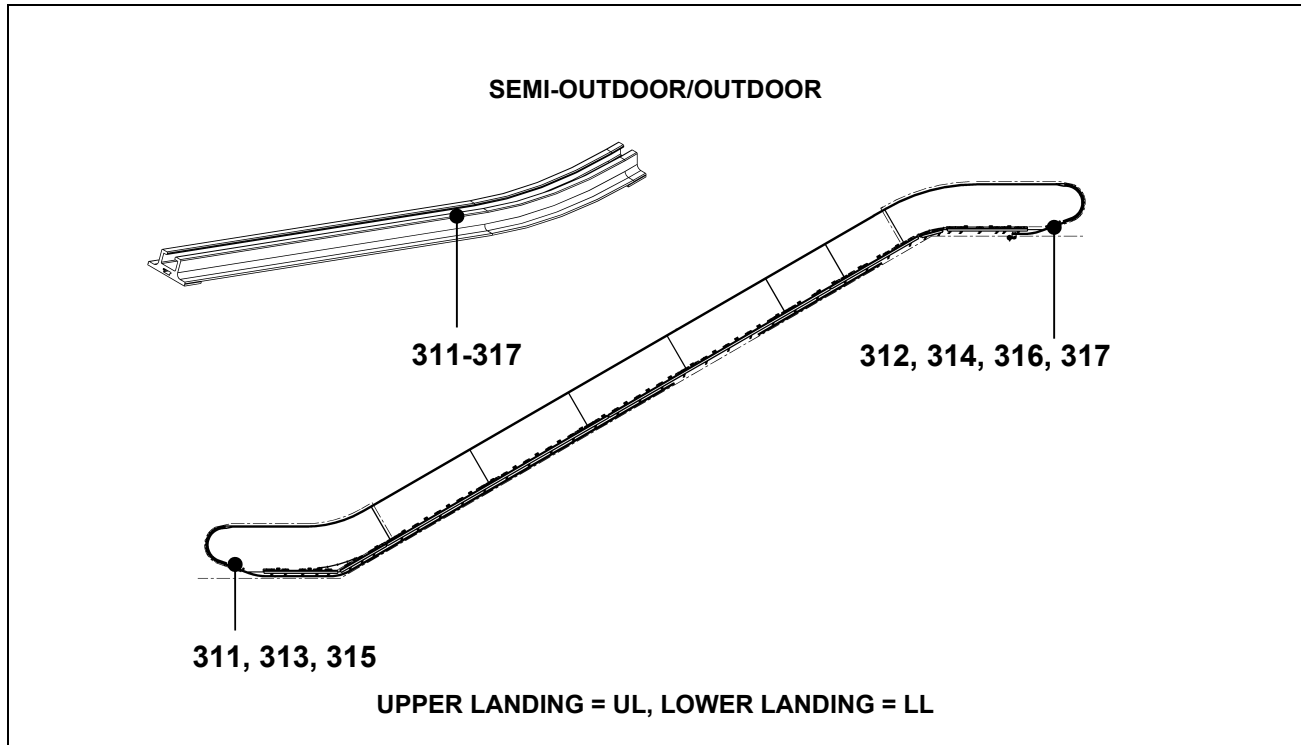
**Spare Parts Leaflet  
57-DAA26228AP**



| DAA26228AP |            |  |          |
|------------|------------|--|----------|
| REF. No.   | PART No.   | DESCRIPTION  |          |
| 298        | DAA402CZ1  | Transition piece, return line, LL, 2/3 flat step, EN/GB/HK/SAA, 1.4/3 flat step, JIS, 35°; 3 flat step, JIS, 30° | 508NCE   |
| 299        | DAA402CZ2  | Transition piece, return line, UL, 2/3 flat step, EN/GB/HK/SAA; 1.5/3 flat step, JIS, 35°                        |          |
| 300        | DAA402CZ3  | Transition piece, return line, LL, 2/3/4 flat step, EN115/HK/SAA   | 515NPE-S |
| 301        | DAA402CZ4  | Transition piece, return line, UL, 2/3/4 flat step, EN115/HK/SAA   | 515NPE-L |
| 302        | DAA402CZ11 | Transition piece, return line, LL, 1.4 flat step, JIS, 30°   | 508NCE   |
| 303        | DAA402CZ12 | Transition piece, return line, UL, 1.5 flat step, JIS, 30°   |          |
| 304        | DAA402CZ13 | Transition piece, return line, UL, 3 flat step, JIS, 30°   |          |
| 305        | DAA402CZ21 | Transition piece, return line, LL, 2 flat step, ANSI   | 508NCE   |
| 306        | DAA402CZ22 | Transition piece, return line, LL, 3 flat step, ANSI   |          |
| 307        | DAA402CZ23 | Transition piece, return line, UL, 2/3 flat step, ANSI   |          |
| 308        | DAA402CZ31 | Transition piece, return line, LL, 2 flat step, ANSI   | 512NCE   |
| 309        | DAA402CZ32 | Transition piece, return line, LL, 3 flat step, ANSI   |          |
| 310        | DAA402CZ33 | Transition piece, return line, UL, 2/3 flat step, ANSI   |          |

**508NCE/512NCE/515NPE-S/515NPE-L Escalator Balustrade Handrail Guide**

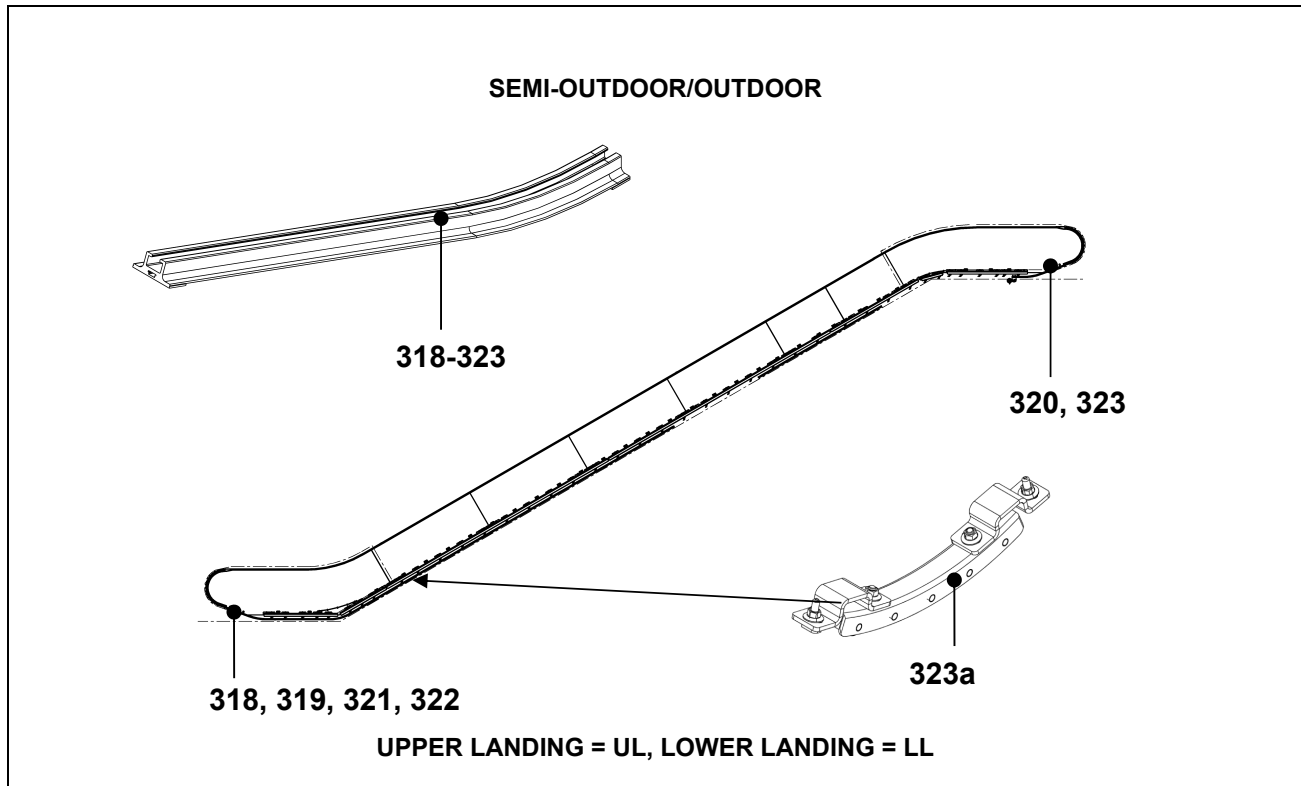
**Spare Parts Leaflet  
57-DAA26228AP**



| DAA26228AP |                 |  |        |          |
|------------|-----------------|--|--------|----------|
| REF. No.   | PART No.        | DESCRIPTION  |        |          |
| 311        | DAA402CZ1-FO10  | Transition piece, return line, LL, 2/3 flat step, EN/GB/HK/SAA, 1.4/3 flat step, JIS, 35°; 3 flat step, JIS, 30°, FO10 | 508NCE |          |
|            | DAA402CZ51      |  |        |          |
| 312        | DAA402CZ2-FO10  | Transition piece, return line, UL, 2/3 flat step, EN/GB/HK/SAA; 1.5/3 flat step, JIS, 35°, FO10                        |        |          |
|            | DAA402CZ52      |  |        |          |
| 313        | DAA402CZ3-FO10  | Transition piece, return line, LL, 2/3/4 flat step, EN/GB/HK/SAA, FO10   |        | 515NPE-S |
|            | DAA402CZ53      |  |        |          |
| 314        | DAA402CZ4-FO10  | Transition piece, return line, UL, 2/3/4 flat step, EN/GB/HK/SAA, FO10   |        | 515NPE-L |
|            | DAA402CZ54      |  |        |          |
| 315        | DAA402CZ11-FO10 | Transition piece, return line, LL, 1.4 flat step, JIS, 30°, FO10   | 508NCE |          |
|            | DAA402CZ61      |  |        |          |
| 316        | DAA402CZ12-FO10 | Transition piece, return line, UL, 1.5 flat step, JIS, 30°, FO10   |        |          |
|            | DAA402CZ62      |  |        |          |
| 317        | DAA402CZ13-FO10 | Transition piece, return line, UL, 3 flat step, JIS, 30°, FO10   |        |          |
|            | DAA402CZ63      |  |        |          |

**508NCE/512NCE/515NPE-  
S/515NPE-L Escalator  
Balustrade Handrail Guide**

**Spare Parts Leaflet  
57-DAA26228AP**



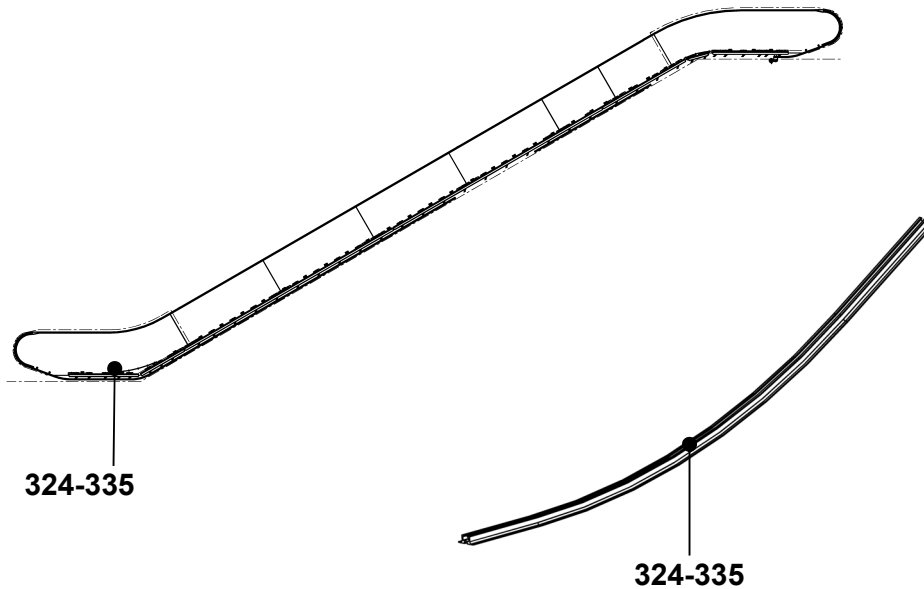
| DAA26228AP |                 |  |        |
|------------|-----------------|--|--------|
| REF. No.   | PART No.        | DESCRIPTION  |        |
| 318        | DAA402CZ21-FO10 | Transition piece, return line, LL, 2 flat step, ANSI, FO10   | 508NCE |
|            | DAA402CZ71      |  |        |
| 319        | DAA402CZ22-FO10 | Transition piece, return line, LL, 3 flat step, ANSI, FO10   |        |
|            | DAA402CZ72      |  |        |
| 320        | DAA402CZ23-FO10 | Transition piece, return line, UL, 2/3 flat step, ANSI, FO10 |        |
|            | DAA402CZ73      |  |        |
| 321        | DAA402CZ31-FO10 | Transition piece, return line, LL, 2 flat step, ANSI, FO10   | 512NCE |
|            | DAA402CZ81      |  |        |
| 322        | DAA402CZ32-FO10 | Transition piece, return line, LL, 3 flat step, ANSI, FO10   |        |
|            | DAA402CZ82      |  |        |
| 323        | DAA402CZ33-FO10 | Transition piece, return line, UL, 2/3 flat step, ANSI, FO10 |        |
|            | DAA402CZ83      |  |        |
| 323a       | DAA471AJ1       | Stand, return line, LL, ANSI                                 |        |

**508NCE/512NCE/515NPE-  
S/515NPE-L Escalator  
Balustrade Handrail Guide**

**Spare Parts Leaflet  
57-DAA26228AP**

**508NCE EN/GB/HK/SAA/JIS CODE**

**INDOOR**



**LOWER LANDING = LL**

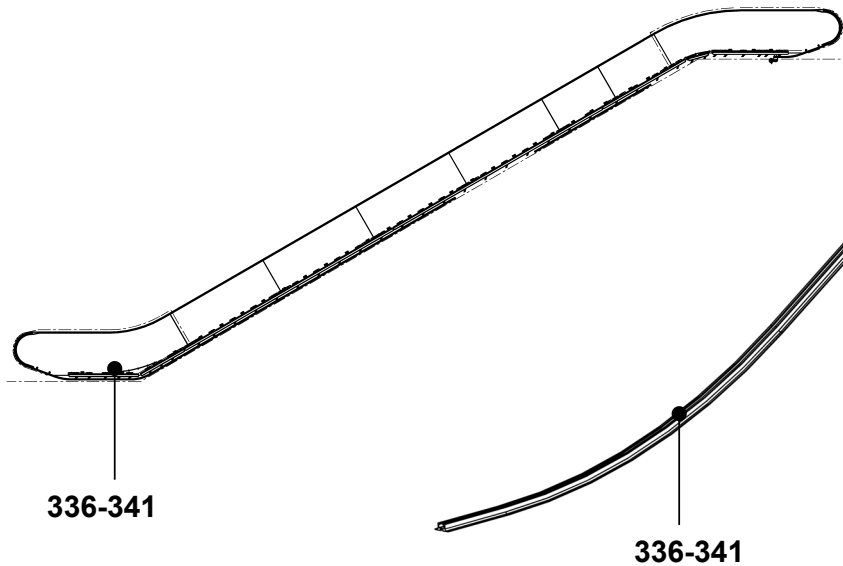
**DAA26228AP**

| <b>REF. No.</b> | <b>PART No.</b> | <b>DESCRIPTION</b>   |
|-----------------|-----------------|--|
| 324             | DAA402CW1       | Handrail guide return side, LL, 2 flat steps, BAL. 930, 30°, EN/GB/HK/SAA  |
| 325             | DAA402CW2       | Handrail guide return side, LL, 3 flat steps, BAL. 930, 30°, EN/GB/HK/SAA  |
| 326             | DAA402CW3       | Handrail guide return side, LL, 2 flat steps, BAL. 1000, 30°, EN/GB/HK/SAA |
| 327             | DAA402CW4       | Handrail guide return side, LL, 3 flat steps, BAL. 1000, 30°, EN/GB/HK/SAA |
| 328             | DAA402CW5       | Handrail guide return side, LL, 2 flat steps, BAL. 930, 35°, EN/GB/HK/SAA  |
| 329             | DAA402CW6       | Handrail guide return side, LL, 3 flat steps, BAL. 930, 35°, EN/GB/HK/SAA  |
| 330             | DAA402CW7       | Handrail guide return side, LL, 2 flat steps, BAL. 1000, 35°, EN/GB/HK/SAA |
| 331             | DAA402CW8       | Handrail guide return side, LL, 3 flat steps, BAL. 1000, 35°, EN/GB/HK/SAA |
| 332             | DAA402CW9       | Handrail guide return side, LL, 1.5 flat steps, BAL. 930, 30°, JIS CODE    |
| 333             | DAA402CW10      | Handrail guide return side, LL, 1.5 flat steps, BAL. 1000, 30°, JIS CODE   |
| 334             | DAA402CW11      | Handrail guide return side, LL, 3 flat steps, BAL. 930, 30°, JIS CODE      |
| 335             | DAA402CW12      | Handrail guide return side, LL, 3 flat steps, BAL. 1000, 30°, JIS CODE     |

**508NCE/512NCE/515NPE-  
S/515NPE-L Escalator  
Balustrade Handrail Guide**

**Spare Parts Leaflet  
57-DAA26228AP**

**508NCE EN/GB/HK/SAA CODE  
SEMI-OUTDOOR / OUTDOOR**



**LOWER LANDING = LL**

**DAA26228AP**

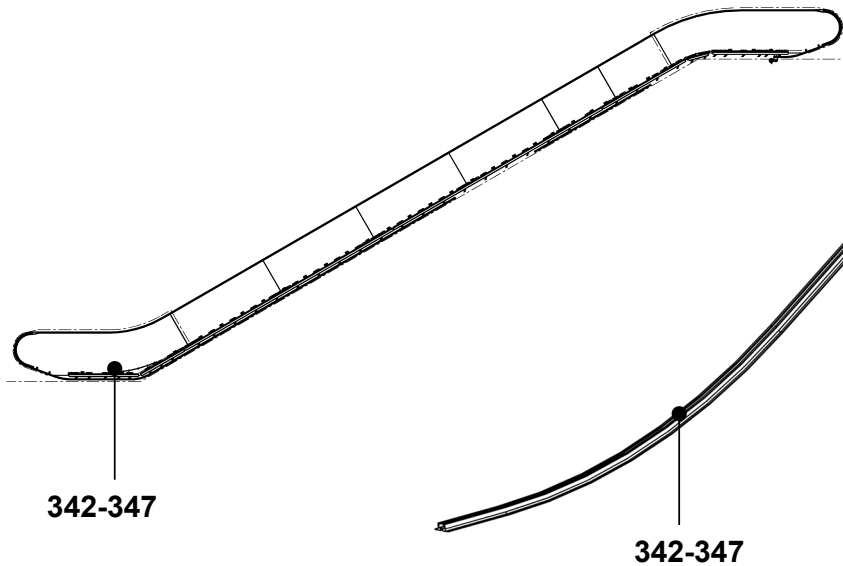
| <b>REF. No.</b> | <b>PART No.</b> | <b>DESCRIPTION</b>   |
|-----------------|-----------------|--|
| 336             | DAA402CW1-FO10  | Handrail guide return side, LL, 2 flat steps, BAL. 930, 30°, EN/GB/HK/SAA, FO10  |
|                 | DAA402CW101     |  |
| 337             | DAA402CW2-FO10  | Handrail guide return side, LL, 3 flat steps, BAL. 930, 30°, EN/GB/HK/SAA, FO10  |
|                 | DAA402CW201     |  |
| 338             | DAA402CW3-FO10  | Handrail guide return side, LL, 2 flat steps, BAL. 1000, 30°, EN/GB/HK/SAA, FO10 |
|                 | DAA402CW301     |  |
| 339             | DAA402CW4-FO10  | Handrail guide return side, LL, 3 flat steps, BAL. 1000, 30°, EN/GB/HK/SAA, FO10 |
|                 | DAA402CW401     |  |
| 340             | DAA402CW5-FO10  | Handrail guide return side, LL, 2 flat steps, BAL. 930, 35°, EN/GB/HK/SAA, FO10  |
|                 | DAA402CW501     |  |
| 341             | DAA402CW6-FO10  | Handrail guide return side, LL, 3 flat steps, BAL. 930, 35°, EN/GB/HK/SAA, FO10  |
|                 | DAA402CW601     |  |



**508NCE/512NCE/515NPE-  
S/515NPE-L Escalator  
Balustrade Handrail Guide**

**Spare Parts Leaflet  
57-DAA26228AP**

**508NCE EN/GB/HK/SAA/JIS CODE  
SEMI-OUTDOOR / OUTDOOR**



**LOWER LANDING = LL**

**DAA26228AP**

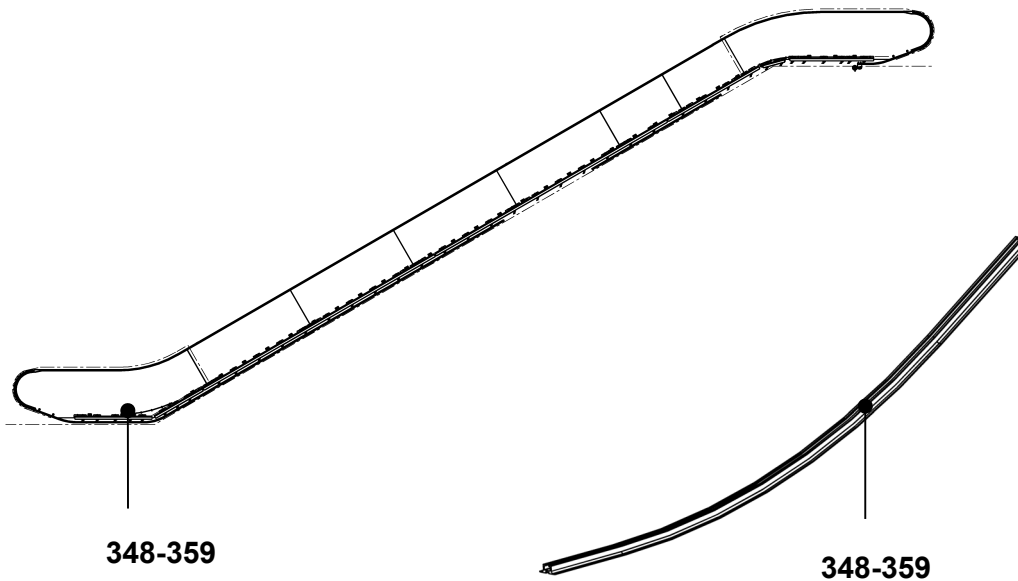
| <b>REF. No.</b> | <b>PART No.</b> | <b>DESCRIPTION</b>   |          |
|-----------------|-----------------|--|----------|
| 342             | DAA402CW7-FO10  | Handrail guide return side, LL, 2 flat steps, BAL. 1000, 35°, EN/GB/HK/SAA, FO10 | JIS CODE |
|                 | DAA402CW701     |  |          |
| 343             | DAA402CW8-FO10  | Handrail guide return side, LL, 3 flat steps, BAL. 1000, 35°, EN/GB/HK/SAA, FO10 |          |
|                 | DAA402CW801     |  |          |
| 344             | DAA402CW9-FO10  | Handrail guide return side, LL, 1.5 flat steps, BAL. 930, 30° , FO10             |          |
|                 | DAA402CW901     |  |          |
| 345             | DAA402CW10-FO10 | Handrail guide return side, LL, 1.5 flat steps, BAL. 1000, 30° , FO10            |          |
|                 | DAA402CW1001    |  |          |
| 346             | DAA402CW11-FO10 | Handrail guide return side, LL, 3 flat steps, BAL. 930, 30° , FO10               |          |
|                 | DAA402CW1101    |  |          |
| 347             | DAA402CW12-FO10 | Handrail guide return side, LL, 3 flat steps, BAL. 1000, 30° , FO10              |          |
|                 | DAA402CW1201    |  |          |

**508NCE/512NCE/515NPE-S/515NPE-L Escalator Balustrade Handrail Guide**

**Spare Parts Leaflet  
57-DAA26228AP**

**515NPE-S EN/GB/HK/SAA/JIS CODE**

**INDOOR**



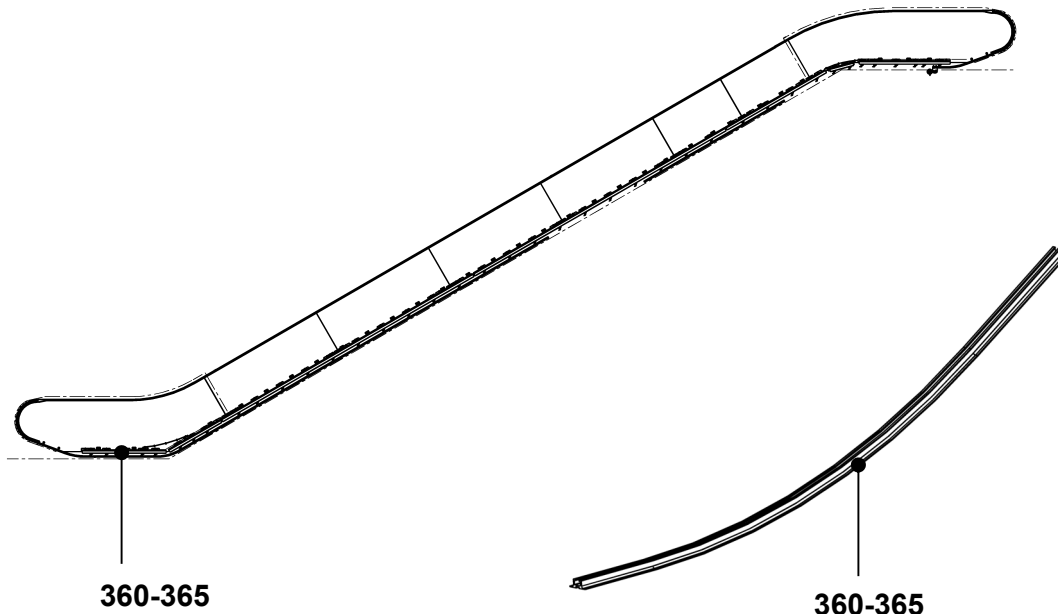
**LOWER LANDING = LL**

| <b>DAA26228AP</b> |                 |   |     |
|-------------------|-----------------|---|-----|
| <b>REF. No.</b>   | <b>PART No.</b> | <b>DESCRIPTION</b>                                      |     |
| 348               | DAA402CW33      | Handrail guide return side, LL, 2 flat steps, BAL. 930  | 30° |
| 349               | DAA402CW34      | Handrail guide return side, LL, 3 flat steps, BAL. 930  |     |
| 350               | DAA402CW35      | Handrail guide return side, LL, 4 flat steps, BAL. 930  |     |
| 351               | DAA402CW36      | Handrail guide return side, LL, 2 flat steps, BAL. 1000 |     |
| 352               | DAA402CW37      | Handrail guide return side, LL, 3 flat steps, BAL. 1000 |     |
| 353               | DAA402CW38      | Handrail guide return side, LL, 4 flat steps, BAL. 1000 |     |
| 354               | DAA402CW39      | Handrail guide return side, LL, 2 flat steps, BAL. 930  | 35° |
| 355               | DAA402CW40      | Handrail guide return side, LL, 3 flat steps, BAL. 930  |     |
| 356               | DAA402CW41      | Handrail guide return side, LL, 4 flat steps, BAL. 930  |     |
| 357               | DAA402CW42      | Handrail guide return side, LL, 2 flat steps, BAL. 1000 |     |
| 358               | DAA402CW43      | Handrail guide return side, LL, 3 flat steps, BAL. 1000 |     |
| 359               | DAA402CW44      | Handrail guide return side, LL, 4 flat steps, BAL. 1000 |     |

**508NCE/512NCE/515NPE-S/515NPE-L Escalator Balustrade Handrail Guide**

**Spare Parts Leaflet  
57-DAA26228AP**

**515NPE-S EN/GB/HK/SAA/JIS CODE  
SEMI-OUTDOOR / OUTDOOR**



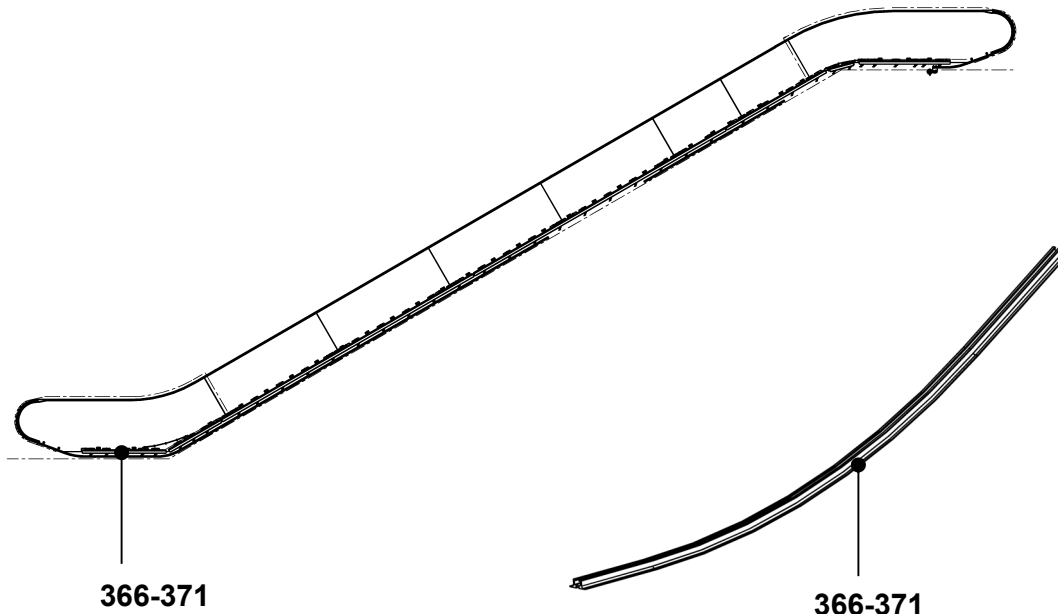
**LOWER LANDING = LL**

| <b>DAA26228AP</b> |                 |   |     |
|-------------------|-----------------|---|-----|
| <b>REF. No.</b>   | <b>PART No.</b> | <b>DESCRIPTION</b>  |     |
| 360               | DAA402CW33-FO10 | Handrail guide return side, LL, 2 flat steps, BAL. 930, FO10  | 30° |
|                   | DAA402CW3301    |   |     |
| 361               | DAA402CW34-FO10 | Handrail guide return side, LL, 3 flat steps, BAL. 930, FO10  |     |
|                   | DAA402CW3401    |   |     |
| 362               | DAA402CW35-FO10 | Handrail guide return side, LL, 4 flat steps, BAL. 930, FO10  |     |
|                   | DAA402CW3501    |   |     |
| 363               | DAA402CW36-FO10 | Handrail guide return side, LL, 2 flat steps, BAL. 1000, FO10 |     |
|                   | DAA402CW3601    |   |     |
| 364               | DAA402CW37-FO10 | Handrail guide return side, LL, 3 flat steps, BAL. 1000, FO10 |     |
|                   | DAA402CW3701    |   |     |
| 365               | DAA402CW38-FO10 | Handrail guide return side, LL, 4 flat steps, BAL. 1000, FO10 |     |
|                   | DAA402CW3801    |   |     |

**508NCE/512NCE/515NPE-S/515NPE-L Escalator Balustrade Handrail Guide**

**Spare Parts Leaflet  
57-DAA26228AP**

515NPE-S EN/GB/HK/SAA/JIS CODE  
SEMI-OUTDOOR / OUTDOOR



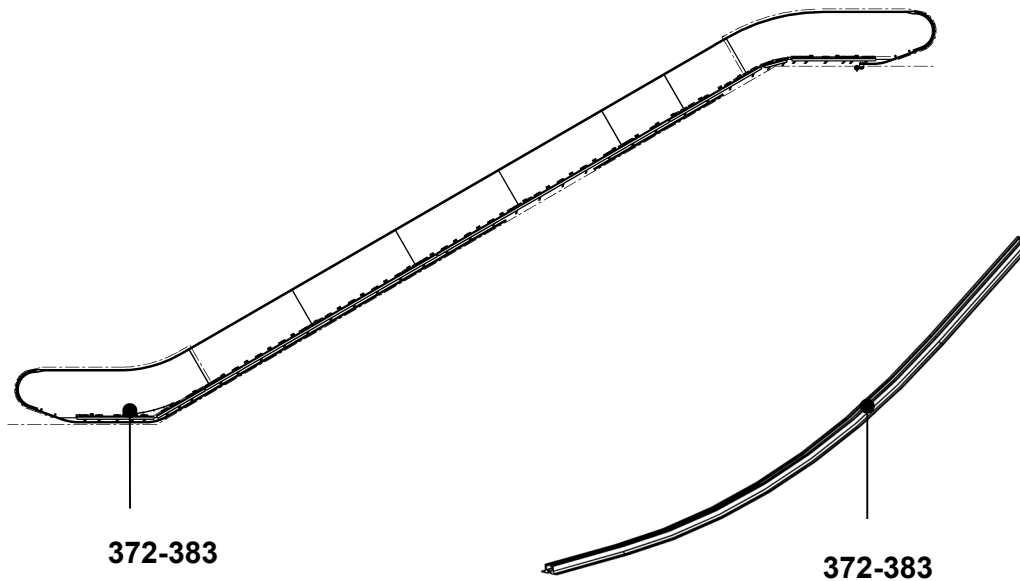
LOWER LANDING = LL

| DAA26228AP |                 |   |     |
|------------|-----------------|---|-----|
| REF. No.   | PART No.        | DESCRIPTION   |     |
| 366        | DAA402CW39 FO10 | Handrail guide return side, LL, 2 flat steps, BAL. 930, FO10  | 35° |
|            | DAA402CW3901    |   |     |
| 367        | DAA402CW40 FO10 | Handrail guide return side, LL, 3 flat steps, BAL. 930, FO10  |     |
|            | DAA402CW4001    |   |     |
| 368        | DAA402CW41 FO10 | Handrail guide return side, LL, 4 flat steps, BAL. 930, FO10  |     |
|            | DAA402CW4101    |   |     |
| 369        | DAA402CW42 FO10 | Handrail guide return side, LL, 2 flat steps, BAL. 1000, FO10 |     |
|            | DAA402CW4201    |   |     |
| 370        | DAA402CW43 FO10 | Handrail guide return side, LL, 3 flat steps, BAL. 1000, FO10 |     |
|            | DAA402CW4301    |   |     |
| 371        | DAA402CW44 FO10 | Handrail guide return side, LL, 4 flat steps, BAL. 1000, FO10 |     |
|            | DAA402CW4401    |   |     |

**508NCE/512NCE/515NPE-S/515NPE-L Escalator Balustrade Handrail Guide**

**Spare Parts Leaflet  
57-DAA26228AP**

**515NPE-L EN/GB/HK/SAA CODE  
INDOOR**



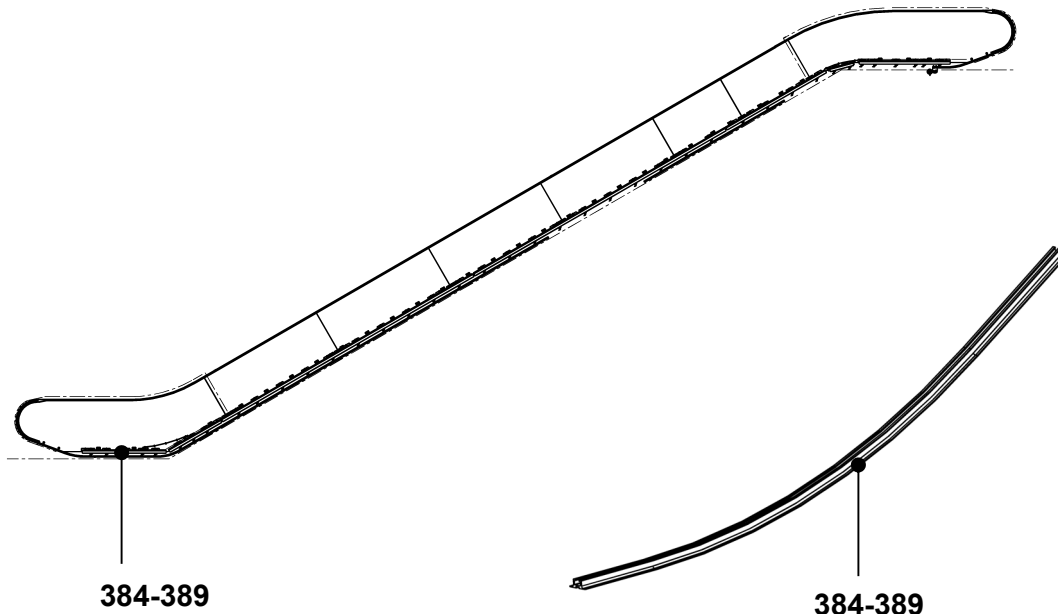
**LOWER LANDING = LL**

| <b>DAA26228AP</b> |                 |   |     |
|-------------------|-----------------|---|-----|
| <b>REF. No.</b>   | <b>PART No.</b> | <b>DESCRIPTION</b>                                      |     |
| 372               | DAA402CW21      | Handrail guide return side, LL, 2 flat steps, BAL. 930  | 30° |
| 373               | DAA402CW22      | Handrail guide return side, LL, 3 flat steps, BAL. 930  |     |
| 374               | DAA402CW23      | Handrail guide return side, LL, 4 flat steps, BAL. 930  |     |
| 375               | DAA402CW24      | Handrail guide return side, LL, 2 flat steps, BAL. 1000 |     |
| 376               | DAA402CW25      | Handrail guide return side, LL, 3 flat steps, BAL. 1000 |     |
| 377               | DAA402CW26      | Handrail guide return side, LL, 4 flat steps, BAL. 1000 |     |
| 378               | DAA402CW27      | Handrail guide return side, LL, 2 flat steps, BAL. 930  | 35° |
| 379               | DAA402CW28      | Handrail guide return side, LL, 3 flat steps, BAL. 930  |     |
| 380               | DAA402CW29      | Handrail guide return side, LL, 4 flat steps, BAL. 930  |     |
| 381               | DAA402CW30      | Handrail guide return side, LL, 2 flat steps, BAL. 1000 |     |
| 382               | DAA402CW31      | Handrail guide return side, LL, 3 flat steps, BAL. 1000 |     |
| 383               | DAA402CW32      | Handrail guide return side, LL, 4 flat steps, BAL. 1000 |     |

**508NCE/512NCE/515NPE-S/515NPE-L Escalator Balustrade Handrail Guide**

**Spare Parts Leaflet  
57-DAA26228AP**

515NPE-L EN/GB/HK/SAA CODE  
SEMI-OUTDOOR / OUTDOOR



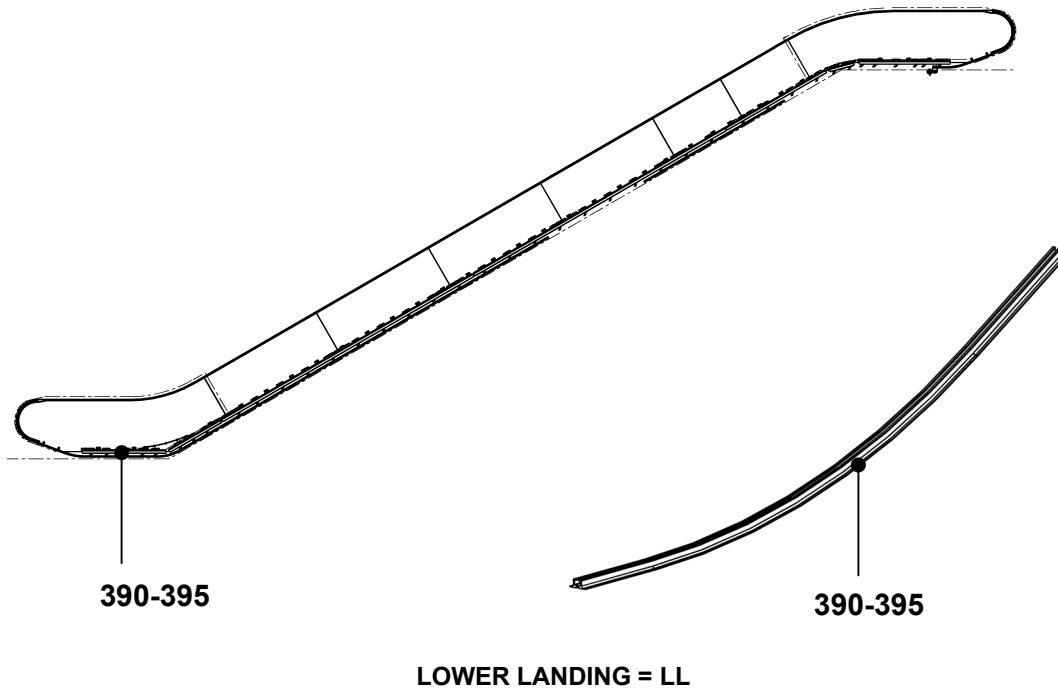
LOWER LANDING = LL

| DAA26228AP |                 |   |     |
|------------|-----------------|---|-----|
| REF. No.   | PART No.        | DESCRIPTION   |     |
| 384        | DAA402CW21 FO10 | Handrail guide return side, LL, 2 flat steps, BAL. 930, FO10  | 30° |
|            | DAA402CW2101    |   |     |
| 385        | DAA402CW22 FO10 | Handrail guide return side, LL, 3 flat steps, BAL. 930, FO10  |     |
|            | DAA402CW2201    |   |     |
| 386        | DAA402CW23 FO10 | Handrail guide return side, LL, 4 flat steps, BAL. 930, FO10  |     |
|            | DAA402CW2301    |   |     |
| 387        | DAA402CW24 FO10 | Handrail guide return side, LL, 2 flat steps, BAL. 1000, FO10 |     |
|            | DAA402CW2401    |   |     |
| 388        | DAA402CW25 FO10 | Handrail guide return side, LL, 3 flat steps, BAL. 1000, FO10 |     |
|            | DAA402CW2501    |   |     |
| 389        | DAA402CW26 FO10 | Handrail guide return side, LL, 4 flat steps, BAL. 1000, FO10 |     |
|            | DAA402CW2601    |   |     |

**508NCE/512NCE/515NPE-S/515NPE-L Escalator Balustrade Handrail Guide**

**Spare Parts Leaflet  
57-DAA26228AP**

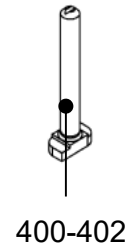
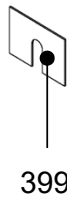
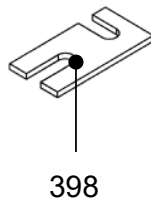
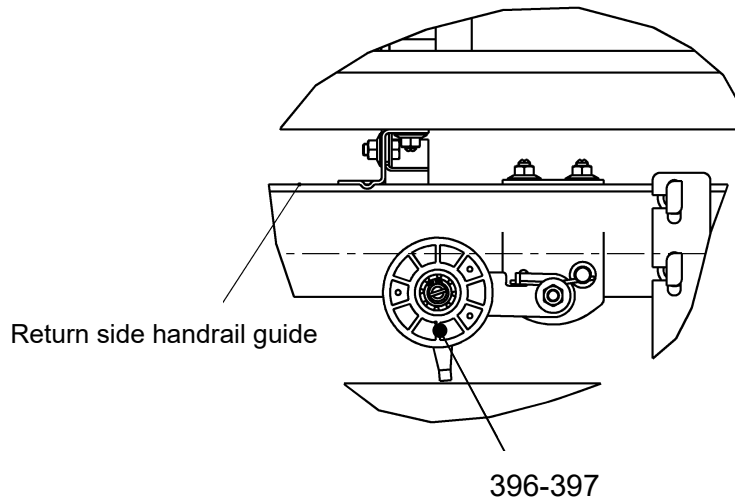
**515NPE-L EN/GB/HK/SAA CODE  
SEMI-OUTDOOR / OUTDOOR**



| <b>DAA26228AP</b> |                 |   |     |
|-------------------|-----------------|---|-----|
| <b>REF. No.</b>   | <b>PART No.</b> | <b>DESCRIPTION</b>  |     |
| 390               | DAA402CW27-FO10 | Handrail guide return side, LL, 2 flat steps, BAL. 930, FO10  | 35° |
|                   | DAA402CW2701    |   |     |
| 391               | DAA402CW28-FO10 | Handrail guide return side, LL, 3 flat steps, BAL. 930, FO10  |     |
|                   | DAA402CW2801    |   |     |
| 392               | DAA402CW29-FO10 | Handrail guide return side, LL, 4 flat steps, BAL. 930, FO10  |     |
|                   | DAA402CW2901    |   |     |
| 393               | DAA402CW30-FO10 | Handrail guide return side, LL, 2 flat steps, BAL. 1000, FO10 |     |
|                   | DAA402CW3001    |   |     |
| 394               | DAA402CW31-FO10 | Handrail guide return side, LL, 3 flat steps, BAL. 1000, FO10 |     |
|                   | DAA402CW3101    |   |     |
| 395               | DAA402CW32-FO10 | Handrail guide return side, LL, 4 flat steps, BAL. 1000, FO10 |     |
|                   | DAA402CW3201    |   |     |

**508NCE/512NCE/515NPE-  
S/515NPE-L Escalator  
Balustrade Handrail Guide**

**Spare Parts Leaflet  
57-DAA26228AP**

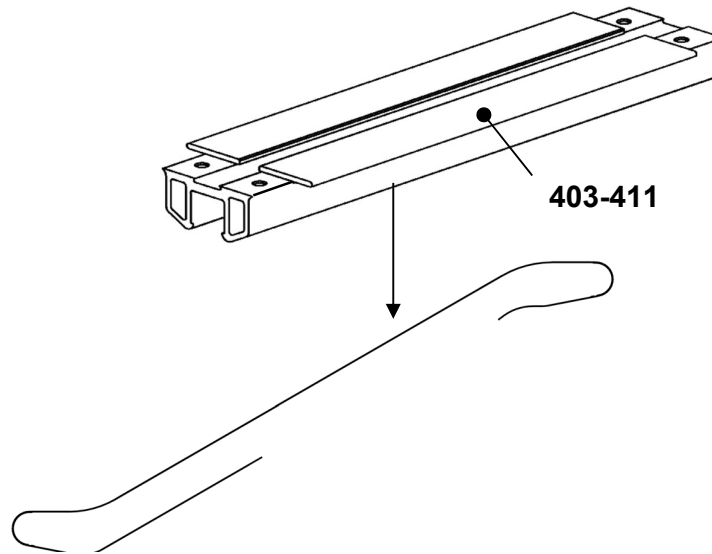


| DAA26228AP |             |   |
|------------|-------------|---|
| REF. No.   | PART No.    | DESCRIPTION                                     |
| 396        | DAA26220AM1 | Handrail speed monitoring device, UL left side  |
| 397        | DAA26220AM2 | Handrail speed monitoring device, UL right side |
| 398        | GAA180BDB1  | Holder  |
| 399        | GO255BP12   | Shim, upper landing                             |
| 400        | GAA65DP30   | T-head screw                                    |
| 401        | GAA65DP31   | T-head screw, upper landing                     |
| 402        | GAA65DP36   | T-head screw, upper landing                     |



**508NCE/512NCE/515NPE-  
S/515NPE-L Escalator  
Balustrade Handrail Guide**

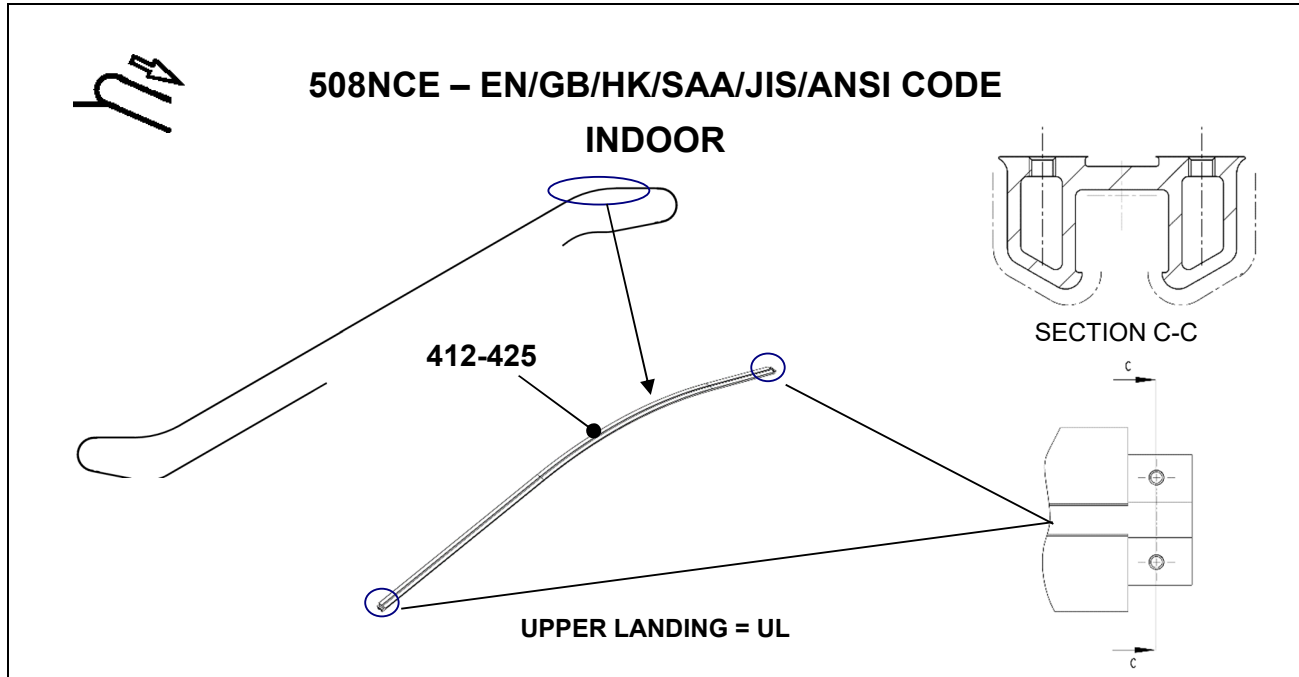
**Spare Parts Leaflet  
57-DAA26228AP**



| <b>DAA26228AP</b> |                 |  |
|-------------------|-----------------|--|
| <b>REF. No.</b>   | <b>PART No.</b> | <b>DESCRIPTION</b>   |
| 403               | DAA402ZQ1       | Handrail guide, passenger side, inclined section, L = 6000 mm, indoor                      |
| 404               | DAA402ZQ11      | Handrail guide, passenger side, inclined section, L = 6000 mm, FO7, indoor                 |
| 405               | DAA402ZQ12      | Handrail guide, passenger side, inclined section, L = 6000 mm, FO10 , semi-outdoor/outdoor |
| 406               | DAA402ZQ-V1     | Handrail guide, passenger side, inclined section, Length per spec., indoor                 |
| 407               | DAA402ZQ-V2     | Handrail guide, passenger side, inclined section, Length per spec., indoor                 |
| 408               | DAA402ZQ-V11    | Handrail guide, passenger side, inclined section, L per spec., FO7, indoor                 |
| 409               | DAA402ZQ-V12    | Handrail guide, passenger side, inclined section, L per spec. FO10, semi-outdoor/outdoor   |
| 410               | DAA402ZQ-V21    | Handrail passenger side, inclined section, L per spec., FO7, indoor guide,                 |
| 411               | DAA402ZQ-V22    | Handrail guide, passenger side, inclined section, L per spec. FO10, semi-outdoor/outdoor   |

**508NCE/512NCE/515NPE-  
S/515NPE-L Escalator  
Balustrade Handrail Guide**

**Spare Parts Leaflet  
57-DAA26228AP**



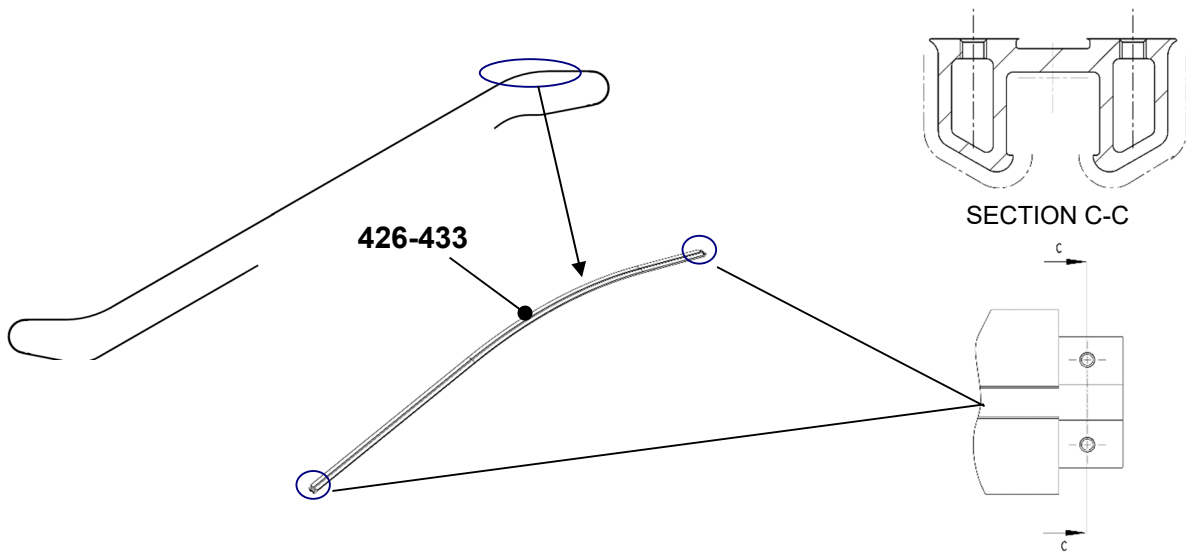
| DAA26228AP |            |                                    |   |
|------------|------------|------------------------------------|---|
| REF. No.   | PART No.   | DESCRIPTION                        |   |
| 412        | DAA402ZK1  | Handrail guide, passenger side, UL | Bal. 930, 2 flat step, 30°, EN/GB /HK/SAA                       |
| 413        | DAA402ZK2  | Handrail guide, passenger side, UL | Bal. 930, 3 flat step, 30°, EN/GB /HK/SAA                       |
| 414        | DAA402ZK3  | Handrail guide, passenger side, UL | Bal. 1000, 2 flat step, 30°, EN/GB /HK/SAA                      |
| 415        | DAA402ZK4  | Handrail guide, passenger side, UL | Bal. 1000, 3 flat step, 30°, EN/GB /HK/SAA                      |
| 416        | DAA402ZK5  | Handrail guide, passenger side, UL | Bal. 930, 35°, 2 flat step, EN/GB/HK/SAA,<br>1.5 flat step, JIS |
| 417        | DAA402ZK6  | Handrail guide, passenger side, UL | Bal. 930, 3 flat step, 35°, EN/GB/HK/SAA/JIS                    |
| 418        | DAA402ZK7  | Handrail guide, passenger side, UL | Bal. 1000, 35°, 2 flat step, EN/GB/HK/SAA<br>1.5 flat step, JIS |
| 419        | DAA402ZK8  | Handrail guide, passenger side, UL | Bal. 1000, 3 flat step, 35°, EN/GB/HK/SAA/JIS                   |
| 420        | DAA402ZK9  | Handrail guide, passenger side, UL | Bal. 930, 1.5 flat step, 30°, JIS                               |
| 421        | DAA402ZK33 | Handrail guide, passenger side, UL | Bal. 930, 3 flat step, 30°, JIS                                 |
| 422        | DAA402ZK10 | Handrail guide, passenger side, UL | Bal. 1000, 1.5 flat step, 30°, JIS                              |
| 423        | DAA402ZK34 | Handrail guide, passenger side, UL | Bal. 1000, 3 flat step, 30°, JIS                                |
| 424        | DAA402ZK13 | Handrail guide, passenger side, UL | Bal. 1000, 2 flat step, 30°, ANSI                               |
| 425        | DAA402ZK14 | Handrail guide, passenger side, UL | Bal. 1000, 3 flat step, 30°, ANSI                               |

**508NCE/512NCE/515NPE-  
S/515NPE-L Escalator  
Balustrade Handrail Guide**

**Spare Parts Leaflet  
57-DAA26228AP**



**508NCE – EN/GB/HK/SAA CODE, 30° , 35°  
508NCE - JIS CODE, 35°  
INDOOR**



**UPPER LANDING = UL**

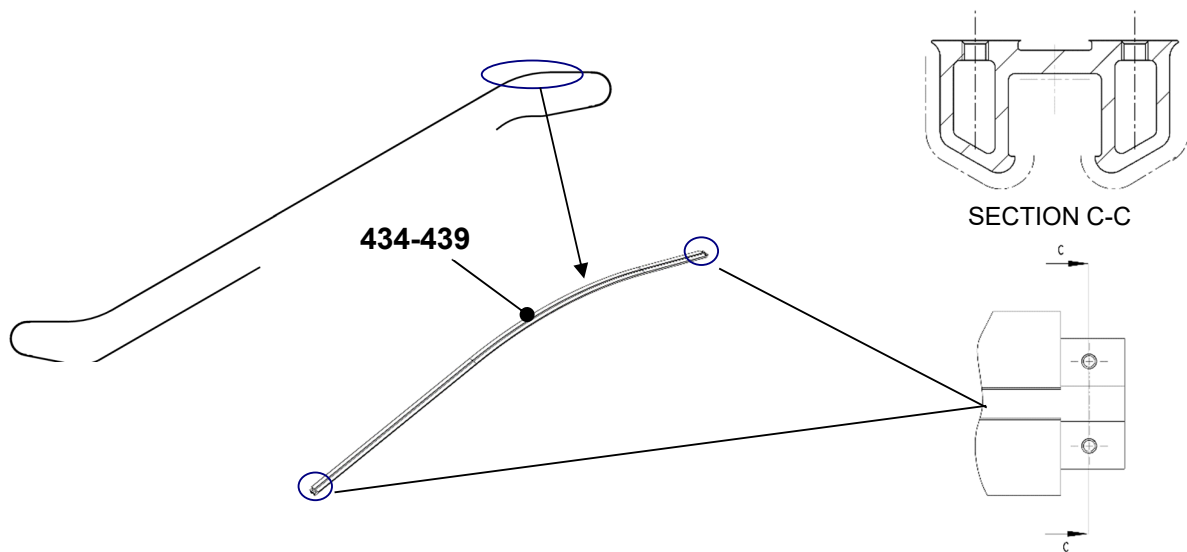
| <b>DAA26228AP</b> |                 |   |   |
|-------------------|-----------------|---|---|
| <b>REF. No.</b>   | <b>PART No.</b> | <b>DESCRIPTION</b>                      |   |
| 426               | DAA402ZK101     | Handrail guide, passenger side, UL, FO7 | Bal. 930, 2 flat step, 30°, EN/GB/HK/SAA                        |
| 427               | DAA402ZK102     | Handrail guide, passenger side, UL, FO7 | Bal. 930, 3 flat step, 30°, EN/GB/HK/SAA                        |
| 428               | DAA402ZK103     | Handrail guide, passenger side, UL, FO7 | Bal. 1000, 2 flat step, 30°, EN/GB/HK/SAA                       |
| 429               | DAA402ZK104     | Handrail guide, passenger side, UL, FO7 | Bal. 1000, 3 flat step, 30°, EN/GB/HK/SAA                       |
| 430               | DAA402ZK105     | Handrail guide, passenger side, UL, FO7 | Bal. 930, 35°, 2 flat step, EN/GB/HK/SAA<br>1.5 flat step, JIS  |
| 431               | DAA402ZK106     | Handrail guide, passenger side, UL, FO7 | Bal. 930, 3 flat step, 35°, EN/GB/HK/SAA/JIS                    |
| 432               | DAA402ZK107     | Handrail guide, passenger side, UL, FO7 | Bal. 1000, 35°, 2 flat step, EN/GB/HK/SAA<br>1.5 flat step, JIS |
| 433               | DAA402ZK108     | Handrail guide, passenger side, UL, FO7 | Bal. 1000, 3 flat step, 35°, EN/GB/HK/SAA/JIS                   |

**508NCE/512NCE/515NPE-  
S/515NPE-L Escalator  
Balustrade Handrail Guide**

**Spare Parts Leaflet  
57-DAA26228AP**



**508NCE –JIS/ANSI CODE  
INDOOR**



**UPPER LANDING = UL**

| <b>DAA26228AP</b> |                 |   |                                   |
|-------------------|-----------------|---|-----------------------------------|
| <b>REF. No.</b>   | <b>PART No.</b> | <b>DESCRIPTION</b>                      |                                   |
| 434               | DAA402ZK109     | Handrail guide, passenger side, UL, FO7 | Bal. 930, 1.5 flat step, 30°, JIS |
| 435               | DAA402ZK133     | Handrail guide, passenger side, UL, FO7 | Bal. 930, 3 flat step, 30°, JIS   |
| 436               | DAA402ZK110     | Handrail guide, passenger side, UL, FO7 | Bal. 930, 1.5 flat step, 30°, JIS |
| 437               | DAA402ZK134     | Handrail guide, passenger side, UL, FO7 | Bal. 1000, 3 flat step, 30°, JIS  |
| 438               | DAA402ZK113     | Handrail guide, passenger side, UL, FO7 | Bal. 1000, 2 flat step, 30°, ANSI |
| 439               | DAA402ZK114     | Handrail guide, passenger side, UL, FO7 | Bal. 1000, 3 flat step, 30°, ANSI |

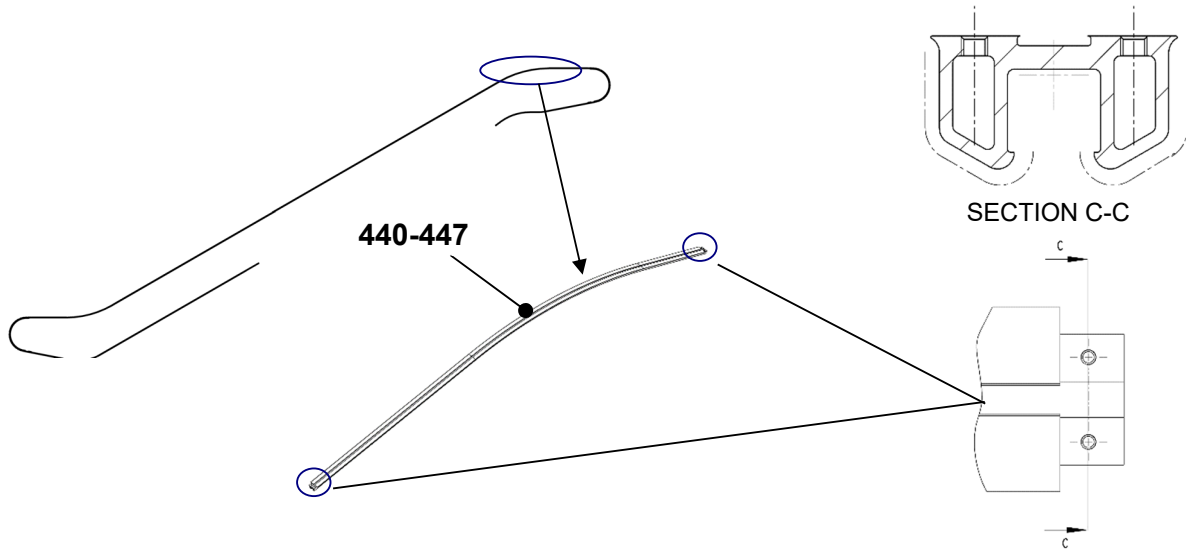
**508NCE/512NCE/515NPE-  
S/515NPE-L Escalator  
Balustrade Handrail Guide**

**Spare Parts  
Leaflet  
57-DAA26228AP**



**508NCE – EN/GB/HK/SAA CODE, 30° , 35°**

**508NCE - JIS CODE, 35°**  
SEMI-OUTDOOR / OUTDOOR



**UPPER LANDING = UL**

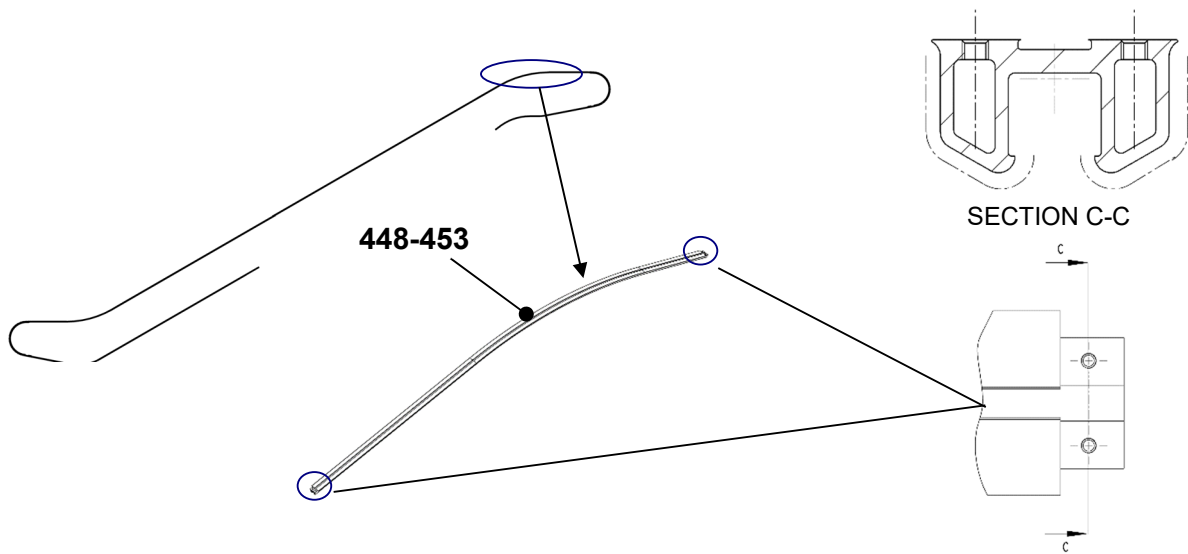
| <b>DAA26228AP</b> |                 |  |   |
|-------------------|-----------------|--|---|
| <b>REF. No.</b>   | <b>PART No.</b> | <b>DESCRIPTION</b>                       |   |
| 440               | DAA402ZK201     | Handrail guide, passenger side, UL, FO10 | Bal. 930, 2 flat step, 30°, EN/GB/HK/SAA                        |
| 441               | DAA402ZK202     | Handrail guide, passenger side, UL, FO10 | Bal. 930, 3 flat step, 30°, EN/GB/HK/SAA                        |
| 442               | DAA402ZK203     | Handrail guide, passenger side, UL, FO10 | Bal. 1000, 2 flat step, 30°, EN/GB/HK/SAA                       |
| 443               | DAA402ZK204     | Handrail guide, passenger side, UL, FO10 | Bal. 1000, 3 flat step, 30°, EN/GB/HK/SAA                       |
| 444               | DAA402ZK205     | Handrail guide, passenger side, UL, FO10 | Bal. 930, 35°, 2 flat step, EN/GB/HK/SAA<br>1.5 flat step, JIS  |
| 445               | DAA402ZK206     | Handrail guide, passenger side, UL, FO10 | Bal. 930, 3 flat step, 35°, EN/GB/HK/SAA/JIS                    |
| 446               | DAA402ZK207     | Handrail guide, passenger side, UL, FO10 | Bal. 1000, 35°, 2 flat step, EN/GB/HK/SAA<br>1.5 flat step, JIS |
| 447               | DAA402ZK208     | Handrail guide, passenger side, UL, FO10 | Bal. 1000, 3 flat step, 35°, EN/GB/HK/SAA/JIS                   |

**508NCE/512NCE/515NPE-  
S/515NPE-L Escalator  
Balustrade Handrail Guide**

**Spare Parts Leaflet  
57-DAA26228AP**



**508NCE – JIS/ANSI CODE**  
SEMI-OUTDOOR / OUTDOOR



**UPPER LANDING = UL**

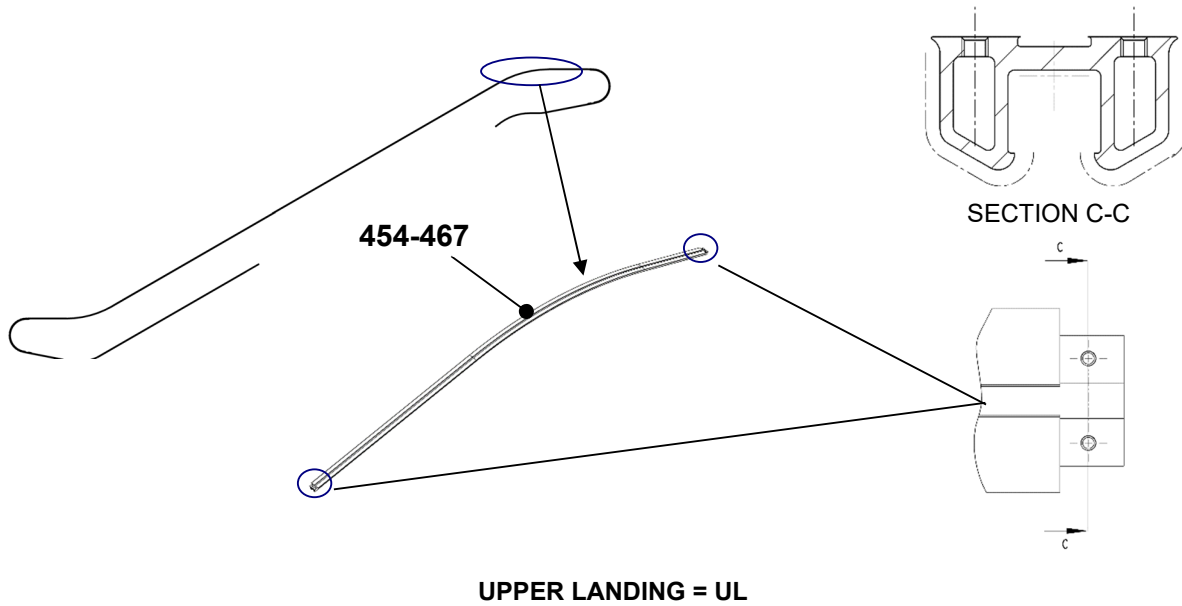
| <b>DAA26228AP</b> |                 |  |                                    |
|-------------------|-----------------|--|------------------------------------|
| <b>REF. No.</b>   | <b>PART No.</b> | <b>DESCRIPTION</b>                       |                                    |
| 448               | DAA402ZK209     | Handrail guide, passenger side, UL, FO10 | Bal. 930, 1.5 flat step, 30°, JIS  |
| 449               | DAA402ZK233     | Handrail guide, passenger side, UL, FO10 | Bal. 930, 3 flat step, 30°, JIS    |
| 450               | DAA402ZK210     | Handrail guide, passenger side, UL, FO10 | Bal. 1000, 1.5 flat step, 30°, JIS |
| 451               | DAA402ZK234     | Handrail guide, passenger side, UL, FO10 | Bal. 1000, 3 flat step, 30°, JIS   |
| 452               | DAA402ZK213     | Handrail guide, passenger side, UL, FO10 | Bal. 1000, 2 flat step, 30° , ANSI |
| 453               | DAA402ZK214     | Handrail guide, passenger side, UL, FO10 | Bal. 1000, 3 flat step, 30° , ANSI |

**508NCE/512NCE/515NPE-S/515NPE-L Escalator Balustrade Handrail Guide**

**Spare Parts Leaflet  
57-DAA26228AP**



515NPE-S-EN/GB/HK/SAA/JIS CODE, 512NCE-ANSI CODE  
INDOOR



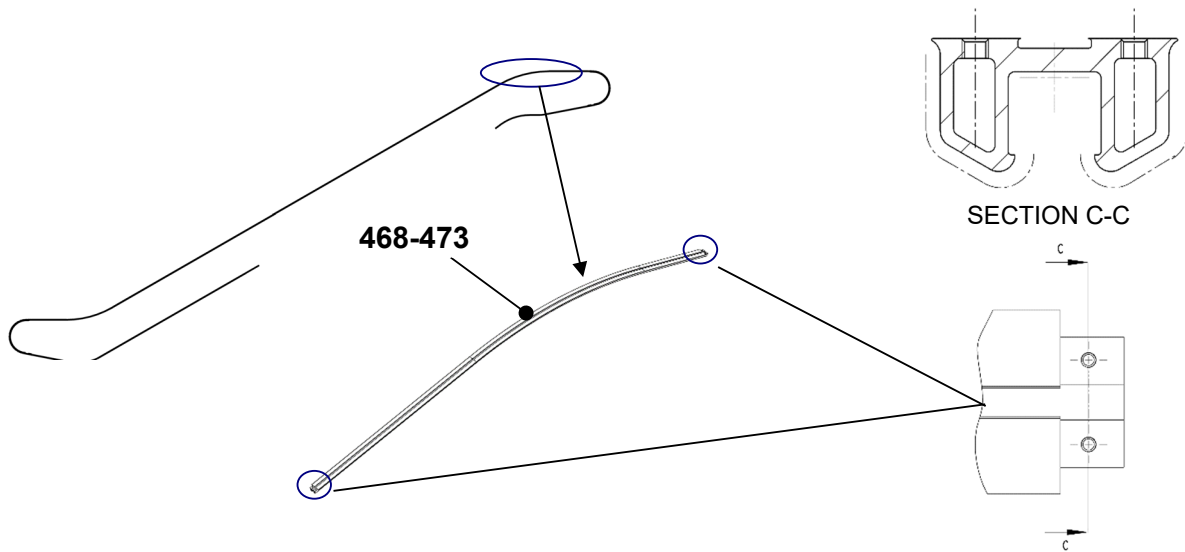
| DAA26228AP |            |                                    |   |
|------------|------------|------------------------------------|---|
| REF. No.   | PART No.   | DESCRIPTION                        |   |
| 454        | DAA402ZK37 | Handrail guide, passenger side, UL | Bal. 930, 2 flat step, 30°, EN/GB/HK/SAA/JIS  |
| 455        | DAA402ZK38 | Handrail guide, passenger side, UL | Bal. 930, 3 flat step, 30°, EN/GB/HK/SAA/JIS  |
| 456        | DAA402ZK39 | Handrail guide, passenger side, UL | Bal. 930, 4 flat step, 30°, EN/GB/HK/SAA/JIS  |
| 457        | DAA402ZK40 | Handrail guide, passenger side, UL | Bal. 1000, 2 flat step, 30°, EN/GB/HK/SAA/JIS |
| 458        | DAA402ZK41 | Handrail guide, passenger side, UL | Bal. 1000, 3 flat step, 30°, EN/GB/HK/SAA/JIS |
| 459        | DAA402ZK42 | Handrail guide, passenger side, UL | Bal. 1000, 4 flat step, 30°, EN/GB/HK/SAA/JIS |
| 460        | DAA402ZK43 | Handrail guide, passenger side, UL | Bal. 930, 2 flat step, 35°, EN/GB/HK/SAA/JIS  |
| 461        | DAA402ZK44 | Handrail guide, passenger side, UL | Bal. 930, 3 flat step, 35°, EN/GB/HK/SAA/JIS  |
| 462        | DAA402ZK45 | Handrail guide, passenger side, UL | Bal. 930, 4 flat step, 35°, EN/GB/HK/SAA/JIS  |
| 463        | DAA402ZK46 | Handrail guide, passenger side, UL | Bal. 1000, 2 flat step, 35°, EN/GB/HK/SAA/JIS |
| 464        | DAA402ZK47 | Handrail guide, passenger side, UL | Bal. 1000, 3 flat step, 35°, EN/GB/HK/SAA/JIS |
| 465        | DAA402ZK48 | Handrail guide, passenger side, UL | Bal. 1000, 4 flat step, 35°, EN/GB/HK/SAA/JIS |
| 466        | DAA402ZK35 | Handrail guide, passenger side, UL | Bal. 1000, 2 flat step, 30°, ANSI             |
| 467        | DAA402ZK36 | Handrail guide, passenger side, UL | Bal. 1000, 3 flat step, 30°, ANSI             |

**508NCE/512NCE/515NPE-S/515NPE-L Escalator Balustrade Handrail Guide**

**Spare Parts Leaflet  
57-DAA26228AP**



**515NPE-S-EN/GB/HK/SAA/JIS CODE  
INDOOR**



**UPPER LANDING = UL**

| <b>DAA26228AP</b> |                 |   |   |
|-------------------|-----------------|---|---|
| <b>REF. No.</b>   | <b>PART No.</b> | <b>DESCRIPTION</b>                      |   |
| 468               | DAA402ZK137     | Handrail guide, passenger side, UL, FO7 | Bal. 930, 2 flat step, 30°, EN/GB/HK/SAA/JIS  |
| 469               | DAA402ZK138     | Handrail guide, passenger side, UL, FO7 | Bal. 930, 3 flat step, 30°, EN/GB/HK/SAA/JIS  |
| 470               | DAA402ZK139     | Handrail guide, passenger side, UL, FO7 | Bal. 930, 4 flat step, 30°, EN/GB/HK/SAA/JIS  |
| 471               | DAA402ZK140     | Handrail guide, passenger side, UL, FO7 | Bal. 1000, 2 flat step, 30°, EN/GB/HK/SAA/JIS |
| 472               | DAA402ZK141     | Handrail guide, passenger side, UL, FO7 | Bal. 1000, 3 flat step, 30°, EN/GB/HK/SAA/JIS |
| 473               | DAA402ZK142     | Handrail guide, passenger side, UL, FO7 | Bal. 1000, 4 flat step, 30°, EN/GB/HK/SAA/JIS |

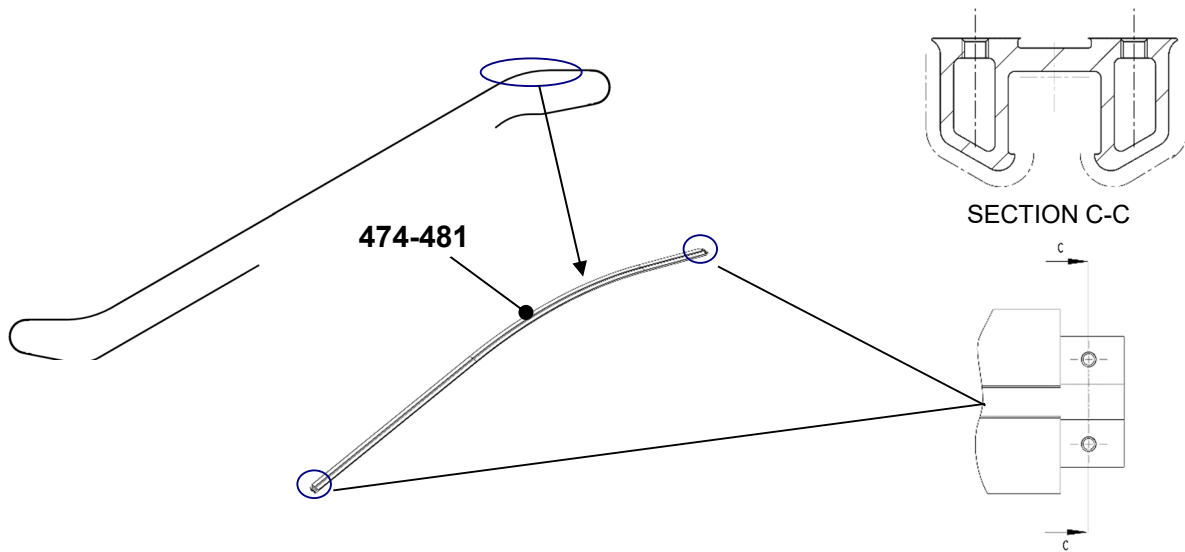


**508NCE/512NCE/515NPE-S/515NPE-L Escalator Balustrade Handrail Guide**

**Spare Parts Leaflet  
57-DAA26228AP**



515NPE-S-EN/GB/HK/SA/JIS CODE, 512NCE-ANSI CODE  
INDOOR



UPPER LANDING = UL

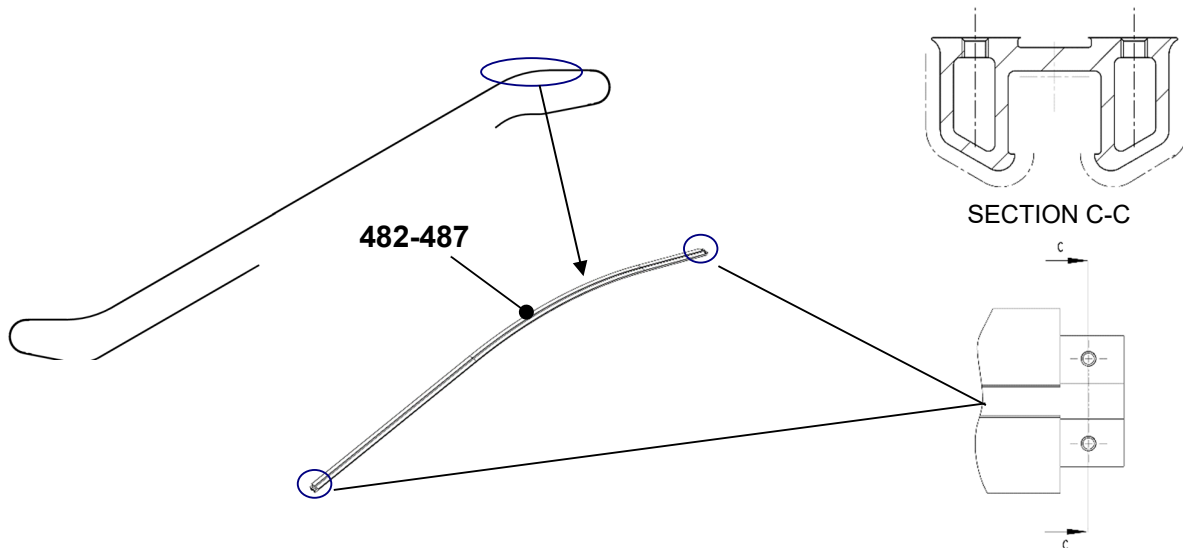
| DAA26228AP |             |   |  |
|------------|-------------|---|--|
| REF. No.   | PART No.    | DESCRIPTION                             |  |
| 474        | DAA402ZK143 | Handrail guide, passenger side, UL, FO7 | Bal. 930, 2 flat step, 35°, EN/GB/HK/SA/JIS  |
| 475        | DAA402ZK144 | Handrail guide, passenger side, UL, FO7 | Bal. 930, 3 flat step, 35°, EN/GB/HK/SA/JIS  |
| 476        | DAA402ZK145 | Handrail guide, passenger side, UL, FO7 | Bal. 930, 4 flat step, 35°, EN/GB/HK/SA/JIS  |
| 477        | DAA402ZK146 | Handrail guide, passenger side, UL, FO7 | Bal. 1000, 2 flat step, 35°, EN/GB/HK/SA/JIS |
| 478        | DAA402ZK147 | Handrail guide, passenger side, UL, FO7 | Bal. 1000, 3 flat step, 35°, EN/GB/HK/SA/JIS |
| 479        | DAA402ZK148 | Handrail guide, passenger side, UL, FO7 | Bal. 1000, 4 flat step, 35°, EN/GB/HK/SA/JIS |
| 480        | DAA402ZK135 | Handrail guide, passenger side, UL, FO7 | Bal. 1000, 2 flat step, 30°, ANSI            |
| 481        | DAA402ZK136 | Handrail guide, passenger side, UL, FO7 | Bal. 1000, 3 flat step, 30°, ANSI            |

**508NCE/512NCE/515NPE-S/515NPE-L Escalator Balustrade Handrail Guide**

**Spare Parts Leaflet  
57-DAA26228AP**

44

515NPE-S- EN/GB/HK/SAA/JIS CODE  
SEMI-OUTDOOR / OUTDOOR



UPPER LANDING = UL

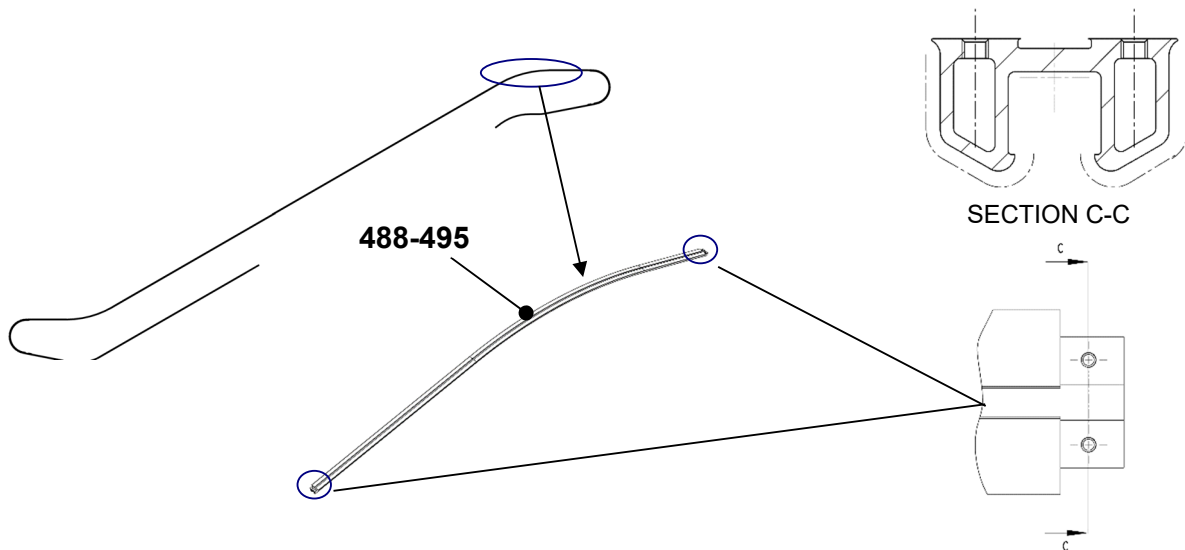
| DAA26228AP |             |  |   |
|------------|-------------|--|---|
| REF. No.   | PART No.    | DESCRIPTION                              |   |
| 482        | DAA402ZK237 | Handrail guide, passenger side, UL, FO10 | Bal. 930, 2 flat step, 30°, EN/GB/HK/SAA/JIS  |
| 483        | DAA402ZK238 | Handrail guide, passenger side, UL, FO10 | Bal. 930, 3 flat step, 30°, EN/GB/HK/SAA/JIS  |
| 484        | DAA402ZK239 | Handrail guide, passenger side, UL, FO10 | Bal. 930, 4 flat step, 30°, EN/GB/HK/SAA/JIS  |
| 485        | DAA402ZK240 | Handrail guide, passenger side, UL, FO10 | Bal. 1000, 2 flat step, 30°, EN/GB/HK/SAA/JIS |
| 486        | DAA402ZK241 | Handrail guide, passenger side, UL, FO10 | Bal. 1000, 3 flat step, 30°, EN/GB/HK/SAA/JIS |
| 487        | DAA402ZK242 | Handrail guide, passenger side, UL, FO10 | Bal. 1000, 4 flat step, 30°, EN/GB/HK/SAA/JIS |

**508NCE/512NCE/515NPE-S/515NPE-L Escalator Balustrade Handrail Guide**

**Spare Parts Leaflet  
57-DAA26228AP**



515NPE-S-EN/GB/HK/SAA/JIS CODE, 512NCE ANSI CODE  
SEMI-OUTDOOR / OUTDOOR

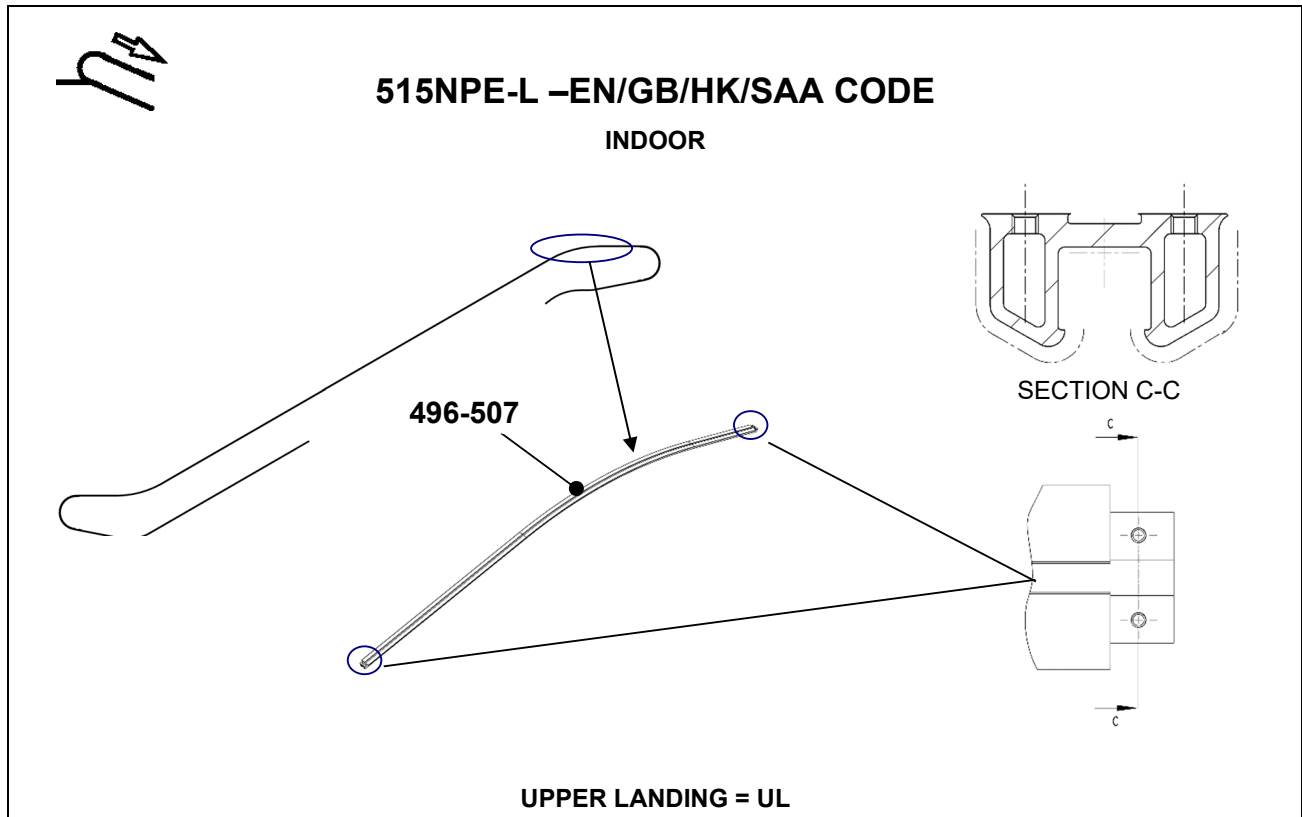


UPPER LANDING = UL

| DAA26228AP |             |  |   |
|------------|-------------|--|---|
| REF. No.   | PART No.    | DESCRIPTION                              |   |
| 488        | DAA402ZK243 | Handrail guide, passenger side, UL, FO10 | Bal. 930, 2 flat step, 35°, EN/GB/HK/SAA/JIS  |
| 489        | DAA402ZK244 | Handrail guide, passenger side, UL, FO10 | Bal. 930, 3 flat step, 35°, EN/GB/HK/SAA/JIS  |
| 490        | DAA402ZK245 | Handrail guide, passenger side, UL, FO10 | Bal. 930, 4 flat step, 35°, EN/GB/HK/SAA/JIS  |
| 491        | DAA402ZK246 | Handrail guide, passenger side, UL, FO10 | Bal. 1000, 2 flat step, 35°, EN/GB/HK/SAA/JIS |
| 492        | DAA402ZK247 | Handrail guide, passenger side, UL, FO10 | Bal. 1000, 3 flat step, 35°, EN/GB/HK/SAA/JIS |
| 493        | DAA402ZK248 | Handrail guide, passenger side, UL, FO10 | Bal. 1000, 4 flat step, 35°, EN/GB/HK/SAA/JIS |
| 494        | DAA402ZK235 | Handrail guide, passenger side, UL, FO10 | Bal. 1000, 2 flat step, 30°, ANSI             |
| 495        | DAA402ZK236 | Handrail guide, passenger side, UL, FO10 | Bal. 1000, 3 flat step, 30°, ANSI             |

**508NCE/512NCE/515NPE-  
S/515NPE-L Escalator  
Balustrade Handrail Guide**

**Spare Parts Leaflet  
57-DAA26228AP**



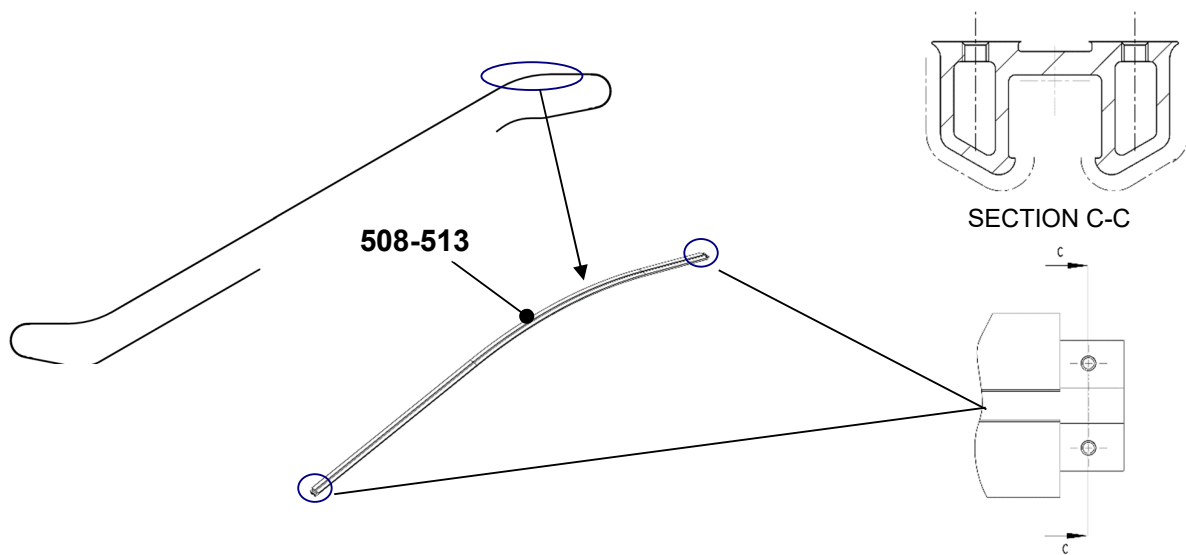
| DAA26228AP |            |                                    |                             |
|------------|------------|------------------------------------|-----------------------------|
| REF. No.   | PART No.   | DESCRIPTION                        |                             |
| 496        | DAA402ZK21 | Handrail guide, passenger side, UL | Bal. 930, 2 flat step, 30°  |
| 497        | DAA402ZK22 | Handrail guide, passenger side, UL | Bal. 930, 3 flat step, 30°  |
| 498        | DAA402ZK23 | Handrail guide, passenger side, UL | Bal. 930, 4 flat step, 30°  |
| 499        | DAA402ZK24 | Handrail guide, passenger side, UL | Bal. 1000, 2 flat step, 30° |
| 500        | DAA402ZK25 | Handrail guide, passenger side, UL | Bal. 1000, 3 flat step, 30° |
| 501        | DAA402ZK26 | Handrail guide, passenger side, UL | Bal. 1000, 4 flat step, 30° |
| 502        | DAA402ZK27 | Handrail guide, passenger side, UL | Bal. 930, 2 flat step, 35°  |
| 503        | DAA402ZK28 | Handrail guide, passenger side, UL | Bal. 930, 3 flat step, 35°  |
| 504        | DAA402ZK29 | Handrail guide, passenger side, UL | Bal. 930, 4 flat step, 35°  |
| 505        | DAA402ZK30 | Handrail guide, passenger side, UL | Bal. 1000, 2 flat step, 35° |
| 506        | DAA402ZK31 | Handrail guide, passenger side, UL | Bal. 1000, 3 flat step, 35° |
| 507        | DAA402ZK32 | Handrail guide, passenger side, UL | Bal. 1000, 4 flat step, 35° |

**508NCE/512NCE/515NPE-  
S/515NPE-L Escalator  
Balustrade Handrail Guide**

**Spare Parts Leaflet  
57-DAA26228AP**



**515NPE-L –EN/GB/HK/SAA CODE  
INDOOR**



**UPPER LANDING = UL**

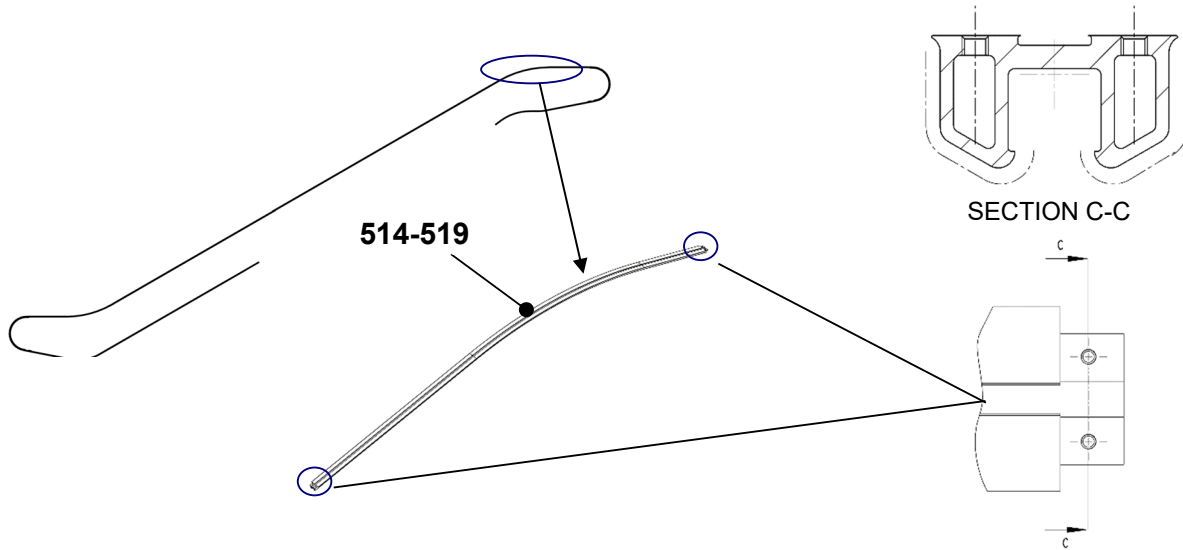
| <b>DAA26228AP</b> |                 |   |                             |
|-------------------|-----------------|---|-----------------------------|
| <b>REF. No.</b>   | <b>PART No.</b> | <b>DESCRIPTION</b>                      |                             |
| 508               | DAA402ZK121     | Handrail guide, passenger side, UL, FO7 | Bal. 930, 2 flat step, 30°  |
| 509               | DAA402ZK122     | Handrail guide, passenger side, UL, FO7 | Bal. 930, 3 flat step, 30°  |
| 510               | DAA402ZK123     | Handrail guide, passenger side, UL, FO7 | Bal. 930, 4 flat step, 30°  |
| 511               | DAA402ZK124     | Handrail guide, passenger side, UL, FO7 | Bal. 1000, 2 flat step, 30° |
| 512               | DAA402ZK125     | Handrail guide, passenger side, UL, FO7 | Bal. 1000, 3 flat step, 30° |
| 513               | DAA402ZK126     | Handrail guide, passenger side, UL, FO7 | Bal. 1000, 4 flat step, 30° |

**508NCE/512NCE/515NPE-  
S/515NPE-L Escalator  
Balustrade Handrail Guide**

**Spare Parts Leaflet  
57-DAA26228AP**



**515NPE-L –EN/GB/HK/SAA CODE  
INDOOR**



**UPPER LANDING = UL**

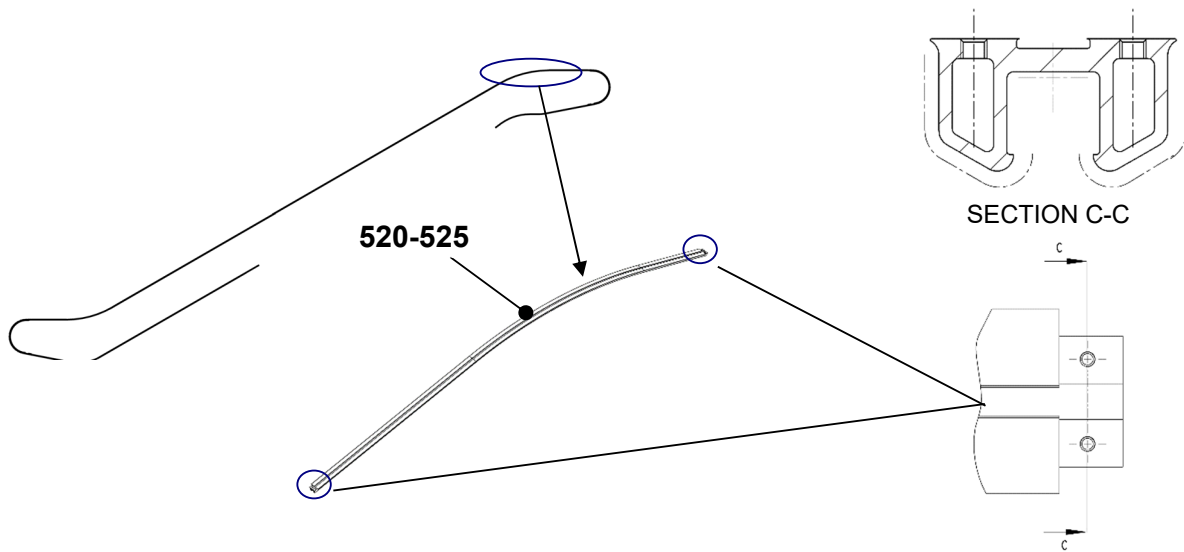
| <b>DAA26228AP</b> |                 |   |                             |
|-------------------|-----------------|---|-----------------------------|
| <b>REF. No.</b>   | <b>PART No.</b> | <b>DESCRIPTION</b>                      |                             |
| 514               | DAA402ZK127     | Handrail guide, passenger side, UL, FO7 | Bal. 930, 2 flat step, 35°  |
| 515               | DAA402ZK128     | Handrail guide, passenger side, UL, FO7 | Bal. 930, 3 flat step, 35°  |
| 516               | DAA402ZK129     | Handrail guide, passenger side, UL, FO7 | Bal. 930, 4 flat step, 35°  |
| 517               | DAA402ZK130     | Handrail guide, passenger side, UL, FO7 | Bal. 1000, 2 flat step, 35° |
| 518               | DAA402ZK131     | Handrail guide, passenger side, UL, FO7 | Bal. 1000, 3 flat step, 35° |
| 519               | DAA402ZK132     | Handrail guide, passenger side, UL, FO7 | Bal. 1000, 4 flat step, 35° |

**508NCE/512NCE/515NPE-  
S/515NPE-L Escalator  
Balustrade Handrail Guide**

**Spare Parts Leaflet  
57-DAA26228AP**



**515NPE-L -EN/GB/HK/SAA CODE  
SEMI-OUTDOOR / OUTDOOR**



**UPPER LANDING = UL**

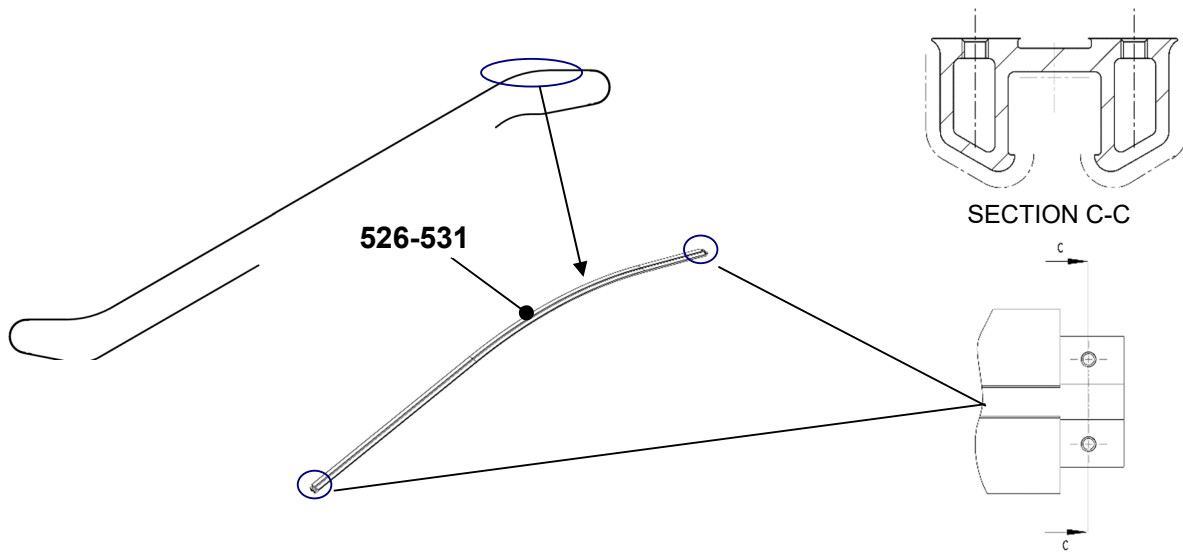
| <b>DAA26228AP</b> |                 |  |                             |
|-------------------|-----------------|--|-----------------------------|
| <b>REF. No.</b>   | <b>PART No.</b> | <b>DESCRIPTION</b>                       |                             |
| 520               | DAA402ZK221     | Handrail guide, passenger side, UL, FO10 | Bal. 930, 2 flat step, 30°  |
| 521               | DAA402ZK222     | Handrail guide, passenger side, UL, FO10 | Bal. 930, 3 flat step, 30°  |
| 522               | DAA402ZK223     | Handrail guide, passenger side, UL, FO10 | Bal. 930, 4 flat step, 30°  |
| 523               | DAA402ZK224     | Handrail guide, passenger side, UL, FO10 | Bal. 1000, 2 flat step, 30° |
| 524               | DAA402ZK225     | Handrail guide, passenger side, UL, FO10 | Bal. 1000, 3 flat step, 30° |
| 525               | DAA402ZK226     | Handrail guide, passenger side, UL, FO10 | Bal. 1000, 4 flat step, 30° |

**508NCE/512NCE/515NPE-  
S/515NPE-L Escalator  
Balustrade Handrail Guide**

**Spare Parts Leaflet  
57-DAA26228AP**



515NPE-L -EN/GB/HK/SAA CODE  
SEMI-OUTDOOR / OUTDOOR



**UPPER LANDING = UL**

| <b>DAA26228AP</b> |                 |  |                             |
|-------------------|-----------------|--|-----------------------------|
| <b>REF. No.</b>   | <b>PART No.</b> | <b>DESCRIPTION</b>                       |                             |
| 526               | DAA402ZK227     | Handrail guide, passenger side, UL, FO10 | Bal. 930, 2 flat step, 35°  |
| 527               | DAA402ZK228     | Handrail guide, passenger side, UL, FO10 | Bal. 930, 3 flat step, 35°  |
| 528               | DAA402ZK229     | Handrail guide, passenger side, UL, FO10 | Bal. 930, 4 flat step, 35°  |
| 529               | DAA402ZK230     | Handrail guide, passenger side, UL, FO10 | Bal. 1000, 2 flat step, 35° |
| 530               | DAA402ZK231     | Handrail guide, passenger side, UL, FO10 | Bal. 1000, 3 flat step, 35° |
| 531               | DAA402ZK232     | Handrail guide, passenger side, UL, FO10 | Bal. 1000, 4 flat step, 35° |



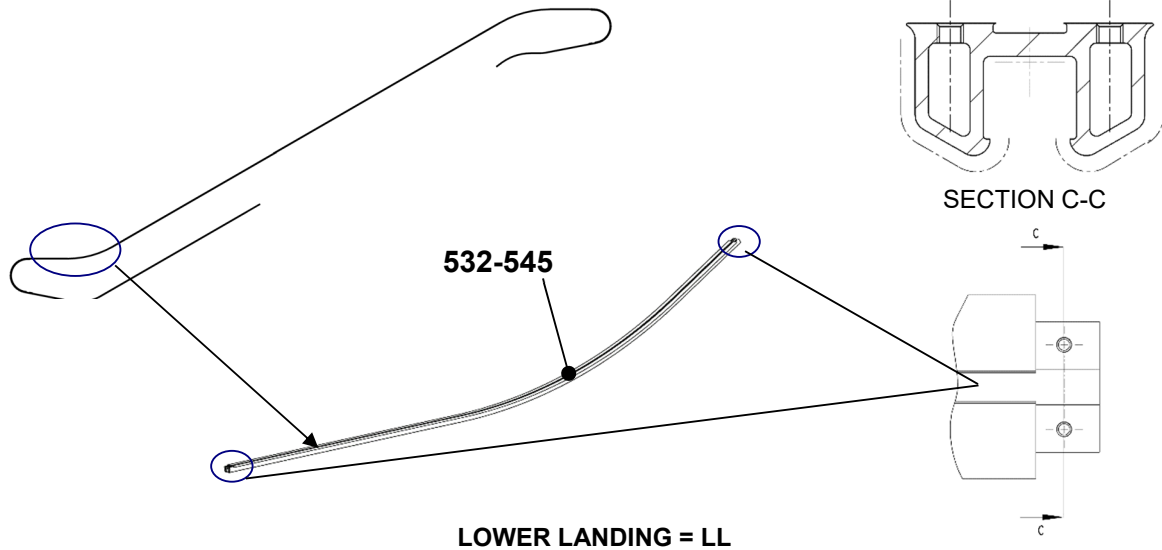
**508NCE/512NCE/515NPE-  
S/515NPE-L Escalator  
Balustrade Handrail Guide**

**Spare Parts Leaflet  
57-DAA26228AP**



**508NCE EN/GB/HK/SAA/JIS/ANSI CODE**

INDOOR



| DAA26228AP |            |                                    |   |
|------------|------------|------------------------------------|---|
| REF. No.   | PART No.   | DESCRIPTION                        |   |
| 532        | DAA402ZL1  | Handrail guide, passenger side, LL | Bal. 930, 2 flat step, 30°, EN/GB/HK/SAA                        |
| 533        | DAA402ZL2  | Handrail guide, passenger side, LL | Bal. 930, 3 flat step, 30°, EN/GB/HK/SAA                        |
| 534        | DAA402ZL3  | Handrail guide, passenger side, LL | Bal. 1000, 2 flat step, 30°, EN/GB/HK/SAA                       |
| 535        | DAA402ZL4  | Handrail guide, passenger side, LL | Bal. 1000, 3 flat step, 30°, EN/GB/HK/SAA                       |
| 536        | DAA402ZL5  | Handrail guide, passenger side, LL | Bal. 930, 35°, 2 flat step, EN/GB/HK/SAA<br>1.4 flat step, JIS  |
| 537        | DAA402ZL6  | Handrail guide, passenger side, LL | Bal. 930, 3 flat step, 35°, EN/GB/HK/SAA/JIS                    |
| 538        | DAA402ZL7  | Handrail guide, passenger side, LL | Bal. 1000, 35°, 2 flat step, EN/GB/HK/SAA<br>1.4 flat step, JIS |
| 539        | DAA402ZL8  | Handrail guide, passenger side, LL | Bal. 1000, 3 flat step, 35°, EN/GB/HK/SAA/JIS                   |
| 540        | DAA402ZL9  | Handrail guide, passenger side, LL | Bal. 930, 1.4 flat step, 30°, JIS                               |
| 541        | DAA402ZL33 | Handrail guide, passenger side, LL | Bal. 930, 3 flat step, 30°, JIS                                 |
| 542        | DAA402ZL10 | Handrail guide, passenger side, LL | Bal. 1000, 1.4 flat step, 30°, JIS                              |
| 543        | DAA402ZL34 | Handrail guide, passenger side, LL | Bal. 1000, 3 flat step, 30°, JIS                                |
| 544        | DAA402ZL13 | Handrail guide, passenger side, LL | Bal. 1000, 2 flat step, 30°, ANSI                               |
| 545        | DAA402ZL14 | Handrail guide, passenger side, LL | Bal. 1000, 3 flat step, 30°, ANSI                               |

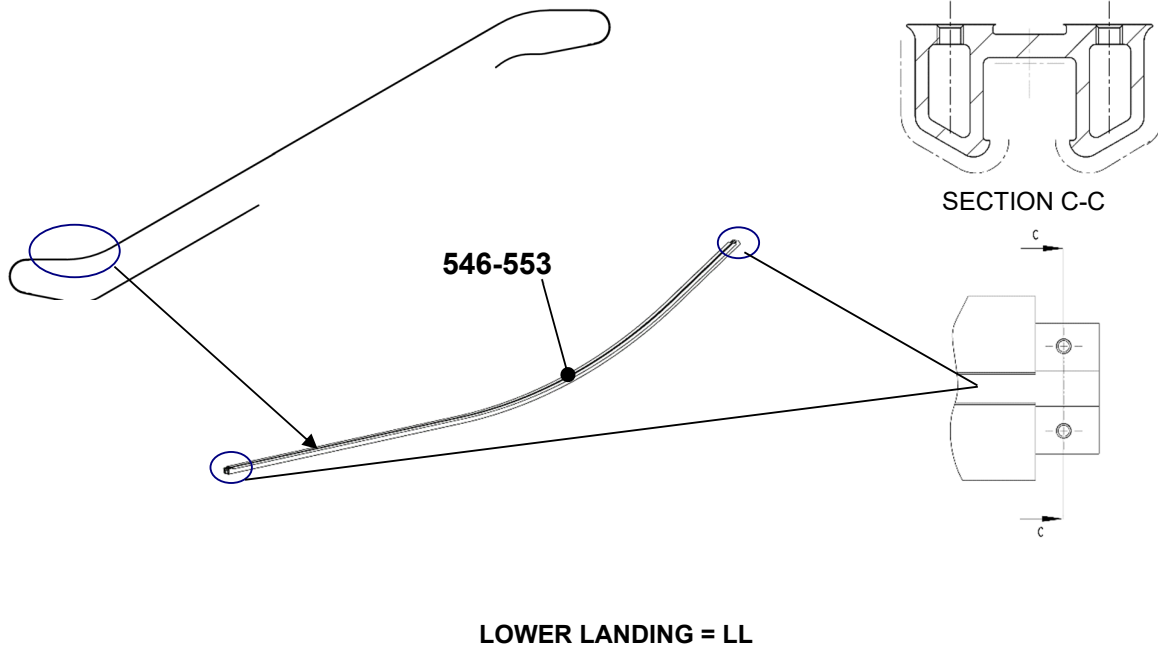
**508NCE/512NCE/515NPE-  
S/515NPE-L Escalator  
Balustrade Handrail Guide**

**Spare Parts Leaflet  
57-DAA26228AP**



**508NCE EN/GB/HK/SAA/JIS CODE**

INDOOR



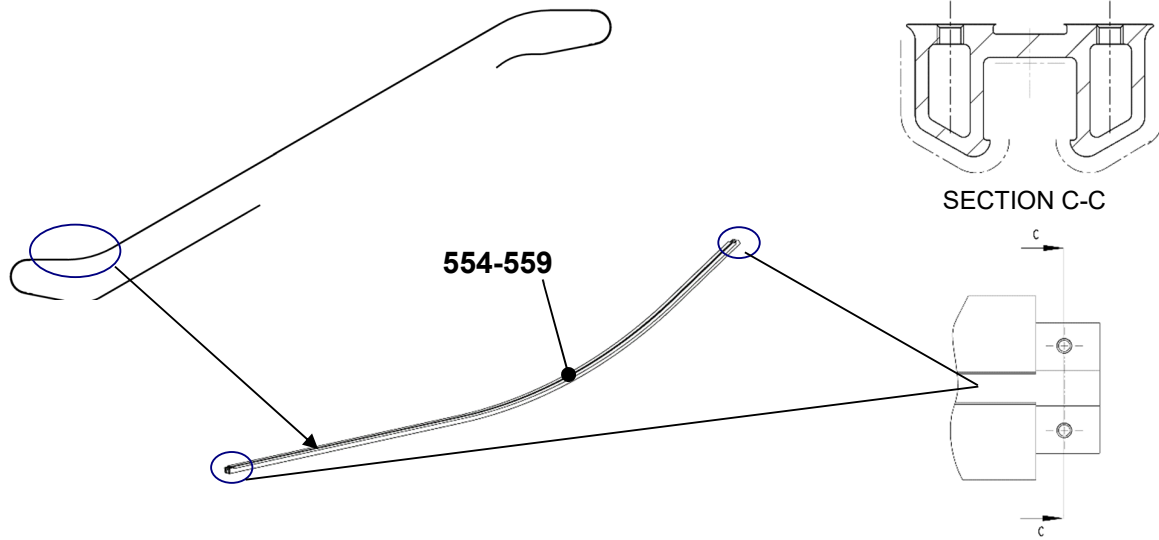
| DAA26228AP |              |   |   |
|------------|--------------|---|---|
| REF. No.   | PART No.     | DESCRIPTION                             |   |
| 546        | DAA402ZL 101 | Handrail guide, passenger side, LL, FO7 | Bal. 930, 2 flat step, 30°, EN/GB/HK/SAA                        |
| 547        | DAA402ZL 102 | Handrail guide, passenger side, LL, FO7 | Bal. 930, 3 flat step, 30°, EN/GB/HK/SAA                        |
| 548        | DAA402ZL 103 | Handrail guide, passenger side, LL, FO7 | Bal. 1000, 2 flat step, 30°, EN/GB/HK/SAA                       |
| 549        | DAA402ZL 104 | Handrail guide, passenger side, LL, FO7 | Bal. 1000, 3 flat step, 30°, EN/GB/HK/SAA                       |
| 550        | DAA402ZL 105 | Handrail guide, passenger side, LL, FO7 | Bal. 930, 35°, 2 flat step, EN/GB/HK/SAA<br>1.4 flat step, JIS  |
| 551        | DAA402ZL 106 | Handrail guide, passenger side, LL, FO7 | Bal. 930, 3 flat step, 35°, EN/GB/HK/SAA/JIS                    |
| 552        | DAA402ZL 107 | Handrail guide, passenger side, LL, FO7 | Bal. 1000, 35°, 2 flat step, EN/GB/HK/SAA<br>1.4 flat step, JIS |
| 553        | DAA402ZL 108 | Handrail guide, passenger side, LL, FO7 | Bal. 1000, 3 flat step, 35°, EN/GB/HK/SAA/JIS                   |

**508NCE/512NCE/515NPE-  
S/515NPE-L Escalator  
Balustrade Handrail Guide**

**Spare Parts Leaflet  
57-DAA26228AP**



**508NCE JIS/ANSI CODE  
INDOOR**



LOWER LANDING = LL

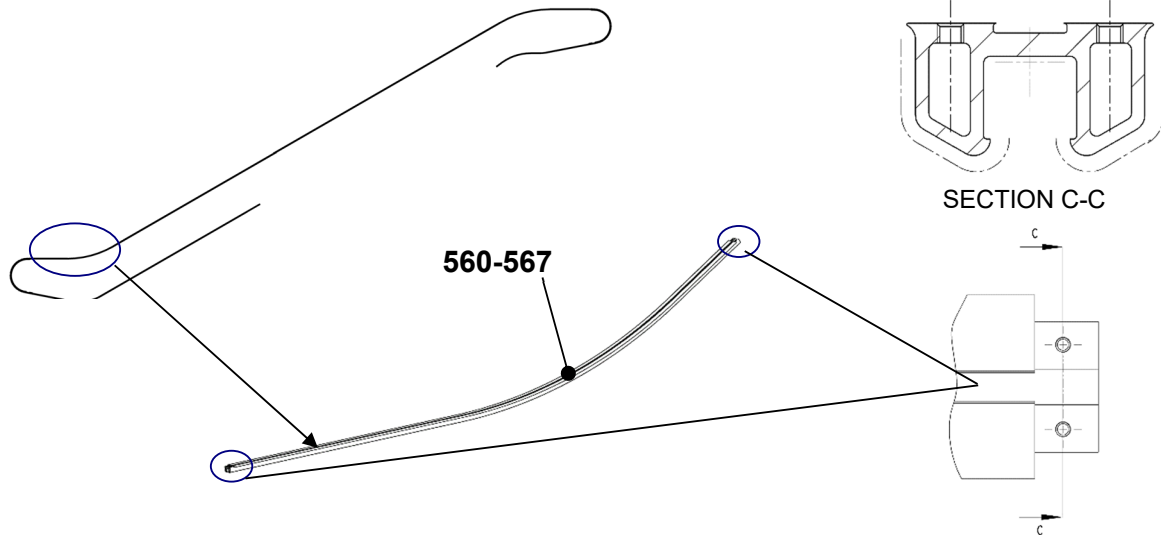
| DAA26228AP |             |   |                                     |
|------------|-------------|---|-------------------------------------|
| REF. No.   | PART No.    | DESCRIPTION                             |                                     |
| 554        | DAA402ZL109 | Handrail guide, passenger side, LL, FO7 | Bal. 930, 1.4 flat step, 30° , JIS  |
| 555        | DAA402ZL133 | Handrail guide, passenger side, LL, FO7 | Bal. 930, 3 flat step, 30° , JIS    |
| 556        | DAA402ZL110 | Handrail guide, passenger side, LL, FO7 | Bal. 1000, 1.4 flat step, 30° , JIS |
| 557        | DAA402ZL134 | Handrail guide, passenger side, LL, FO7 | Bal. 1000, 3 flat step, 30° , JIS   |
| 558        | DAA402ZL113 | Handrail guide, passenger side, LL, FO7 | Bal. 1000, 2 flat step, 30° , ANSI  |
| 559        | DAA402ZL114 | Handrail guide, passenger side, LL, FO7 | Bal. 1000, 3 flat step, 30° , ANSI  |

**508NCE/512NCE/515NPE-  
S/515NPE-L Escalator  
Balustrade Handrail Guide**

**Spare Parts Leaflet  
57-DAA26228AP**



**508NCE EN/GB/HK/SAA/JIS CODE**  
SEMI-OUTDOOR / OUTDOOR



LOWER LANDING = LL

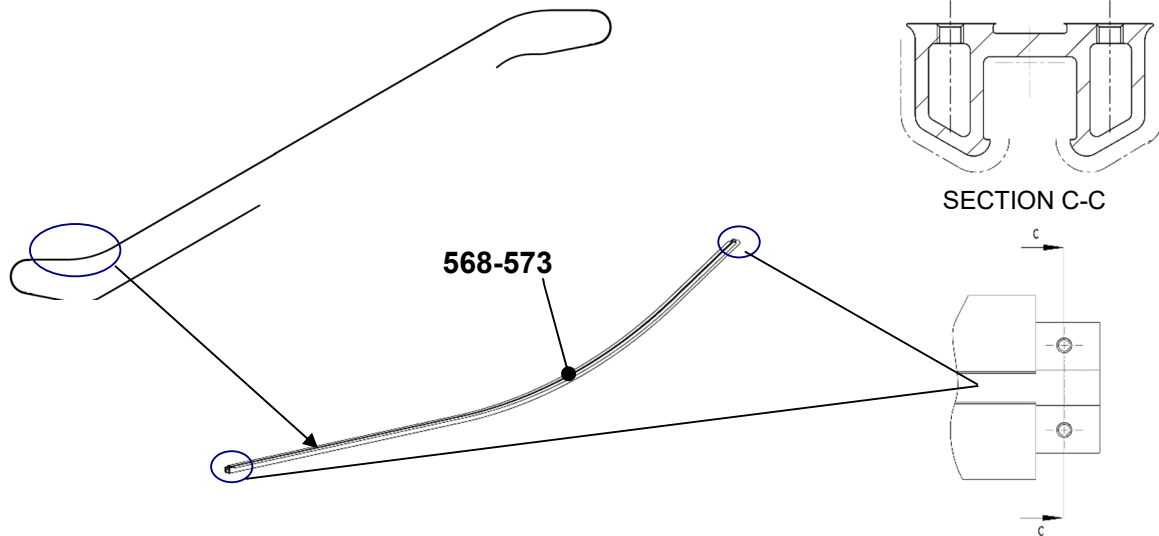
| DAA26228AP |             |  |   |
|------------|-------------|--|---|
| REF. No.   | PART No.    | DESCRIPTION                              |   |
| 560        | DAA402ZL201 | Handrail guide, passenger side, LL, FO10 | Bal. 930, 2 flat step, 30°, EN/GB/HK/SAA                        |
| 561        | DAA402ZL202 | Handrail guide, passenger side, LL, FO10 | Bal. 930, 3 flat step, 30°, EN/GB/HK/SAA                        |
| 562        | DAA402ZL203 | Handrail guide, passenger side, LL, FO10 | Bal. 1000, 2 flat step, 30°, EN/GB/HK/SAA                       |
| 563        | DAA402ZL204 | Handrail guide, passenger side, LL, FO10 | Bal. 1000, 3 flat step, 30°, EN/GB/HK/SAA                       |
| 564        | DAA402ZL205 | Handrail guide, passenger side, LL, FO10 | Bal. 930, 35°, 2 flat step, EN/GB/HK/SAA<br>1.4 flat step, JIS  |
| 565        | DAA402ZL206 | Handrail guide, passenger side, LL, FO10 | Bal. 930, 3 flat step, 35°, EN/GB/HK/SAA                        |
| 566        | DAA402ZL207 | Handrail guide, passenger side, LL, FO10 | Bal. 1000, 35°, 2 flat step, EN/GB/HK/SAA<br>1.4 flat step, JIS |
| 567        | DAA402ZL208 | Handrail guide, passenger side, LL, FO10 | Bal. 1000, 3 flat step, 35°, EN/GB/HK/SAA                       |

**508NCE/512NCE/515NPE-  
S/515NPE-L Escalator  
Balustrade Handrail Guide**

**Spare Parts Leaflet  
57-DAA26228AP**



**508NCE JIS/ANSI CODE  
SEMI-OUTDOOR / OUTDOOR**



**LOWER LANDING = LL**

| <b>DAA26228AP</b> |                 |  |                                     |
|-------------------|-----------------|--|-------------------------------------|
| <b>REF. No.</b>   | <b>PART No.</b> | <b>DESCRIPTION</b>                       |                                     |
| 568               | DAA402ZL209     | Handrail guide, passenger side, LL, FO10 | Bal. 930, 1.4 flat step, 30° , JIS  |
| 569               | DAA402ZL233     | Handrail guide, passenger side, LL, FO10 | Bal. 930, 3 flat step, 30° , JIS    |
| 570               | DAA402ZL210     | Handrail guide, passenger side, LL, FO10 | Bal. 1000, 1.4 flat step, 30° , JIS |
| 571               | DAA402ZL234     | Handrail guide, passenger side, LL, FO10 | Bal. 1000, 3 flat step, 30° , JIS   |
| 572               | DAA402ZL213     | Handrail guide, passenger side, LL, FO10 | Bal. 1000, 2 flat step, 30° , ANSI  |
| 573               | DAA402ZL214     | Handrail guide, passenger side, LL, FO10 | Bal. 1000, 3 flat step, 30° , ANSI  |

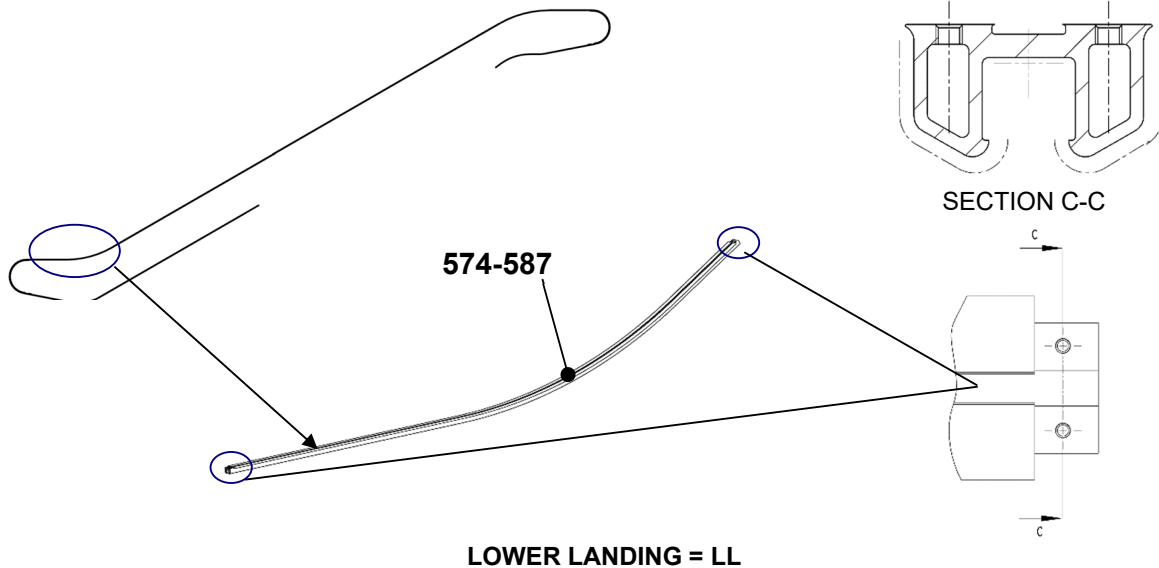
**508NCE/512NCE/515NPE-S/515NPE-L Escalator Balustrade Handrail Guide**

**Spare Parts Leaflet  
57-DAA26228AP**



**515NPE-S EN/GB/HK/SAA/JIS CODE & 512NCE ANSI CODE**

INDOOR



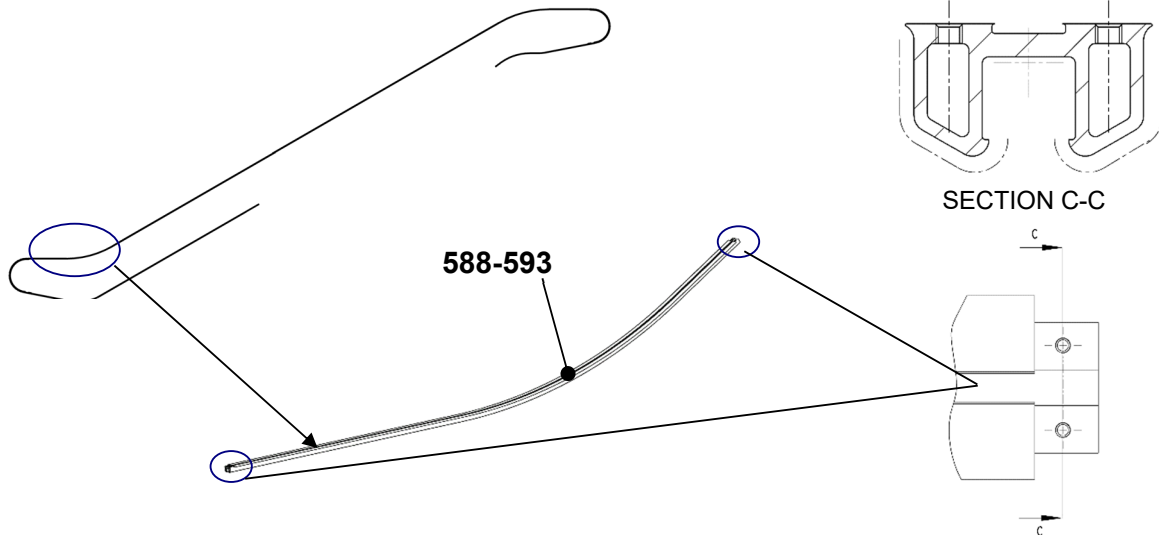
| DAA26228AP |            |                                    |   |
|------------|------------|------------------------------------|---|
| REF. No.   | PART No.   | DESCRIPTION                        |   |
| 574        | DAA402ZL37 | Handrail guide, passenger side, LL | Bal. 930, 2 flat step, 30°, EN/GB/HK/SAA/JIS  |
| 575        | DAA402ZL38 | Handrail guide, passenger side, LL | Bal. 930, 3 flat step, 30°, EN/GB/HK/SAA/JIS  |
| 576        | DAA402ZL39 | Handrail guide, passenger side, LL | Bal. 930, 4 flat step, 30°, EN/GB/HK/SAA/JIS  |
| 577        | DAA402ZL40 | Handrail guide, passenger side, LL | Bal. 1000, 2 flat step, 30°, EN/GB/HK/SAA/JIS |
| 578        | DAA402ZL41 | Handrail guide, passenger side, LL | Bal. 1000, 3 flat step, 30°, EN/GB/HK/SAA/JIS |
| 579        | DAA402ZL42 | Handrail guide, passenger side, LL | Bal. 1000, 4 flat step, 30°, EN/GB/HK/SAA/JIS |
| 580        | DAA402ZL43 | Handrail guide, passenger side, LL | Bal. 930, 2 flat step, 35°, EN/GB/HK/SAA/JIS  |
| 581        | DAA402ZL44 | Handrail guide, passenger side, LL | Bal. 930, 3 flat step, 35°, EN/GB/HK/SAA/JIS  |
| 582        | DAA402ZL45 | Handrail guide, passenger side, LL | Bal. 930, 4 flat step, 35°, EN/GB/HK/SAA/JIS  |
| 583        | DAA402ZL46 | Handrail guide, passenger side, LL | Bal. 1000, 2 flat step, 35°, EN/GB/HK/SAA/JIS |
| 584        | DAA402ZL47 | Handrail guide, passenger side, LL | Bal. 1000, 3 flat step, 35°, EN/GB/HK/SAA/JIS |
| 585        | DAA402ZL48 | Handrail guide, passenger side, LL | Bal. 1000, 4 flat step, 35°, EN/GB/HK/SAA/JIS |
| 586        | DAA402ZL35 | Handrail guide, passenger side, LL | Bal. 1000, 2 flat step, 30°, ANSI             |
| 587        | DAA402ZL36 | Handrail guide, passenger side, LL | Bal. 1000, 3 flat step, 30°, ANSI             |

**508NCE/512NCE/515NPE-S/515NPE-L Escalator Balustrade Handrail Guide**

**Spare Parts Leaflet  
57-DAA26228AP**



**515NPE-S EN/GB/HK/SAA/JIS CODE**  
SEMI-OUTDOOR / OUTDOOR



LOWER LANDING = LL

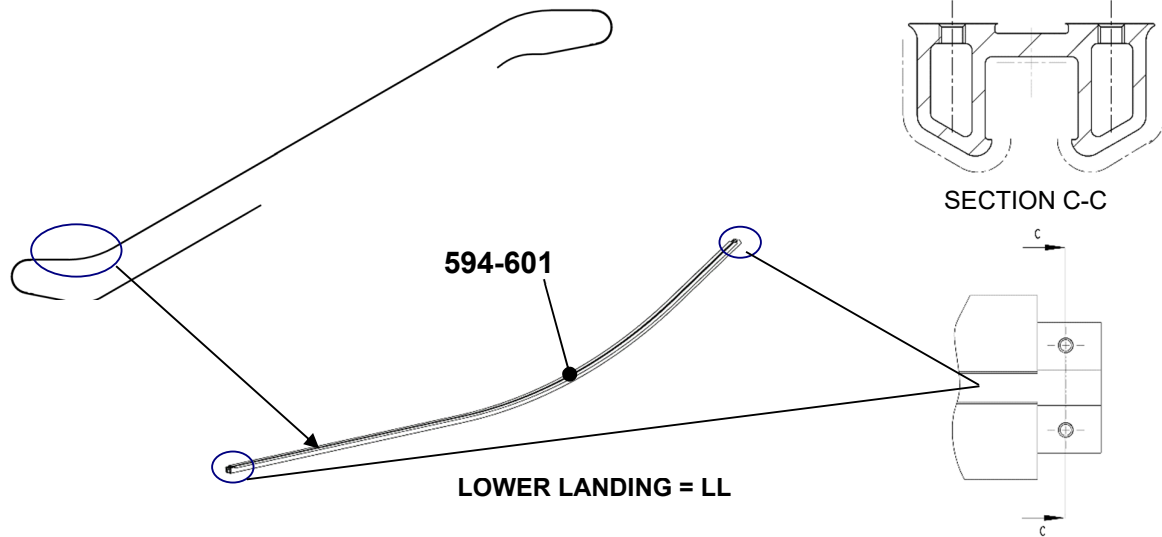
| DAA26228AP |             |   |   |
|------------|-------------|---|---|
| REF. No.   | PART No.    | DESCRIPTION                             |   |
| 588        | DAA402ZL137 | Handrail guide, passenger side, LL, FO7 | Bal. 930, 2 flat step, 30°, EN/GB/HK/SAA/JIS  |
| 589        | DAA402ZL138 | Handrail guide, passenger side, LL, FO7 | Bal. 930, 3 flat step, 30°, EN/GB/HK/SAA/JIS  |
| 590        | DAA402ZL139 | Handrail guide, passenger side, LL, FO7 | Bal. 930, 4 flat step, 30°, EN/GB/HK/SAA/JIS  |
| 591        | DAA402ZL140 | Handrail guide, passenger side, LL, FO7 | Bal. 1000, 2 flat step, 30°, EN/GB/HK/SAA/JIS |
| 592        | DAA402ZL141 | Handrail guide, passenger side, LL, FO7 | Bal. 1000, 3 flat step, 30°, EN/GB/HK/SAA/JIS |
| 593        | DAA402ZL142 | Handrail guide, passenger side, LL, FO7 | Bal. 1000, 4 flat step, 30°, EN/GB/HK/SAA/JIS |

**508NCE/512NCE/515NPE-S/515NPE-L Escalator Balustrade Handrail Guide**

**Spare Parts Leaflet  
57-DAA26228AP**



**515NPE-S EN/GB/HK/SAA/JIS CODE, 512NCE ANSI**  
SEMI-OUTDOOR / OUTDOOR



| DAA26228AP |             |   |   |
|------------|-------------|---|---|
| REF. No.   | PART No.    | DESCRIPTION                             |   |
| 594        | DAA402ZL143 | Handrail guide, passenger side, LL, FO7 | Bal. 930, 2 flat step, 35°, EN/GB/HK/SAA/JIS  |
| 595        | DAA402ZL144 | Handrail guide, passenger side, LL, FO7 | Bal. 930, 3 flat step, 35°, EN/GB/HK/SAA/JIS  |
| 596        | DAA402ZL145 | Handrail guide, passenger side, LL, FO7 | Bal. 930, 4 flat step, 35°, EN/GB/HK/SAA/JIS  |
| 597        | DAA402ZL146 | Handrail guide, passenger side, LL, FO7 | Bal. 1000, 2 flat step, 35°, EN/GB/HK/SAA/JIS |
| 598        | DAA402ZL147 | Handrail guide, passenger side, LL, FO7 | Bal. 1000, 3 flat step, 35°, EN/GB/HK/SAA/JIS |
| 599        | DAA402ZL148 | Handrail guide, passenger side, LL, FO7 | Bal. 1000, 4 flat step, 35°, EN/GB/HK/SAA/JIS |
| 600        | DAA402ZL135 | Handrail guide, passenger side, LL, FO7 | Bal. 1000, 2 flat step, 30°, ANSI             |
| 601        | DAA402ZL136 | Handrail guide, passenger side, LL, FO7 | Bal. 1000, 3 flat step, 30°, ANSI             |

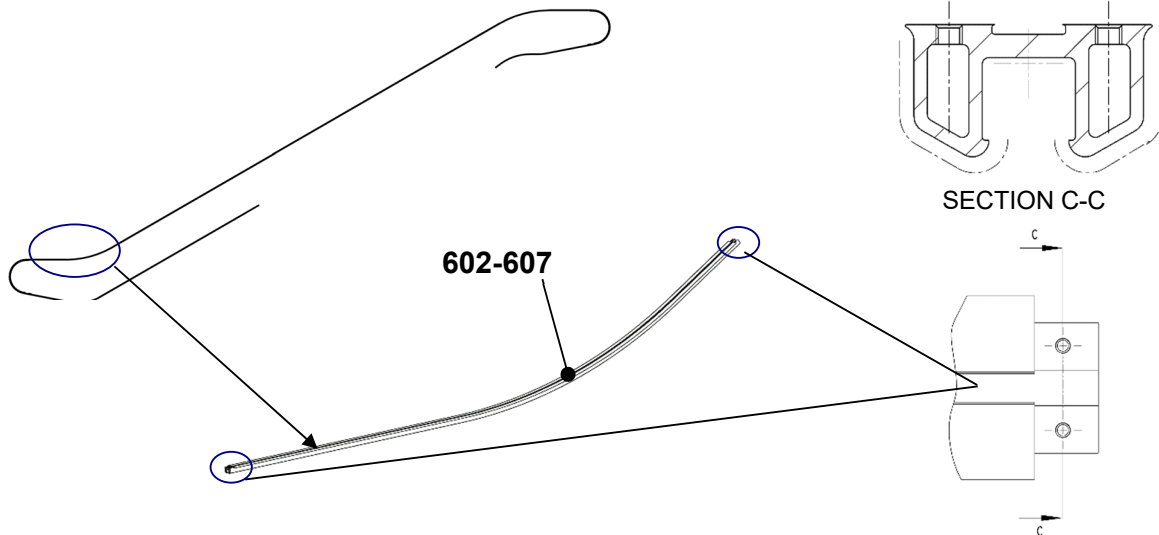


**508NCE/512NCE/515NPE-S/515NPE-L Escalator Balustrade Handrail Guide**

**Spare Parts Leaflet  
57-DAA26228AP**



**515NPE-S EN/GB/HK/SAA/JIS CODE**  
SEMI-OUTDOOR / OUTDOOR



**LOWER LANDING = LL**

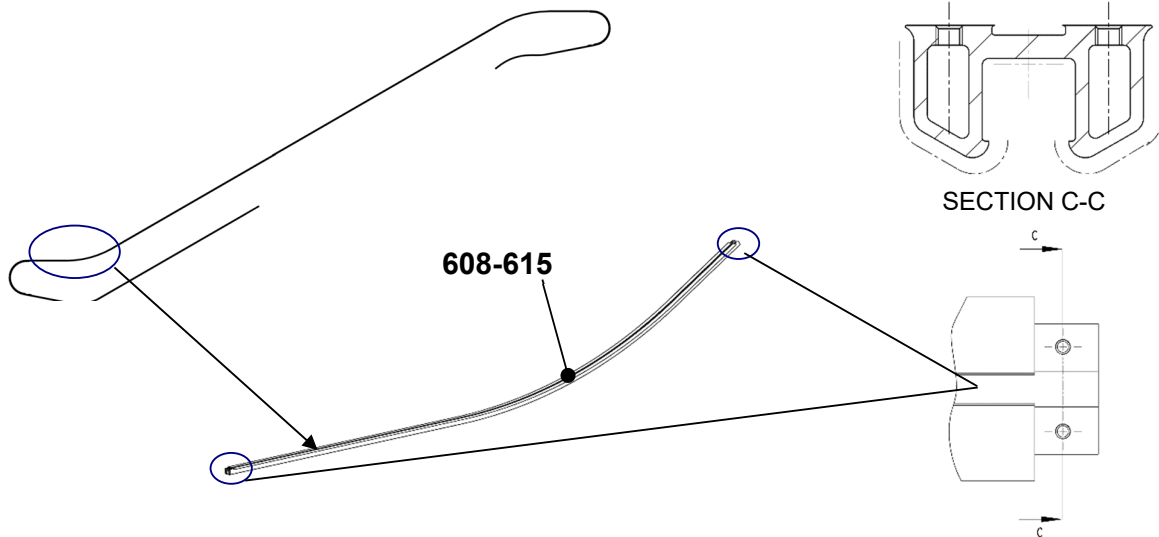
| <b>DAA26228AP</b> |                 |  |   |
|-------------------|-----------------|--|---|
| <b>REF. No.</b>   | <b>PART No.</b> | <b>DESCRIPTION</b>                       |   |
| 602               | DAA402ZL237     | Handrail guide, passenger side, LL, FO10 | Bal. 930, 2 flat step, 30°, EN/GB/HK/SAA/JIS  |
| 603               | DAA402ZL238     | Handrail guide, passenger side, LL, FO10 | Bal. 930, 3 flat step, 30°, EN/GB/HK/SAA/JIS  |
| 604               | DAA402ZL239     | Handrail guide, passenger side, LL, FO10 | Bal. 930, 4 flat step, 30°, EN/GB/HK/SAA/JIS  |
| 605               | DAA402ZL240     | Handrail guide, passenger side, LL, FO10 | Bal. 1000, 2 flat step, 30°, EN/GB/HK/SAA/JIS |
| 606               | DAA402ZL241     | Handrail guide, passenger side, LL, FO10 | Bal. 1000, 3 flat step, 30°, EN/GB/HK/SAA/JIS |
| 607               | DAA402ZL242     | Handrail guide, passenger side, LL, FO10 | Bal. 1000, 4 flat step, 30°, EN/GB/HK/SAA/JIS |

**508NCE/512NCE/515NPE-S/515NPE-L Escalator Balustrade Handrail Guide**

**Spare Parts Leaflet  
57-DAA26228AP**



**515NPE-S EN/GB/HK/SAA/JIS CODE, 512NCE ANSI**  
SEMI-OUTDOOR / OUTDOOR



LOWER LANDING = LL

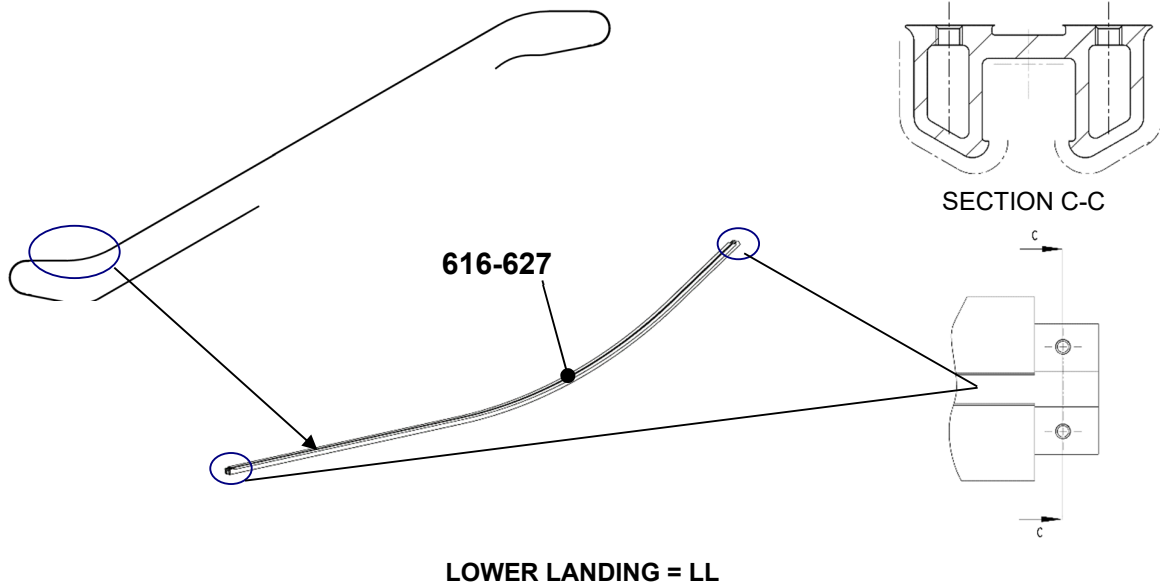
| DAA26228AP |             |  |   |
|------------|-------------|--|---|
| REF. No.   | PART No.    | DESCRIPTION                              |   |
| 608        | DAA402ZL243 | Handrail guide, passenger side, LL, FO10 | Bal. 930, 2 flat step, 35°, EN/GB/HK/SAA/JIS  |
| 609        | DAA402ZL244 | Handrail guide, passenger side, LL, FO10 | Bal. 930, 3 flat step, 35°, EN/GB/HK/SAA/JIS  |
| 610        | DAA402ZL245 | Handrail guide, passenger side, LL, FO10 | Bal. 930, 4 flat step, 35°, EN/GB/HK/SAA/JIS  |
| 611        | DAA402ZL246 | Handrail guide, passenger side, LL, FO10 | Bal. 1000, 2 flat step, 35°, EN/GB/HK/SAA/JIS |
| 612        | DAA402ZL247 | Handrail guide, passenger side, LL, FO10 | Bal. 1000, 3 flat step, 35°, EN/GB/HK/SAA/JIS |
| 613        | DAA402ZL248 | Handrail guide, passenger side, LL, FO10 | Bal. 1000, 4 flat step, 35°, EN/GB/HK/SAA/JIS |
| 614        | DAA402ZL235 | Handrail guide, passenger side, LL, FO10 | Bal. 1000, 2 flat step, 30°, ANSI             |
| 615        | DAA402ZL236 | Handrail guide, passenger side, LL, FO10 | Bal. 1000, 3 flat step, 30°, ANSI             |

**508NCE/512NCE/515NPE-  
S/515NPE-L Escalator  
Balustrade Handrail Guide**

**Spare Parts Leaflet  
57-DAA26228AP**



**515NPE-L EN/GB/HK/SAA CODE**  
INDOOR



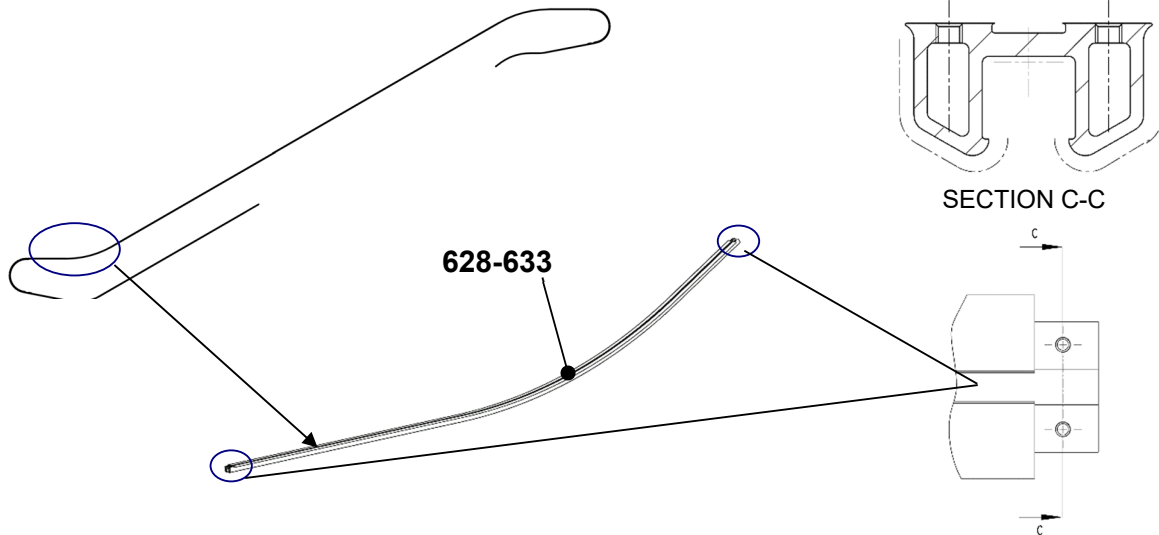
| <b>DAA26228AP</b> |                 |                                    |                             |
|-------------------|-----------------|------------------------------------|-----------------------------|
| <b>REF. No.</b>   | <b>PART No.</b> | <b>DESCRIPTION</b>                 |                             |
| 616               | DAA402ZL21      | Handrail guide, passenger side, LL | Bal. 930, 2 flat step, 30°  |
| 617               | DAA402ZL22      | Handrail guide, passenger side, LL | Bal. 930, 3 flat step, 30°  |
| 618               | DAA402ZL23      | Handrail guide, passenger side, LL | Bal. 930, 4 flat step, 30°  |
| 619               | DAA402ZL24      | Handrail guide, passenger side, LL | Bal. 1000, 2 flat step, 30° |
| 620               | DAA402ZL25      | Handrail guide, passenger side, LL | Bal. 1000, 3 flat step, 30° |
| 621               | DAA402ZL26      | Handrail guide, passenger side, LL | Bal. 1000, 4 flat step, 30° |
| 622               | DAA402ZL27      | Handrail guide, passenger side, LL | Bal. 930, 2 flat step, 35°  |
| 623               | DAA402ZL28      | Handrail guide, passenger side, LL | Bal. 930, 3 flat step, 35°  |
| 624               | DAA402ZL29      | Handrail guide, passenger side, LL | Bal. 930, 4 flat step, 35°  |
| 625               | DAA402ZL30      | Handrail guide, passenger side, LL | Bal. 1000, 2 flat step, 35° |
| 626               | DAA402ZL31      | Handrail guide, passenger side, LL | Bal. 1000, 3 flat step, 35° |
| 627               | DAA402ZL32      | Handrail guide, passenger side, LL | Bal. 1000, 4 flat step, 35° |

**508NCE/512NCE/515NPE-  
S/515NPE-L Escalator  
Balustrade Handrail Guide**

**Spare Parts Leaflet  
57-DAA26228AP**



**515NPE-L EN/GB/HK/SAA CODE  
INDOOR**



LOWER LANDING = LL

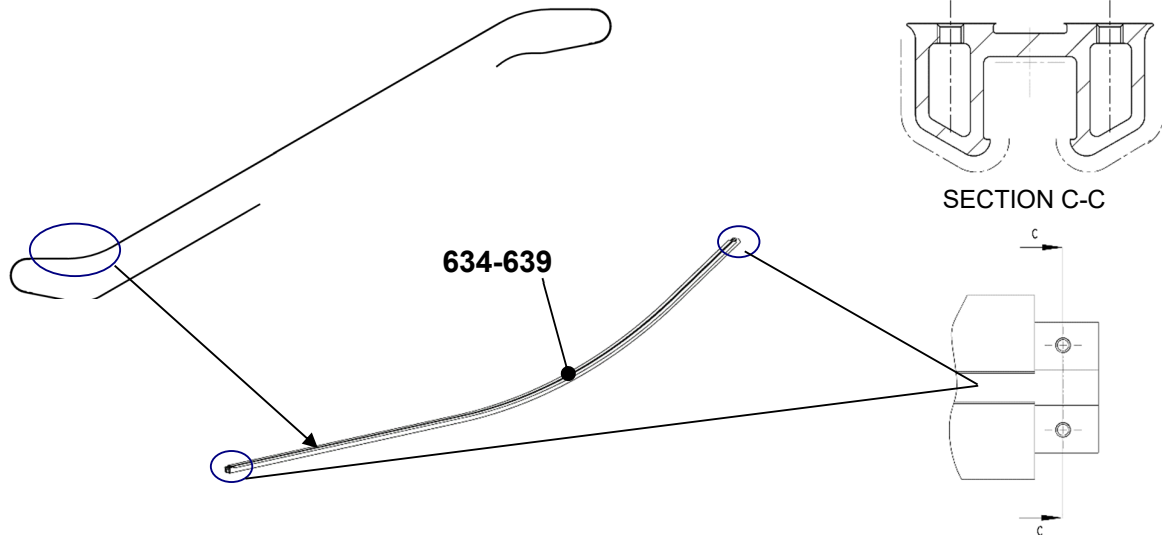
| DAA26228AP |             |   |                             |
|------------|-------------|---|-----------------------------|
| REF. No.   | PART No.    | DESCRIPTION                             |                             |
| 628        | DAA402ZL121 | Handrail guide, passenger side, LL, FO7 | Bal. 930, 2 flat step, 30°  |
| 629        | DAA402ZL122 | Handrail guide, passenger side, LL, FO7 | Bal. 930, 3 flat step, 30°  |
| 630        | DAA402ZL123 | Handrail guide, passenger side, LL, FO7 | Bal. 930, 4 flat step, 30°  |
| 631        | DAA402ZL124 | Handrail guide, passenger side, LL, FO7 | Bal. 1000, 2 flat step, 30° |
| 632        | DAA402ZL125 | Handrail guide, passenger side, LL, FO7 | Bal. 1000, 3 flat step, 30° |
| 633        | DAA402ZL126 | Handrail guide, passenger side, LL, FO7 | Bal. 1000, 4 flat step, 30° |

**508NCE/512NCE/515NPE-S/515NPE-L Escalator  
Balustrade Handrail Guide**

**Spare Parts Leaflet  
57-DAA26228AP**



**515NPE-L EN/GB/HK/SAA CODE  
INDOOR**



**LOWER LANDING = LL**

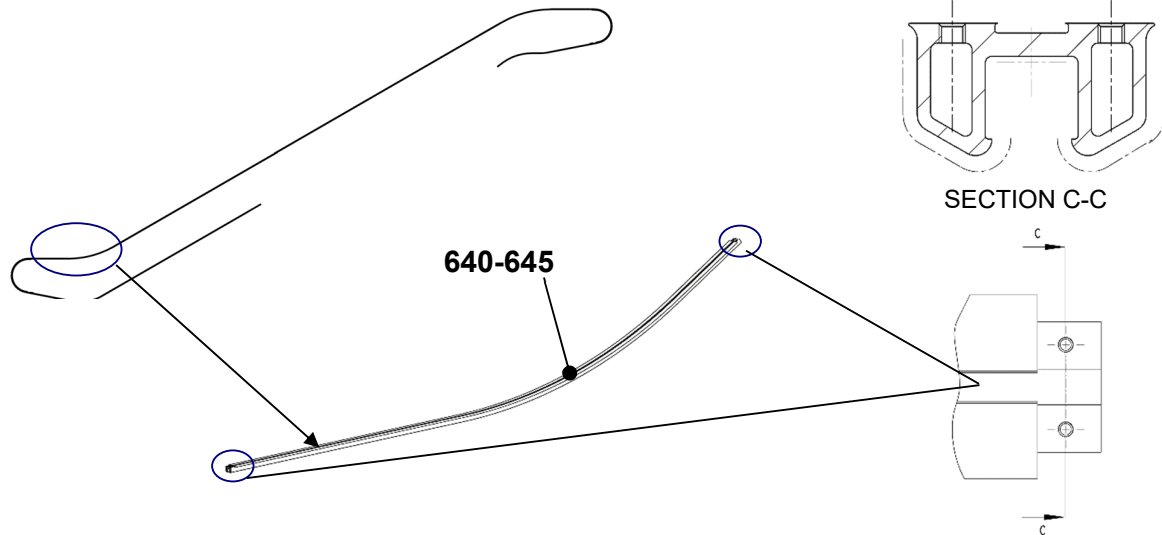
| <b>DAA26228AP</b> |                 |   |                             |
|-------------------|-----------------|---|-----------------------------|
| <b>REF. No.</b>   | <b>PART No.</b> | <b>DESCRIPTION</b>                      |                             |
| 634               | DAA402ZL127     | Handrail guide, passenger side, LL, FO7 | Bal. 930, 2 flat step, 35°  |
| 635               | DAA402ZL128     | Handrail guide, passenger side, LL, FO7 | Bal. 930, 3 flat step, 35°  |
| 636               | DAA402ZL129     | Handrail guide, passenger side, LL, FO7 | Bal. 930, 4 flat step, 35°  |
| 637               | DAA402ZL130     | Handrail guide, passenger side, LL, FO7 | Bal. 1000, 2 flat step, 35° |
| 638               | DAA402ZL131     | Handrail guide, passenger side, LL, FO7 | Bal. 1000, 3 flat step, 35° |
| 639               | DAA402ZL132     | Handrail guide, passenger side, LL, FO7 | Bal. 1000, 4 flat step, 35° |

**508NCE/512NCE/515NPE-  
S/515NPE-L Escalator  
Balustrade Handrail Guide**

**Spare Parts Leaflet  
57-DAA26228AP**



**515NPE-L EN/GB/HK/SAA CODE**  
SEMI-OUTDOOR / OUTDOOR



LOWER LANDING = LL

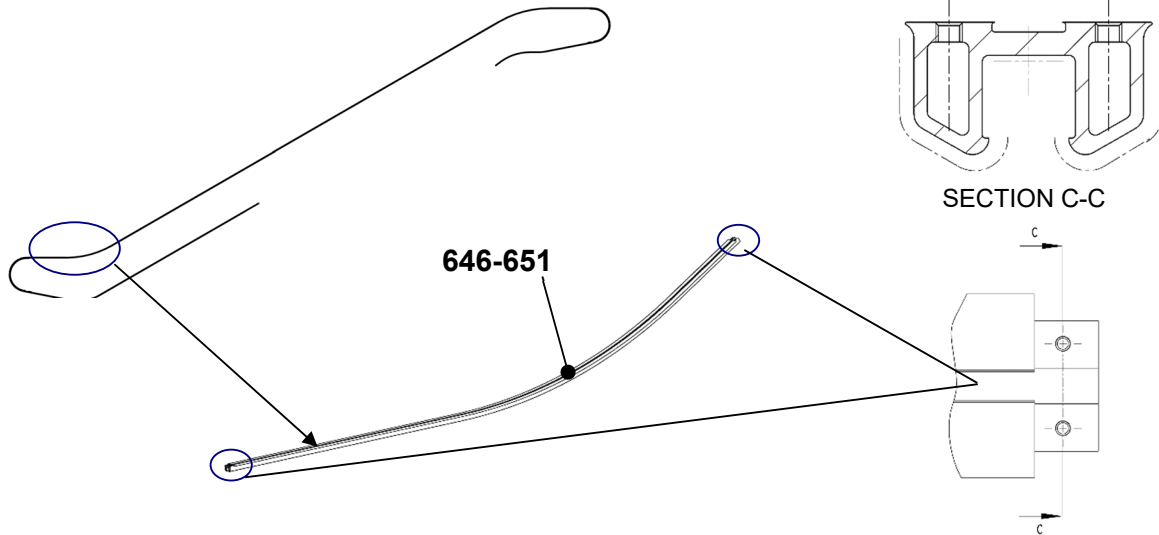
| DAA26228AP |             |  |                             |
|------------|-------------|--|-----------------------------|
| REF. No.   | PART No.    | DESCRIPTION                              |                             |
| 640        | DAA402ZL221 | Handrail guide, passenger side, LL, FO10 | Bal. 930, 2 flat step, 30°  |
| 641        | DAA402ZL222 | Handrail guide, passenger side, LL, FO10 | Bal. 930, 3 flat step, 30°  |
| 642        | DAA402ZL223 | Handrail guide, passenger side, LL, FO10 | Bal. 930, 4 flat step, 30°  |
| 643        | DAA402ZL224 | Handrail guide, passenger side, LL, FO10 | Bal. 1000, 2 flat step, 30° |
| 644        | DAA402ZL225 | Handrail guide, passenger side, LL, FO10 | Bal. 1000, 3 flat step, 30° |
| 645        | DAA402ZL226 | Handrail guide, passenger side, LL, FO10 | Bal. 1000, 4 flat step, 30° |

**508NCE/512NCE/515NPE-  
S/515NPE-L Escalator  
Balustrade Handrail Guide**

**Spare Parts Leaflet  
57-DAA26228AP**



**515NPE-L EN/GB/HK/SAA CODE  
SEMI-OUTDOOR / OUTDOOR**

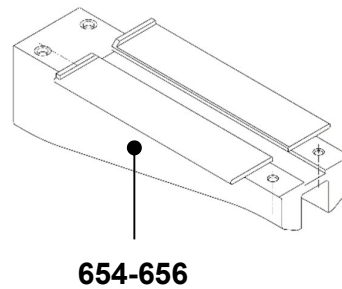
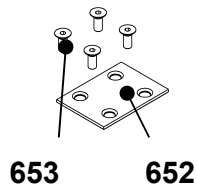


LOWER LANDING = LL

| DAA26228AP |             |  |                             |
|------------|-------------|--|-----------------------------|
| REF. No.   | PART No.    | DESCRIPTION                              |                             |
| 646        | DAA402ZL227 | Handrail guide, passenger side, LL, FO10 | Bal. 930, 2 flat step, 35°  |
| 647        | DAA402ZL228 | Handrail guide, passenger side, LL, FO10 | Bal. 930, 3 flat step, 35°  |
| 648        | DAA402ZL229 | Handrail guide, passenger side, LL, FO10 | Bal. 930, 4 flat step, 35°  |
| 649        | DAA402ZL230 | Handrail guide, passenger side, LL, FO10 | Bal. 1000, 2 flat step, 35° |
| 650        | DAA402ZL231 | Handrail guide, passenger side, LL, FO10 | Bal. 1000, 3 flat step, 35° |
| 651        | DAA402ZL232 | Handrail guide, passenger side, LL, FO10 | Bal. 1000, 4 flat step, 35° |

**508NCE/512NCE/515NPE-  
S/515NPE-L Escalator  
Balustrade Handrail Guide**

**Spare Parts Leaflet  
57-DAA26228AP**



| DAA26228AP |                    |  |
|------------|--------------------|--|
| REF. No.   | PART No.           | DESCRIPTION                                  |
| 652        | DAA386CTW1         | Plate  |
| 653        | GB70.2/M4X10-A2-70 | Hex. socket button head screw                |
| 654        | DAA402JL2          | Transition piece, indoor                     |
| 655        | DAA402JL13         | Transition piece, FO7, indoor                |
| 656        | DAA402JL14         | Transition piece, FO10, semi-outdoor/outdoor |