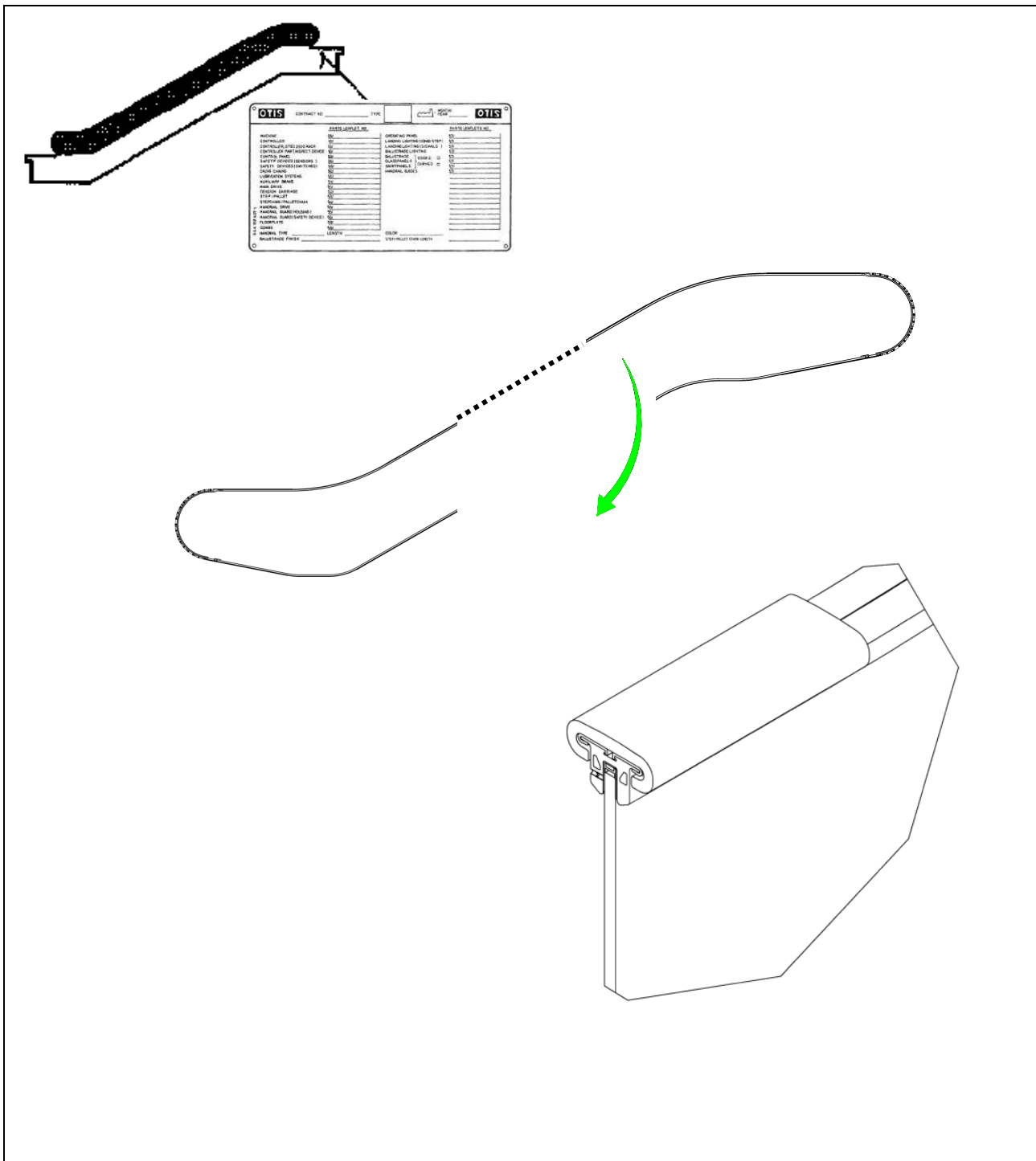


508NCE/512NCE/515NPE-S/ 515NPE-L/LINK V2.8 ESCALATOR Handrail Guide w/ Illumination

Spare Parts Leaflet 57-DAA26228BJ

Mar. 31, 2017 / Page 1 of 53



OTIS

ESCALATOR ENGINEERING
Otis Elevator Company
SIT-GZ, Guangzhou China

Leaflet Description

Balustrade Handrail Guide with illumination for indoor only

Leaflet Revisions

Date Revised	Subject Matter Expert	Reason for Revision
July 21, 2008	Ye, Ke	Original document
May 18, 2009	Ye, Ke	Update to cover ANSI, product name LINK A/C changed to 508NCE/515NPE-L, add parts for 512NCE/515NPE-S, and remove return side parts (return side handrail guide parts see DAA26228AP_SPL).
Feb. 06, 2015	Wu, Muke	An illustration is added and DAA50ARZ1 is corrected to GAA50ARZ1 on P3. GAA402CLY1 is recovered on P5. DAA180JM1 and DAA402JL1 are deleted, DAA180JM2 is added on P6.
Mar. 15, 2016	Yang Xiong	1. Add description "w/o illumination" to GAA50AFW on P3. 2. Add new designed H.R. guidance parts on P26-45. 3. Add LED strip and cable parts on P46-47. 4. Update original H.R. guidance as per the updated ODS and add section illustrations on P8-25.
Feb. 28, 2017	Ling Sihua	1. Delete Ref. No. 3a on P3 & Ref. No. 318-328 on P46-47. 2. Add Ref. No. 329-362 on P48-52. 3. ODS DAA27076GV is changed to DAA27076WE.
Mar. 31, 2017	Wu Muke	1. Ref. no. 3b ISO4026pM4X6-45H-Z added.
April.28,2018	Hualin. Chen	Update part number of newel profile on page 6

Related Drawings

Drawing No.	Title	Drawing No.	Title
DAA26228BJ	Handrail Guidance		

Related Documents

Document ID	Title
ODS DAA27076CY	Handrail Guidance
ODS DAA27076WE	Balustrade Illumination

Subject Matter Expert

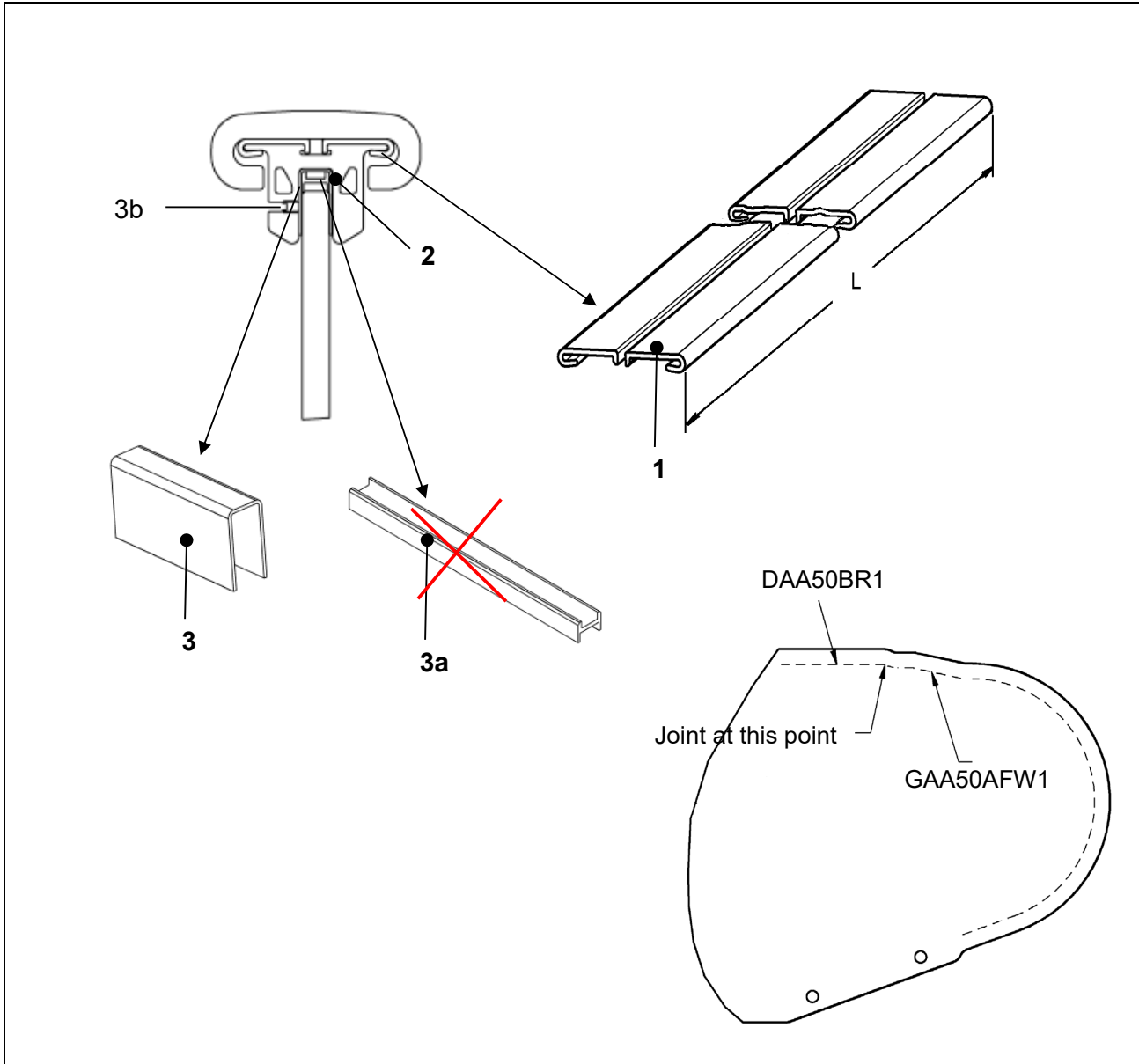
Name	Department
Wu Muke	SIT-GUANGZHOU

About Spare Parts Leaflets...

This document lists the lowest replaceable units (LRUs) for the standard version of the product. The LRUs are chosen by a team of Otis associates representing engineering and manufacturing. While goal of this document is to make parts identification as easy as possible, the document cannot be all-inclusive. Elevator and escalator contracts classified as "special" or "custom" are not addressed here. For such contracts, please refer to specified information, the contract folder, TIPs, Field Education Articles, Construction Letters, etc. for further information. If you have any suggestions about this document, please contact the subject matter expert listed on this page.

**508NCE/512NCE/515NPE-S/
515NPE-L/LINK V2.8 ESCALATOR
Handrail Guide w/ Illumination**

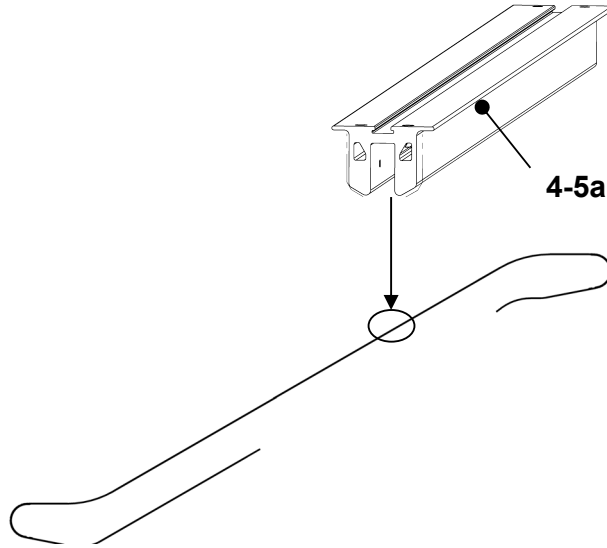
**Spare Parts Leaflet
57-DAA26228BJ**



REF. No.	PART No.	DESCRIPTION
1	DAA50NPK1	Plastic profile L=6000mm
2	GAA50AFW1	PVC Profile, black, (w/o illumination)
3	DAA50BR1	Profile
3a	GAA50ARZ1	Profile
3b	---	ISO4026M4X6-45H-Z

**508NCE/512NCE/515NPE-S/
515NPE-L/LINK V2.8 ESCALATOR
Handrail Guide w/ Illumination**

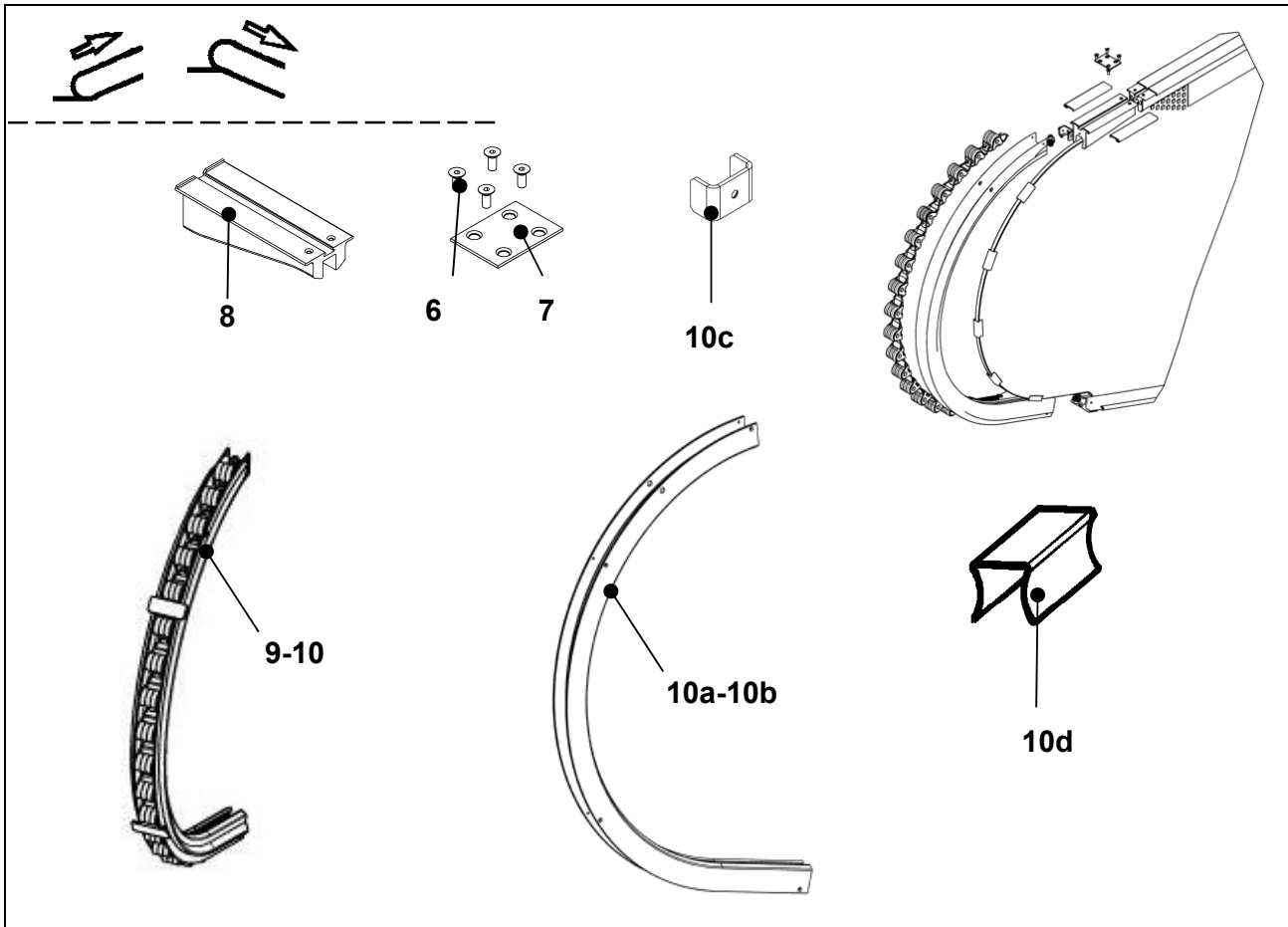
**Spare Parts Leaflet
57-DAA26228BJ**



REF. No.	PART No.	DESCRIPTION
	DAA26228BJ	
4	DAA402FY1	Handrail guide, passenger side, inclined section, L = 6000 mm
5	DAA402FY-V1	Handrail guide, passenger side, inclined section, Length per spec.
5a	DAA402FY-V2	Handrail guide, passenger side, inclined section, Length per spec.

**508NCE/512NCE/515NPE-S/
515NPE-L/LINK V2.8 ESCALATOR
Handrail Guide w/ Illumination**

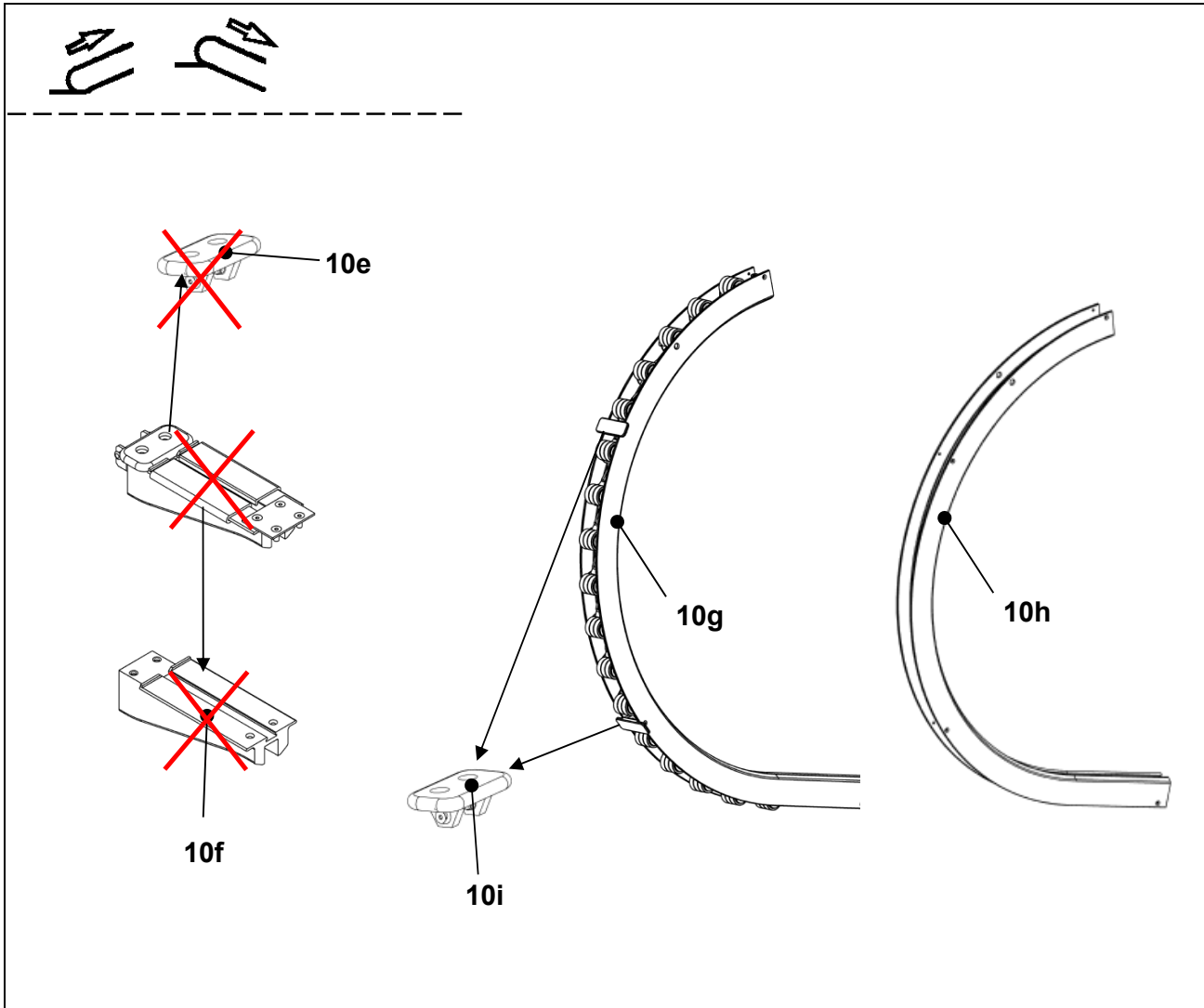
**Spare Parts Leaflet
57-DAA26228BJ**



DAA26228BJ		
REF. No.	PART No.	DESCRIPTION
6	ISO10642/M4X10-A2	Recessed Countersunk Head Screw
7	GAA386EAK1	Plate
8	GAA402CLY1	Transition piece
9	DAA402CR1	Roller bearing newel, BAL. 1000, for EN/HK/SAA/JIS
10	DAA402CR2	Roller bearing newel, BAL. 930, for EN/HK/SAA/JIS
10a	DAA402CB1	Newel profile, BAL. 1000, for EN/HK/SAA/JIS
	DAA402JM1	
10b	DAA402CB2	Newel profile, BAL. 930, for EN/HK/SAA/JIS
	DAA402JM2	
10c	GAA347ZM1	Bracket
10d	GAA94AV1	Spring Clip

**508NCE/512NCE/515NPE-S/
515NPE-L/LINK V2.8 ESCALATOR
Handrail Guide w/ Illumination**

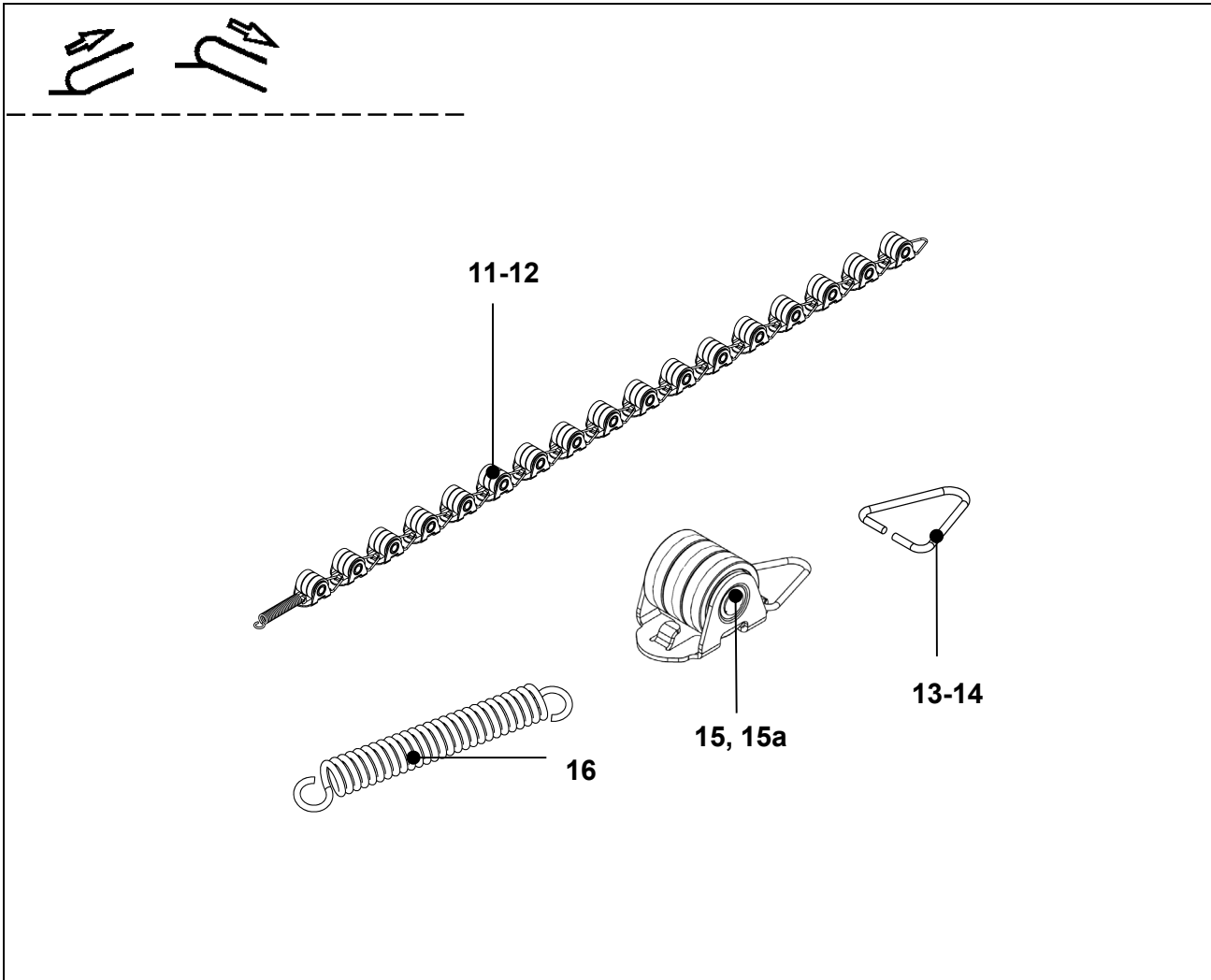
**Spare Parts Leaflet
57-DAA26228BJ**



DAA26228BJ		
REF. No.	PART No.	DESCRIPTION
40e	DAA180JM1	Holder
40f	DAA402JL1	Transition piece
10g	DAA402CR3	Roller bearing newel profile, BAL. 1000, for ANSI
10h	DAA402JM1	Newel profile, BAL. 1000, for ANSI
10i	DAA180JM2	Holder

**508NCE/512NCE/515NPE-S/
515NPE-L/LINK V2.8 ESCALATOR
Handrail Guide w/ Illumination**

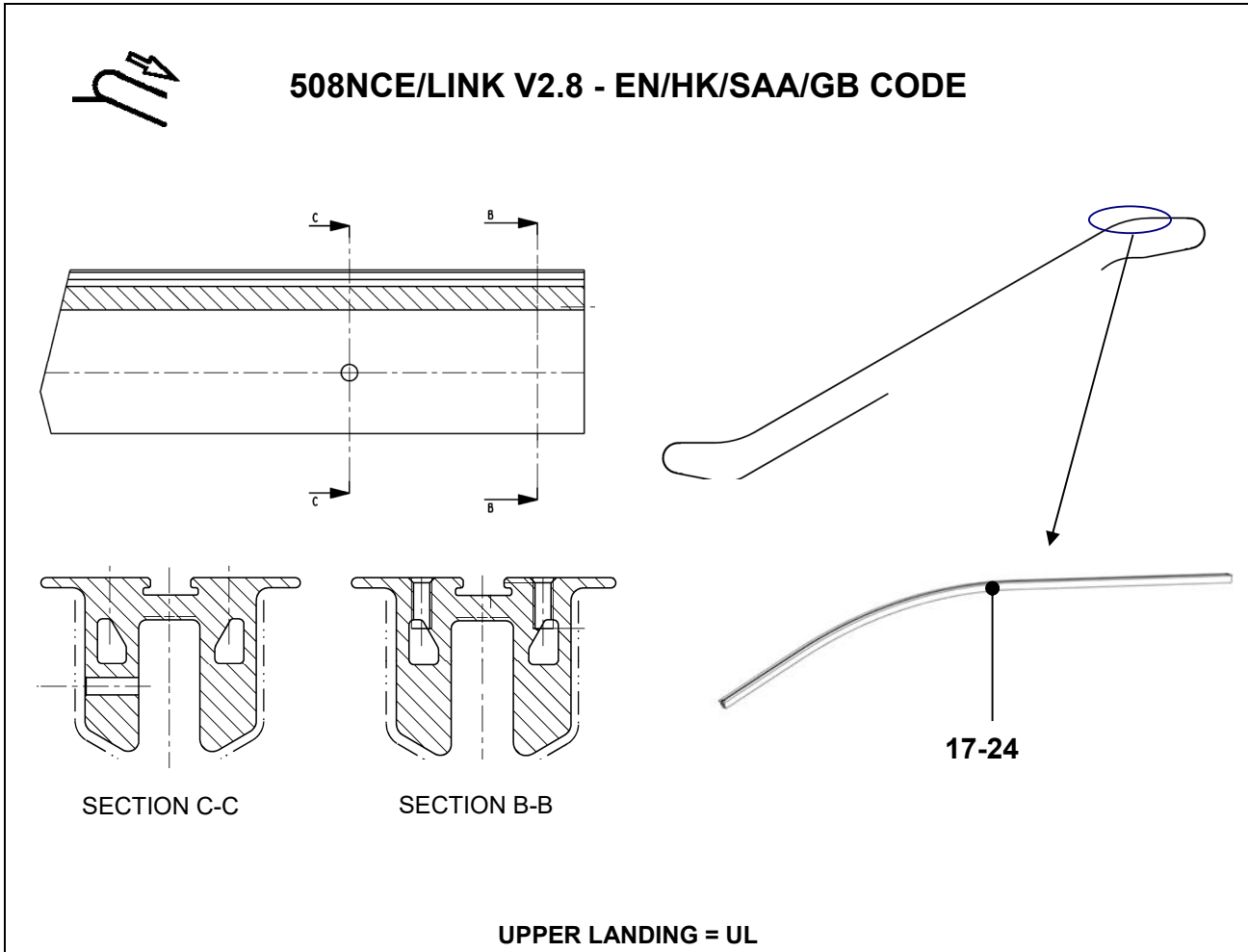
**Spare Parts Leaflet
57-DAA26228BJ**



DAA26228BJ		
REF. No.	PART No.	DESCRIPTION
11	DAA332N1	Roller bearing newel, Glass BAL. 1000
12	DAA332N2	Roller bearing newel, Glass BAL. 930
13	DAA94C1	Triangle spring, BAL. 1000
14	DAA94C2	Triangle spring, BAL. 930
15	DAA456S1	Roller, BAL. 1000
15a	DAA456S2	Roller, BAL. 930
16	DAA91C1	Spring

**508NCE/512NCE/515NPE-S/
515NPE-L/LINK V2.8 ESCALATOR
Handrail Guide w/ Illumination**

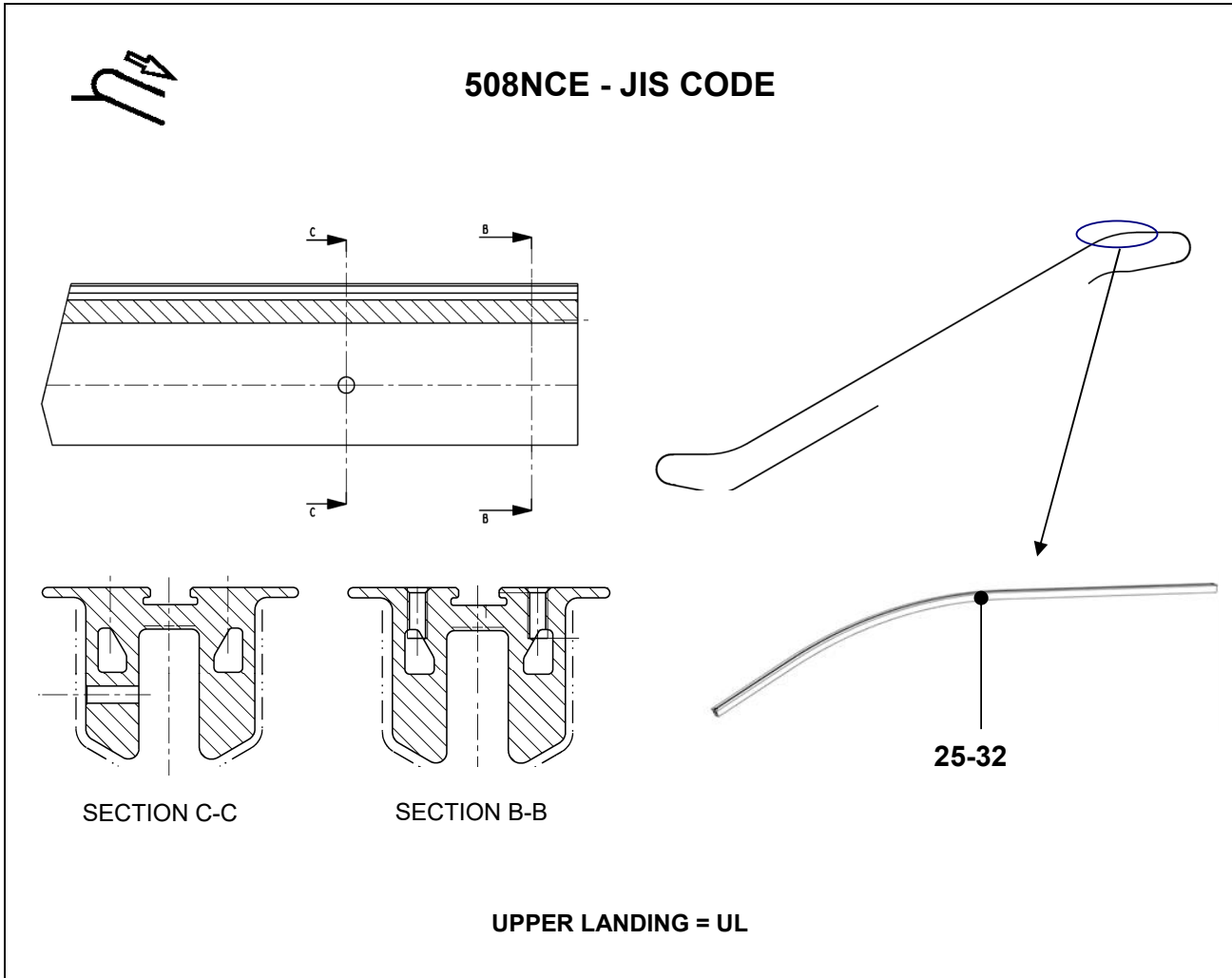
**Spare Parts Leaflet
57-DAA26228BJ**



DAA26228BJ			
REF. No.	PART No.	DESCRIPTION	
17	DAA402FW1	Handrail guide, passenger side, left side, UL	Bal. 930, 2 flat step, 30°
18	DAA402FW2	Handrail guide, passenger side, right side, UL	
19	DAA402FW3	Handrail guide, passenger side, left side, UL	Bal. 930, 3 flat step, 30°
20	DAA402FW4	Handrail guide, passenger side, right side, UL	
21	DAA402FW5	Handrail guide, passenger side, left side, UL	Bal. 1000, 2 flat step, 30°
22	DAA402FW6	Handrail guide, passenger side, right side, UL	
23	DAA402FW7	Handrail guide, passenger side, left side, UL	Bal. 1000, 3 flat step, 30°
24	DAA402FW8	Handrail guide, passenger side, right side, UL	

**508NCE/512NCE/515NPE-S/
515NPE-L/LINK V2.8 ESCALATOR
Handrail Guide w/ Illumination**

**Spare Parts Leaflet
57-DAA26228BJ**



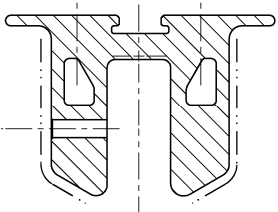
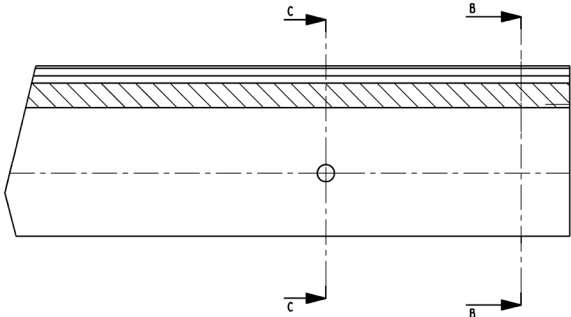
DAA26228BJ			
REF. No.	PART No.	DESCRIPTION	
25	DAA402FW17	Handrail guide, passenger side, left side, UL	Bal. 930, 1.5 flat step, 30°
26	DAA402FW18	Handrail guide, passenger side, right side, UL	
27	DAA402FW19	Handrail guide, passenger side, left side, UL	Bal. 930, 3 flat step, 30°
28	DAA402FW20	Handrail guide, passenger side, right side, UL	
29	DAA402FW21	Handrail guide, passenger side, left side, UL	Bal. 1000, 1.5 flat step, 30°
30	DAA402FW22	Handrail guide, passenger side, right side, UL	
31	DAA402FW23	Handrail guide, passenger side, left side, UL	Bal. 1000, 3 flat step, 30°
32	DAA402FW24	Handrail guide, passenger side, right side, UL	

**508NCE/512NCE/515NPE-S/
515NPE-L/LINK V2.8 ESCALATOR
Handrail Guide w/ Illumination**

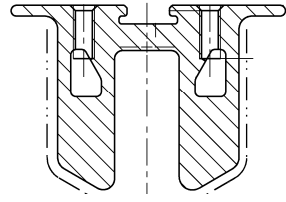
**Spare Parts Leaflet
57-DAA26228BJ**



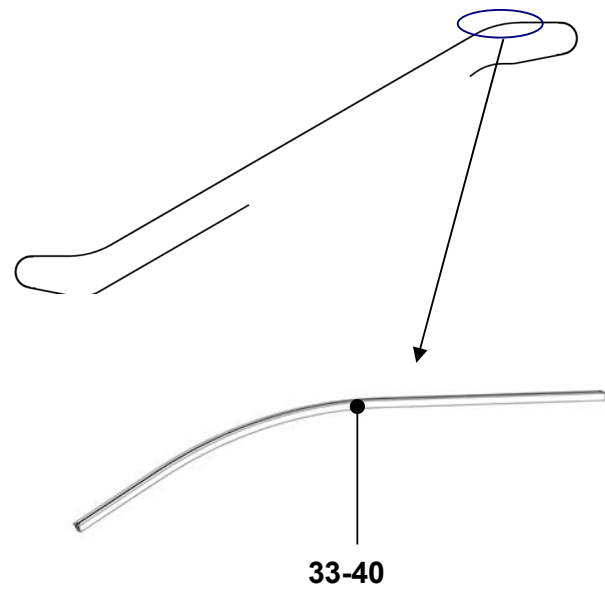
508NCE/LINK V2.8 - EN/HK/SAA/JIS/GB CODE



SECTION C-C



SECTION B-B



UPPER LANDING = UL

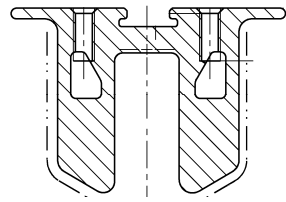
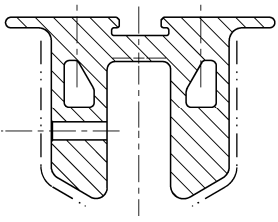
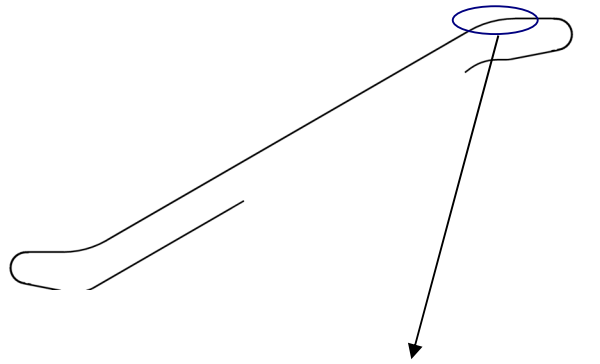
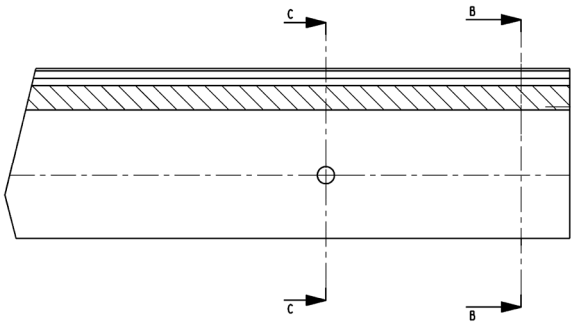
DAA26228BJ			
REF. No.	PART No.	DESCRIPTION	
33	DAA402FW9	Handrail guide, passenger side, left side, UL	Bal. 930, 2 flat step, 35°
34	DAA402FW10	Handrail guide, passenger side, right side, UL	(For JIS, 1.5 flat step)
35	DAA402FW11	Handrail guide, passenger side, left side, UL	Bal. 930, 3 flat step, 35°
36	DAA402FW12	Handrail guide, passenger side, right side, UL	
37	DAA402FW13	Handrail guide, passenger side, left side, UL	Bal. 1000, 2 flat step, 35° (For JIS, 1.5 flat step)
38	DAA402FW14	Handrail guide, passenger side, right side, UL	
39	DAA402FW15	Handrail guide, passenger side, left side, UL	Bal. 1000, 3 flat step, 35°
40	DAA402FW16	Handrail guide, passenger side, right side, UL	

**508NCE/512NCE/515NPE-S/
515NPE-L/LINK V2.8 ESCALATOR
Handrail Guide w/ Illumination**

**Spare Parts Leaflet
57-DAA26228BJ**

74

508NCE – ANSI CODE



SECTION C-C

SECTION B-B

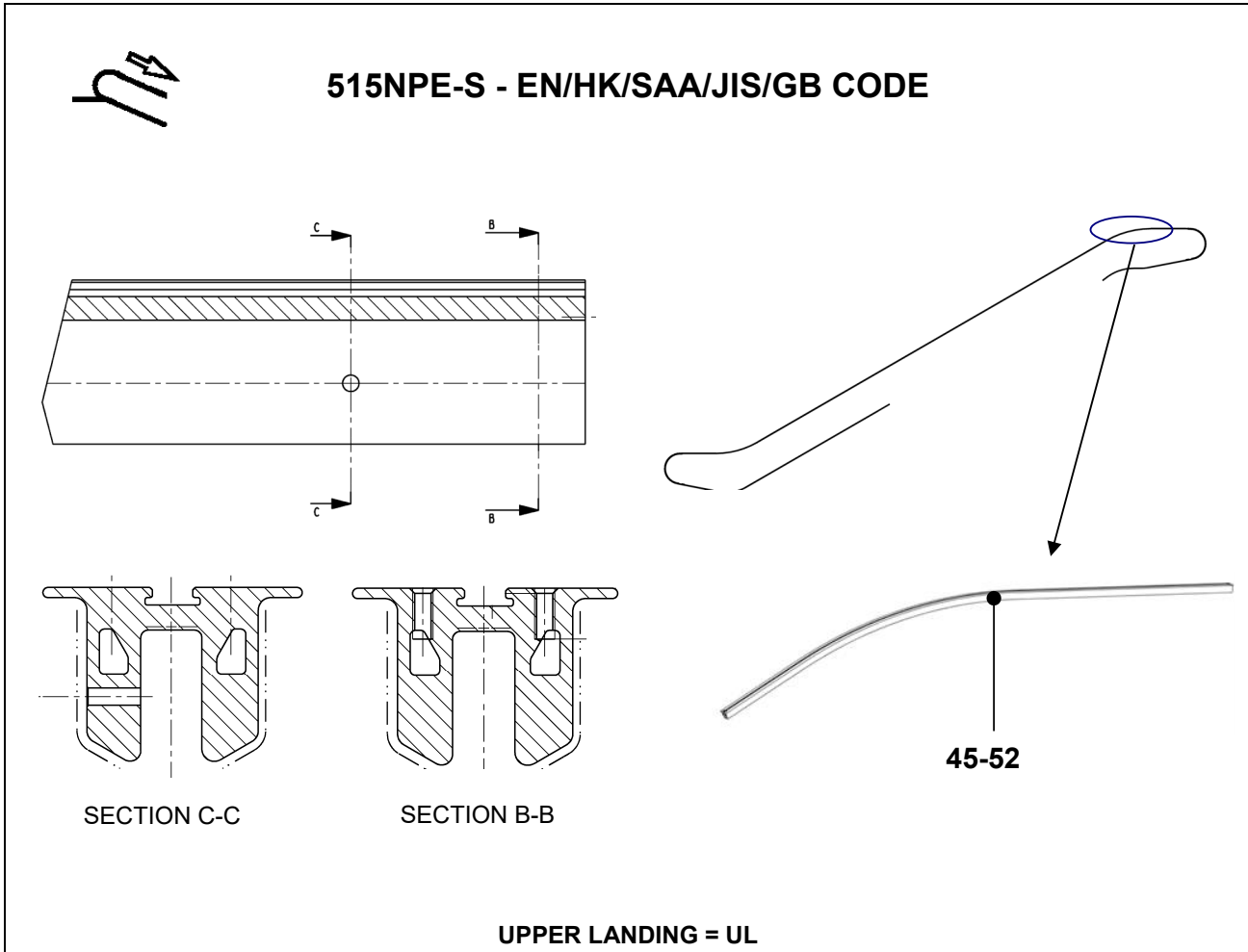
41-44

UPPER LANDING = UL

DAA26228BJ			
REF. No.	PART No.	DESCRIPTION	
41	DAA402FW65	Handrail guide, passenger side, left side, UL	Bal. 1000, 2 flat step, 30°
42	DAA402FW66	Handrail guide, passenger side, right side, UL	
43	DAA402FW67	Handrail guide, passenger side, left side, UL	Bal. 1000, 3 flat step, 30°
44	DAA402FW68	Handrail guide, passenger side, right side, UL	

**508NCE/512NCE/515NPE-S/
515NPE-L/LINK V2.8 ESCALATOR
Handrail Guide w/ Illumination**

**Spare Parts Leaflet
57-DAA26228BJ**



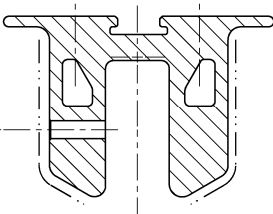
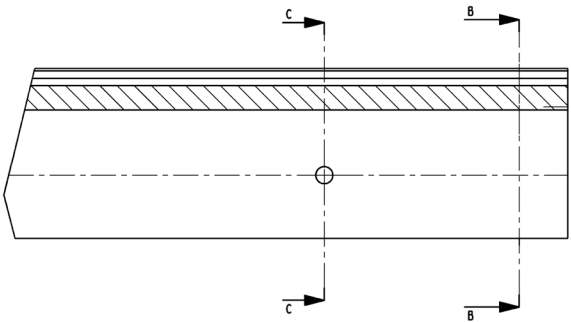
DAA26228BJ			
REF. No.	PART No.	DESCRIPTION	
45	DAA402FW25	Handrail guide, passenger side, left side, UL	Bal. 930, 2 flat step, 30°
46	DAA402FW26	Handrail guide, passenger side, right side, UL	
47	DAA402FW27	Handrail guide, passenger side, left side, UL	Bal. 930, 3 flat step, 30°
48	DAA402FW28	Handrail guide, passenger side, right side, UL	
49	DAA402FW29	Handrail guide, passenger side, left side, UL	Bal. 1000, 2 flat step, 30°
50	DAA402FW30	Handrail guide, passenger side, right side, UL	
51	DAA402FW31	Handrail guide, passenger side, left side, UL	Bal. 1000, 3 flat step, 30°
52	DAA402FW32	Handrail guide, passenger side, right side, UL	

**508NCE/512NCE/515NPE-S/
515NPE-L/LINK V2.8 ESCALATOR
Handrail Guide w/ Illumination**

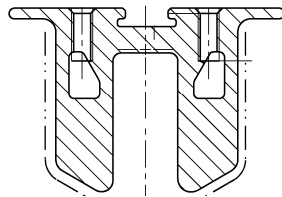
**Spare Parts Leaflet
57-DAA26228BJ**



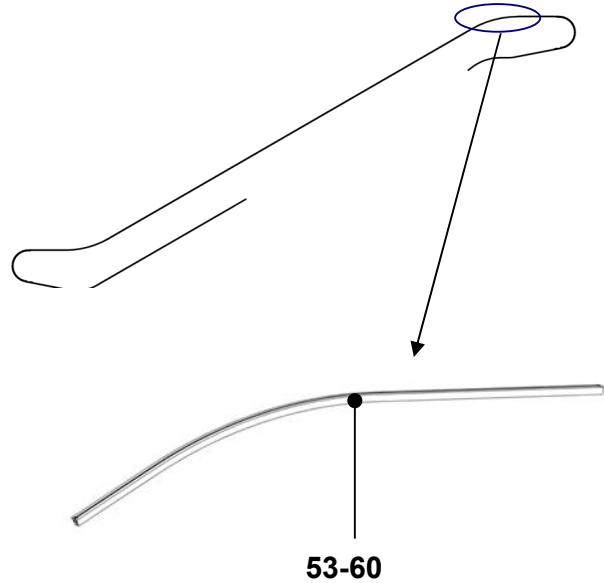
515NPE-S - EN/HK/SAA/JIS/GB CODE



SECTION C-C



SECTION B-B



53-60

UPPER LANDING = UL

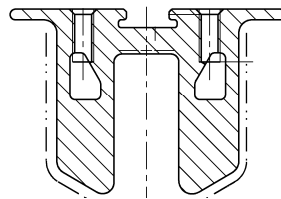
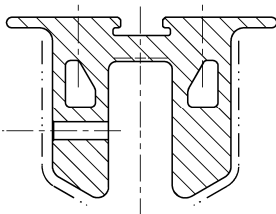
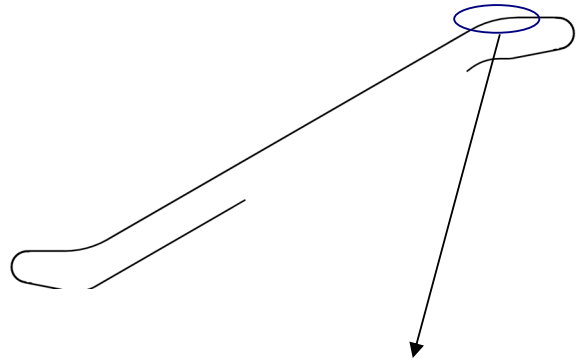
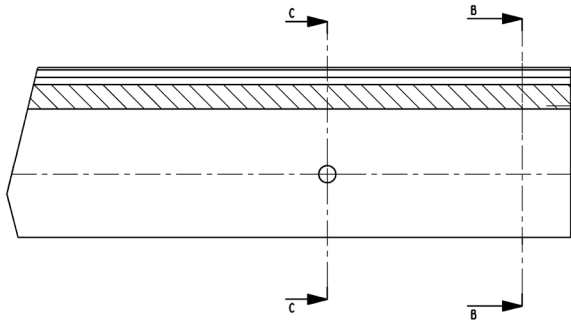
DAA26228BJ			
REF. No.	PART No.	DESCRIPTION	
53	DAA402FW33	Handrail guide, passenger side, left side, UL	Bal. 930, 2 flat step, 35°
54	DAA402FW34	Handrail guide, passenger side, right side, UL	
55	DAA402FW35	Handrail guide, passenger side, left side, UL	Bal. 930, 3 flat step, 35°
56	DAA402FW36	Handrail guide, passenger side, right side, UL	
57	DAA402FW37	Handrail guide, passenger side, left side, UL	Bal. 1000, 2 flat step, 35°
58	DAA402FW38	Handrail guide, passenger side, right side, UL	
59	DAA402FW39	Handrail guide, passenger side, left side, UL	Bal. 1000, 3 flat step, 35°
60	DAA402FW40	Handrail guide, passenger side, right side, UL	

**508NCE/512NCE/515NPE-S/
515NPE-L/LINK V2.8 ESCALATOR
Handrail Guide w/ Illumination**

**Spare Parts Leaflet
57-DAA26228BJ**

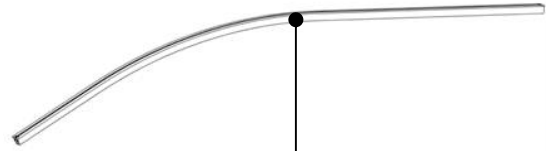
74

512NCE – ANSI CODE



SECTION C-C

SECTION B-B



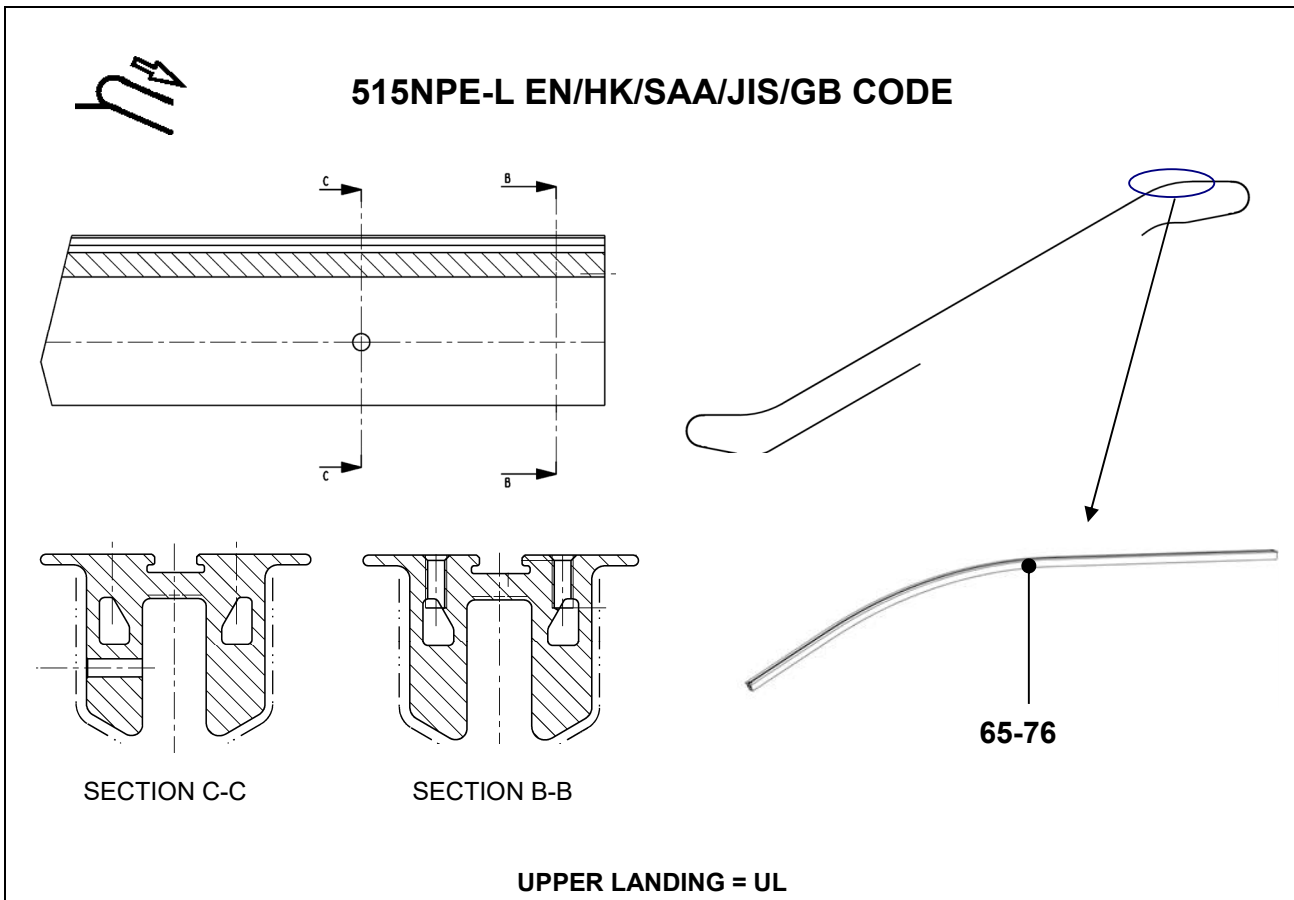
61-64

UPPER LANDING = UL

DAA26228BJ			
REF. No.	PART No.	DESCRIPTION	
61	DAA402FW69	Handrail guide, passenger side, left side, UL	Bal. 1000, 2 flat step, 30°
62	DAA402FW70	Handrail guide, passenger side, right side, UL	
63	DAA402FW71	Handrail guide, passenger side, left side, UL	Bal. 1000, 3 flat step, 30°
64	DAA402FW72	Handrail guide, passenger side, right side, UL	

**508NCE/512NCE/515NPE-S/
515NPE-L/LINK V2.8 ESCALATOR
Handrail Guide w/ Illumination**

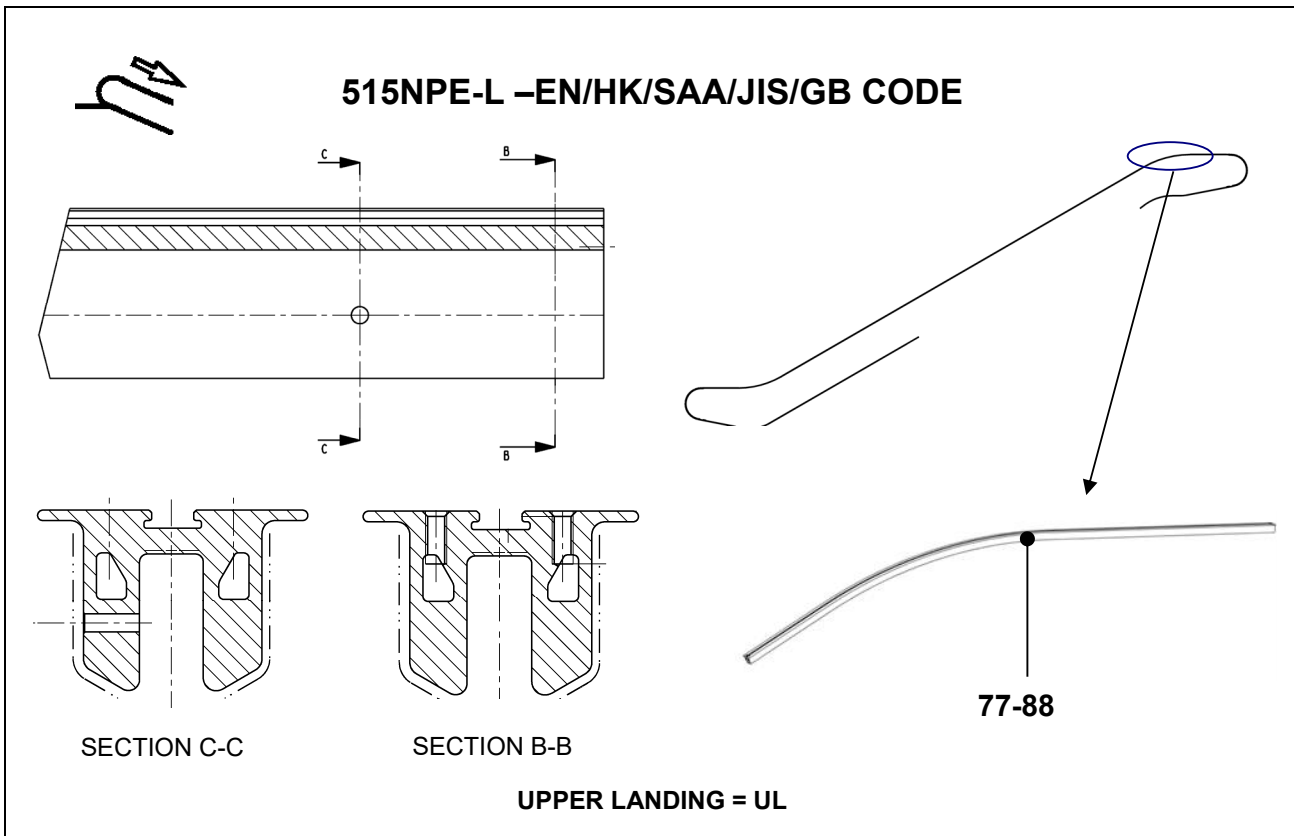
**Spare Parts Leaflet
57-DAA26228BJ**



DAA26228BJ			
REF. No.	PART No.	DESCRIPTION	
65	DAA402FW41	Handrail guide, passenger side, left side, UL	Bal. 930, 2 flat step, 30°
66	DAA402FW42	Handrail guide, passenger side, right side, UL	
67	DAA402FW43	Handrail guide, passenger side, left side, UL	Bal. 930, 3 flat step, 30°
68	DAA402FW44	Handrail guide, passenger side, right side, UL	
69	DAA402FW45	Handrail guide, passenger side, left side, UL	Bal. 930, 4 flat step, 30°
70	DAA402FW46	Handrail guide, passenger side, right side, UL	
71	DAA402FW47	Handrail guide, passenger side, left side, UL	Bal. 1000, 2 flat step, 30°
72	DAA402FW48	Handrail guide, passenger side, right side, UL	
73	DAA402FW49	Handrail guide, passenger side, left side, UL	Bal. 1000, 3 flat step, 30°
74	DAA402FW50	Handrail guide, passenger side, right side, UL	
75	DAA402FW51	Handrail guide, passenger side, left side, UL	Bal. 1000, 4 flat step, 30°
76	DAA402FW52	Handrail guide, passenger side, right side, UL	

**508NCE/512NCE/515NPE-S/
515NPE-L/LINK V2.8 ESCALATOR
Handrail Guide w/ Illumination**

**Spare Parts Leaflet
57-DAA26228BJ**



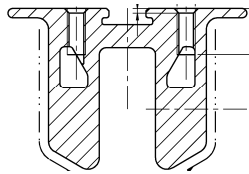
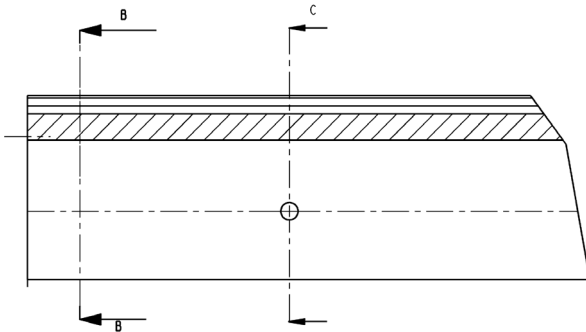
DAA26228BJ			
REF. No.	PART No.	DESCRIPTION	
77	DAA402FW53	Handrail guide, passenger side, left side, UL	Bal. 930, 2 flat step, 35°
78	DAA402FW54	Handrail guide, passenger side, right side, UL	
79	DAA402FW55	Handrail guide, passenger side, left side, UL	Bal. 930, 3 flat step, 35°
80	DAA402FW56	Handrail guide, passenger side, right side, UL	
81	DAA402FW57	Handrail guide, passenger side, left side, UL	Bal. 930, 4 flat step, 35°
82	DAA402FW58	Handrail guide, passenger side, right side, UL	
83	DAA402FW59	Handrail guide, passenger side, left side, UL	Bal. 1000, 2 flat step, 35°
84	DAA402FW60	Handrail guide, passenger side, right side, UL	
85	DAA402FW61	Handrail guide, passenger side, left side, UL	Bal. 1000, 3 flat step, 35°
86	DAA402FW62	Handrail guide, passenger side, right side, UL	
87	DAA402FW63	Handrail guide, passenger side, left side, UL	Bal. 1000, 4 flat step, 35°
88	DAA402FW64	Handrail guide, passenger side, right side, UL	

**508NCE/512NCE/515NPE-S/
515NPE-L/LINK V2.8 ESCALATOR
Handrail Guide w/ Illumination**

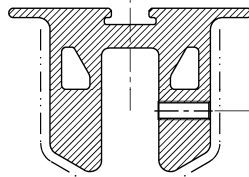
**Spare Parts Leaflet
57-DAA26228BJ**



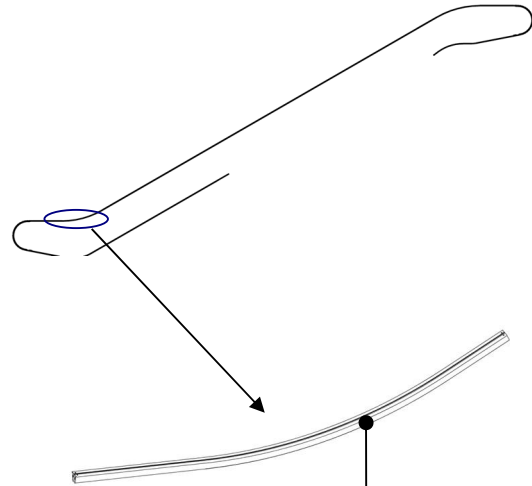
508NCE/LINK V2.8 –EN/HK/SAA/GB CODE



SECTION B-B



SECTION C-C



89-96

LOWER LANDING = LL

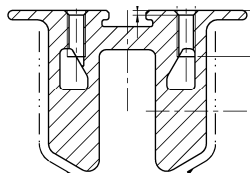
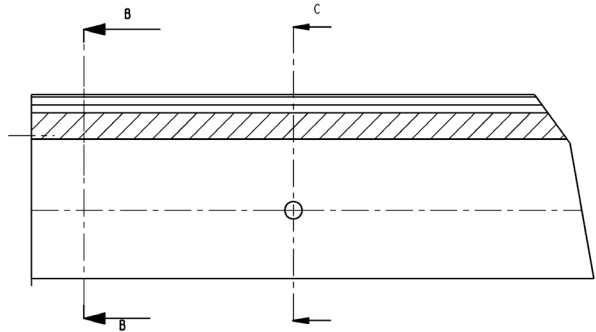
DAA26228BJ			
REF. No.	PART No.	DESCRIPTION	
89	DAA402FX1	Handrail guide, passenger side, left side, LL	Bal. 930, 2 flat step, 30°
90	DAA402FX2	Handrail guide, passenger side, right side, LL	
91	DAA402FX3	Handrail guide, passenger side, left side, LL	Bal. 930, 3 flat step, 30°
92	DAA402FX4	Handrail guide, passenger side, right side, LL	
93	DAA402FX5	Handrail guide, passenger side, left side, LL	Bal. 1000, 2 flat step, 30°
94	DAA402FX6	Handrail guide, passenger side, right side, LL	
95	DAA402FX7	Handrail guide, passenger side, left side, LL	Bal. 1000, 3 flat step, 30°
96	DAA402FX8	Handrail guide, passenger side, right side, LL	

**508NCE/512NCE/515NPE-S/
515NPE-L/LINK V2.8 ESCALATOR
Handrail Guide w/ Illumination**

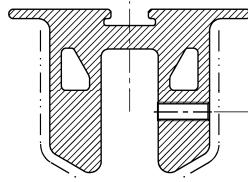
**Spare Parts Leaflet
57-DAA26228BJ**



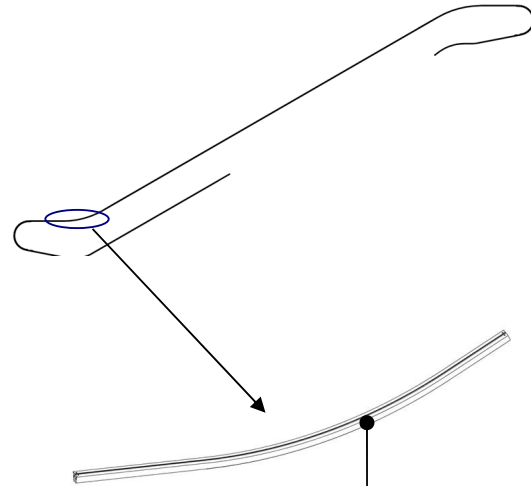
508NCE –JIS CODE



SECTION B-B



SECTION C-C



97-104

LOWER LANDING = LL

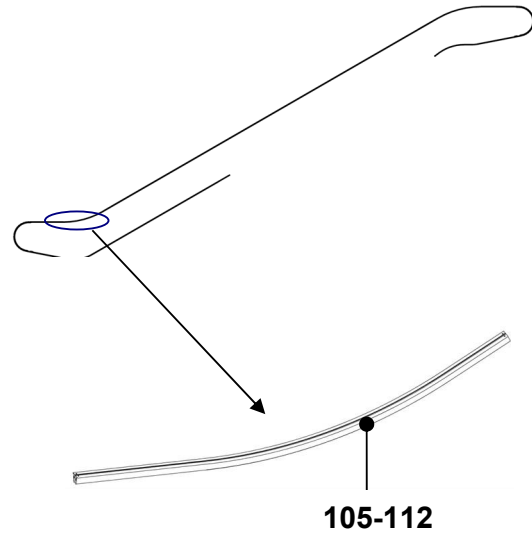
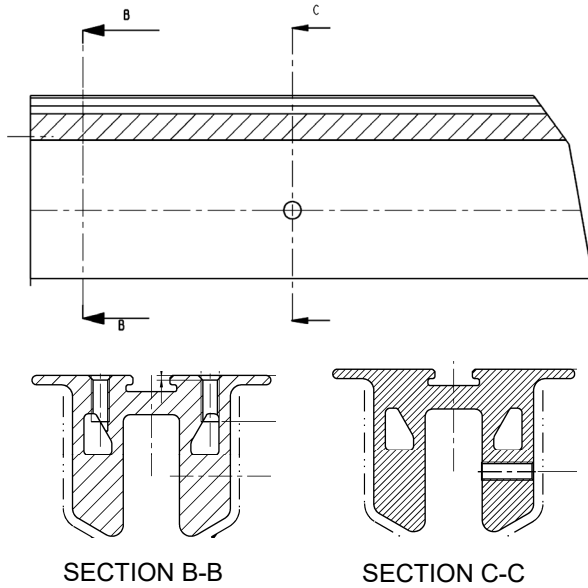
DAA26228BJ			
REF. No.	PART No.	DESCRIPTION	
97	DAA402FX17	Handrail guide, passenger side, left side, LL	Bal. 930, 1.5 flat step, 30°
98	DAA402FX18	Handrail guide, passenger side, right side, LL	
99	DAA402FX19	Handrail guide, passenger side, left side, LL	Bal. 930, 3 flat step, 30°
100	DAA402FX20	Handrail guide, passenger side, right side, LL	
101	DAA402FX21	Handrail guide, passenger side, left side, LL	Bal. 1000, 1.5 flat step, 30°
102	DAA402FX22	Handrail guide, passenger side, right side, LL	
103	DAA402FX23	Handrail guide, passenger side, left side, LL	Bal. 1000, 3 flat step, 30°
104	DAA402FX24	Handrail guide, passenger side, right side, LL	

**508NCE/512NCE/515NPE-S/
515NPE-L/LINK V2.8 ESCALATOR
Handrail Guide w/ Illumination**

**Spare Parts Leaflet
57-DAA26228BJ**



508NCE/LINK V2.8 - EN/HK/SAA/JIS/GB CODE



LOWER LANDING = LL

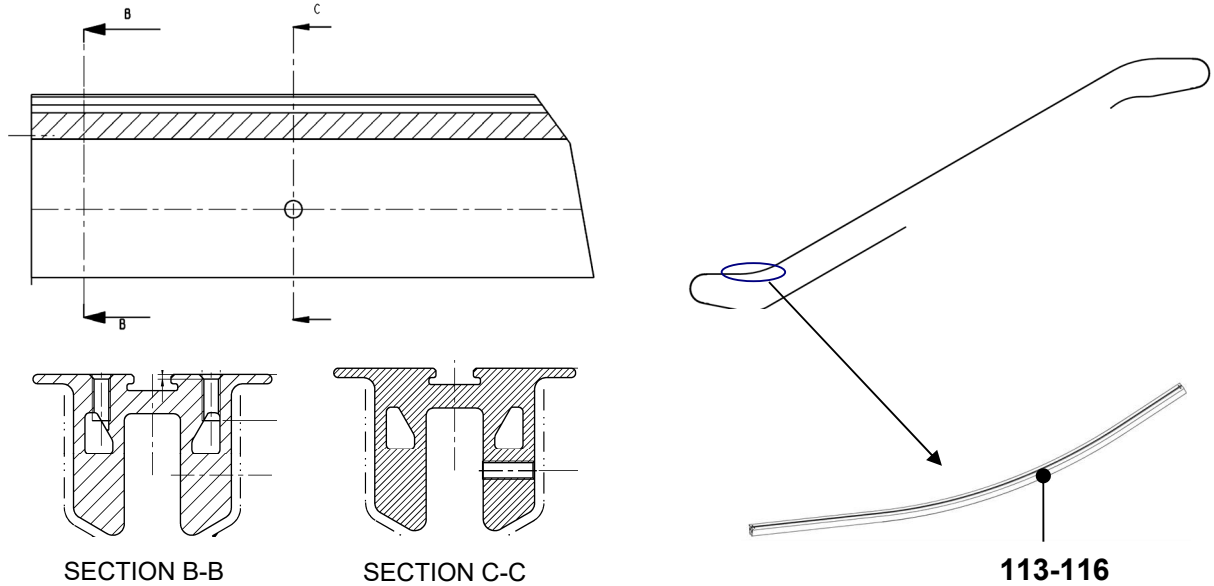
DAA26228BJ			
REF. No.	PART No.	DESCRIPTION	
105	DAA402FX9	Handrail guide, passenger side, left side, LL	Bal. 930, 2 flat step, 35° (For JIS, 1.5 flat step)
106	DAA402FX10	Handrail guide, passenger side, right side, LL	
107	DAA402FX11	Handrail guide, passenger side, left side, LL	Bal. 930, 3 flat step, 35°
108	DAA402FX12	Handrail guide, passenger side, right side, LL	
109	DAA402FX13	Handrail guide, passenger side, left side, LL	Bal. 1000, 2 flat step, 35° (For JIS, 1.5 flat step)
110	DAA402FX14	Handrail guide, passenger side, right side, LL	
111	DAA402FX15	Handrail guide, passenger side, left side, LL	Bal. 1000, 3 flat step, 35°
112	DAA402FX16	Handrail guide, passenger side, right side, LL	

**508NCE/512NCE/515NPE-S/
515NPE-L/LINK V2.8 ESCALATOR
Handrail Guide w/ Illumination**

**Spare Parts Leaflet
57-DAA26228BJ**



508NCE - ANSI CODE



LOWER LANDING = LL

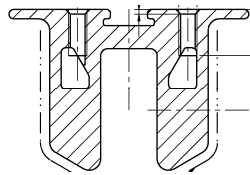
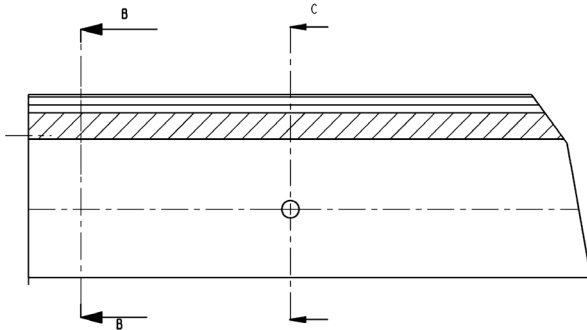
DAA26228BJ			
REF. No.	PART No.	DESCRIPTION	
113	DAA402FX65	Handrail guide, passenger side, left side, LL	Bal. 1000, 2 flat step, 30°
114	DAA402FX66	Handrail guide, passenger side, right side, LL	
115	DAA402FX67	Handrail guide, passenger side, left side, LL	Bal. 1000, 3 flat step, 30°
116	DAA402FX68	Handrail guide, passenger side, right side, LL	

**508NCE/512NCE/515NPE-S/
515NPE-L/LINK V2.8 ESCALATOR
Handrail Guide w/ Illumination**

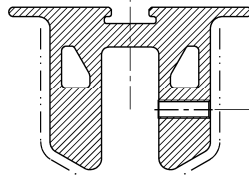
**Spare Parts Leaflet
57-DAA26228BJ**



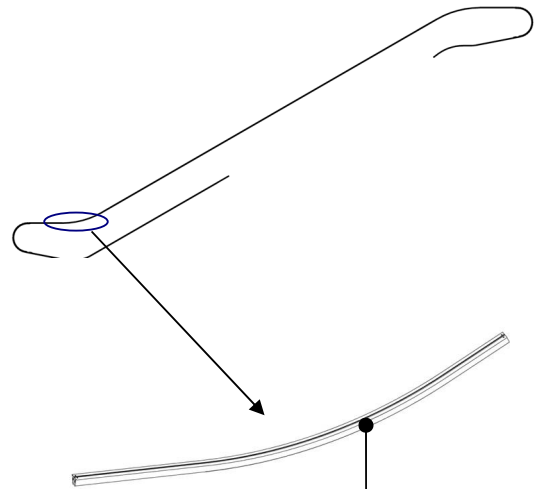
515NPE-S –EN/HK/SAA/JIS/GB CODE



SECTION B-B



SECTION C-C



117-124

LOWER LANDING = LL

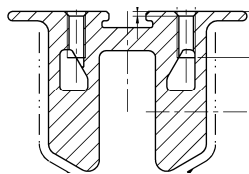
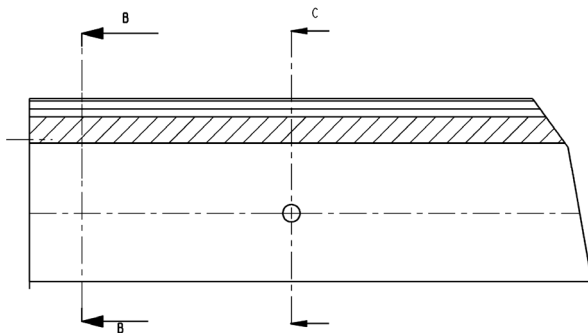
DAA26228BJ			
REF. No.	PART No.	DESCRIPTION	
117	DAA402FX25	Handrail guide, passenger side, left side, LL	Bal. 930, 2 flat step, 30°
118	DAA402FX26	Handrail guide, passenger side, right side, LL	
119	DAA402FX27	Handrail guide, passenger side, left side, LL	Bal. 930, 3 flat step, 30°
120	DAA402FX28	Handrail guide, passenger side, right side, LL	
121	DAA402FX29	Handrail guide, passenger side, left side, LL	Bal. 1000, 2 flat step, 30°
122	DAA402FX30	Handrail guide, passenger side, right side, LL	
123	DAA402FX31	Handrail guide, passenger side, left side, LL	Bal. 1000, 3 flat step, 30°
124	DAA402FX32	Handrail guide, passenger side, right side, LL	

**508NCE/512NCE/515NPE-S/
515NPE-L/LINK V2.8 ESCALATOR
Handrail Guide w/ Illumination**

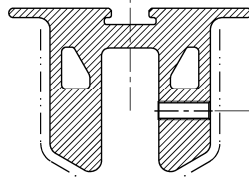
**Spare Parts Leaflet
57-DAA26228BJ**



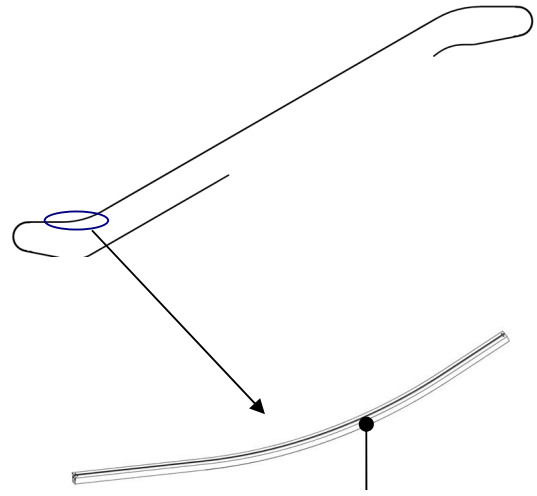
515NPE-S - EN/HK/SAA/JIS/GB CODE



SECTION B-B



SECTION C-C



125-132

LOWER LANDING = LL

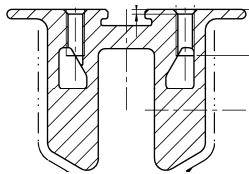
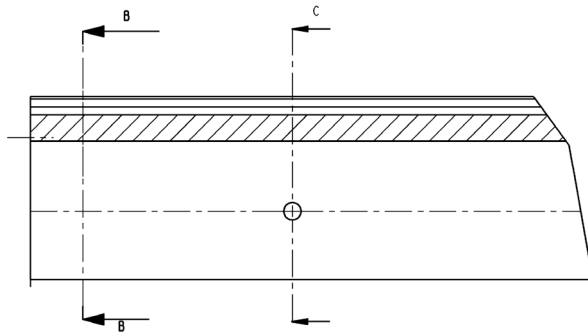
DAA26228BJ			
REF. No.	PART No.	DESCRIPTION	
125	DAA402FX33	Handrail guide, passenger side, left side, LL	Bal. 930, 2 flat step, 35°
126	DAA402FX34	Handrail guide, passenger side, right side, LL	
127	DAA402FX35	Handrail guide, passenger side, left side, LL	Bal. 930, 3 flat step, 35°
128	DAA402FX36	Handrail guide, passenger side, right side, LL	
129	DAA402FX37	Handrail guide, passenger side, left side, LL	Bal. 1000, 2 flat step, 35°
130	DAA402FX38	Handrail guide, passenger side, right side, LL	
131	DAA402FX39	Handrail guide, passenger side, left side, LL	Bal. 1000, 3 flat step, 35°
132	DAA402FX40	Handrail guide, passenger side, right side, LL	

**508NCE/512NCE/515NPE-S/
515NPE-L/LINK V2.8 ESCALATOR
Handrail Guide w/ Illumination**

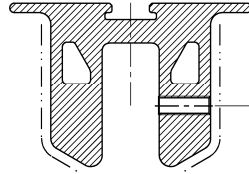
**Spare Parts Leaflet
57-DAA26228BJ**



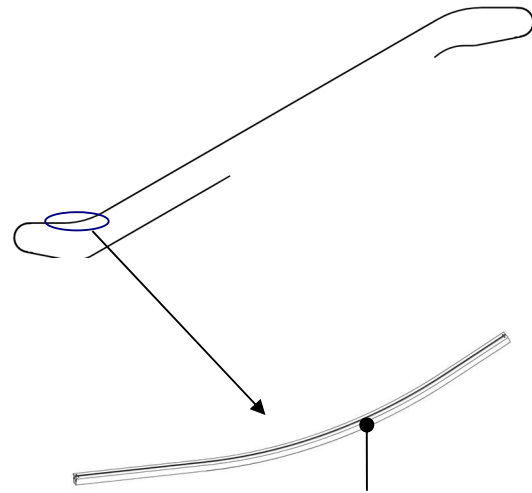
512NCE - ANSI CODE



SECTION B-B



SECTION C-C



133-136

LOWER LANDING = LL

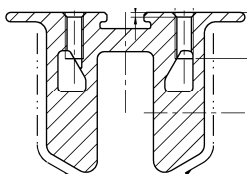
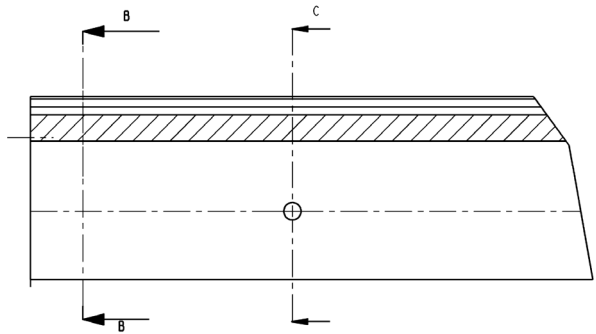
DAA26228BJ			
REF. No.	PART No.	DESCRIPTION	
133	DAA402FX69	Handrail guide, passenger side, left side, LL	Bal. 1000, 2 flat step, 30°
134	DAA402FX70	Handrail guide, passenger side, right side, LL	
135	DAA402FX71	Handrail guide, passenger side, left side, LL	Bal. 1000, 3 flat step, 30°
136	DAA402FX72	Handrail guide, passenger side, right side, LL	

**508NCE/512NCE/515NPE-S/
515NPE-L/LINK V2.8 ESCALATOR
Handrail Guide w/ Illumination**

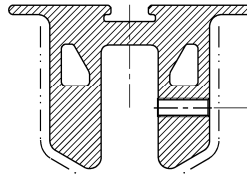
**Spare Parts Leaflet
57-DAA26228BJ**



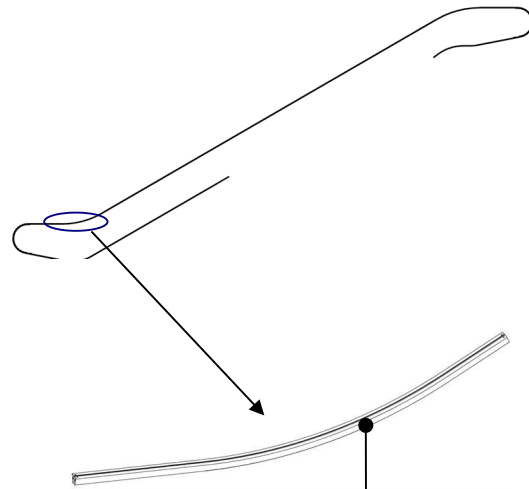
515NPE-L – EN/HK/SAA/JIS/GB CODE



SECTION B-B



SECTION C-C



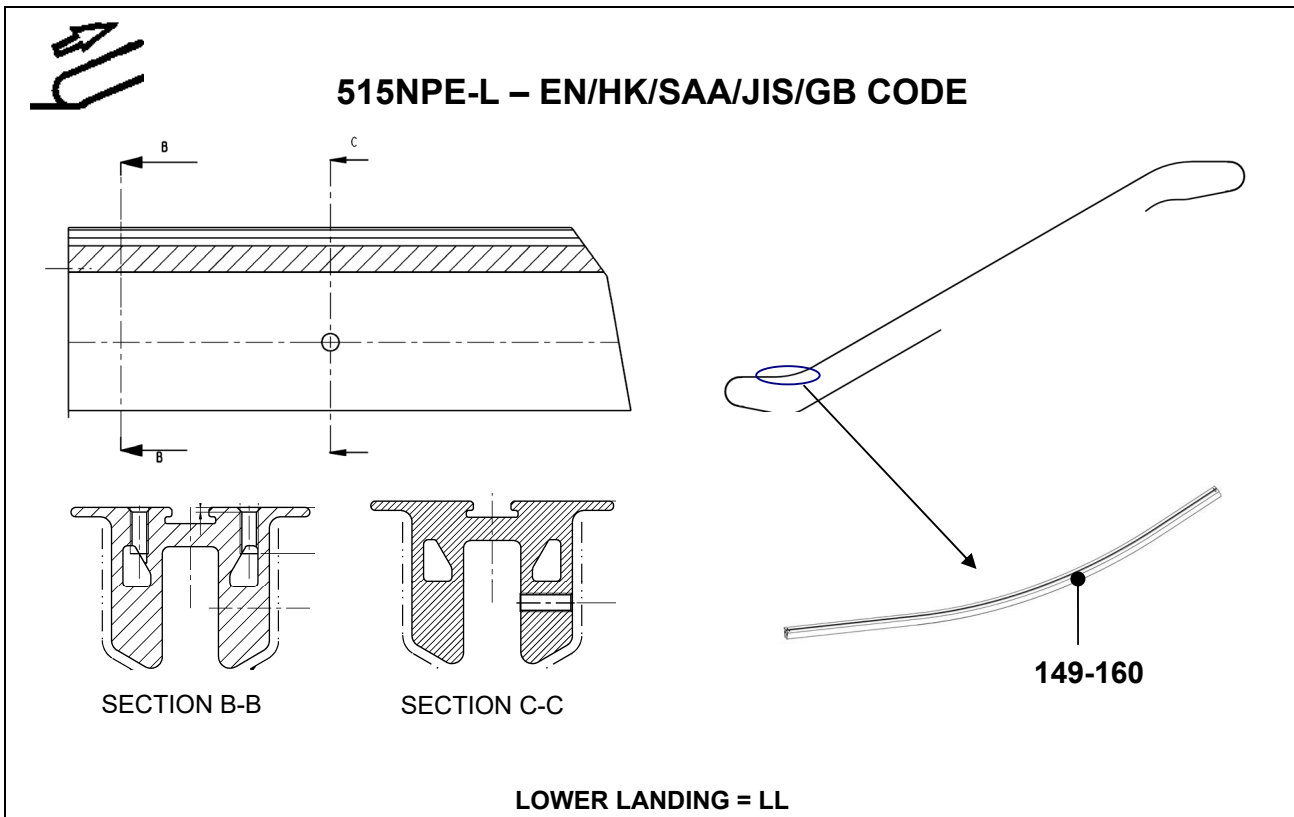
137-148

LOWER LANDING = LL

DAA26228BJ			
REF. No.	PART No.	DESCRIPTION	
137	DAA402FX41	Handrail guide, passenger side, left side, LL	Bal. 930, 2 flat step, 30°
138	DAA402FX42	Handrail guide, passenger side, right side, LL	
139	DAA402FX43	Handrail guide, passenger side, left side, LL	Bal. 930, 3 flat step, 30°
140	DAA402FX44	Handrail guide, passenger side, right side, LL	
141	DAA402FX45	Handrail guide, passenger side, left side, LL	Bal. 930, 4 flat step, 30°
142	DAA402FX46	Handrail guide, passenger side, right side, LL	
143	DAA402FX47	Handrail guide, passenger side, left side, LL	Bal. 1000, 2 flat step, 30°
144	DAA402FX48	Handrail guide, passenger side, right side, LL	
145	DAA402FX49	Handrail guide, passenger side, left side, LL	Bal. 1000, 3 flat step, 30°
146	DAA402FX50	Handrail guide, passenger side, right side, LL	
147	DAA402FX51	Handrail guide, passenger side, left side, LL	Bal. 1000, 4 flat step, 30°
148	DAA402FX52	Handrail guide, passenger side, right side, LL	

**508NCE/512NCE/515NPE-S/
515NPE-L/LINK V2.8 ESCALATOR
Handrail Guide w/ Illumination**

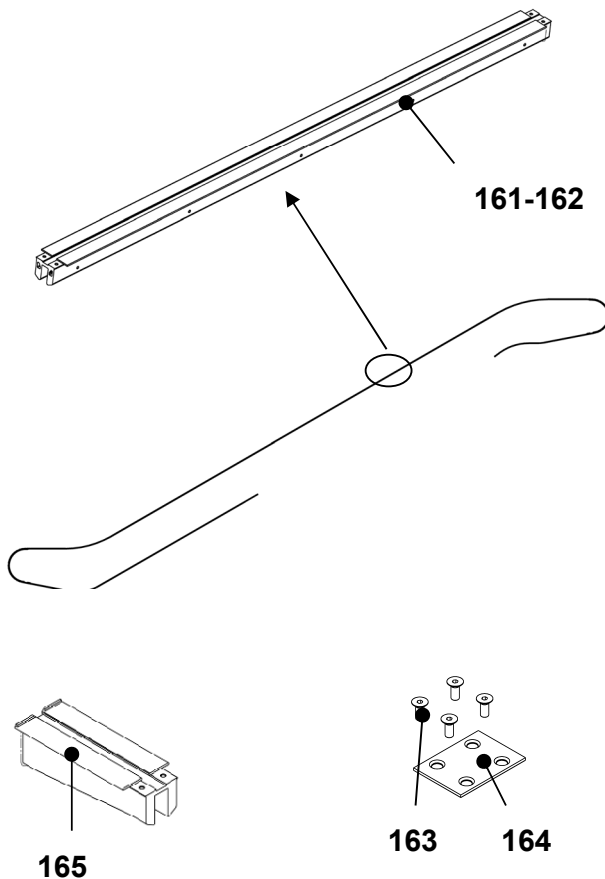
**Spare Parts Leaflet
57-DAA26228BJ**



DAA26228BJ			
REF. No.	PART No.	DESCRIPTION	
149	DAA402FX53	Handrail guide, passenger side, left side, LL	Bal. 930, 2 flat step, 35°
150	DAA402FX54	Handrail guide, passenger side, right side, LL	
151	DAA402FX55	Handrail guide, passenger side, left side, LL	Bal. 930, 3 flat step, 35°
152	DAA402FX56	Handrail guide, passenger side, right side, LL	
153	DAA402FX57	Handrail guide, passenger side, left side, LL	Bal. 930, 4 flat step, 35°
154	DAA402FX58	Handrail guide, passenger side, right side, LL	
155	DAA402FX59	Handrail guide, passenger side, left side, LL	Bal. 1000, 2 flat step, 35°
156	DAA402FX60	Handrail guide, passenger side, right side, LL	
157	DAA402FX61	Handrail guide, passenger side, left side, LL	Bal. 1000, 3 flat step, 35°
158	DAA402FX62	Handrail guide, passenger side, right side, LL	
159	DAA402FX63	Handrail guide, passenger side, left side, LL	Bal. 1000, 4 flat step, 35°
160	DAA402FX64	Handrail guide, passenger side, right side, LL	

**508NCE/512NCE/515NPE-S/
515NPE-L/LINK V2.8 ESCALATOR
Handrail Guide w/ Illumination**

**Spare Parts Leaflet
57-DAA26228BJ**



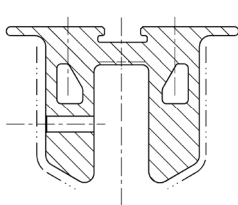
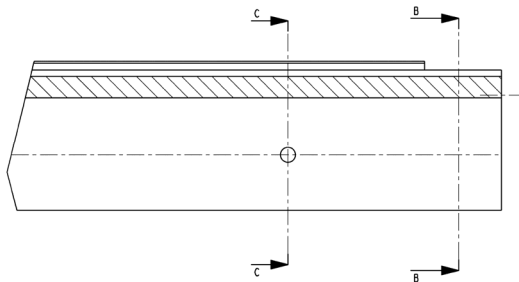
DAA26228BJ		
REF. No.	PART No.	DESCRIPTION
161	DAA402ZP1	Handrail guide, passenger side, inclined section, L = 6000 mm
162	DAA402ZP-V1	Handrail guide, passenger side, inclined section, Length per spec.
163	GB70.2/M4X10-A2-70	Recessed Countersunk Head Screw
164	DAA386CTW1	Plate
165	DAA402ZB1	Transition piece

**508NCE/512NCE/515NPE-S/
515NPE-L/LINK V2.8 ESCALATOR
Handrail Guide w/ Illumination**

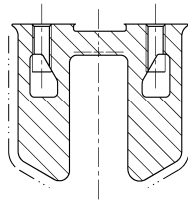
**Spare Parts Leaflet
57-DAA26228BJ**

74

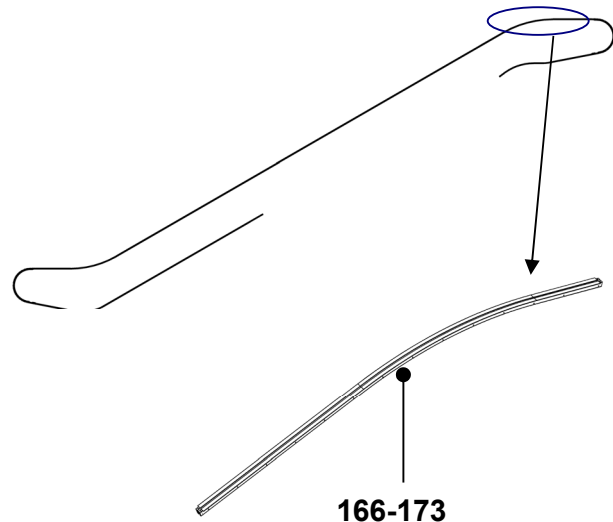
**508NCE - EN/HK/SAA/GB CODE
LINK V2.8 – EN/GB CODE**



SECTION C-C



SECTION B-B



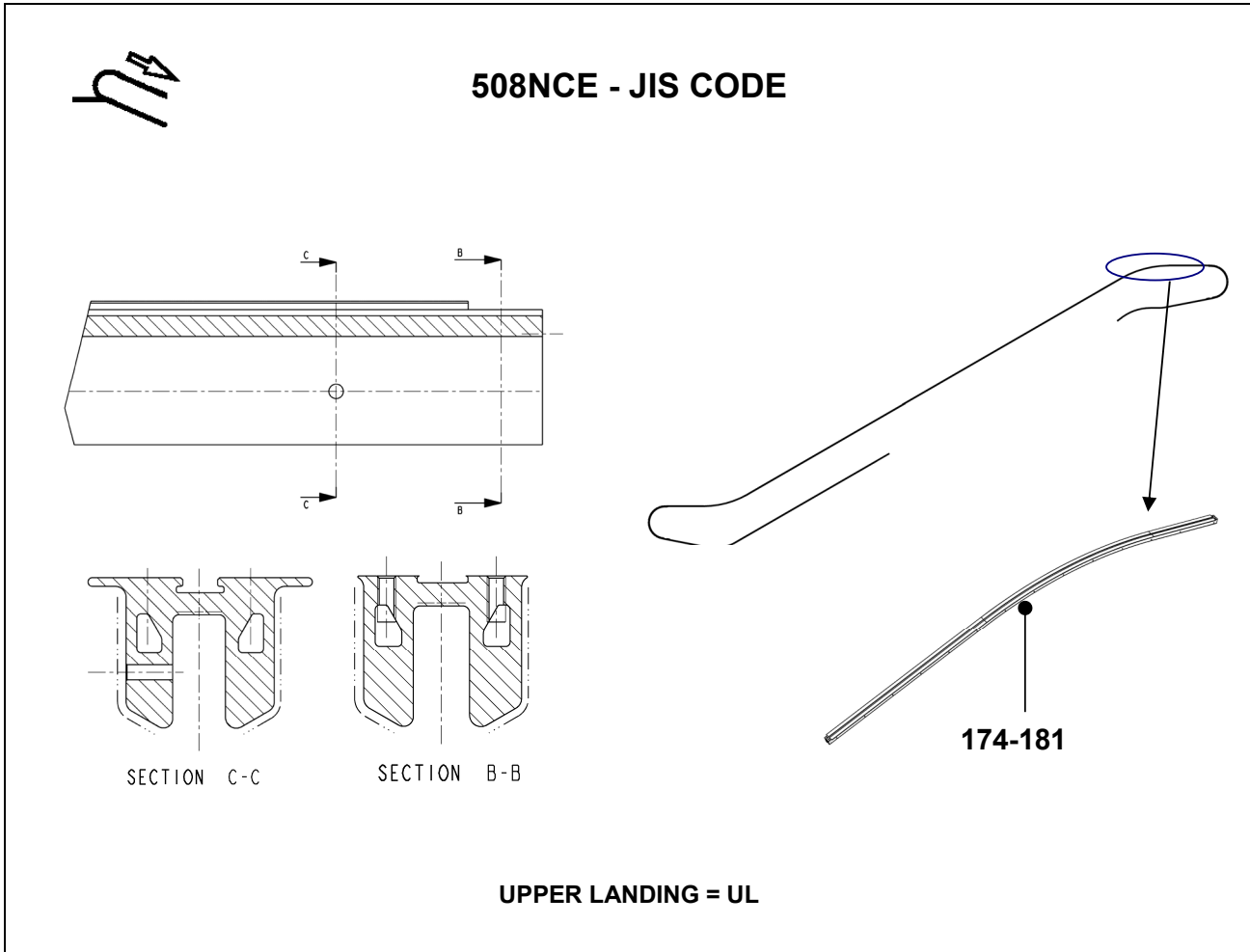
166-173

UPPER LANDING = UL

DAA26228BJ			
REF. No.	PART No.	DESCRIPTION	
166	DAA402ZM1	Handrail guide, passenger side, left side, UL	Bal. 930, 2 flat step, 30°
167	DAA402ZM2	Handrail guide, passenger side, right side, UL	
168	DAA402ZM3	Handrail guide, passenger side, left side, UL	Bal. 930, 3 flat step, 30°
169	DAA402ZM4	Handrail guide, passenger side, right side, UL	
170	DAA402ZM5	Handrail guide, passenger side, left side, UL	Bal. 1000, 2 flat step, 30°
171	DAA402ZM6	Handrail guide, passenger side, right side, UL	
172	DAA402ZM7	Handrail guide, passenger side, left side, UL	Bal. 1000, 3 flat step, 30°
173	DAA402ZM8	Handrail guide, passenger side, right side, UL	

**508NCE/512NCE/515NPE-S/
515NPE-L/LINK V2.8 ESCALATOR
Handrail Guide w/ Illumination**

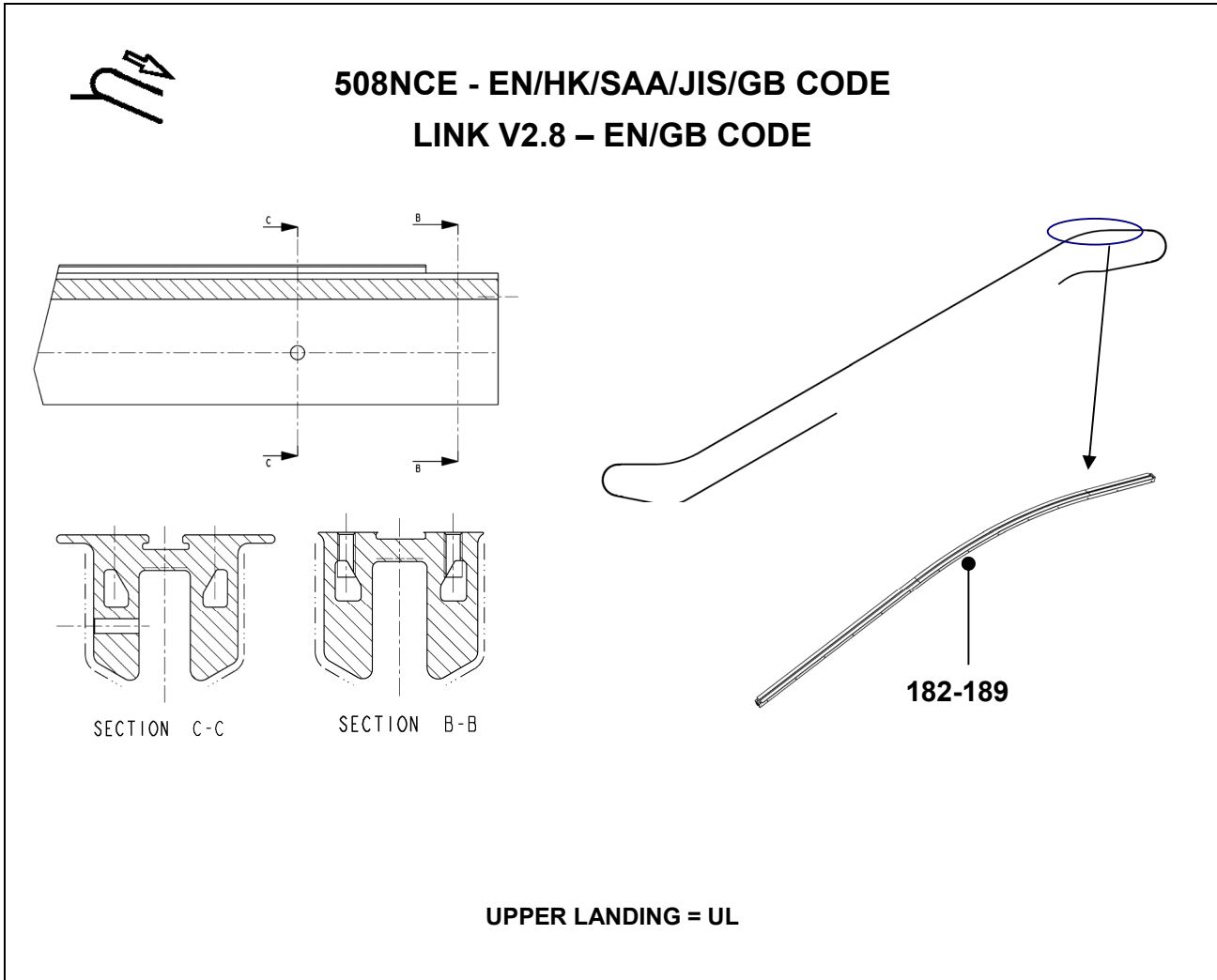
**Spare Parts Leaflet
57-DAA26228BJ**



DAA26228BJ			
REF. No.	PART No.	DESCRIPTION	
174	DAA402ZM17	Handrail guide, passenger side, left side, UL	Bal. 930, 1.5 flat step, 30°
175	DAA402ZM18	Handrail guide, passenger side, right side, UL	
176	DAA402ZM19	Handrail guide, passenger side, left side, UL	Bal. 930, 3 flat step, 30°
177	DAA402ZM20	Handrail guide, passenger side, right side, UL	
178	DAA402ZM21	Handrail guide, passenger side, left side, UL	Bal. 1000, 1.5 flat step, 30°
179	DAA402ZM22	Handrail guide, passenger side, right side, UL	
180	DAA402ZM23	Handrail guide, passenger side, left side, UL	Bal. 1000, 3 flat step, 30°
181	DAA402ZM24	Handrail guide, passenger side, right side, UL	

**508NCE/512NCE/515NPE-S/
515NPE-L/LINK V2.8 ESCALATOR
Handrail Guide w/ Illumination**

**Spare Parts Leaflet
57-DAA26228BJ**



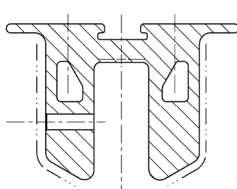
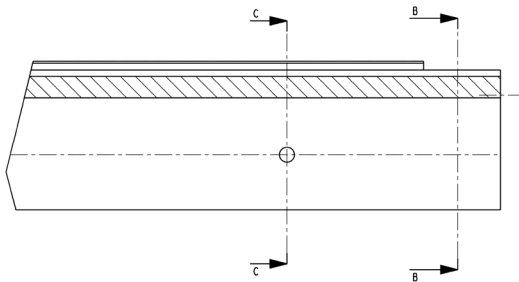
DAA26228BJ			
REF. No.	PART No.	DESCRIPTION	
182	DAA402ZM9	Handrail guide, passenger side, left side, UL	Bal. 930, 2 flat step, 35° (For JIS, 1.5 flat step)
183	DAA402ZM10	Handrail guide, passenger side, right side, UL	
184	DAA402ZM11	Handrail guide, passenger side, left side, UL	Bal. 930, 3 flat step, 35°
185	DAA402ZM12	Handrail guide, passenger side, right side, UL	
186	DAA402ZM13	Handrail guide, passenger side, left side, UL	Bal. 1000, 2 flat step, 35° (For JIS, 1.5 flat step)
187	DAA402ZM14	Handrail guide, passenger side, right side, UL	
188	DAA402ZM15	Handrail guide, passenger side, left side, UL	Bal. 1000, 3 flat step, 35°
189	DAA402ZM16	Handrail guide, passenger side, right side, UL	

**508NCE/512NCE/515NPE-S/
515NPE-L/LINK V2.8 ESCALATOR
Handrail Guide w/ Illumination**

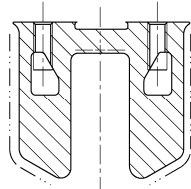
**Spare Parts Leaflet
57-DAA26228BJ**

74

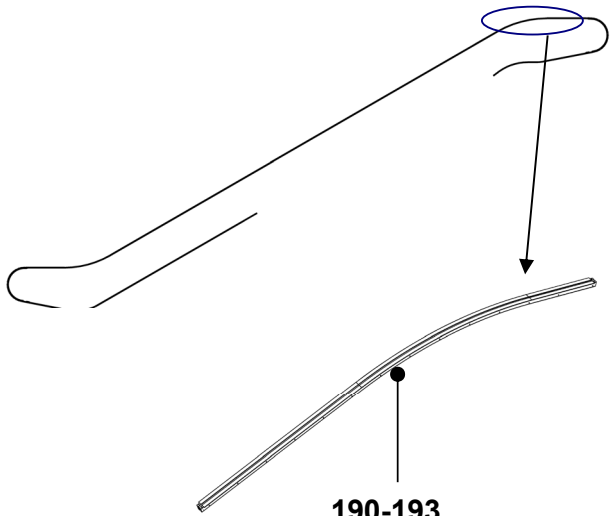
508NCE – ANSI CODE



SECTION C-C



SECTION B-B



190-193

UPPER LANDING = UL

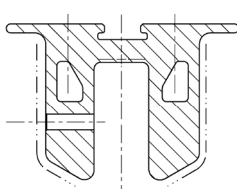
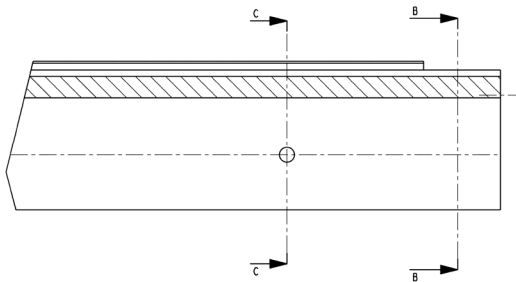
DAA26228BJ			
REF. No.	PART No.	DESCRIPTION	
190	DAA402ZM65	Handrail guide, passenger side, left side, UL	Bal. 1000, 2 flat step, 30°
191	DAA402ZM66	Handrail guide, passenger side, right side, UL	
192	DAA402ZM67	Handrail guide, passenger side, left side, UL	Bal. 1000, 3 flat step, 30°
193	DAA402ZM68	Handrail guide, passenger side, right side, UL	

**508NCE/512NCE/515NPE-S/
515NPE-L/LINK V2.8 ESCALATOR
Handrail Guide w/ Illumination**

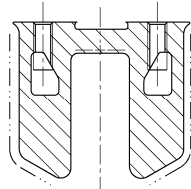
**Spare Parts Leaflet
57-DAA26228BJ**



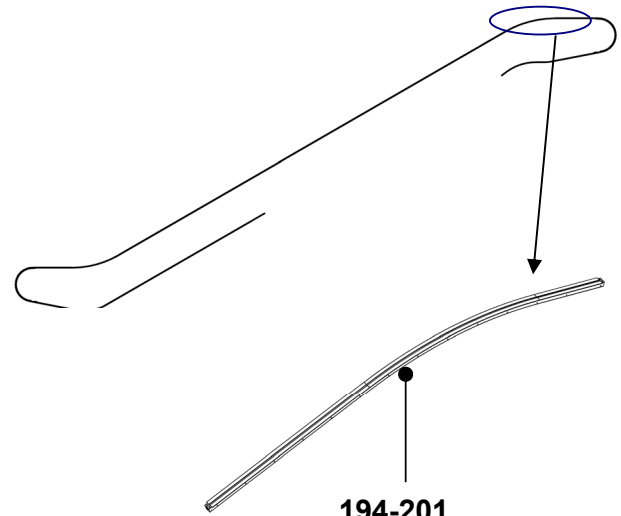
515NPE-S - EN/HK/SAA/JIS/GB CODE



SECTION C-C



SECTION B-B



194-201

UPPER LANDING = UL

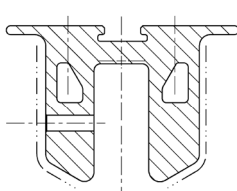
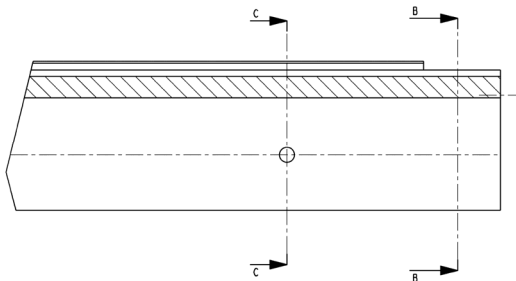
DAA26228BJ			
REF. No.	PART No.	DESCRIPTION	
194	DAA402ZM25	Handrail guide, passenger side, left side, UL	Bal. 930, 2 flat step, 30°
195	DAA402ZM26	Handrail guide, passenger side, right side, UL	
196	DAA402ZM27	Handrail guide, passenger side, left side, UL	Bal. 930, 3 flat step, 30°
197	DAA402ZM28	Handrail guide, passenger side, right side, UL	
198	DAA402ZM29	Handrail guide, passenger side, left side, UL	Bal. 1000, 2 flat step, 30°
199	DAA402ZM30	Handrail guide, passenger side, right side, UL	
200	DAA402ZM31	Handrail guide, passenger side, left side, UL	Bal. 1000, 3 flat step, 30°
201	DAA402ZM32	Handrail guide, passenger side, right side, UL	

**508NCE/512NCE/515NPE-S/
515NPE-L/LINK V2.8 ESCALATOR
Handrail Guide w/ Illumination**

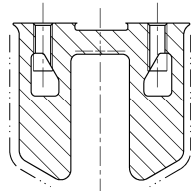
**Spare Parts Leaflet
57-DAA26228BJ**



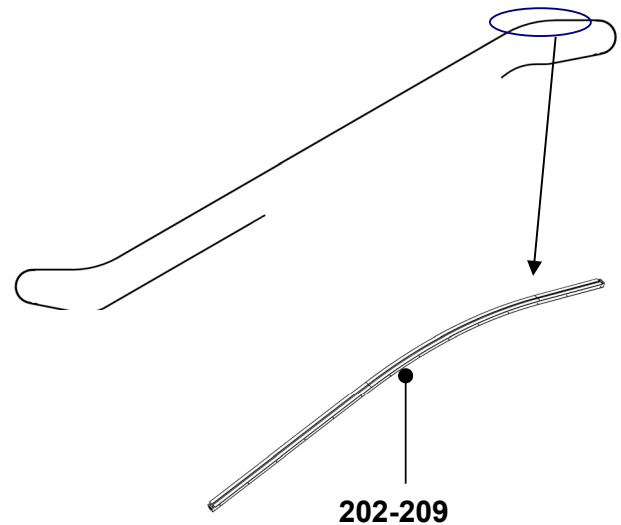
515NPE-S - EN/HK/SAA/JIS/GB CODE



SECTION C-C



SECTION B-B



202-209

UPPER LANDING = UL

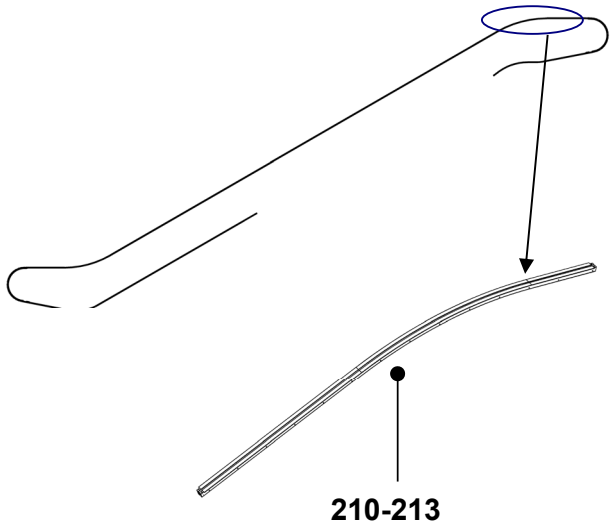
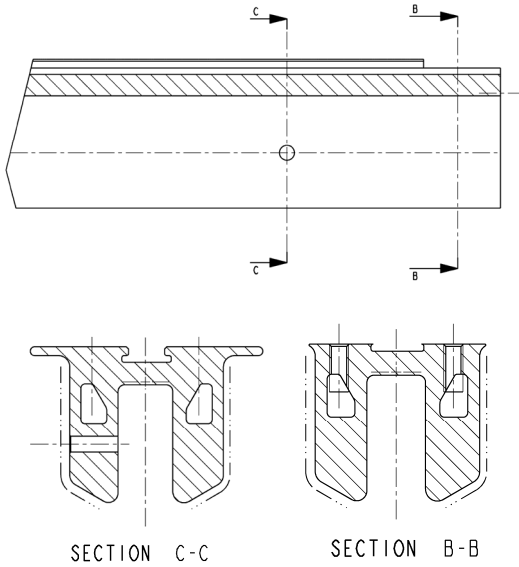
DAA26228BJ			
REF. No.	PART No.	DESCRIPTION	
202	DAA402ZM33	Handrail guide, passenger side, left side, UL	Bal. 930, 2 flat step, 35°
203	DAA402ZM34	Handrail guide, passenger side, right side, UL	
204	DAA402ZM35	Handrail guide, passenger side, left side, UL	Bal. 930, 3 flat step, 35°
205	DAA402ZM36	Handrail guide, passenger side, right side, UL	
206	DAA402ZM37	Handrail guide, passenger side, left side, UL	Bal. 1000, 2 flat step, 35°
207	DAA402ZM38	Handrail guide, passenger side, right side, UL	
208	DAA402ZM39	Handrail guide, passenger side, left side, UL	Bal. 1000, 3 flat step, 35°
209	DAA402ZM40	Handrail guide, passenger side, right side, UL	

**508NCE/512NCE/515NPE-S/
515NPE-L/LINK V2.8 ESCALATOR
Handrail Guide w/ Illumination**

**Spare Parts Leaflet
57-DAA26228BJ**

UL

512NCE – ANSI CODE

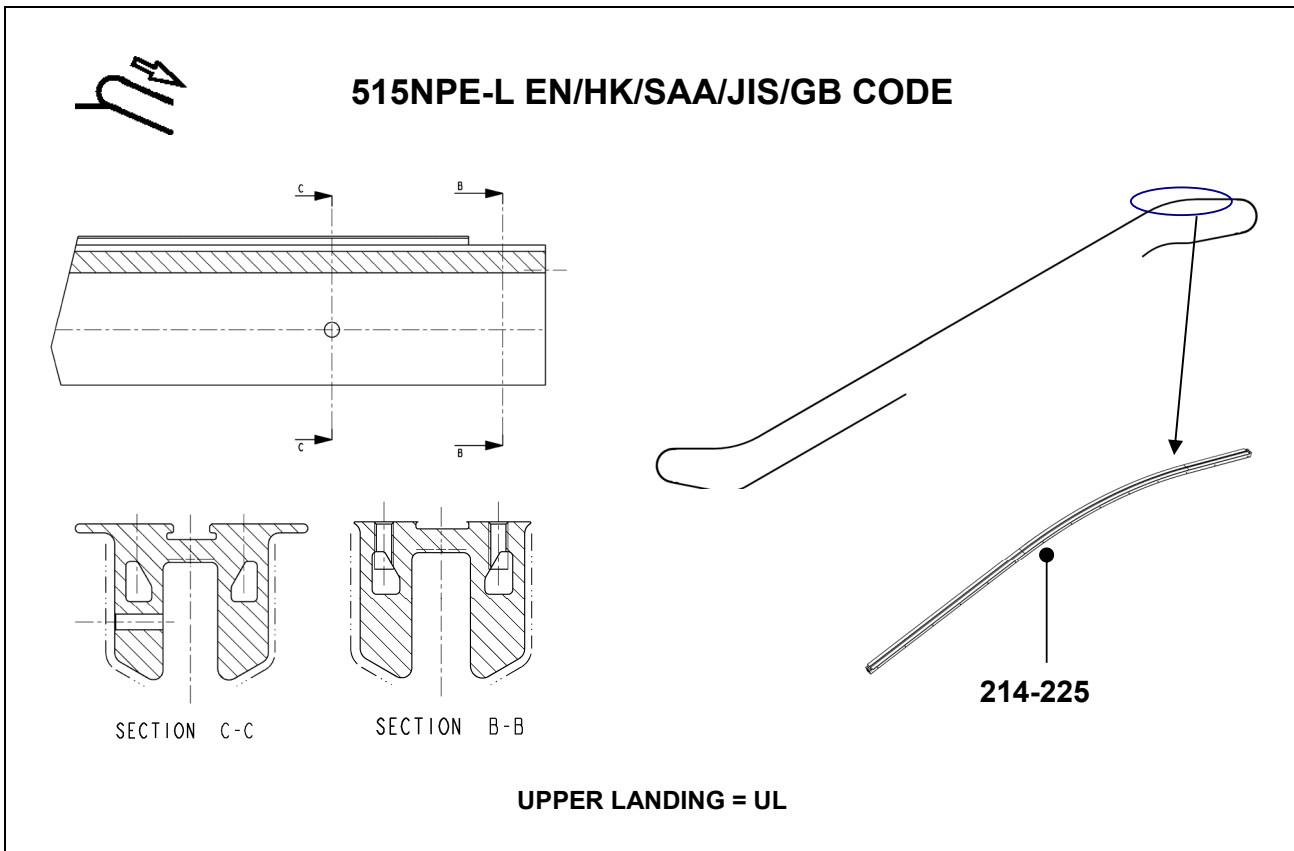


UPPER LANDING = UL

DAA26228BJ			
REF. No.	PART No.	DESCRIPTION	
210	DAA402ZM69	Handrail guide, passenger side, left side, UL	Bal. 1000, 2 flat step, 30°
211	DAA402ZM70	Handrail guide, passenger side, right side, UL	
212	DAA402ZM71	Handrail guide, passenger side, left side, UL	Bal. 1000, 3 flat step, 30°
213	DAA402ZM72	Handrail guide, passenger side, right side, UL	

**508NCE/512NCE/515NPE-S/
515NPE-L/LINK V2.8 ESCALATOR
Handrail Guide w/ Illumination**

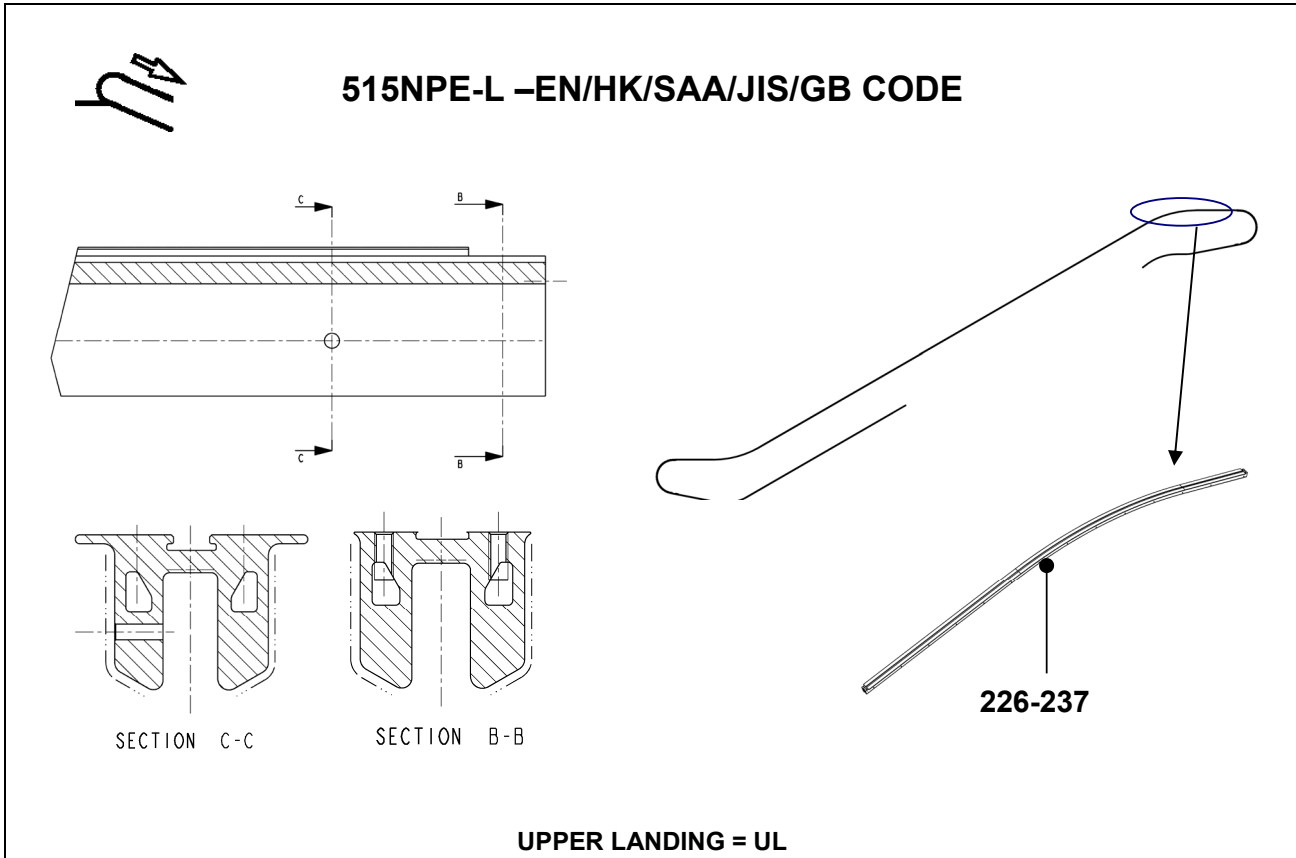
**Spare Parts Leaflet
57-DAA26228BJ**



DAA26228BJ			
REF. No.	PART No.	DESCRIPTION	
214	DAA402ZM41	Handrail guide, passenger side, left side, UL	Bal. 930, 2 flat step, 30°
215	DAA402ZM42	Handrail guide, passenger side, right side, UL	
216	DAA402ZM43	Handrail guide, passenger side, left side, UL	Bal. 930, 3 flat step, 30°
217	DAA402ZM44	Handrail guide, passenger side, right side, UL	
218	DAA402ZM45	Handrail guide, passenger side, left side, UL	Bal. 930, 4 flat step, 30°
219	DAA402ZM46	Handrail guide, passenger side, right side, UL	
220	DAA402ZM47	Handrail guide, passenger side, left side, UL	Bal. 1000, 2 flat step, 30°
221	DAA402ZM48	Handrail guide, passenger side, right side, UL	
222	DAA402ZM49	Handrail guide, passenger side, left side, UL	Bal. 1000, 3 flat step, 30°
223	DAA402ZM50	Handrail guide, passenger side, right side, UL	
224	DAA402ZM51	Handrail guide, passenger side, left side, UL	Bal. 1000, 4 flat step, 30°
225	DAA402ZM52	Handrail guide, passenger side, right side, UL	

**508NCE/512NCE/515NPE-S/
515NPE-L/LINK V2.8 ESCALATOR
Handrail Guide w/ Illumination**

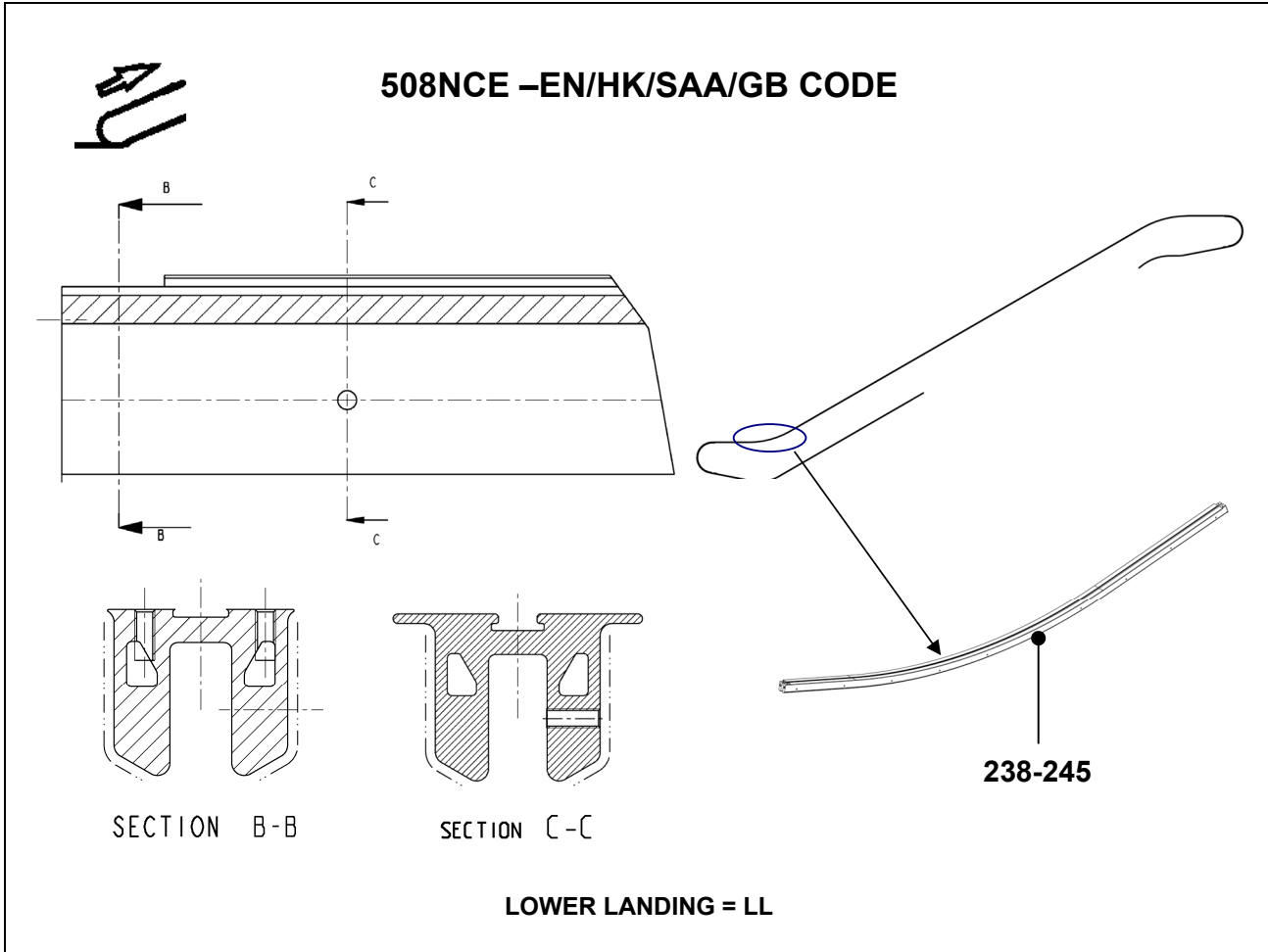
**Spare Parts Leaflet
57-DAA26228BJ**



DAA26228BJ			
REF. No.	PART No.	DESCRIPTION	
226	DAA402ZM53	Handrail guide, passenger side, left side, UL	Bal. 930, 2 flat step, 35°
227	DAA402ZM54	Handrail guide, passenger side, right side, UL	
228	DAA402ZM55	Handrail guide, passenger side, left side, UL	Bal. 930, 3 flat step, 35°
229	DAA402ZM56	Handrail guide, passenger side, right side, UL	
230	DAA402ZM57	Handrail guide, passenger side, left side, UL	Bal. 930, 4 flat step, 35°
231	DAA402ZM58	Handrail guide, passenger side, right side, UL	
232	DAA402ZM59	Handrail guide, passenger side, left side, UL	Bal. 1000, 2 flat step, 35°
233	DAA402ZM60	Handrail guide, passenger side, right side, UL	
234	DAA402ZM61	Handrail guide, passenger side, left side, UL	Bal. 1000, 3 flat step, 35°
235	DAA402ZM62	Handrail guide, passenger side, right side, UL	
236	DAA402ZM63	Handrail guide, passenger side, left side, UL	Bal. 1000, 4 flat step, 35°
237	DAA402ZM64	Handrail guide, passenger side, right side, UL	

**508NCE/512NCE/515NPE-S/
515NPE-L/LINK V2.8 ESCALATOR
Handrail Guide w/ Illumination**

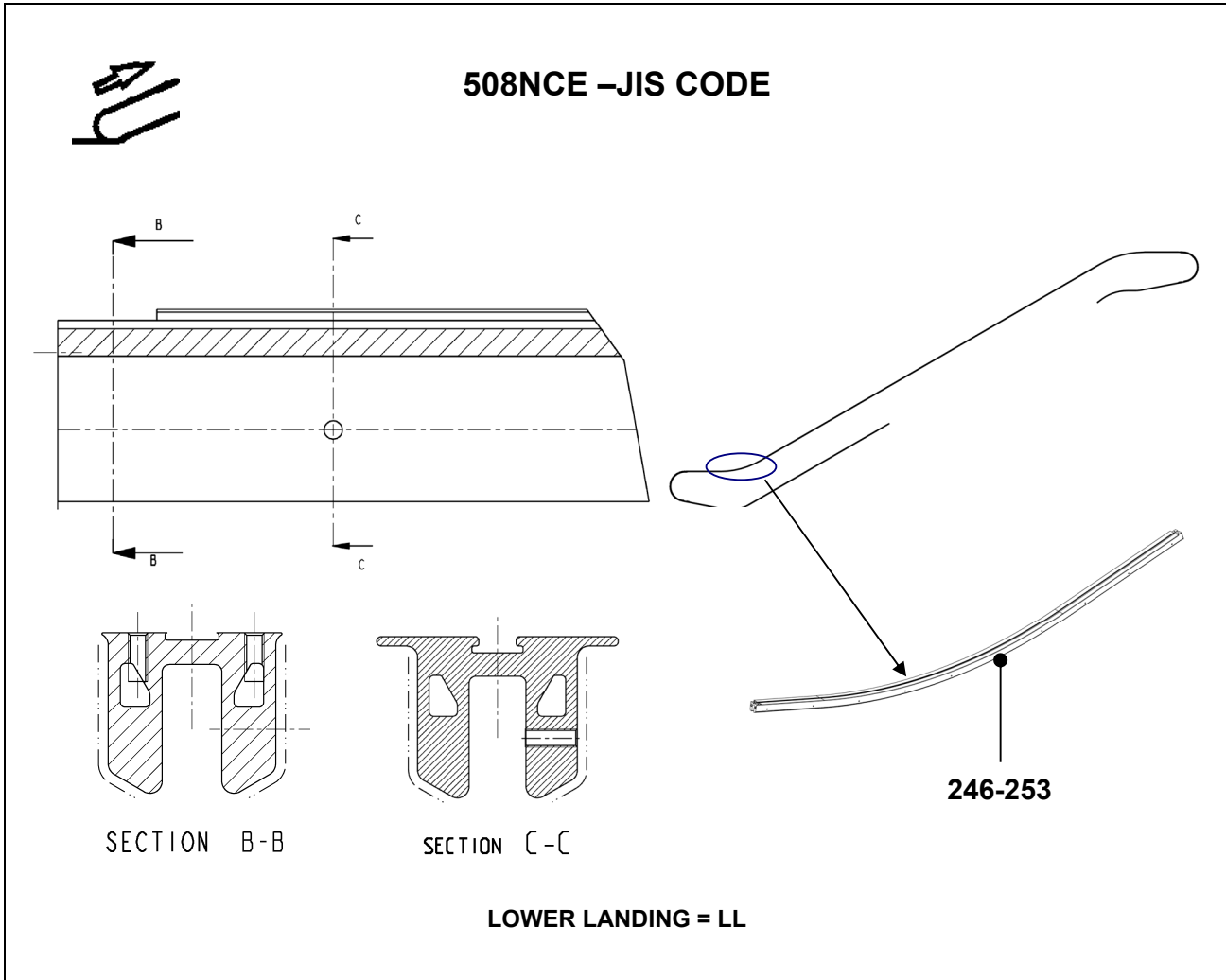
**Spare Parts Leaflet
57-DAA26228BJ**



DAA26228BJ			
REF. No.	PART No.	DESCRIPTION	
238	DAA402ZN1	Handrail guide, passenger side, left side, LL	Bal. 930, 2 flat step, 30°
239	DAA402ZN2	Handrail guide, passenger side, right side, LL	
240	DAA402ZN3	Handrail guide, passenger side, left side, LL	Bal. 930, 3 flat step, 30°
241	DAA402ZN4	Handrail guide, passenger side, right side, LL	
242	DAA402ZN5	Handrail guide, passenger side, left side, LL	Bal. 1000, 2 flat step, 30°
243	DAA402ZN6	Handrail guide, passenger side, right side, LL	
244	DAA402ZN7	Handrail guide, passenger side, left side, LL	Bal. 1000, 3 flat step, 30°
245	DAA402ZN8	Handrail guide, passenger side, right side, LL	

**508NCE/512NCE/515NPE-S/
515NPE-L/LINK V2.8 ESCALATOR
Handrail Guide w/ Illumination**

**Spare Parts Leaflet
57-DAA26228BJ**



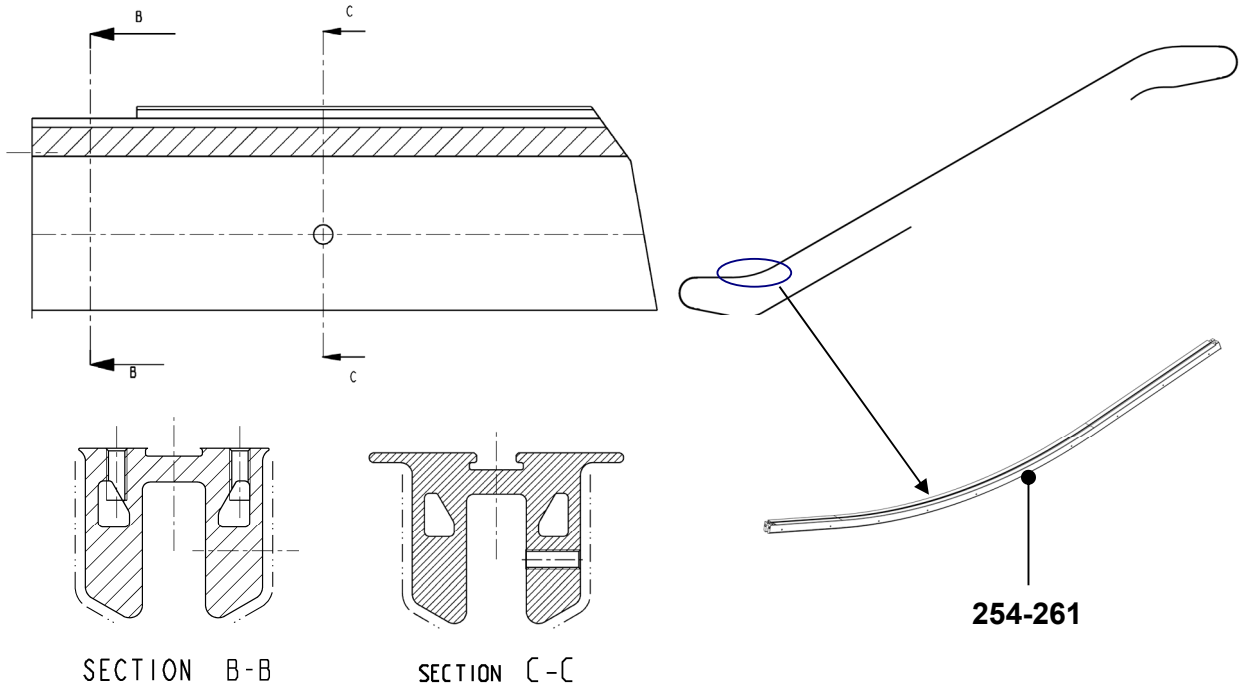
DAA26228BJ			
REF. No.	PART No.	DESCRIPTION	
246	DAA402ZN17	Handrail guide, passenger side, left side, LL	Bal. 930, 1.5 flat step, 30°
247	DAA402ZN18	Handrail guide, passenger side, right side, LL	
248	DAA402ZN19	Handrail guide, passenger side, left side, LL	Bal. 930, 3 flat step, 30°
249	DAA402ZN20	Handrail guide, passenger side, right side, LL	
250	DAA402ZN21	Handrail guide, passenger side, left side, LL	Bal. 1000, 1.5 flat step, 30°
251	DAA402ZN22	Handrail guide, passenger side, right side, LL	
252	DAA402ZN23	Handrail guide, passenger side, left side, LL	Bal. 1000, 3 flat step, 30°
253	DAA402ZN24	Handrail guide, passenger side, right side, LL	

**508NCE/512NCE/515NPE-S/
515NPE-L/LINK V2.8 ESCALATOR
Handrail Guide w/ Illumination**

**Spare Parts Leaflet
57-DAA26228BJ**



**508NCE - EN/HK/SAA/JIS/GB CODE
LINK V2.8 – EN/GB CODE**



LOWER LANDING = LL

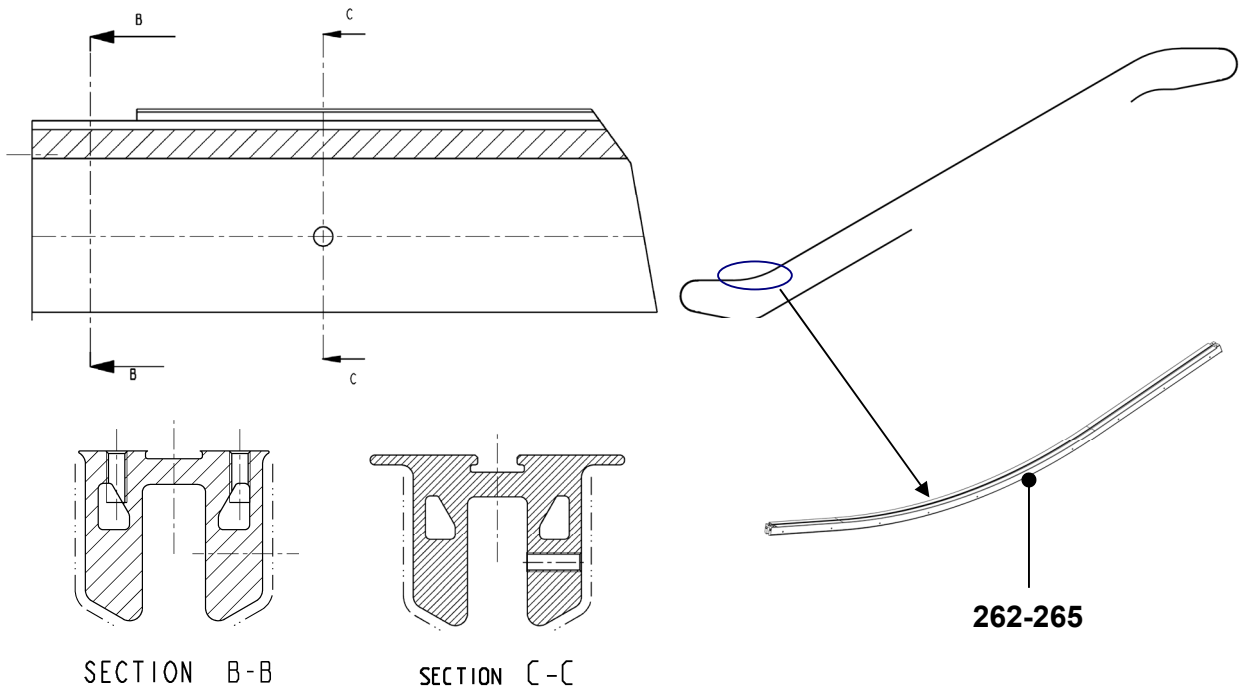
DAA26228BJ			
REF. No.	PART No.	DESCRIPTION	
254	DAA402ZN9	Handrail guide, passenger side, left side, LL	Bal. 930, 2 flat step, 35° (For JIS, 1.5 flat step)
255	DAA402ZN10	Handrail guide, passenger side, right side, LL	
256	DAA402ZN11	Handrail guide, passenger side, left side, LL	Bal. 930, 3 flat step, 35°
257	DAA402ZN12	Handrail guide, passenger side, right side, LL	
258	DAA402ZN13	Handrail guide, passenger side, left side, LL	Bal. 1000, 2 flat step, 35° (For JIS, 1.5 flat step)
259	DAA402ZN14	Handrail guide, passenger side, right side, LL	
260	DAA402ZN15	Handrail guide, passenger side, left side, LL	Bal. 1000, 3 flat step, 35°
261	DAA402ZN16	Handrail guide, passenger side, right side, LL	

**508NCE/512NCE/515NPE-S/
515NPE-L/LINK V2.8 ESCALATOR
Handrail Guide w/ Illumination**

**Spare Parts Leaflet
57-DAA26228BJ**



508NCE - ANSI CODE

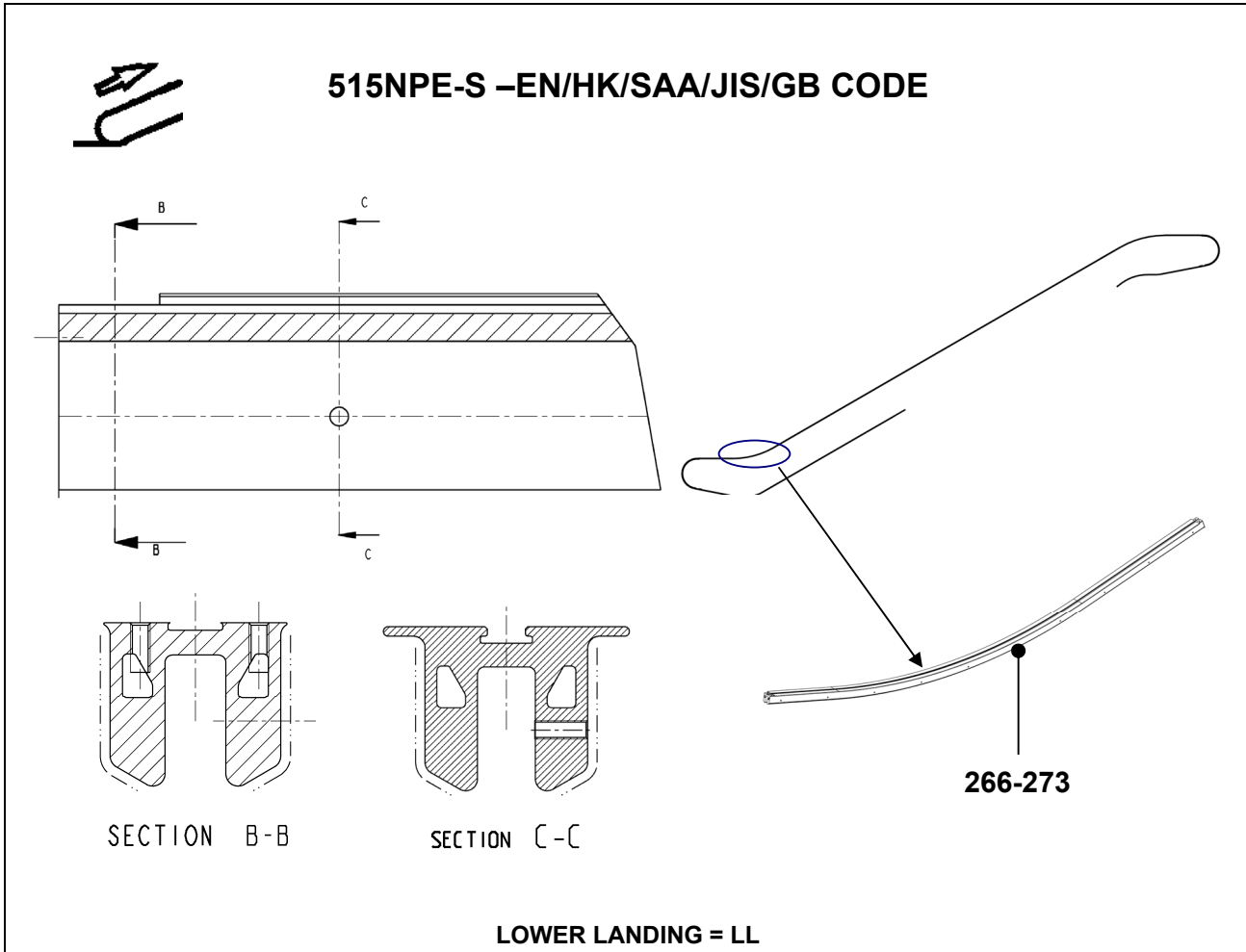


LOWER LANDING = LL

DAA26228BJ			
REF. No.	PART No.	DESCRIPTION	
262	DAA402ZN65	Handrail guide, passenger side, left side, LL	Bal. 1000, 2 flat step, 30°
263	DAA402ZN66	Handrail guide, passenger side, right side, LL	
264	DAA402ZN67	Handrail guide, passenger side, left side, LL	Bal. 1000, 3 flat step, 30°
265	DAA402ZN68	Handrail guide, passenger side, right side, LL	

**508NCE/512NCE/515NPE-S/
515NPE-L/LINK V2.8 ESCALATOR
Handrail Guide w/ Illumination**

**Spare Parts Leaflet
57-DAA26228BJ**



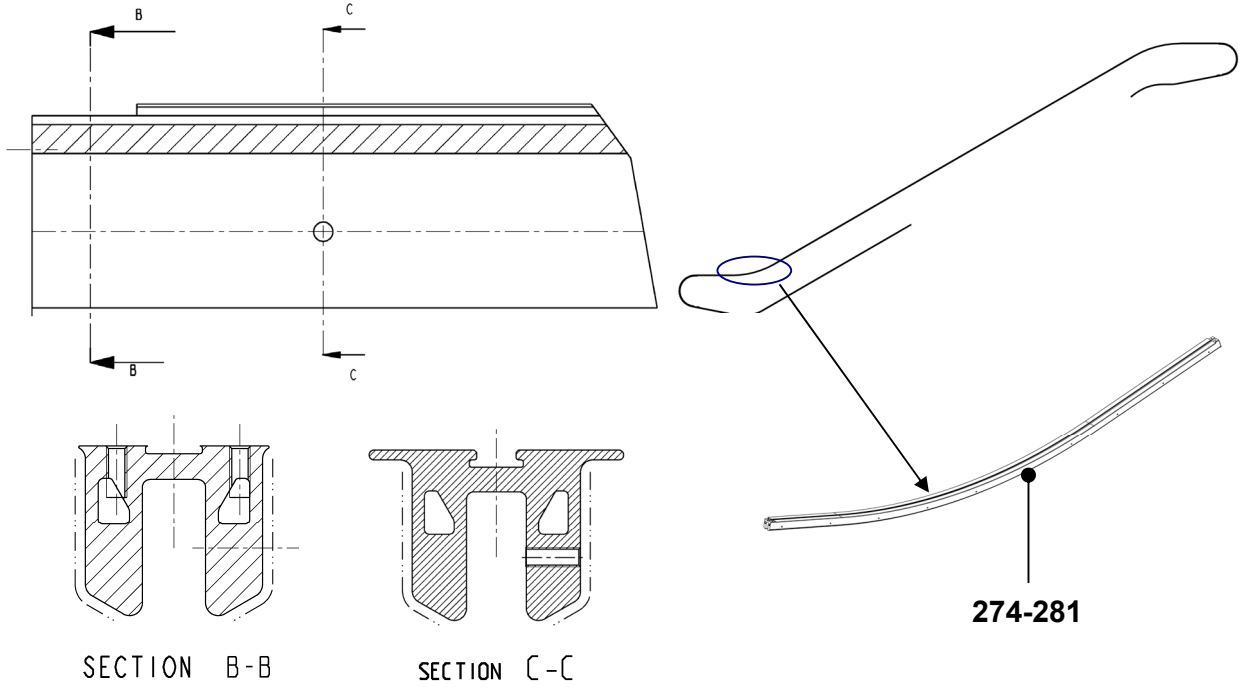
DAA26228BJ			
REF. No.	PART No.	DESCRIPTION	
266	DAA402ZN25	Handrail guide, passenger side, left side, LL	Bal. 930, 2 flat step, 30°
267	DAA402ZN26	Handrail guide, passenger side, right side, LL	
268	DAA402ZN27	Handrail guide, passenger side, left side, LL	Bal. 930, 3 flat step, 30°
269	DAA402ZN28	Handrail guide, passenger side, right side, LL	
270	DAA402ZN29	Handrail guide, passenger side, left side, LL	Bal. 1000, 2 flat step, 30°
271	DAA402ZN30	Handrail guide, passenger side, right side, LL	
272	DAA402ZN31	Handrail guide, passenger side, left side, LL	Bal. 1000, 3 flat step, 30°
273	DAA402ZN32	Handrail guide, passenger side, right side, LL	

**508NCE/512NCE/515NPE-S/
515NPE-L/LINK V2.8 ESCALATOR
Handrail Guide w/ Illumination**

**Spare Parts Leaflet
57-DAA26228BJ**



515NPE-S - EN/HK/SAA/JIS/GB CODE



LOWER LANDING = LL

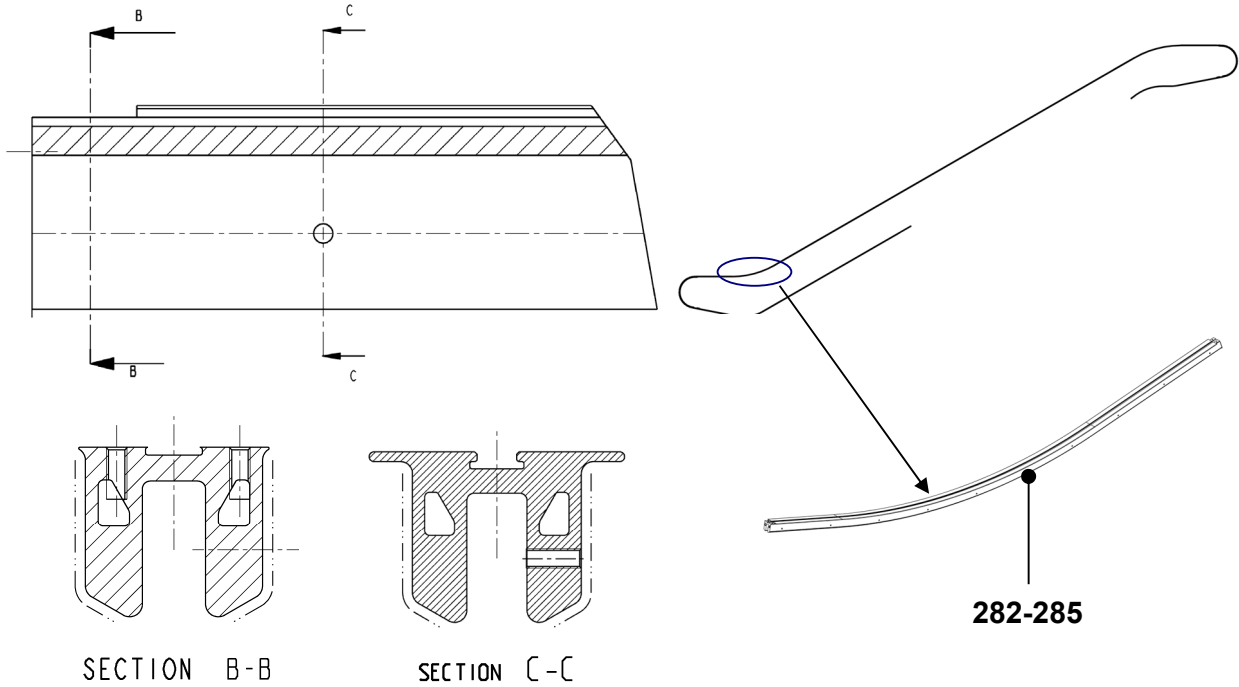
DAA26228BJ			
REF. No.	PART No.	DESCRIPTION	
274	DAA402ZN33	Handrail guide, passenger side, left side, LL	Bal. 930, 2 flat step, 35°
275	DAA402ZN34	Handrail guide, passenger side, right side, LL	
276	DAA402ZN35	Handrail guide, passenger side, left side, LL	Bal. 930, 3 flat step, 35°
277	DAA402ZN36	Handrail guide, passenger side, right side, LL	
278	DAA402ZN37	Handrail guide, passenger side, left side, LL	Bal. 1000, 2 flat step, 35°
279	DAA402ZN38	Handrail guide, passenger side, right side, LL	
280	DAA402ZN39	Handrail guide, passenger side, left side, LL	Bal. 1000, 3 flat step, 35°
281	DAA402ZN40	Handrail guide, passenger side, right side, LL	

**508NCE/512NCE/515NPE-S/
515NPE-L/LINK V2.8 ESCALATOR
Handrail Guide w/ Illumination**

**Spare Parts Leaflet
57-DAA26228BJ**



512NCE - ANSI CODE

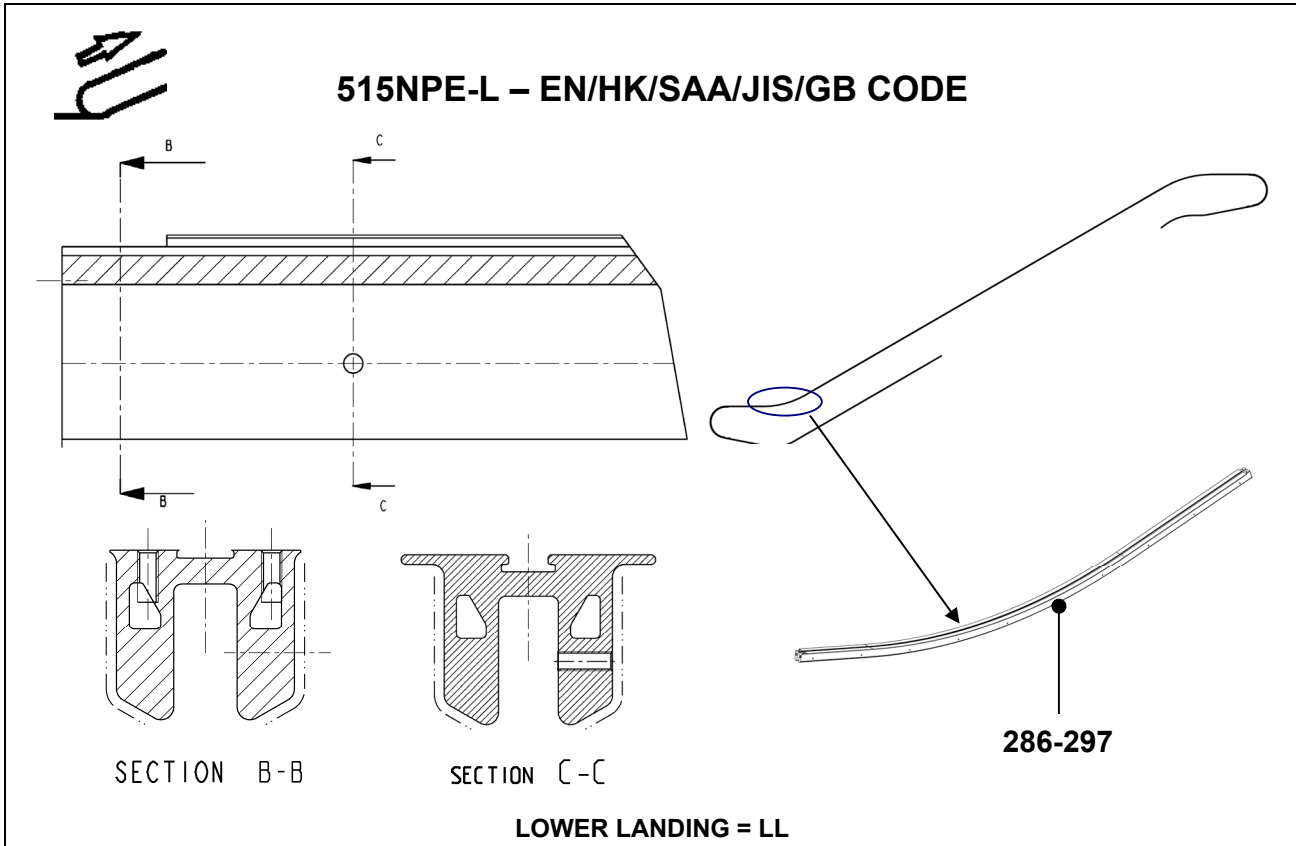


LOWER LANDING = LL

DAA26228BJ			
REF. No.	PART No.	DESCRIPTION	
282	DAA402ZN69	Handrail guide, passenger side, left side, LL	Bal. 1000, 2 flat step, 30°
283	DAA402ZN70	Handrail guide, passenger side, right side, LL	
284	DAA402ZN71	Handrail guide, passenger side, left side, LL	Bal. 1000, 3 flat step, 30°
285	DAA402ZN72	Handrail guide, passenger side, right side, LL	

**508NCE/512NCE/515NPE-S/
515NPE-L/LINK V2.8 ESCALATOR
Handrail Guide w/ Illumination**

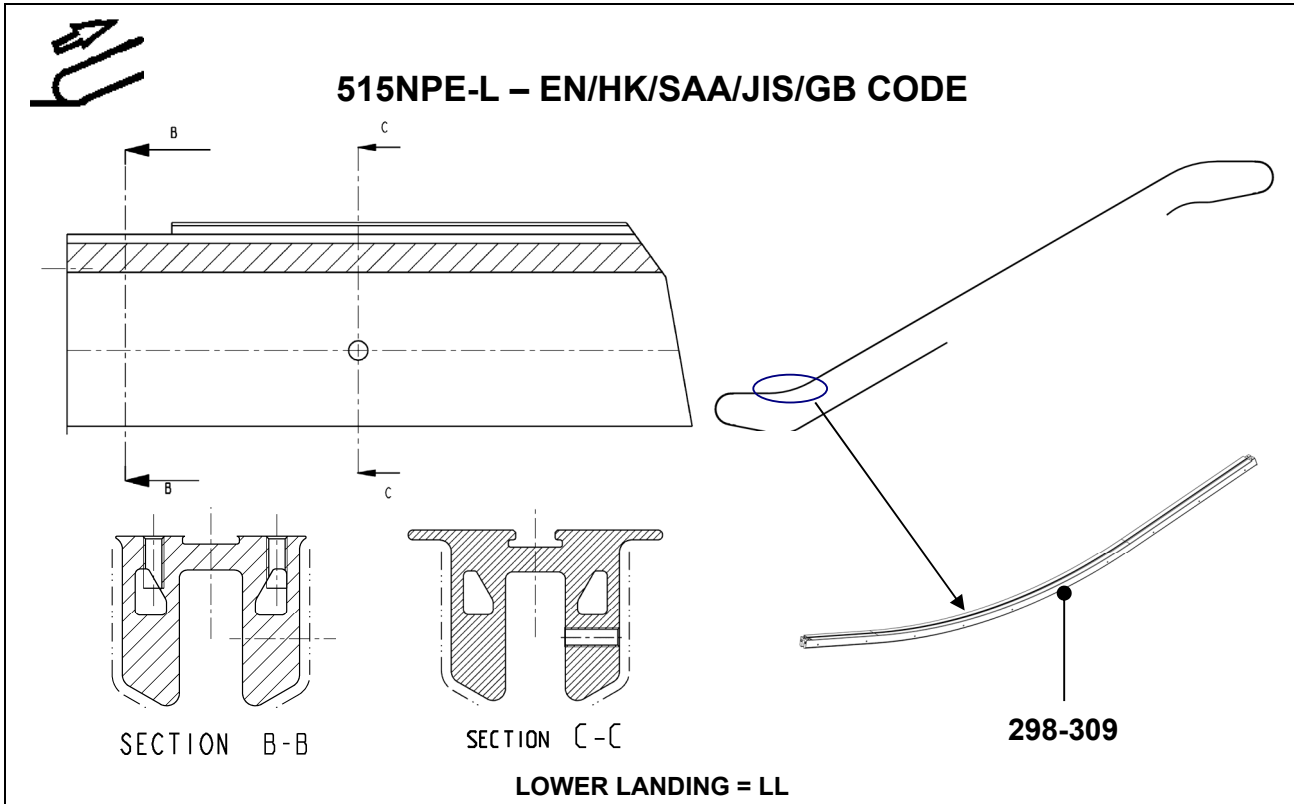
**Spare Parts Leaflet
57-DAA26228BJ**



DAA26228BJ			
REF. No.	PART No.	DESCRIPTION	
286	DAA402ZN41	Handrail guide, passenger side, left side, LL	Bal. 930, 2 flat step, 30°
287	DAA402ZN42	Handrail guide, passenger side, right side, LL	
288	DAA402ZN43	Handrail guide, passenger side, left side, LL	Bal. 930, 3 flat step, 30°
289	DAA402ZN44	Handrail guide, passenger side, right side, LL	
290	DAA402ZN45	Handrail guide, passenger side, left side, LL	Bal. 930, 4 flat step, 30°
291	DAA402ZN46	Handrail guide, passenger side, right side, LL	
292	DAA402ZN47	Handrail guide, passenger side, left side, LL	Bal. 1000, 2 flat step, 30°
293	DAA402ZN48	Handrail guide, passenger side, right side, LL	
294	DAA402ZN49	Handrail guide, passenger side, left side, LL	Bal. 1000, 3 flat step, 30°
295	DAA402ZN50	Handrail guide, passenger side, right side, LL	
296	DAA402ZN51	Handrail guide, passenger side, left side, LL	Bal. 1000, 4 flat step, 30°
297	DAA402ZN52	Handrail guide, passenger side, right side, LL	

**508NCE/512NCE/515NPE-S/
515NPE-L/LINK V2.8 ESCALATOR
Handrail Guide w/ Illumination**

**Spare Parts Leaflet
57-DAA26228BJ**



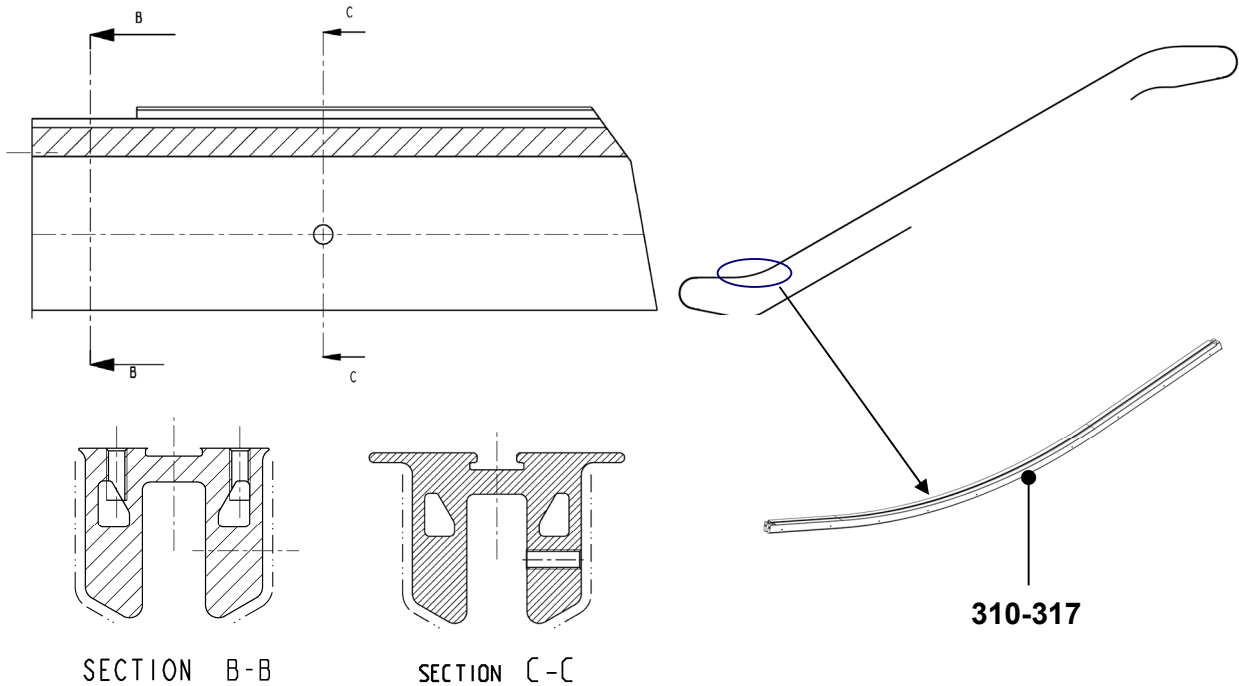
DAA26228BJ			
REF. No.	PART No.	DESCRIPTION	
298	DAA402ZN53	Handrail guide, passenger side, left side, LL	Bal. 930, 2 flat step, 35°
299	DAA402ZN54	Handrail guide, passenger side, right side, LL	
300	DAA402ZN55	Handrail guide, passenger side, left side, LL	Bal. 930, 3 flat step, 35°
301	DAA402ZN56	Handrail guide, passenger side, right side, LL	
302	DAA402ZN57	Handrail guide, passenger side, left side, LL	Bal. 930, 4 flat step, 35°
303	DAA402ZN58	Handrail guide, passenger side, right side, LL	
304	DAA402ZN59	Handrail guide, passenger side, left side, LL	Bal. 1000, 2 flat step, 35°
305	DAA402ZN60	Handrail guide, passenger side, right side, LL	
306	DAA402ZN61	Handrail guide, passenger side, left side, LL	Bal. 1000, 3 flat step, 35°
307	DAA402ZN62	Handrail guide, passenger side, right side, LL	
308	DAA402ZN63	Handrail guide, passenger side, left side, LL	Bal. 1000, 4 flat step, 35°
309	DAA402ZN64	Handrail guide, passenger side, right side, LL	

**508NCE/512NCE/515NPE-S/
515NPE-L/LINK V2.8 ESCALATOR
Handrail Guide w/ Illumination**

**Spare Parts Leaflet
57-DAA26228BJ**



LINK V2.8 - EN/GB CODE

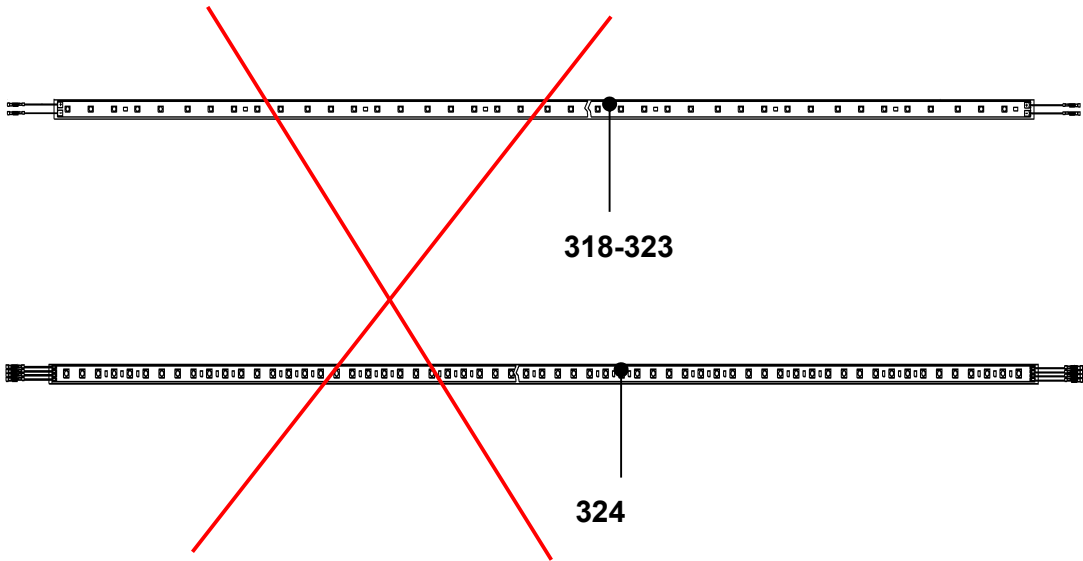


LOWER LANDING = LL

DAA26228BJ			
REF. No.	PART No.	DESCRIPTION	
310	DAA402ZN81	Handrail guide, passenger side, left side, LL	Bal. 930, 2 flat step, 30°
311	DAA402ZN82	Handrail guide, passenger side, right side, LL	
312	DAA402ZN83	Handrail guide, passenger side, left side, LL	Bal. 930, 3 flat step, 30°
313	DAA402ZN84	Handrail guide, passenger side, right side, LL	
314	DAA402ZN85	Handrail guide, passenger side, left side, LL	Bal. 1000, 2 flat step, 30°
315	DAA402ZN86	Handrail guide, passenger side, right side, LL	
316	DAA402ZN87	Handrail guide, passenger side, left side, LL	Bal. 1000, 3 flat step, 30°
317	DAA402ZN88	Handrail guide, passenger side, right side, LL	

**508NCE/512NCE/515NPE-S/
515NPE-L/LINK V2.8 ESCALATOR
Handrail Guide w/ Illumination**

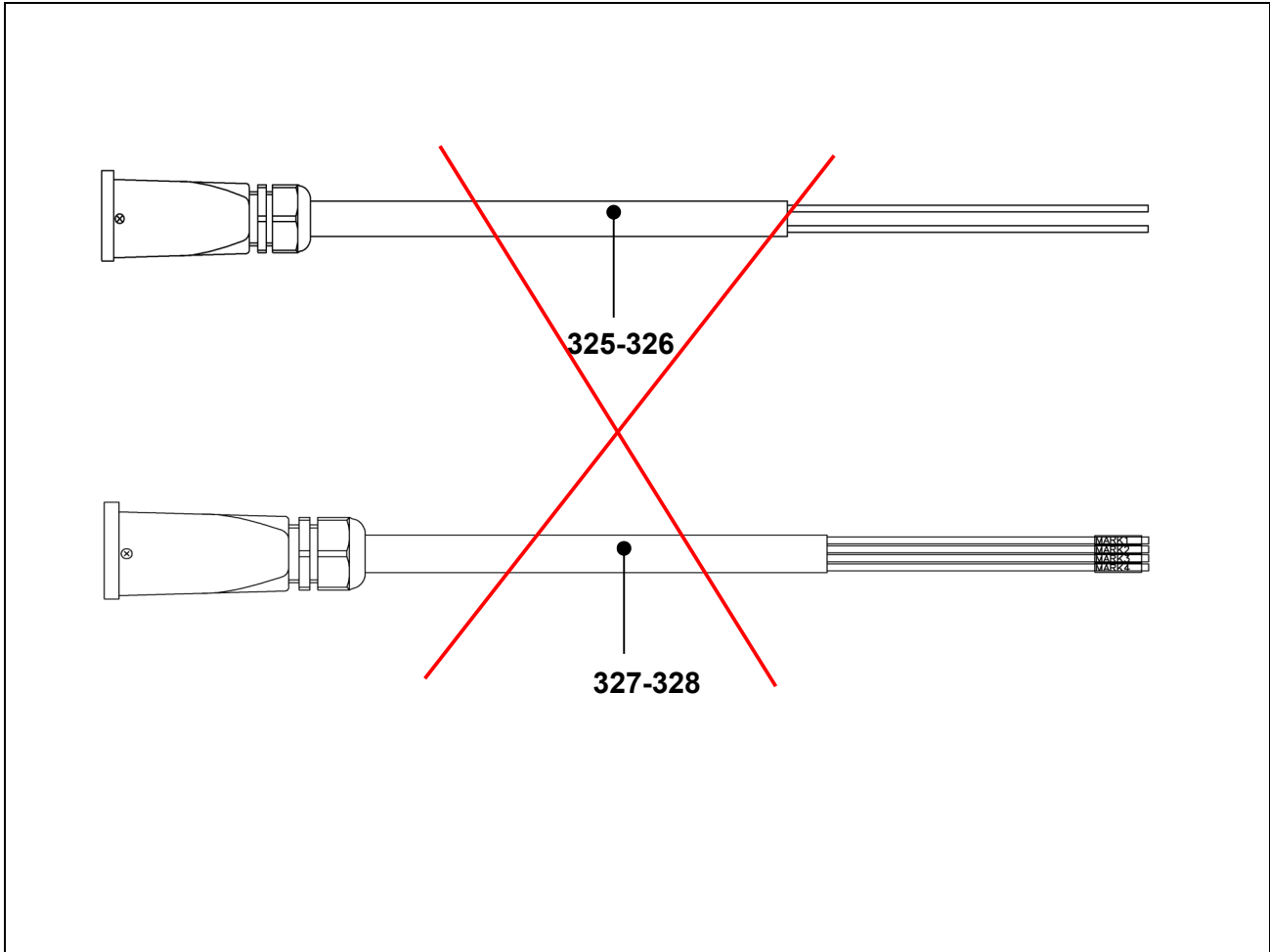
**Spare Parts Leaflet
57-DAA26228BJ**



DAA26228BJ			
REF. No.	PART No.	DESCRIPTION	
318	DAA424AG1	Balustrade illumination, cold white	Length per spec.
319	DAA424AG2	Balustrade illumination, warm white	
320	DAA424AG3	Balustrade illumination, red	
321	DAA424AG4	Balustrade illumination, yellow	
322	DAA424AG5	Balustrade illumination, blue	
323	DAA424AG6	Balustrade illumination, green	
324	DAA424AG7	Balustrade illumination, red & blue & green	

**508NCE/512NCE/515NPE-S/
515NPE-L/LINK V2.8 ESCALATOR
Handrail Guide w/ Illumination**

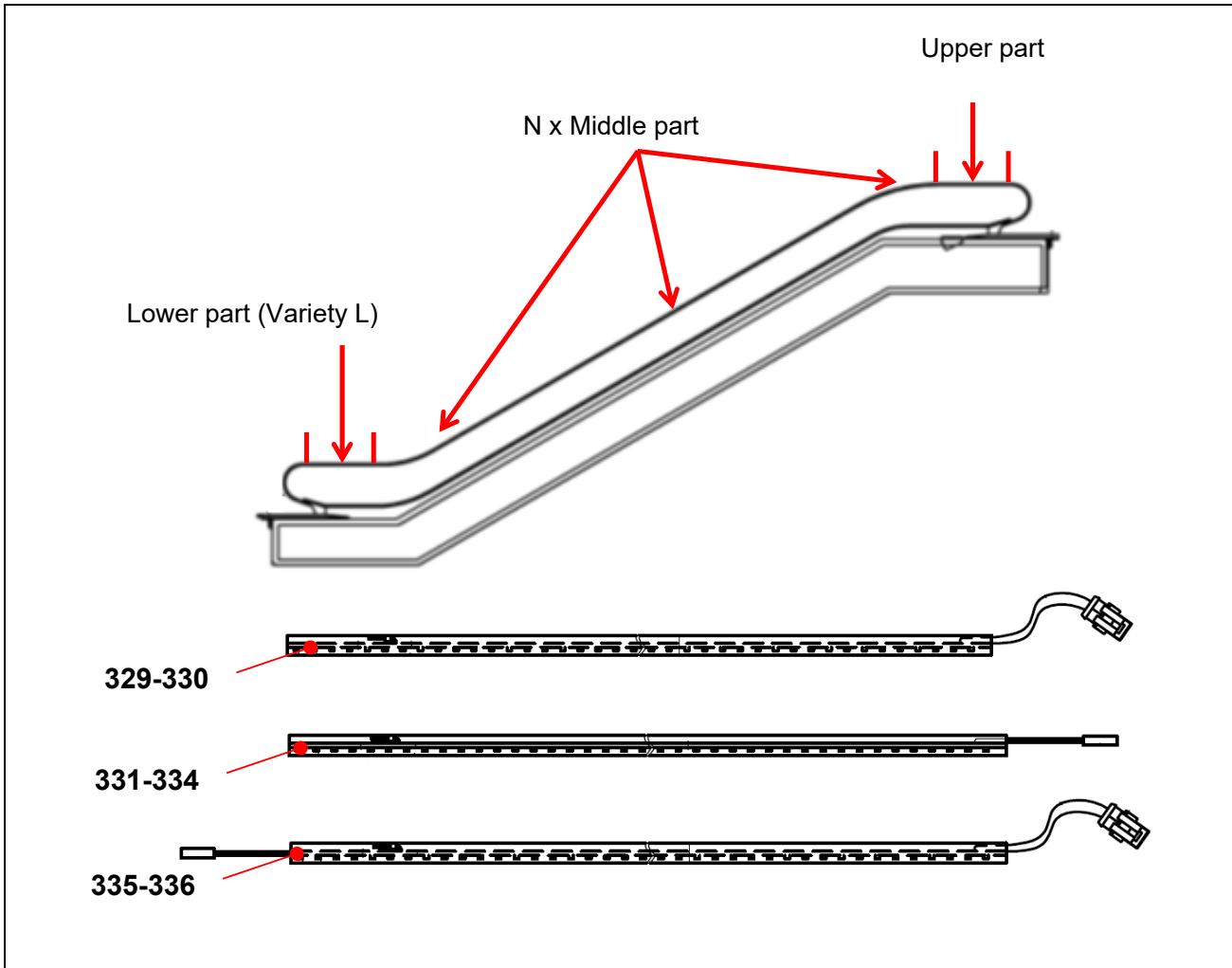
**Spare Parts Leaflet
57-DAA26228BJ**



DAA26228BJ			
REF. No.	PART No.	DESCRIPTION	
325	DAA174BSV1	Lighting cable, one color	EN115/JIS
326	DAA174BSV2	Lighting cable, one color	ANSI
327	DAA174BSV3	Lighting cable, tricolor	EN115/JIS
328	DAA174BSV4	Lighting cable, tricolor	ANSI

**508NCE/512NCE/515NPE-S/
515NPE-L/LINK V2.8 ESCALATOR
Handrail Guide w/ Illumination**

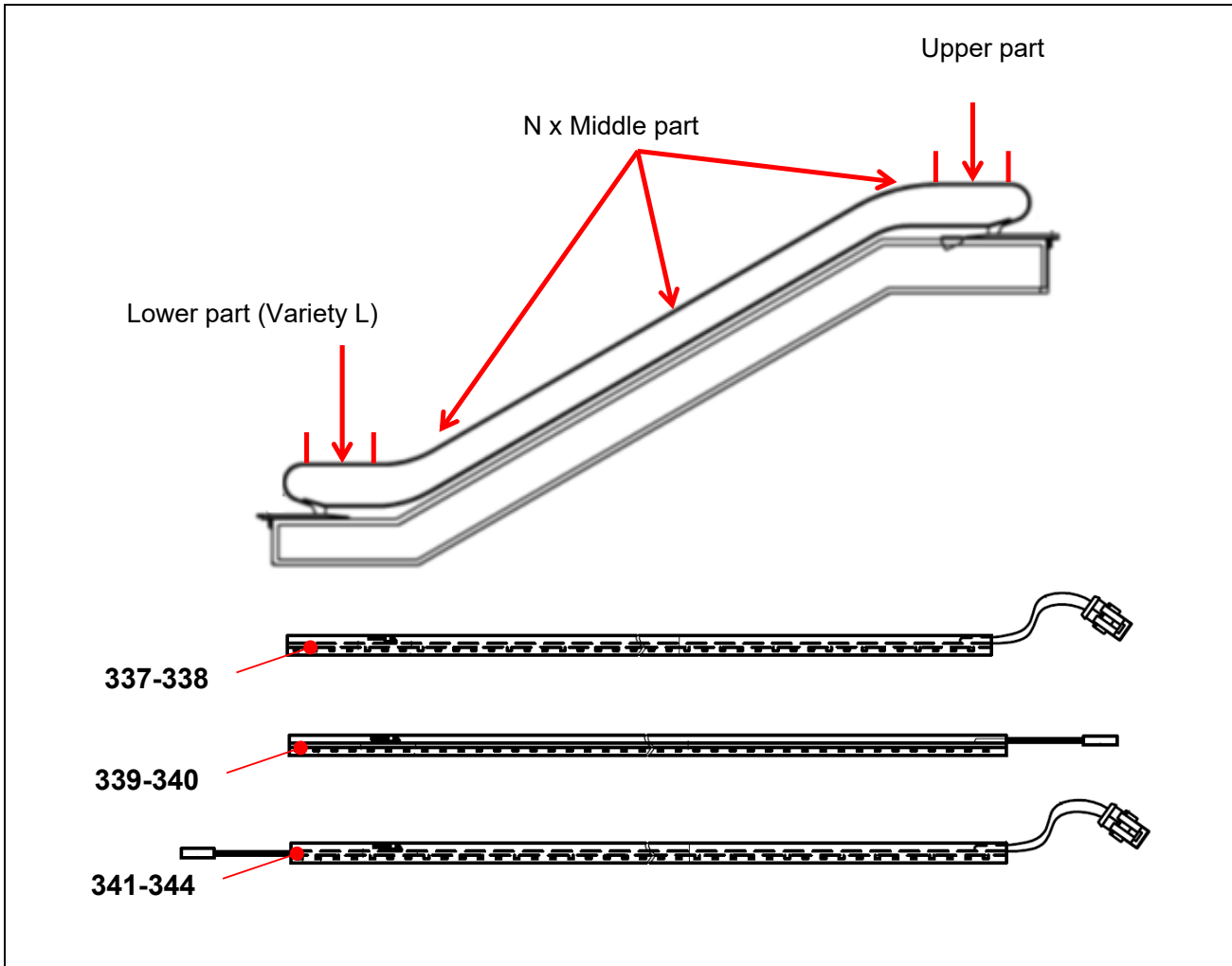
**Spare Parts Leaflet
57-DAA26228BJ**



DAA26228BJ			
REF. No.	PART No.	DESCRIPTION	
329	DAA424AZ1	Bal. illumination upper part, warm white	w/ flexible flat cable
330	DAA424AZ2	Bal. illumination upper part, yellow	
331	DAA424AZ3	Bal. illumination middle part, warm white	
332	DAA424AZ4	Bal. illumination middle part, yellow	
333	DAA424AZ999	Bal. illumination lower part, warm white, for total length ≤ 30m	
334	DAA424AZ998	Bal. illumination lower part, yellow, for total length ≤ 30m	
335	DAA424BA995	Bal. illumination lower part, warm white, for total length > 30m	w/ flexible flat cable
336	DAA424BA994	Bal. illumination lower part, yellow, for total length > 30m	

**508NCE/512NCE/515NPE-S/
515NPE-L/LINK V2.8 ESCALATOR
Handrail Guide w/ Illumination**

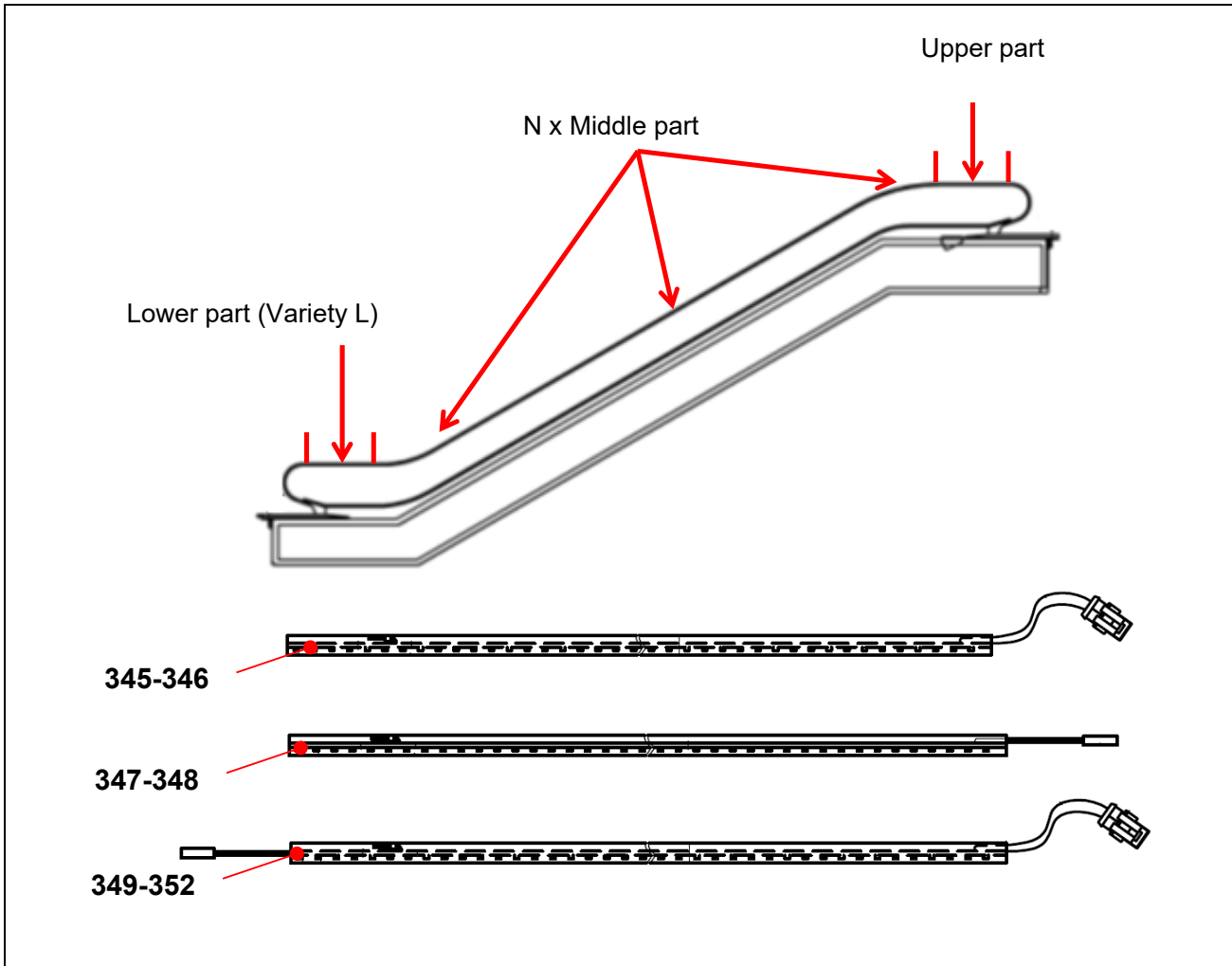
**Spare Parts Leaflet
57-DAA26228BJ**



DAA26228BJ			
REF. No.	PART No.	DESCRIPTION	
337	XAA424AQ1	Bal. illumination upper part, blue	w/ flexible flat cable
338	XAA424AQ2	Bal. illumination upper part, green	
339	XAA424AQ5	Bal. illumination middle part, blue	
340	XAA424AQ6	Bal. illumination middle part, green	
341	XAA424AQ999	Bal. illumination lower part, blue, for total length ≤ 30m	
342	XAA424AQ998	Bal. illumination lower part, green, for total length ≤ 30m	
343	DAA424BA999	Bal. illumination lower part, blue, for total length > 30m	w/ flexible flat cable
344	DAA424BA998	Bal. illumination lower part, green, for total length > 30m	

**508NCE/512NCE/515NPE-S/
515NPE-L/LINK V2.8 ESCALATOR
Handrail Guide w/ Illumination**

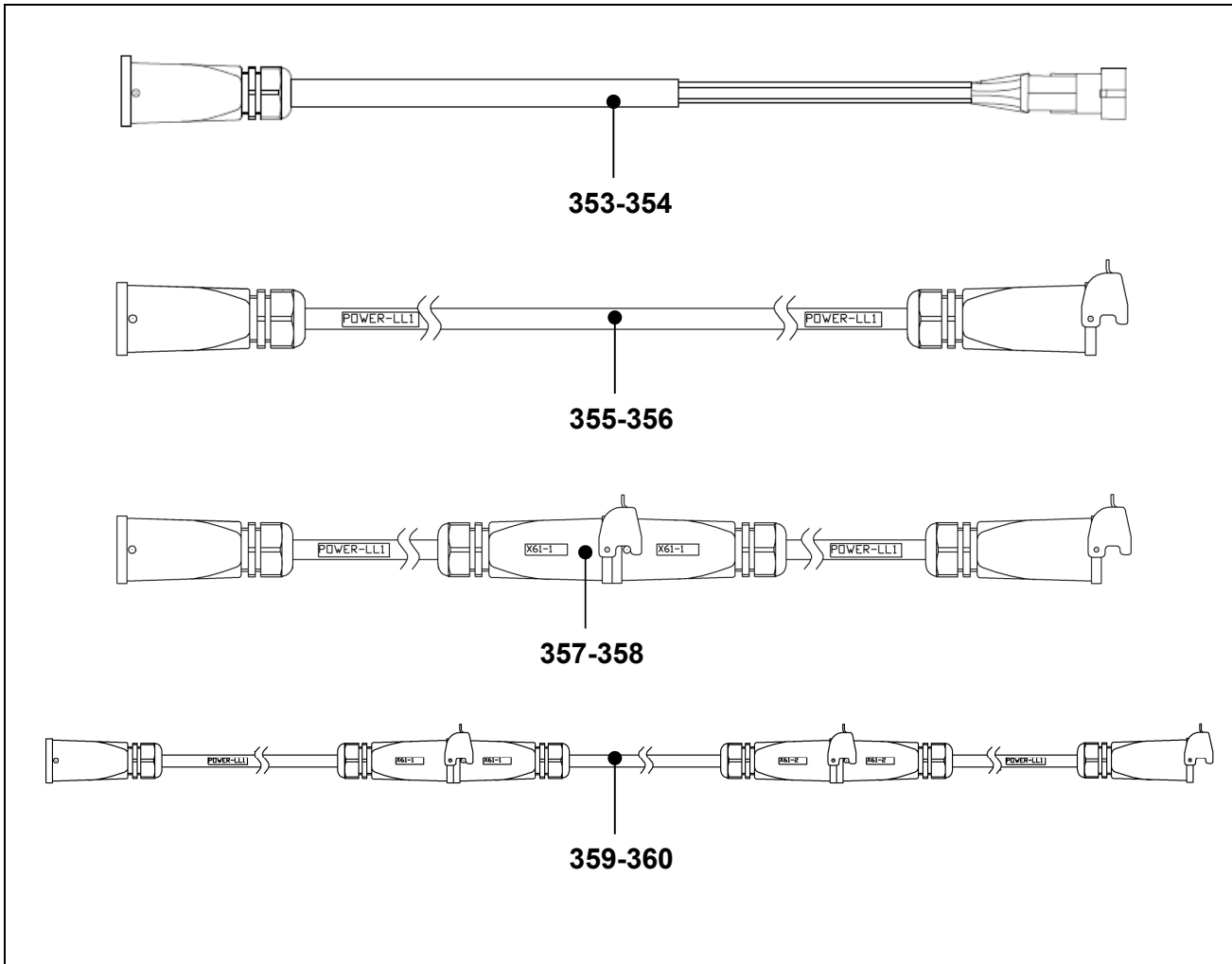
**Spare Parts Leaflet
57-DAA26228BJ**



DAA26228BJ			
REF. No.	PART No.	DESCRIPTION	
345	XAA424AQ4	Bal. illumination upper part, red	w/ flexible flat cable
346	XAA424AQ3	Bal. illumination upper part, cold white	
347	XAA424AQ8	Bal. illumination middle part, red	
348	XAA424AQ7	Bal. illumination middle part, cold white	
349	XAA424AQ996	Bal. illumination lower part, red, for total length ≤ 30m	
350	XAA424AQ997	Bal. illumination lower part, cold white, for total length ≤ 30m	
351	DAA424BA996	Bal. illumination lower part, red, for total length > 30m	w/ flexible flat cable
352	DAA424BA997	Bal. illumination lower part, cold white, for total length > 30m	

**508NCE/512NCE/515NPE-S/
515NPE-L/LINK V2.8 ESCALATOR
Handrail Guide w/ Illumination**

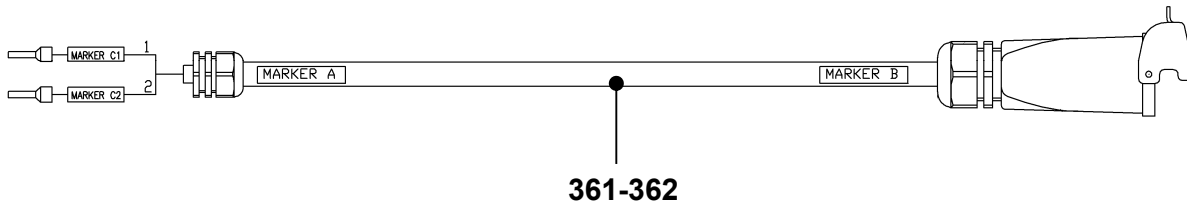
**Spare Parts Leaflet
57-DAA26228BJ**



DAA26228BJ			
REF. No.	PART No.	DESCRIPTION	
353	DAA174CYW1	Cable	EN115/JIS
354	DAA174CYW2	Cable	ANSI
355	DAA174BJY1	Cable, for one piece unit	EN115/JIS
356	DAA174BJY2	Cable, for one piece unit	ANSI
357	DAA174BJY5	Cable, for two pieces unit	EN115/JIS
358	DAA174BJY6	Cable, for two pieces unit	ANSI
359	DAA174BJY9	Cable, for three or more pieces unit	EN115/JIS
360	DAA174BJY10	Cable, for three or more pieces unit	ANSI

**508NCE/512NCE/515NPE-S/
515NPE-L/LINK V2.8 ESCALATOR
Handrail Guide w/ Illumination**

**Spare Parts Leaflet
57-DAA26228BJ**



DAA26228BJ			
REF. No.	PART No.	DESCRIPTION	
361	DAA174BSX1	Cable, CUL-BI_X28.1	For GCS-ANSI SYSTEM
362	DAA174BSX2	Cable, CUL-BI_X28.2	