

OTIS 508NCE ANSI
Escalator Balustrade Glass/Interior
Panel

History

Leaflet Description

Balustrade Glass/Interior Panel

Leaflet Revisions

Date Revised	Subject Matter Expert	Reason for Revision
May 8, 2009	Li, Biao	Release
June 30, 2017	Zhang Hengxun	REF. No. 49-136, DAA434...changed to DBA434...

Related Drawings

Drawing No.	Title	Drawing No.	Title
DAA26228BQ	Balustrade Glass/Interior Panel		

Related Documents

Document ID	Title
ODS DAA27076DP	Balustrade Glass/Interior Panel

Subject Matter Expert

Name	Department
Li, Biao	SIT-Guangzhou

About Spare Parts Leaflets...

This document lists the lowest replaceable units (LRUs) for the standard version of the product. The LRUs are chosen by a team of Otis associates representing engineering and manufacturing.

While goal of this document is to make parts identification as easy as possible, the document cannot be all-inclusive. Elevator and escalator contracts classified as "special" or "custom" are not addressed here. For such contracts, please refer to specified information, the contract folder, TIPS, Field Education Articles, Construction Letters, etc. for further information.

If you have any suggestions about this document, please contact the subject matter expert listed on this page.

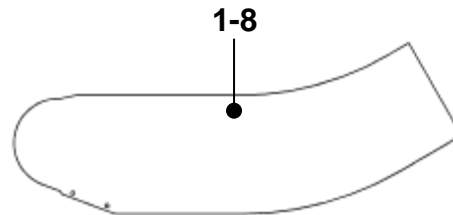
OTIS 508NCE ANSI Escalator

Balustrade Glass/Interior Panel

**Spare Parts Leaflet
57-DAA26228BQ**



w/o illumination
For Roller Newel
Perpendicular to Step Nose Line



LOWER LANDING

DAA26228BQ

REF. No.	PART No.	DESCRIPTION			
1	DAA434GK1	Glass panel	Clear	Balustrade Heights 1000m 2 Flat steps	ANSI 30°
2	DAA434GK2	Glass panel	Smoked		
3	DAA434GK3	Glass panel	Green		
4	DAA434GK4	Glass panel	Bronze		
5	DAA434GK5	Glass panel	Clear	Balustrade Heights 1000mm 3 Flat steps	
6	DAA434GK6	Glass panel	Smoked		
7	DAA434GK7	Glass panel	Green		
8	DAA434GK8	Glass panel	Bronze		

OTIS 508NCE ANSI

Escalator

Balustrade Glass/Interior Panel

Spare Parts Leaflet

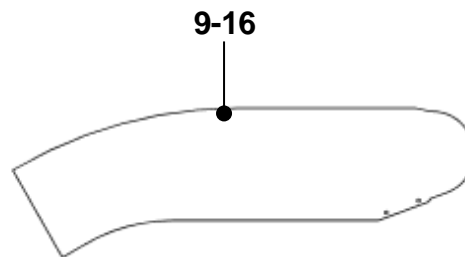
57-DAA26228BQ



w/o illumination

For Roller Newel

Perpendicular to Step Nose Line



UPPER LANDING

DAA26228BQ

REF. No.	PART No.	DESCRIPTION			
9	DAA434GL1	Glass panel	Clear	Balustrade Heights 1000mm 2 Flat steps	ANSI 30°
10	DAA434GL2	Glass panel	Smoked		
11	DAA434GL3	Glass panel	Green		
12	DAA434GL4	Glass panel	Bronze		
13	DAA434GL5	Glass panel	Clear	Balustrade Heights 1000mm 3 Flat steps	
14	DAA434GL6	Glass panel	Smoked		
15	DAA434GL7	Glass panel	Green		
16	DAA434GL8	Glass panel	Bronze		

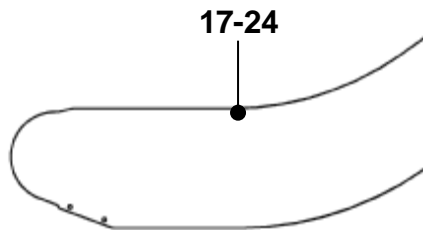
OTIS 508NCE ANSI Escalator

Balustrade Glass/Interior Panel

**Spare Parts Leaflet
57-DAA26228BQ**



w/o illumination
For Roller Newel
Perpendicular to Floor Line



LOWER LANDING

DAA26228BQ

REF. No.	PART No.	DESCRIPTION			
17	DAA434GM1	Glass panel	Clear	Balustrade Heights 1000mm 2 Flat steps	ANSI 30°
18	DAA434GM2	Glass panel	Smoked		
19	DAA434GM3	Glass panel	Green		
20	DAA434GM4	Glass panel	Bronze		
21	DAA434GM5	Glass panel	Clear	Balustrade Heights 1000mm 3 Flat steps	
22	DAA434GM6	Glass panel	Smoked		
23	DAA434GM7	Glass panel	Green		
24	DAA434GM8	Glass panel	Bronze		

OTIS 508NCE ANSI

Escalator

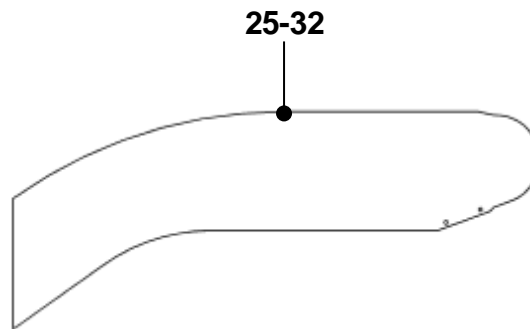
Balustrade Glass/Interior Panel

Spare Parts Leaflet

57-DAA26228BQ



w/o illumination
For Roller Newel
Perpendicular to Floor Line



UPPER LANDING

DAA26228BQ

REF. No.	PART No.	DESCRIPTION			
25	DAA434GN1	Glass panel	Clear	Balustrade Heights 1000mm 2 Flat steps	ANSI 30°
26	DAA434GN2	Glass panel	Smoked		
27	DAA434GN3	Glass panel	Green		
28	DAA434GN4	Glass panel	Bronze		
29	DAA434GN5	Glass panel	Clear	Balustrade Heights 1000mm 3 Flat steps	
30	DAA434GN6	Glass panel	Smoked		
31	DAA434GN7	Glass panel	Green		
32	DAA434GN8	Glass panel	Bronze		

OTIS 508NCE ANSI

Escalator

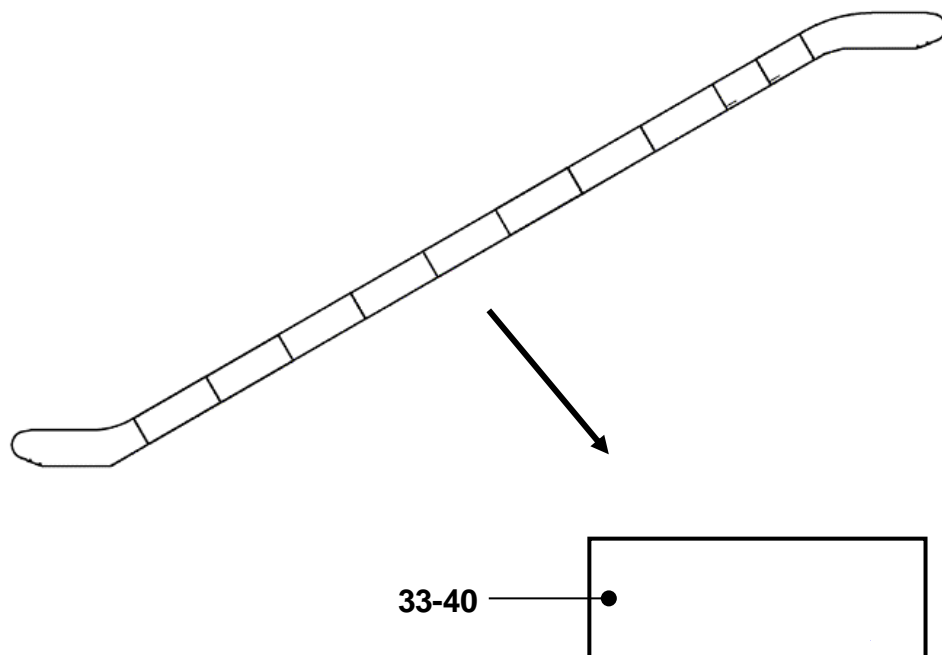
Balustrade Glass/Interior Panel

Spare Parts Leaflet

57-DAA26228BQ

w/o illumination

GLASS JOINTS PERPENDICULAR TO STEP NOSE LINE



DAA26228BQ		INCLINED SECTION				
REF. No.	PART No.	DESCRIPTION				
33	DAA434CB5	Glass panel	Clear	Length=2000mm	Balustrade Heights 1000mm	ANSI 30°
34	DAA434CB6	Glass panel	Smoked	Length=2000mm		
35	DAA434CB7	Glass panel	Green	Length=2000mm		
36	DAA434CB8	Glass panel	Bronze	Length=2000mm		
37	DAA434CB-V5	Glass panel	Clear	Per Spec.		
38	DAA434CB-V6	Glass panel	Smoked	Per Spec.		
39	DAA434CB-V7	Glass panel	Green	Per Spec.		
40	DAA434CB-V8	Glass panel	Bronze	Per Spec.		

OTIS 508NCE ANSI

Escalator

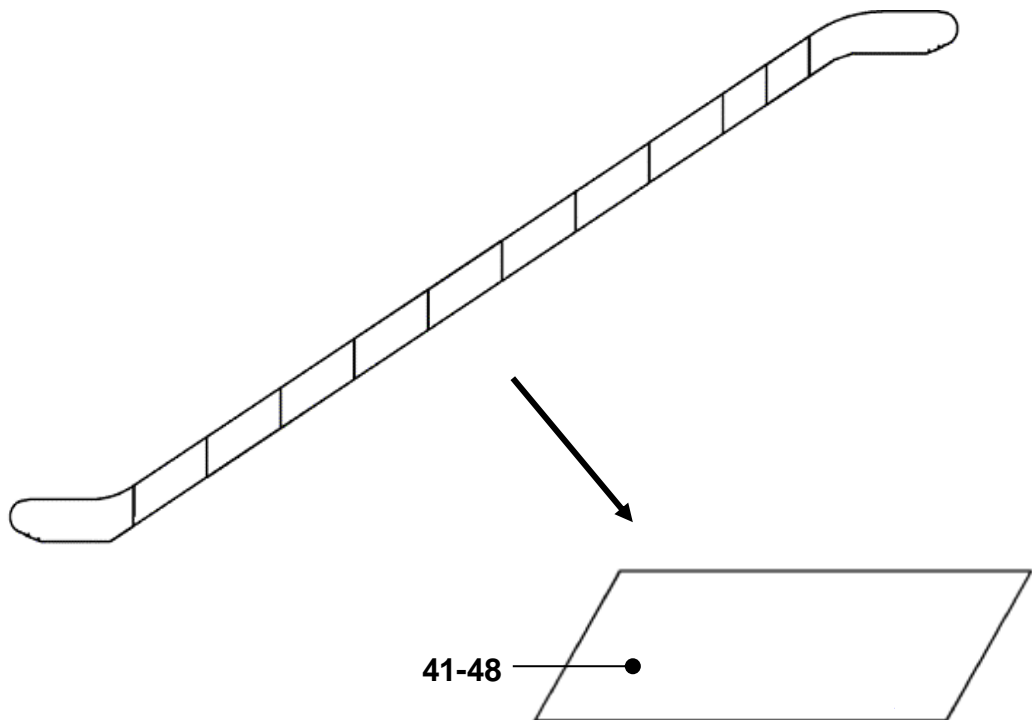
Balustrade Glass/Interior Panel

Spare Parts Leaflet

57-DAA26228BQ

w/o illumination

GLASS JOINTS PERPENDICULAR TO FLOOR PLATE



DAA26228BQ		INCLINED SECTION				
REF. No.	PART No.	DESCRIPTION				
41	DAA434CA9	Glass panel	Clear	Length=1732mm	Balustrade Heights 1000mm	ANSI 30°
42	DAA434CA10	Glass panel	Smoked	Length=1732mm		
43	DAA434CA11	Glass panel	Green	Length=1732mm		
44	DAA434CA12	Glass panel	Bronze	Length=1732mm		
45	DAA434CA-V9	Glass panel	Clear	Per Spec.		
46	DAA434CA-V10	Glass panel	Smoked	Per Spec.		
47	DAA434CA-V11	Glass panel	Green	Per Spec.		
48	DAA434CA-V12	Glass panel	Bronze	Per Spec.		

OTIS 508NCE ANSI

Escalator

Balustrade Glass/Interior Panel

Spare Parts Leaflet

57-DAA26228BQ

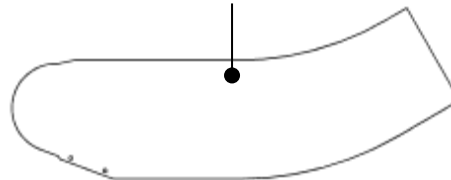


with illumination

For Roller Newel

Perpendicular to Step Nose Line

49-64



LOWER LANDING

DAA26228BQ

REF. No.	PART No.	DESCRIPTION				
49	DBA434GP1	Glass panel	Clear	Left Side	Balustrade Heights 1000m 2 Flat steps	ANSI 30°
50	DBA434GP2	Glass panel	Clear	Right Side		
51	DBA434GP3	Glass panel	Smoked	Left Side		
52	DBA434GP4	Glass panel	Smoked	Right Side		
53	DBA434GP5	Glass panel	Green	Left Side		
54	DBA434GP6	Glass panel	Green	Right Side		
55	DBA434GP7	Glass panel	Bronze	Left Side		
56	DBA434GP8	Glass panel	Bronze	Right Side		
57	DBA434GP9	Glass panel	Clear	Left Side	Balustrade Heights 1000mm 3 Flat steps	
58	DBA434GP10	Glass panel	Clear	Right Side		
59	DBA434GP11	Glass panel	Smoked	Left Side		
60	DBA434GP12	Glass panel	Smoked	Right Side		
61	DBA434GP13	Glass panel	Green	Left Side		
62	DBA434GP14	Glass panel	Green	Right Side		
63	DBA434GP15	Glass panel	Bronze	Left Side		
64	DBA434GP16	Glass panel	Bronze	Right Side		

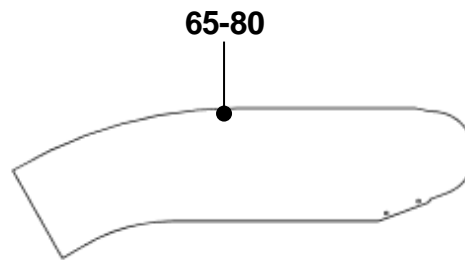
OTIS 508NCE ANSI Escalator

Balustrade Glass/Interior Panel

Spare Parts Leaflet
57-DAA26228BQ



with illumination
For Roller Newel
Perpendicular to Step Nose Line



UPPER LANDING

DAA26228BQ

REF. No.	PART No.	DESCRIPTION				
65	DBA434GQ1	Glass panel	Clear	Left Side	Balustrade Heights 1000mm 2 Flat steps	ANSI 30°
66	DBA434GQ2	Glass panel	Clear	Right Side		
67	DBA434GQ3	Glass panel	Smoked	Left Side		
68	DBA434GQ4	Glass panel	Smoked	Right Side		
69	DBA434GQ5	Glass panel	Green	Left Side		
70	DBA434GQ6	Glass panel	Green	Right Side		
71	DBA434GQ7	Glass panel	Bronze	Left Side		
72	DBA434GQ8	Glass panel	Bronze	Right Side		
73	DBA434GQ9	Glass panel	Clear	Left Side	Balustrade Heights 1000mm 3 Flat steps	
74	DBA434GQ10	Glass panel	Clear	Right Side		
75	DBA434GQ11	Glass panel	Smoked	Left Side		
76	DBA434GQ12	Glass panel	Smoked	Right Side		
77	DBA434GQ13	Glass panel	Green	Left Side		
78	DBA434GQ14	Glass panel	Green	Right Side		
79	DBA434GQ15	Glass panel	Bronze	Left Side		
80	DBA434GQ16	Glass panel	Bronze	Right Side		

OTIS 508NCE ANSI

Escalator

Balustrade Glass/Interior Panel

Spare Parts Leaflet

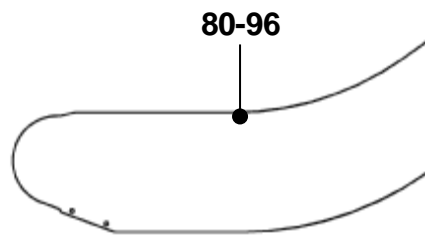
57-DAA26228BQ



with illumination

For Roller Newel

Perpendicular to Floor Line



LOWER LANDING

DAA26228BQ

REF. No.	PART No.	DESCRIPTION				
81	DBA434GR1	Glass panel	Clear	Left Side	Balustrade Heights 1000mm 2 Flat steps	ANSI 30°
82	DBA434GR2	Glass panel	Clear	Right Side		
83	DBA434GR3	Glass panel	Smoked	Left Side		
84	DBA434GR4	Glass panel	Smoked	Right Side		
85	DBA434GR5	Glass panel	Green	Left Side		
86	DBA434GR6	Glass panel	Green	Right Side		
87	DBA434GR7	Glass panel	Bronze	Left Side		
88	DBA434GR8	Glass panel	Bronze	Right Side		
89	DBA434GR9	Glass panel	Clear	Left Side	Balustrade Heights 1000mm 3 Flat steps	
90	DBA434GR10	Glass panel	Clear	Right Side		
91	DBA434GR11	Glass panel	Smoked	Left Side		
92	DBA434GR12	Glass panel	Smoked	Right Side		
93	DBA434GR13	Glass panel	Green	Left Side		
94	DBA434GR14	Glass panel	Green	Right Side		
95	DBA434GR15	Glass panel	Bronze	Left Side		
96	DBA434GR16	Glass panel	Bronze	Right Side		

OTIS 508NCE ANSI

Escalator

Balustrade Glass/Interior Panel

Spare Parts Leaflet

57-DAA26228BQ

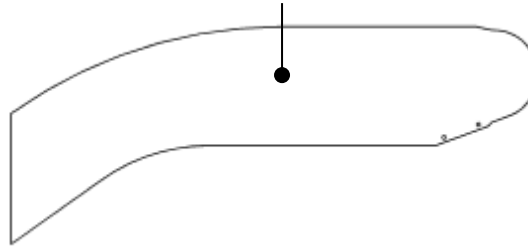


with illumination

For Roller Newel

Perpendicular to Floor Line

97-112



UPPER LANDING

DAA26228BQ

REF. No.	PART No.	DESCRIPTION				
97	DBA434GS1	Glass panel	Clear	Left Side	Balustrade Heights 1000mm 2 Flat steps	ANSI 30°
98	DBA434GS2	Glass panel	Clear	Right Side		
99	DBA434GS3	Glass panel	Smoked	Left Side		
100	DBA434GS4	Glass panel	Smoked	Right Side		
101	DBA434GS5	Glass panel	Green	Left Side		
102	DBA434GS6	Glass panel	Green	Right Side		
103	DBA434GS7	Glass panel	Bronze	Left Side		
104	DBA434GS8	Glass panel	Bronze	Right Side		
105	DBA434GS9	Glass panel	Clear	Left Side	Balustrade Heights 1000mm 3 Flat steps	
106	DBA434GS10	Glass panel	Clear	Right Side		
107	DBA434GS11	Glass panel	Smoked	Left Side		
108	DBA434GS12	Glass panel	Smoked	Right Side		
109	DBA434GS13	Glass panel	Green	Left Side		
110	DBA434GS14	Glass panel	Green	Right Side		
111	DBA434GS15	Glass panel	Bronze	Left Side		
112	DBA434GS16	Glass panel	Bronze	Right Side		

OTIS 508NCE ANSI

Escalator

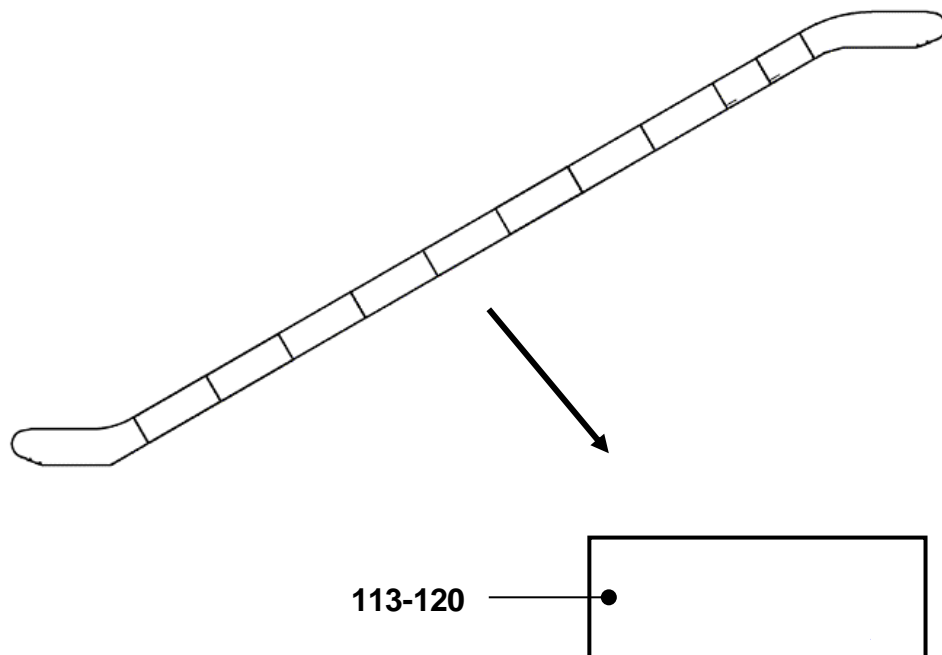
Balustrade Glass/Interior Panel

Spare Parts Leaflet

57-DAA26228BQ

with illumination

GLASS JOINTS PERPENDICULAR TO STEP NOSE LINE



DAA26228BQ		INCLINED SECTION				
REF. No.	PART No.	DESCRIPTION				
113	DBA434DT5	Glass panel	Clear	Length=2000mm	Balustrade Heights 1000mm	ANSI 30°
114	DBA434DT6	Glass panel	Smoked	Length=2000mm		
115	DBA434DT7	Glass panel	Green	Length=2000mm		
116	DBA434DT8	Glass panel	Bronze	Length=2000mm		
117	DBA434DT-V5	Glass panel	Clear	Per Spec.		
118	DBA434DT-V6	Glass panel	Smoked	Per Spec.		
119	DBA434DT-V7	Glass panel	Green	Per Spec.		
120	DBA434DT-V8	Glass panel	Bronze	Per Spec.		

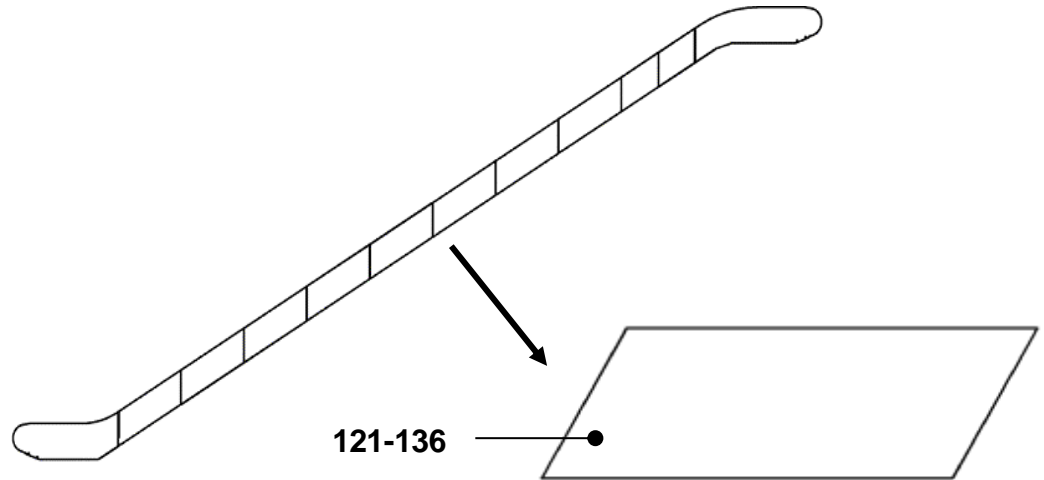
OTIS 508NCE ANSI Escalator

Balustrade Glass/Interior Panel

**Spare Parts Leaflet
57-DAA26228BQ**

with illumination

GLASS JOINTS PERPENDICULAR TO FLOOR PLATE



DAA26228BQ		INCLINED SECTION					
REF. No.	PART No.	DESCRIPTION					
121	DBA434DS17	Glass panel	Clear	Left Side	Length=1732mm	Balustrade Heights 1000mm	ANSI 30°
122	DBA434DS18	Glass panel	Clear	Right Side	Length=1732mm		
123	DBA434DS19	Glass panel	Smoked	Left Side	Length=1732mm		
124	DBA434DS20	Glass panel	Smoked	Right Side	Length=1732mm		
125	DBA434DS21	Glass panel	Green	Left Side	Length=1732mm		
126	DBA434DS22	Glass panel	Green	Right Side	Length=1732mm		
127	DBA434DS23	Glass panel	Bronze	Left Side	Length=1732mm		
128	DBA434DS24	Glass panel	Bronze	Right Side	Length=1732mm		
129	DBA434DS-V17	Glass panel	Clear	Left Side	Per Spec.		
130	DBA434DS-V18	Glass panel	Clear	Right Side	Per Spec.		
131	DBA434DS-V19	Glass panel	Smoked	Left Side	Per Spec.		
132	DBA434DS-V20	Glass panel	Smoked	Right Side	Per Spec.		
133	DBA434DS-V21	Glass panel	Green	Left Side	Per Spec.		
134	DBA434DS-V22	Glass panel	Green	Right Side	Per Spec.		
135	DBA434DS-V23	Glass panel	Bronze	Left Side	Per Spec.		
136	DBA434DS-V24	Glass panel	Bronze	Right Side	Per Spec.		

OTIS 508NCE ANSI

Escalator

Balustrade Glass/Interior Panel

Spare Parts Leaflet

57-DAA26228BQ

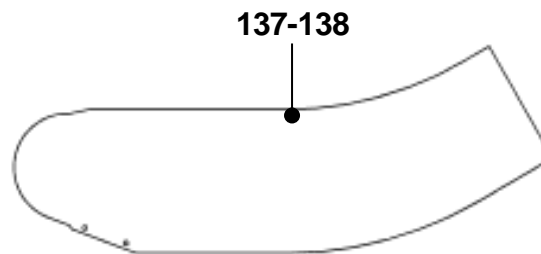


w/o illumination

For Roller Newel

ST.ST. Interior Panel G2

Perpendicular to Step Nose Line



LOWER LANDING

DAA26228BQ

REF. No.	PART No.	DESCRIPTION			
137	DAA434GT1	Interior panel	G2	Balustrade Heights 1000m 2 Flat steps	ANSI 30°
138	DAA434GT2	Interior panel	G2	Balustrade Heights 1000mm 3 Flat steps	

OTIS 508NCE ANSI

Escalator

Balustrade Glass/Interior Panel

Spare Parts Leaflet

57-DAA26228BQ

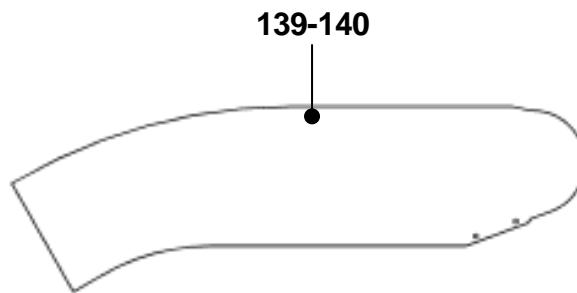


w/o illumination

For Roller Newel

ST.ST. Interior Panel G2

Perpendicular to Step Nose Line



UPPER LANDING

DAA26228BQ

REF. No.	PART No.	DESCRIPTION			
139	DAA434GV1	Interior panel	G2	Balustrade Heights 1000mm 2 Flat steps	ANSI 30°
140	DAA434GV2	Interior panel	G2	Balustrade Heights 1000mm 3 Flat steps	

OTIS 508NCE ANSI

Escalator

Balustrade Glass/Interior Panel

Spare Parts Leaflet

57-DAA26228BQ

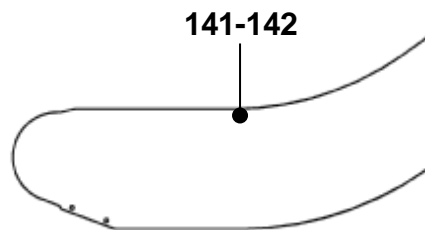


w/o illumination

For Roller Newel

ST.ST. Interior Panel G2

Perpendicular to Floor Line



LOWER LANDING

DAA26228BQ

REF. No.		PART No.		DESCRIPTION	
141	DAA434GW1	Interior panel	G2	Balustrade Heights 1000m 2 Flat steps	ANSI 30°
142	DAA434GW2	Interior panel	G2	Balustrade Heights 1000mm 3 Flat steps	

**OTIS 508NCE ANSI
Escalator**

Balustrade Glass/Interior Panel

**Spare Parts Leaflet
57-DAA26228BQ**



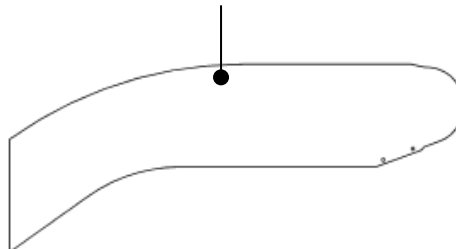
w/o illumination

For Roller Newel

ST.ST. Interior Panel G2

Perpendicular to Floor Line

143-144



UPPER LANDING

DAA26228BQ

REF. No.		PART No.		DESCRIPTION	
143	DAA434GX1	Interior panel	G2	Balustrade Heights 1000mm 2 Flat steps	ANSI 30°
144	DAA434GX2	Interior panel	G2	Balustrade Heights 1000mm 3 Flat steps	

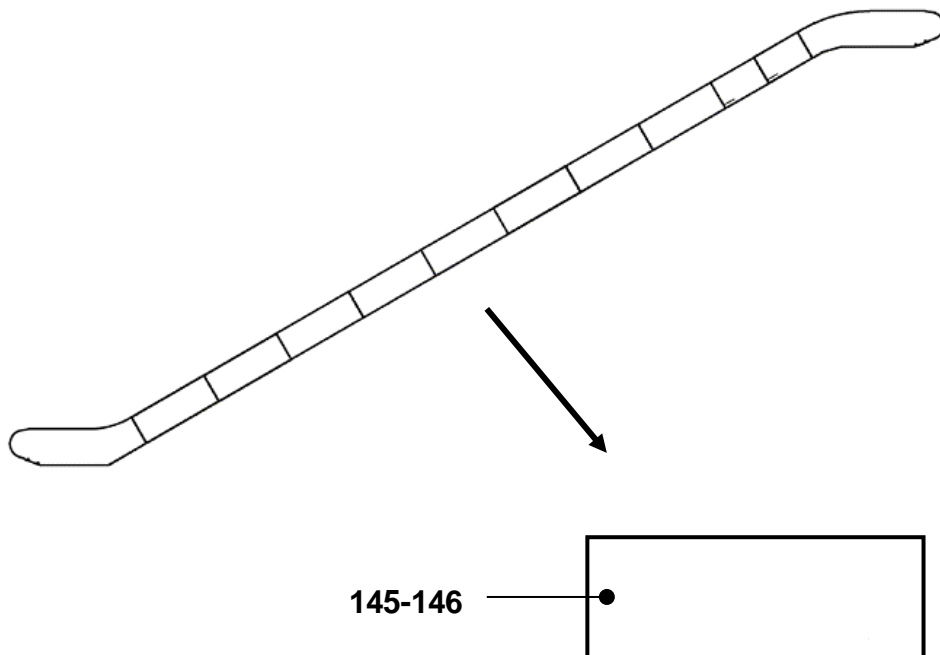
**OTIS 508NCE ANSI
Escalator**

Balustrade Glass/Interior Panel

**Spare Parts Leaflet
57-DAA26228BQ**

w/o illumination

**GLASS JOINTS PERPENDICULAR TO STEP NOSE LINE
ST.ST. INTERIOR PANEL**



DAA26228BQ		INCLINED SECTION				
REF. No.	PART No.	DESCRIPTION				
145	DAA434GY1	Interior panel	G2	Length=2000mm	Balustrade Heights 1000mm	ANSI 30°
146	DAA434GY-V1	Interior panel	G2	Per Spec.		

OTIS 508NCE ANSI

Escalator

Balustrade Glass/Interior Panel

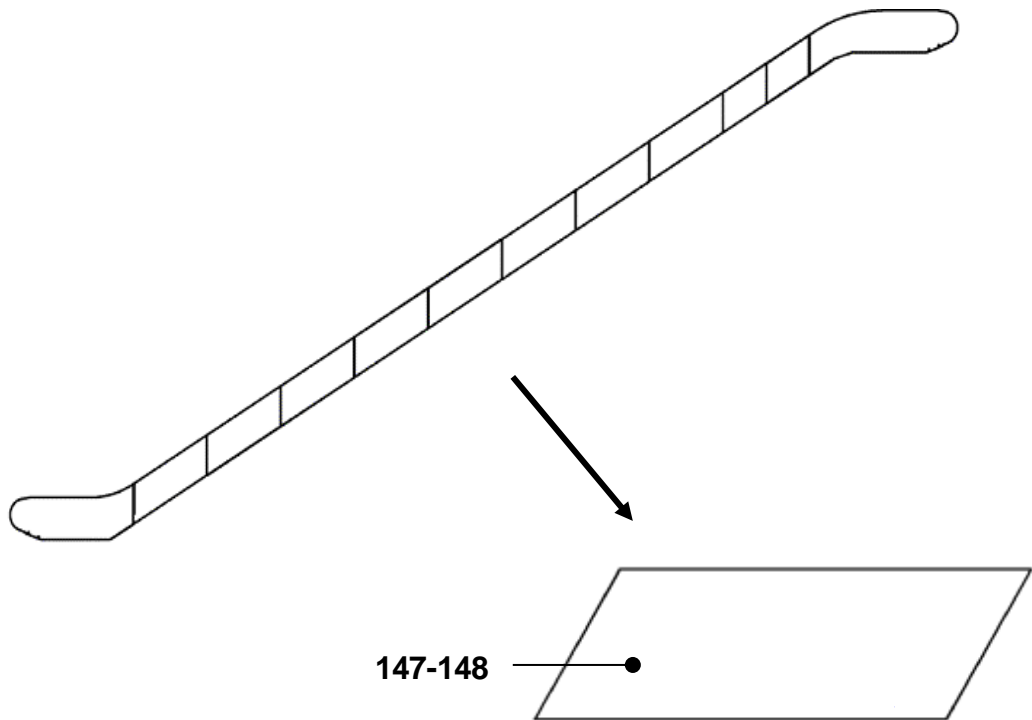
Spare Parts Leaflet

57-DAA26228BQ

w/o illumination

GLASS JOINTS PERPENDICULAR TO FLOOR PLATE

ST.ST. INTERIOR PANEL



DAA26228BQ		INCLINED SECTION				
REF. No.	PART No.	DESCRIPTION				
147	DAA434GZ1	Interior panel	G2	Length=1732mm	Balustrade Heights 1000mm	ANSI 30°
148	DAA434GZ-V1	Interior panel	G2	Per Spec.		