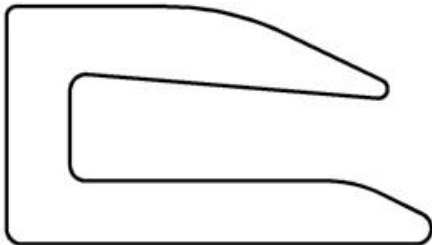
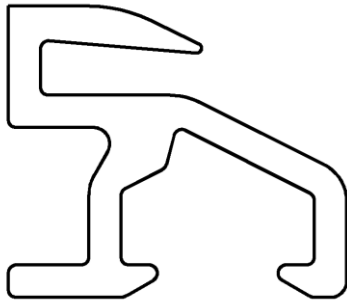


508NCE_ANSI / 512NCE_ANSI
ESCALATOR
Glass Balustrade Fastening

Spare Parts Leaflet
57-DAA26228BS
May 3, 2011 / Page 1 of 3



Unpublished Work—©Otis Elevator Co.

OTIS

Safety First!

ESCALATOR ENGINEERING
Otis Elevator Company
SIT GUANGZHOU

Leaflet Description

Glass Balustrade Fastening

- 508NCE_ANSI

- 512NCE_ANSI

Leaflet Revisions

Date Revised	Subject Matter Expert	Reason for Revision
2009-5-19	Ye, Ke	Original document
2011-05-03	-- --	Component code "56" corrected to "57"

Related Drawings

Drawing No.	Title	Drawing No.	Title
DAA26228BS	Glass Balustrade Fastening		

Related Documents

Document ID	Title
ODS DAA27076EA	Glass Balustrade Fastening

Subject Matter Expert

Name	Department
Ye, Ke	SIT-GUANGZHOU

About Spare Parts Leaflets

This document lists the lowest replaceable units (LRUs) for the standard version of the product. The LRUs are chosen by a team of Otis associates representing engineering and manufacturing.

While goal of this document is to make parts identification as easy as possible, the document cannot be all-inclusive. Elevator and escalator contracts classified as "special" or "custom" are not addressed here. For such contracts, please refer to specified information, the contract folder, TIPs, Field Education Articles, Construction Letters, etc. for further information.

If you have any suggestions about this document, please contact the subject matter expert listed on this page.

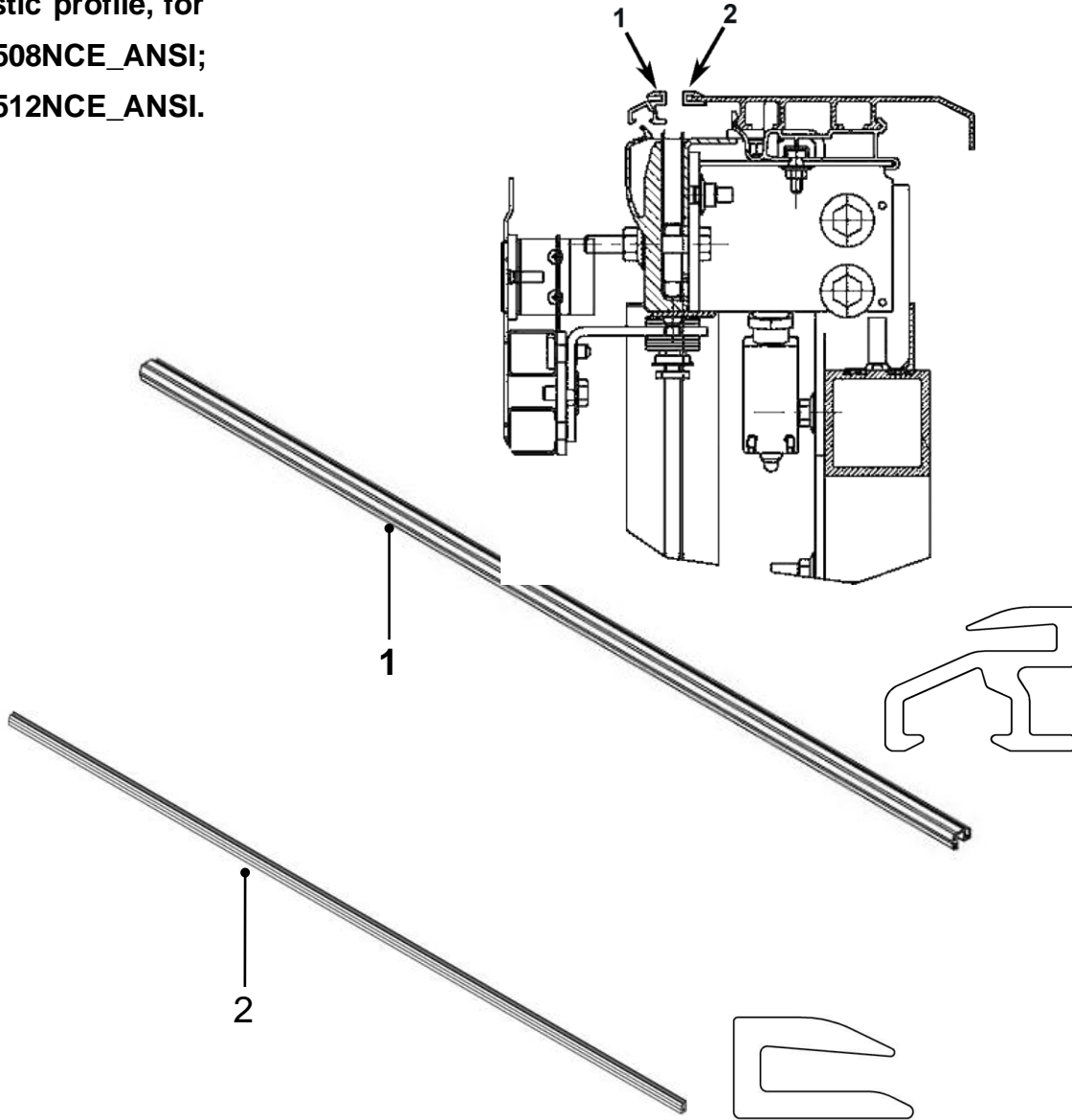
**508NCE_ANSI / 512NCE_ANSI
ESCALATOR**

Glass Balustrade Fastening

57-DAA26228BS

Plastic profile, for

- 508NCE_ANSI;
- 512NCE_ANSI.



DAA26228BS

REF. No.	PART No.	DESCRIPTION
1	GAA50AGV1	Inner decking weather protection profile
2	DAA50BG1	Outer decking weather protection profile