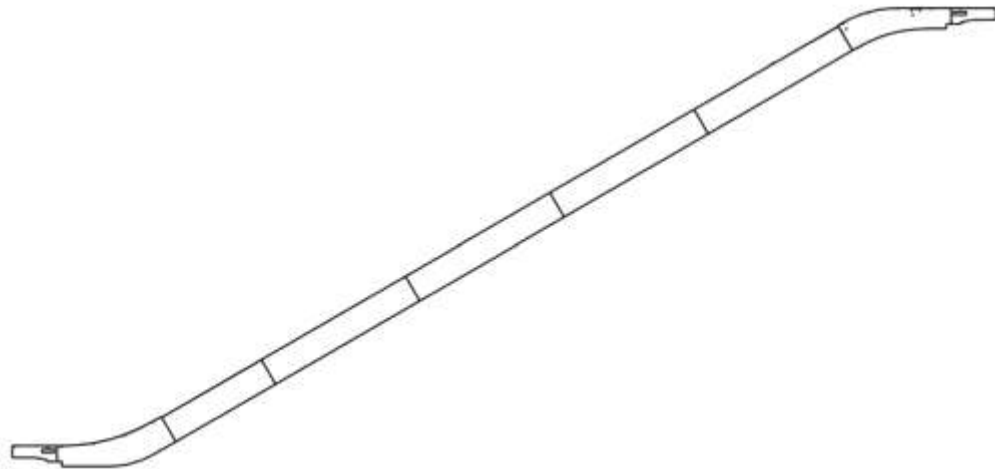


**508NCE / 512NCE  
Escalator Skirt Panel**

**Spare Parts Leaflet**

**57-DAA26228BT**

**January 30, 2011 / Page 1 of 21**



Unpublished Work—©Otis Elevator Co.

**OTIS**

**Safety First!**

**ESCALATOR ENGINEERING**  
Otis Elevator Company  
SIT GUANGZHOU

**Leaflet Description**

Skirt Panel

- 508NCE\_ANSI
- 512NCE\_ANSI

**Leaflet Revisions**

<b>Date Revised</b>	<b>Subject Matter Expert</b>	<b>Reason for Revision</b>
May 16, 2009	Ye, Ke	Original Document
April 27, 2010	Shouhong, Wang	Page 3 and page 6 modified, and page 20 page 21 added for ""512NCE_ANSI first skirt panel"
January 30, 2011	Songijian, He	Caption of the illustration on page 11 corrected to "Coating Black"

**Related Drawings**

<b>Drawing No.</b>	<b>Title</b>	<b>Drawing No.</b>	<b>Title</b>
DAA26228BT	Skirt Panel		

**Related Documents**

<b>Document ID</b>	<b>Title</b>
ODS DAA27076DZ	Skirt Panel

**Subject Matter Expert**

<b>Name</b>	<b>Department</b>
Ye, Ke	SIT GUANGZHOU

**About Spare Parts Leaflets...**

This document lists the lowest replaceable units (LRUs) for the standard version of the product. The LRUs are chosen by a team of Otis associates representing engineering and manufacturing.

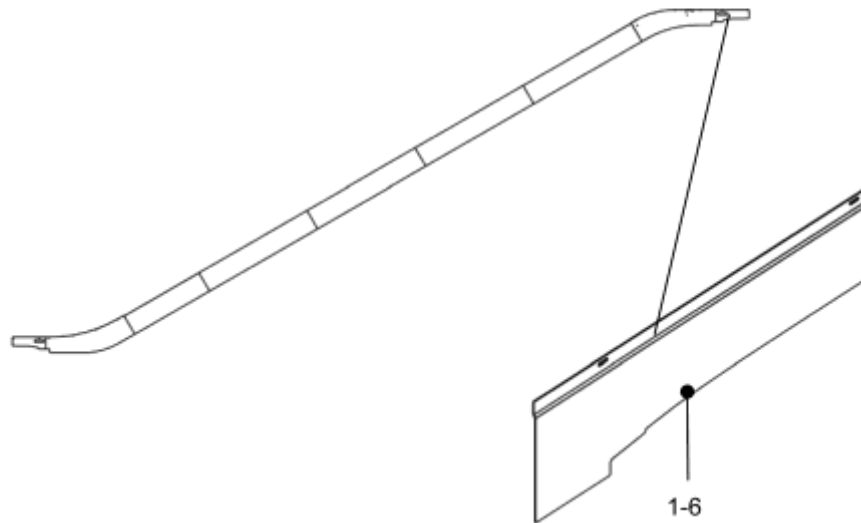
While goal of this document is to make parts identification as easy as possible, the document cannot be all-inclusive. Elevator and escalator contracts classified as "special" or "custom" are not addressed here. For such contracts, please refer to specified information, the contract folder, TIPs, Field Education Articles, Construction Letters, etc. for further information.

If you have any suggestions about this document, please contact the subject matter expert listed on this page.

**Skirt Panel**

First skirt panel, for

- 508NCE\_ANSI, Surface finish" RELIUS 536 coating black" ;
- 512NCE\_ANSI, Surface finish" RELIUS 536 coating black" .



**DAA26228BT**

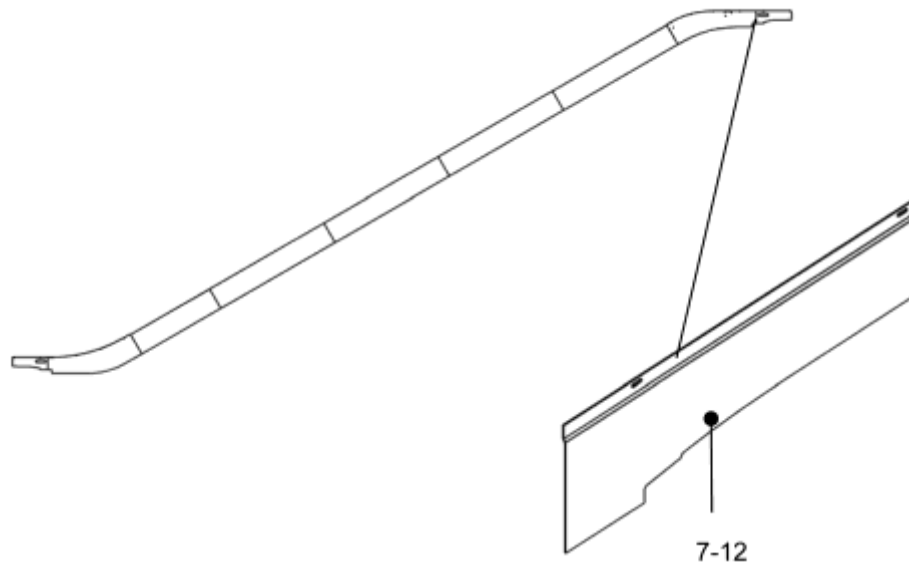
**Upper Landing = UL**

<b>REF. No.</b>	<b>PART No.</b>	<b>DESCRIPTION</b>	<b>TYPE</b>
1	DAA438MB1	First Skirt Panel, w/o Comb Lighting & w/o Skirt Panel Lighting, UL Surface Finish: "RELIUS 536 Coating Black," Left Side	2 & 3 Flat Steps
2	DAA438MB2	First Skirt Panel, w/o Comb Lighting & w/o Skirt Panel Lighting, UL Surface Finish: "RELIUS 536 Coating Black," Right Side	
3	DAA438MB5	First Skirt Panel, w/o Comb Lighting & w/Skirt Panel Lighting, UL Surface Finish: "RELIUS 536 Coating Black," Left Side	
4	DAA438MB6	First Skirt Panel, w/o Comb Lighting & w/Skirt Panel Lighting, UL Surface Finish: "RELIUS 536 Coating Black," Right Side	
5	DAA438MB9	First Skirt Panel, w/Comb Lighting & w/o Skirt Panel Lighting, UL Surface Finish: "RELIUS 536 Coating Black," Left Side	
6	DAA438MB10	First Skirt Panel, w/Comb Lighting & w/o Skirt Panel Lighting, UL Surface Finish: "RELIUS 536 Coating Black," Right Side	

**Skirt Panel**

First skirt panel, for

- 508NCE\_ANSI, Surface finish" G2 + RELIUS 536 I coating transparent"
- 512NCE\_ANSI, Surface finish" G2 + RELIUS 536 I coating transparent"



**DAA26228BT**

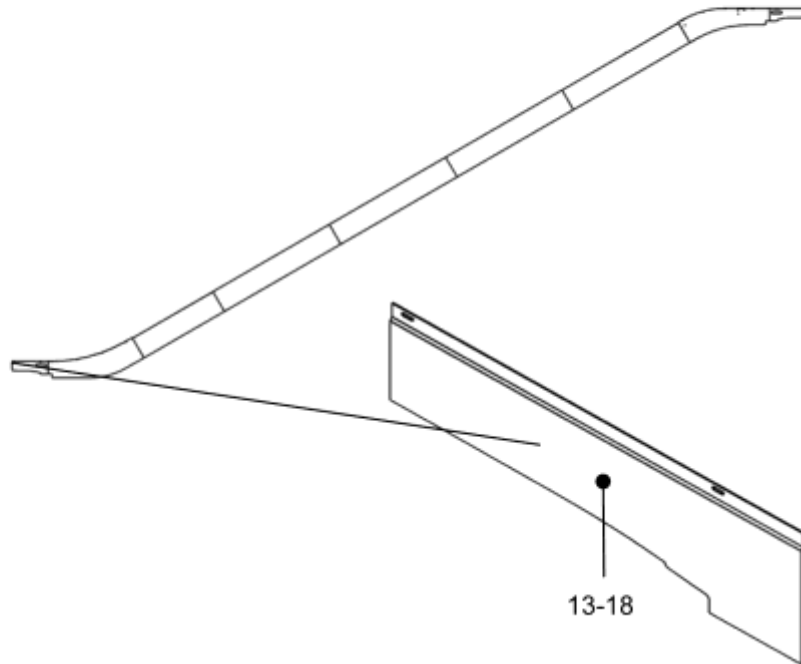
**Upper Landing = UL**

REF. No.	PART No.	DESCRIPTION	TYPE
7	DAA438MB13	First Skirt Panel, w/o Comb Lighting & w/o Skirt Panel Lighting, UL Surface Finish: "G2 + RELIUS 536 I Coating Transparent," Left Side	2 & 3 Flat Steps
8	DAA438MB14	First Skirt Panel, w/o Comb Lighting & w/o Skirt Panel Lighting, UL Surface Finish: "G2 + RELIUS 536 I Coating Transparent," Right Side	
9	DAA438MB17	First Skirt Panel, w/o Comb Lighting & w/ Skirt Panel Lighting, UL Surface Finish: "G2 + RELIUS 536 I Coating Transparent," Left Side	
10	DAA438MB18	First Skirt Panel, w/o Comb Lighting & w/ Skirt Panel Lighting, UL Surface Finish: "G2 + RELIUS 536 I Coating Transparent," Right Side	
11	DAA438MB21	First Skirt Panel, w/ Comb Lighting & w/o Skirt Panel Lighting, UL Surface Finish: "G2 + RELIUS 536 I Coating Transparent," Left Side	
12	DAA438MB22	First Skirt Panel, w/ Comb Lighting & w/o Skirt Panel Lighting, UL Surface Finish: "G2 + RELIUS 536 I Coating Transparent," Right Side	

**Skirt Panel**

First skirt panel, for

- 508NCE\_ANSI, Surface finish" RELIUS 536 coating black" .

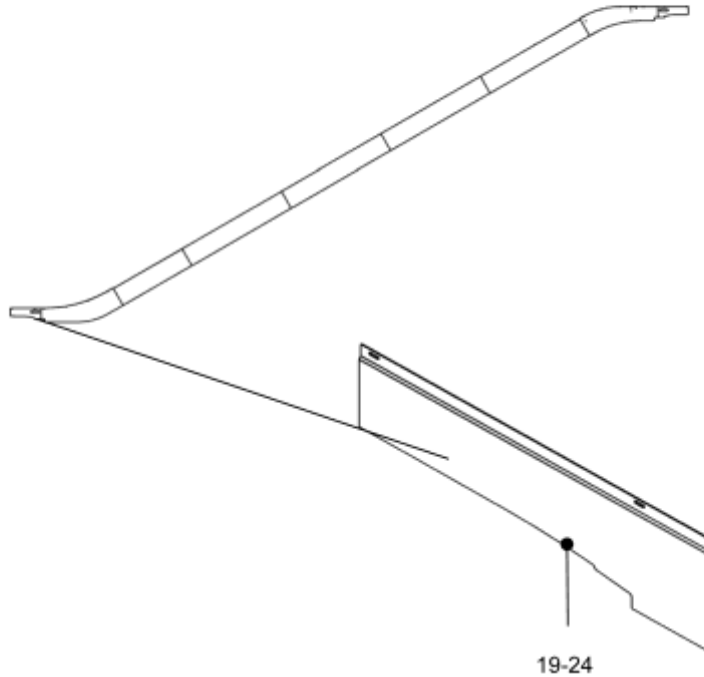


<b>DAA26228BT</b>		<b>Lower Landing = LL</b>	
<b>REF. No.</b>	<b>PART No.</b>	<b>DESCRIPTION</b>	<b>TYPE</b>
13	DAA438MB3	First Skirt Panel, w/o Comb Lighting & w/o Skirt Panel Lighting, LL Surface Finish: "RELIUS 536 Coating Black," Left Side	2 & 3 Flat Steps
14	DAA438MB4	First Skirt Panel, w/o Comb Lighting & w/o Skirt Panel Lighting, LL Surface Finish: "RELIUS 536 Coating Black," Right Side	
15	DAA438MB7	First Skirt Panel, w/o Comb Lighting & w/ Skirt Panel Lighting, LL Surface Finish: "RELIUS 536 Coating Black," Left Side	
16	DAA438MB8	First Skirt Panel, w/o Comb Lighting & w/ Skirt Panel Lighting, LL Surface Finish: "RELIUS 536 Coating Black," Right Side	
17	DAA438MB11	First Skirt Panel, w/ Comb Lighting & w/o Skirt Panel Lighting, LL Surface Finish: "RELIUS 536 Coating Black," Left Side	
18	DAA438MB12	First Skirt Panel, w/ Comb Lighting & w/o Skirt Panel Lighting, LL Surface Finish: "RELIUS 536 Coating Black," Right Side	

**Skirt Panel**

First skirt panel, for

- 508NCE\_ANSI, Surface finish" G2 + RELIUS 536 I coating transparent"

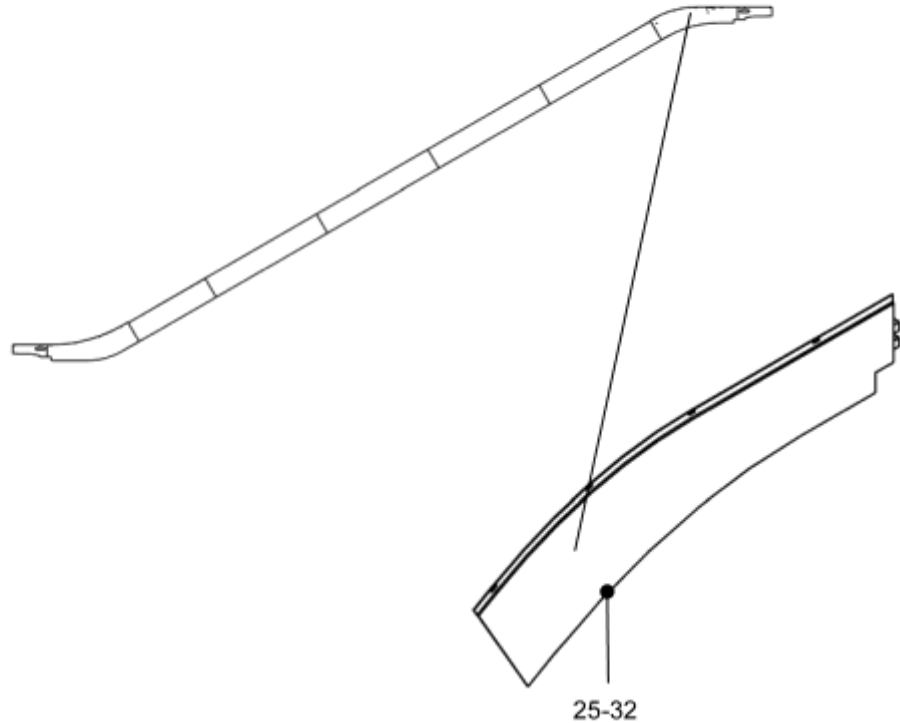


<b>DAA26228BT</b>		<b>Lower Landing = LL</b>	
<b>REF. No.</b>	<b>PART No.</b>	<b>DESCRIPTION</b>	<b>TYPE</b>
19	DAA438MB15	First Skirt Panel, w/o Comb Lighting & w/o Skirt Panel Lighting, LL Surface Finish: "G2 + RELIUS 536 I Coating Transparent," Left Side	2 & 3 Flat Steps
20	DAA438MB16	First Skirt Panel, w/o Comb Lighting & w/o Skirt Panel Lighting, LL Surface Finish: "G2 + RELIUS 536 I Coating Transparent," Right Side	
21	DAA438MB19	First Skirt Panel, w/o Comb Lighting & w/ Skirt Panel Lighting, LL Surface Finish: "G2 + RELIUS 536 I Coating Transparent," Left Side	
22	DAA438MB20	First Skirt Panel, w/o Comb Lighting & w/ Skirt Panel Lighting, LL Surface Finish: "G2 + RELIUS 536 I Coating Transparent," Right Side	
23	DAA438MB23	First Skirt Panel, w/ Comb Lighting & w/o Skirt Panel Lighting, LL Surface Finish: "G2 + RELIUS 536 I Coating Transparent," Left Side	
24	DAA438MB24	First Skirt Panel, w/ Comb Lighting & w/o Skirt Panel Lighting, LL Surface Finish: "G2 + RELIUS 536 I Coating Transparent," Right Side	

**Skirt Panel**

Curve panel, for

- 508NCE\_ANSI, Surface finish" RELIUS 536 coating black" .

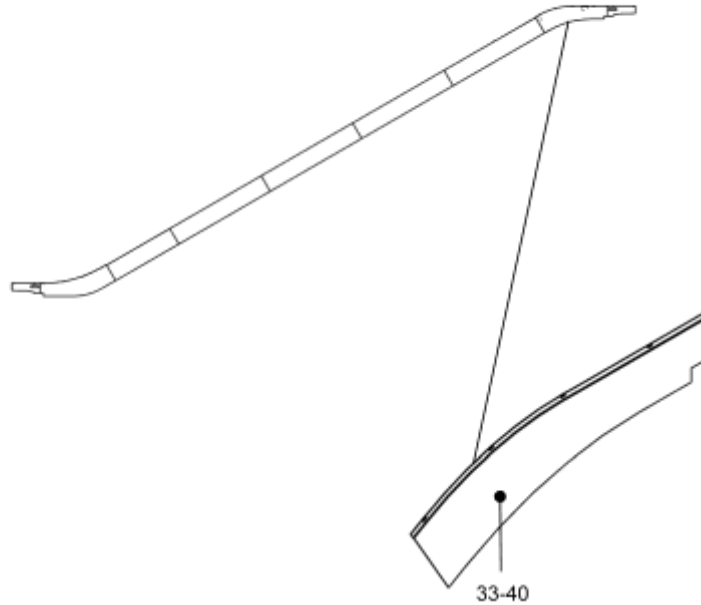


<b>DAA26228BT</b>		<b>Upper Landing = UL</b>	
<b>REF. No.</b>	<b>PART No.</b>	<b>DESCRIPTION</b>	<b>TYPE</b>
25	DAA438MC1	Curve Panel, w/o Skirt Panel Lighting, UL Surface Finish: "RELIUS 536 Coating Black", Left Side	2 Flat Steps
26	DAA438MC2	Curve Panel, w/o Skirt Panel Lighting, UL Surface Finish: "RELIUS 536 Coating Black," Right Side	
27	DAA438MC3	Curve Panel, w/o Skirt Panel Lighting, UL Surface Finish: "RELIUS 536 Coating Black," Left Side	3 Flat Steps
28	DAA438MC4	Curve Panel, w/o Skirt Panel Lighting, UL Surface Finish: "RELIUS 536 Coating Black," Right Side	
29	DAA438MC5	Curve Panel, w/ Skirt Panel Lighting, UL Surface Finish: "RELIUS 536 Coating Black," Left Side	2 Flat Steps
30	DAA438MC6	Curve Panel, w/ Skirt Panel Lighting, UL Surface Finish: "RELIUS 536 Coating Black," Right Side	
31	DAA438MC7	Curve Panel, w/ Skirt Panel Lighting, UL Surface Finish: "RELIUS 536 Coating Black," Left Side	3 Flat Steps
32	DAA438MC8	Curve Panel, w/ Skirt Panel Lighting, UL Surface Finish: "RELIUS 536 Coating Black," Right Side	

**Skirt Panel**

Curve panel, for

- 508NCE ANSI. Surface finish" G2 + RELIUS 536 I coating transparent "



**DAA26228BT**

**Upper Landing = UL**

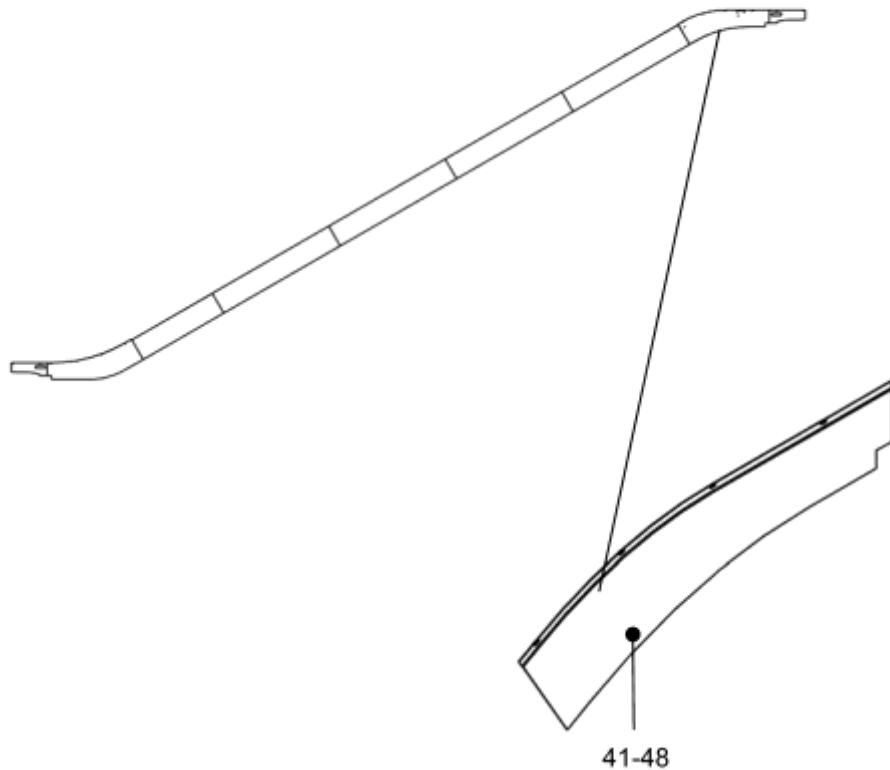
REF. No.	PART No.	DESCRIPTION	TYPE
33	DAA438MC9	Curve Panel, w/o Skirt Panel Lighting, UL Surface Finish: "G2 + RELIUS 536 I Coating Transparent," Left Side	2 Flat Steps
34	DAA438MC10	Curve Panel, w/o Skirt Panel Lighting, UL Surface Finish: "G2 + RELIUS 536 I Coating Transparent," Right Side	
35	DAA438MC11	Curve Panel, w/o Skirt Panel Lighting, UL Surface Finish: "G2 + RELIUS 536 I Coating Transparent," Left Side	3 Flat Steps
36	DAA438MC12	Curve Panel, w/o Skirt Panel Lighting, UL Surface Finish: "G2 + RELIUS 536 I Coating Transparent," Right Side	
37	DAA438MC13	Curve Panel, w/ Skirt Panel Lighting, UL Surface Finish: "G2 + RELIUS 536 I Coating Transparent," Left Side	2 Flat Steps
38	DAA438MC14	Curve Panel, w/ Skirt Panel Lighting, UL Surface Finish: "G2 + RELIUS 536 I Coating Transparent," Right Side	
39	DAA438MC15	Curve Panel, w/ Skirt Panel Lighting, UL Surface Finish: "G2 + RELIUS 536 I Coating Transparent," Left Side	3 Flat Steps
40	DAA438MC16	Curve Panel, w/ Skirt Panel Lighting, UL Surface Finish: "G2 + RELIUS 536 I Coating Transparent," Right Side	



**Skirt Panel**

Curve panel, for

- 512NCE\_ANSI, Surface finish" RELIUS 536 coating black" .



**DAA26228BT**

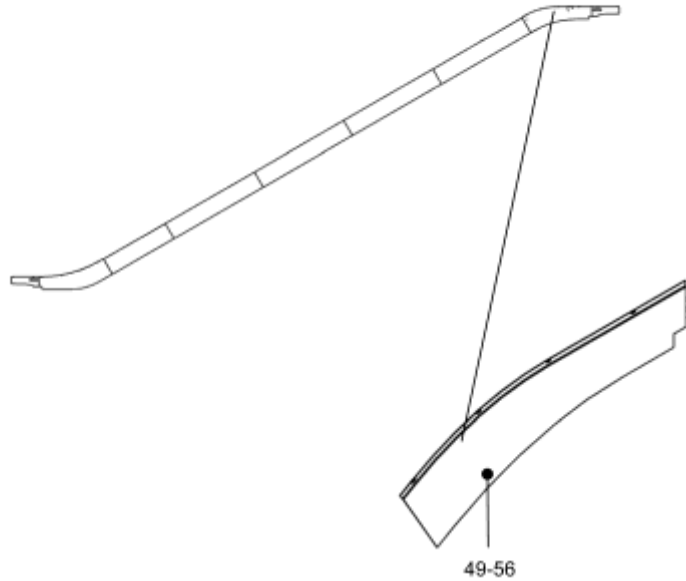
**Upper Landing = UL**

REF. No.	PART No.	DESCRIPTION	TYPE
41	DAA438MC17	Curve Panel, w/o Skirt Panel Lighting, UL Surface Finish: "RELIUS 536 Coating Black," Left Side	2 Flat Steps
42	DAA438MC18	Curve Panel, w/o Skirt Panel Lighting, UL Surface Finish: "RELIUS 536 Coating Black," Right Side	
43	DAA438MC19	Curve Panel, w/o Skirt Panel Lighting, UL Surface Finish: "RELIUS 536 Coating Black," Left Side	3 Flat Steps
44	DAA438MC20	Curve Panel, w/o Skirt Panel Lighting, UL Surface Finish: "RELIUS 536 Coating Black," Right Side	
45	DAA438MC21	Curve Panel, w/ Skirt Panel lighting, UL Surface Finish: "RELIUS 536 Coating Black," Left Side	2 Flat Steps
46	DAA438MC22	Curve Panel, w/ Skirt Panel Lighting, UL Surface Finish: "RELIUS 536 Coating Black," Right Side	
47	DAA438MC23	Curve Panel, w/ Skirt Panel Lighting, UL Surface Finish: "RELIUS 536 Coating Black," Left Side	3 Flat Steps
48	DAA438MC24	Curve Panel, w/ Skirt Panel Lighting, UL Surface Finish: "RELIUS 536 Coating Black," Right Side	

**Skirt Panel**

Curve panel, for

- 512NCE\_ANSI, Surface finish" G2 + RELIUS 536 I coating transparent "

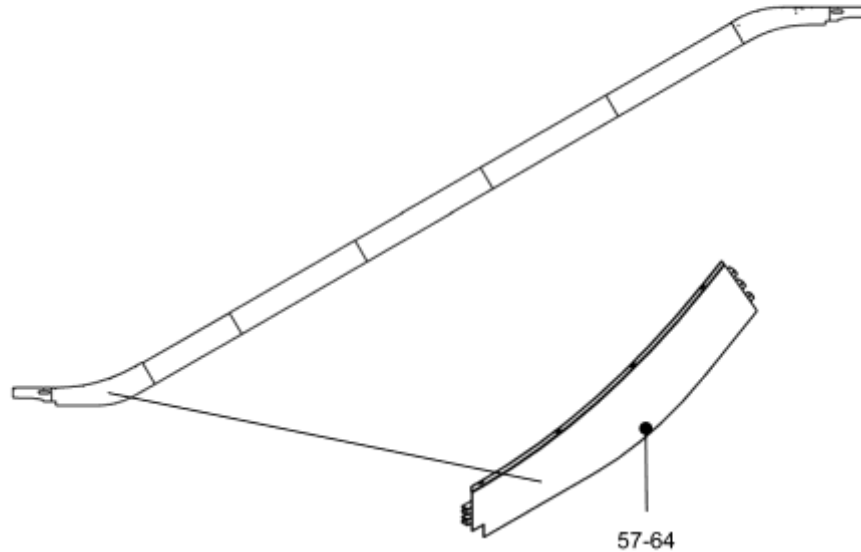


<b>DAA26228BT</b>		<b>Upper Landing = UL</b>	
<b>REF. No.</b>	<b>PART No.</b>	<b>DESCRIPTION</b>	<b>TYPE</b>
49	DAA438MC25	Curve Panel, w/o Skirt Panel Lighting, UL Surface Finish: "G2 + RELIUS 536 I Coating Transparent," Left Side	2 Flat Steps
50	DAA438MC26	Curve Panel, w/o Skirt Panel Lighting, UL Surface Finish: "G2 + RELIUS 536 I Coating Transparent," Right Side	
51	DAA438MC27	Curve Panel, w/o Skirt Panel Lighting, UL Surface Finish: "G2 + RELIUS 536 I Coating Transparent," Left Side	3 Flat Steps
52	DAA438MC28	Curve Panel, w/o Skirt Panel Lighting, UL Surface Finish: "G2 + RELIUS 536 I Coating Transparent," Right Side	
53	DAA438MC29	Curve Panel, w/ Skirt Panel Lighting, UL Surface Finish: "G2 + RELIUS 536 I Coating Transparent," Left Side	2 Flat Steps
54	DAA438MC30	Curve Panel, w/ Skirt Panel Lighting, UL Surface Finish: "G2 + RELIUS 536 I Coating Transparent," Right Side	
55	DAA438MC31	Curve Panel, w/ Skirt Panel Lighting, UL Surface Finish: "G2 + RELIUS 536 I Coating Transparent," Left Side	3 Flat Steps
56	DAA438MC32	Curve Panel, w/ Skirt Panel Lighting, UL Surface Finish: "G2 + RELIUS 536 I Coating Transparent," Right Side	

**Skirt Panel**

Curve panel, for

- 508NCE\_ANSI, Surface finish" RELIUS 536 COATING BLACK" ;
- 512NCE\_ANSI, Surface finish" RELIUS 536 COATING BLACK" .

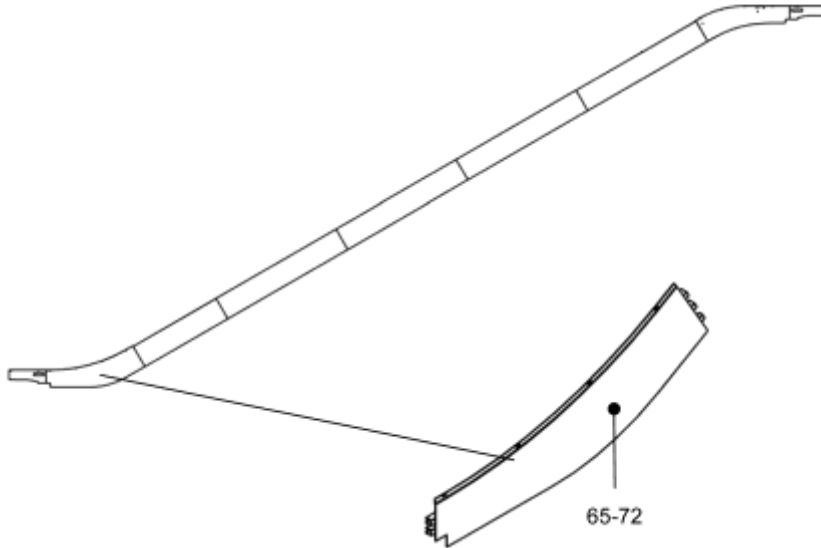


<b>DAA26228BT</b>		<b>Lower Landing = LL</b>	
<b>REF. No.</b>	<b>PART No.</b>	<b>DESCRIPTION</b>	<b>TYPE</b>
57	DAA438MD1	Curve Panel, w/o Skirt Panel Lighting, LL Surface Finish: "RELIUS 536 Coating Black," Left Side	2 Flat Steps
58	DAA438MD2	Curve Panel, w/o Skirt Panel Lighting, LL Surface Finish: "RELIUS 536 Coating Black," Right Side	
59	DAA438MD3	Curve Panel, w/o Skirt Panel Lighting, LL Surface Finish: "RELIUS 536 Coating Black," Left Side	3 Flat Steps
60	DAA438MD4	Curve Panel, w/o Skirt Panel Lighting, LL Surface Finish: "RELIUS 536 Coating Black," Right Side	
61	DAA438MD5	Curve Panel, w/ Skirt Panel Lighting, LL Surface Finish: "RELIUS 536 Coating Black," Left Side	2 Flat Steps
62	DAA438MD6	Curve Panel, w/ Skirt Panel Lighting, LL Surface Finish: "RELIUS 536 Coating Black," Right Side	
63	DAA438MD7	Curve Panel, w/ Skirt Panel Lighting, LL Surface Finish: "RELIUS 536 Coating Black," Left Side	3 Flat Steps
64	DAA438MD8	Curve Panel, w/ Skirt Panel Lighting, LL Surface Finish: "RELIUS 536 Coating Black," Right Side	

**Skirt Panel**

Curve panel, for

- 508NCE\_ANSI, Surface finish" G2 + RELIUS 536 I coating transparent "
- 512NCE\_ANSI, Surface finish" G2 + RELIUS 536 I coating transparent "



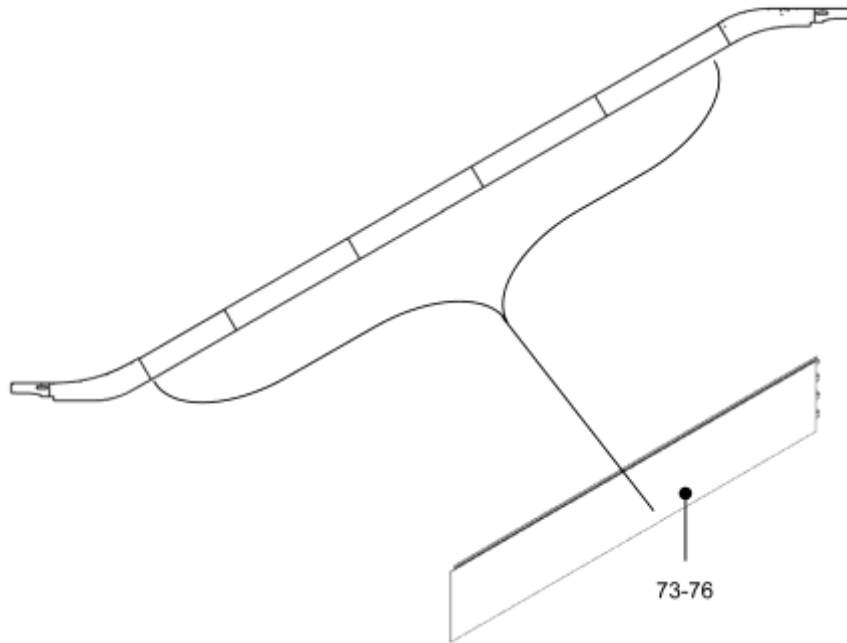
**Lower Landing = LL**

<b>DAA26228BT</b>		<b>Lower Landing = LL</b>	
<b>REF. No.</b>	<b>PART No.</b>	<b>DESCRIPTION</b>	<b>TYPE</b>
65	DAA438MD9	Curve Panel, w/o Skirt Panel Lighting, LL Surface Finish: "G2 + RELIUS 536 I Coating Transparent," Left Side	2 Flat Steps
66	DAA438MD10	Curve Panel, w/o Skirt Panel Lighting, LL Surface Finish: "G2 + RELIUS 536 I Coating Transparent," Right Side	
67	DAA438MD11	Curve Panel, w/o Skirt Panel Lighting, LL Surface Finish: "G2 + RELIUS 536 I Coating Transparent," Left Side	3 Flat Steps
68	DAA438MD12	Curve Panel, w/o Skirt Panel Lighting, LL Surface Finish: "G2 + RELIUS 536 I Coating Transparent," Right Side	
69	DAA438MD13	Curve Panel, w/ Skirt Panel Lighting, LL Surface Finish: "G2 + RELIUS 536 I Coating Transparent," Left Side	2 Flat Steps
70	DAA438MD14	Curve Panel, w/ Skirt Panel Lighting, LL Surface Finish: "G2 + RELIUS 536 I Coating Transparent," Right Side	
71	DAA438MD15	Curve Panel, w/ Skirt Panel Lighting, LL Surface Finish: "G2 + RELIUS 536 I Coating Transparent," Left Side	3 Flat Steps
72	DAA438MD16	Curve Panel, w/ Skirt Panel Lighting, LL Surface Finish: "G2 + RELIUS 536 I Coating Transparent," Right Side	

**Skirt Panel**

Inclined section skirt panel, for

- 508NCE\_ANSI, Surface finish" RELIUS 536 coating black" ;
- 512NCE\_ANSI, Surface finish" RELIUS 536 coating black" .

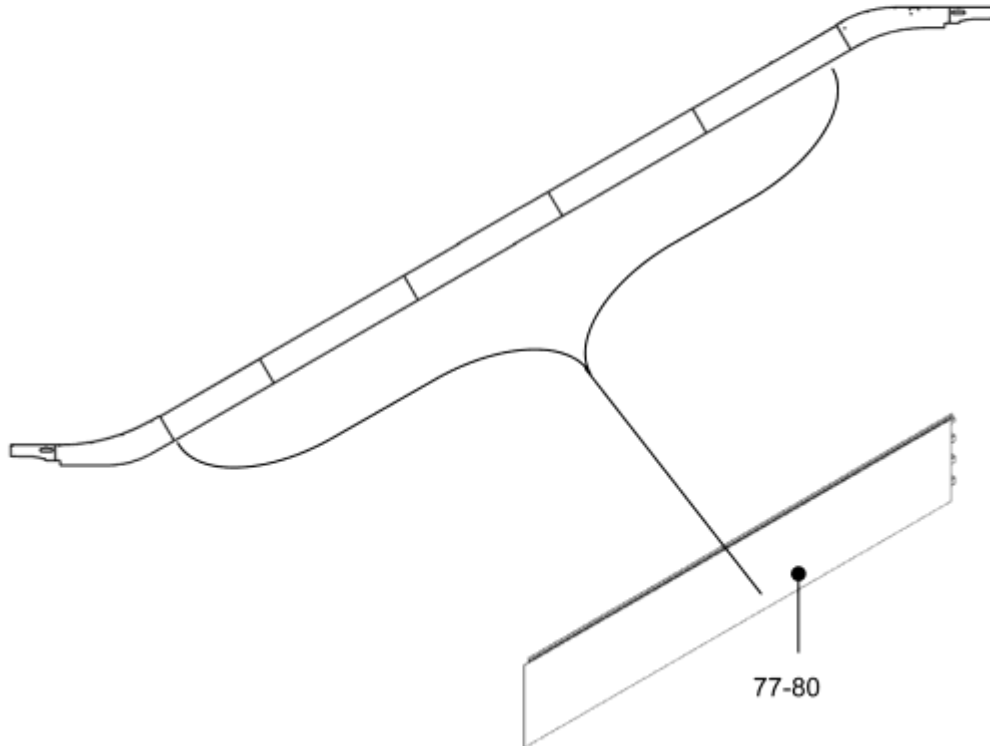


<b>DAA26228BT</b>		
<b>REF. No.</b>	<b>PART No.</b>	<b>DESCRIPTION</b>
73	DAA438MF1	Inclined Section Skirt Panel, w/o Skirt Panel Lighting Surface Finish: "RELIUS 536 Coating Black," Left Side
74	DAA438MF2	Inclined Section Skirt Panel, w/o Skirt Panel Lighting Surface Finish: "RELIUS 536 Coating Black," Right Side
75	DAA438MF3	Inclined Section Skirt Panel, w/ Skirt Panel Lighting Surface Finish: "RELIUS 536 Coating Black," Left Side
76	DAA438MF4	Inclined Section Skirt Panel, w/ Skirt Panel Lighting Surface Finish: "RELIUS 536 Coating Black," Right Side

**Skirt Panel**

Inclined section skirt panel, for

- 508NCE\_ANSI, Surface finish" G2 + RELIUS 536 I coating transparent "
- 512NCE\_ANSI, Surface finish" G2 + RELIUS 536 I coating transparent "

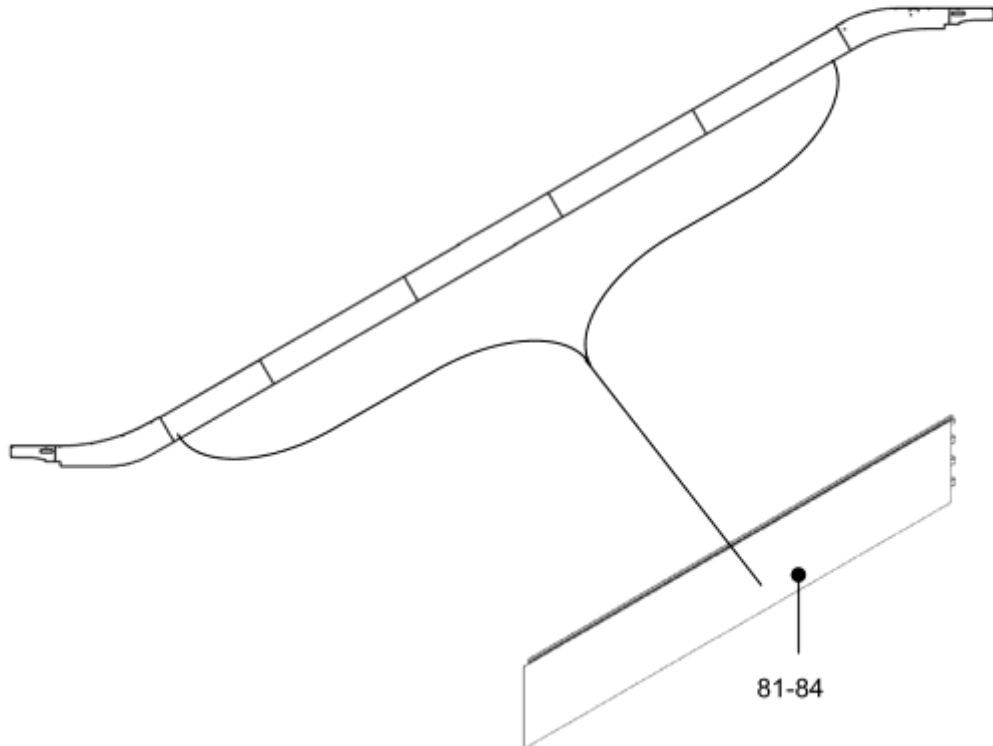


<b>DAA26228BT</b>		
<b>REF. No.</b>	<b>PART No.</b>	<b>DESCRIPTION</b>
77	DAA438MF5	Inclined Section Skirt Panel, w/o Skirt Panel Lighting Surface Finish: "G2 + RELIUS 536 I Coating Transparent," Left Side
78	DAA438MF6	Inclined Section Skirt Panel, w/o Skirt Panel Lighting Surface Finish: "G2 + RELIUS 536 I Coating Transparent," Right Side
79	DAA438MF7	Inclined Section Skirt Panel, w/ Skirt Panel Lighting Surface Finish: "G2 + RELIUS 536 I Coating Transparent," Left Side
80	DAA438MF8	Inclined Section Skirt Panel, w/ Skirt Panel Lighting Surface Finish: "G2 + RELIUS 536 I Coating Transparent," Right Side

**Skirt Panel**

Inclined section skirt panel, for

- 508NCE\_ANSI, Surface finish“ RELIUS 536 coating black” , var. Length;
- 512NCE\_ANSI, Surface finish“ RELIUS 536 coating black” , var. Length

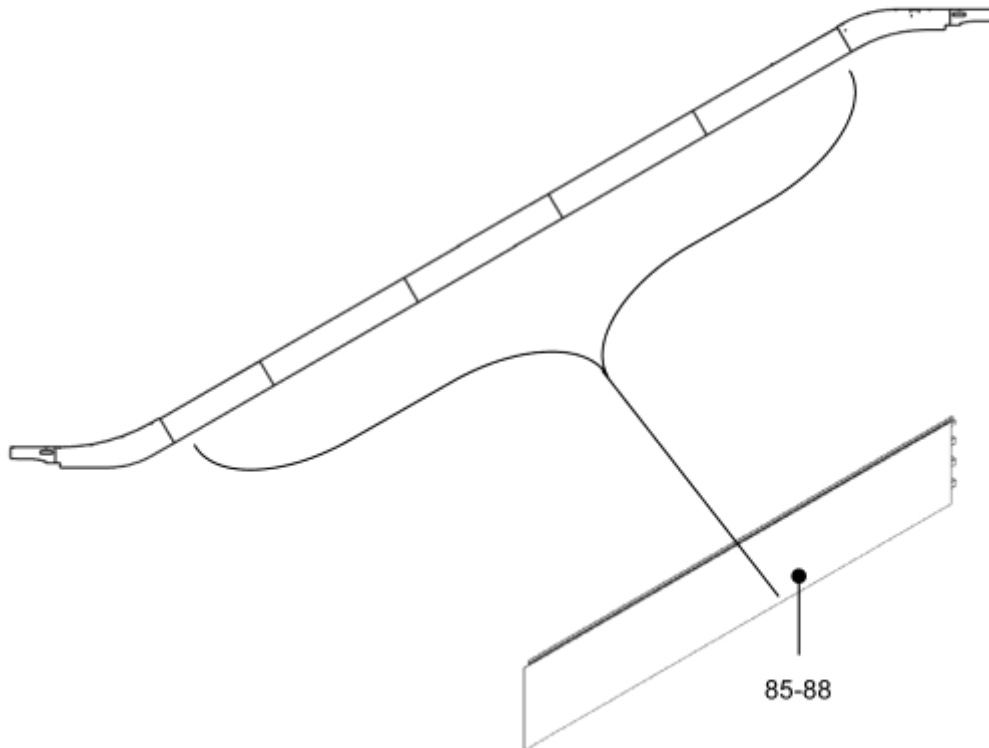


<b>DAA26228BT</b>		
<b>REF. No.</b>	<b>PART No.</b>	<b>DESCRIPTION</b>
81	DAA438MF-V1	Inclined Section Skirt Panel, w/o Skirt Panel Lighting, var. Length (per Spec) Surface Finish: “RELIUS 536 Coating Black,” Left Side
82	DAA438MF-V2	Inclined Section Skirt Panel, w/o Skirt Panel Lighting, var. Length (per Spec) Surface Finish: “RELIUS 536 Coating Black,” Right Side
83	DAA438MF-V5	Inclined Section Skirt Panel, w/ Skirt Panel Lighting, var. Length (per Spec) Surface Finish: “RELIUS 536 Coating Black,” Left Side
84	DAA438MF-V6	Inclined Section Skirt Panel, w/ Skirt Panel Lighting, var. Length (per Spec) Surface Finish: “RELIUS 536 Coating Black,” Right Side

**Skirt Panel**

Inclined section skirt panel, for

- 508NCE\_ANSI, Surface finish" G2 + RELIUS 536 I coating transparent " , var. Length;
- 512NCE\_ANSI, Surface finish" G2 + RELIUS 536 I coating transparent " , var. Length.



**DAA26228BT**

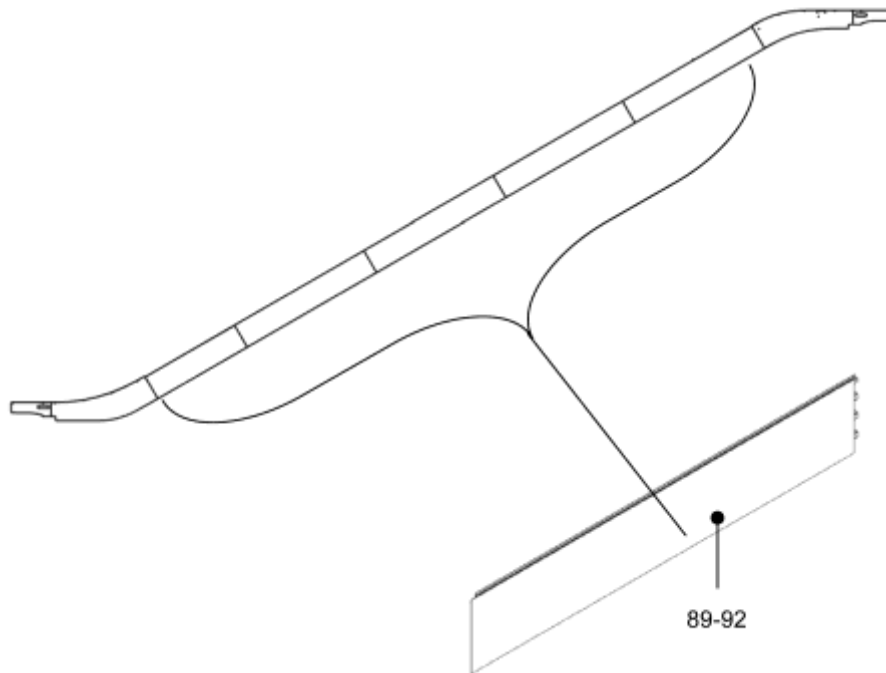
<b>REF. No.</b>	<b>PART No.</b>	<b>DESCRIPTION</b>
85	DAA438MF-V9	Inclined Section Skirt Panel, w/o Skirt Panel Lighting, var. Length (per Spec) Surface Finish: "G2 + RELIUS 536 I Coating Transparent," Left Side
86	DAA438MF-V10	Inclined Section Skirt Panel, w/o Skirt Panel Lighting, var. Length (per Spec) Surface Finish: "G2 + RELIUS 536 I Coating Transparent," Right Side
87	DAA438MF-V13	Inclined Section Skirt Panel, w/ Skirt Panel Lighting, var. Length (per Spec) Surface Finish: "G2 + RELIUS 536 I Coating Transparent," Left Side
88	DAA438MF-V14	Inclined Section Skirt Panel, w/ Skirt Panel Lighting, var. Length (per Spec) Surface Finish: "G2 + RELIUS 536 I Coating Transparent," Right Side



**Skirt Panel**

Inclined section skirt panel with 50mm overmeasure, for

- 508NCE\_ANSI, Surface finish" RELIUS 536 coating black" , var. Length;
- 512NCE\_ANSI, Surface finish" RELIUS 536 coating black" , var. Length

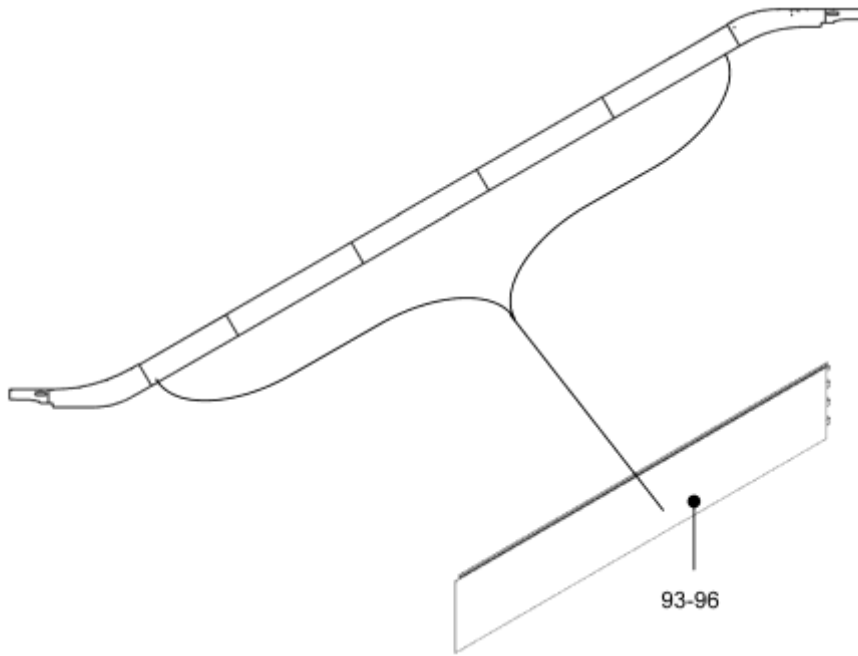


<b>DAA26228BT</b>		
<b>REF. No.</b>	<b>PART No.</b>	<b>DESCRIPTION</b>
89	DAA438MF-V3	Inclined Section Skirt Panel with 50 mm over Measure, w/o Skirt Panel Lighting, var. Length (per Spec) Surface Finish: "RELIUS 536 Coating Black," Left Side
90	DAA438MF-V4	Inclined Section Skirt Panel with 50 mm over Measure, w/o Skirt Panel Lighting, var. Length (per Spec) Surface Finish: "RELIUS 536 Coating Black," Right Side
91	DAA438MF-V7	Inclined Section Skirt Panel with 50 mm over Measure, w/ Skirt Panel Lighting, var. Length (per Spec) Surface Finish: "RELIUS 536 Coating Black," Left Side
92	DAA438MF-V8	Inclined Section Skirt Panel with 50 mm over Measure, w/ Skirt Panel Lighting, var. Length (per Spec) Surface Finish: "RELIUS 536 Coating Black," Right Side

**Skirt Panel**

Inclined section skirt panel with 50mm over measure, for

- 508NCE\_ANSI, Surface finish" G2 + RELIUS 536 I coating transparent " , var. Length;
- 512NCE\_ANSI, Surface finish" G2 + RELIUS 536 I coating transparent " , var. Length.

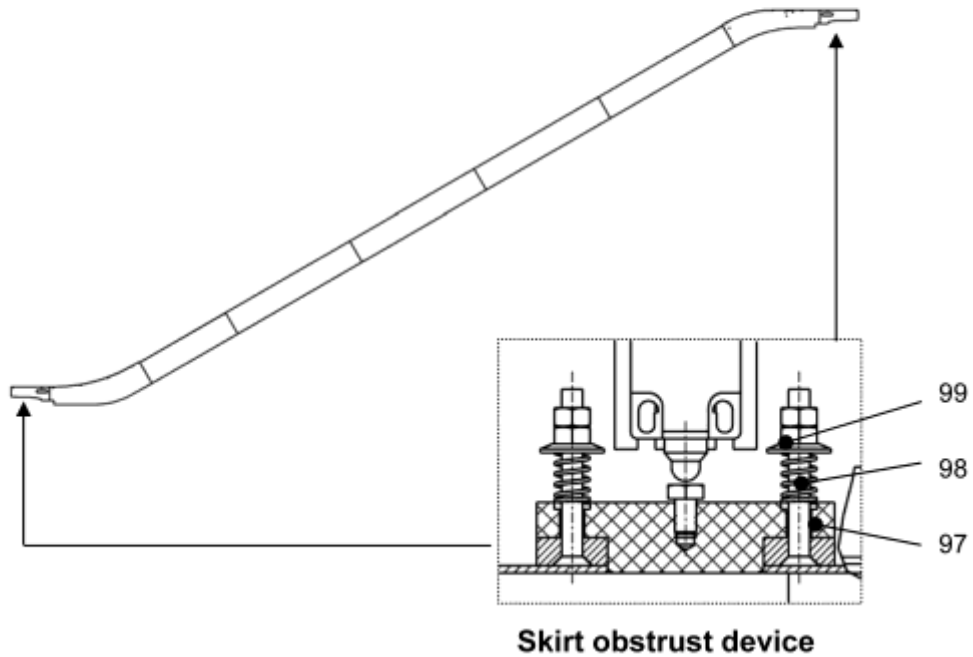


<b>DAA26228BT</b>		
<b>REF. No.</b>	<b>PART No.</b>	<b>DESCRIPTION</b>
93	DAA438MF-V11	Inclined Section Skirt Panel with 50 mm over Measure, w/o Skirt Panel Lighting, var. Length (per Spec) Surface Finish: "G2 + RELIUS 536 I Coating Transparent," Left Side
94	DAA438MF-V12	Inclined Section Skirt Panel with 50 mm over Measure, w/o Skirt Panel Lighting, var. Length (per Spec) Surface Finish: "G2 + RELIUS 536 I Coating Transparent," Right Side
95	DAA438MF-V15	Inclined Section Skirt Panel with 50 mm over Measure, w/ Skirt Panel Lighting, var. Length (per Spec) Surface finish: "G2 + RELIUS 536 I coating transparent", Left Side
96	DAA438MF-V16	Inclined Section Skirt Panel with 50 mm over Measure, w/ Skirt Panel Lighting, var. Length (per Spec) Surface Finish: "G2 + RELIUS 536 I Coating Transparent," Right Side

**Skirt Panel**

The spare part of skirt obstruct device, for

- 508NCE\_ANSI;
- 512NCE\_ANSI.

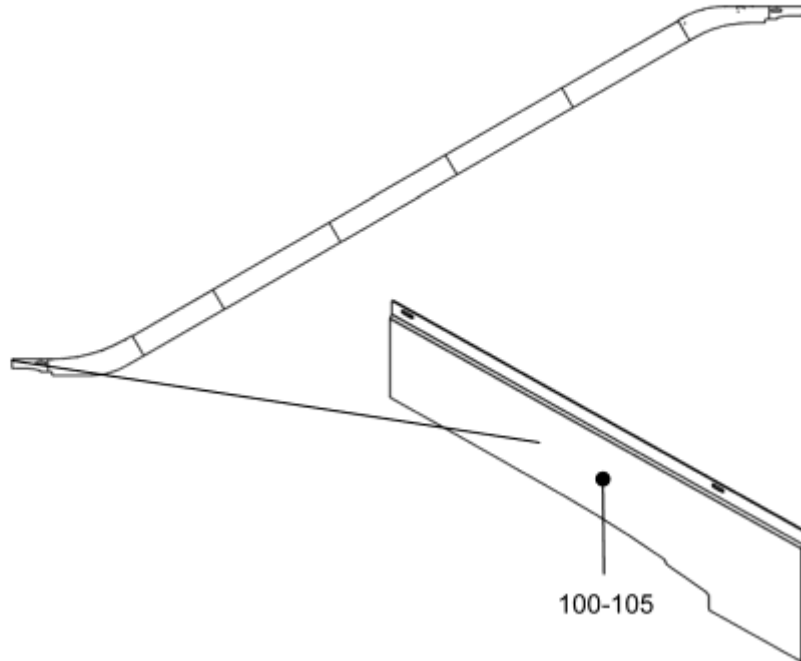


<b>DAA26228BT</b>		
<b>REF. No.</b>	<b>PART No.</b>	<b>DESCRIPTION</b>
97	DAA310CC1	Block
98	DAA90AL1	Spring
99	GAA72BS3	Nut

**Skirt Panel**

First skirt panel, for

- 512NCE\_ANSI, Surface finish" RELIUS 536 coating black" .



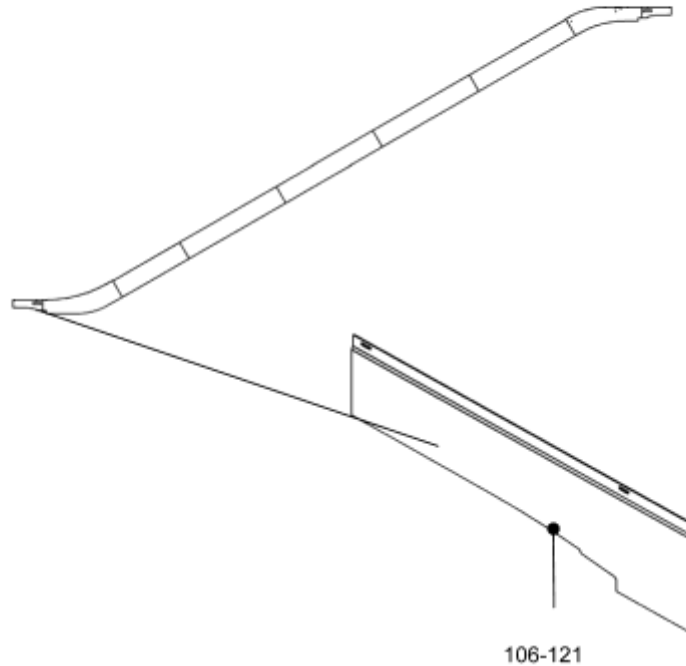
**DAA26228BT**

<b>REF. No.</b>	<b>PART No.</b>	<b>DESCRIPTION</b>	<b>TYPE</b>
100	DAA438MB1	First Skirt Panel, w/o Comb Lighting & w/o Skirt Panel Lighting, LL Surface Finish: "RELIUS 536 Coating Black," Right Side	2 & 3 Flat Steps
101	DAA438MB2	First Skirt Panel, w/o Comb Lighting & w/o Skirt Panel Lighting, LL Surface Finish: "RELIUS 536 Coating Black," Left Side	
102	DAA438MB5	First Skirt Panel, w/o Comb Lighting & w/ Skirt Panel Lighting, LL Surface Finish: "RELIUS 536 Coating Black," Right Side	
103	DAA438MB6	First Skirt Panel, w/o Comb Lighting & w/ Skirt Panel Lighting, LL Surface Finish: "RELIUS 536 Coating Black," Left Side	
104	DAA438MB9	First Skirt Panel, w/ Comb Lighting & w/o Skirt Panel Lighting, LL Surface Finish: "RELIUS 536 Coating Black," Right Side	
105	DAA438MB10	First Skirt Panel, w/ Comb Lighting & w/o Skirt Panel Lighting, LL Surface Finish: "RELIUS 536 Coating Black," Left Side	

**Skirt Panel**

First skirt panel, for

- 512NCE\_ANSI, Surface finish" G2 + RELIUS 536 I coating transparent"



<b>DAA26228BT</b>		<b>Lower Landing = LL</b>	
<b>REF. No.</b>	<b>PART No.</b>	<b>DESCRIPTION</b>	<b>TYPE</b>
106	DAA438MB13	First Skirt Panel, w/o Comb Lighting & w/o Skirt Panel Lighting, LL Surface Finish: "G2 + RELIUS 536 I Coating Transparent," Right Side	2 & 3 Flat Steps
107	DAA438MB14	First Skirt Panel, w/o Comb Lighting & w/o Skirt Panel Lighting, LL Surface Finish: "G2 + RELIUS 536 I Coating Transparent," Left Side	
108	DAA438MB17	First Skirt Panel, w/o Comb Lighting & w/ Skirt Panel Lighting, LL Surface Finish: "G2 + RELIUS 536 I Coating Transparent," Right Side	
109	DAA438MB18	First Skirt Panel, w/o Comb Lighting & w/ Skirt Panel Lighting, LL Surface Finish: "G2 + RELIUS 536 I Coating Transparent," Left Side	
120	DAA438MB21	First Skirt Panel, w/ Comb Lighting & w/o Skirt Panel Lighting, LL Surface Finish: "G2 + RELIUS 536 I Coating Transparent," Right Side	
121	DAA438MB22	First Skirt Panel, w/ Comb Lighting & w/o Skirt Panel Lighting, LL Surface Finish: "G2 + RELIUS 536 I Coating Transparent," Left Side	