

**Otis 508NCE ANSI
Escalator Inner
Decking**

Spare Parts Leaflet

57-DAA26228BV

December 30, 2009 / Page 1 of 13



Unpublished Work—©Otis Elevator Co.; 2009

OTIS

Safety First!

**PRODUCT ENGINEERING
Otis Elevator Company
SIT GUANGZHOU**

Leaflet Description

Glass Balustrade Inner Decking (w/o skirt panel lighting), for 508NCE_ANSI Escalator

Leaflet Revisions

Date Revised	Subject Matter Expert	Reason for Revision
May 8, 2009	Li, Biao	New release
December 30, 2009	Li, Biao	Added "W/O SKIRT PANEL LIGHTING" on pages 3–10, deleted "W/O Key Switch" "With Key Switch" on pages 3–10, added ref. number 61–63 on page 11 (CAD6A-000866) Added pages 12–13 (CAD6A-000989)

Related Drawings

Drawing No.	Title	Drawing No.	Title
DAA26228BV	Glass Balustrade Inner Decking		

Related Documents

Document ID	Title
ODS DAA27076DV	Glass Balustrade Inner Decking

Subject Matter Expert

Name	Department
Li, Biao	SIT Guangzhou

About Spare Parts Leaflets...

This document lists the lowest replaceable units (LRUs) for the standard version of the product. The LRUs are chosen by a team of Otis associates representing engineering and manufacturing.

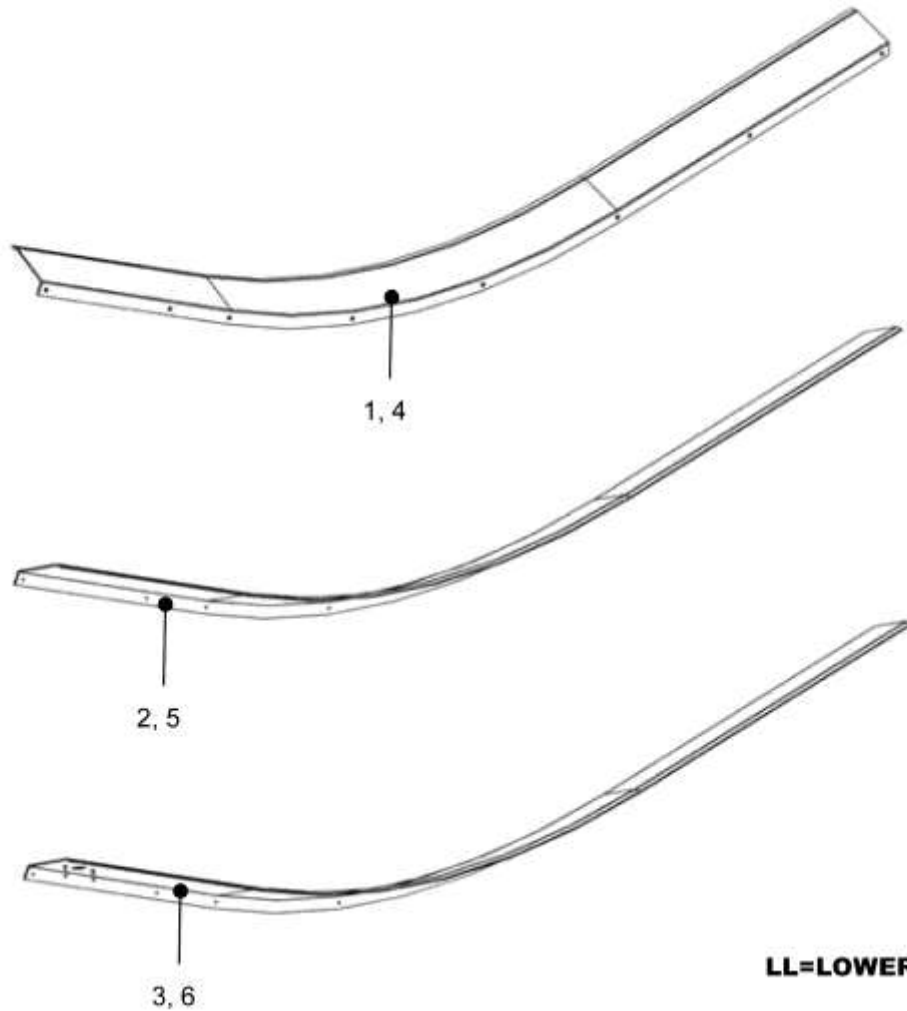
While goal of this document is to make parts identification as easy as possible, the document cannot be all-inclusive. Elevator and escalator contracts classified as "special" or "custom" are not addressed here. For such contracts, please refer to specified information, the contract folder, TIPs, Field Education Articles, Construction Letters, etc. for further information.

If you have any suggestions about this document, please contact the subject matter expert listed on this page.

Inner Decking

FOR 30° ALUMINUM POWDER COATED INNER DECKING W/O SKIRT PANEL LIGHTING

INDOOR ONLY

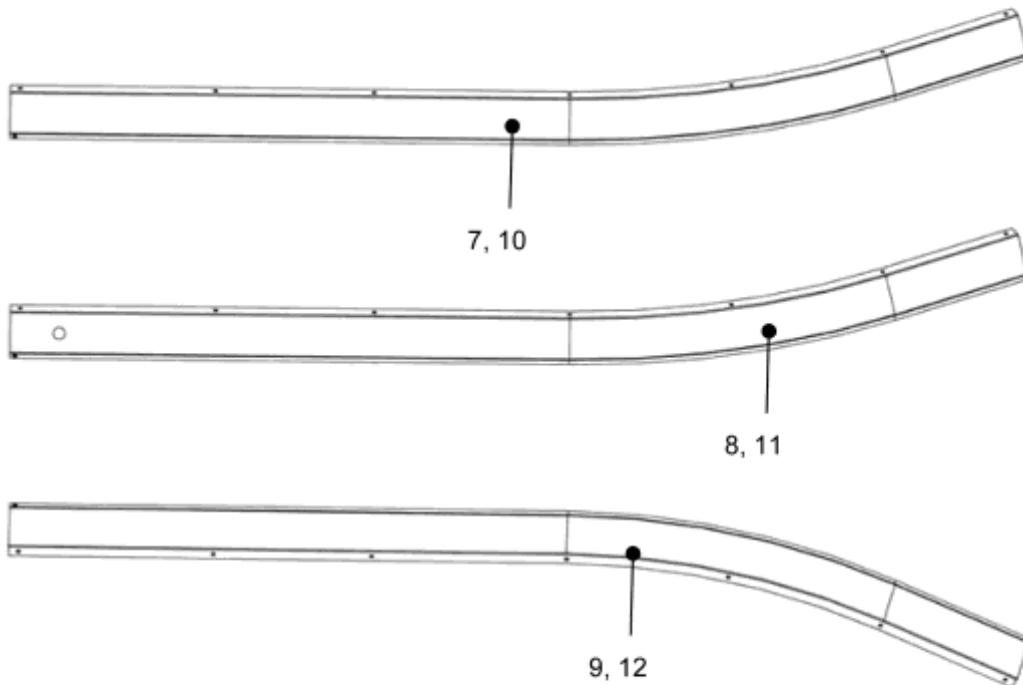


DAA26228BV			
REF. No.	PART No.	DESCRIPTION	
1	DAA402JH1	ANSI, Aluminum Powder Coated, Left Side, LL	2 Flat Steps
2	DAA402JH2	ANSI W/ NY, Aluminum Powder Coated, Right Side, LL	
3	DAA402JH3	ANSI W/O NY, Aluminum Powder Coated, Right Side, LL	
4	DAA402JH4	ANSI, Aluminum Powder Coated, Left Side, LL	3 Flat Steps
5	DAA402JH5	ANSI W/ NY, Aluminum Powder Coated, Right Side, LL	
6	DAA402JH6	ANSI W/O NY, Aluminum Powder Coated, Right Side, LL	

Inner Decking

FOR 30° ALUMINUM POWDER COATED INNER DECKING W/O SKIRT PANEL LIGHTING

INDOOR ONLY

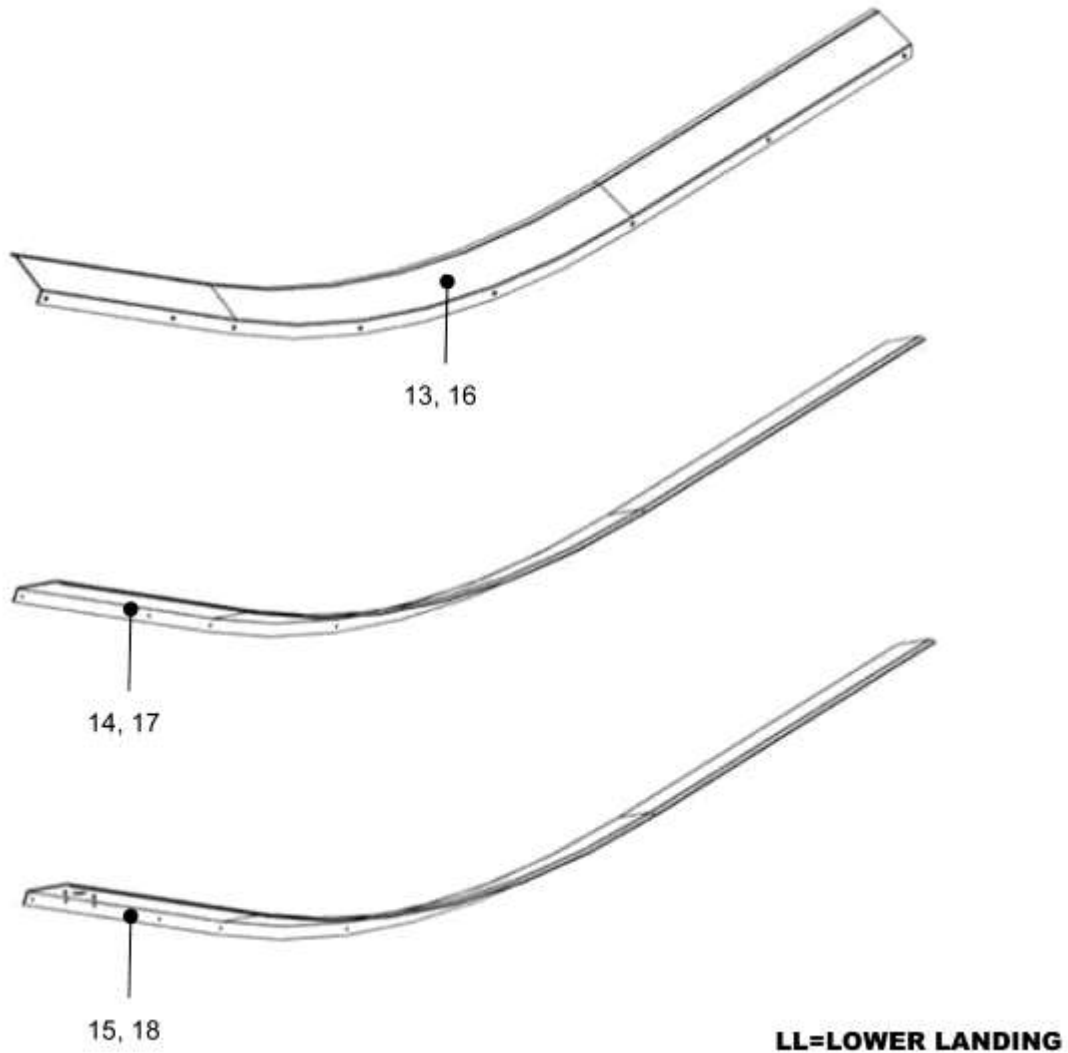


UL=UPPER LANDING

DAA26228BV			
REF. No.	PART No.	DESCRIPTION	
7	DAA402JE1	ANSI W/ NY, Aluminum Powder Coated, Left Side, UL	2 Flat Steps
8	DAA402JE2	ANSI W/O NY, Aluminum Powder Coated, Left Side, UL	
9	DAA402JE3	ANSI, Aluminum Powder Coated, Right Side, UL	
10	DAA402JE4	ANSI W/ NY, Aluminum Powder Coated, Left Side, UL	3 Flat Steps
11	DAA402JE5	ANSI W/O NY, Aluminum Powder Coated, Left Side, UL	
12	DAA402JE6	ANSI, Aluminum Powder Coated, Right Side, UL	

Inner Decking

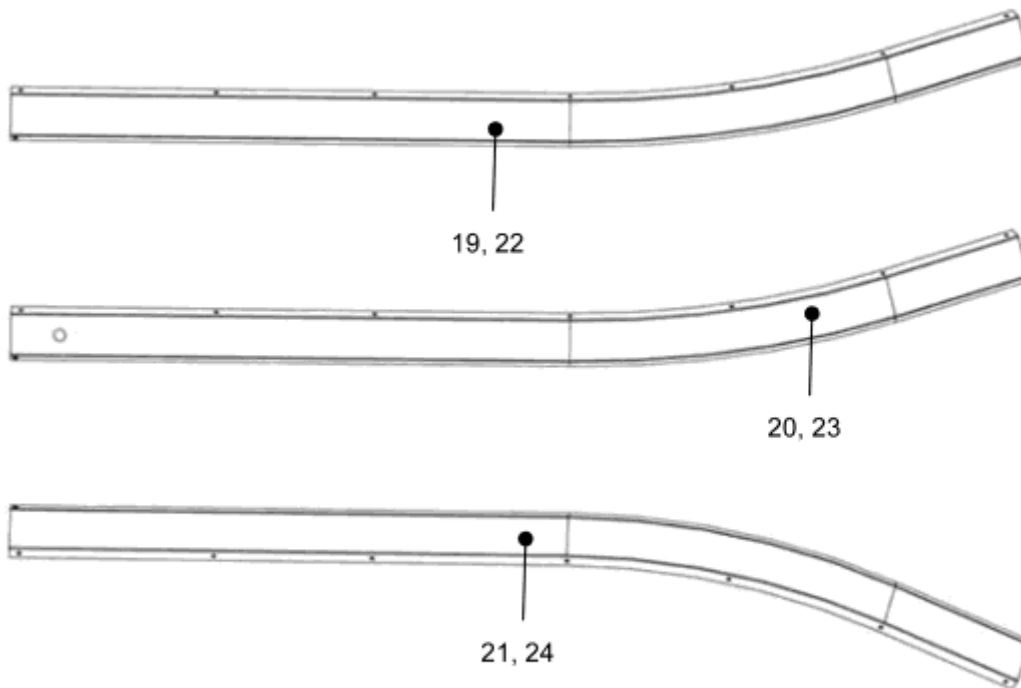
FOR 30° ALUMINUM FO7 INNER DECKING W/O SKIRT PANEL LIGHTING



DAA26228BV			
REF. No.	PART No.	DESCRIPTION	
13	DAA402JH7	ANSI, Aluminum FO7, Left Side, LL	2 Flat Steps
14	DAA402JH8	ANSI W/ NY, Aluminum FO7, Right Side, LL	
15	DAA402JH9	ANSI W/O NY, Aluminum FO7, Right Side, LL	
16	DAA402JH10	ANSI, Aluminum FO7, Left Side, LL	3 Flat Steps
17	DAA402JH11	ANSI W/ NY, Aluminum FO7, Right Side, LL	
18	DAA402JH12	ANSI W/O NY, Aluminum FO7, Right Side, LL	

Inner Decking

FOR 30° ALUMINUM FO7 INNER DECKING W/O SKIRT PANEL LIGHTING

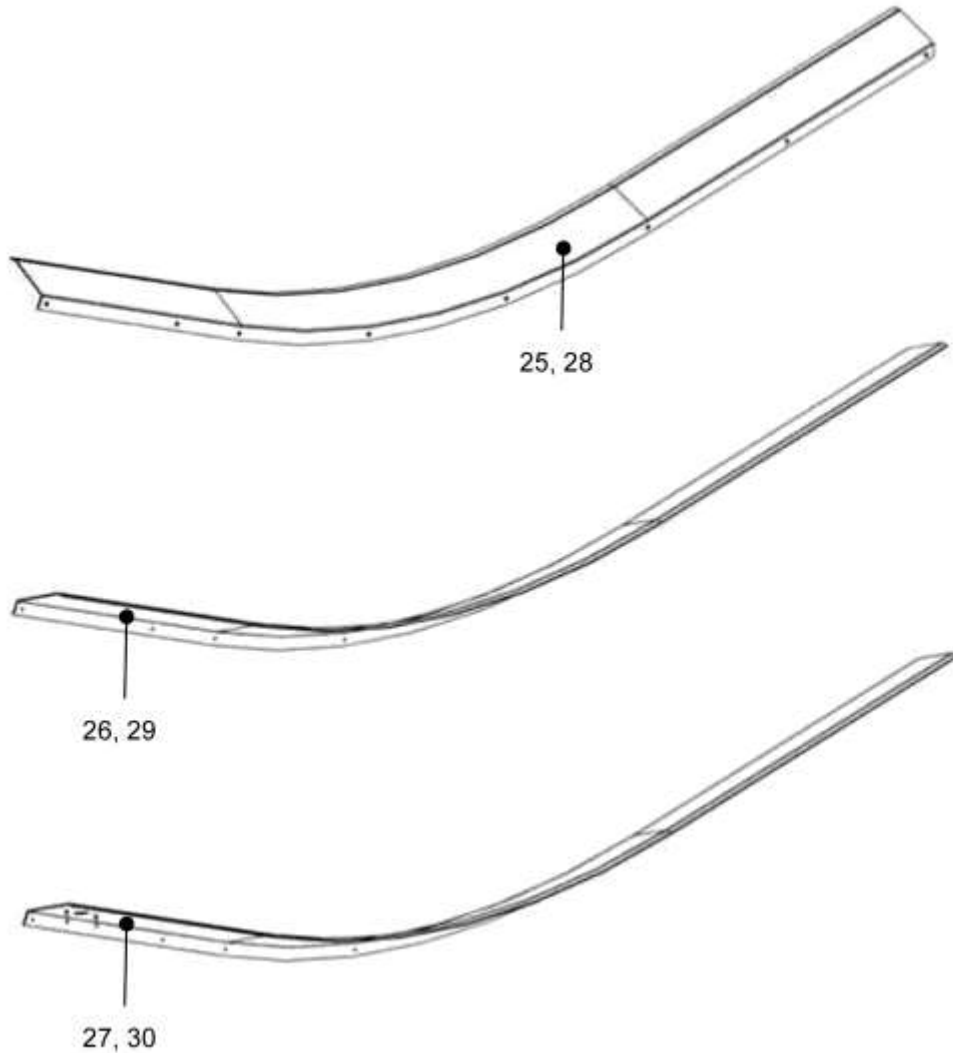


UL=UPPER LANDING

DAA26228BV			
REF. No.	PART No.	DESCRIPTION	
19	DAA402JE7	ANSI W/ NY, Aluminum FO7, Left Side, UL	2 Flat Steps
20	DAA402JE8	ANSI W/O NY, Aluminum FO7, Left Side, UL	
21	DAA402JE9	ANSI, Aluminum FO7, Right Side, UL	
22	DAA402JE10	ANSI W/ NY, Aluminum FO7, Left Side, UL	3 Flat Steps
23	DAA402JE11	ANSI W/O NY, Aluminum FO7, Left Side, UL	
24	DAA402JE12	ANSI, Aluminum FO7, Right Side, UL	

Inner Decking

FOR 30° ALUMINUM FO10 INNER DECKING W/O SKIRT PANEL LIGHTING

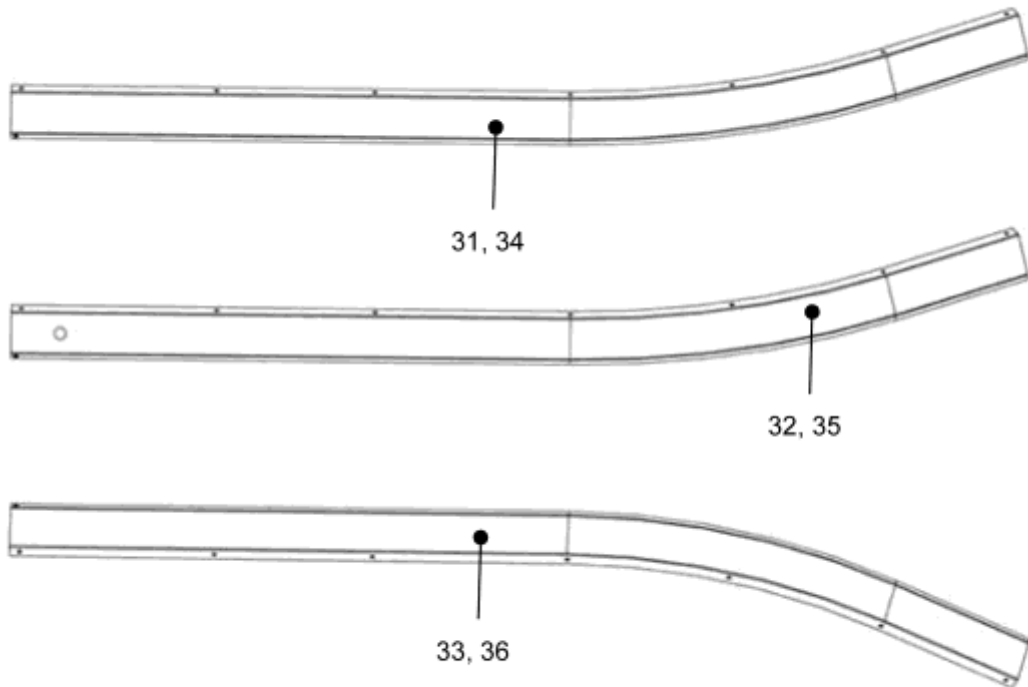


LL=LOWER LANDING

DAA26228BV			
REF. No.	PART No.	DESCRIPTION	
25	DAA402JH13	ANSI, Aluminum FO10, Left Side, LL	2 Flat Steps
26	DAA402JH14	ANSI W/ NY, Aluminum FO10, Right Side, LL	
27	DAA402JH15	ANSI W/O NY, Aluminum FO10, Right Side, LL	
28	DAA402JH16	ANSI, Aluminum FO10, Left Side, LL	3 Flat Steps
29	DAA402JH17	ANSI W/ NY, Aluminum FO10, Right Side, LL	
30	DAA402JH18	ANSI W/O NY, Aluminum FO10, Right Side, LL	

Inner Decking

FOR 30° ALUMINUM FO10 INNER DECKING W/O SKIRT PANEL LIGHTING

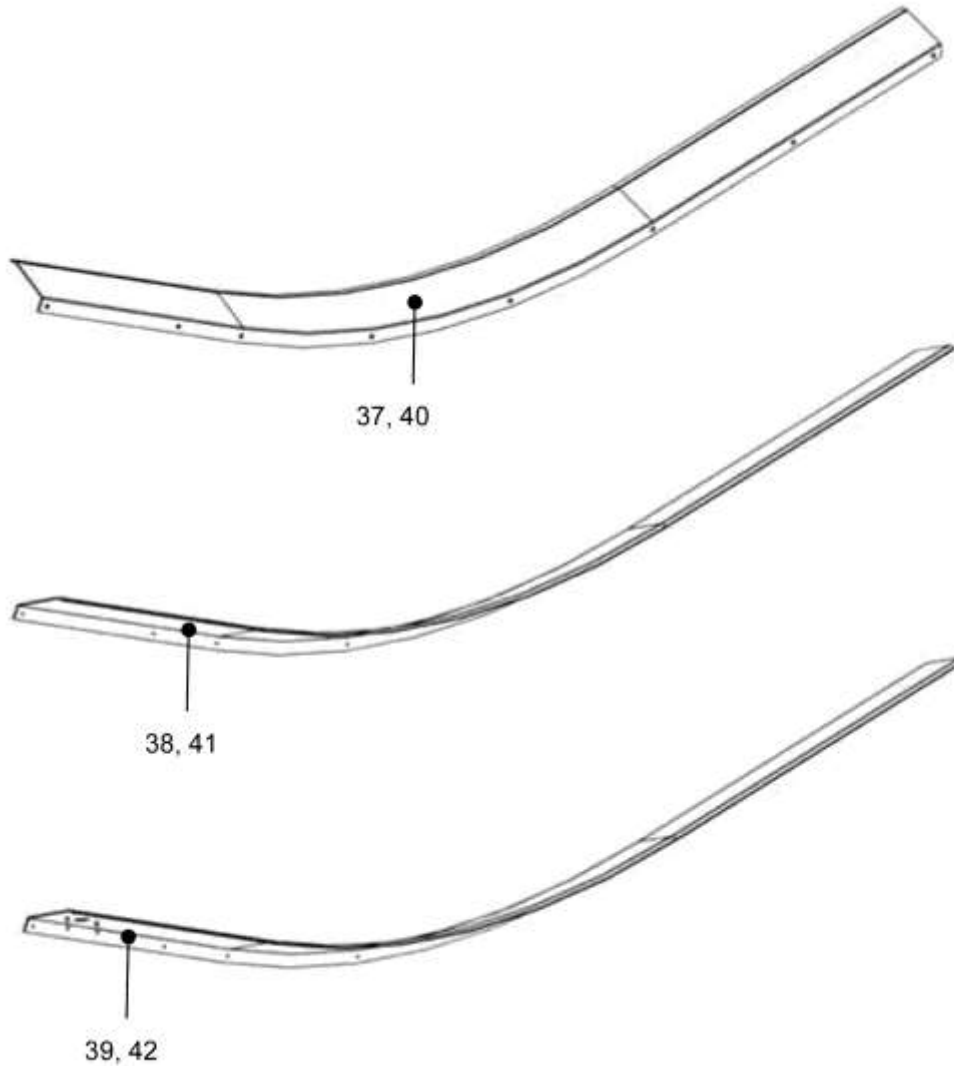


UL=UPPER LANDING

DAA26228BV			
REF. No.	PART No.	DESCRIPTION	
31	DAA402JE13	ANSI W/ NY, Aluminum FO10, Left Side, UL	2 Flat Steps
32	DAA402JE14	ANSI W/O NY, Aluminum FO10, Left Side, UL	
33	DAA402JE15	ANSI, Aluminum FO10, Right Side, UL	
34	DAA402JE16	ANSI W/ NY, Aluminum FO10, Left Side, UL	3 Flat Steps
35	DAA402JE17	ANSI W/O NY, Aluminum FO10, Left Side, UL	
36	DAA402JE18	ANSI, Aluminum FO10, Right Side, UL	

Inner Decking

FOR 30° STAINLESS STEEL INNER DECKING W/O SKIRT PANEL LIGHTING

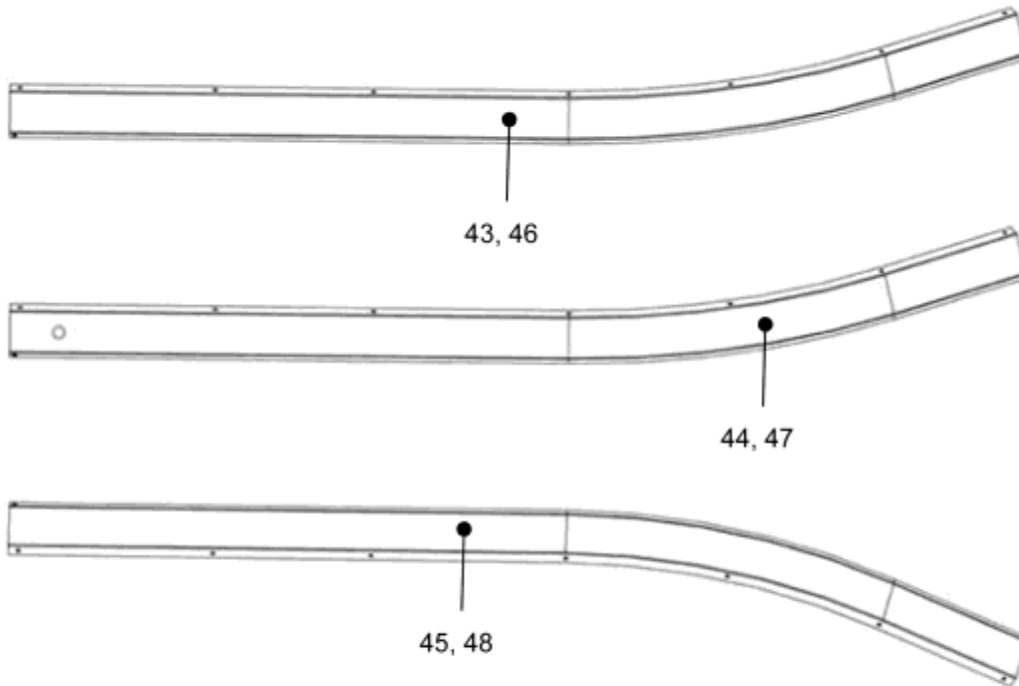


LL=LOWER LANDING

DAA26228BV			
REF. No.	PART No.	DESCRIPTION	
37	DAA402JH19	ANSI ST. ST. G2, Left Side, LL	2 Flat Steps
38	DAA402JH20	ANSI W/ NY, ST. ST. G2, Right Side, LL	
39	DAA402JH21	ANSI W/O NY, ST. ST. G2, Right Side, LL	
40	DAA402JH22	ANSI ST. ST. G2, Left Side, LL	3 Flat Steps
41	DAA402JH23	ANSI W/ NY, ST. ST. G2, Right Side, LL	
42	DAA402JH24	ANSI W/O NY, ST. ST. G2, Right Side, LL	

Inner Decking

FOR 30° STAINLESS STEEL INNER DECKING W/O SKIRT PANEL LIGHTING

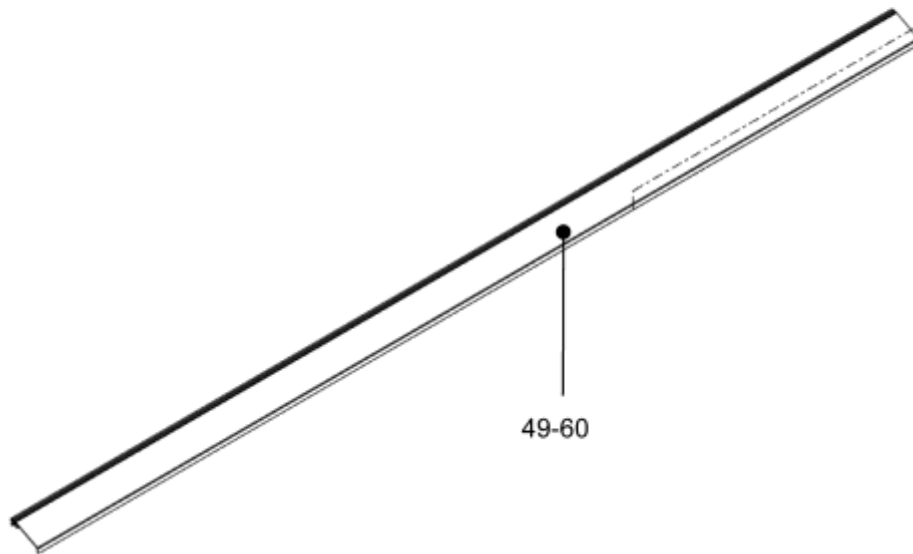


UL=UPPER LANDING

DAA26228BV			
REF. No.	PART No.	DESCRIPTION	
43	DAA402JE19	ANSI W/ NY, ST. ST. G2, Left Side, UL	2 Flat Steps
44	DAA402JE20	ANSI W/O NY, ST. ST. G2, Left Side, UL	
45	DAA402JE21	ANSI ST. ST. G2, Right Side, UL	
46	DAA402JE22	ANSI W/ NY, ST. ST. G2, Left Side, UL	3 Flat Steps
47	DAA402JE23	ANSI W/O NY, ST. ST. G2, Left Side, UL	
48	DAA402JE24	ANSI ST. ST. G2, Right Side, UL	

Inner Decking

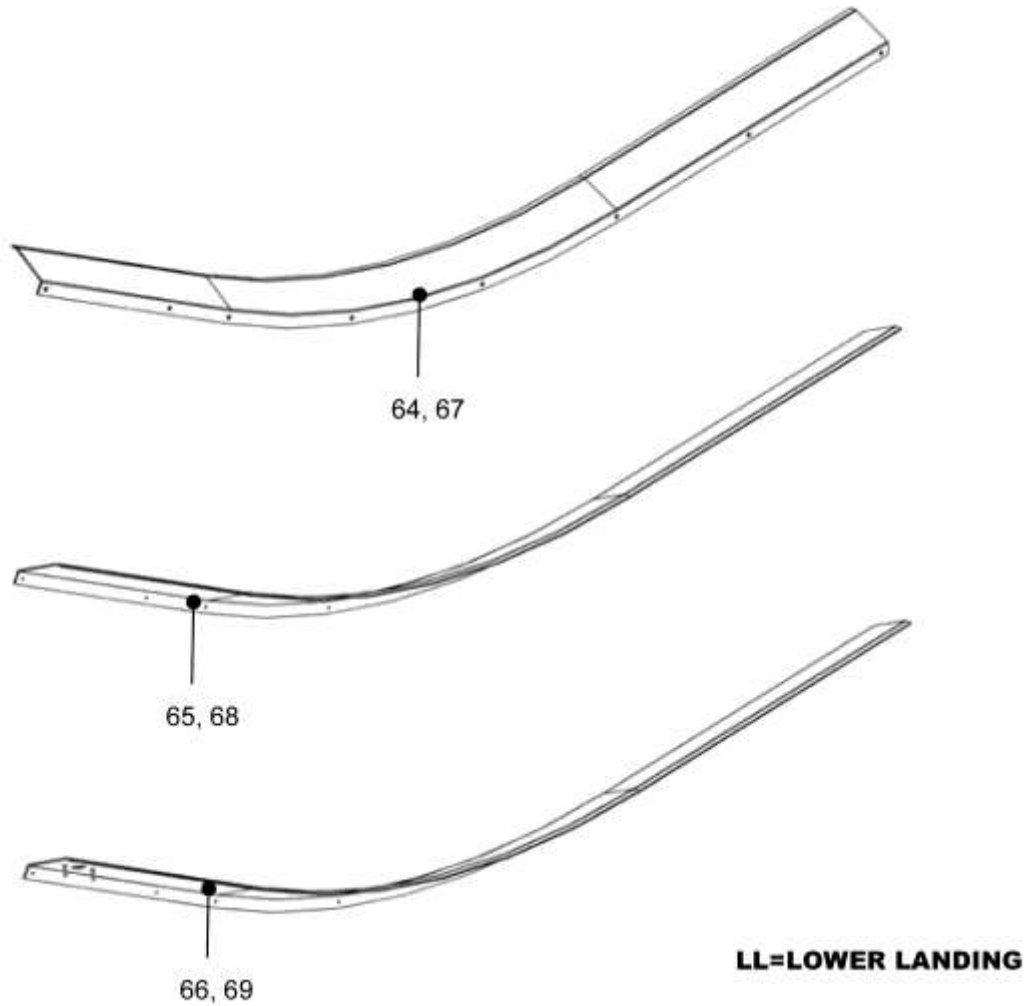
INNER DECKING



DAA26228BV			
REF. No.	PART No.	DESCRIPTION	
49	DAA402BH1	Inclined Section, const. Length, L = 2960 mm	ST.ST G2
50	DAA402BH3	Inclined Section, const. Length, L = 1960 mm	
51	DAA402BH_V2	Inclined Section, var. Length, Per. Spec.	
52	DAA402BH13	Inclined Section, const. Length, L = 2960 mm	Aluminum Powder Coating Indoor Only
53	DAA402BH15	Inclined Section, const. Length, L = 1960 mm	
54	DAA402BH_V10	Inclined Section, var. Length, Per. Spec.	
55	DAA402BH16	Inclined Section, const. Length, L = 2960 mm	Aluminum FO7
56	DAA402BH18	Inclined Section, const. Length, L = 1960 mm	
57	DAA402BH_V12	Inclined Section, var. Length, Per. Spec.	
58	DAA402BH19	Inclined Section, const. Length, L = 2960 mm	Aluminum FO10
59	DAA402BH21	Inclined Section, const. Length, L = 1960 mm	
60	DAA402BH_V14	Inclined Section, var. Length, Per. Spec.	
61	DAA402BH33	Inclined Section, const. Length, L = 2960 mm	Bronze Hairline 240#
62	DAA402BH35	Inclined Section, const. Length, L = 1960 mm	
63	DAA402BH_V18	Inclined Section, var. Length, Per. Spec.	

Inner Decking

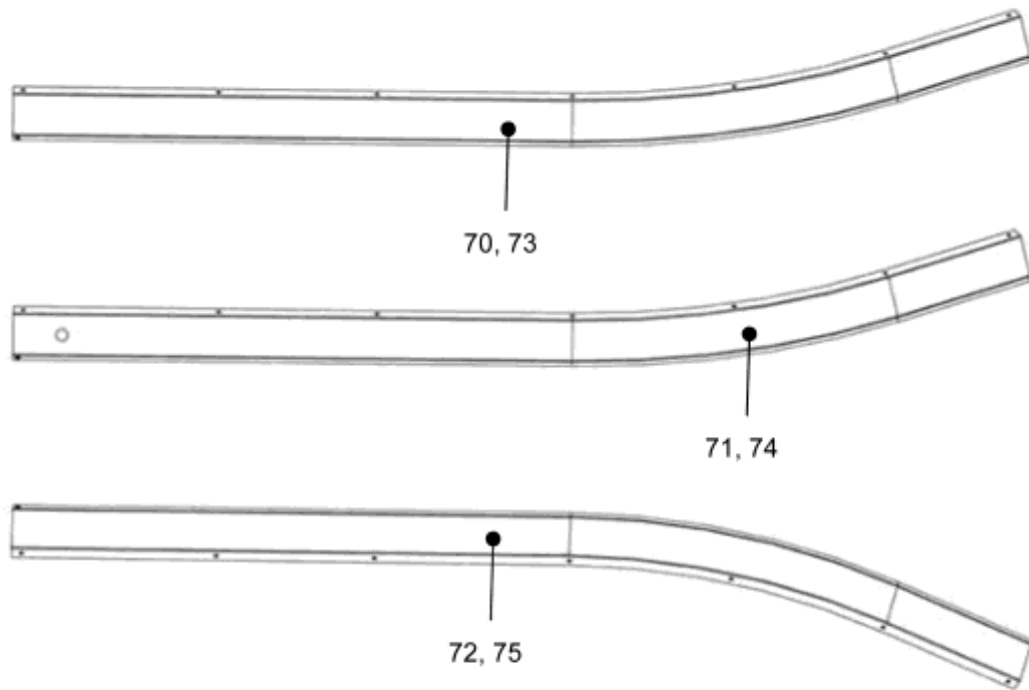
FOR 30° BRONZE HAIRLINE 240# INNER DECKING W/O SKIRT PANEL LIGHTING



DAA26228BV			
REF. No.	PART No.	DESCRIPTION	
64	DAA402JH25	ANSI, Left Side, LL	2 Flat Steps
65	DAA402JH26	ANSI W/ NY, Right Side, LL	
66	DAA402JH27	ANSI W/O NY, Right Side, LL	
67	DAA402JH28	ANSI, Left Side, LL	3 Flat Steps
68	DAA402JH29	ANSI W/ NY, Right Side, LL	
69	DAA402JH30	ANSI W/O NY, Right Side, LL	

Inner Decking

FOR 30° BRONZE HAIRLINE 240# INNER DECKING W/O SKIRT PANEL LIGHTING



UL=UPPER LANDING

DAA26228BV			
REF. No.	PART No.	DESCRIPTION	
70	DAA402JE25	ANSI W/ NY, Left Side, UL	2 Flat Steps
71	DAA402JE26	ANSI W/O NY, Left Side, UL	
72	DAA402JE27	ANSI, Right Side, UL	
73	DAA402JE28	ANSI W/ NY, Left Side, UL	3 Flat Steps
74	DAA402JE29	ANSI W/O NY, Left Side, UL	
75	DAA402JE30	ANSI, Right Side, UL	