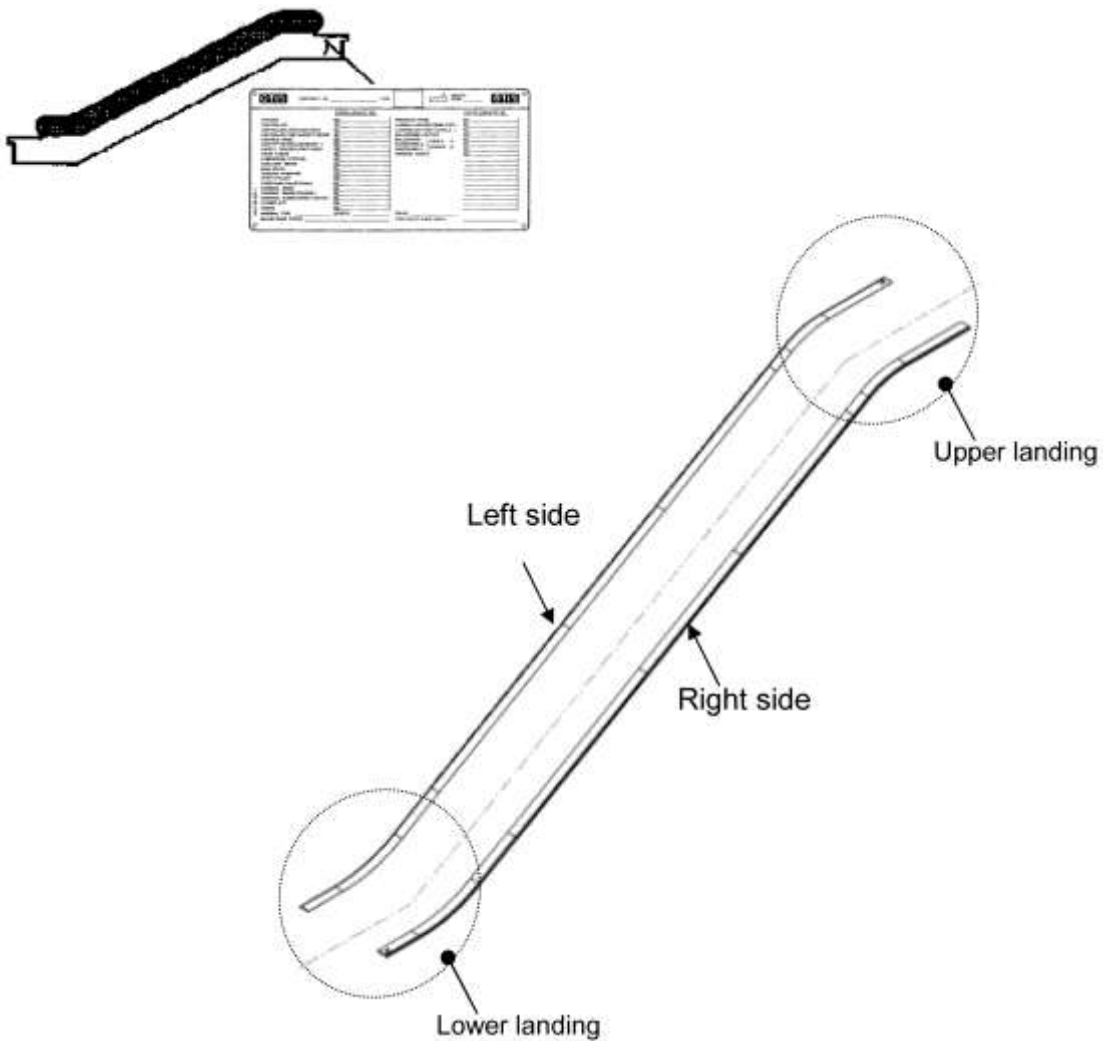


508NCE Escalator Glass Balustrade Outer Decking

Spare Parts Leaflet

57-DAA26228BX

December 30, 2009 / Page 1 of 27



Unpublished Work—© Otis Elevator Co.; 2009

OTIS

Safety First!

ESCALATOR ENGINEERING
Otis Elevator Company
SIT GUANGZOU

Leaflet Description

Glass Balustrade Outer Decking for 508NCE_ANSI Escalator

Leaflet Revisions

Date Revised	Subject Matter Expert	Reason for Revision
May 13, 2009	Bill Li	Release
December 30, 2009	Bill Li	Added pages 23–27 (CAD6A-000989) Corrected part numbers on pages 6–7 (CAD6A-000958) Corrected typing error “outer profile decking” to “outer decking”

Related Drawings

Drawing No.	Title	Drawing No.	Title
DAA26228BX	Glass Balustrade Outer Decking		

Related Documents

Document ID	Title
ODS DAA27076DX	Glass Balustrade Outer Decking

Subject Matter Expert

Name	Department
Bill Li	SIT Guangzhou

About Spare Parts Leaflets...

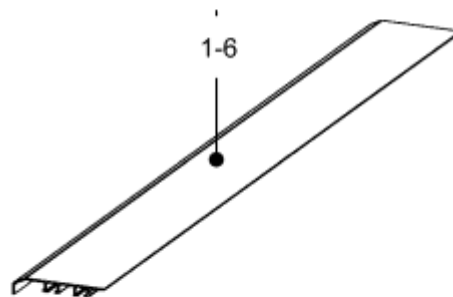
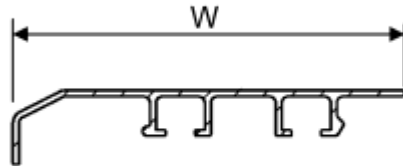
This document lists the lowest replaceable units (LRUs) for the standard version of the product. The LRUs are chosen by a team of Otis associates representing engineering and manufacturing.

While goal of this document is to make parts identification as easy as possible, the document cannot be all-inclusive. Elevator and escalator contracts classified as “special” or “custom” are not addressed here. For such contracts, please refer to specified information, the contract folder, TIPs, Field Education Articles, Construction Letters, etc. for further information.

If you have any suggestions about this document, please contact the subject matter expert listed on this page.

Glass Balustrade Outer Decking

For Alum Outer Decking

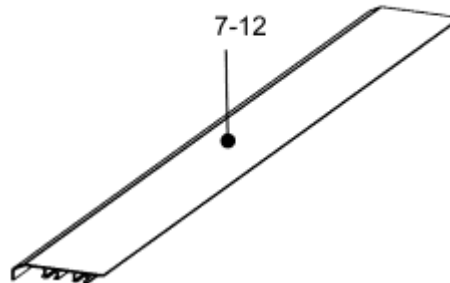
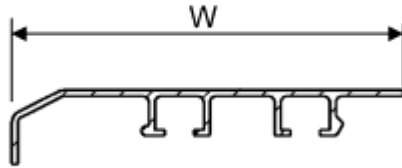


IN DOOR ONLY

		DAA26228BX	
REF. No.	PART No.	DESCRIPTION	
1	DAA402DZ1	Inclined Section, Aluminum Powder Coated, Const. Length, L = 2960 mm	Standard Profile W = 160
2	DAA402DZ3	Inclined Section, Aluminum Powder Coated, Const. Length, L = 1960 mm	
3	DAA402DZ_V2	Inclined Section, Aluminum Powder Coated, var. Length (per Spec).	
4	DAA402DZ4	Inclined Section, Aluminum Powder Coated, const. Length, L = 2960 mm	Broadened to Defined Dimension W = 161~185
5	DAA402DZ6	Inclined Section, Aluminum Powder Coated, Const. Length, L = 1960 mm	
6	DAA402DZ_V4	Inclined Section, Aluminum Powder Coated, var. Length (per Spec)	

Glass Balustrade Outer Decking

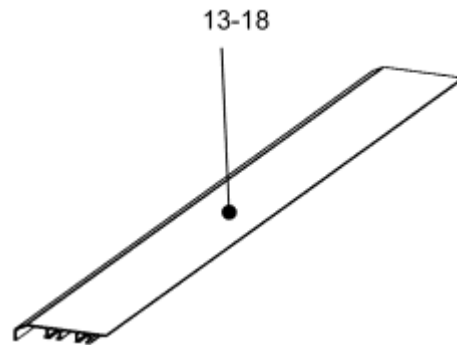
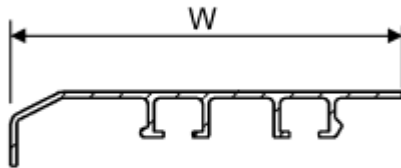
For Alum Outer Decking



DAA26228BX			
REF. No.	PART No.	DESCRIPTION	
7	DAA402DZ7	Inclined Section, Aluminum FO7, const. Length, L = 2960 mm	Standard Profile W = 160
8	DAA402DZ9	Inclined Section, Aluminum FO7, const. Length, L = 1960 mm	
9	DAA402DZ_V6	Inclined Section, Aluminum FO7, var. Length (per Spec).	
10	DAA402DZ10	Inclined Section, Aluminum FO7, const. Length, L = 2960 mm	Broadened to Defined Dimension W = 161~185
11	DAA402DZ12	Inclined Section, Aluminum FO7, const. Length, L = 1960 mm	
12	DAA402DZ_V8	Inclined Section, Aluminum FO7, var. Length (per Spec).	

Glass Balustrade Outer Decking

For Alum Outer Decking

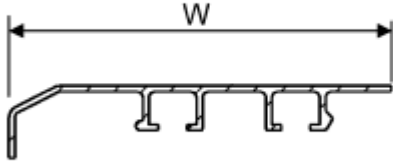


DAA26228BX			
REF. No.	PART No.	DESCRIPTION	
13	DAA402DZ13	Inclined Section, Aluminum FO10, const. Length, L = 2960 mm	Standard Profile W = 160
14	DAA402DZ15	Inclined Section, Aluminum FO10, const. Length, L = 1960 mm	
15	DAA402DZ_V10	Inclined Section, Aluminum FO10, var. Length (per Spec)	
16	DAA402DZ16	Inclined Section, Aluminum FO10, const. Length, L = 2960 mm	Broadened to Defined Dimension W = 161~185
17	DAA402DZ18	Inclined Section, Aluminum FO10, const. Length, L = 1960 mm	
18	DAA402DZ_V12	Inclined Section, Aluminum FO10, var. Length (per Spec)	

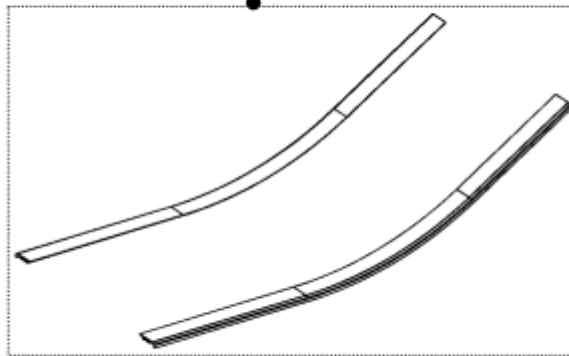
Glass Balustrade Outer Decking

For Alum Outer Decking - standard profile

30°



19-24



IN DOOR ONLY

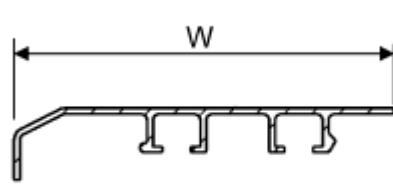
DAA26228BX

Lower Landing = LL

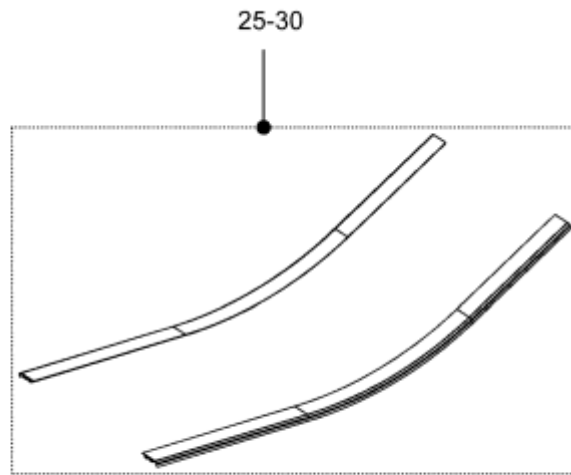
REF. No.	PART No.	DESCRIPTION	
19	DAA402JJ1	W = 160, w/o Traffic Flow Light, Aluminum Powder Coated, Left Side, LL	2 Flat Steps
20	DAA402JJ2	W = 160, w/o Traffic Flow Light, Aluminum Powder Coated, Right Side, LL	
21	DAA402JJ3	W = 160, w/o Traffic Flow Light, Aluminum Powder Coated, Left Side, LL	3 Flat Steps
22	DAA402JJ4	W = 160, w/o Traffic Flow Light, Aluminum Powder Coated, Right Side, LL	
23	DAA402JJ25 DAA402JJ65	W = 160, w/ Traffic Flow Light, Aluminum Powder Coated, Left Side, LL	2 Flat Steps
24	DAA402JJ27 DAA402JJ67	W = 160, w/ Traffic Flow Light, Aluminum Powder Coated, Left Side, LL	3 Flat Steps

Glass Balustrade Outer Decking

For Alum Outer Decking - broadened profile



30°



IN DOOR ONLY

DAA26228BX

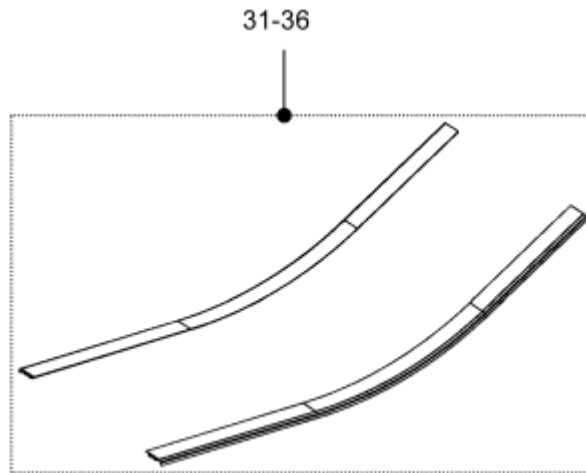
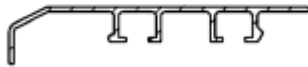
Lower Landing = LL

REF. No.	PART No.	DESCRIPTION	
25	DAA402JJ5	W = 161~185, w/o Traffic Flow Light, Aluminum Powder Coated, Left Side, LL	2 Flat Steps
26	DAA402JJ6	W = 161~185, w/o Traffic Flow Light, Aluminum Powder Coated, Right Side, LL	
27	DAA402JJ7	W = 161~185, w/o Traffic Flow Light, Aluminum Powder Coated, Left Side, LL	3 Flat Steps
28	DAA402JJ8	W = 161~185, w/o Traffic Flow Light, Aluminum Powder Coated, Right Side, LL	
29	DAA402JJ29 DAA402JJ69	W = 161~185, w/ Traffic Flow Light, Aluminum Powder Coated, Left Side, LL	2 Flat Steps
30	DAA402JJ34 DAA402JJ71	W = 161~185, w/ Traffic Flow Light, Aluminum Powder Coated, Left Side, LL	3 Flat Steps

**508NCE Escalator
Glass Balustrade Outer Decking**

For Alum Outer Decking - standard profile

30°



DAA26228BX

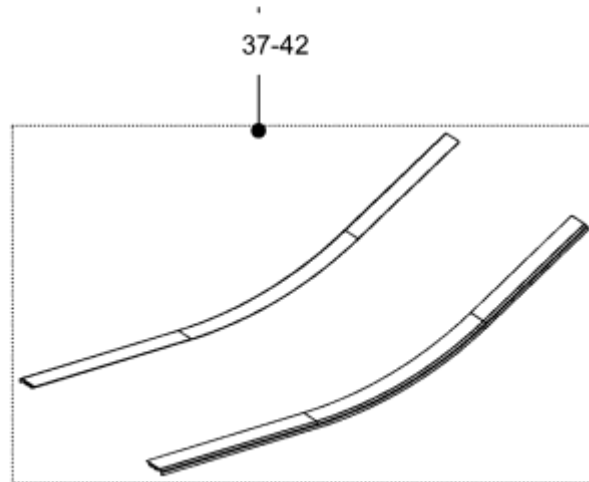
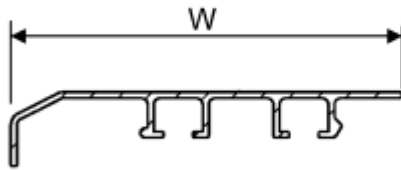
Lower Landing = LL

REF. No.	PART No.	DESCRIPTION	
31	DAA402JJ9	W = 160, w/o Traffic Flow Light, Aluminum FO7, Left Side, LL	2 Flat Steps
32	DAA402JJ10	W = 160, w/o Traffic Flow Light, Aluminum FO7, Right Side, LL	
33	DAA402JJ11	W = 160, w/o Traffic Flow Light, Aluminum FO7, Left Side, LL	3 Flat Steps
34	DAA402JJ12	W = 160, w/o Traffic Flow Light, Aluminum FO7, Right Side, LL	
35	DAA402JJ49	W = 160, w/ Traffic Flow Light, Aluminum FO7, Left Side, LL	2 Flat Steps
36	DAA402JJ51	W = 160, w/ Traffic Flow Light, Aluminum FO7, Left Side, LL	3 Flat Steps

Glass Balustrade Outer Decking

For Alum Outer Decking - broadened profile

30°



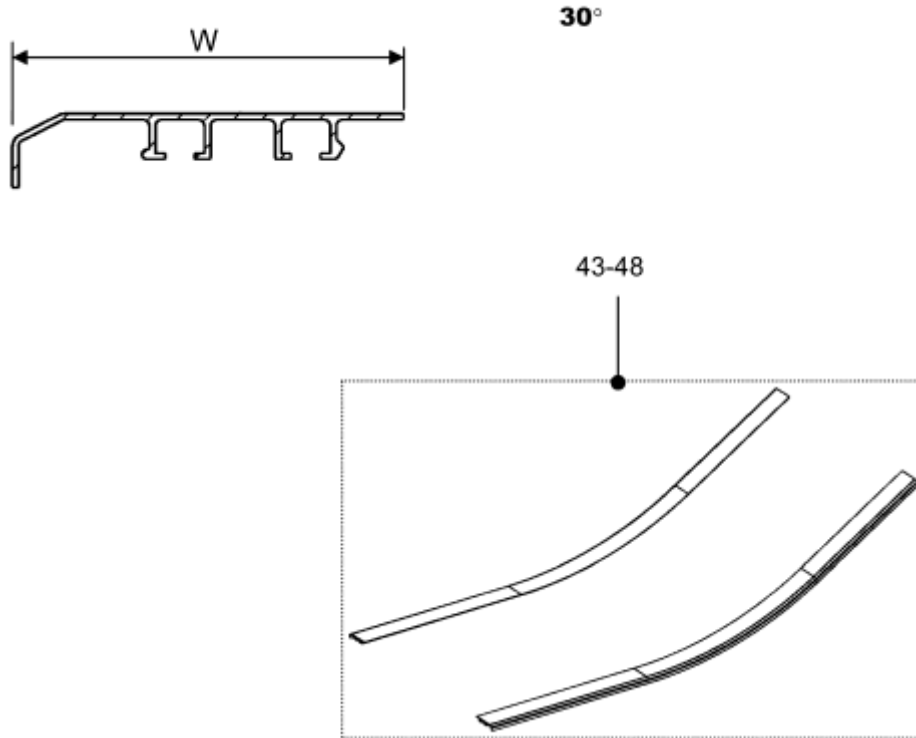
DAA26228BX

Lower Landing = LL

REF. No.	PART No.	DESCRIPTION	
37	DAA402JJ13	W = 161~185, w/o Traffic Flow Light, Aluminum FO7, Left Side, LL	2 Flat Steps
38	DAA402JJ14	W = 161~185, w/o Traffic Flow Light, Aluminum FO7, Right Side, LL	
39	DAA402JJ15	W = 161~185, w/o Traffic Flow Light, Aluminum FO7, Left Side, LL	3 Flat Steps
40	DAA402JJ16	W = 161~185, w/o Traffic Flow Light, Aluminum FO7, Right Side, LL	
41	DAA402JJ53	W = 161~185, w/ Traffic Flow Light, Aluminum FO7, Left Side, LL	2 Flat Steps
42	DAA402JJ55	W = 161~185, w/ Traffic Flow Light, Aluminum FO7, Left Side, LL	3 Flat Steps

**508NCE Escalator
Glass Balustrade Outer Decking**

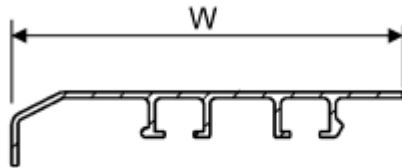
For Alum Outer Decking - standard profile



DAA26228BX		Lower Landing = LL	
REF. No.	PART No.	DESCRIPTION	
43	DAA402JJ17	W = 160, w/o Traffic Flow Light, Aluminum FO10, Left Side, LL	2 Flat Steps
44	DAA402JJ18	W = 160, w/o Traffic Flow Light, Aluminum FO10, Right Side, LL	
45	DAA402JJ19	W = 160, w/o Traffic Flow Light, Aluminum FO10, Left Side, LL	3 Flat Steps
46	DAA402JJ20	W = 160, w/ & w/o Traffic Flow Light, Aluminum FO10, Right Side, LL	
47	DAA402JJ57	W = 160, w/ Traffic Flow Light, Aluminum FO10, Left Side, LL	2 Flat Steps
48	DAA402JJ59	W = 160, w/ Traffic Flow Light, Aluminum FO10, Left Side, LL	3 Flat Steps

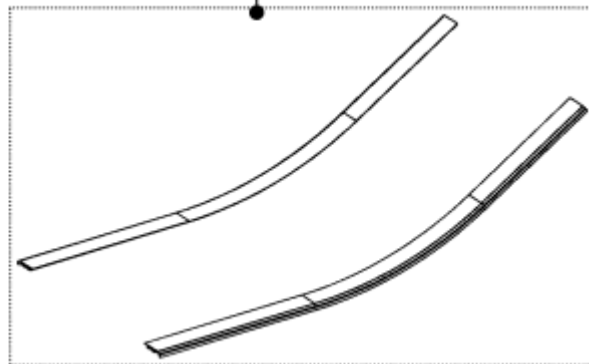
Glass Balustrade Outer Decking

For Alum Outer Decking - broadened profile



30°

49-54



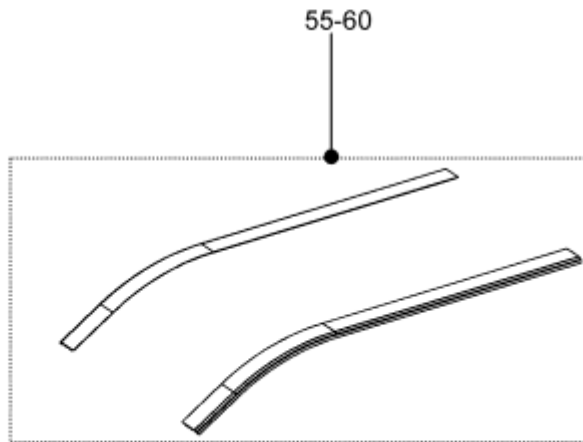
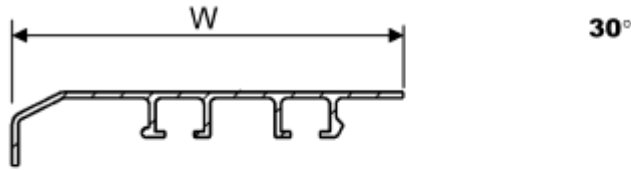
DAA26228BX

Lower Landing = LL

REF. No.	PART No.	DESCRIPTION	
49	DAA402JJ21	W = 161~185, w/o Traffic Flow Light, Aluminum FO10, Left Side, LL	2 Flat Steps
50	DAA402JJ22	W = 161~185, w/o Traffic Flow Light, Aluminum FO10, Right Side, LL	
51	DAA402JJ23	W = 161~185, w/o Traffic Flow Light, Aluminum FO10, Left Side, LL	3 Flat Steps
52	DAA402JJ24	W = 161~185, w/o Traffic Flow Light, Aluminum FO10, Right Side, LL	
53	DAA402JJ61	W = 161~185, w/ Traffic Flow Light, Aluminum FO10, Left Side, LL	2 Flat Steps
54	DAA402JJ63	W = 161~185, w/ Traffic Flow Light, Aluminum FO10, Left Side, LL	3 Flat Steps

Glass Balustrade Outer Decking

For Alum Outer Decking - standard profile



IN DOOR ONLY

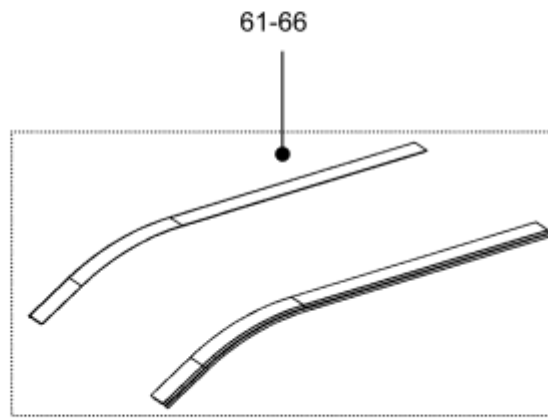
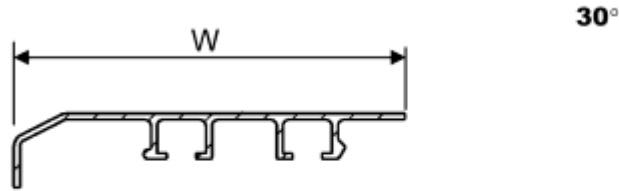
DAA26228BX

Upper Landing = UL

REF. No.	PART No.	DESCRIPTION	
55	DAA402JK1	W = 160, w/o Traffic Flow Light, Aluminum Powder Coated, Left Side, UL	2 Flat Steps
56	DAA402JK2	W = 160, w/o Traffic Flow Light, Aluminum Powder Coated, Right Side, UL	
57	DAA402JK3	W = 160, w/o Traffic Flow Light, Aluminum Powder Coated, Left Side, UL	3 Flat Steps
58	DAA402JK4	W = 160, w/o Traffic Flow Light, Aluminum Powder Coated, Right Side, UL	
59	DAA402JK66	W = 160, w/ Traffic Flow Light, Aluminum Powder Coated, Right Side, UL	2 Flat Steps
60	DAA402JK68	W = 160, w/ Traffic Flow Light, Aluminum Powder Coated, Right Side, UL	3 Flat Steps

Glass Balustrade Outer Decking

For Alum Outer Decking - broadened profile

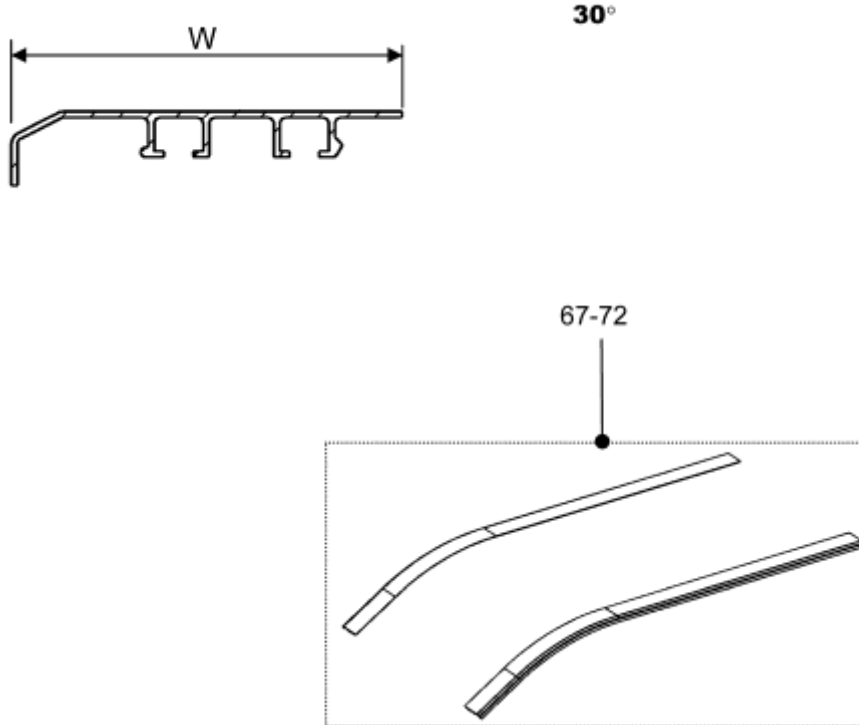


IN DOOR ONLY

DAA26228BX		Upper Landing = UL	
REF. No.	PART No.	DESCRIPTION	
61	DAA402JK5	W = 161~185, w/o Traffic Flow Light, Aluminum Powder Coated, Left Side, UL	2 Flat Steps
62	DAA402JK6	W = 161~185, w/o Traffic Flow Light, Aluminum Powder Coated, Right Side, UL	
63	DAA402JK7	W = 161~185, w/o Traffic Flow Light, Aluminum Powder Coated, Left Side, UL	3 Flat Steps
64	DAA402JK8	W = 161~185, w/o Traffic Flow Light, Aluminum Powder Coated, Right Side, UL	
65	DAA402JK70	W = 161~185, w/ Traffic Flow Light, Aluminum Powder Coated, Right Side, UL	2 Flat Steps
66	DAA402JK72	W = 161~185, w/ Traffic Flow Light, Aluminum Powder Coated, Right Side, UL	3 Flat Steps

Glass Balustrade Outer Decking

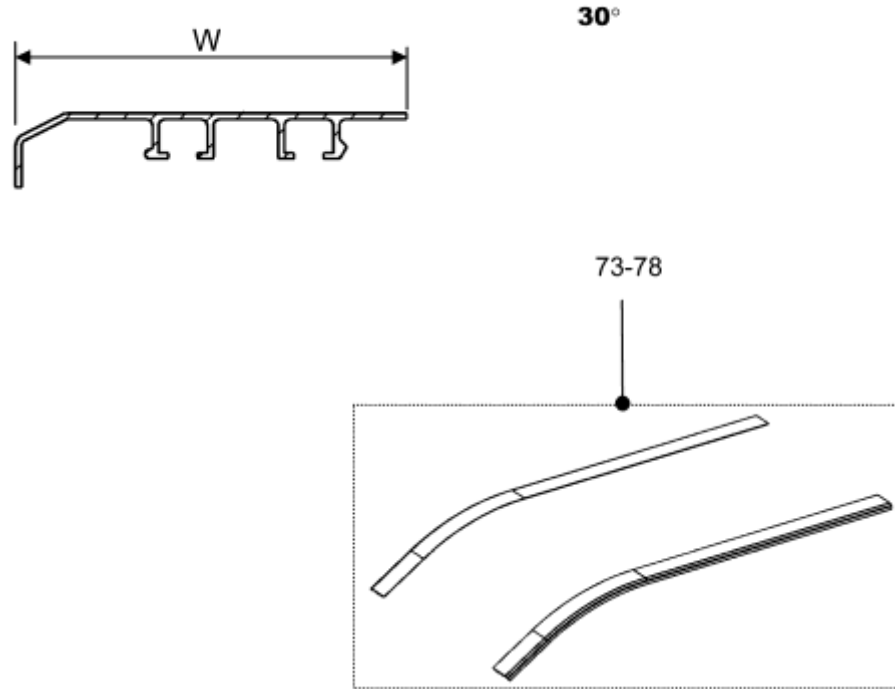
For Alum Outer Decking - standard profile



DAA26228BX		Upper Landing = UL	
REF. No.	PART No.	DESCRIPTION	
67	DAA402JK9	W = 160, w/o Traffic Flow Light, Aluminum FO7, Left Side, UL	2 Flat Steps
68	DAA402JK10	W = 160, w/o Traffic Flow Light, Aluminum FO7, Right Side, UL	
69	DAA402JK11	W = 160, w/o Traffic Flow Light, Aluminum FO7, Left Side, UL	3 Flat Steps
70	DAA402JK12	W = 160, w/o Traffic Flow Light, Aluminum FO7, Right Side, UL	
71	DAA402JK50	W = 160, w/ Traffic Flow Light, Aluminum FO7, Right Side, UL	2 Flat Steps
72	DAA402JK52	W = 160, w/ Traffic Flow Light, Aluminum FO7, Right Side, UL	3 Flat Steps

Glass Balustrade Outer Decking

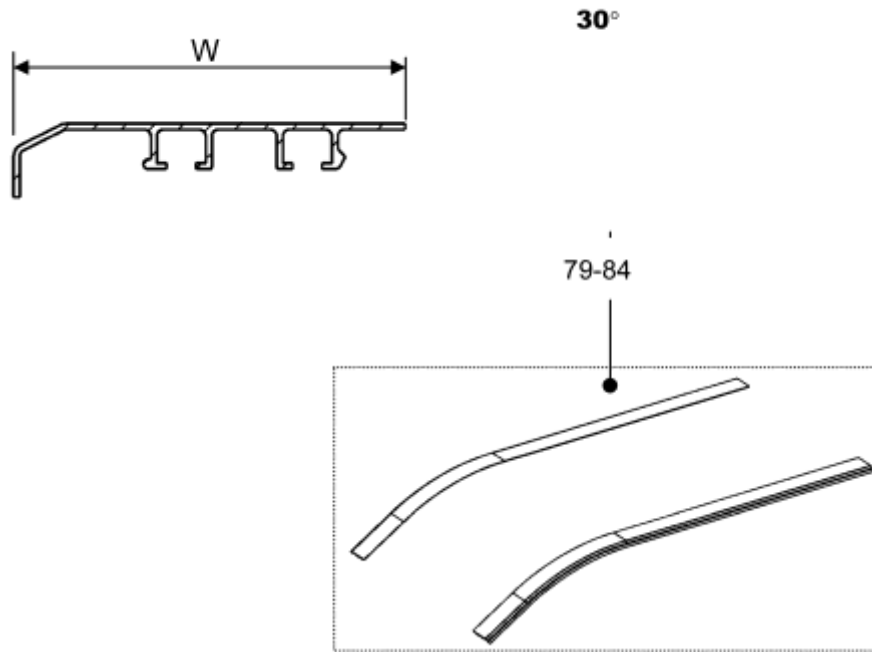
For Alum Outer Decking - broadened profile



DAA26228BX		Upper Landing = UL	
REF. No.	PART No.	DESCRIPTION	
73	DAA402JK13	W = 161~185, w/o Traffic Flow Light, Aluminum FO7, Left Side, UL	2 Flat Steps
74	DAA402JK14	W = 161~185, w/o Traffic Flow Light, Aluminum FO7, Right Side, UL	
75	DAA402JK15	W = 161~185, w/o Traffic Flow Light, Aluminum FO7, Left Side, UL	3 Flat Steps
76	DAA402JK16	W = 161~185, w/o Traffic Flow Light, Aluminum FO7, Right Side, UL	
77	DAA402JK54	W = 161~185, w/ Traffic Flow Light, Aluminum FO7, Right Side, UL	2 Flat Steps
78	DAA402JK56	W = 161~185, w/ Traffic Flow Light, Aluminum FO7, Right Side, UL	3 Flat Steps

**508NCE Escalator
Glass Balustrade Outer Decking**

For Alum Outer Decking - Standard Profile



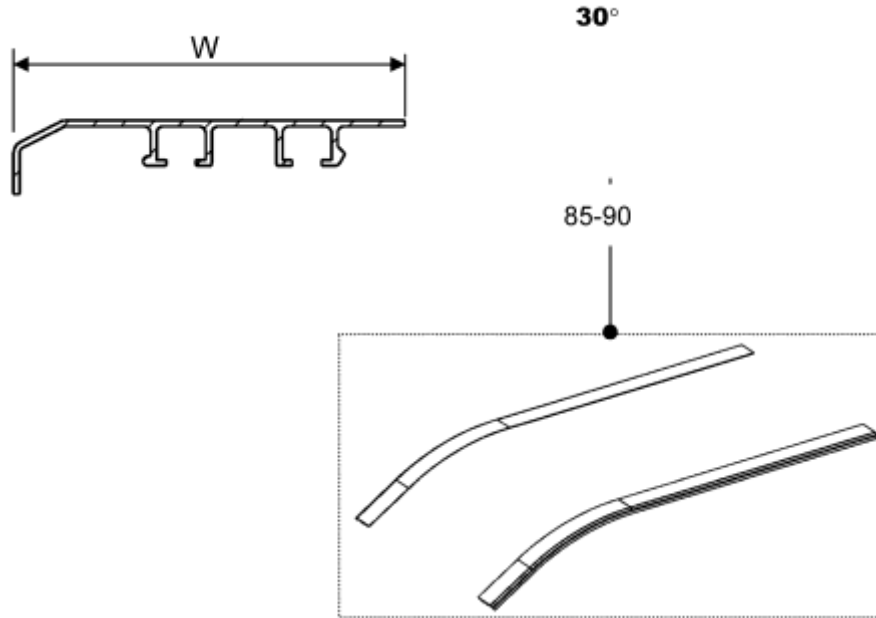
DAA26228BX

Upper Landing = UL

REF. No.	PART No.	DESCRIPTION	
79	DAA402JK17	W = 160, w/o Traffic Flow Light, Aluminum FO10, Left Side, UL	2 Flat Steps
80	DAA402JK18	W = 160, w/o Traffic Flow Light, Aluminum FO10, Right Side, UL	
81	DAA402JK19	W = 160, w/o Traffic Flow Light, Aluminum FO10, Left Side, UL	3 Flat Steps
82	DAA402JK20	W = 160, w/o Traffic Flow Light, Aluminum FO10, Right Side, UL	
83	DAA402JK58	W = 160, w/ Traffic Flow Light, Aluminum FO10, Right Side, UL	2 Flat Steps
84	DAA402JK60	W = 160, w/ Traffic Flow Light, Aluminum FO10, Right Side, UL	3 Flat Steps

Glass Balustrade Outer Decking

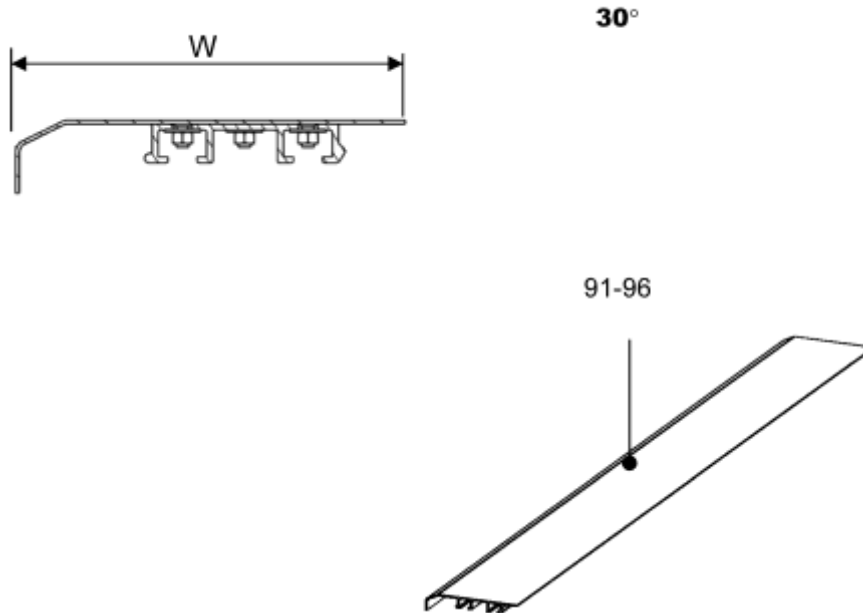
For Alum Outer Decking - Broadened Profile



DAA26228BX		Upper Landing = UL	
REF. No.	PART No.	DESCRIPTION	
85	DAA402JK21	W = 161~185, w/o Traffic Flow Light, Aluminum FO10, Left Side, UL	2 Flat Steps
86	DAA402JK22	W = 161~185, w/o Traffic Flow Light, Aluminum FO10, Right Side, UL	
87	DAA402JK23	W = 161~185, w/o Traffic Flow Light, Aluminum FO10, Left Side, UL	3 Flat Steps
88	DAA402JK24	W = 161~185, w/o Traffic Flow Light, Aluminum FO10, Right Side, UL	
89	DAA402JK62	W = 161~185, w/ Traffic Flow Light, Aluminum FO10, Right Side, UL	2 Flat Steps
90	DAA402JK64	W = 161~185, w/ Traffic Flow Light, Aluminum FO10, Right Side, UL	3 Flat Steps

**508NCE Escalator
Glass Balustrade Outer Decking**

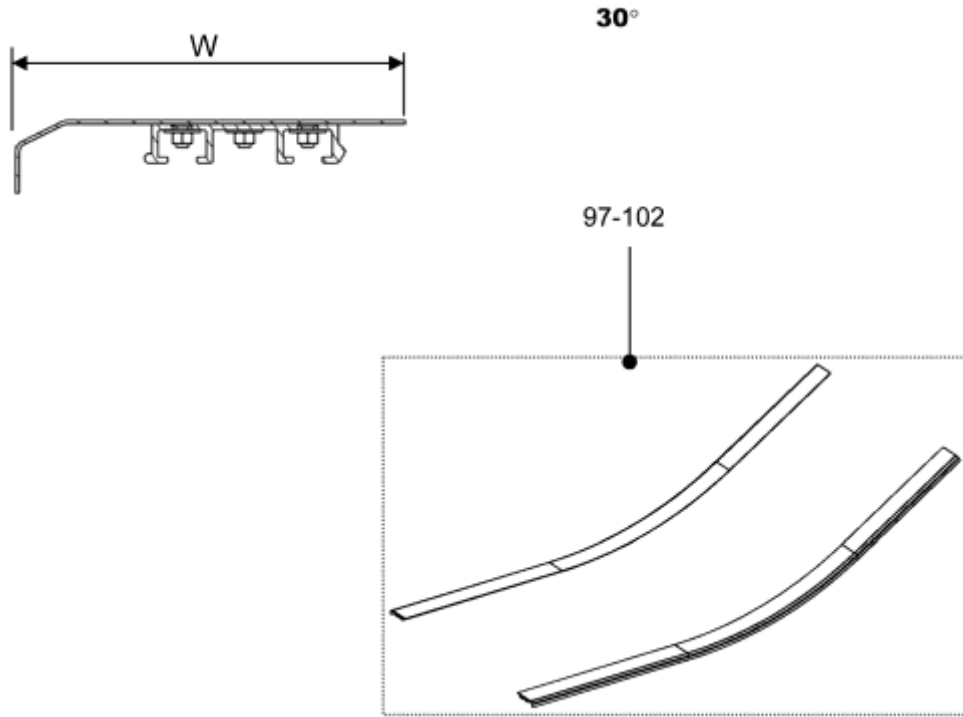
For Stainless Steel Outer Decking



DAA26228BX			
REF. No.	PART No.	DESCRIPTION	
91	DAA402BK1	Inclined Section, G2, const. Length, L = 2960 mm	Standard Profile W = 160
92	DAA402BK3	Inclined Section, G2, const. Length, L = 1960 mm	
93	DAA402BK_V2	Inclined Section, G2, var. Length (per Spec)	
94	DAA402BK4	Inclined Section, G2, const. Length, L = 2960 mm	Broadened to Defined Dimension W = 161~185
95	DAA402BK6	Inclined Section, G2, const. Length, L = 1960 mm	
96	DAA402BK_V4	Inclined Section, G2, var. Length (per Spec)	

Glass Balustrade Outer Decking

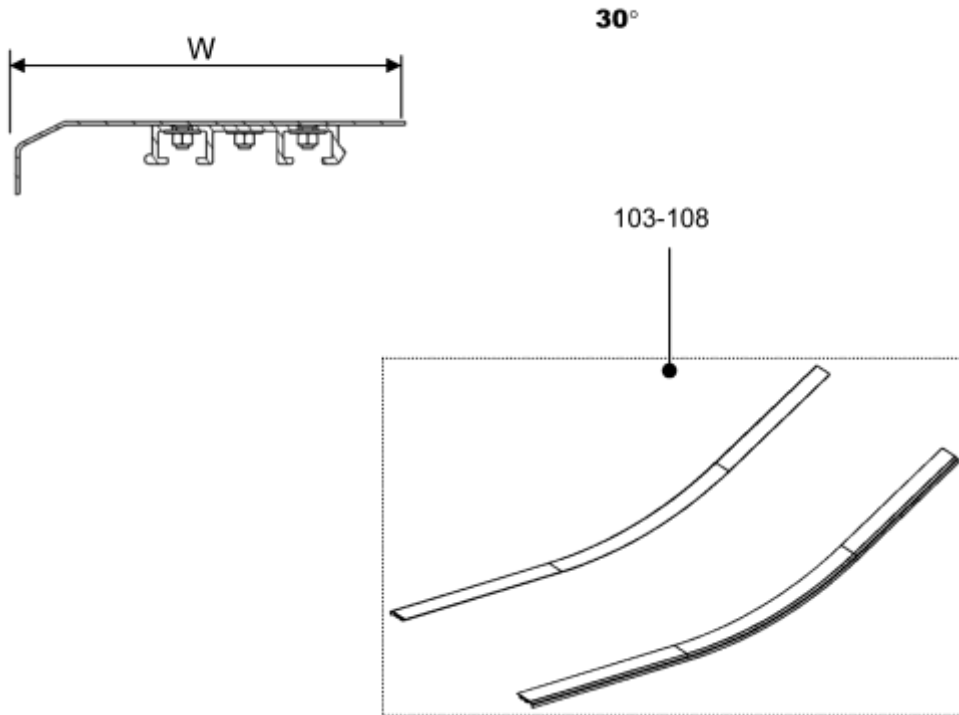
For Stainless Steel Outer Decking - Standard Profile



DAA26228BX		Lower Landing = LL	
REF. No.	PART No.	DESCRIPTION	
97	DAA402JT1	W = 160, w/o Traffic Flow Light, G2, Left Side, LL	2 Flat Steps
98	DAA402JT2	W = 160, w/o Traffic Flow Light, G2, Right Side, LL	
99	DAA402JT3	W = 160, w/o Traffic Flow Light, G2, Left Side, LL	3 Flat Steps
100	DAA402JT4	W = 160, w/o Traffic Flow Light, G2, Right Side, LL	
101	DAA402JT17	W = 160, w/ Traffic Flow Light, G2, Left Side, LL	2 Flat Steps
102	DAA402JT19	W = 160, w/ Traffic Flow Light, G2, Left Side, LL	3 Flat Steps

Glass Balustrade Outer Decking

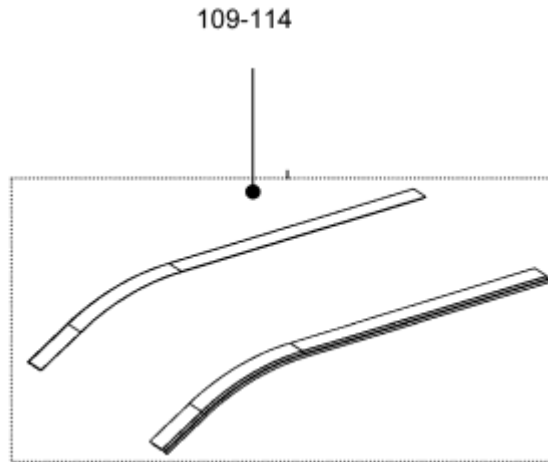
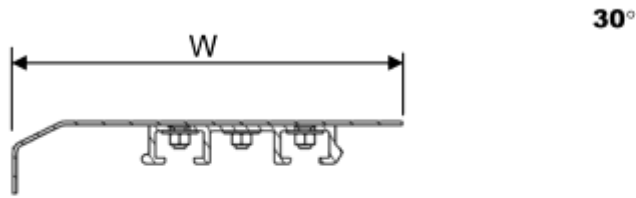
For Stainless Steel Outer Decking - Broadened Profile



DAA26228BX		Lower Landing = LL	
REF. No.	PART No.	DESCRIPTION	
103	DAA402JT5	W = 161~185, w/o Traffic Flow Light, G2, Left Side, LL	2 Flat Steps
104	DAA402JT6	W = 161~185, w/o Traffic Flow Light, G2, Right Side, LL	
105	DAA402JT7	W = 161~185, w/o Traffic Flow Light, G2, Left Side, LL	3 Flat Steps
106	DAA402JT8	W = 161~185, w/o Traffic Flow Light, G2, Right Side, LL	
107	DAA402JT21	W = 161~185, w/ Traffic Flow Light, G2, Left Side, LL	2 Flat Steps
108	DAA402JT23	W = 161~185, w/ Traffic Flow Light, G2, Left Side, LL	3 Flat Steps

Glass Balustrade Outer Decking

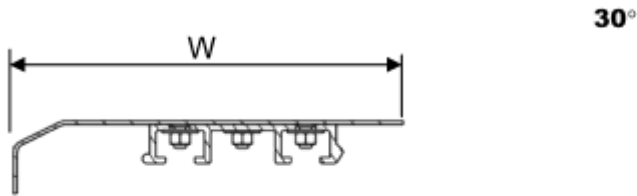
For Stainless Steel Outer Decking - Standard Profile



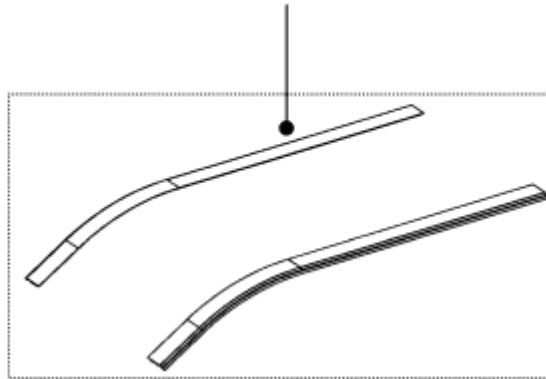
DAA26228BX		Upper Landing = UL	
REF. No.	PART No.	DESCRIPTION	
109	DAA402JV1	W = 160, w/o Traffic Flow Light, G2, Left Side, UL	2 Flat Steps
110	DAA402JV2	W = 160, w/o Traffic Flow Light, G2, Right Side, UL	
111	DAA402JV3	W = 160, w/o Traffic Flow Light, G2, Left Side, UL	3 Flat Steps
112	DAA402JV4	W = 160, w/o Traffic Flow Light, G2, Right Side, UL	
113	DAA402JV18	W = 160, w/ Traffic Flow Light, G2, Right Side, UL	2 Flat Steps
114	DAA402JV20	W = 160, w/ Traffic Flow Light, G2, Right Side, UL	3 Flat Steps

Glass Balustrade Outer Decking

For Stainless Steel Outer Decking - Broadened Profile



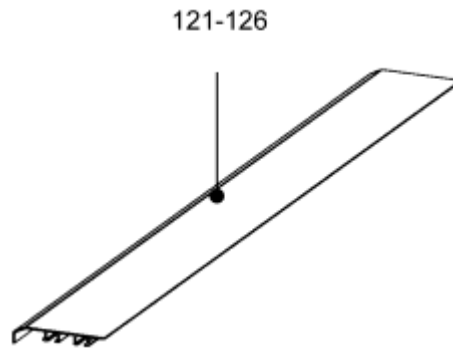
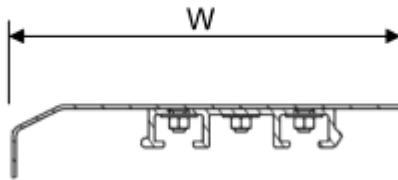
115-120



DAA26228BX		Upper Landing = UL	
REF. No.	PART No.	DESCRIPTION	
115	DAA402JV5	W = 161~185, w/o Traffic Flow Light, G2, Left Side, UL	2 Flat Steps
116	DAA402JV6	W = 161~185, w/o Traffic Flow Light, G2, Right Side, UL	
117	DAA402JV7	W = 161~185, w/o Traffic Flow Light, G2, Left Side, UL	3 Flat Steps
118	DAA402JV8	W = 161~185, w/o Traffic Flow Light, G2, Right Side, UL	
119	DAA402JV22	W = 161~185, w/ Traffic Flow Light, G2, Right Side, UL	2 Flat Steps
120	DAA402JV24	W = 161~185, w/ Traffic Flow Light, G2, Right Side, UL	3 Flat Steps

Glass Balustrade Outer Decking

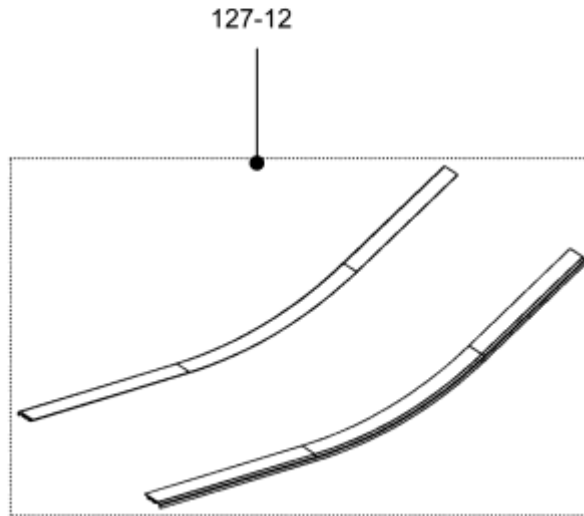
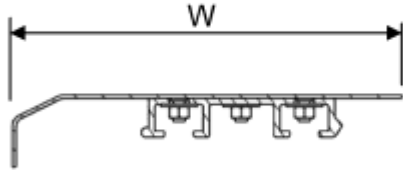
For Bronze Hairline 240# Outer Decking
Inclination degree: 30°



DAA26228BX			
REF. No.	PART No.	DESCRIPTION	
121	DAA402BK25	Inclined Section, const. Length, L = 2960 mm	Standard Profile W = 160
122	DAA402BK27	Inclined Section, const. Length, L = 1960 mm	
123	DAA402BK_V18	Inclined Section, var. Length (per Spec)	
124	DAA402BK28	Inclined Section, const. Length, L = 2960 mm	Broadened to Defined Dimension W = 161~185
125	DAA402BK30	Inclined Section, const. Length, L = 1960 mm	
126	DAA402BK_V20	Inclined Section, var. Length (per Spec)	

Glass Balustrade Outer Decking

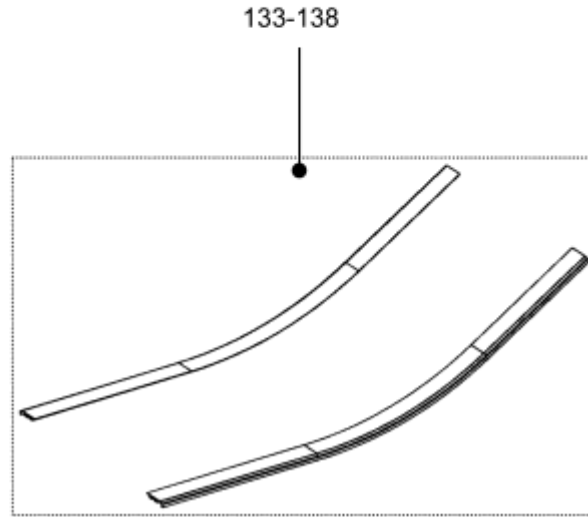
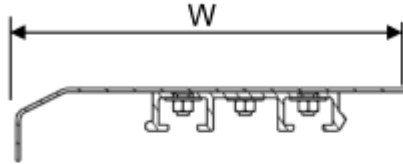
For Bronze Hairline 240# Outer Decking - Standard Profile
 Inclination Degree: 30°



DAA26228BX		Lower Landing = LL	
REF. No.	PART No.	DESCRIPTION	
127	DAA402JT51	W = 160, w/o Traffic Flow Light, Left Side, LL	2 Flat Steps
128	DAA402JT52	W = 160, w/o Traffic Flow Light, Right Side, LL	
129	DAA402JT53	W = 160, w/o Traffic Flow Light, Left Side, LL	3 Flat Steps
130	DAA402JT54	W = 160, w/o Traffic Flow Light, Right Side, LL	
131	DAA402JT67	W = 160, w/ Traffic Flow Light, Left Side, LL	2 Flat Steps
132	DAA402JT69	W = 160, w/ Traffic Flow Light, Left Side, LL	3 Flat Steps

Glass Balustrade Outer Decking

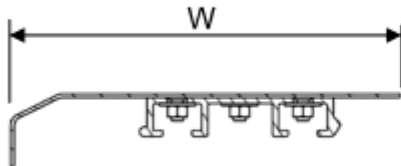
For Bronze Hairline 240# Outer Decking - Broadened Profile
 Inclination Degree: 30°



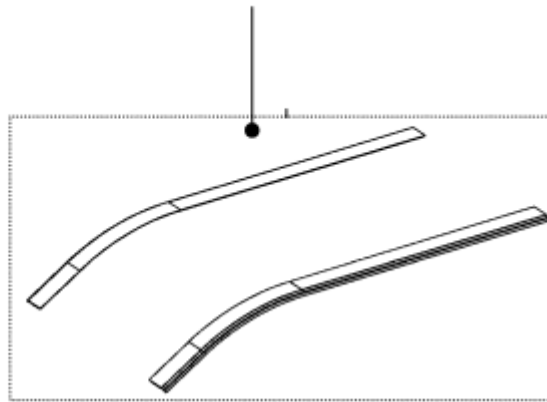
DAA26228BX			
REF. No.	PART No.	DESCRIPTION	
133	DAA402JT55	W = 161~185, w/o Traffic Flow Light, Left Side, LL	2 Flat Steps
134	DAA402JT56	W = 161~185, w/o Traffic Flow Light, Right Side, LL	
135	DAA402JT57	W = 161~185, w/o Traffic Flow Light, Left Side, LL	3 Flat Steps
136	DAA402JT58	W = 161~185, w/o Traffic Flow Light, Right Side, LL	
137	DAA402JT71	W = 161~185, w/ Traffic Flow Light, Left Side, LL	2 Flat Steps
138	DAA402JT73	W = 161~185, w/ Traffic Flow light, Left Side, LL	3 Flat Steps

Glass Balustrade Outer Decking

For Bronze Hairline 240# Outer Decking - Standard Profile
 Inclination Degree: 30°



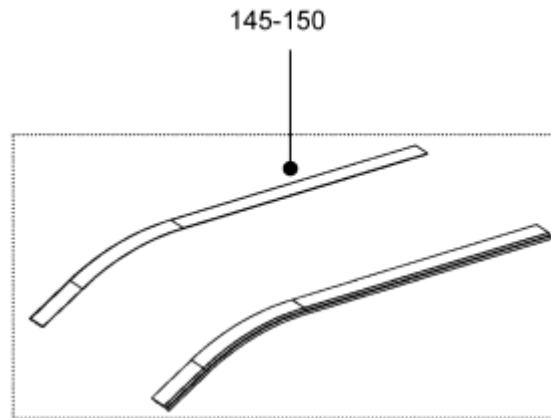
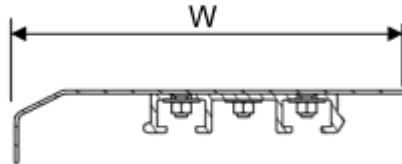
139-144



DAA26228BX		Upper Landing = UL	
REF. No.	PART No.	DESCRIPTION	
139	DAA402JV51	W = 160, w/o Traffic Flow Light, Left Side, UL	2 Flat Steps
140	DAA402JV52	W = 160, w/o Traffic Flow Light, Right Side, UL	
141	DAA402JV53	W = 160, w/o Traffic Flow Light, Left Side, UL	3 Flat Steps
142	DAA402JV54	W = 160, w/o Traffic Flow Light, Right Side, UL	
143	DAA402JV68	W = 160, w/ Traffic Flow Light, Right Side, UL	2 Flat Steps
144	DAA402JV70	W = 160, w/ Traffic Flow Light, Right Side, UL	3 Flat Steps

Glass Balustrade Outer Decking

For Bronze Hairline 240# Outer Decking - Broadened Profile
 Inclination Degree: 30°



DAA26228BX		Upper Landing = UL	
REF. No.	PART No.	DESCRIPTION	
145	DAA402JV55	W = 161~185, w/o Traffic Flow Light, Left Side, UL	2 Flat Steps
146	DAA402JV56	W = 161~185, w/o Traffic Flow Light, Right Side, UL	
147	DAA402JV57	W = 161~185, w/o Traffic Flow Light, Left Side, UL	3 Flat Steps
148	DAA402JV58	W = 161~185, w/o Traffic Flow Light, Right Side, UL	
149	DAA402JV72	W = 161~185, w/ Traffic Flow Light, Right Side, UL	2 Flat Steps
150	DAA402JV74	W = 161~185, w/ Traffic Flow Light, Right Side, UL	3 Flat Steps