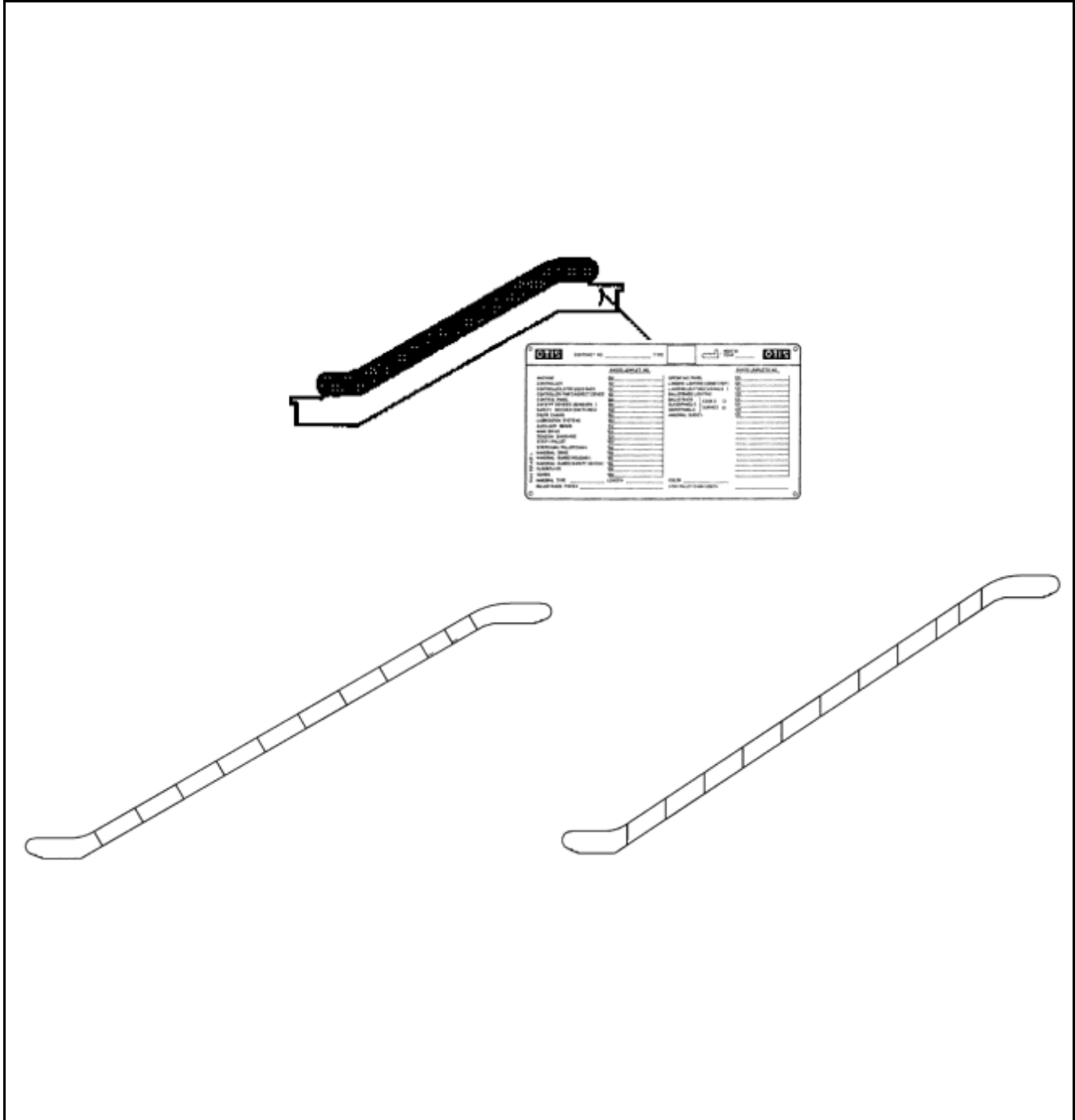


**512NCE ANSI Escalator  
Balustrade Glass  
Interior Panel**

**Spare Parts Leaflet**

**57-DAA26228BY**

**May 8, 2009 / Page 1 of 20**



Unpublished Work—©Otis Elevator Co.; 2009

**OTIS**

**Safety First!**

**ESCALATOR ENGINEERING  
Otis Elevator Company  
SIT Guangzhou**

**Leaflet Description**

Balustrade glass / interior panel

**Leaflet Revisions**

<b>Date Revised</b>	<b>Subject Matter Expert</b>	<b>Reason for Revision</b>
May 8, 2009	Li, Biao	Release

**Related Drawings**

<b>Drawing No.</b>	<b>Title</b>	<b>Drawing No.</b>	<b>Title</b>
DAA26228BY	Balustrade Glass/Interior Panel		

**Related Documents**

<b>Document ID</b>	<b>Title</b>
ODS DAA27076ER	Balustrade Glass/Interior Panel

**Subject Matter Expert**

<b>Name</b>	<b>Department</b>
Li, Biao	SIT-Guangzhou

**About Spare Parts Leaflets...**

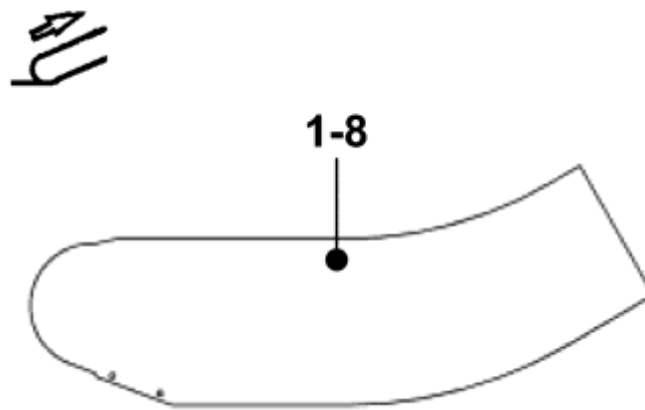
This document lists the lowest replaceable units (LRUs) for the standard version of the product. The LRUs are chosen by a team of Otis associates representing engineering and manufacturing.

While goal of this document is to make parts identification as easy as possible, the document cannot be all-inclusive. Elevator and escalator contracts classified as "special" or "custom" are not addressed here. For such contracts, please refer to specified information, the contract folder, TIPs, Field Education Articles, Construction Letters, etc. for further information.

If you have any suggestions about this document, please contact the subject matter expert listed on this page.

**w/o Illumination, for Roller Newel,  
Perpendicular to Step Nose Line,  
Lower Landing**

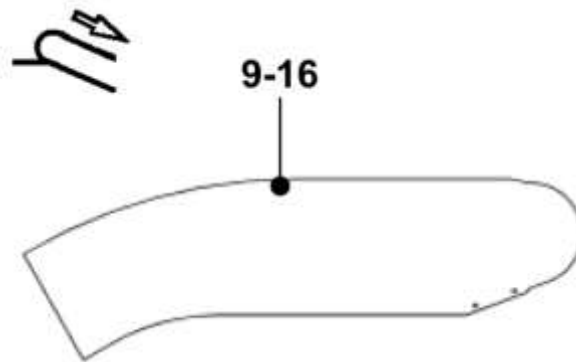
**57-DAA26218BY**



<b>DAA26228BY</b>				
<b>REF. No.</b>	<b>PART No.</b>	<b>DESCRIPTION</b>		
1	DAA434HA1	Glass Panel, ANSI 30°	Clear	Balustrade Heights 1000 m  2 Flat Steps
2	DAA434HA2	Glass Panel, ANSI 30°	Smoked	
3	DAA434HA3	Glass Panel, ANSI 30°	Green	
4	DAA434HA4	Glass Panel, ANSI 30°	Bronze	
5	DAA434HA5	Glass Panel, ANSI 30°	Clear	Balustrade Heights 1000 m  3 Flat Steps
6	DAA434HA6	Glass Panel, ANSI 30°	Smoked	
7	DAA434HA7	Glass Panel, ANSI 30°	Green	
8	DAA434HA8	Glass Panel, ANSI 30°	Bronze	

**57-DAA26228BY**

**w/o Illumination, for Roller Newel,  
Perpendicular to Step Nose Line,  
Upper Landing**

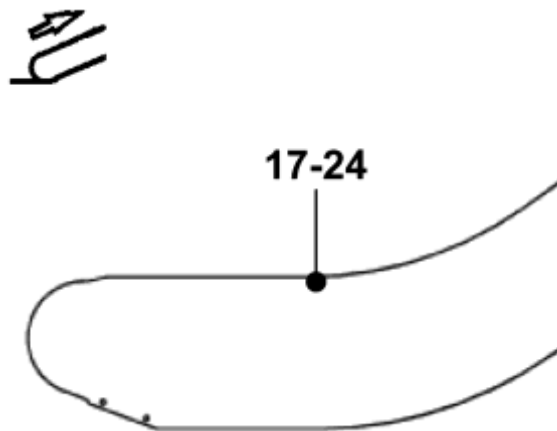


**DAA26228BY**

<b>REF. No.</b>	<b>PART No.</b>	<b>DESCRIPTION</b>		
9	DAA434HB1	Glass Panel, ANSI 30°	Clear	Balustrade Heights 1000 m  2 Flat Steps
10	DAA434HB2	Glass Panel, ANSI 30°	Smoked	
11	DAA434HB3	Glass Panel, ANSI 30°	Green	
12	DAA434HB4	Glass Panel, ANSI 30°	Bronze	
13	DAA434HB5	Glass Panel, ANSI 30°	Clear	Balustrade Heights 1000 m  3 Flat Steps
14	DAA434HB6	Glass Panel, ANSI 30°	Smoked	
15	DAA434HB7	Glass Panel, ANSI 30°	Green	
16	DAA434HB8	Glass Panel, ANSI 30°	Bronze	

**w/o Illumination, for Roller Newel,  
Perpendicular to Floor Line,  
Lower Landing**

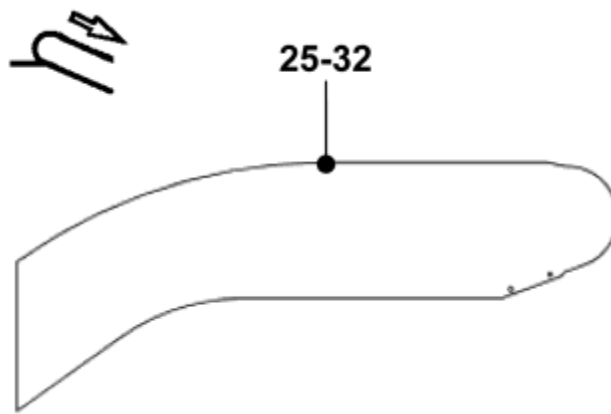
**57-DAA26228BY**



<b>DAA26228BY</b>				
<b>REF. No.</b>	<b>PART No.</b>	<b>DESCRIPTION</b>		
17	DAA434HC1	Glass Panel, ANSI 30°	Clear	Balustrade Heights 1000 m  2 Flat Steps
18	DAA434HC2	Glass Panel, ANSI 30°	Smoked	
19	DAA434HC3	Glass Panel, ANSI 30°	Green	
20	DAA434HC4	Glass Panel, ANSI 30°	Bronze	
21	DAA434HC5	Glass Panel, ANSI 30°	Clear	Balustrade Heights 1000 m  3 Flat Steps
22	DAA434HC6	Glass Panel, ANSI 30°	Smoked	
23	DAA434HC7	Glass Panel, ANSI 30°	Green	
24	DAA434HC8	Glass Panel, ANSI 30°	Bronze	

**57-DAA26228BY**

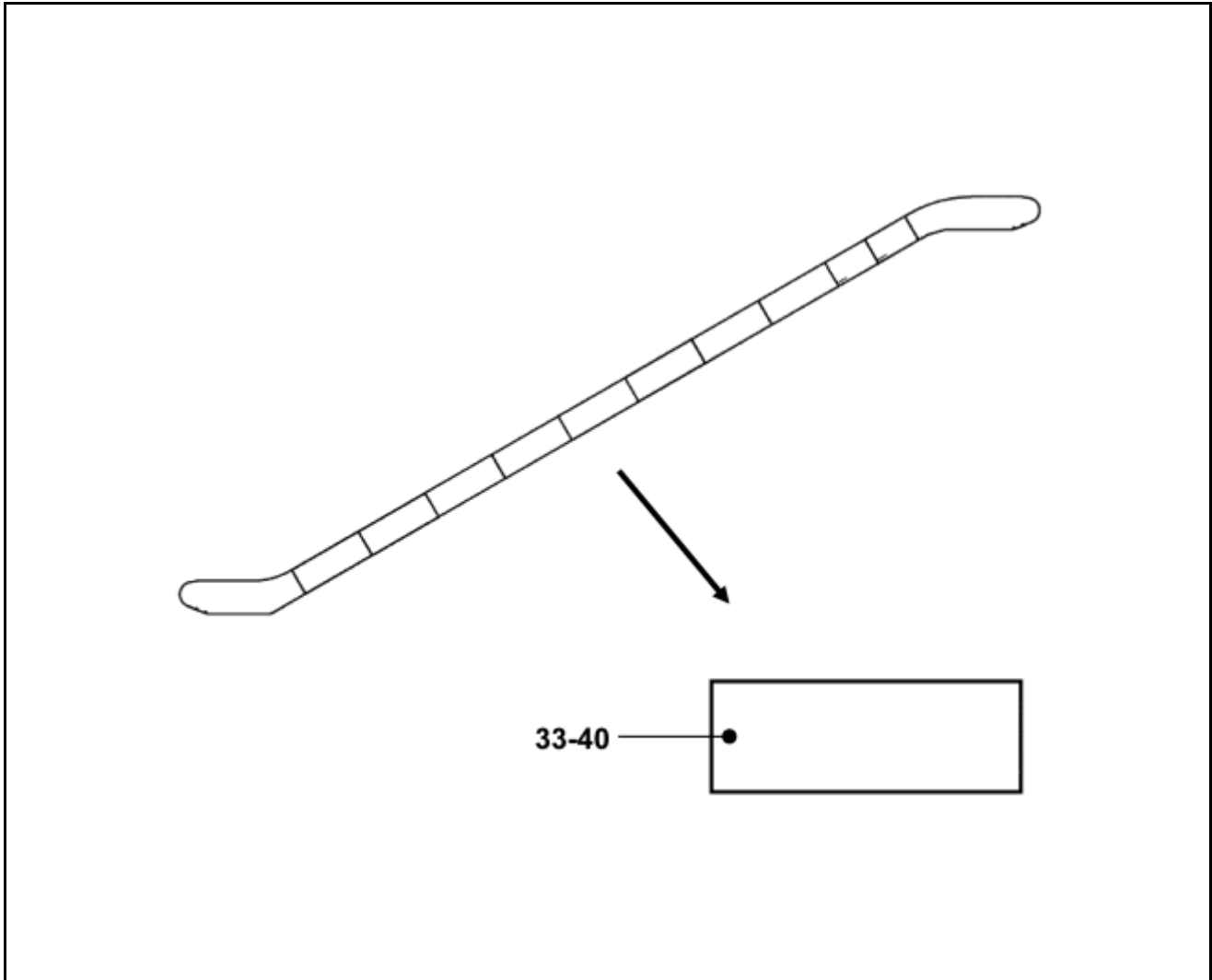
**w/o Illumination, for Roller Newel,  
Perpendicular to Floor Line,  
Upper Landing**



<b>DAA26228BY</b>				
<b>REF. No.</b>	<b>PART No.</b>	<b>DESCRIPTION</b>		
25	DAA434HD1	Glass Panel, ANSI 30°	Clear	Balustrade Heights 1000 m  2 Flat Steps
26	DAA434HD2	Glass Panel, ANSI 30°	Smoked	
27	DAA434HD3	Glass Panel, ANSI 30°	Green	
28	DAA434HD4	Glass Panel, ANSI 30°	Bronze	
29	DAA434HD5	Glass Panel, ANSI 30°	Clear	Balustrade Heights 1000 m  3 Flat Steps
30	DAA434HD6	Glass Panel, ANSI 30°	Smoked	
31	DAA434HD7	Glass Panel, ANSI 30°	Green	
32	DAA434HD8	Glass Panel, ANSI 30°	Bronze	

**w/o Illumination, Glass Joints  
Perpendicular to Step Nose Line  
Inclined Section**

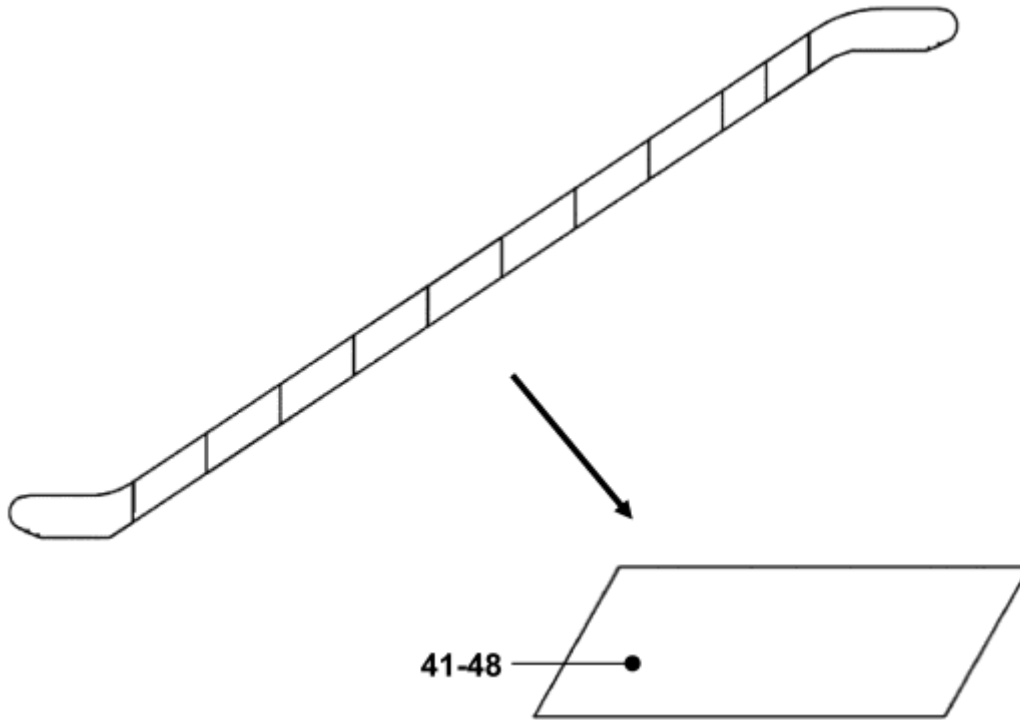
**57-DAA26228BY**



<b>DAA26228BY</b>					
<b>REF. No.</b>	<b>PART No.</b>	<b>DESCRIPTION</b>			
33	DAA434CB5	Glass Panel, ANSI 30°	Clear	Length = 2000 mm	Balustrade Heights 1000 mm
34	DAA434CB6	Glass Panel, ANSI 30°	Smoked		
35	DAA434CB7	Glass Panel, ANSI 30°	Green		
36	DAA434CB8	Glass Panel, ANSI 30°	Bronze		
37	DAA434CB-V5	Glass Panel, ANSI 30°	Clear	Per Spec.	
38	DAA434CB-V6	Glass Panel, ANSI 30°	Smoked		
39	DAA434CB-V7	Glass Panel, ANSI 30°	Green		
40	DAA434CB-V8	Glass Panel, ANSI 30°	Bronze		

**57-DAA26228BY**

**w/o Illumination, Glass Joints  
Perpendicular to Floor Plate  
Inclined Section**

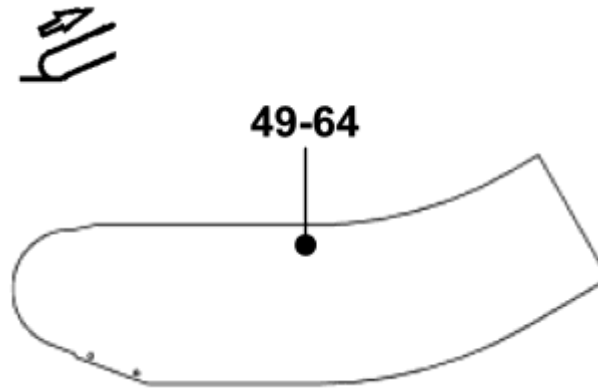


<b>DAA26228BY</b>					
<b>REF. No.</b>	<b>PART No.</b>	<b>DESCRIPTION</b>			
41	DAA434CA9	Glass Panel, ANSI 30°	Clear	Length = 1732 mm	Balustrade Heights 1000 mm
42	DAA434CA10	Glass Panel, ANSI 30°	Smoked		
43	DAA434CA11	Glass Panel, ANSI 30°	Green		
44	DAA434CA12	Glass Panel, ANSI 30°	Bronze		
45	DAA434CA-V9	Glass Panel, ANSI 30°	Clear	Per Spec.	
46	DAA434CA-V10	Glass Panel, ANSI 30°	Smoked		
47	DAA434CA-V11	Glass Panel, ANSI 30°	Green		
48	DAA434CA-V12	Glass Panel, ANSI 30°	Bronze		



**w/Illumination, for Roller Newel,  
Perpendicular to Step Nose Line,  
Lower Landing**

**57-DAA26228BY**

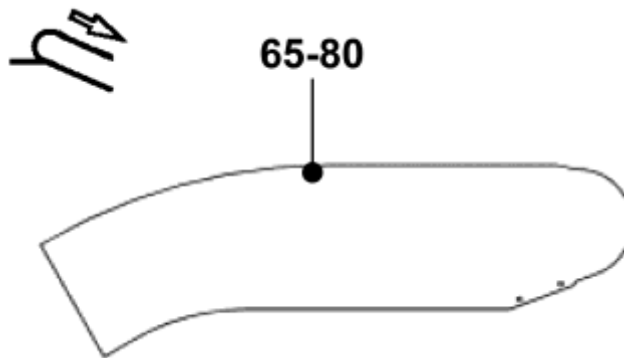


**DAA26228BY**

<b>REF. No.</b>	<b>PART No.</b>	<b>DESCRIPTION</b>			
49	DAA434HE1	Glass Panel, ANSI 30°	Clear	Left Side	Balustrade Heights 1000 m  2 Flat Steps
50	DAA434HE2	Glass Panel, ANSI 30°	Clear	Right Side	
51	DAA434HE3	Glass Panel, ANSI 30°	Smoked	Left Side	
52	DAA434HE4	Glass Panel, ANSI 30°	Smoked	Right Side	
53	DAA434HE5	Glass Panel, ANSI 30°	Green	Left Side	
54	DAA434HE6	Glass Panel, ANSI 30°	Green	Right Side	
55	DAA434HE7	Glass Panel, ANSI 30°	Bronze	Left Side	
56	DAA434HE8	Glass Panel, ANSI 30°	Bronze	Right Side	
57	DAA434HE9	Glass Panel, ANSI 30°	Clear	Left Side	Balustrade Heights 1000 m  3 Flat Steps
58	DAA434HE10	Glass Panel, ANSI 30°	Clear	Right Side	
59	DAA434HE11	Glass Panel, ANSI 30°	Smoked	Left Side	
60	DAA434HE12	Glass Panel, ANSI 30°	Smoked	Right Side	
61	DAA434HE13	Glass Panel, ANSI 30°	Green	Left Side	
62	DAA434HE14	Glass Panel, ANSI 30°	Green	Right Side	
63	DAA434HE15	Glass Panel, ANSI 30°	Bronze	Left Side	
64	DAA434HE16	Glass Panel, ANSI 30°	Bronze	Right Side	

**57-DAA26228BY**

**w/Illumination, for Roller Newel,  
Perpendicular to Step Nose Line,  
Upper Landing**

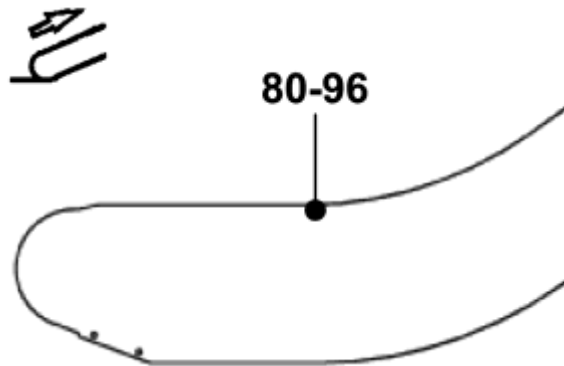


**DAA26228BY**

<b>REF. No.</b>	<b>PART No.</b>	<b>DESCRIPTION</b>			
65	DAA434HF1	Glass Panel, ANSI 30°	Clear	Left Side	Balustrade Heights 1000 m  2 Flat Steps
66	DAA434HF2	Glass Panel, ANSI 30°	Clear	Right Side	
67	DAA434HF3	Glass Panel, ANSI 30°	Smoked	Left Side	
68	DAA434HF4	Glass Panel, ANSI 30°	Smoked	Right Side	
69	DAA434HF5	Glass Panel, ANSI 30°	Green	Left Side	
70	DAA434HF6	Glass Panel, ANSI 30°	Green	Right Side	
71	DAA434HF7	Glass Panel, ANSI 30°	Bronze	Left Side	
72	DAA434HF8	Glass Panel, ANSI 30°	Bronze	Right Side	
73	DAA434HF9	Glass Panel, ANSI 30°	Clear	Left Side	Balustrade Heights 1000 m  3 Flat Steps
74	DAA434HF10	Glass Panel, ANSI 30°	Clear	Right Side	
75	DAA434HF11	Glass Panel, ANSI 30°	Smoked	Left Side	
76	DAA434HF12	Glass Panel, ANSI 30°	Smoked	Right Side	
77	DAA434HF13	Glass Panel, ANSI 30°	Green	Left Side	
78	DAA434HF14	Glass Panel, ANSI 30°	Green	Right Side	
79	DAA434HF15	Glass Panel, ANSI 30°	Bronze	Left Side	
80	DAA434HF16	Glass Panel, ANSI 30°	Bronze	Right Side	

**w/Illumination, for Roller Newel,  
Perpendicular to Floor Line,  
Lower Landing**

**57-DAA26228BY**

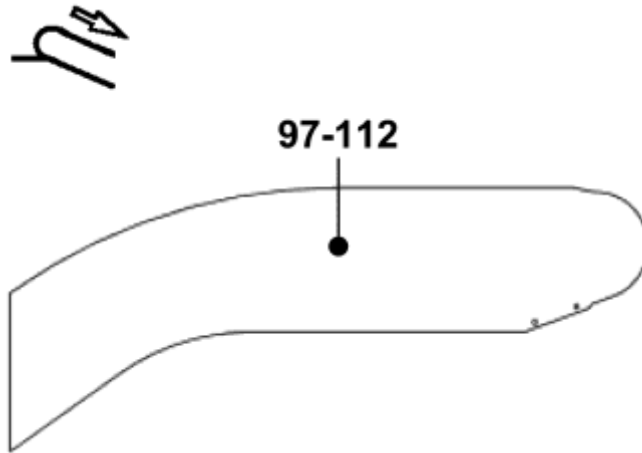


**DAA26228BY**

<b>REF. No.</b>	<b>PART No.</b>	<b>DESCRIPTION</b>			
81	DAA434HG1	Glass Panel, ANSI 30°	Clear	Left Side	Balustrade Heights 1000 m  2 Flat Steps
82	DAA434HG2	Glass Panel, ANSI 30°	Clear	Right Side	
83	DAA434HG3	Glass Panel, ANSI 30°	Smoked	Left Side	
84	DAA434HG4	Glass Panel, ANSI 30°	Smoked	Right Side	
85	DAA434HG5	Glass Panel, ANSI 30°	Green	Left Side	
86	DAA434HG6	Glass Panel, ANSI 30°	Green	Right Side	
87	DAA434HG7	Glass Panel, ANSI 30°	Bronze	Left Side	
88	DAA434HG8	Glass Panel, ANSI 30°	Bronze	Right Side	
89	DAA434HG9	Glass Panel, ANSI 30°	Clear	Left Side	Balustrade Heights 1000 m  3 Flat Steps
90	DAA434HG10	Glass Panel, ANSI 30°	Clear	Right Side	
91	DAA434HG11	Glass Panel, ANSI 30°	Smoked	Left Side	
92	DAA434HG12	Glass Panel, ANSI 30°	Smoked	Right Side	
93	DAA434HG13	Glass Panel, ANSI 30°	Green	Left Side	
94	DAA434HG14	Glass Panel, ANSI 30°	Green	Right Side	
95	DAA434HG15	Glass Panel, ANSI 30°	Bronze	Left Side	
96	DAA434HG16	Glass Panel, ANSI 30°	Bronze	Right Side	

**57-DAA26228BY**

**w/Illumination, for Roller Newel,  
Perpendicular to Floor Line,  
Upper Landing**

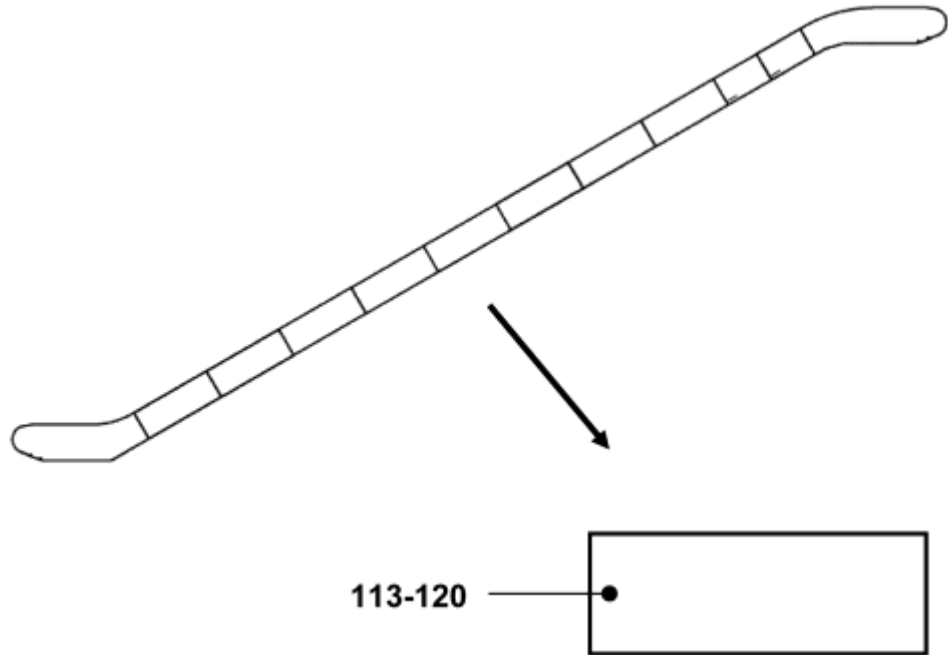


**DAA26228BY**

<b>REF. No.</b>	<b>PART No.</b>	<b>DESCRIPTION</b>			
97	DAA434HH1	Glass Panel, ANSI 30°	Clear	Left Side	Balustrade Heights 1000 m  2 Flat Steps
98	DAA434HH2	Glass Panel, ANSI 30°	Clear	Right Side	
99	DAA434HH3	Glass Panel, ANSI 30°	Smoked	Left Side	
100	DAA434HH4	Glass Panel, ANSI 30°	Smoked	Right Side	
101	DAA434HH5	Glass Panel, ANSI 30°	Green	Left Side	
102	DAA434HH6	Glass Panel, ANSI 30°	Green	Right Side	
103	DAA434HH7	Glass Panel, ANSI 30°	Bronze	Left Side	
104	DAA434HH8	Glass Panel, ANSI 30°	Bronze	Right Side	
105	DAA434HH9	Glass Panel, ANSI 30°	Clear	Left Side	Balustrade Heights 1000 m  3 Flat Steps
106	DAA434HH10	Glass Panel, ANSI 30°	Clear	Right Side	
107	DAA434HH11	Glass Panel, ANSI 30°	Smoked	Left Side	
102	DAA434HH12	Glass Panel, ANSI 30°	Smoked	Right Side	
109	DAA434HH13	Glass Panel, ANSI 30°	Green	Left Side	
110	DAA434HH14	Glass Panel, ANSI 30°	Green	Right Side	
111	DAA434HH15	Glass Panel, ANSI 30°	Bronze	Left Side	
112	DAA434HH16	Glass Panel, ANSI 30°	Bronze	Right Side	

# w/Illumination, Glass Joints Perpendicular to Step Nose Line

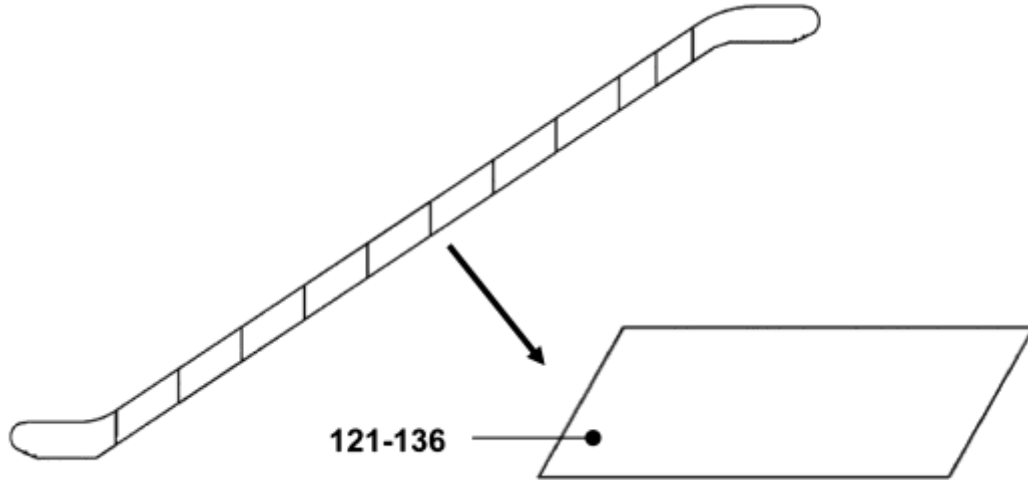
**57-DAA26228BY**



<b>DAA26228BY</b>						
<b>REF. No.</b>	<b>PART No.</b>	<b>DESCRIPTION</b>				
113	DAA434DT5	Glass Panel, ANSI 30°	Clear	Length = 2000 mm	Balustrade Heights 1000 mm	
114	DAA434DT6	Glass Panel, ANSI 30°	Smoked			
115	DAA434DT7	Glass Panel, ANSI 30°	Green			
116	DAA434DT8	Glass Panel, ANSI 30°	Bronze			
117	DAA434DT-V5	Glass Panel, ANSI 30°	Clear	Per Spec.		
118	DAA434DT-V6	Glass Panel, ANSI 30°	Smoked			
119	DAA434DT-V7	Glass Panel, ANSI 30°	Green			
120	DAA434DT-V8	Glass Panel, ANSI 30°	Bronze			

**57-DAA26228BY**

**w/Illumination, Glass Joints  
Perpendicular to Floor Plate**

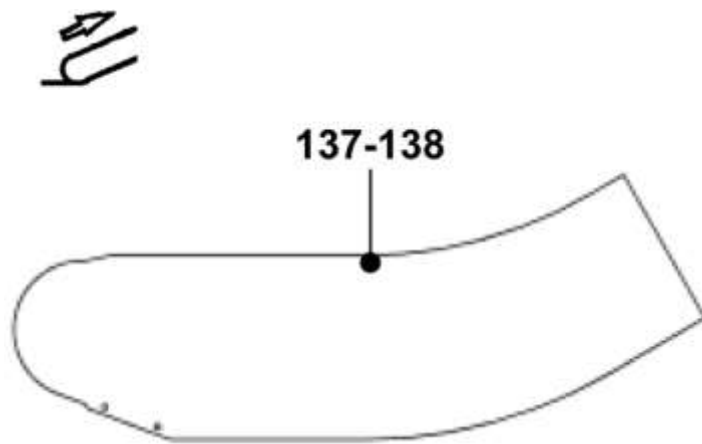


**DAA26228BY**

REF. No.	PART No.	DESCRIPTION				
121	DAA434DS17	Glass Panel, ANSI 30°	Clear	Left Side	Length = 1732 mm	Balustrade Heights 1000 mm
122	DAA434DS18	Glass Panel, ANSI 30°	Clear	Right Side		
123	DAA434DS19	Glass Panel, ANSI 30°	Smoked	Left Side		
124	DAA434DS20	Glass Panel, ANSI 30°	Smoked	Right Side		
125	DAA434DS21	Glass Panel, ANSI 30°	Green	Left Side		
126	DAA434DS22	Glass Panel, ANSI 30°	Green	Right Side		
127	DAA434DS23	Glass Panel, ANSI 30°	Bronze	Left Side		
128	DAA434DS24	Glass Panel, ANSI 30°	Bronze	Right Side		
129	DAA434DS-V17	Glass Panel, ANSI 30°	Clear	Left Side	Per Spec.	
130	DAA434DS-V18	Glass Panel, ANSI 30°	Clear	Right Side		
131	DAA434DS-V19	Glass Panel, ANSI 30°	Smoked	Left Side		
132	DAA434DS-V20	Glass Panel, ANSI 30°	Smoked	Right Side		
133	DAA434DS-V21	Glass Panel, ANSI 30°	Green	Left Side		
134	DAA434DS-V22	Glass Panel, ANSI 30°	Green	Right Side		
135	DAA434DS-V23	Glass Panel, ANSI 30°	Bronze	Left Side		
136	DAA434DS-V24	Glass Panel, ANSI 30°	Bronze	Right Side		

**w/o Illumination, for Roller Newel,  
Perpendicular to Step Nose Line,  
Lower Landing**

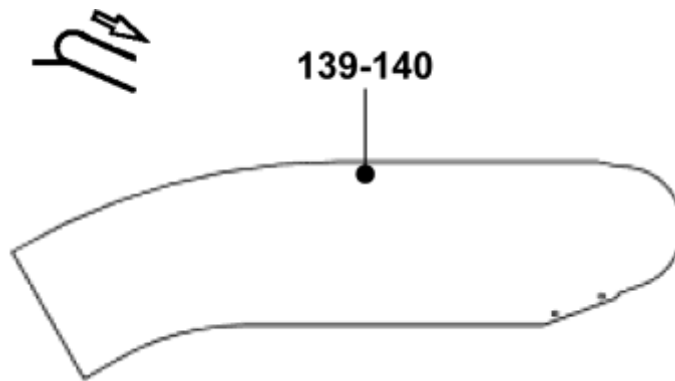
**57-DAA26228BY**



<b>DAA26228BY</b>		
<b>REF. No.</b>	<b>PART No.</b>	<b>DESCRIPTION</b>
137	DAA434HJ1	Stainless Steel Interior Panel, G2, ANSI 30°, Balustrade Heights = 1000 mm, 2 Flat Steps
138	DAA434HJ2	Stainless Steel Interior Panel, G2, ANSI 30°, Balustrade Heights = 1000 mm, 3 Flat Steps

**57-DAA26228BY**

**w/o Illumination, for Roller Newel,  
Perpendicular to Step Nose Line,  
Upper Landing**

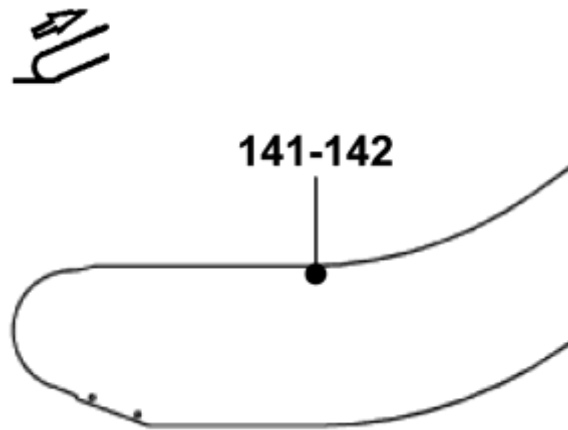


<b>REF. No.</b>	<b>PART No.</b>	<b>DESCRIPTION</b>
139	DAA434HK1	Stainless Steel Interior Panel, G2, ANSI 30°, Balustrade Heights = 1000 mm, 2 Flat Steps
140	DAA434HK2	Stainless Steel Interior Panel, G2, ANSI 30°, Balustrade Heights = 1000 mm, 3 Flat Steps



**w/o Illumination, for Roller Newel,  
Perpendicular to Floor Line,  
Lower Landing**

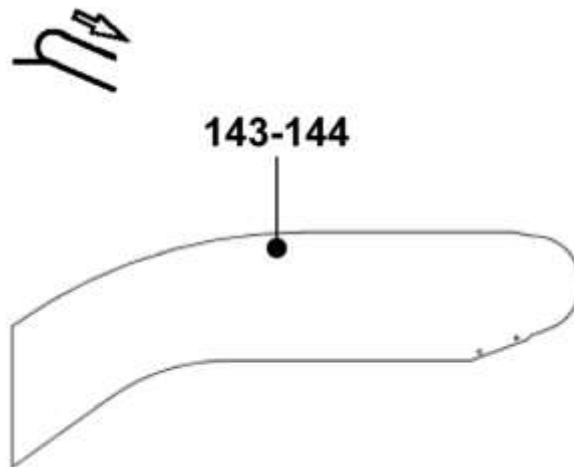
**57-DAA26228BY**



<b>DAA26228BY</b>		
<b>REF. No.</b>	<b>PART No.</b>	<b>DESCRIPTION</b>
141	DAA434HL1	Stainless Steel Interior Panel, G2, ANSI 30°, Balustrade Heights = 1000 mm, 2 Flat Steps
142	DAA434HL2	Stainless Steel Interior Panel, G2, ANSI 30°, Balustrade Heights = 1000 mm, 3 Flat Steps

**57-DAA26228BY**

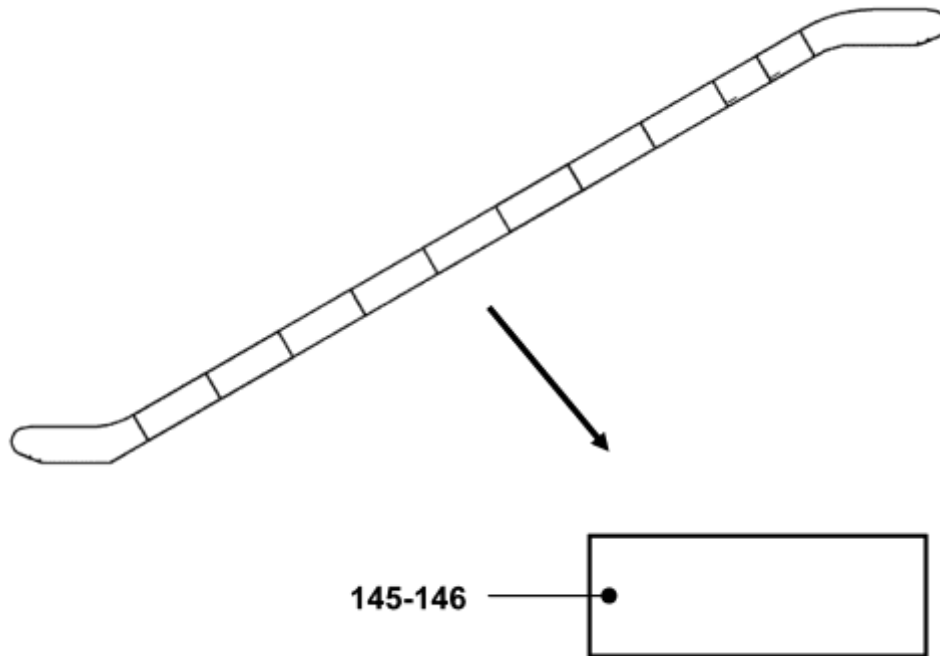
**w/o Illumination, for Roller Newel,  
Perpendicular to Floor Line,  
Upper Landing**



<b>DAA26228BY</b>		
<b>REF. No.</b>	<b>PART No.</b>	<b>DESCRIPTION</b>
143	DAA434HM1	Stainless Steel Interior Panel, G2, ANSI 30°, Balustrade Heights = 1000 mm, 2 Flat Steps
144	DAA434HM2	Stainless Steel Interior Panel, G2, ANSI 30°, Balustrade Heights = 1000 mm, 3 Flat Steps

**w/o Illumination, Glass Joints  
Perpendicular to Step Nose Line**

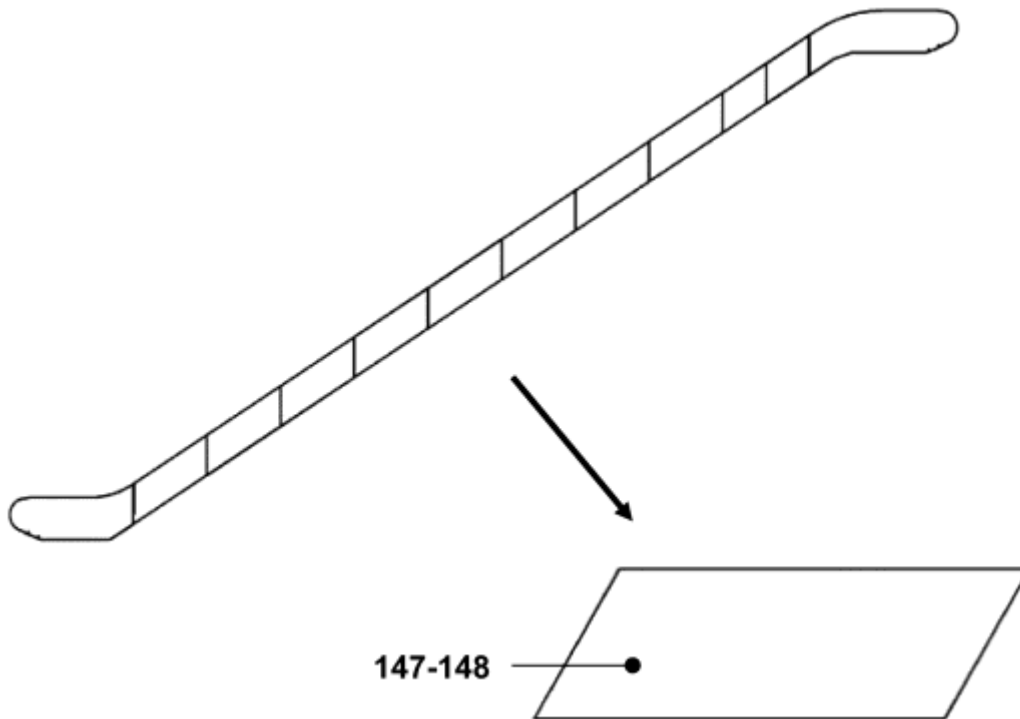
**57-DAA26228BY**



<b>DAA26228BY</b>		
<b>REF. No.</b>	<b>PART No.</b>	<b>DESCRIPTION</b>
145	DAA434GY1	Stainless Steel Interior Panel, G2, ANSI 30°, Balustrade Heights = 1000 mm, Length = 2000 mm
146	DAA434GY-V1	Stainless Steel Interior Panel, G2, ANSI 30°, Balustrade Heights = 1000 mm, Per Spec.

**57-DAA26228BY**

**w/o Illumination, Glass Joints  
Perpendicular to Step Nose Line**



<b>REF. No.</b>	<b>DAA26228BY</b> <b>PART No.</b>	<b>DESCRIPTION</b>
147	DAA434GZ1	Stainless Steel Interior Panel, G2, ANSI 30°, Balustrade Heights = 1000 mm, Length = 1732 mm
148	DAA434GZ-V1	Stainless Steel Interior Panel, G2, ANSI 30°, Balustrade Heights = 1000 mm, Per Spec.