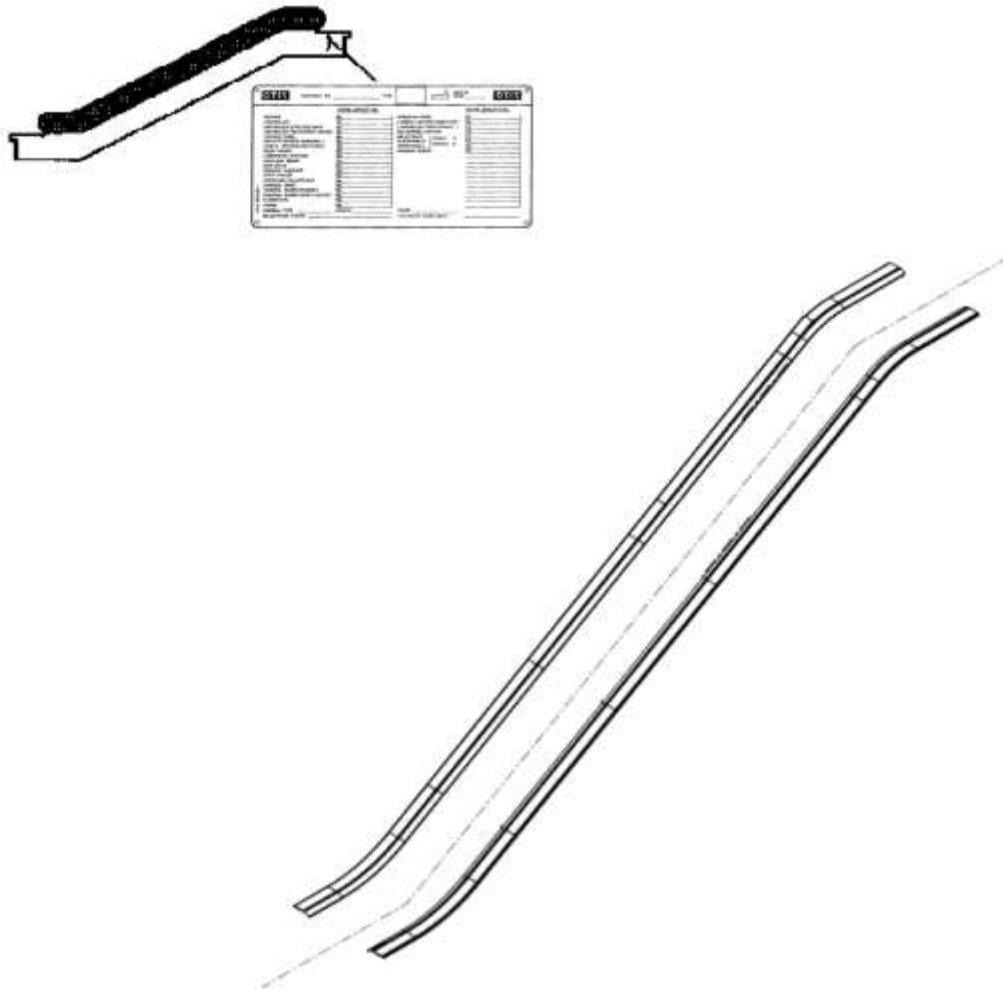


512NCE ANSI Escalator Inner Decking

Spare Parts Leaflet

57-DAA26228BZ

December 30, 2009 / Page 1 of 13



Unpublished Work—© Otis Elevator Co.; 2009

OTIS

Safety First!

ESCALATOR ENGINEERING
Otis Elevator Company
SIT Guangzhou

Leaflet Description

Glass balustrade inner decking (w/o skirt panel lighting) for 512NCE ANSI escalators.

Leaflet Revisions

Date Revised	Subject Matter Expert	Reason for Revision
May 8, 2009	Li, Biao	Release
December 30, 2009	Li, Biao	--Add "w/o skirt panel lighting" on pages 3-10, delete "w/o key switch", "with key switch" on pages 3-10, add ref. number 61-63 on page 11 (CAD6A-000866) --Add page 12-13 (CAD6A-000989)

Related Drawings

Drawing No.	Title	Drawing No.	Title
DAA26228BZ	Glass Balustrade Inner Decking		

Related Documents

Document ID	Title
ODS DAA27076ES	Glass Balustrade Inner Decking

Subject Matter Expert

Name	Department
Li, Biao	SIT Guangzhou

About Spare Parts Leaflets...

This document lists the lowest replaceable units (LRUs) for the standard version of the product. The LRUs are chosen by a team of Otis associates representing engineering and manufacturing.

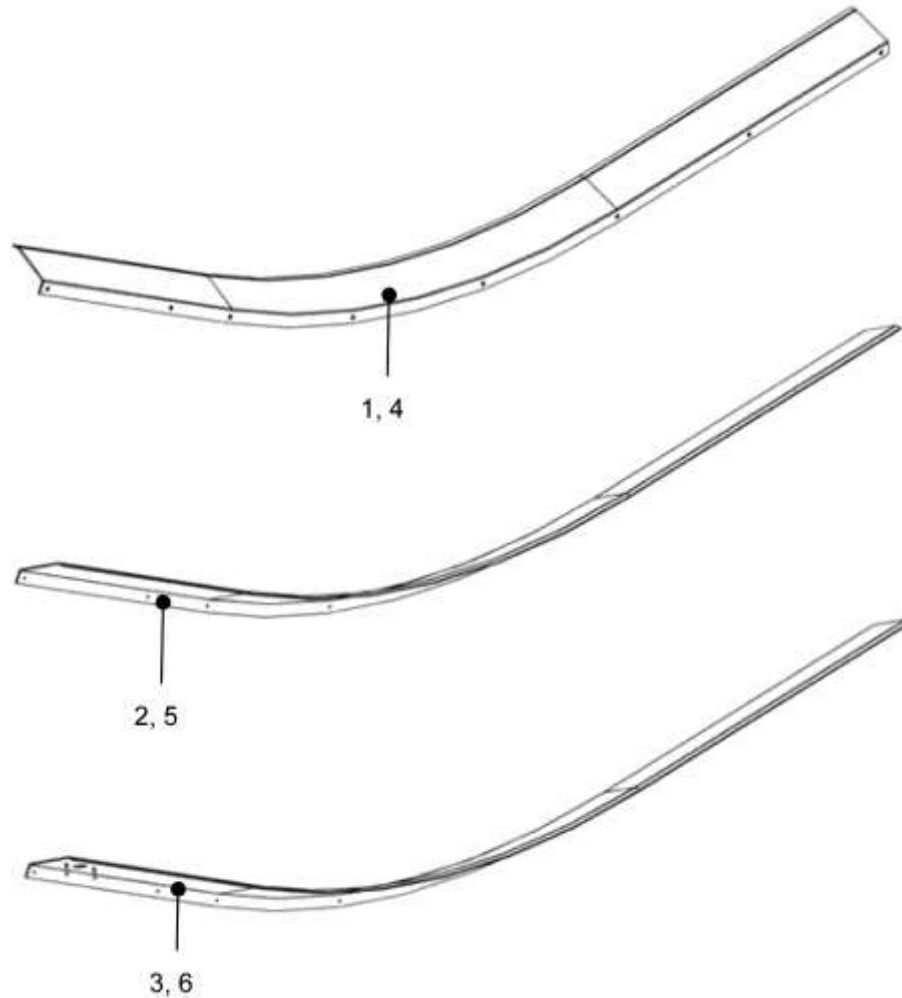
While goal of this document is to make parts identification as easy as possible, the document cannot be all-inclusive. Elevator and escalator contracts classified as "special" or "custom" are not addressed here. For such contracts, please refer to specified information, the contract folder, TIPs, Field Education Articles, Construction Letters, etc. for further information.

If you have any suggestions about this document, please contact the subject matter expert listed on this page.

30° Inner Decking, Indoor, Lower Landing

57-DAA26228BZ

**FOR 30° ALUMINUM POWDER COATED INNER DECKING W/O SKIRT PANEL LIGHTING
INDOOR ONLY
LL=LOWER LANDING**

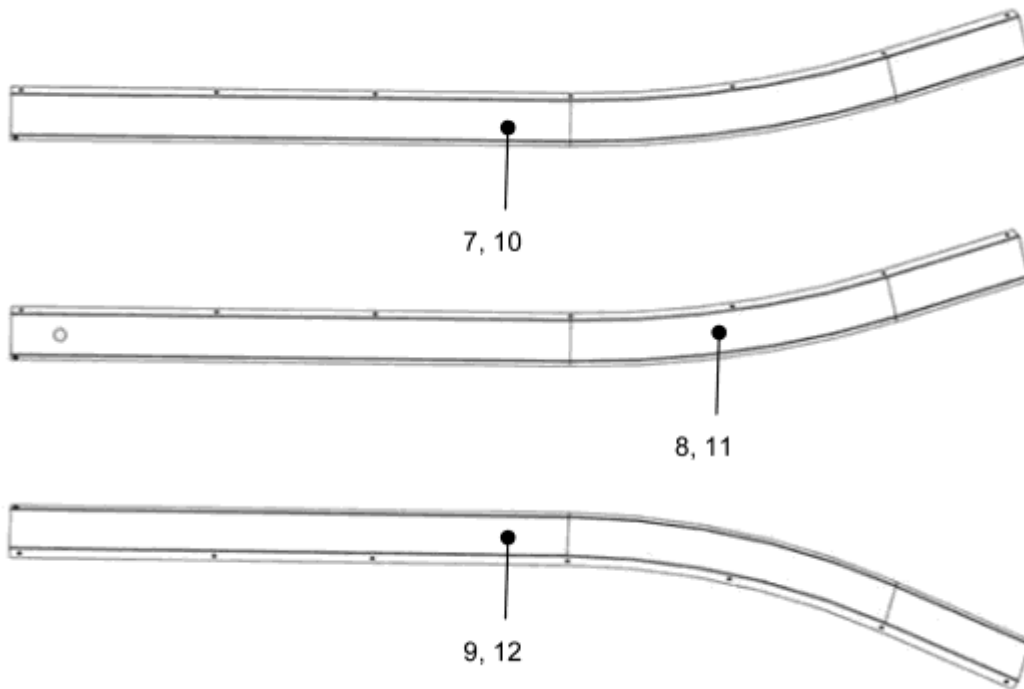


DAA26228BZ			
REF. No.	PART No.	DESCRIPTION	
1	DAA402JS1	ANSI, Aluminum Powder Coated, left side, LL	2 Flat Steps
2	DAA402JS2	ANSI W/ NY, Aluminum powder Coated, right side, LL	
3	DAA402JS3	ANSI W/O NY, Aluminum Powder Coated, right side, LL	
4	DAA402JS4	ANSI, Aluminum Powder Coated, left side, LL	3 Flat Steps
5	DAA402JS5	ANSI W/ NY, Aluminum powder Coated, right side, LL	
6	DAA402JS6	ANSI W/O NY, Aluminum Powder Coated, right side, LL	

57-DAA26228BZ

30° Inner Decking, Indoor, Upper Landing

**FOR 30° ALUMINUM POWDER COATED INNER DECKING W/O SKIRT PANEL LIGHTING
INDOOR ONLY
UL=UPPER LANDING**

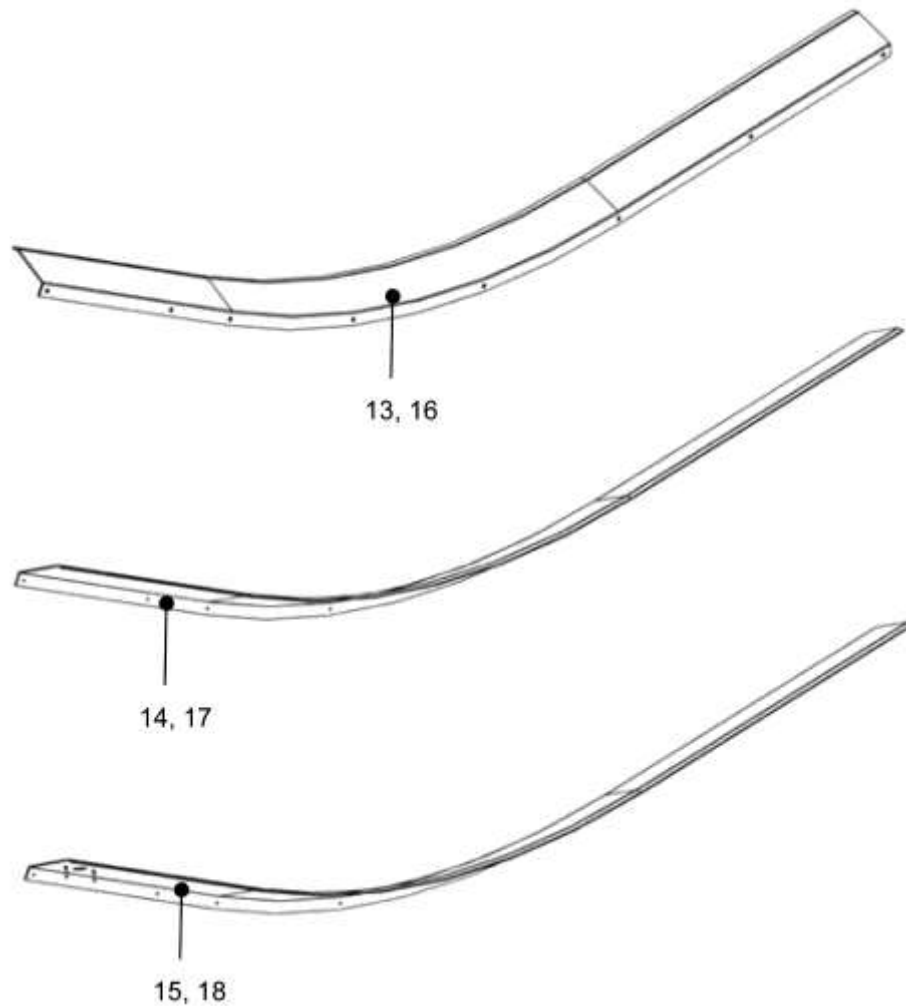


DAA26228BZ			
REF. No.	PART No.	DESCRIPTION	
7	DAA402JR1	ANSI W/ NY , aluminum powder coated, left side, UL	2 Flat Steps
8	DAA402JR2	ANSI W/O NY, Aluminum Powder Coated, left side, UL	
9	DAA402JR3	ANSI, Aluminum Powder Coated, right side, UL	
10	DAA402JR4	ANSI W/ NY , aluminum powder coated, left side, UL	3 Flat Steps
11	DAA402JR5	ANSI W/O NY, Aluminum Powder Coated, left side, UL	
12	DAA402JR6	ANSI, Aluminum Powder Coated, right side, UL	

30° Inner Decking, Aluminum F07 Lower Landing

57-DAA26228BZ

**FOR 30° ALUMINUM F07 INNER DECKING W/O SKIRT PANEL LIGHTING
LL=LOWER LANDING**

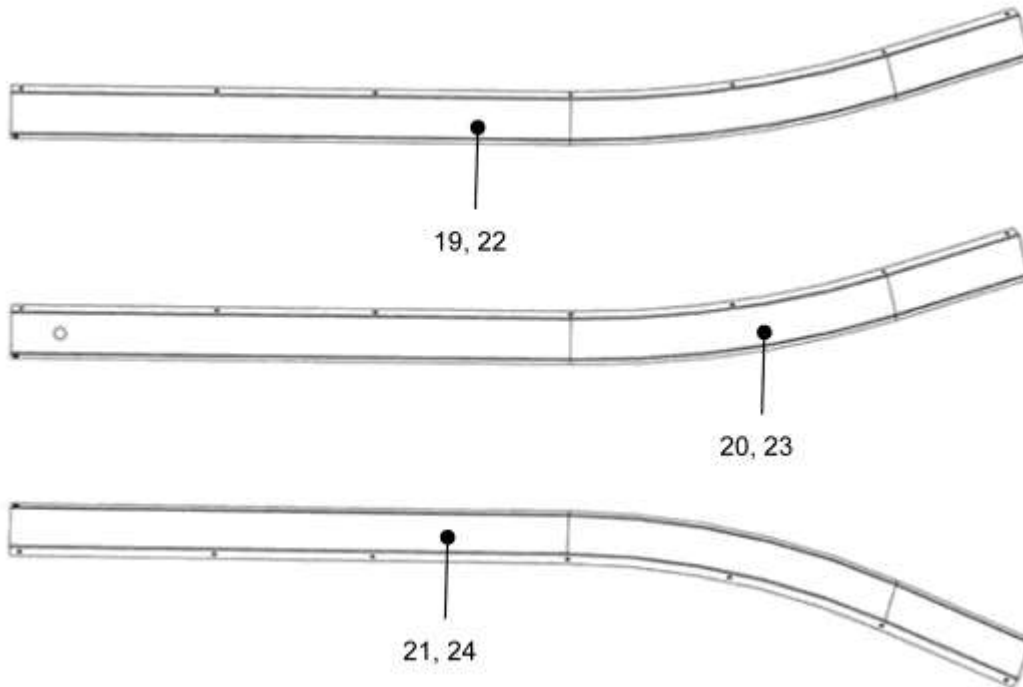


DAA26228BZ			
REF. No.	PART No.	DESCRIPTION	
13	DAA402JS7	ANSI, Aluminum FO7, leftside, LL	2 Flat Steps
14	DAA402JS8	ANSI W/ NY , aluminum FO7, right side, LL	
15	DAA402JS9	ANSI W/O NY, Aluminum FO7, right side, LL	
16	DAA402JS10	ANSI, Aluminum FO7, leftside, LL	3 Flat Steps
17	DAA402JS11	ANSI W/ NY , aluminum FO7, right side, LL	
18	DAA402JS12	ANSI W/O NY, Aluminum FO7, right side, LL	

57-DAA26228BZ

30° Inner Decking, Aluminum F07 Upper Landing

**FOR 30° ALUMINUM F07 INNER DECKING W/O SKIRT PANEL LIGHTING
UL=UPPER LANDING**

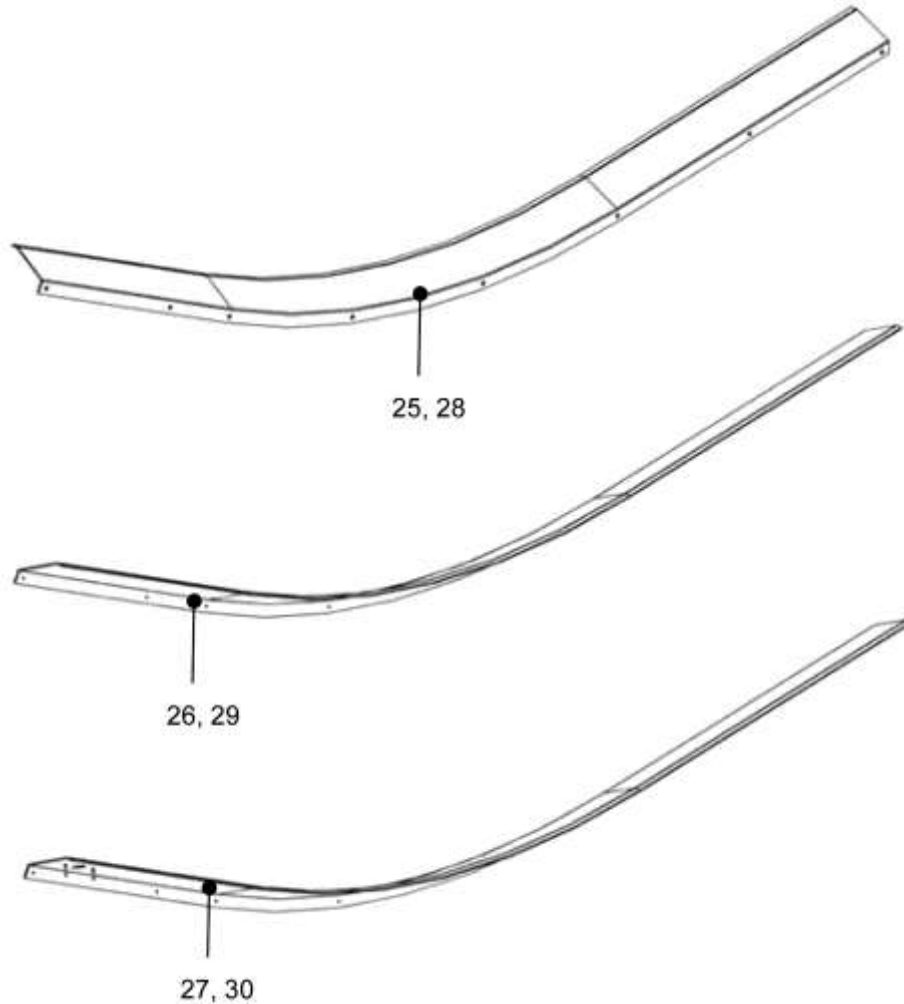


DAA26228BZ			
REF. No.	PART No.	DESCRIPTION	
19	DAA402JR7	ANSI W/ NY , aluminum F07, left side, UL	2 Flat Steps
20	DAA402JR8	ANSI W/O NY, Aluminum F07, left side, UL	
21	DAA402JR9	ANSI, Aluminum F07, right side, UL	
22	DAA402JR10	ANSI W/ NY , aluminum F07, left side, UL	3 Flat Steps
23	DAA402JR11	ANSI W/O NY, Aluminum F07, left side, UL	
24	DAA402JR12	ANSI, Aluminum F07, right side, UL	

30° Inner Decking, Aluminum FO10 Lower Landing

57-DAA26228BZ

**FOR 30° ALUMINUM FO10 INNER DECKING W/O SKIRT PANEL LIGHTING
LL=LOWER LANDING**

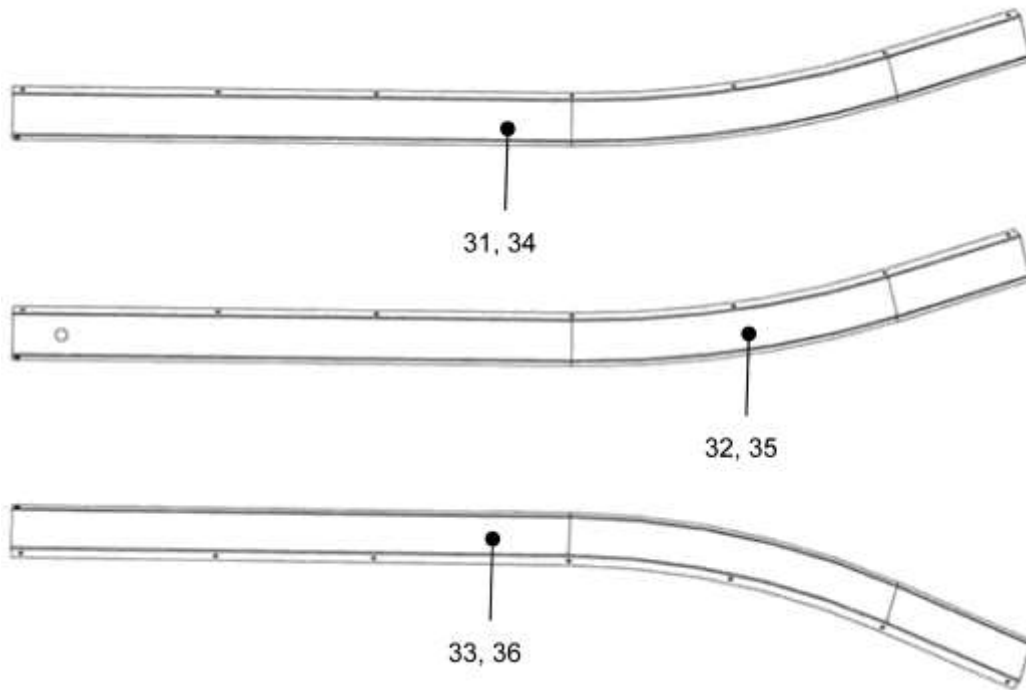


DAA26228BZ			
REF. No.	PART No.	DESCRIPTION	
25	DAA402JS13	ANSI, Aluminum FO10, left side, LL	2 Flat Steps
26	DAA402JS14	ANSI W/ NY , aluminum FO10, right side, LL	
27	DAA402JS15	ANSI W/O NY, Aluminum FO10, right side, LL	
28	DAA402JS16	ANSI, Aluminum FO10, left side, LL	3 Flat Steps
29	DAA402JS17	ANSI W/ NY , aluminum FO10, right side, LL	
30	DAA402JS18	ANSI W/O NY, Aluminum FO10, right side, LL	

57-DAA26228BZ

30° Inner Decking, Aluminum F010 Upper Landing

**FOR 30° ALUMINUM FO10 INNER DECKING W/O SKIRT PANEL LIGHTING
UL=UPPER LANDING**

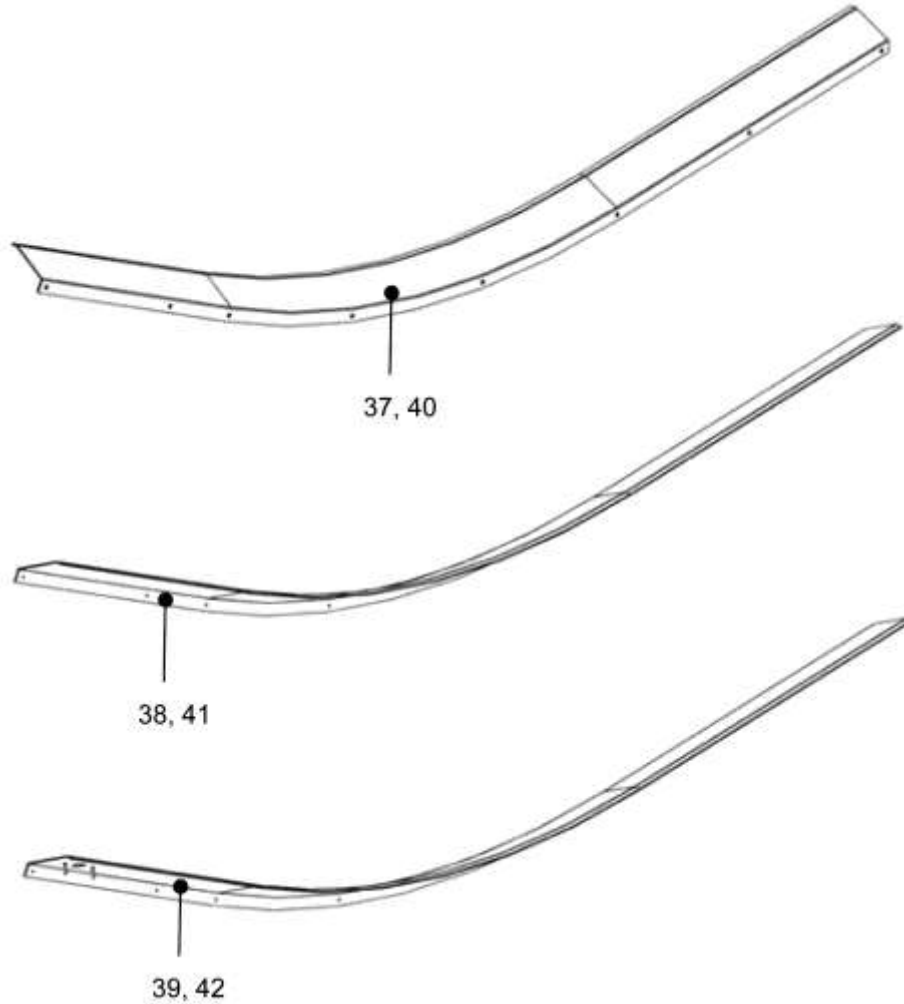


DAA26228BZ			
REF. No.	PART No.	DESCRIPTION	
31	DAA402JR13	ANSI W/ NY , aluminum FO10, left side, UL	2 Flat Steps
32	DAA402JR14	ANSI W/O NY, Aluminum FO10, left side, UL	
33	DAA402JR15	ANSI, Aluminum FO10, right side, UL	
34	DAA402JR16	ANSI W/ NY , aluminum FO10, left side, UL	3 Flat Steps
35	DAA402JR17	ANSI W/O NY, Aluminum FO10, left side, UL	
36	DAA402JR18	ANSI, Aluminum FO10, right side, UL	

30° Inner Decking, Stainless Steel Lower Landing

57-DAA26228BZ

**FOR 30° STAINLESS STEEL INNER DECKING W/O SKIRT PANEL LIGHTING
LL=LOWER LANDING**

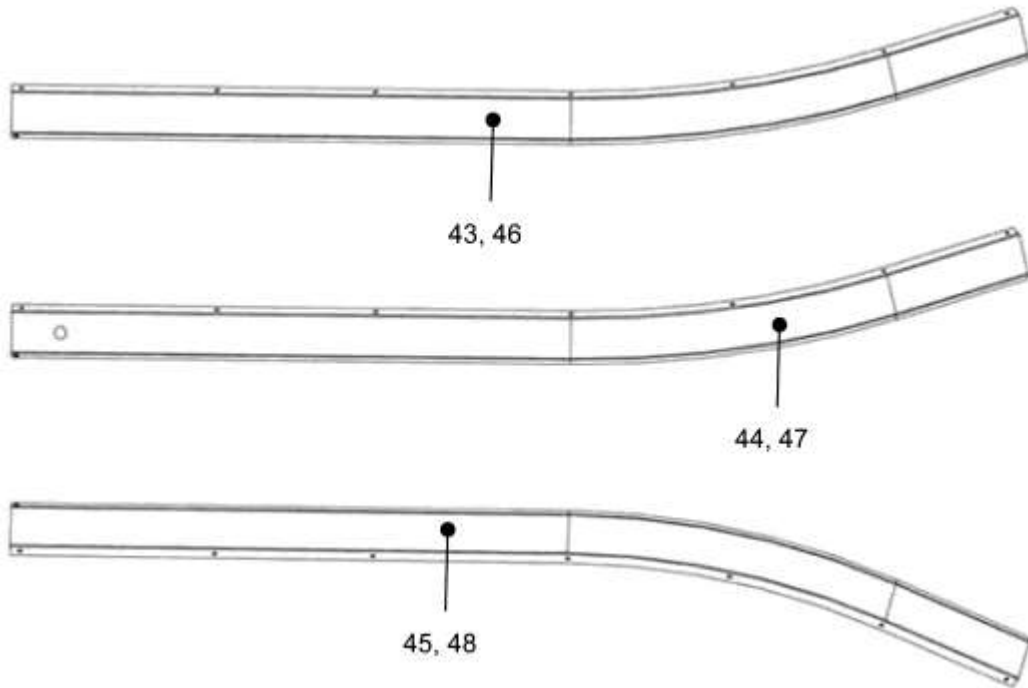


DAA26228BZ			
REF. No.	PART No.	DESCRIPTION	
37	DAA402JS19	ANSI ST. ST. G2, left side, LL	2 Flat Steps
38	DAA402JS20	ANSI W/ NY , ST. ST. G2, right side, LL	
39	DAA402JS21	ANSI W/O NY, ST. ST. G2, right side, LL	
40	DAA402JS22	ANSI ST. ST. G2, left side, LL	3 Flat Steps
41	DAA402JS23	ANSI W/ NY , ST. ST. G2, right side, LL	
42	DAA402JS24	ANSI W/O NY, ST. ST. G2, right side, LL	

57-DAA26228BZ

**30° Inner Decking, Stainless Steel
Upper Landing**

**FOR 30° STAINLESS STEEL INNER DECKING W/O SKIRT PANEL LIGHTING
UL=UPPER LANDING**



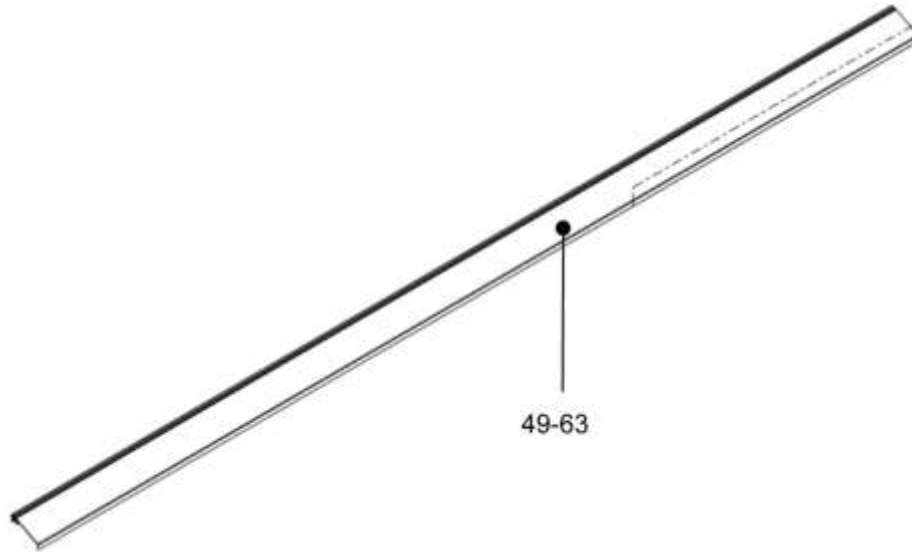
DAA26228BZ

REF. No.	PART No.	DESCRIPTION	
43	DAA402JR19	ANSI W/ NY , ST. ST. G2, leftside, UL	2 Flat Steps
44	DAA402JR20	ANSI W/O NY, ST. ST. G2, leftside, UL	
45	DAA402JR21	ANSI ST. ST. G2, rightside, UL	
46	DAA402JR22	ANSI W/ NY , ST. ST. G2, leftside, UL	3 Flat Steps
47	DAA402JR23	ANSI W/O NY, ST. ST. G2, leftside, UL	
48	DAA402JR24	ANSI ST. ST. G2, rightside, UL	

30° Inner Decking, Inclined Section

57-DAA26228BZ

**Inclination degree: 30°
INNER DECKING**

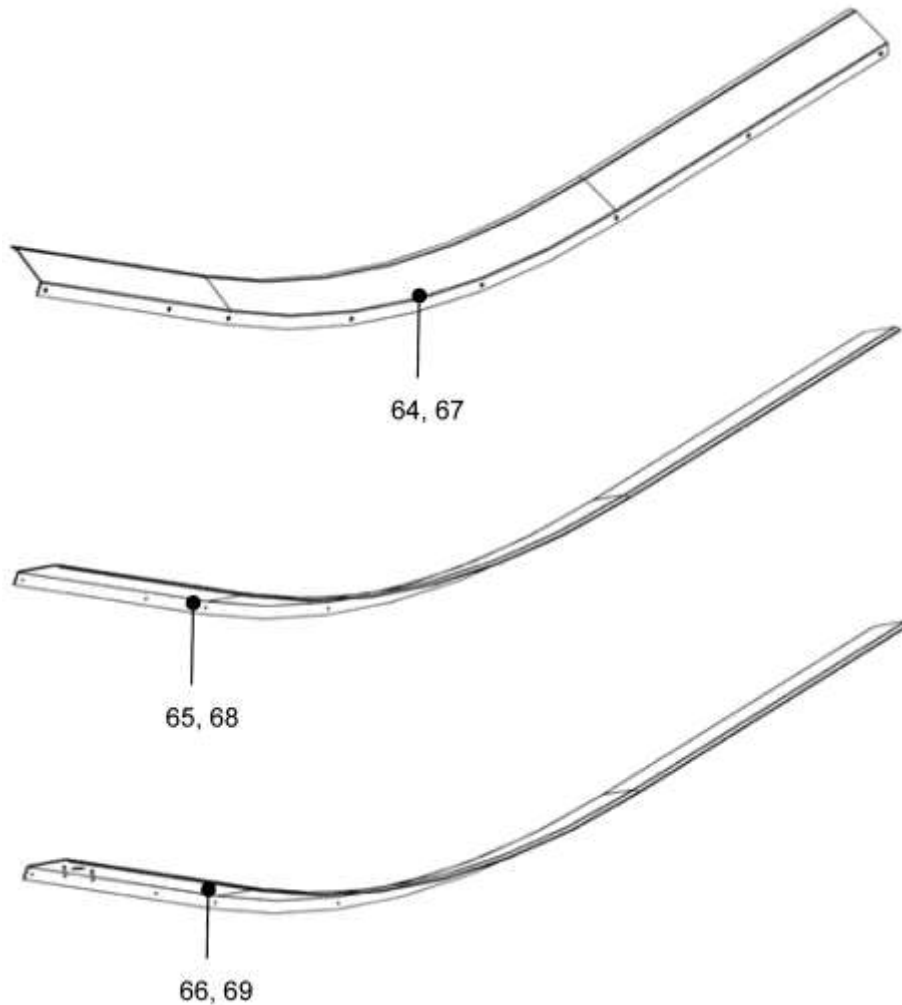


DAA26228BZ			
REF. No.	PART No.	DESCRIPTION	
49	DAA402BH1	Inclined section, const. Length, L=2960 mm	ST.ST G2
50	DAA402BH3	Inclined section, const. Length, L=1960 mm	
51	DAA402BH_V2	Inclined section, var. Length, Per. Spec.	
52	DAA402BH13	Inclined section, const. Length, L=2960 mm	ALUMINUM POWDER COATING INDOOR ONLY
53	DAA402BH15	Inclined section, const. Length, L=1960 mm	
54	DAA402BH_V10	Inclined section, var. Length, Per. Spec.	
55	DAA402BH16	Inclined section, const. Length, L=2960 mm	ALUMINUM FO7
56	DAA402BH18	Inclined section, const. Length, L=1960 mm	
57	DAA402BH_V12	Inclined section, var. Length, Per. Spec.	
58	DAA402BH19	Inclined section, const. Length, L=2960 mm	ALUMINUM FO10
59	DAA402BH21	Inclined section, const. Length, L=1960 mm	
60	DAA402BH_V14	Inclined section, var. Length, Per. Spec.	
61	DAA402BH33	Inclined section, const. Length, L=2960 mm	BRONZE HAIRLINE 240#
62	DAA402BH35	Inclined section, const. Length, L=1960 mm	
63	DAA402BH_V18	Inclined section, var. Length, Per. Spec.	

57-DAA26228BZ

30° Inner Decking, Bronze Hairline 240#, Lower Landing

**FOR 30° BRONZE HAIRLINE 240# INNER DECKING W/O SKIRT PANEL LIGHTING
LL=LOWER LANDING**

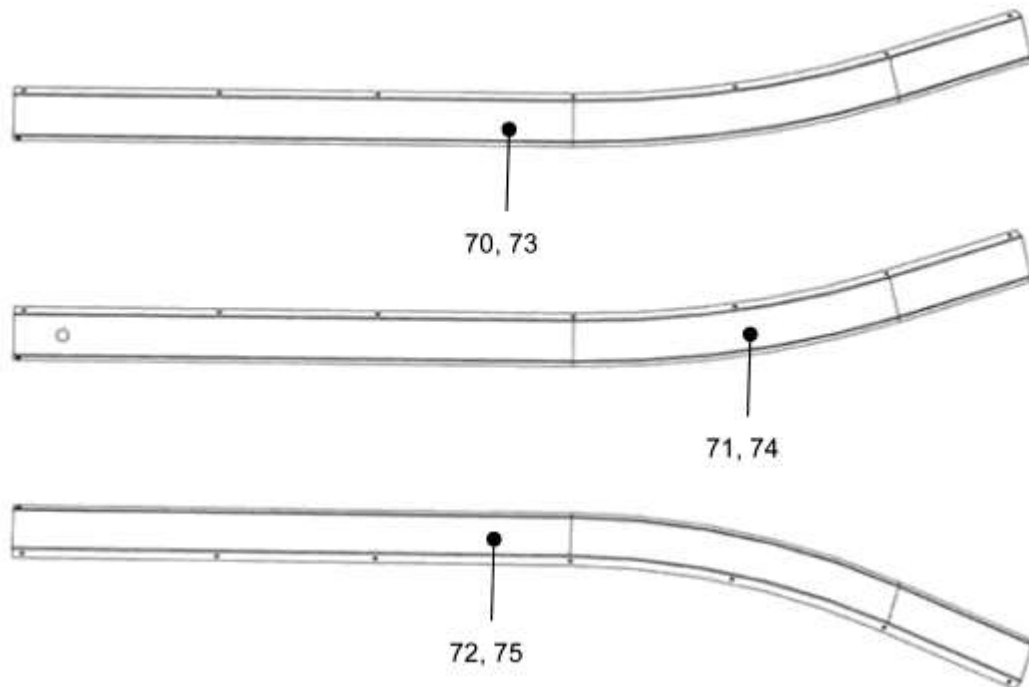


DAA26228BZ			
REF. No.	PART No.	DESCRIPTION	
64	DAA402JS25	ANSI, left side, LL	2 Flat Steps
65	DAA402JS26	ANSI W/ NY , right side, LL	
66	DAA402JS27	ANSI W/O NY, right side, LL	
67	DAA402JS28	ANSI, left side, LL	3 Flat Steps
68	DAA402JS29	ANSI W/ NY , right side, LL	
69	DAA402JS30	ANSI W/O NY, right side, LL	

30° Inner Decking, Bronze Hairline 240#, Upper Landing

57-DAA26228BZ

**FOR 30° BRONZE HAIRLINE 240# INNER DECKING W/O SKIRT PANEL LIGHTING
UL = UPPER LANDING**



DAA26228BZ			
REF. No.	PART No.	DESCRIPTION	
70	DAA402JR25	ANSI W/ NY , aluminum FO10, left side, UL	2 Flat Steps
71	DAA402JR26	ANSI W/O NY, Aluminum FO10, left side, UL	
72	DAA402JR27	ANSI, Aluminum FO10, right side, UL	
73	DAA402JR28	ANSI W/ NY , aluminum FO10, left side, UL	3 Flat Steps
74	DAA402JR29	ANSI W/O NY, Aluminum FO10, left side, UL	
75	DAA402JR30	ANSI, Aluminum FO10, right side, UL	