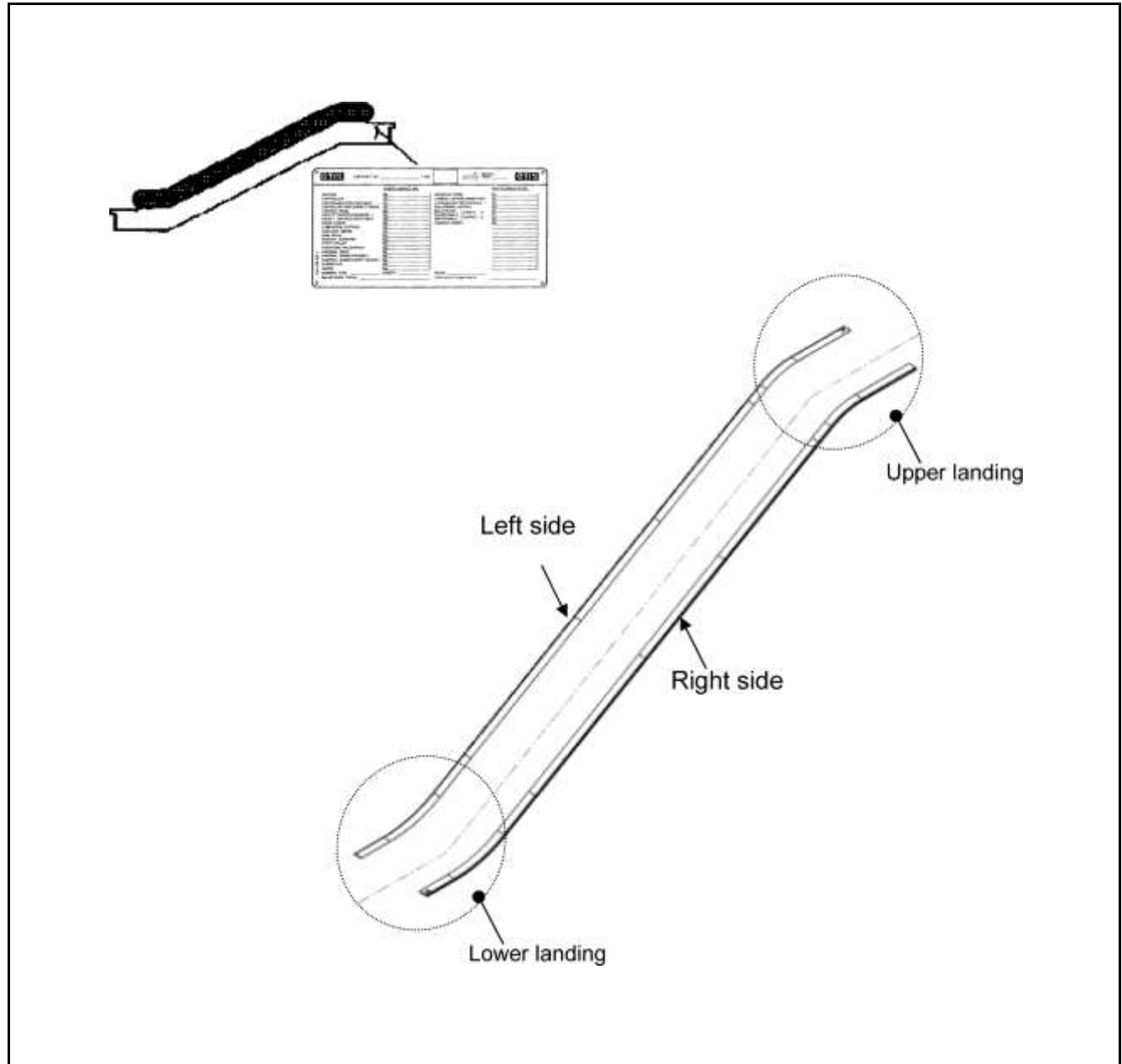


512NCE Escalator Glass Balustrade Outer Decking

Spare Parts Leaflet

57-DAA26228CA

December 30, 2009 / Page 1 of 27



Unpublished Work—© Otis Elevator Co.; 2009

OTIS

Safety First!

ESCALATOR ENGINEERING
Otis Elevator Company
SIT GUANGZHOU

Leaflet Description

Glass Balustrade Outer Decking for 512NCE ANSI Escalator

Leaflet Revisions

Date Revised	Subject Matter Expert	Reason for Revision
Ma 13, 2009	Bill Li	Release
December 30, 2009	Bill Li	Add page 23–27 (CAD6A-000989); Correct typing error “outer profile decking” to “outer decking” on page 3–22

Related Drawings

Drawing No.	Title	Drawing No.	Title
DAA26228CA	Glass Balustrade Outer Decking		

Related Documents

Document ID	Title
ODS DAA27076ET	Glass Balustrade Outer Decking

Subject Matter Expert

Name	Department
Bill Li	SIT GUANGZHOU

About Spare Parts Leaflets...

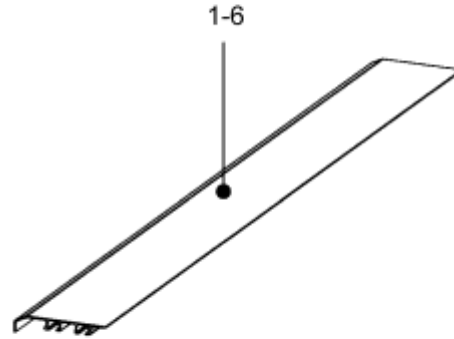
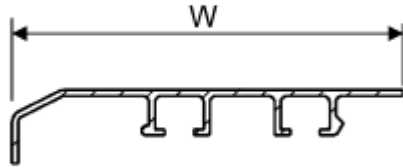
This document lists the lowest replaceable units (LRUs) for the standard version of the product. The LRUs are chosen by a team of Otis associates representing engineering and manufacturing.

While goal of this document is to make parts identification as easy as possible, the document cannot be all-inclusive. Elevator and escalator contracts classified as “special” or “custom” are not addressed here. For such contracts, please refer to specified information, the contract folder, TIPs, Field Education Articles, Construction Letters, etc. for further information.

If you have any suggestions about this document, please contact the subject matter expert listed on this page.

Glass Balustrade Outer Decking

For Alum Outer Decking

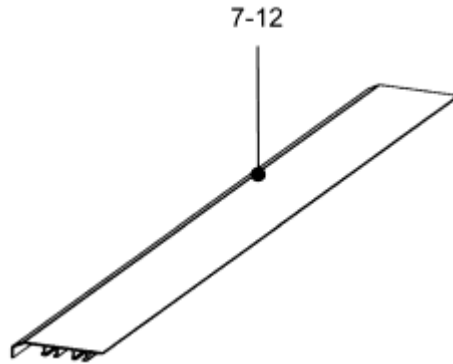
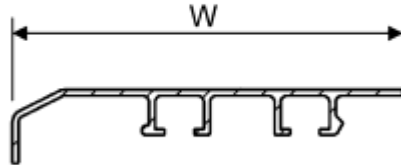


IN DOOR ONLY

DAA26228CA			
REF. No.	PART No.	DESCRIPTION	
1	DAA402DZ1	Inclined Section, Aluminum Powder Coated, Const. Length, L = 2960 mm	Standard Profile W = 160
2	DAA402DZ3	Inclined Section, Aluminum Powder Coated, Const. Length, L = 1960 mm	
3	DAA402DZ_V2	Inclined Section, Aluminum Powder Coated, Var. Length (per Spec)	
4	DAA402DZ4	Inclined Section, Aluminum Powder Coated, Const. Length, L = 2960 mm	Broadened Profile W = 161~185
5	DAA402DZ6	Inclined Section, Aluminum Powder Coated, Const. Length, L = 1960 mm	
6	DAA402DZ_V4	Inclined Section, Aluminum Powder Coated, Var. Length (per Spec)	

Glass Balustrade Outer Decking

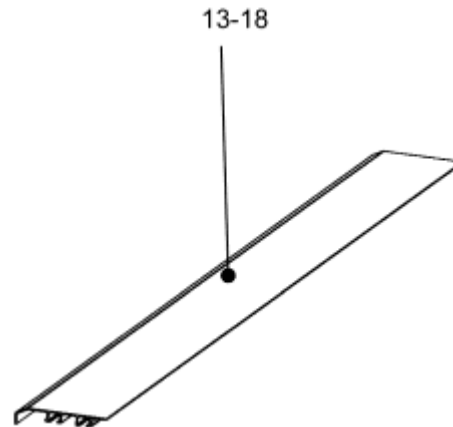
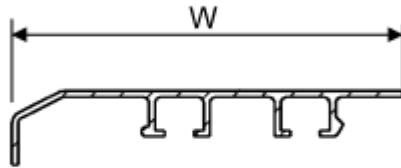
For Alum Outer Decking



DAA26228CA			
REF. No.	PART No.	DESCRIPTION	
7	DAA402DZ7	Inclined Section, Aluminum FO7, Const. Length, L = 2960 mm	Standard Profile W = 160
8	DAA402DZ9	Inclined Section, Aluminum FO7, Const. Length, L = 1960 mm	
9	DAA402DZ_V6	Inclined Section, Aluminum FO7, Var. Length (per Spec)	
10	DAA402DZ10	Inclined Section, Aluminum FO7, Const. Length, L = 2960 mm	Broadened Profile W = 161~185
11	DAA402DZ12	Inclined Section, Aluminum FO7, Const. Length, L = 1960 mm	
12	DAA402DZ_V8	Inclined Section, Aluminum FO7, Var. Length (per Spec)	

Glass Balustrade Outer Decking

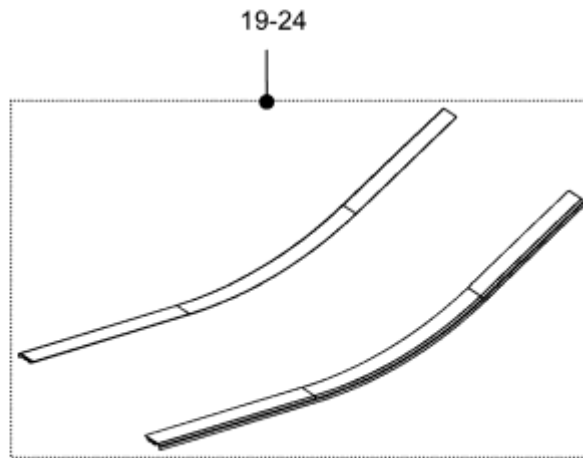
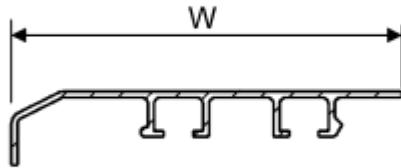
For Alum Outer Decking



DAA26228CA			
REF. No.	PART No.	DESCRIPTION	
13	DAA402DZ13	Inclined Section, Aluminum FO10, Const. Length, L = 2960 mm	Standard Profile W = 160
14	DAA402DZ15	Inclined Section, Aluminum FO10, Const. Length, L = 1960 mm	
15	DAA402DZ_V10	Inclined Section, Aluminum FO10, Var. Length (per Spec)	
16	DAA402DZ16	Inclined Section, Aluminum FO10, Const. Length, L = 2960 mm	Broadened Profile W = 161~185
17	DAA402DZ18	Inclined Section, Aluminum FO10, Const. Length, L = 1960 mm	
18	DAA402DZ_V12	Inclined Section, Aluminum FO10, Var. Length (per Spec)	

Glass Balustrade Outer Decking

- For Alum Outer Decking - Standard Profile
- Inclination degree: 30°



IN DOOR ONLY

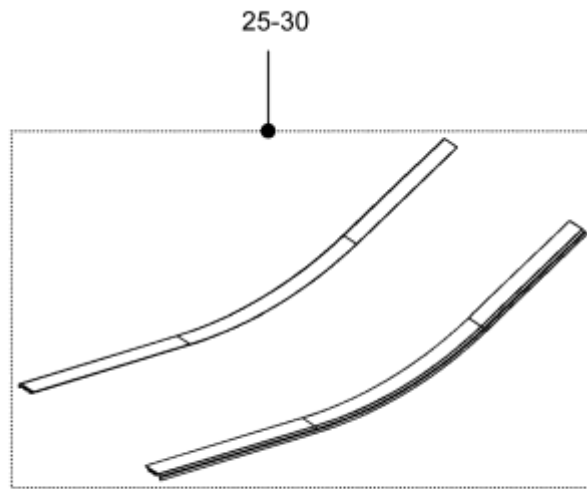
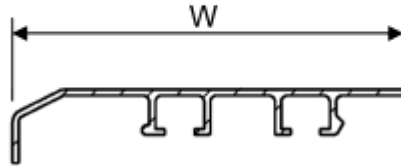
LOWER LANDING = LL

DAA26228CA

REF. No.	PART No.	DESCRIPTION	
19	DAA402JW1	W = 160, w/o Traffic Flow Light, Aluminum Powder Coated, Left Side, LL	2 Flat Steps
20	DAA402JW2	W = 160, w/o Traffic Flow Light, Aluminum Powder Coated, Right Side, LL	
21	DAA402JW3	W = 160, w/o Traffic Flow Light, Aluminum Powder Coated, Left Side, LL	3 Flat Steps
22	DAA402JW4	W = 160, w/o Traffic Flow Light, Aluminum Powder Coated, Right Side, LL	
23	DAA402JW65	W = 160, w/ Traffic Flow Light, Aluminum Powder Coated, Left Side, LL	2 Flat Steps
24	DAA402JW67	W = 160, w/ Traffic Flow Light, Aluminum Powder Coated, Left Side, LL	3 Flat Steps

Glass Balustrade Outer Decking

- For Alum Outer Decking - Broadened Profile
- Inclination degree: 30°



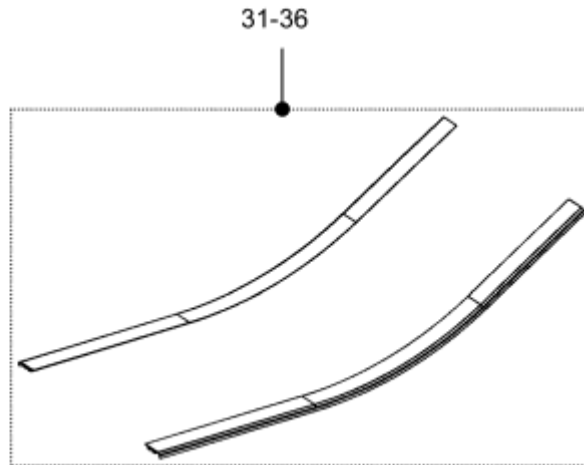
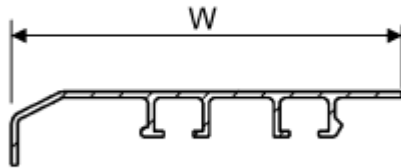
IN DOOR ONLY

LOWER LANDING = LL

DAA26228CA			
REF. No.	PART No.	DESCRIPTION	
25	DAA402JW5	W = 161~185, w/o Traffic Flow Light, Aluminum Powder Coated, Left Side, LL	2 Flat Steps
26	DAA402JW6	W = 161~185, w/o Traffic Flow Light, Aluminum Powder Coated, Right Side, LL	
27	DAA402JW7	W = 161~185, w/o Traffic Flow Light, Aluminum Powder Coated, Left Side, LL	3 Flat Steps
28	DAA402JW8	W = 161~185, w/o Traffic Flow Light, Aluminum Powder Coated, Right Side, LL	
29	DAA402JW69	W = 161~185, w/ Traffic Flow Light, Aluminum Powder Coated, Left Side, LL	2 Flat Steps
30	DAA402JW71	W = 161~185, w/ Traffic Flow Light, Aluminum Powder Coated, Left Side, LL	3 Flat Steps

Glass Balustrade Outer Decking

- For Alum Outer Decking - Standard Profile
- Inclination degree: 30°



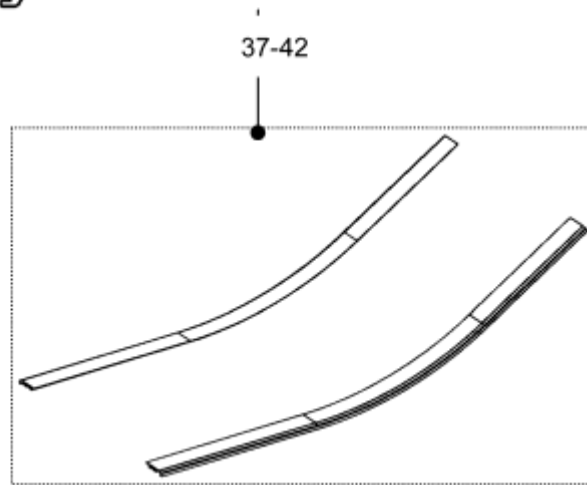
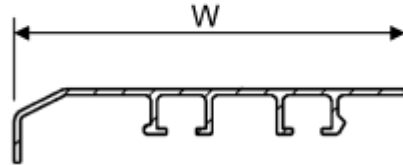
DAA26228CA

LOWER LANDING = LL

REF. No.	PART No.	DESCRIPTION
31	DAA402JW9	W = 160, w/o Traffic Flow Light, Aluminum FO7, Left Side, LL
32	DAA402JW10	W = 160, w/o Traffic Flow Light, Aluminum FO7, Right Side, LL
33	DAA402JW11	W = 160, w/o Traffic Flow Light, Aluminum FO7, Left Side, LL
34	DAA402JW12	W = 160, w/o Traffic Flow Light, Aluminum FO7, Right Side, LL
35	DAA402JW49	W = 160, w/ Traffic Flow Light, Aluminum FO7, Left Side, LL
36	DAA402JW51	W = 160, w/ Traffic Flow Light, Aluminum FO7, Left Side, LL

Glass Balustrade Outer Decking

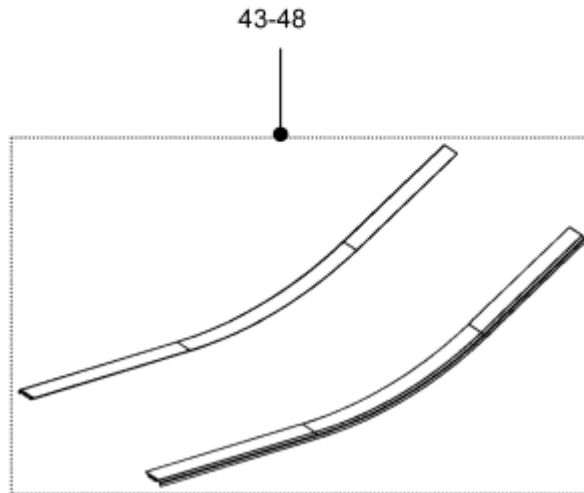
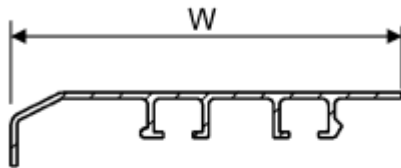
- For Alum Outer Decking - Broadened Profile
- Inclination degree: 30°



DAA26228CA		LOWER LANDING = LL	
REF. No.	PART No.	DESCRIPTION	
37	DAA402JW13	W = 161~185, w/o Traffic Flow Light, Aluminum FO7, Left Side, LL	2 Flat Steps
38	DAA402JW14	W = 161~185, w/o Traffic Flow Light, Aluminum FO7, Right Side, LL	
39	DAA402JW15	W = 161~185, w/o Traffic Flow Light, Aluminum FO7, Left Side, LL	3 Flat Steps
40	DAA402JW16	W = 161~185, w/o Traffic Flow Light, Aluminum FO7, Right Side, LL	
41	DAA402JW53	W = 161~185, w/ Traffic Flow Light, Aluminum FO7, Left Side, LL	2 Flat Steps
42	DAA402JW55	W = 161~185, w/ Traffic Flow Light, Aluminum FO7, Left Side, LL	3 Flat Steps

Glass Balustrade Outer Decking

- For Alum Outer Decking - Standard Profile
- Inclination degree: 30°



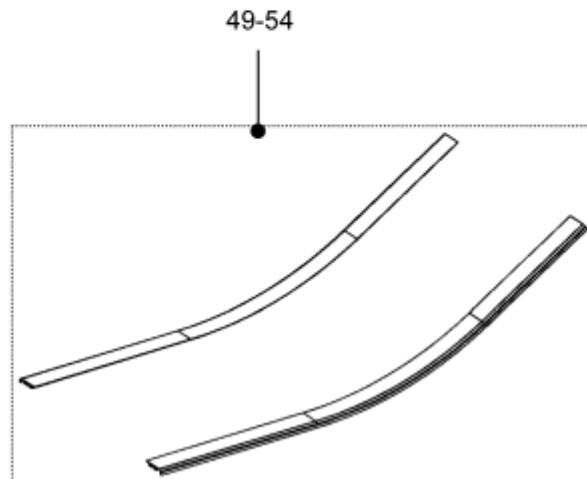
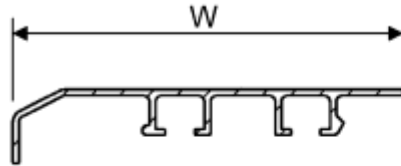
DAA26228CA

LOWER LANDING = LL

REF. No.	PART No.	DESCRIPTION
43	DAA402JW17	W = 160, w/o Traffic Flow Light, Aluminum FO10, Left Side, LL 2 Flat Steps
44	DAA402JW18	W = 160, w/o Traffic Flow Light, Aluminum FO10, Right Side, LL 2 Flat Steps
45	DAA402JW19	W = 160, w/o Traffic Flow Light, Aluminum FO10, Left Side, LL 3 Flat Steps
46	DAA402JW20	W = 160, w/ & w/o Traffic Flow Light, Aluminum FO10, Right Side, LL 3 Flat Steps
47	DAA402JW57	W = 160, w/ Traffic Flow Light, Aluminum FO10, Left Side, LL 2 Flat Steps
48	DAA402JW59	W = 160, w/ Traffic Flow Light, Aluminum FO10, Left Side, LL 3 Flat Steps

Glass Balustrade Outer Decking

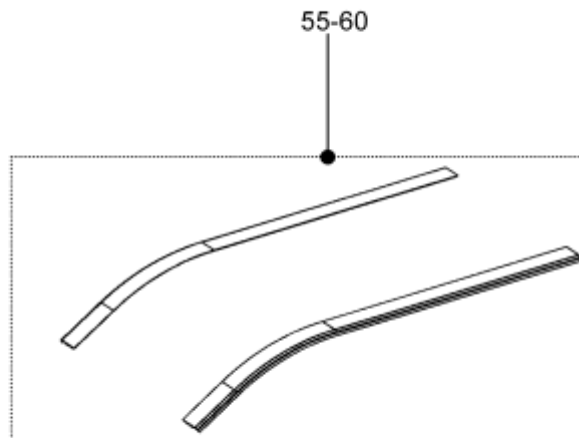
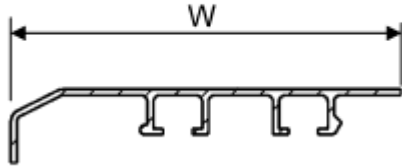
- For Alum Outer Decking - Broadened Profile
- Inclination degree: 30°



DAA26228CA		LOWER LANDING = LL	
REF. No.	PART No.	DESCRIPTION	
49	DAA402JW21	W = 161~185, w/o Traffic Flow Light, Aluminum FO10, Left Side, LL	2 Flat Steps
50	DAA402JW22	W = 161~185, w/o Traffic Flow Light, Aluminum FO10, Right Side, LL	
51	DAA402JW23	W = 161~185, w/o Traffic Flow Light, Aluminum FO10, Left Side, LL	3 Flat Steps
52	DAA402JW24	W = 161~185, w/o Traffic Flow Light, Aluminum FO10, Right Side, LL	
53	DAA402JW61	W = 161~185, w/ Traffic Flow Light, Aluminum FO10, Left Side, LL	2 Flat Steps
54	DAA402JW63	W = 161~185, w/ Traffic flow Light, Aluminum FO10, Left Side, LL	3 Flat Steps

Glass Balustrade Outer Decking

- For Alum Outer Decking - Standard Profile
- Inclination degree: 30°



IN DOOR ONLY

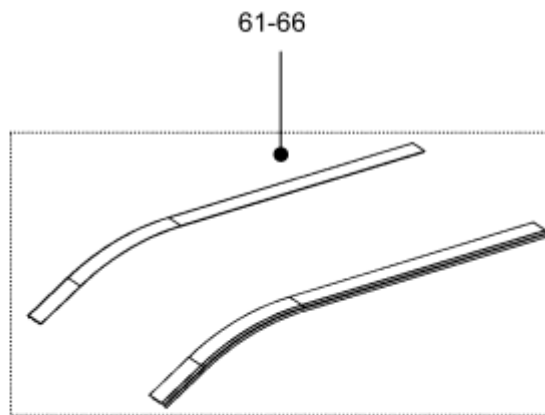
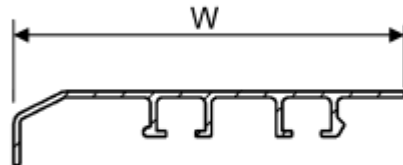
UPPER LANDING = UL

DAA26228CA

REF. No.	PART No.	DESCRIPTION	
55	DAA402JX1	W = 160, w/o Traffic Flow Light, Aluminum Powder Coated, Left Side, UL	2 Flat Steps
56	DAA402JX2	W = 160, w/o Traffic Flow Light, Aluminum Powder Coated, Right Side, UL	
57	DAA402JX3	W = 160, w/o Traffic Flow Light, Aluminum Powder Coated, Left Side, UL	3 Flat Steps
58	DAA402JX4	W = 160, w/o Traffic Flow Light, Aluminum Powder Coated, Right Side, UL	
59	DAA402JX66	W = 160, w/ Traffic Flow Light, Aluminum Powder Coated, Right Side, UL	2 Flat Steps
60	DAA402JX68	W = 160, w/ Traffic Flow Light, Aluminum Powder Coated, Right Side, UL	3 Flat Steps

Glass Balustrade Outer Decking

- For Alum Outer Decking - Broadened Profile
- Inclination degree: 30°

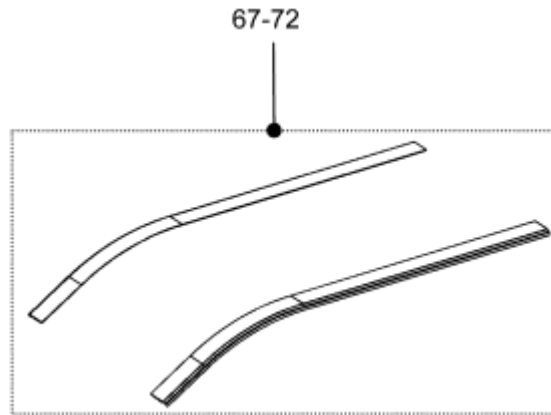
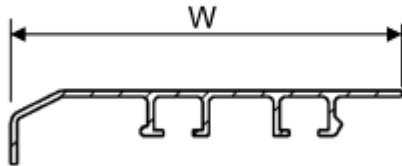


IN DOOR ONLY

DAA26228CA		UPPER LANDING = UL	
REF. No.	PART No.	DESCRIPTION	
61	DAA402JX5	W = 161~185, w/o Traffic Flow Light, Aluminum Powder Coated, Left Side, UL	2 Flat Steps
62	DAA402JX6	W = 161~185, w/o Traffic Flow Light, Aluminum Powder Coated, Right Side, UL	
63	DAA402JX7	W = 161~185, w/o Traffic Flow Light, Aluminum Powder Coated, Left Side, UL	3 Flat Steps
64	DAA402JX8	W = 161~185, w/o Traffic Flow Light, Aluminum Powder Coated, Right Side, UL	
65	DAA402JX70	W = 161~185, w/ Traffic Flow Light, Aluminum Powder Coated, Right Side, UL	2 Flat Steps
66	DAA402JX72	W = 161~185, w/ Traffic Flow Light, Aluminum Powder Coated, Right Side, UL	3 Flat Steps

Glass Balustrade Outer Decking

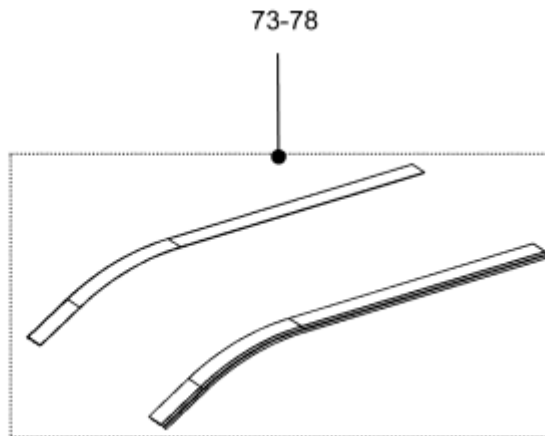
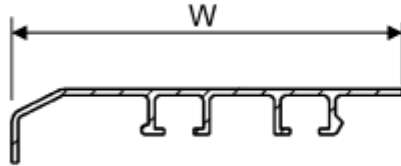
- For Alum Outer Decking - Standard Profile
- Inclination degree: 30°



DAA26228CA		UPPER LANDING = UL	
REF. No.	PART No.	DESCRIPTION	
67	DAA402JX9	W = 160, w/o Traffic Flow Light, Aluminum FO7, Left Side, UL	2 Flat Steps
68	DAA402JX10	W = 160, w/o Traffic Flow Light, Aluminum FO7, Right Side, UL	
69	DAA402JX11	W = 160, w/o Traffic Flow Light, Aluminum FO7, Left Side, UL	3 Flat Steps
70	DAA402JX12	W = 160, w/o Traffic Flow Light, Aluminum FO7, Right Side, UL	
71	DAA402JX50	W = 160, w/ Traffic Flow Light, Aluminum FO7, Right Side, UL	2 Flat Steps
72	DAA402JX52	W = 160, w/ Traffic Flow Light, Aluminum FO7, Right Side, UL	3 Flat Steps

Glass Balustrade Outer Decking

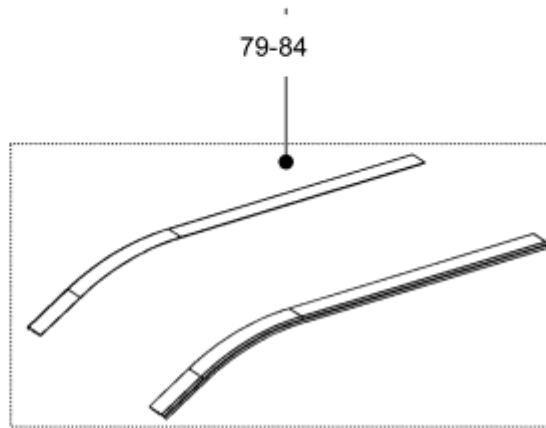
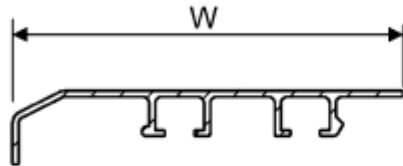
- For Alum Outer Decking - Broadened Profile
- Inclination degree: 30°



DAA26228CA		UPPER LANDING = UL	
REF. No.	PART No.	DESCRIPTION	
73	DAA402JX13	W = 161~185, w/o Traffic Flow Light, Aluminum FO7, Left Side, UL	2 Flat Steps
74	DAA402JX14	W = 161~185, w/o Traffic Flow Light, Aluminum FO7, Right Side, UL	2 Flat Steps
75	DAA402JX15	W = 161~185, w/o Traffic Flow Light, Aluminum FO7, Left Side, UL	3 Flat Steps
76	DAA402JX16	W = 161~185, w/o Traffic Flow Light, Aluminum FO7, Right Side, UL	3 Flat Steps
77	DAA402JX54	W = 161~185, w/ Traffic Flow Light, Aluminum FO7, Right Side, UL	2 Flat Steps
78	DAA402JX56	W = 161~185, w/ Traffic Flow Light, Aluminum FO7, Right Side, UL	3 Flat Steps

Glass Balustrade Outer Decking

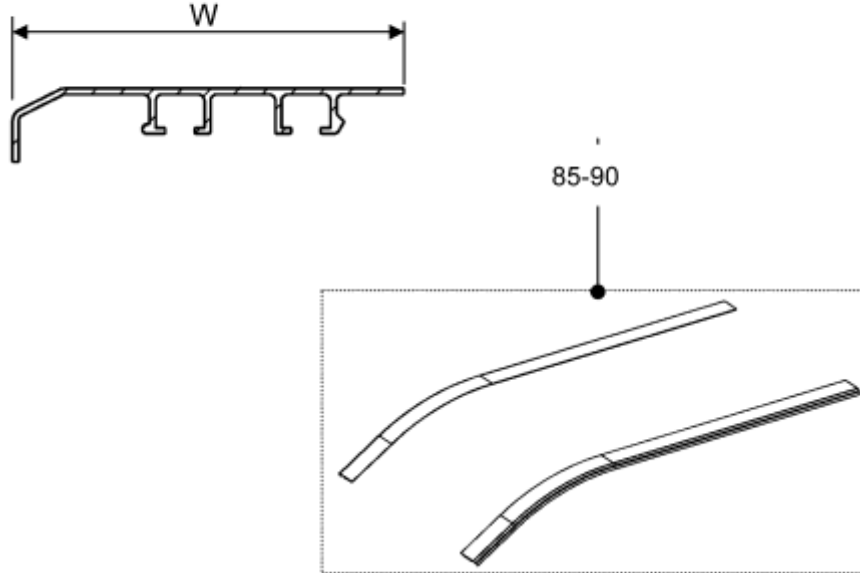
- For Alum Outer Decking - Standard Profile
- Inclination degree: 30°



DAA26228CA		UPPER LANDING = UL	
REF. No.	PART No.	DESCRIPTION	
79	DAA402JX17	W = 160, w/o Traffic Flow Light, Aluminum FO10, Left Side, UL	2 Flat Steps
80	DAA402JX18	W = 160, w/o Traffic Flow Light, Aluminum FO10, Right Side, UL	
81	DAA402JX19	W = 160, w/o Traffic Flow Light, Aluminum FO10, Left Side, UL	3 Flat Steps
82	DAA402JX20	W = 160, w/o Traffic Flow Light, Aluminum FO10, Right Side, UL	
83	DAA402JX58	W = 160, w/ Traffic Flow Light, Aluminum FO10, Right Side, UL	2 Flat Steps
84	DAA402JX60	W = 160, w/ Traffic Flow Light, Aluminum FO10, Right Side, UL	3 Flat Steps

Glass Balustrade Outer Decking

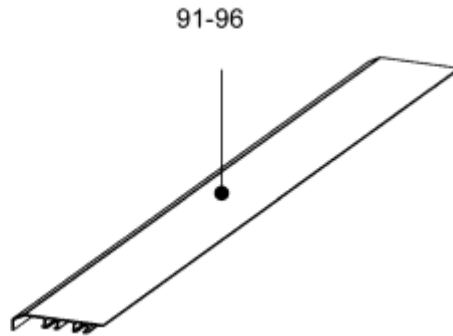
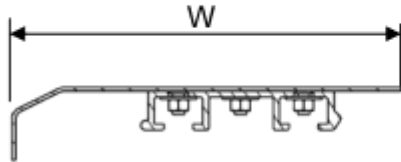
- For Alum Outer Decking - Broadened Profile
- Inclination degree: 30°



DAA26228CA		UPPER LANDING = UL	
REF. No.	PART No.	DESCRIPTION	
85	DAA402JX21	W = 161~185, w/o Traffic Flow Light, Aluminum FO10, Left Side, UL	2 Flat Steps
86	DAA402JX22	W = 161~185, w/o Traffic Flow Light, Aluminum FO10, Right Side, UL	
87	DAA402JX23	W = 161~185, w/o Traffic Flow Light, Aluminum FO10, Left Side, UL	3 Flat Steps
88	DAA402JX24	W = 161~185, w/o Traffic Flow Light, Aluminum FO10, Right Side, UL	
89	DAA402JX62	W = 161~185, w/ Traffic Flow Light, Aluminum FO10, Right Side, UL	2 Flat Steps
90	DAA402JX64	W = 161~185, w/ Traffic Flow Light, Aluminum FO10, Right Side, UL	3 Flat Steps

Glass Balustrade Outer Decking

- For Stainless Steel Outer Decking
- Inclination degree: 30°

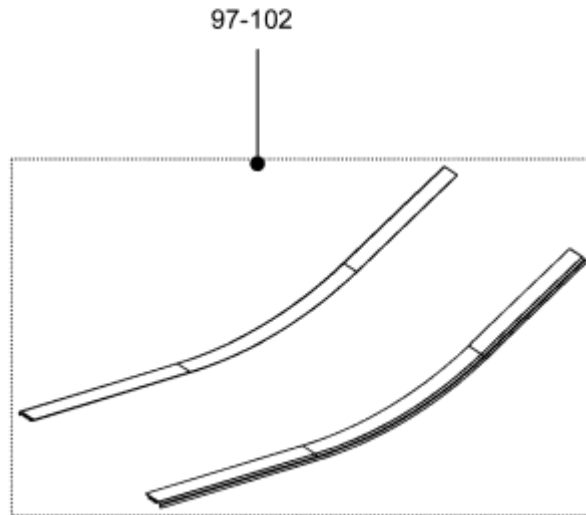
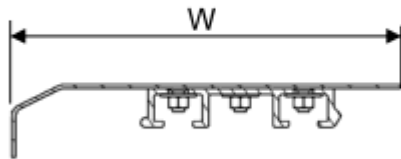


DAA26228CA

REF. No.	PART No.	DESCRIPTION	
91	DAA402BK1	Inclined Section, G2, Const. Length, L = 2960 mm	
92	DAA402BK3	Inclined Section, G2, Const. Length, L = 1960 mm	Standard Profile W = 160
93	DAA402BK_V2	Inclined Section, G2, var. Length (per Spec)	
94	DAA402BK4	Inclined Section, G2, const. Length, L = 2960 mm	
95	DAA402BK6	Inclined Section, G2, const. Length, L = 1960 mm	Broadened Profile W = 161~185
96	DAA402BK_V4	Inclined Section, G2, var. Length (per Spec)	

Glass Balustrade Outer Decking

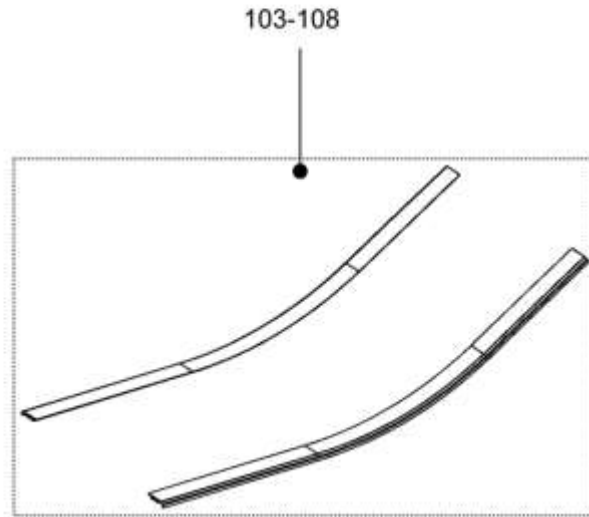
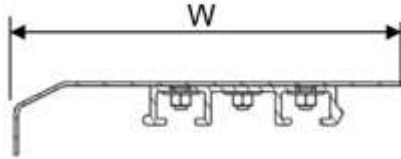
- For Stainless Steel Outer Decking - Standard Profile
- Inclination degree: 30°



DAA26228CA		LOWER LANDING = LL	
REF. No.	PART No.	DESCRIPTION	
97	DAA402JY1	W = 160, w/o Traffic Flow Light, G2, Left Side, LL	2 Flat Steps
98	DAA402JY2	W = 160, w/o Traffic Flow Light, G2, Right Side, LL	
99	DAA402JY3	W = 160, w/o Traffic Flow Light, G2, Left Side, LL	3 Flat Steps
100	DAA402JY4	W = 160, w/o Traffic Flow Light, G2, Right Side, LL	
101	DAA402JY17	W = 160, w/ Traffic Flow Light, G2, Left Side, LL	2 Flat Steps
102	DAA402JY19	W = 160, w/ Traffic Flow Light, G2, Left Side, LL	3 Flat Steps

Glass Balustrade Outer Decking

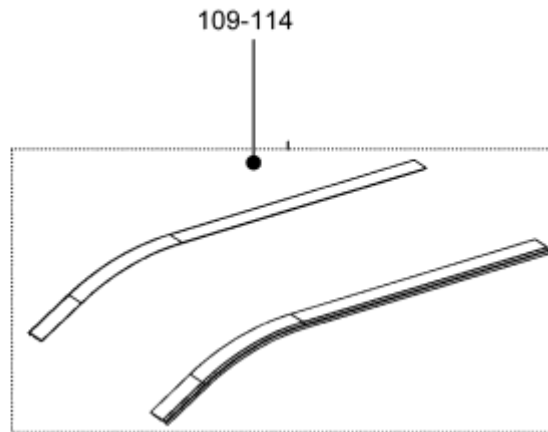
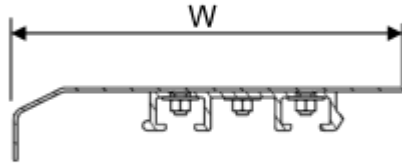
- For Stainless Steel Outer Decking - Broadened Profile
- Inclination degree: 30°



DAA26228CA		LOWER LANDING = LL	
REF. No.	PART No.	DESCRIPTION	
103	DAA402JY5	W = 161~185, w/o Traffic Flow Light, G2, Left Side, LL	2 Flat Steps
104	DAA402JY6	W = 161~185, w/o Traffic Flow Light, G2, Right Side, LL	
105	DAA402JY7	W = 161~185, w/o Traffic Flow Light, G2, Left Side, LL	3 Flat Steps
106	DAA402JY8	W = 161~185, w/o Traffic Flow Light, G2, Right Side, LL	
107	DAA402JY21	W = 161~185, w/ Traffic Flow Light, G2, Left Side, LL	2 Flat Steps
108	DAA402JY23	W = 161~185, w/ Traffic Flow Light, G2, Left Side, LL	3 Flat Steps

Glass Balustrade Outer Decking

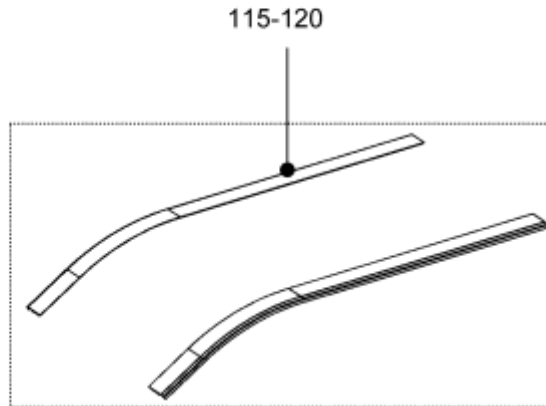
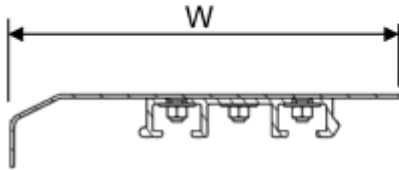
- For Stainless Steel Outer Decking - Standard Profile
- Inclination degree: 30°



DAA26228CA		UPPER LANDING = UL	
REF. No.	PART No.	DESCRIPTION	
109	DAA402JZ1	W = 160, w/o Traffic Flow Light, G2, Left Side, UL	2 Flat Steps
110	DAA402JZ2	W = 160, w/o Traffic Flow Light, G2, Right Side, UL	
111	DAA402JZ3	W = 160, w/o Traffic Flow Light, G2, Left Side, UL	3 Flat Steps
112	DAA402JZ4	W = 160, w/o Traffic Flow Light, G2, Right Side, UL	
113	DAA402JZ18	W = 160, w/ Traffic Flow Light, G2, Right Side, UL	2 Flat Steps
114	DAA402JZ20	W = 160, w/ Traffic Flow Light, G2, Right Side, UL	3 Flat Steps

Glass Balustrade Outer Decking

- For Stainless Steel Outer Decking - Broadened Profile
- Inclination degree: 30°



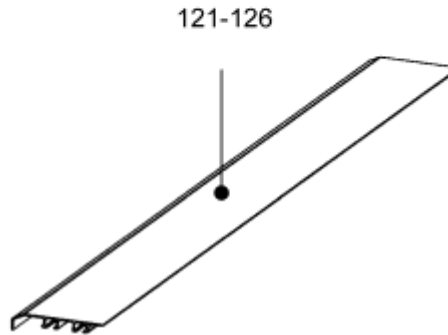
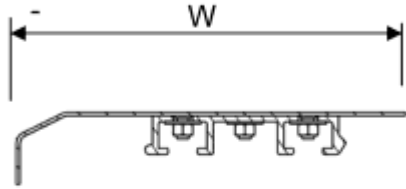
DAA26228CA

UPPER LANDING = UL

REF. No.	PART No.	DESCRIPTION
115	DAA402JZ5	W = 161~185, w/o Traffic Flow Light, G2, Left Side, UL
116	DAA402 JZ6	W = 161~185, w/o Traffic Flow Light, G2, Right Side, UL
117	DAA402 JZ7	W = 161~185, w/o Traffic Flow Light, G2, Left Side, UL
118	DAA402 JZ8	W = 161~185, w/o Traffic Flow Light, G2, Right Side, UL
119	DAA402JZ22	W = 161~185, w/ Traffic Flow Light, G2, Right Side, UL
120	DAA402JZ24	W = 161~185, w/ Traffic Flow Light, G2, Right Side, UL

Glass Balustrade Outer Decking

- For Bronze Hairline 240# Outer Decking
- Inclination degree: 30°



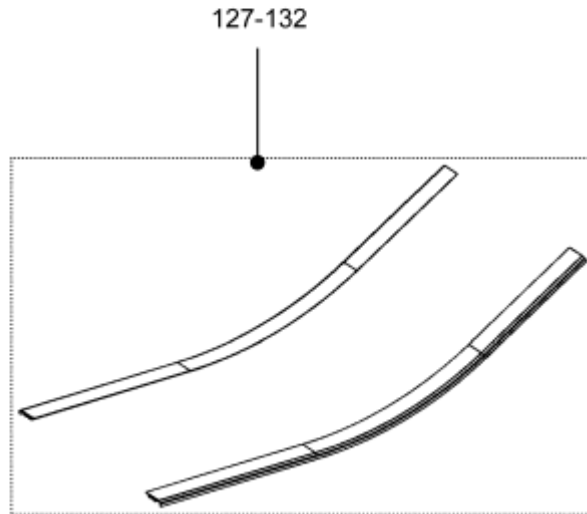
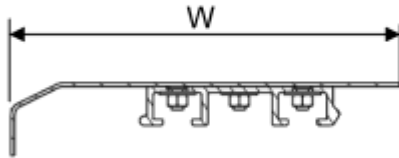
DAA26228CA		
REF. No.	PART No.	DESCRIPTION
121	DAA402BK25	Inclined Section, Const. Length, L = 2960 mm
122	DAA402BK27	Inclined Section, Const. Length, L = 1960 mm
123	DAA402BK_V18	Inclined Section, Var. Length (per Spec)
124	DAA402BK28	Inclined Section, Const. Length, L = 2960 mm
125	DAA402BK30	Inclined Section, Const. Length, L = 1960 mm
126	DAA402BK_V20	Inclined Section, var. Length (per Spec)

Standard Profile
W = 160

Broadened Profile
W = 161~185

Glass Balustrade Outer Decking

- For Bronze Hairline 240# Outer Decking - Standard Profile
- Inclination degree: 30°



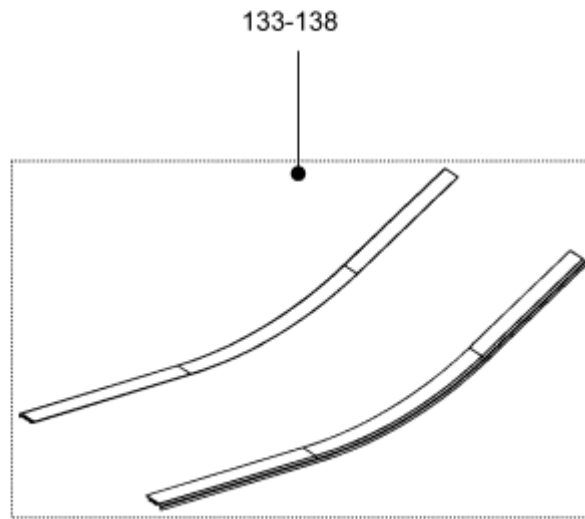
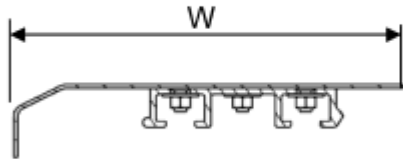
DAA26228CA

LOWER LANDING = LL

REF. No.	PART No.	DESCRIPTION
127	DAA402JY51	W = 160, w/o Traffic Flow Light, Left Side, LL 2 Flat Steps
128	DAA402 JY52	W = 160, w/o Traffic Flow Light, Right Side, LL
129	DAA402 JY53	W = 160, w/o Traffic Flow Light, Left Side, LL 3 Flat Steps
130	DAA402 JY54	W = 160, w/o Traffic Flow Light, Right Side, LL
131	DAA402JY67	W = 160, w/ Traffic Flow Light, Left Side, LL 2 Flat Steps
132	DAA402JY69	W = 160, w/ Traffic Flow Light, Left Side, LL 3 Flat Steps

Glass Balustrade Outer Decking

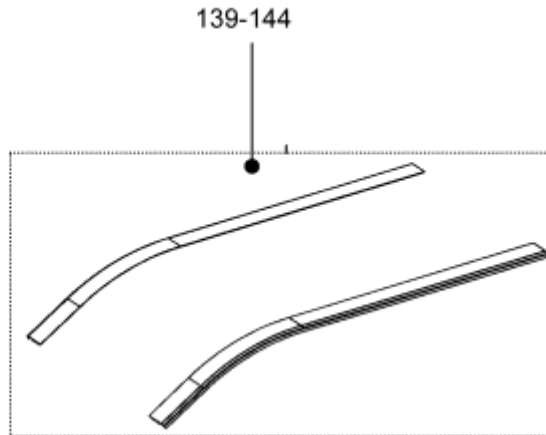
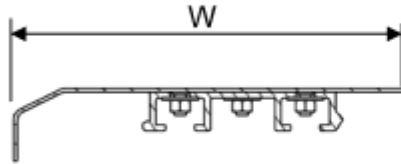
- For Bronze Hairline 240# Outer Decking - Broadened Profile
- Inclination degree: 30°



DAA26228CA		LOWER LANDING = LL	
REF. No.	PART No.	DESCRIPTION	
133	DAA402JY55	W = 161~185, w/o Traffic Flow Light, Left Side, LL	2 Flat Steps
134	DAA402JY56	W = 161~185, w/o Traffic Flow Light, Right Side, LL	
135	DAA402JY57	W = 161~185, w/o Traffic Flow Light, Left Side, LL	3 Flat Steps
136	DAA402JY58	W = 161~185, w/o Traffic Flow Light, Right Side, LL	
137	DAA402JY71	W = 161~185, w/ Traffic Flow Light, Left Side, LL	2 Flat Steps
138	DAA402JY73	W = 161~185, w/ Traffic Flow Light, Left Side, LL	3 Flat Steps

Glass Balustrade Outer Decking

- For Bronze Hairline 240# Outer Decking - Standard Profile
- Inclination degree: 30°



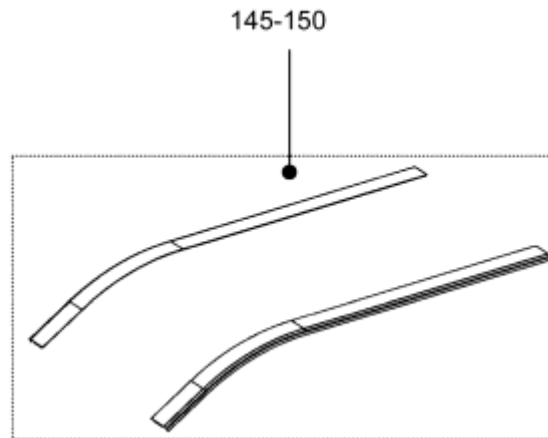
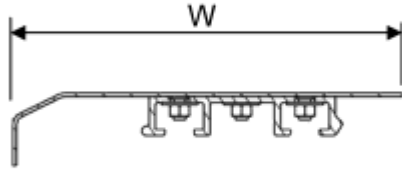
DAA26228CA

UPPER LANDING = UL

REF. No.	PART No.	DESCRIPTION
139	DAA402JZ51	W = 160, w/o Traffic Flow Light, Left Side, UL
140	DAA402JZ52	W = 160, w/o Traffic Flow Light, Right Side, UL
141	DAA402JZ53	W = 160, w/o Traffic Flow Light, Left Side, UL
142	DAA402JZ54	W = 160, w/o Traffic Flow Light, Right Side, UL
143	DAA402JZ68	W = 160, w/ Traffic Flow Light, Right Side, UL
144	DAA402JZ70	W = 160, w/ Traffic Flow Light, Right Side, UL

Glass Balustrade Outer Decking

- For Bronze Hairline 240# Outer Decking - Broadened Profile
- Inclination degree: 30°



DAA26228CA		UPPER LANDING = UL	
REF. No.	PART No.	DESCRIPTION	
145	DAA402JZ55	W = 161~185, w/o Traffic Flow Light, G2, Left Side, UL	2 Flat Steps
146	DAA402JZ56	W = 161~185, w/o Traffic Flow Light, G2, Right Side, UL	
147	DAA402JZ57	W = 161~185, w/o Traffic Flow Light, G2, Left Side, UL	3 Flat Steps
148	DAA402JZ58	W = 161~185, w/o Traffic Flow Light, G2, Right Side, UL	
149	DAA402JZ72	W = 161~185, w/ Traffic Flow Light, G2, Right Side, UL	2 Flat Steps
150	DAA402JZ74	W=161~185, w/ Traffic Flow Light, G2, Right Side, UL	3 Flat Steps