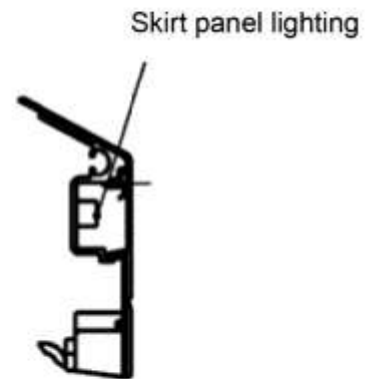
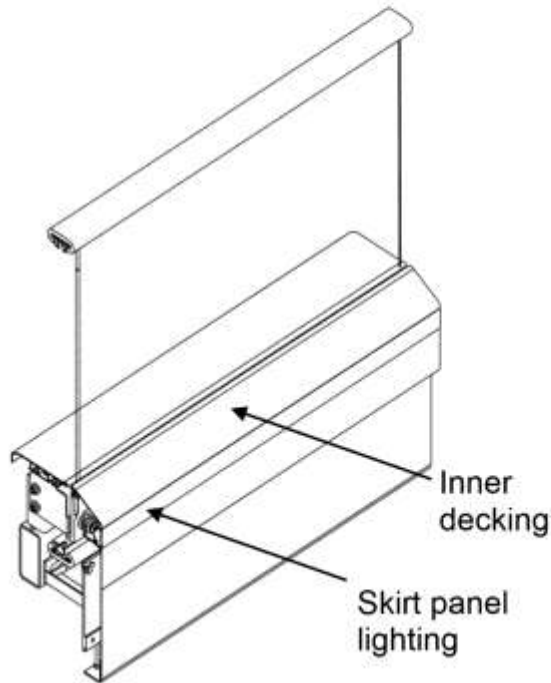


**508NCE / 512NCE
Escalator Inner Decking
& Skirt Panel Lighting**

Spare Parts Leaflet

57-DAA26228CC

July 15, 2011 / Page 1 of 28



OTIS

**ESCALATOR ENGINEERING
Otis Elevator Company
SIT GUANGZHOU**

Unpublished Work—©Otis Elevator Co.; 2011

Leaflet Description

508NCE / 512NCE_ANSI Escalator Inner Decking & Skirt Panel Lighting.

Leaflet Revisions

Date Revised	Subject Matter Expert	Reason for Revision
June 10, 2009	Liang, Ye	Original document
August 20, 2010	Guo Huajia	DAA402EB1/2 changed to GBA402BML ½, and description of GBA50AGP1 changed on page 28
July 15, 2011	Li Bill	Ref. no. 80 DAA402KZ1 corrected to DAA402KZ2

Related Drawings

Drawing No.	Title	Drawing No.	Title
DAA26228CC	Inner Decking w/ Skirt Panel Lighting		

Related Documents

Document ID	Title
ODS DAA27076DV	Inner Decking
ODS DAA27076ES	Inner Decking
ODS DAA27076FE	Skirt Panel Lighting

Subject Matter Expert

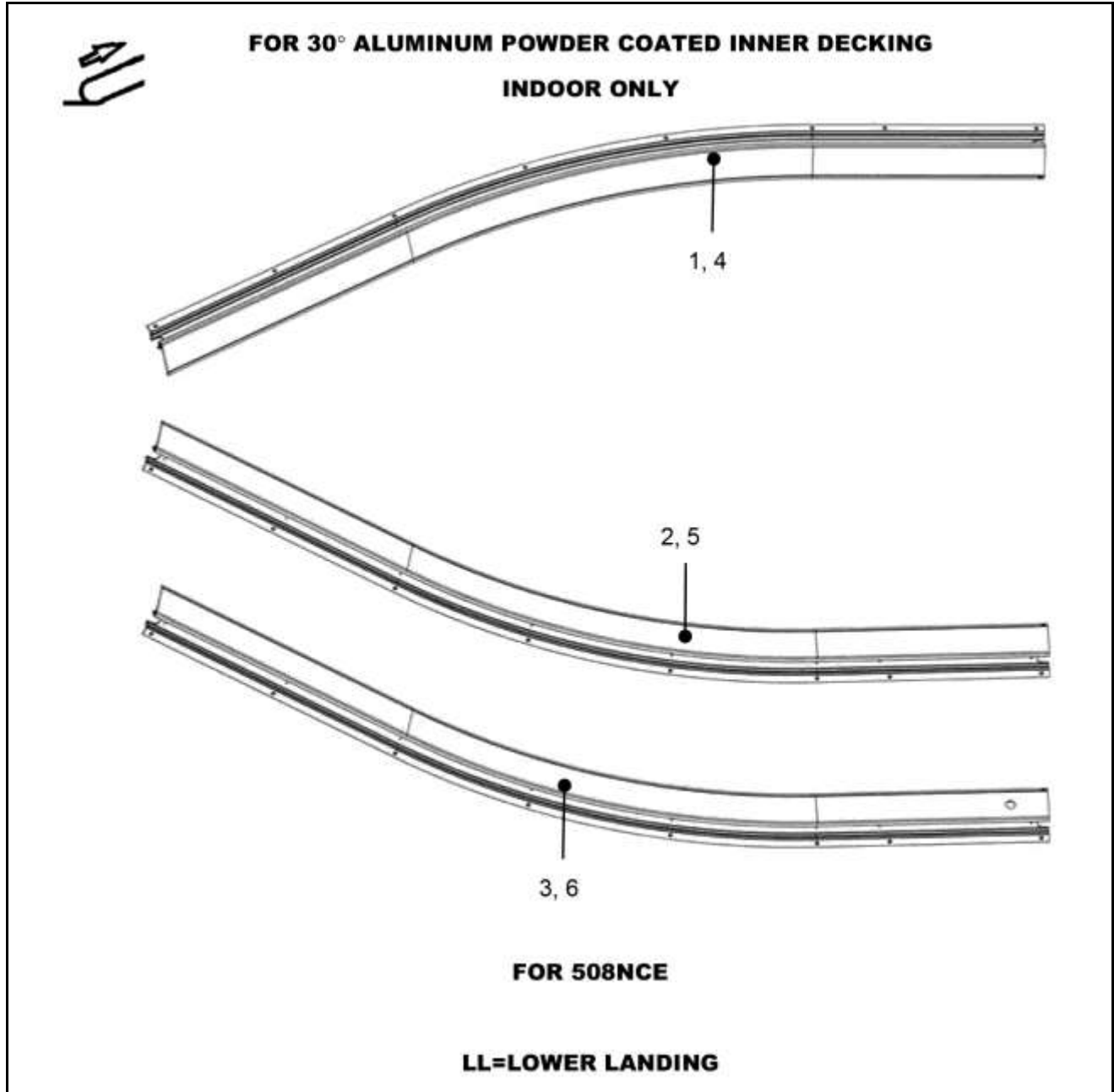
Name	Department
Li Bill & Guo Huajia	SIT-GUANGZOU

About Spare Parts Leaflets...

This document lists the lowest replaceable units (LRUs) for the standard version of the product. The LRUs are chosen by a team of Otis associates representing engineering and manufacturing.

While goal of this document is to make parts identification as easy as possible, the document cannot be all-inclusive. Elevator and escalator contracts classified as "special" or "custom" are not addressed here. For such contracts, please refer to specified information, the contract folder, TIPs, Field Education Articles, Construction Letters, etc. for further information.

If you have any suggestions about this document, please contact the subject matter expert listed on this page.

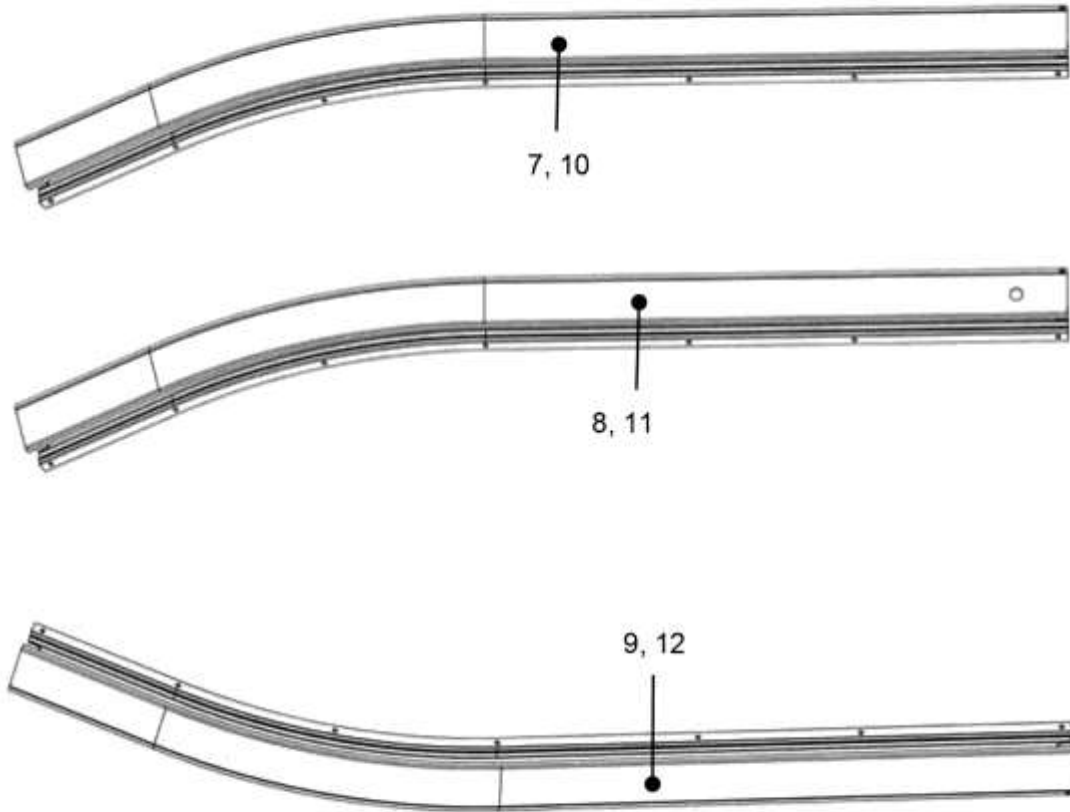


DAA26228CC			
REF. No.	PART No.	DESCRIPTION	
1	DAA402KV1	Aluminum Powder Coated, Left Side, LL	2 flat steps ANSI
2	DAA402KV2	W/ NY (W/O Key Switch), Aluminum Powder Coated, Right Side, LL	
3	DAA402KV3	W/O NY (With Key Switch), Aluminum Powder Coated, Right Side, LL	
4	DAA402KV4	Aluminum Powder Coated, Left Side, LL	3 flat steps ANSI
5	DAA402KV5	W/ NY (W/O Key Switch), Aluminum Powder Coated, Right Side, LL	
6	DAA402KV6	W/O NY (With Key Switch), Aluminum Powder Coated, Right Side, LL	

NY

FOR 30° ALUMINUM POWDER COATED INNER DECKING

INDOOR ONLY



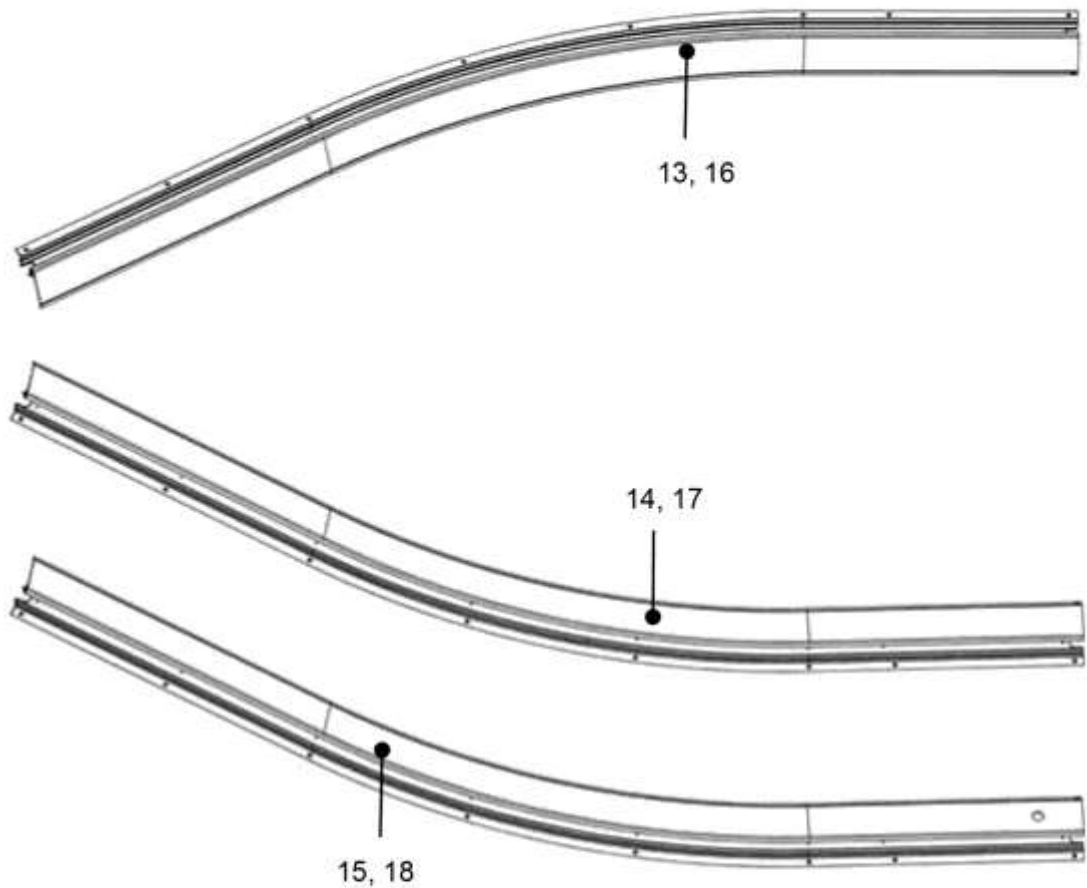
FOR 508NCE

UL=UPPER LANDING

DAA26228CC			
REF. No.	PART No.	DESCRIPTION	
7	DAA402KW1	W/ NY (W/O Key Switch), Aluminum Powder Coated, Left Side, UL	2 flat steps ANSI
8	DAA402KW2	W/O NY (With Key Switch), Aluminum Powder Coated, Left Side, UL	
9	DAA402KW3	Aluminum Powder Coated, Right Side, UL	
10	DAA402KW4	W/ NY (W/O Key Switch), Aluminum Powder Coated, Left Side, UL	3 flat steps ANSI
11	DAA402KW5	W/O NY (With Key Switch), Aluminum Powder Coated, Left Side, UL	
12	DAA402KW6	Aluminum Powder Coated, Right Side, UL	

411

**FOR 30° ALUMINUM POWDER COATED INNER DECKING
INDOOR ONLY**



FOR 512NCE

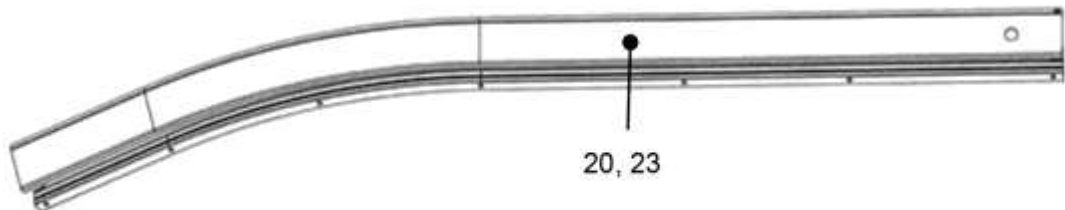
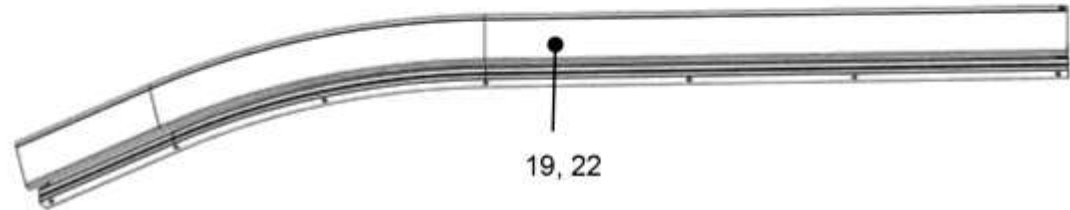
LL=LOWER LANDING

DAA26228CC			
REF. No.	PART No.	DESCRIPTION	
13	DAA402KV201	Aluminum Powder Coated, Left Side, LL	2 flat steps ANSI
14	DAA402KV202	W/ NY (W/O Key Switch), Aluminum Powder Coated, Right Side, LL	
15	DAA402KV203	W/O NY (With Key Switch), Aluminum Powder Coated, Right Side, LL	
16	DAA402KV204	Aluminum Powder Coated, Left Side, LL	3 flat steps ANSI
17	DAA402KV205	W/ NY (W/O Key Switch), Aluminum Powder Coated, Right Side, LL	
18	DAA402KV206	W/O NY (With Key Switch), Aluminum Powder Coated, Right Side, LL	

NY

FOR 30° ALUMINUM POWDER COATED INNER DECKING

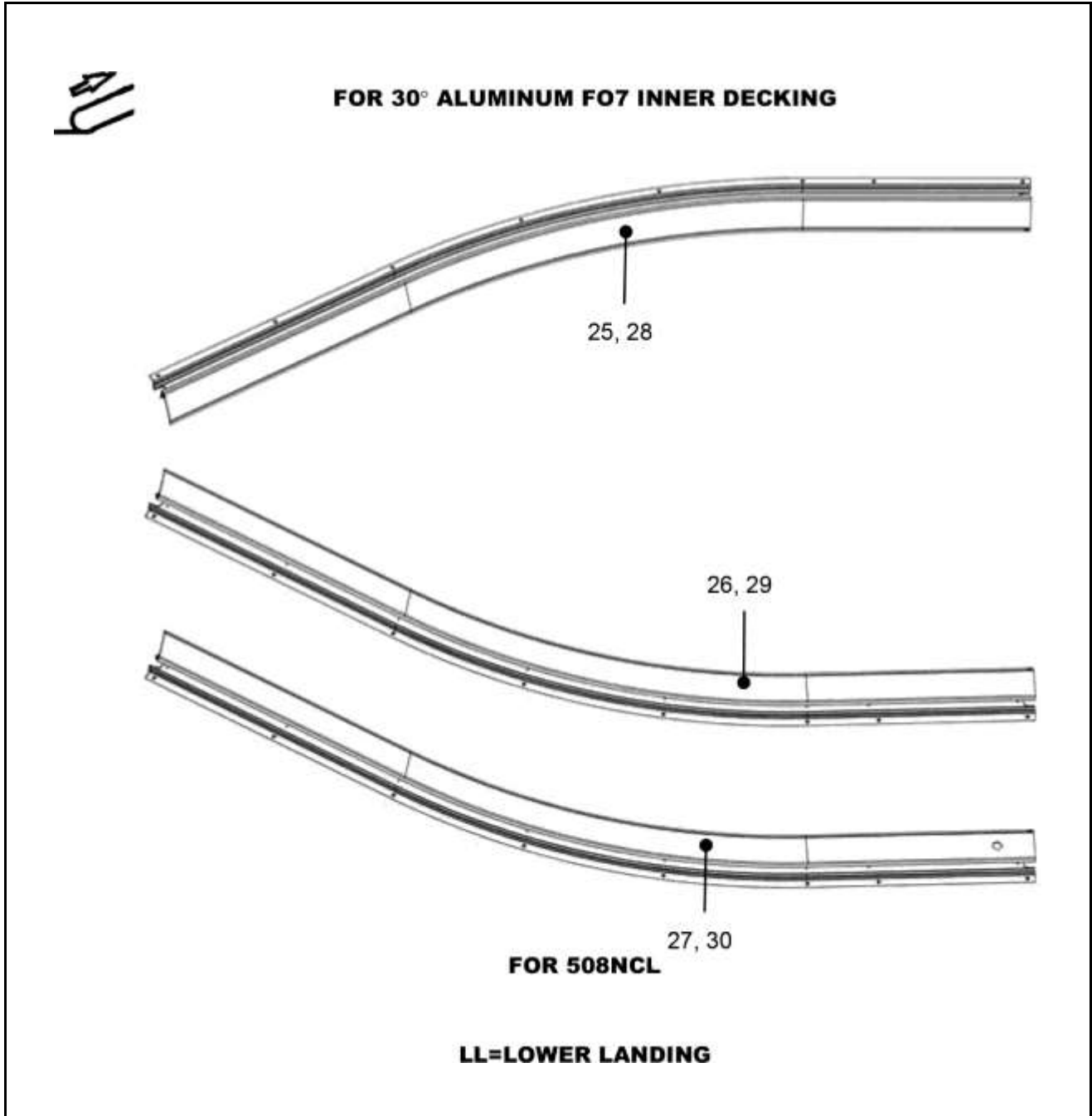
INDOOR ONLY



FOR 512NCE

UL=UPPER LANDING

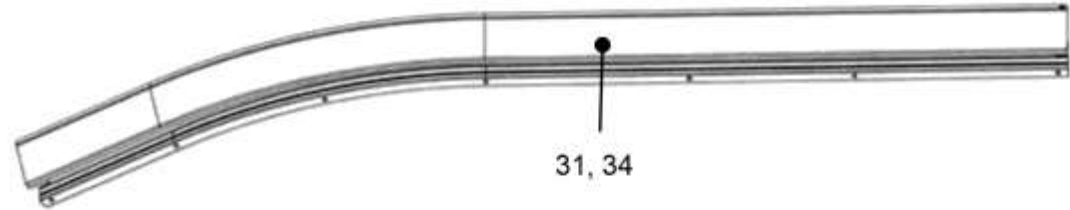
DAA26228CC			
REF. No.	PART No.	DESCRIPTION	
19	DAA402KW201	W/ NY (W/O Key Switch), Aluminum Powder Coated, Left Side, UL	2 flat steps ANSI
20	DAA402KW202	W/O NY (With Key Switch), Aluminum Powder Coated, Left Side, UL	
21	DAA402KW203	Aluminum Powder Coated, Right Side, UL	
22	DAA402KW204	W/ NY (W/O Key Switch), Aluminum Powder Coated, Left Side, UL	3 flat steps ANSI
23	DAA402KW205	W/O NY (With Key Switch), Aluminum Powder Coated, Left Side, UL	
24	DAA402KW206	Aluminum Powder Coated, Right Side, UL	



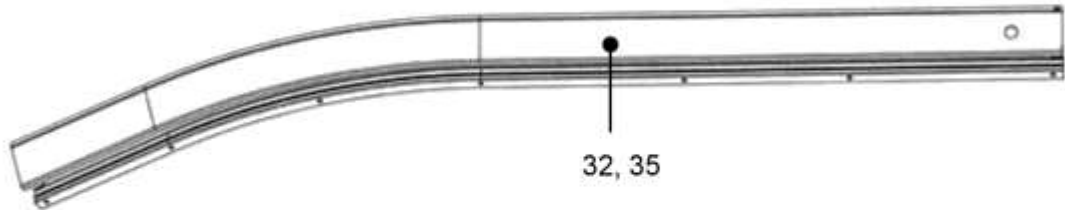
DAA26228CC			
REF. No.	PART No.	DESCRIPTION	
25	DAA402KV7	Aluminum FO7, Left Side, LL	2 flat steps ANSI
26	DAA402KV8	W/ NY (W/O Key Switch), Aluminum FO7, Right Side, LL	
27	DAA402KV9	W/O NY (With Key Switch), Aluminum FO7, Right Side, LL	
28	DAA402KV10	Aluminum FO7, Left Side, LL	3 flat steps ANSI
29	DAA402KV11	W/ NY (W/O Key Switch), Aluminum FO7, Right Side, LL	
30	DAA402KV12	W/O NY (With Key Switch), Aluminum FO7, Right Side, LL	

NY

FOR 30° ALUMINUM FO7 INNER DECKING



31, 34



32, 35

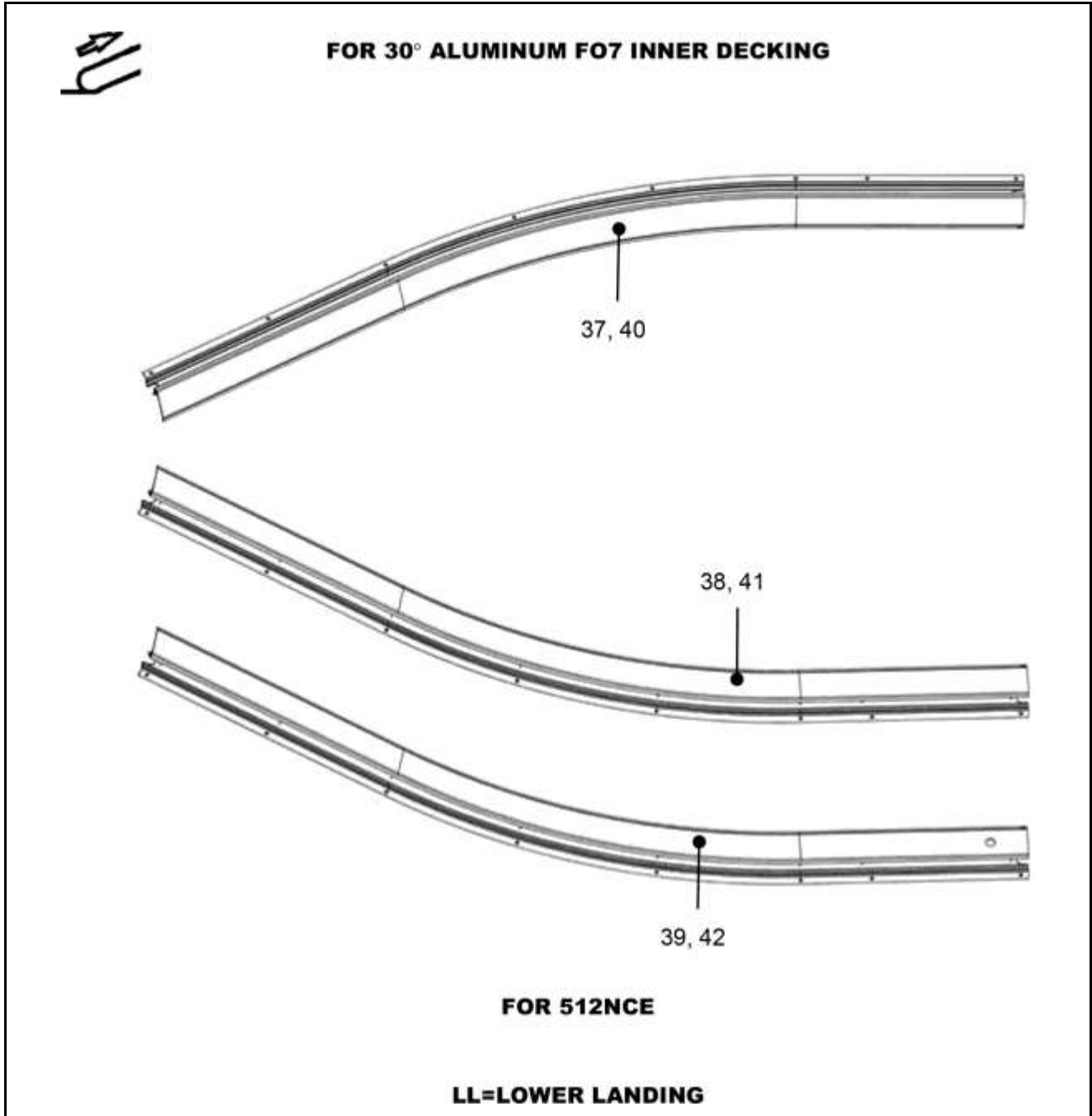


33, 36

FOR 508NCE

UL=UPPER LANDING

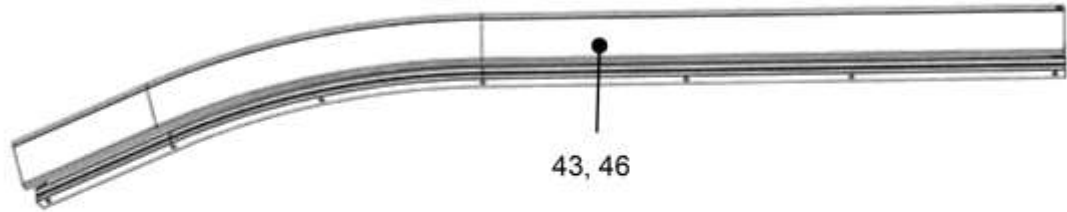
DAA26228CC			
REF. No.	PART No.	DESCRIPTION	
31	DAA402KW7	W/ NY (W/O Key Switch), Aluminum FO7, Left Side, UL	2 flat steps ANSI
32	DAA402KW8	W/O NY (With Key Switch), Aluminum FO7, Left Side, UL	
33	DAA402KW9	Aluminum FO7, Right Side, UL	
34	DAA402KW10	W/ NY (W/O Key Switch), Aluminum FO7, Left Side, UL	3 flat steps ANSI
35	DAA402KW11	W/O NY (With Key Switch), Aluminum FO7, Left Side, UL	
36	DAA402KW12	Aluminum FO7, Right Side, UL	



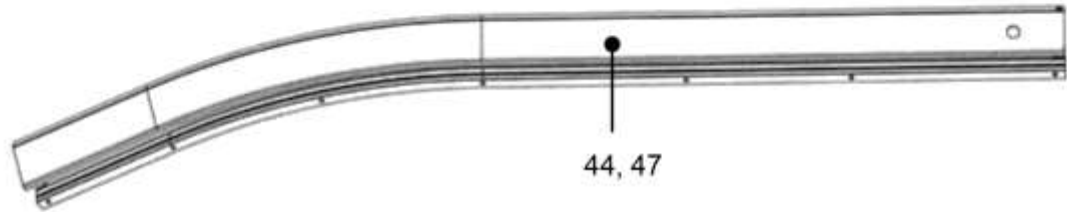
DAA26228CC			
REF. No.	PART No.	DESCRIPTION	
37	DAA402KV207	Aluminum FO7, Left Side, LL	2 flat steps ANSI
38	DAA402KV208	W/ NY (W/O Key Switch), Aluminum FO7, Right Side, LL	
39	DAA402KV209	W/O NY (With Key Switch), Aluminum FO7, Right Side, LL	
40	DAA402KV210	Aluminum FO7, Left Side, LL	3 flat steps ANSI
41	DAA402KV211	W/ NY (W/O Key Switch), Aluminum FO7, Right Side, LL	
42	DAA402KV212	W/O NY (With Key Switch), Aluminum FO7, Right Side, LL	

NY

FOR 30° ALUMINUM FO7 INNER DECKING



43, 46



44, 47



45, 48

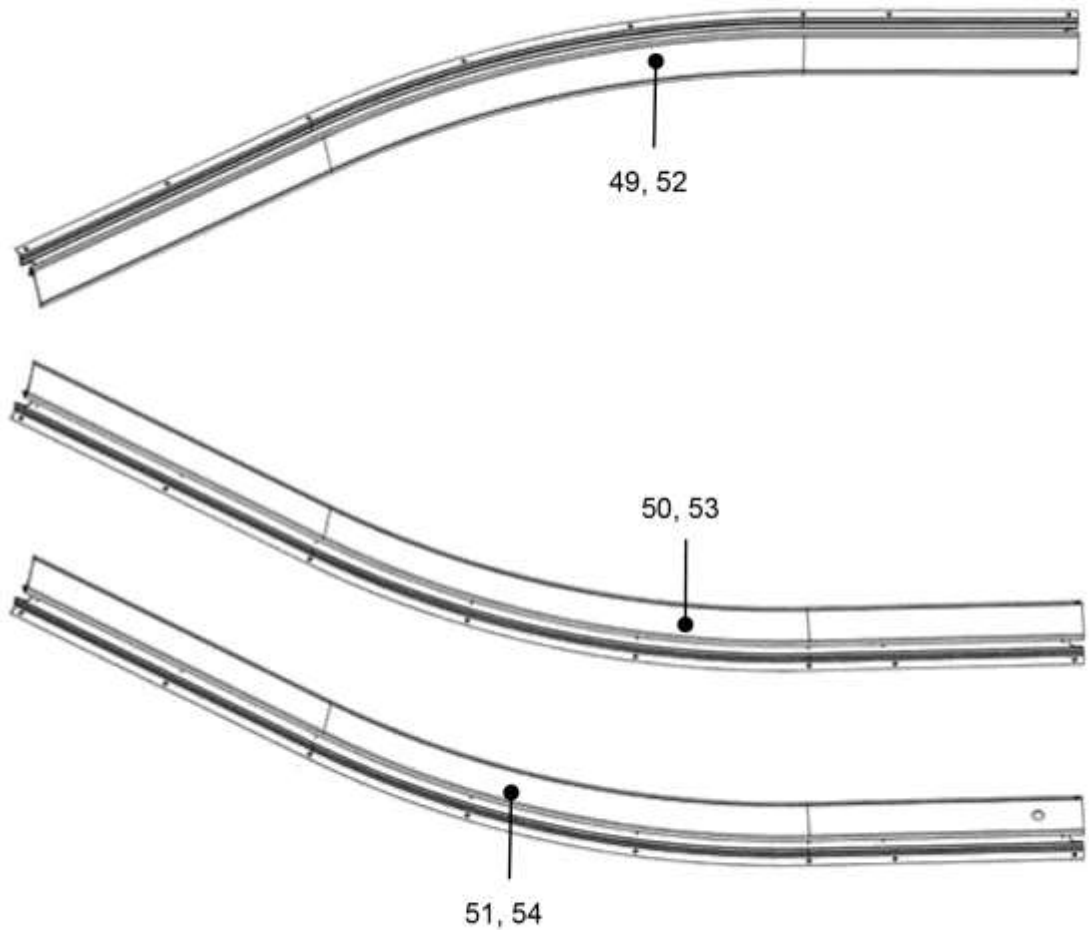
FOR 512NCE

UL=UPPER LANDING

DAA26228CC			
REF. No.	PART No.	DESCRIPTION	
43	DAA402KW207	W/ NY (W/O Key Switch), Aluminum FO7, Left Side, UL	2 flat steps ANSI
44	DAA402KW208	W/O NY (With Key Switch), Aluminum FO7, Left Side, UL	
45	DAA402KW209	Aluminum FO7, Right Side, UL	
46	DAA402KW210	W/ NY (W/O Key Switch), Aluminum FO7, Left Side, UL	3 flat steps ANSI
47	DAA402KW211	W/O NY (With Key Switch), Aluminum FO7, Left Side, UL	
48	DAA402KW212	Aluminum FO7, Right Side, UL	

417

FOR 30° ALUMINUM FO10 INNER DECKING

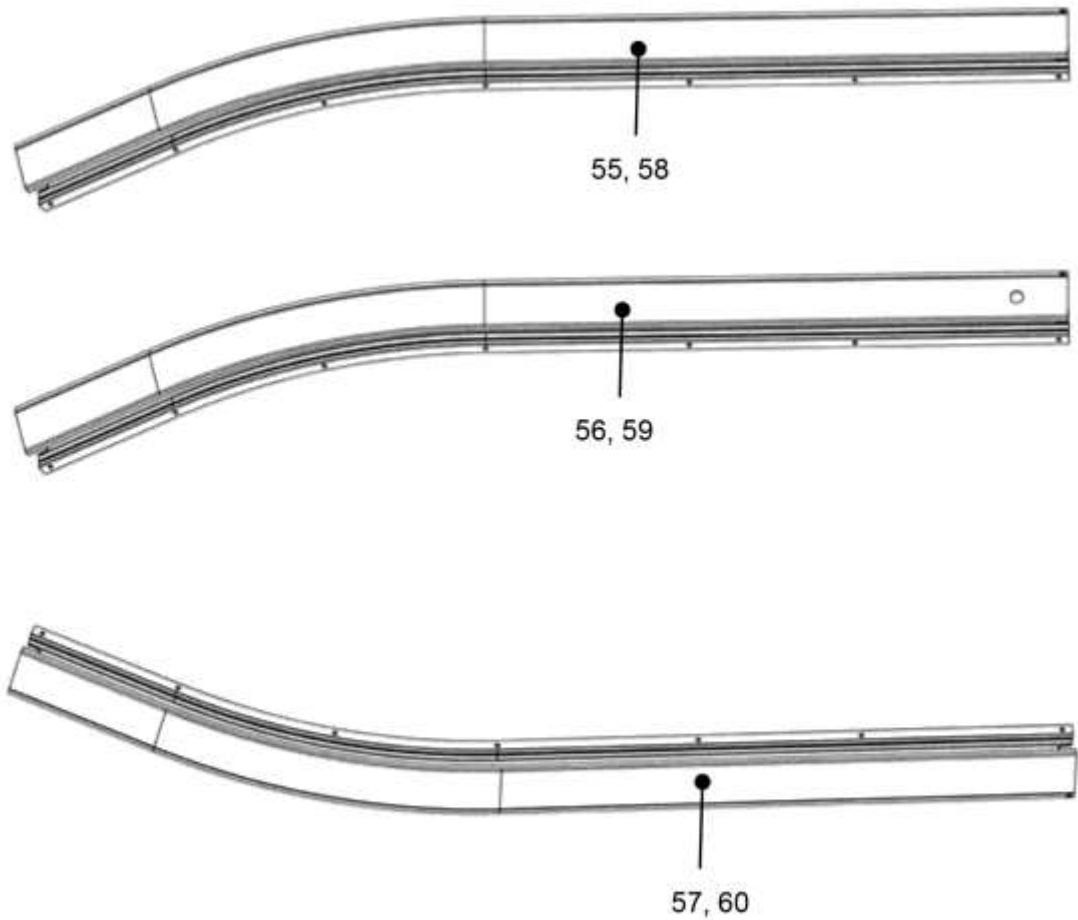


**FOR 508NCE
LL=LOWER LANDING**

DAA26228CC			
REF. No.	PART No.	DESCRIPTION	
49	DAA402KV13	Aluminum FO10, Left Side, LL	2 flat steps ANSI
50	DAA402KV14	W/ NY (W/O Key Switch), Aluminum FO10, Right Side, LL	
51	DAA402KV15	W/O NY (With Key Switch), Aluminum FO10, Right Side, LL	3 flat steps ANSI
52	DAA402KV16	Aluminum FO10, Left Side, LL	
53	DAA402KV17	W/ NY (W/O Key Switch), Aluminum FO10, Right Side, LL	
54	DAA402KV18	W/O NY (With Key Switch), Aluminum FO10, Right Side, LL	

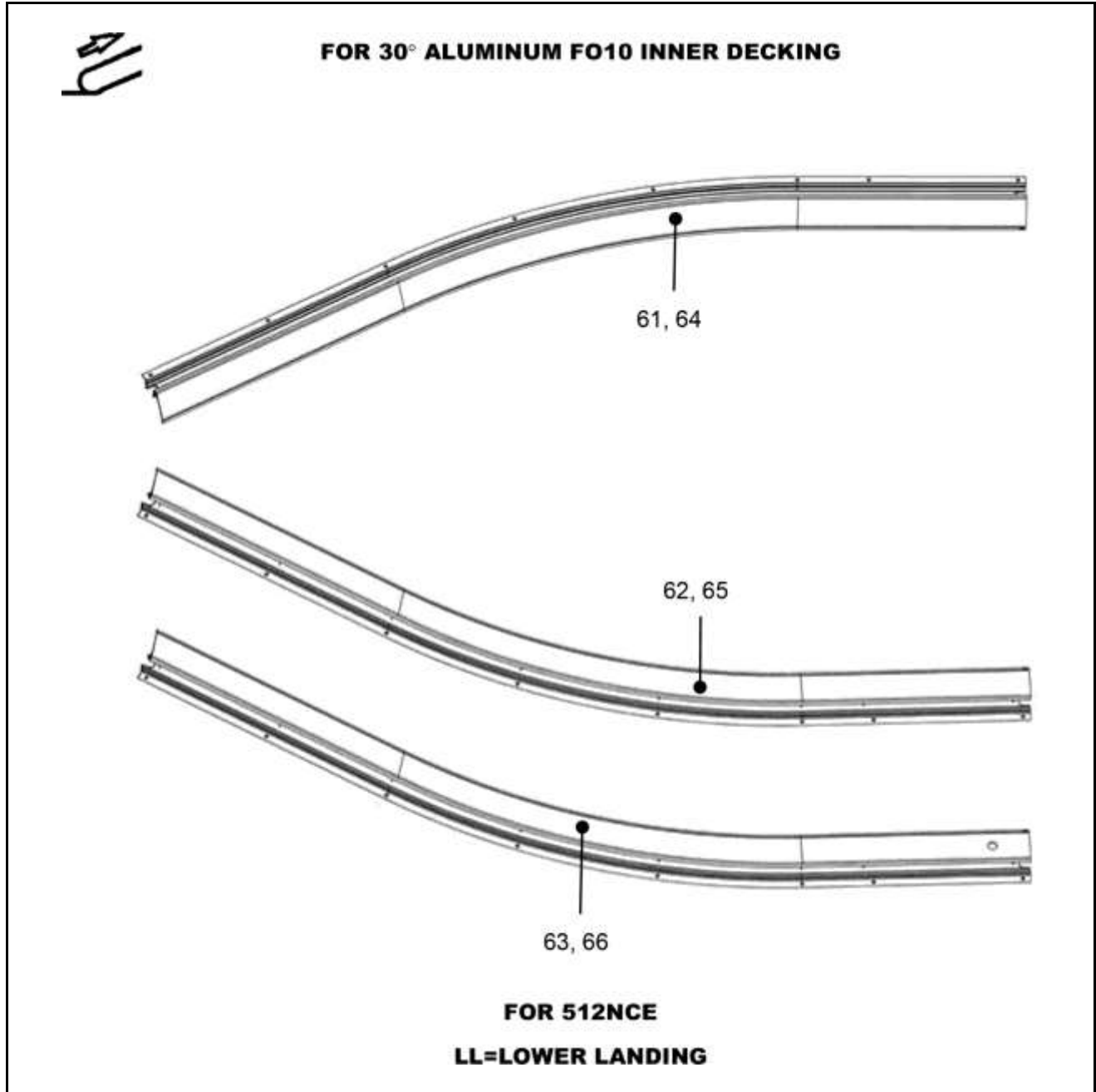
NY

FOR 30° ALUMINUM FO10 INNER DECKING



**FOR 508NCE
UL=UPPER LANDING**

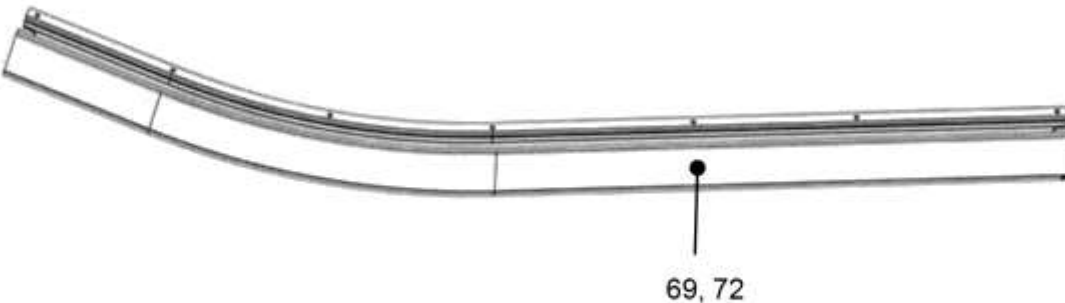
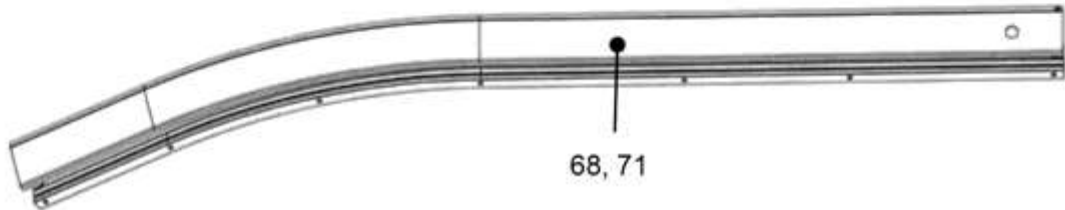
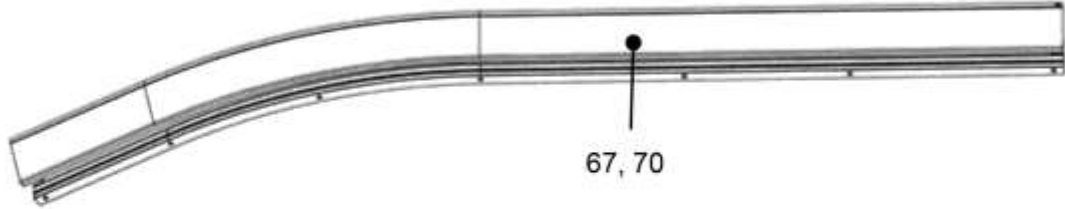
DAA26228CC			
REF. No.	PART No.	DESCRIPTION	
55	DAA402KW13	W/ NY (W/O Key Switch), Aluminum FO10, Left Side, UL	2 flat steps ANSI
56	DAA402KW14	W/O NY (With Key Switch), Aluminum FO10, Left Side, UL	
57	DAA402KW15	Aluminum FO10, Right Side, UL	
58	DAA402KW16	W/ NY (W/O Key Switch), Aluminum FO10, Left Side, UL	3 flat steps ANSI
59	DAA402KW17	W/O NY (With Key Switch), Aluminum FO10, Left Side, UL	
60	DAA402KW18	Aluminum FO10, Right Side, UL	



DAA26228CC			
REF. No.	PART No.	DESCRIPTION	
61	DAA402KV213	Aluminum FO10, Left Side, LL	2 flat steps ANSI
62	DAA402KV214	W/ NY (W/O Key Switch), Aluminum FO10, Right Side, LL	
63	DAA402KV215	W/O NY (With Key Switch), Aluminum FO10, Right Side, LL	
64	DAA402KV216	Aluminum FO10, Left Side, LL	3 flat steps ANSI
65	DAA402KV217	W/ NY (W/O Key Switch), Aluminum FO10, Right Side, LL	
66	DAA402KV218	W/O NY (With Key Switch), Aluminum FO10, Right Side, LL	

NY

FOR 30° ALUMINUM FO10 INNER DECKING

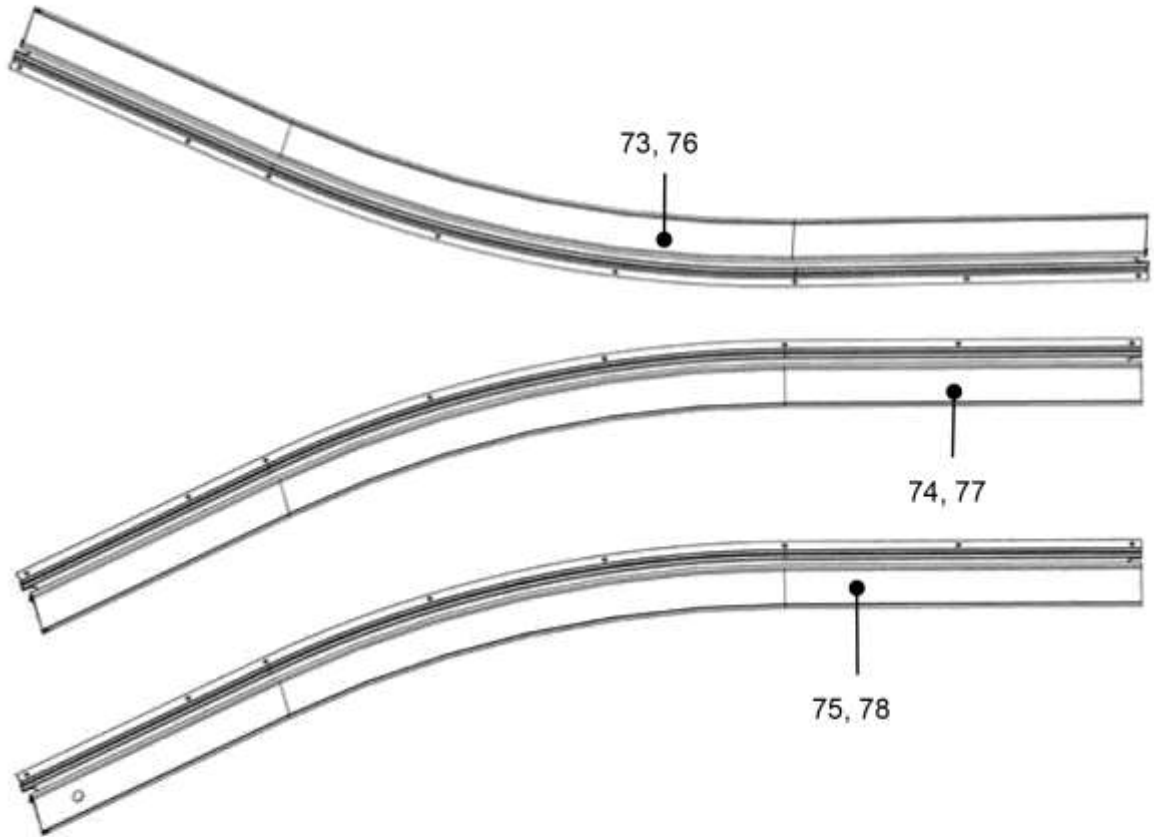


**FOR 512NCE
UL=UPPER LANDING**

DAA26228CC			
REF. No.	PART No.	DESCRIPTION	
67	DAA402KW213	W/ NY (W/O Key Switch), Aluminum FO10, Left Side, UL	2 flat steps ANSI
68	DAA402KW214	W/O NY (With Key Switch), Aluminum FO10, Left Side, UL	
69	DAA402KW215	Aluminum FO10, Right Side, UL	
70	DAA402KW216	W/ NY (W/O Key Switch), Aluminum FO10, Left Side, UL	3 flat steps ANSI
71	DAA402KW217	W/O NY (With Key Switch), Aluminum FO10, Left Side, UL	
72	DAA402KW218	Aluminum FO10, Right Side, UL	



FOR 30° STAINLESS STEEL INNER DECKING



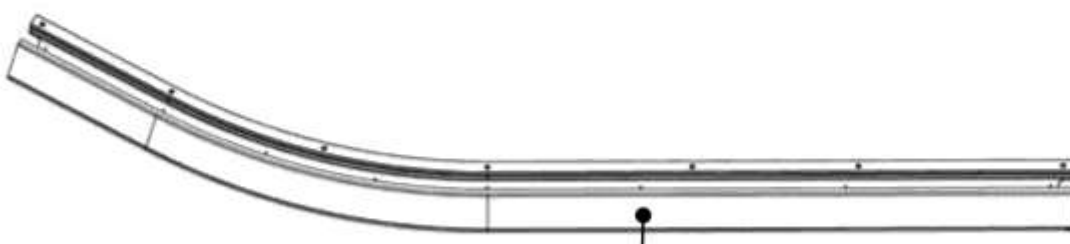
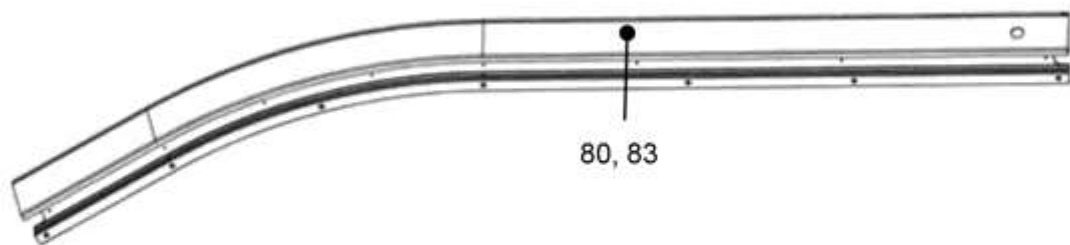
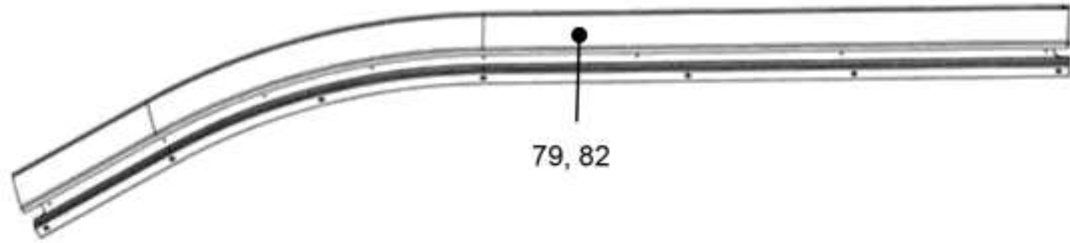
FOR 508NCE

LL=LOWER LANDING

DAA26228CC			
REF. No.	PART No.	DESCRIPTION	
73	DAA402KY1	ST. ST. G2, Left Side, LL	2 flat steps ANSI
74	DAA402KY2	W/ NY (W/O Key Switch), ST. ST. G2, Right Side, LL	
75	DAA402KY3	W/O NY (With Key Switch), ST. ST. G2, Right Side, LL	3 flat steps ANSI
76	DAA402KY4	ST. ST. G2, Left Side, LL	
77	DAA402KY5	W/ NY (W/O Key Switch), ST. ST. G2, Right Side, LL	
78	DAA402KY6	W/O NY (With Key Switch), ST. ST. G2, Right Side, LL	

NY

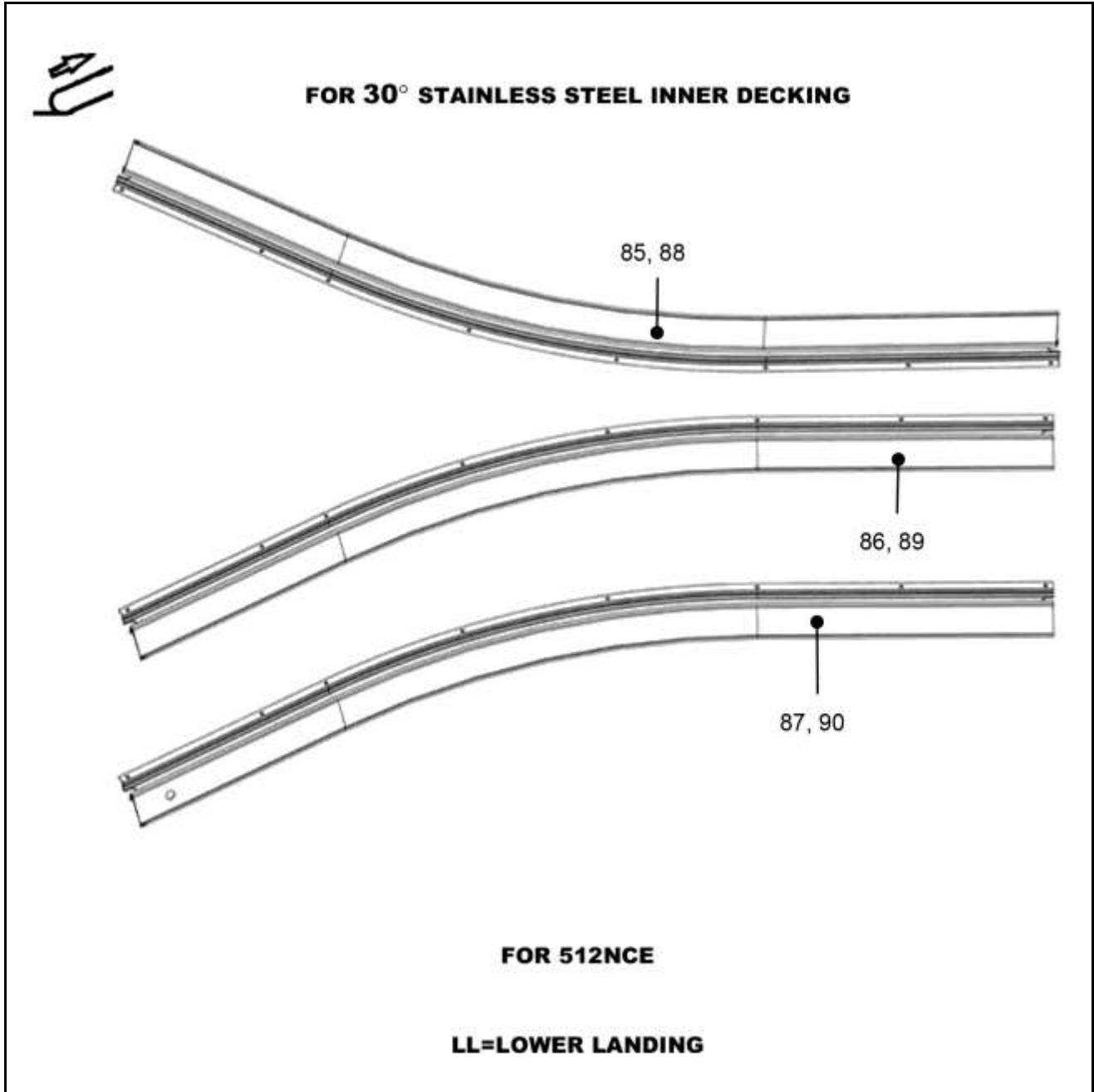
FOR 30° STAINLESS STEEL INNER DECKING



FOR 508NCE

UL=UPPER LANDING

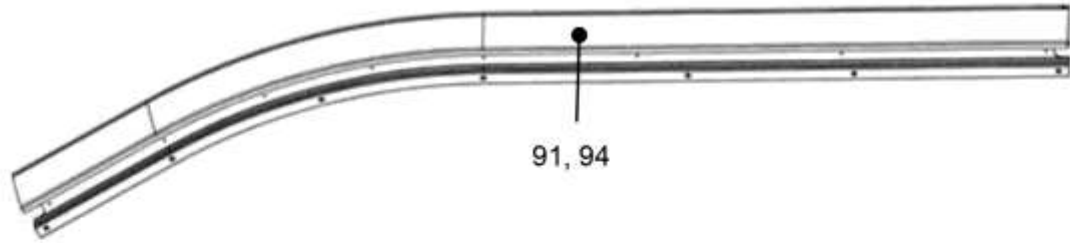
DAA26228CC			
REF. No.	PART No.	DESCRIPTION	
79	DAA402KZ1	W/ NY (W/O Key Switch), ST. ST. G2, Left Side, UL	2 flat steps ANSI
80	DAA402KZ2	W/O NY (With Key Switch), ST. ST. G2, Left Side, UL	
81	DAA402KZ3	ST. ST. G2, Right Side, UL	
82	DAA402KZ4	W/ NY (W/O Key Switch), ST. ST. G2, Left Side, UL	3 flat steps ANSI
83	DAA402KZ5	W/O NY (With Key Switch), ST. ST. G2, Left Side, UL	
84	DAA402KZ6	ST. ST. G2, Right Side, UL	



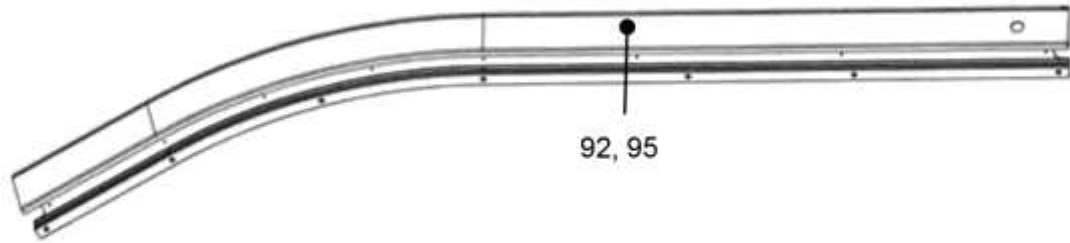
DAA26228CC			
REF. No.	PART No.	DESCRIPTION	
85	DAA402KY7	ST. ST. G2, Left Side, LL	2 flat steps ANSI
86	DAA402KY8	W/ NY (W/O Key Switch), ST. ST. G2, Right Side, LL	
87	DAA402KY9	W/O NY (With Key Switch), ST. ST. G2, Right Side, LL	
88	DAA402KY10	ST. ST. G2, Left Side, LL	3 flat steps ANSI
89	DAA402KY11	W/ NY (W/O Key Switch), ST. ST. G2, Right Side, LL	
90	DAA402KY12	W/O NY (With Key Switch), ST. ST. G2, Right Side, LL	

NY

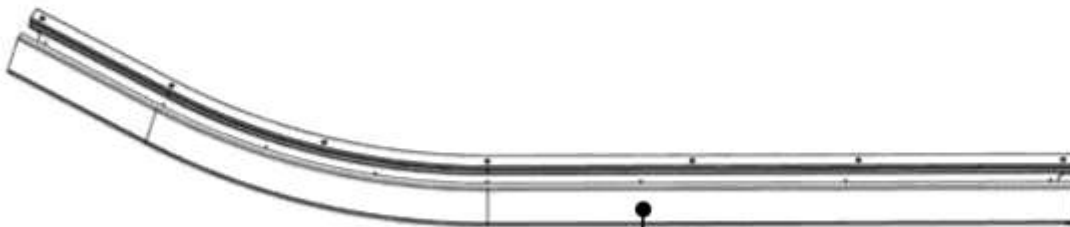
FOR 30° STAINLESS STEEL INNER DECKING



91, 94



92, 95



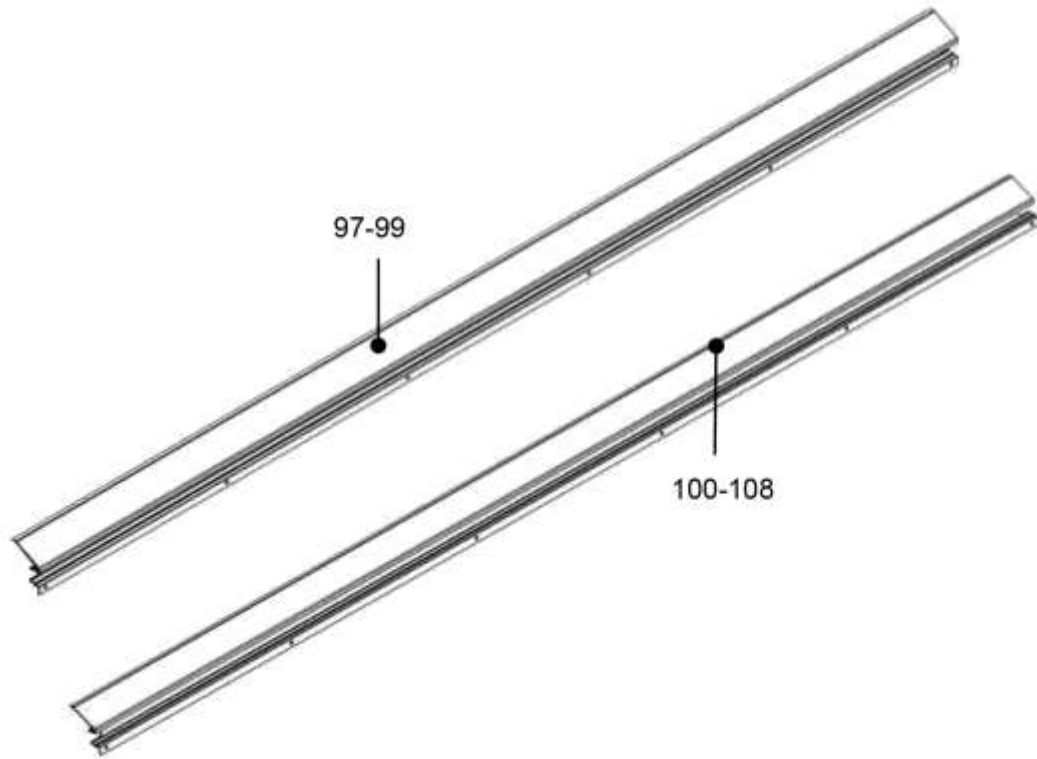
93, 96

FOR 512NCE

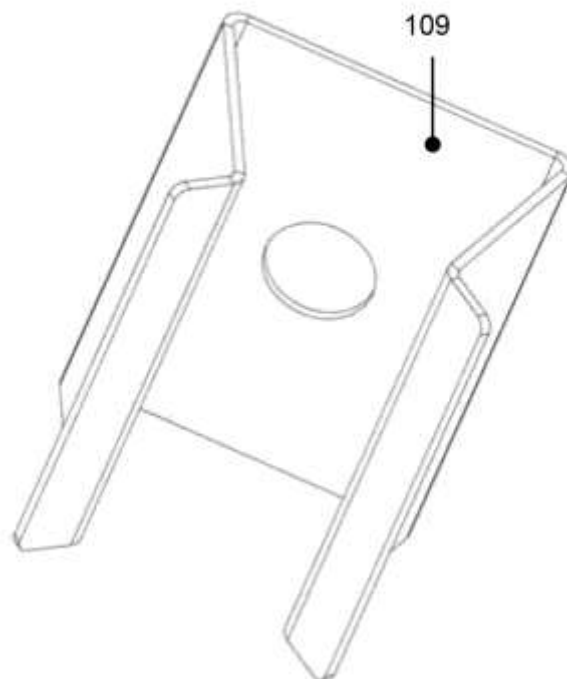
UL=UPPER LANDING

DAA26228CC			
REF. No.	PART No.	DESCRIPTION	
91	DAA402KZ7	W/ NY (W/O Key Switch), ST. ST. G2, Left Side, UL	2 flat steps ANSI
92	DAA402KZ8	W/O NY (With Key Switch), ST. ST. G2, Left Side, UL	
93	DAA402KZ9	ST. ST. G2, Right Side, UL	
94	DAA402KZ10	W/ NY (W/O Key Switch), ST. ST. G2, Left Side, UL	3 flat steps ANSI
95	DAA402KZ11	W/O NY (With Key Switch), ST. ST. G2, Left Side, UL	
96	DAA402KZ12	ST. ST. G2, Right Side, UL	

INNER DECKING

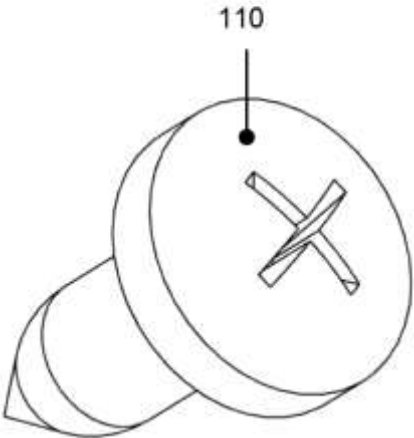


DAA26228CC			
REF. No.	PART No.	DESCRIPTION	
97	DAA402LA1	Inclined Section, Const. Length, L=2960 mm	ST.ST G2
98	DAA402LA3	Inclined Section, Const. Length, L=1960 mm	
99	DAA402LA-V2	Inclined Section, Var. Length, Per. Spec.	
100	DAA402KX1	Inclined Section, Const. Length, L=2960 mm	ALUMINUM POWDER COATING INDOOR ONLY
101	DAA402KX3	Inclined Section, Const. Length, L=1960 mm	
102	DAA402KX-V2	Inclined Section, Var. Length, Per. Spec.	
103	DAA402KX4	Inclined Section, Const. Length, L=2960 mm	ALUMINUM FO7
104	DAA402KX6	Inclined Section, Const. Length, L=1960 mm	
105	DAA402KX-V4	Inclined Section, Var. Length, Per. Spec.	ALUMINUM FO10
106	DAA402KX7	Inclined Section, Const. Length, L=2960 mm	
107	DAA402KX9	Inclined Section, Const. Length, L=1960 mm	
108	DAA402KX-V6	Inclined Section, Var. Length, Per. Spec.	

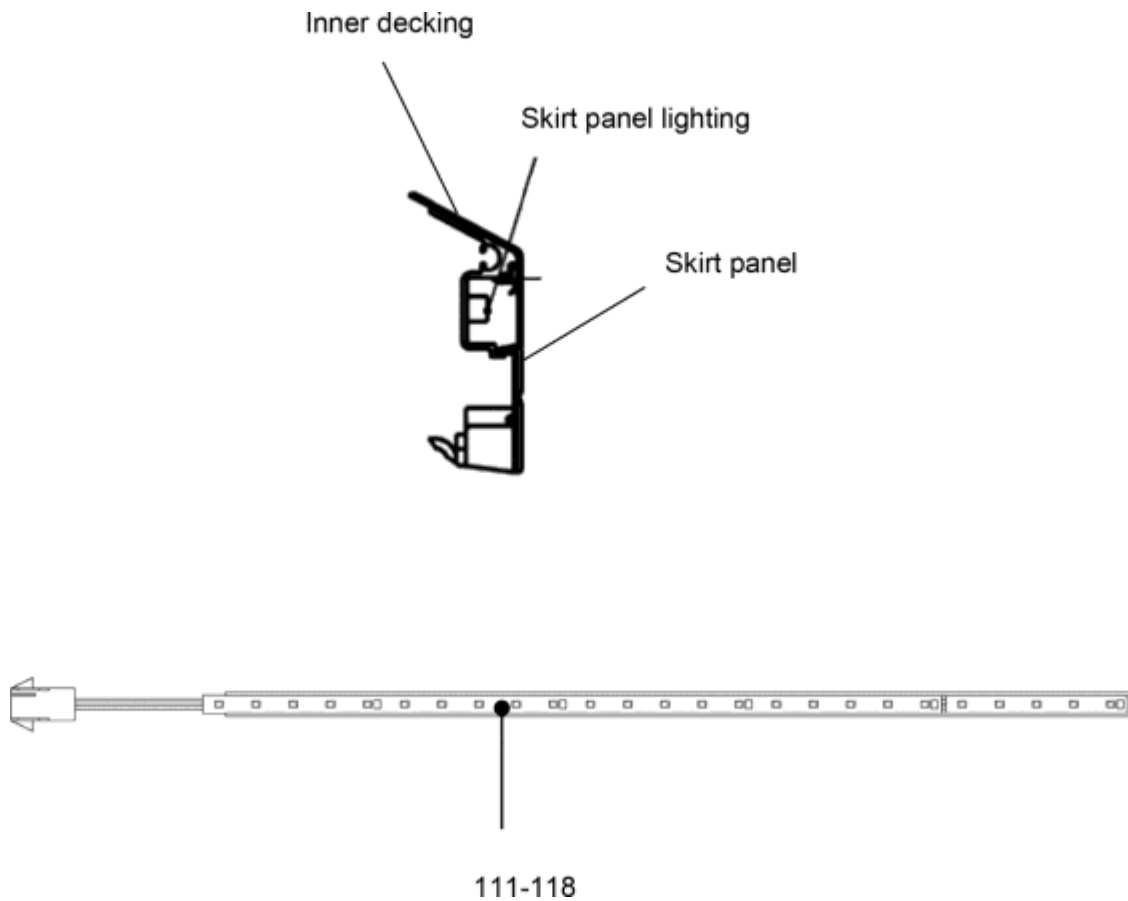
SPRING CLIP

DAA26228CC		
REF. No.	PART No.	DESCRIPTION
109	DAA94D1	Spring Clip

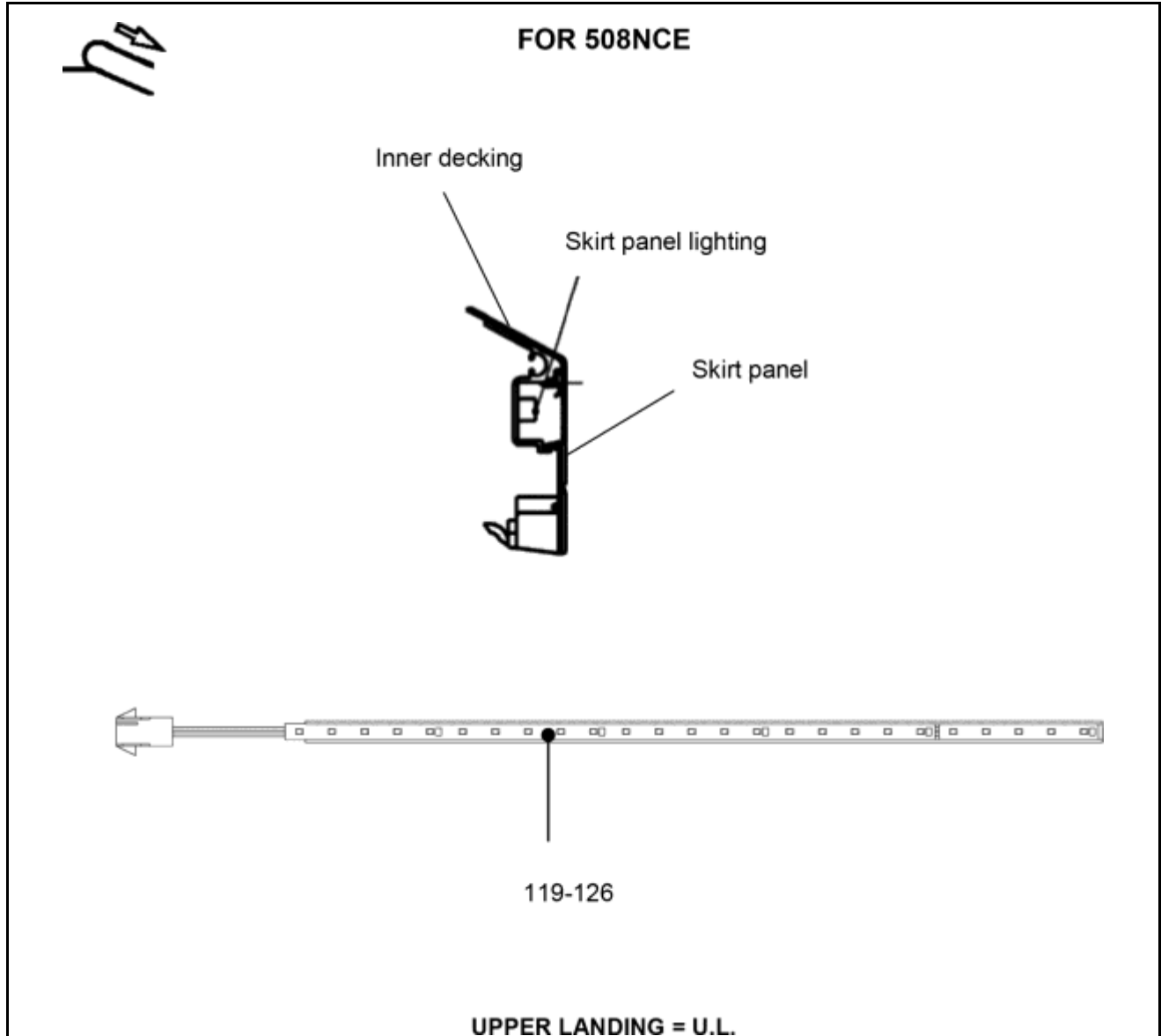
PAN HEAD TAPPING SCREW



DAA26228CC		
REF. No.	PART No.	DESCRIPTION
110	ISO7049ST3.5X9.5-CH-Z	Pan Head Tapping Screw



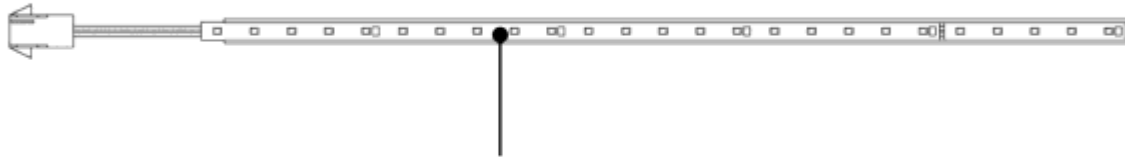
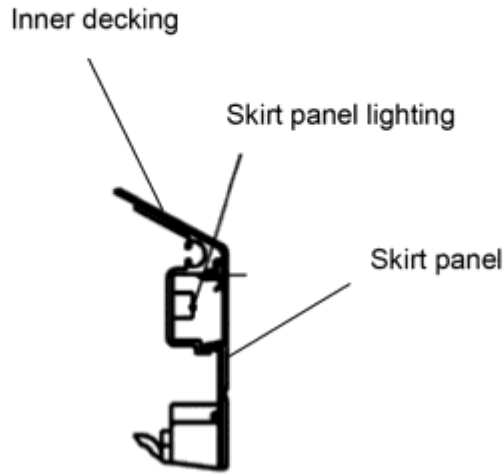
DAA26228CC			
REF. No.	PART No. OR M.L.	DESCRIPTION	
111	DAA424R011	Skirt Panel Lighting for Inclined Section, White	Length: 2960 mm
112	DAA424R012	Skirt Panel Lighting for Inclined Section, Red	
113	DAA424R013	Skirt Panel Lighting for Inclined Section, Blue	
114	DAA424R014	Skirt Panel Lighting for Inclined Section, Green	
115	DAA424R021	Skirt Panel Lighting for Inclined Section, White	Length: 1960 mm
116	DAA424R022	Skirt Panel Lighting for Inclined Section, Red	
117	DAA424R023	Skirt Panel Lighting for Inclined Section, Blue	
118	DAA424R024	Skirt Panel Lighting for Inclined Section, Green	



DAA26228CC			
REF. No.	PART No. OR M.L.	DESCRIPTION	
119	DAA424R031	Skirt Panel Lighting for 3 Flat Steps, U.L., White	Length: 2960 mm
120	DAA424R032	Skirt Panel Lighting for 3 Flat Steps, U.L., Red	
121	DAA424R033	Skirt Panel Lighting for 3 Flat Steps, U.L., Blue	
122	DAA424R034	Skirt Panel Lighting for 3 Flat Steps, U.L., Green	
123	DAA424R041	Skirt Panel Lighting for 2 Flat Steps, U.L., White	Length: 2560 mm
124	DAA424R042	Skirt Panel Lighting for 2 Flat Steps, U.L., Red	
125	DAA424R043	Skirt Panel Lighting for 2 Flat Steps, U.L., Blue	
126	DAA424R044	Skirt Panel Lighting for 2 Flat Steps, U.L., Green	



FOR 508NCE



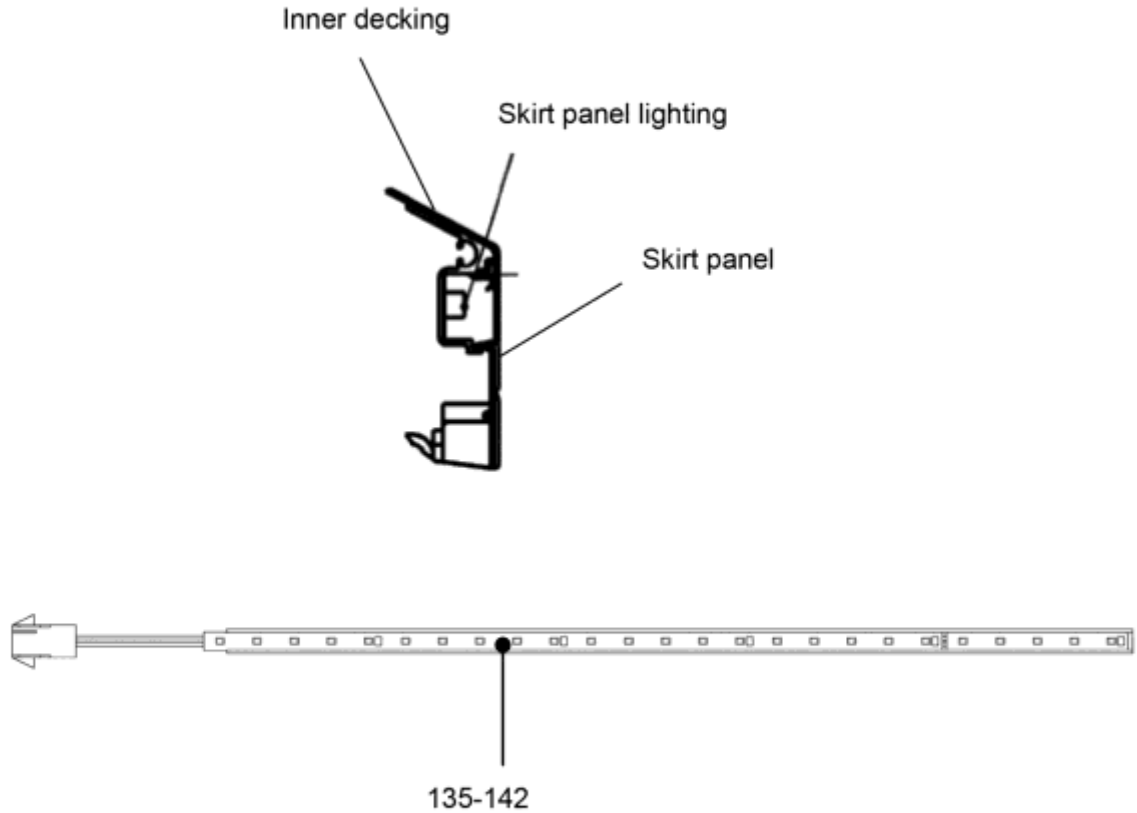
127-134

LOWER LANDING = L.L.

DAA26228CC			
REF. No.	PART No. OR M.L.	DESCRIPTION	
127	DAA424R041	Skirt Panel Lighting for 3 Flat Steps, L.L., White	Length: 2560 mm
128	DAA424R042	Skirt Panel Lighting for 3 Flat Steps, L.L., Red	
129	DAA424R043	Skirt Panel Lighting for 3 Flat Steps, L.L., Blue	
130	DAA424R044	Skirt Panel Lighting for 3 Flat Steps, L.L., Green	
131	DAA424R051	Skirt Panel Lighting for 2 Flat Steps, L.L., White	Length: 2160 mm
132	DAA424R052	Skirt Panel Lighting for 2 Flat Steps, L.L., Red	
133	DAA424R053	Skirt Panel Lighting for 2 Flat Steps, L.L., Blue	
134	DAA424R054	Skirt Panel Lighting for 2 Flat Steps, L.L., Green	

74

FOR 512NCE



Length 2613mm for 2 flat steps

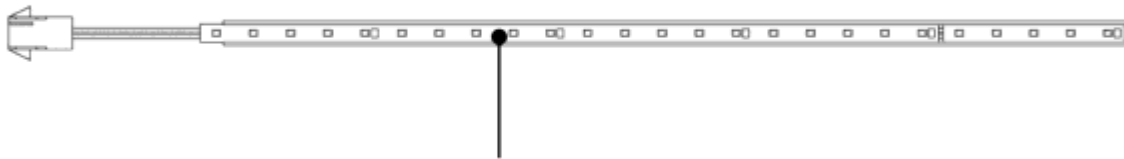
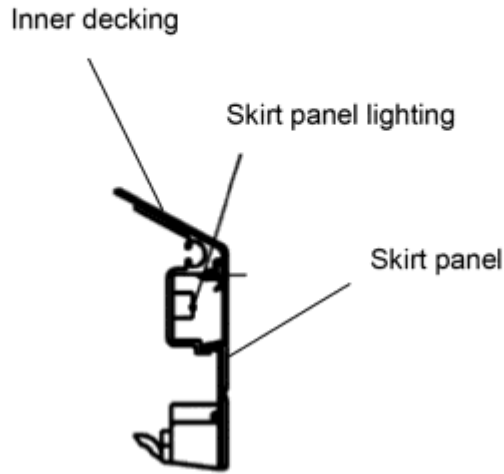
Length 2613mm+400mm for 3 flat steps

UPPER LANDING = U.L.

DAA26228CC			
REF. No.	PART No. OR M.L.	DESCRIPTION	
135	DAA424R081	Skirt Panel Lighting for 2/3 Flat Steps, U.L., White	Length: 2613 mm
136	DAA424R082	Skirt Panel Lighting for 2/3 Flat Steps, U.L., Red	
137	DAA424R083	Skirt Panel Lighting for 2/3 Flat Steps, U.L., Blue	
138	DAA424R084	Skirt Panel Lighting for 2/3 Flat Steps, U.L., Green	
139	DAA424R091	Skirt Panel Lighting for 3 Flat Steps, U.L., White	Length: 400 mm
140	DAA424R092	Skirt Panel Lighting for 3 Flat Steps, U.L., Red	
141	DAA424R093	Skirt Panel Lighting for 3 Flat Steps, U.L., Blue	
142	DAA424R094	Skirt Panel Lighting for 3 Flat Steps, U.L., Green	



FOR 512NCE



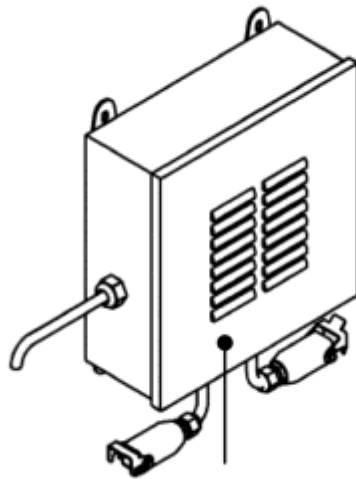
143-150

LOWER LANDING = L.L.

DAA26228CC			
REF. No.	PART No. OR M.L.	DESCRIPTION	
143	DAA424R061	Skirt Panel Lighting for 2 Flat Steps, L.L., White	Length: 2297 mm
144	DAA424R062	Skirt Panel Lighting for 2 Flat Steps, L.L., Red	
145	DAA424R063	Skirt Panel Lighting for 2 Flat Steps, L.L., Blue	
146	DAA424R064	Skirt Panel Lighting for 2 Flat Steps, L.L., Green	
147	DAA424R071	Skirt Panel Lighting for 3 Flat Steps, L.L., White	Length: 2692 mm
148	DAA424R072	Skirt Panel Lighting for 3 Flat Steps, L.L., Red	
149	DAA424R073	Skirt Panel Lighting for 3 Flat Steps, L.L., Blue	
150	DAA424R074	Skirt Panel Lighting for 3 Flat Steps, L.L., Green	

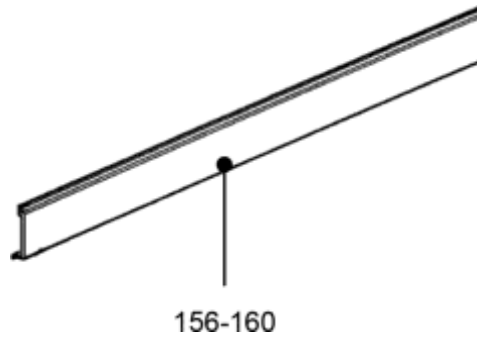






151-154



155

DAA26228CC			
REF. No.	PART No. OR M.L.	DESCRIPTION	
151	DAA424R-V011	Skirt Panel Lighting for Inclined Section, White	Variable Length Per spec.
152	DAA424R-V 012	Skirt Panel Lighting for Inclined Section, Red	
153	DAA424R-V 013	Skirt Panel Lighting for Inclined Section, Blue	
154	DAA424R-V 014	Skirt Panel Lighting for Inclined Section, Green	
155	DAA26220W2	Skirt Panel Lighting Power Supply Box	



DAA26228CC			
REF. No.	PART No. OR M.L.	DESCRIPTION	
156	GBA402BMM1	Skirt Panel Lighting Cover for Upper Landing	Left side
157	GBA402BMM2	Skirt Panel Lighting Cover for Upper Landing	Right side
158	DAA402EB1 	Skirt Panel Lighting Cover for Lower Landing	Left side
	GBA402BML1 		
159	DAA402EB2 	Skirt Panel Lighting Cover for Lower Landing	Right side
	GBA402BML2 		
160	GBA50AGP1	Skirt Panel Lighting Cover for Inclined Section; & For Both Landing of 508NCE 3 Flat Steps and 512NCE	