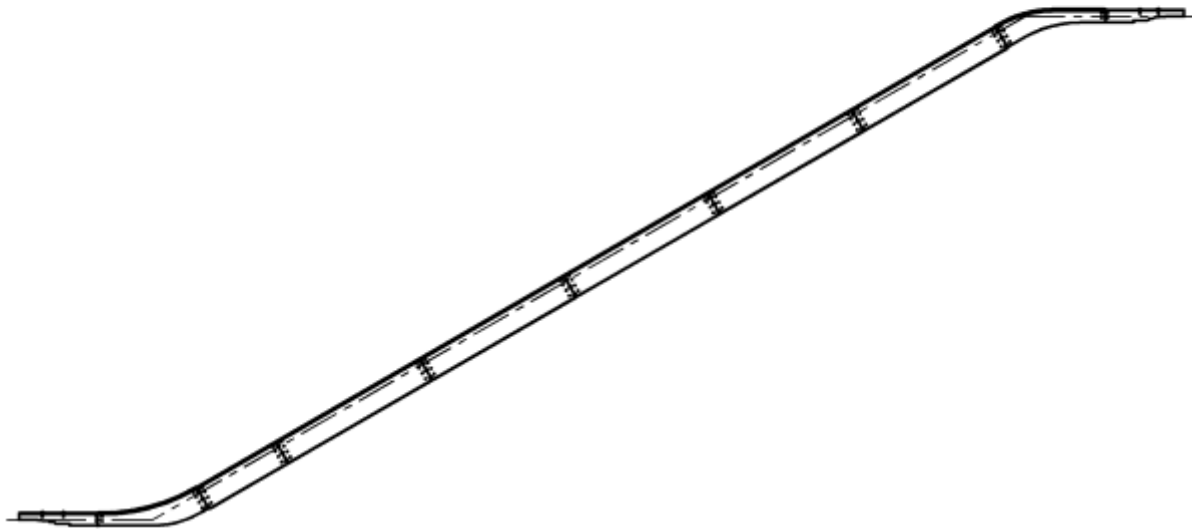


**512NCE / 515NPE-S /
515NPE-L Escalator Opaque
Balustrade Skirt Panel**

Spare Parts Leaflet

57-DAA26228CG

March 5, 2010 / Page 1 of 48



Unpublished Work—© Otis Elevator Co.; 2010

OTIS

Safety First!

ESCALATOR ENGINEERING
Otis Elevator Company
SIT GUANGZHOU

Leaflet Description

Opaque Balustrade Skirt Panel with Lighting (512NCE/515NPE-S/515NPE-L)

Leaflet Revisions

Date Revised	Subject Matter Expert	Reason for Revision
Oct.30, 2009	Ye Ke	Release
Mar. 05, 2010	Wang, Shouhong	Parts added page 41-48.

Related Drawings

Drawing No.	Title	Drawing No.	Title
DAA26228CG	Opaque Balustrade Skirt Panel with Lighting		

Related Documents

Document ID	Title
DAA 27076FS	Opaque Balustrade Skirt Panel with Lighting

Subject Matter Expert

Name	Department
Ye Ke	SIT Guangzhou

About Spare Parts Leaflets...

This document lists the lowest replaceable units (LRUs) for the standard version of the product. The LRUs are chosen by a team of Otis associates representing engineering and manufacturing.

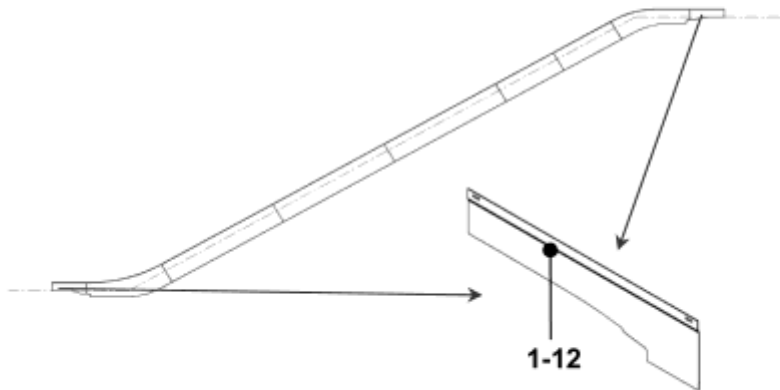
While goal of this document is to make parts identification as easy as possible, the document cannot be all-inclusive. Elevator and escalator contracts classified as "special" or "custom" are not addressed here. For such contracts, please refer to specified information, the contract folder, TIPs, Field Education Articles, Construction Letters, etc. for further information.

If you have any suggestions about this document, please contact the subject matter expert listed on this page.

Escalator Opaque Balustrade Skirt Panel

- ◇ EN115 Code
- ◇ Outdoor
- ◇ 30° & 35°
- ◇ Surface finished: HAIRLINE G2
- ◇ Without Comb Lighting + With Skirt Panel Lighting

First Skirt Panel



Notes:

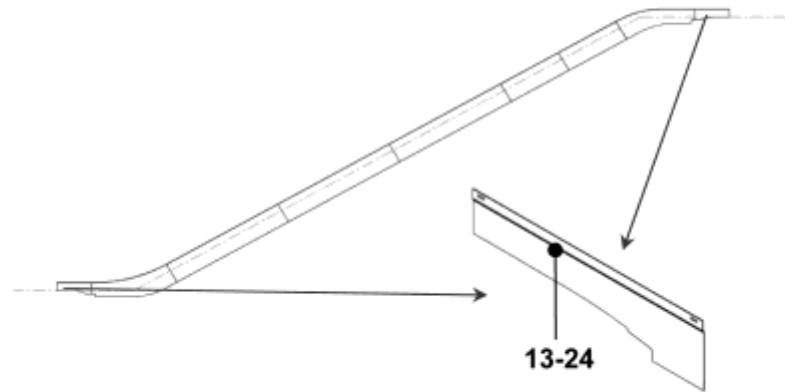
The 'left side' and 'right side' is defined when passenger stands at the lower landing, facing the escalator.

DAA26228CG				
REF. No.	PART No.	DESCRIPTION		
1	DAA438NA001	First Skirt Panel	Upper Landing, Left	
2	DAA438NA002	First Skirt Panel	Upper Landing, Right	2 Flat steps
3	DAA438NA003	First Skirt Panel	Lower Landing, Right	
4	DAA438NA004	First Skirt Panel	Lower Landing, Left	
5	DAA438NA005	First Skirt Panel	Upper Landing, Left	3 Flat steps
6	DAA438NA006	First Skirt Panel	Upper Landing, Right	
7	DAA438NA007	First Skirt Panel	Lower Landing, Right	
8	DAA438NA008	First Skirt Panel	Lower Landing, Left	
9	DAA438NA009	First Skirt Panel	Upper Landing, Left	4 Flat steps
10	DAA438NA010	First Skirt Panel	Upper Landing, Right	
11	DAA438NA011	First Skirt Panel	Lower Landing, Right	
12	DAA438NA012	First Skirt Panel	Lower Landing, Left	

Escalator Opaque Balustrade Skirt Panel

- ◇ EN115 Code
- ◇ Indoor
- ◇ 30° & 35°
- ◇ Surface finished: HAIRLINE G2
- ◇ Without Comb Lighting + With Skirt Panel Lighting

First Skirt Panel



Notes:

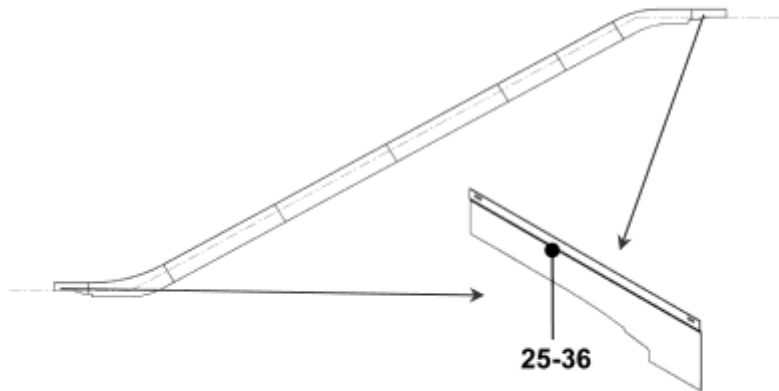
The 'left side' and 'right side' is defined when passenger stands at the lower landing, facing the escalator.

DAA26228CG				
REF. No.	PART No.	DESCRIPTION		
13	DAA438NA101	First Skirt Panel	Upper Landing, Left	
14	DAA438NA102	First Skirt Panel	Upper Landing, Right	2 Flat steps
15	DAA438NA103	First Skirt Panel	Lower Landing, Right	
16	DAA438NA104	First Skirt Panel	Lower Landing, Left	
17	DAA438NA105	First Skirt Panel	Upper Landing, Left	
18	DAA438NA106	First Skirt Panel	Upper Landing, Right	3 Flat steps
19	DAA438NA107	First Skirt Panel	Lower Landing, Right	
20	DAA438NA108	First Skirt Panel	Lower Landing, Left	
21	DAA438NA109	First Skirt Panel	Upper Landing, Left	
22	DAA438NA110	First Skirt Panel	Upper Landing, Right	4 Flat steps
23	DAA438NA111	First Skirt Panel	Lower Landing, Right	
24	DAA438NA112	First Skirt Panel	Lower Landing, Left	

Escalator Opaque Balustrade Skirt Panel

- ◇ EN115 Code
- ◇ Indoor & Outdoor
- ◇ 30° & 35°
- ◇ Surface finished: RELIUS I 536 COATING BLACK
- ◇ Without Comb Lighting + With Skirt Panel Lighting

First Skirt Panel



Notes:

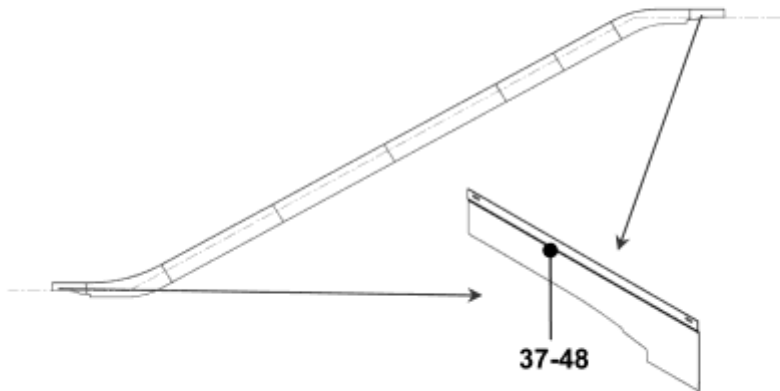
The 'left side' and 'right side' is defined when passenger stands at the lower landing, facing the escalator.

DAA26228CG				
REF. No.	PART No.	DESCRIPTION		
25	DAA438NA201	First Skirt Panel	Upper Landing, Left	
26	DAA438NA202	First Skirt Panel	Upper Landing, Right	2 Flat steps
27	DAA438NA203	First Skirt Panel	Lower Landing, Right	
28	DAA438NA204	First Skirt Panel	Lower Landing, Left	
29	DAA438NA205	First Skirt Panel	Upper Landing, Left	3 Flat steps
30	DAA438NA206	First Skirt Panel	Upper Landing, Right	
31	DAA438NA207	First Skirt Panel	Lower Landing, Right	
32	DAA438NA208	First Skirt Panel	Lower Landing, Left	
33	DAA438NA209	First Skirt Panel	Upper Landing, Left	4 Flat steps
34	DAA438NA210	First Skirt Panel	Upper Landing, Right	
35	DAA438NA211	First Skirt Panel	Lower Landing, Right	
36	DAA438NA212	First Skirt Panel	Lower Landing, Left	

Escalator Opaque Balustrade Skirt Panel

- ◇ EN115 Code
- ◇ Indoor & Outdoor
- ◇ 30° & 35°
- ◇ Surface finished: HAIRLINE G2 RELIU I 536 COATING TRANSPARENT
- ◇ Without Comb Lighting + With Skirt Panel Lighting

First Skirt Panel



Notes:

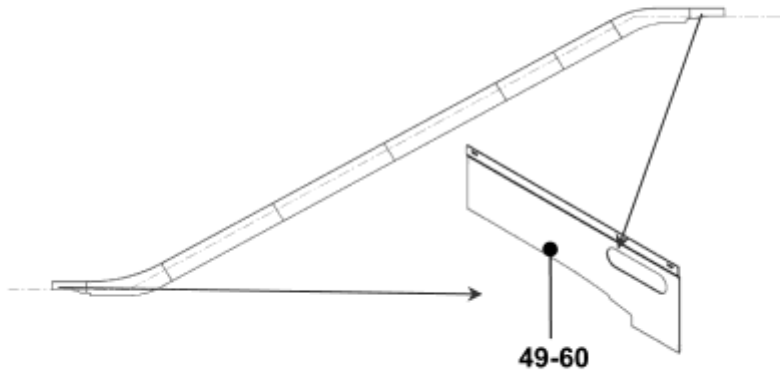
The 'left side' and 'right side' is defined when passenger stands at the lower landing, facing the escalator.

DAA26228CG			
REF. No.	PART No.	DESCRIPTION	
37	DAA438NA301	First Skirt Panel	Upper Landing, Left
38	DAA438NA302	First Skirt Panel	Upper Landing, Right
39	DAA438NA303	First Skirt Panel	Lower Landing, Right
40	DAA438NA304	First Skirt Panel	Lower Landing, Left
41	DAA438NA305	First Skirt Panel	Upper Landing, Left
42	DAA438NA306	First Skirt Panel	Upper Landing, Right
43	DAA438NA307	First Skirt Panel	Lower Landing, Right
44	DAA438NA308	First Skirt Panel	Lower Landing, Left
45	DAA438NA309	First Skirt Panel	Upper Landing, Left
46	DAA438NA310	First Skirt Panel	Upper Landing, Right
47	DAA438NA311	First Skirt Panel	Lower Landing, Right
48	DAA438NA312	First Skirt Panel	Lower Landing, Left

Escalator Opaque Balustrade Skirt Panel

- ◇ EN115 Code
- ◇ Outdoor Only
- ◇ 30° & 35°
- ◇ Surface finished: HAIRLINE G2
- ◇ With Comb Lighting + With Skirt Panel Lighting

First Skirt Panel



Notes:

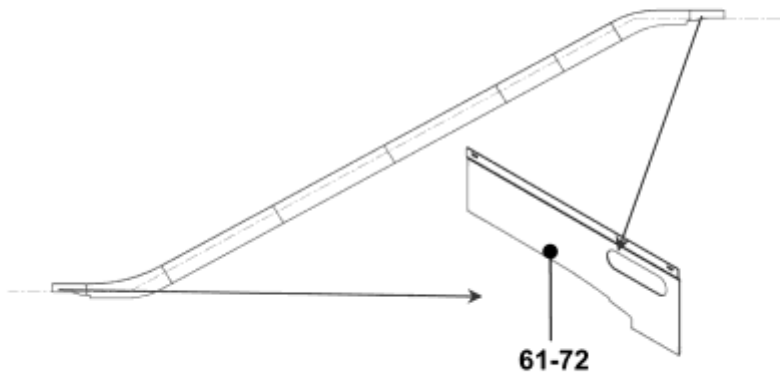
The 'left side' and 'right side' is defined when passenger stands at the lower landing, facing the escalator.

DAA26228CG			
REF. No.	PART No.	DESCRIPTION	
49	DAA438NA501	First Skirt Panel	Upper Landing, Left
50	DAA438NA502	First Skirt Panel	Upper Landing, Right
51	DAA438NA503	First Skirt Panel	Lower Landing, Right
52	DAA438NA504	First Skirt Panel	Lower Landing, Left
53	DAA438NA505	First Skirt Panel	Upper Landing, Left
54	DAA438NA506	First Skirt Panel	Upper Landing, Right
55	DAA438NA507	First Skirt Panel	Lower Landing, Right
56	DAA438NA508	First Skirt Panel	Lower Landing, Left
57	DAA438NA509	First Skirt Panel	Upper Landing, Left
58	DAA438NA510	First Skirt Panel	Upper Landing, Right
59	DAA438NA511	First Skirt Panel	Lower Landing, Right
60	DAA438NA512	First Skirt Panel	Lower Landing, Left

Escalator Opaque Balustrade Skirt Panel

- ◇ EN115 Code
- ◇ Indoor Only
- ◇ 30° & 35°
- ◇ Surface finished: HAIRLINE G2
- ◇ With Comb Lighting + With Skirt Panel Lighting

First Skirt Panel



Notes:

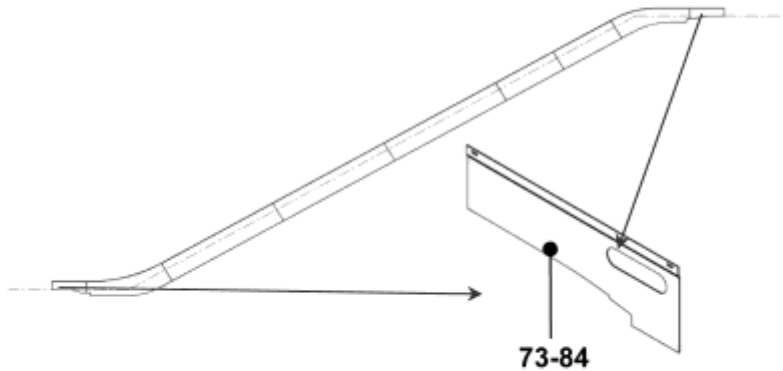
The 'left side' and 'right side' is defined when passenger stands at the lower landing, facing the escalator.

DAA26228CG				
REF. No.	PART No.	DESCRIPTION		
61	DAA438NA601	First Skirt Panel	Upper Landing, Left	
62	DAA438NA602	First Skirt Panel	Upper Landing, Right	2 Flat steps
63	DAA438NA603	First Skirt Panel	Lower Landing, Right	
64	DAA438NA604	First Skirt Panel	Lower Landing, Left	
65	DAA438NA605	First Skirt Panel	Upper Landing, Left	
66	DAA438NA606	First Skirt Panel	Upper Landing, Right	3 Flat steps
67	DAA438NA607	First Skirt Panel	Lower Landing, Right	
68	DAA438NA608	First Skirt Panel	Lower Landing, Left	
69	DAA438NA609	First Skirt Panel	Upper Landing, Left	
70	DAA438NA610	First Skirt Panel	Upper Landing, Right	4 Flat steps
71	DAA438NA611	First Skirt Panel	Lower Landing, Right	
72	DAA438NA612	First Skirt Panel	Lower Landing, Left	

Escalator Opaque Balustrade Skirt Panel

- ◇ EN115 Code
- ◇ Indoor & Outdoor
- ◇ 30° & 35°
- ◇ Surface finished: RELIUS I 536 COATING BLACK
- ◇ With Comb Lighting + With Skirt Panel Lighting

First Skirt Panel



Notes:

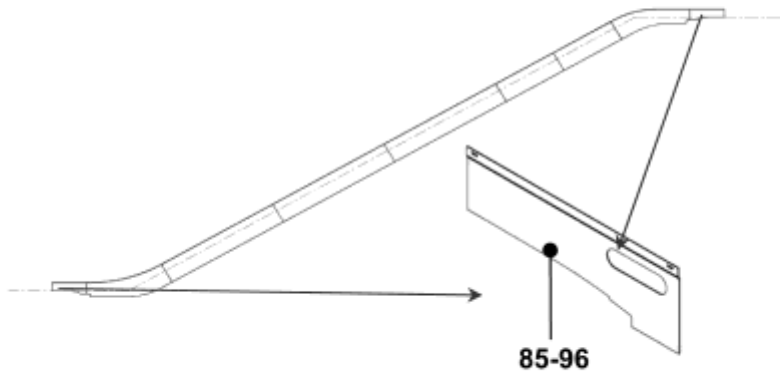
The 'left side' and 'right side' is defined when passenger stands at the lower landing, facing the escalator.

DAA26228CG				
REF. No.	PART No.	DESCRIPTION		
73	DAA438NA701	First Skirt Panel	Upper Landing, Left	
74	DAA438NA702	First Skirt Panel	Upper Landing, Right	2 Flat steps
75	DAA438NA703	First Skirt Panel	Lower Landing, Right	
76	DAA438NA704	First Skirt Panel	Lower Landing, Left	
77	DAA438NA705	First Skirt Panel	Upper Landing, Left	3 Flat steps
78	DAA438NA706	First Skirt Panel	Upper Landing, Right	
79	DAA438NA707	First Skirt Panel	Lower Landing, Right	
80	DAA438NA708	First Skirt Panel	Lower Landing, Left	4 Flat steps
81	DAA438NA709	First Skirt Panel	Upper Landing, Left	
82	DAA438NA710	First Skirt Panel	Upper Landing, Right	
83	DAA438NA711	First Skirt Panel	Lower Landing, Right	
84	DAA438NA712	First Skirt Panel	Lower Landing, Left	

Escalator Opaque Balustrade Skirt Panel

- ◇ EN115 Code
- ◇ Indoor & Outdoor
- ◇ 30° & 35°
- ◇ Surface finished: HAIRLINE G2 RELIU I 536 COATING TRANSPARENT
- ◇ With Comb Lighting + With Skirt Panel Lighting

First Skirt Panel



Notes:

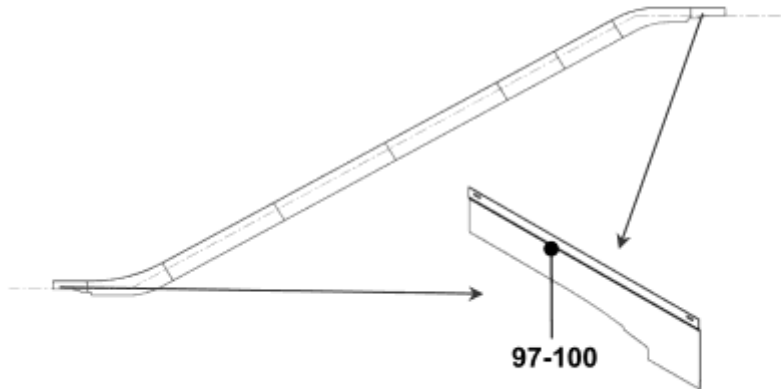
The 'left side' and 'right side' is defined when passenger stands at the lower landing, facing the escalator.

DAA26228CG		
REF. No.	PART No.	DESCRIPTION
85	DAA438NA801	First Skirt Panel Upper Landing, Left
86	DAA438NA802	First Skirt Panel Upper Landing, Right
87	DAA438NA803	First Skirt Panel Lower Landing, Right
88	DAA438NA804	First Skirt Panel Lower Landing, Left
89	DAA438NA805	First Skirt Panel Upper Landing, Left
90	DAA438NA806	First Skirt Panel Upper Landing, Right
91	DAA438NA807	First Skirt Panel Lower Landing, Right
92	DAA438NA808	First Skirt Panel Lower Landing, Left
93	DAA438NA809	First Skirt Panel Upper Landing, Left
94	DAA438NA810	First Skirt Panel Upper Landing, Right
95	DAA438NA811	First Skirt Panel Lower Landing, Right
96	DAA438NA812	First Skirt Panel Lower Landing, Left

Escalator Opaque Balustrade Skirt Panel

- ◇ ANSI Code
- ◇ Indoor & Outdoor
- ◇ 30° & 35°
- ◇ Surface Finished: RELIUS I 536 COATING BLACK
- ◇ Without Comb Lighting + With Skirt Panel Lighting

First Skirt Panel



Notes:

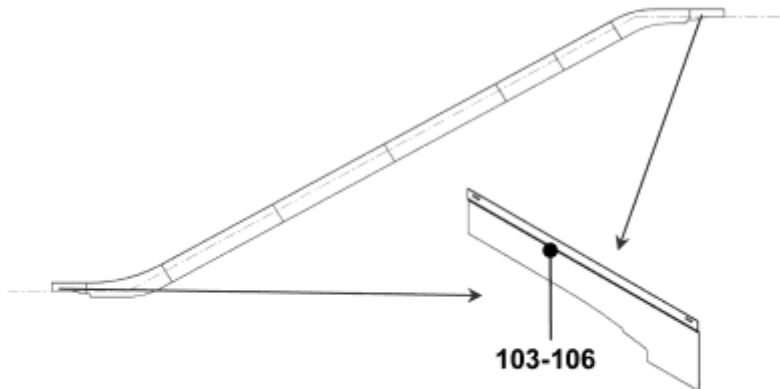
The 'left side' and 'right side' is defined when passenger stands at the lower landing, facing the escalator.

DAA26228CG			
REF. No.	PART No.	DESCRIPTION	
97	DAA438NA401	First Skirt Panel	Upper Landing, Left
		First Skirt Panel	Lower Landing, Right
98	DAA438NA402	First Skirt Panel	Upper Landing, Right
		First Skirt Panel	Lower Landing, Left
99	DAA438NA403	First Skirt Panel	Upper Landing, Left
		First Skirt Panel	Lower Landing, Right
100	DAA438NA404	First Skirt Panel	Upper Landing, Right
		First Skirt Panel	Lower Landing, Left

Escalator Opaque Balustrade Skirt Panel

- ◇ ANSI Code
- ◇ Indoor & Outdoor
- ◇ 30° & 35°
- ◇ Surface Finished: HAIRLINE G2 RELI U 536 COATING TRANSPARENT
- ◇ Without Comb Lighting + With Skirt Panel Lighting

First Skirt Panel



Notes:

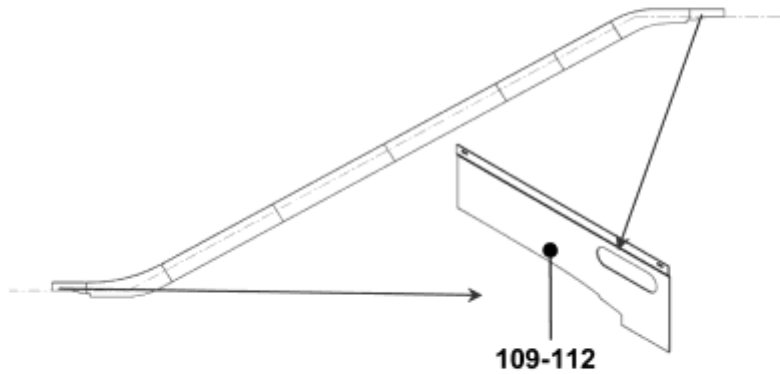
The 'left side' and 'right side' is defined when passenger stands at the lower landing, facing the escalator.

DAA26228CG				
REF. No.	PART No.	DESCRIPTION		
103	DAA438NA407	First Skirt Panel	Upper Landing, Left	2 Flat steps
		First Skirt Panel	Lower Landing, Right	
104	DAA438NA408	First Skirt Panel	Upper Landing, Right	
		First Skirt Panel	Lower Landing, Left	
105	DAA438NA409	First Skirt Panel	Upper Landing, Left	3 Flat steps
		First Skirt Panel	Lower Landing, Right	
106	DAA438NA410	First Skirt Panel	Upper Landing, Right	
		First Skirt Panel	Lower Landing, Left	

Escalator Opaque Balustrade Skirt Panel

- ◇ ANSI Code
- ◇ Indoor & Outdoor
- ◇ 30° & 35°
- ◇ Surface Finished: RELIUS I 536 COATING BLACK
- ◇ With Comb Lighting + With Skirt Panel Lighting

First Skirt Panel



Notes:

The 'left side' and 'right side' is defined when passenger stands at the lower landing, facing the escalator.

DAA26228CG			
REF. No.	PART No.	DESCRIPTION	
109	DAA438NA901	First Skirt Panel	Upper Landing, Left
		First Skirt Panel	Lower Landing, Right
110	DAA438NA902	First Skirt Panel	Upper Landing, Right
		First Skirt Panel	Lower Landing, Left
111	DAA438NA903	First Skirt Panel	Upper Landing, Left
		First Skirt Panel	Lower Landing, Right
112	DAA438NA904	First Skirt Panel	Upper Landing, Right
		First Skirt Panel	Lower Landing, Left

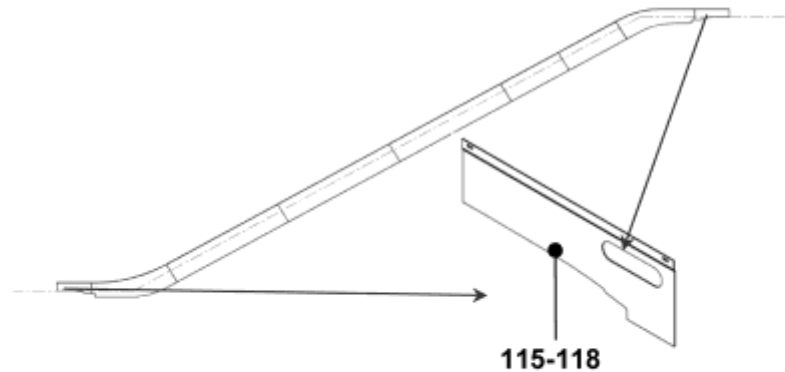
2 Flat steps

3 Flat steps

Escalator Opaque Balustrade Skirt Panel

- ◇ ANSI Code
- ◇ Indoor & Outdoor
- ◇ 30° & 35°
- ◇ Surface Finished: HAIRLINE G2 RELIUV 536 COATING TRANSPARENT
- ◇ With Comb Lighting + With Skirt Panel Lighting

First Skirt Panel



Notes:

The 'left side' and 'right side' is defined when passenger stands at the lower landing, facing the escalator.

DAA26228CG			
REF. No.	PART No.	DESCRIPTION	
115	DAA438NA907	First Skirt Panel	Upper Landing, Left
		First Skirt Panel	Lower Landing, Right
116	DAA438NA908	First Skirt Panel	Upper Landing, Right
		First Skirt Panel	Lower Landing, Left
117	DAA438NA909	First Skirt Panel	Upper Landing, Left
		First Skirt Panel	Lower Landing, Right
118	DAA438NA910	First Skirt Panel	Upper Landing, Right
		First Skirt Panel	Lower Landing, Left

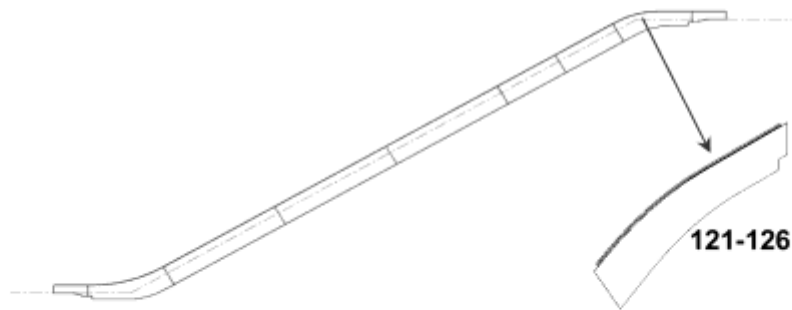
2 Flat steps

3 Flat steps

Escalator Opaque Balustrade Skirt Panel

- ✧ For 515NPE-S Escalator
- ✧ Outdoor Only
- ✧ Upper Landing
- ✧ Surface finished: HAIRLINE G2

Curve Skirt Panel



Notes:

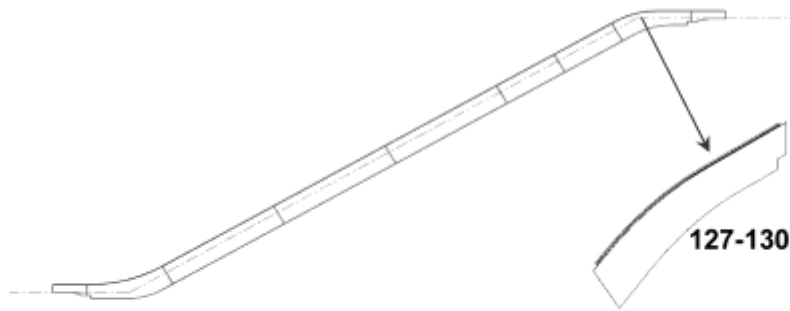
The 'left side' and 'right side' is defined when passenger stands at the lower landing, facing the escalator.

DAA26228CG			
REF. No.	PART No.	DESCRIPTION	
121	DAA438NB001	Curve Skirt Panel	Upper Landing, Left
122	DAA438NB002	Curve Skirt Panel	Upper Landing, Right
123	DAA438NB101	Curve Skirt Panel	Upper Landing, Left
124	DAA438NB102	Curve Skirt Panel	Upper Landing, Right
125	DAA438NB201	Curve Skirt Panel	Upper Landing, Left
126	DAA438NB202	Curve Skirt Panel	Upper Landing, Right

Escalator Opaque Balustrade Skirt Panel

- ✧ For 515NPE-L Escalator
- ✧ Outdoor Only
- ✧ Upper Landing
- ✧ Surface finished: HAIRLINE G2

Curve Skirt Panel



Notes:

The 'left side' and 'right side' is defined when passenger stands at the lower landing, facing the escalator.

DAA26228CG			
REF. No.	PART No.	DESCRIPTION	
127	DAA438NB301	Curve Skirt Panel	Upper Landing, Left
128	DAA438NB302	Curve Skirt Panel	Upper Landing, Right
129	DAA438NB401	Curve Skirt Panel	Upper Landing, Left
130	DAA438NB402	Curve Skirt Panel	Upper Landing, Right

30°

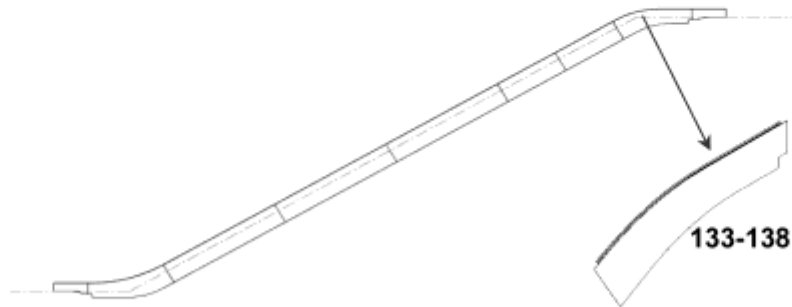
EN115

35°

Escalator Opaque Balustrade Skirt Panel

- ◇ For 515NPE-S Escalator
- ◇ Indoor Only
- ◇ Upper Landing
- ◇ Surface finished: HAIRLINE G2

Curve Skirt Panel



Notes:

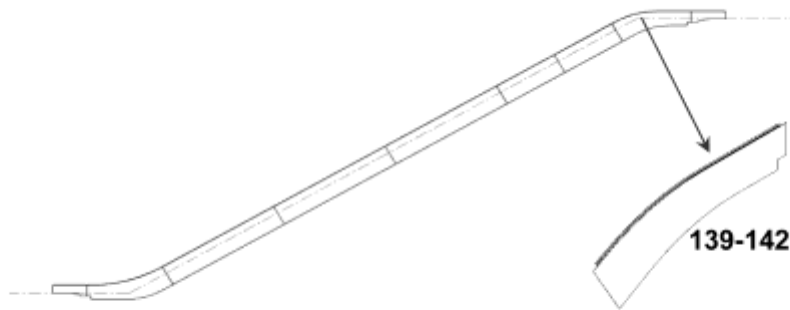
The 'left side' and 'right side' is defined when passenger stands at the lower landing, facing the escalator.

DAA26228CG				
REF. No.	PART No.	DESCRIPTION		
133	DAA438NB003	Curve Skirt Panel	Upper Landing, Left	30°
134	DAA438NB004	Curve Skirt Panel	Upper Landing, Right	
135	DAA438NB103	Curve Skirt Panel	Upper Landing, Left	35°
136	DAA438NB104	Curve Skirt Panel	Upper Landing, Right	
137	DAA438NB203	Curve Skirt Panel	Upper Landing, Left	30°
138	DAA438NB204	Curve Skirt Panel	Upper Landing, Right	

Escalator Opaque Balustrade Skirt Panel

- ◇ For 515NPE-L Escalator
- ◇ Indoor Only
- ◇ Upper Landing
- ◇ Surface finished: HAIRLINE G2

Curve Skirt Panel



Notes:

The 'left side' and 'right side' is defined when passenger stands at the lower landing, facing the escalator.

DAA26228CG		
REF. No.	PART No.	DESCRIPTION
139	DAA438NB303	Curve Skirt Panel Upper Landing, Left
140	DAA438NB304	Curve Skirt Panel Upper Landing, Right
141	DAA438NB403	Curve Skirt Panel Upper Landing, Left
142	DAA438NB404	Curve Skirt Panel Upper Landing, Right

30°

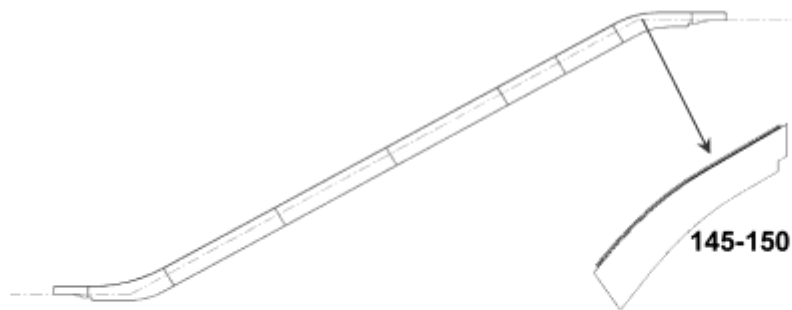
35°

EN115

Escalator Opaque Balustrade Skirt Panel

- ✧ For 515NPE-S Escalator
- ✧ Outdoor & Indoor
- ✧ Upper Landing
- ✧ Surface finished: RELIUS I 536 COATING BLACK

Curve Skirt Panel



Notes:

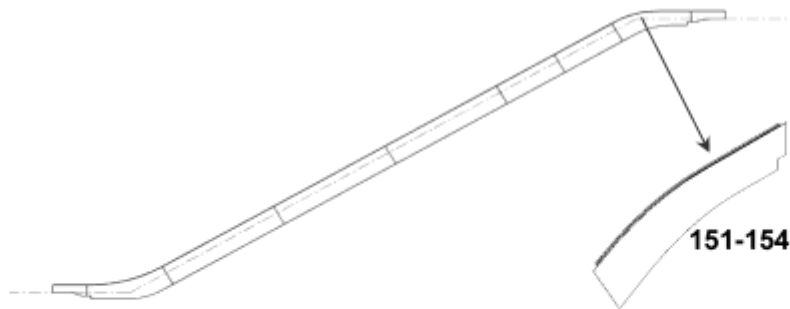
The 'left side' and 'right side' is defined when passenger stands at the lower landing, facing the escalator.

DAA26228CG				
REF. No.	PART No.	DESCRIPTION		
145	DAA438NB005	Curve Skirt Panel	Upper Landing, Left	30°
146	DAA438NB006	Curve Skirt Panel	Upper Landing, Right	
147	DAA438NB105	Curve Skirt Panel	Upper Landing, Left	35°
148	DAA438NB106	Curve Skirt Panel	Upper Landing, Right	
149	DAA438NB205	Curve Skirt Panel	Upper Landing, Left	30°
150	DAA438NB206	Curve Skirt Panel	Upper Landing, Right	

Escalator Opaque Balustrade Skirt Panel

- ✧ For 515NPE-L Escalator
- ✧ Outdoor & Indoor
- ✧ Upper Landing
- ✧ Surface finished: RELIUS I 536 COATING BLACK

Curve Skirt Panel



Notes:

The 'left side' and 'right side' is defined when passenger stands at the lower landing, facing the escalator.

DAA26228CG			
REF. No.	PART No.	DESCRIPTION	
151	DAA438NB305	Curve Skirt Panel	Upper Landing, Left
152	DAA438NB306	Curve Skirt Panel	Upper Landing, Right
153	DAA438NB405	Curve Skirt Panel	Upper Landing, Left
154	DAA438NB406	Curve Skirt Panel	Upper Landing, Right

30°

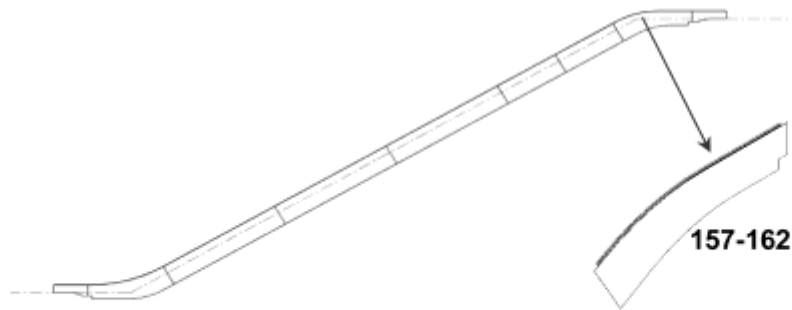
EN115

35°

Escalator Opaque Balustrade Skirt Panel

- ✧ For 515NPE-S Escalator
- ✧ Outdoor & Indoor
- ✧ Upper Landing
- ✧ Surface finished: HAIRLINE G2 RELIUV 536 COATING TRANSPARENT

Curve Skirt Panel



Notes:

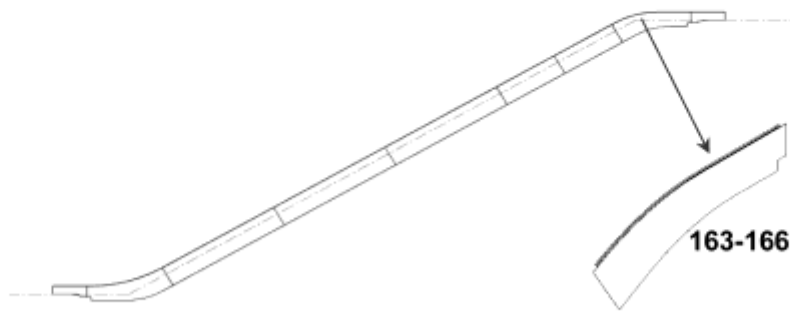
The 'left side' and 'right side' is defined when passenger stands at the lower landing, facing the escalator.

DAA26228CG				
REF. No.	PART No.	DESCRIPTION		
157	DAA438NB007	Curve Skirt Panel	Upper Landing, Left	30°
158	DAA438NB008	Curve Skirt Panel	Upper Landing, Right	
159	DAA438NB107	Curve Skirt Panel	Upper Landing, Left	35°
160	DAA438NB108	Curve Skirt Panel	Upper Landing, Right	
161	DAA438NB207	Curve Skirt Panel	Upper Landing, Left	30°
162	DAA438NB208	Curve Skirt Panel	Upper Landing, Right	

Escalator Opaque Balustrade Skirt Panel

- ◇ For 515NPE-L Escalator
- ◇ Outdoor & Indoor
- ◇ Upper Landing
- ◇ Surface finished: HAIRLINE G2 RELIU I 536 COATING TRANSPARENT

Curve Skirt Panel



Notes:

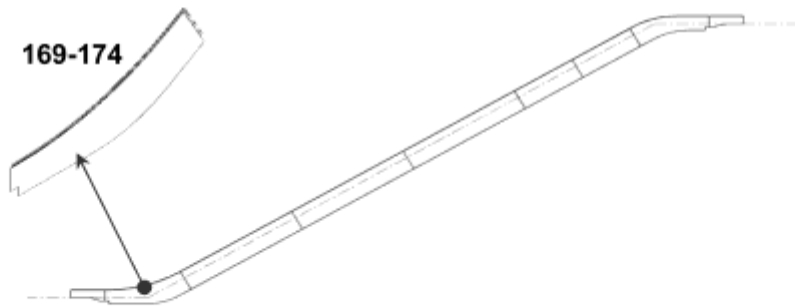
The 'left side' and 'right side' is defined when passenger stands at the lower landing, facing the escalator.

DAA26228CG			
REF. No.	PART No.	DESCRIPTION	
163	DAA438NB307	Curve Skirt Panel Upper Landing, Left	30°
164	DAA438NB308	Curve Skirt Panel Upper Landing, Right	EN115
165	DAA438NB407	Curve Skirt Panel Upper Landing, Left	35°
166	DAA438NB408	Curve Skirt Panel Upper Landing, Right	

Escalator Opaque Balustrade Skirt Panel

- ✧ For 515NPE-S Escalator
- ✧ Outdoor Only
- ✧ Lower Landing
- ✧ Surface finished: HAIRLINE G2

Curve Skirt Panel



Notes:

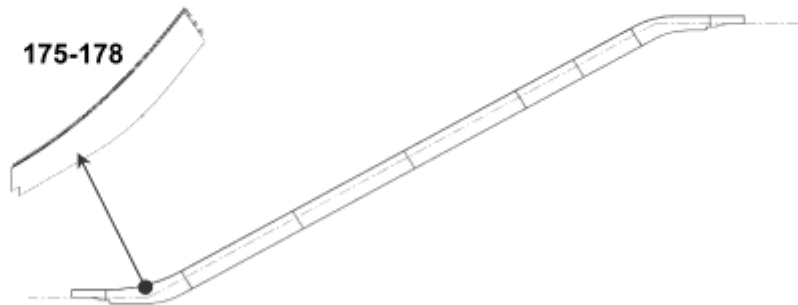
The 'left side' and 'right side' is defined when passenger stands at the lower landing, facing the escalator.

DAA26228CG					
REF. No.	PART No.	DESCRIPTION			
169	DAA438NC001	Curve Skirt Panel	Lower Landing, Left	30°	EN115
170	DAA438NC002	Curve Skirt Panel	Lower Landing, Right		
171	DAA438NC101	Curve Skirt Panel	Lower Landing, Left	35°	ANSI
172	DAA438NC102	Curve Skirt Panel	Lower Landing, Right		
173	DAA438NC201	Curve Skirt Panel	Lower Landing, Left	30°	ANSI
174	DAA438NC202	Curve Skirt Panel	Lower Landing, Right		

Escalator Opaque Balustrade Skirt Panel

- ✧ For 515NPE-L Escalator
- ✧ Outdoor Only
- ✧ Lower Landing
- ✧ Surface finished: HAIRLINE G2

Curve Skirt Panel



Notes:

The 'left side' and 'right side' is defined when passenger stands at the lower landing, facing the escalator.

DAA26228CG			
REF. No.	PART No.	DESCRIPTION	
175	DAA438NC301	Curve Skirt Panel	Lower Landing, Left
176	DAA438NC302	Curve Skirt Panel	Lower Landing, Right
177	DAA438NC401	Curve Skirt Panel	Lower Landing, Left
178	DAA438NC402	Curve Skirt Panel	Lower Landing, Right

30°

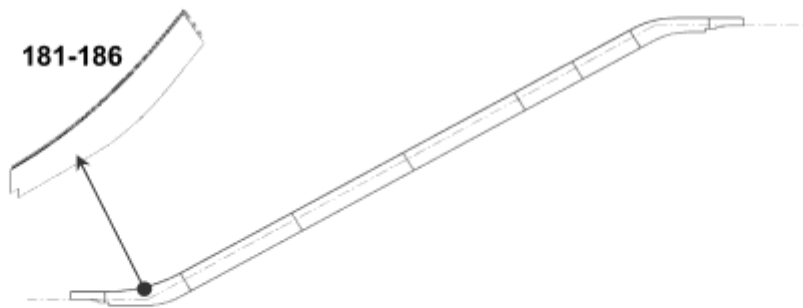
EN115

35°

Escalator Opaque Balustrade Skirt Panel

- ✧ For 515NPE-S Escalator
- ✧ Indoor Only
- ✧ Lower Landing
- ✧ Surface finished: HAIRLINE G2

Curve Skirt Panel



Notes:

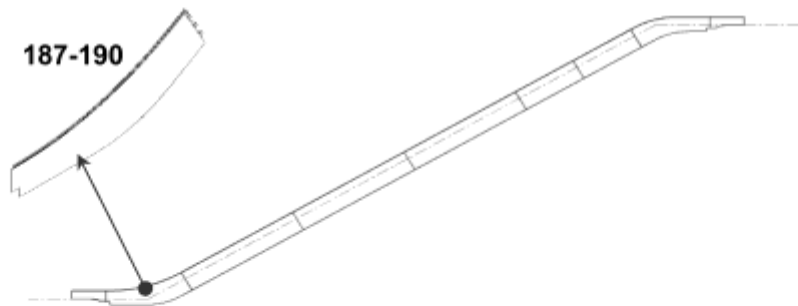
The 'left side' and 'right side' is defined when passenger stands at the lower landing, facing the escalator.

DAA26228CG				
REF. No.	PART No.	DESCRIPTION		
181	DAA438NC003	Curve Skirt Panel	Lower Landing, Left	30°
182	DAA438NC004	Curve Skirt Panel	Lower Landing, Right	
183	DAA438NC103	Curve Skirt Panel	Lower Landing, Left	35°
184	DAA438NC104	Curve Skirt Panel	Lower Landing, Right	
185	DAA438NC203	Curve Skirt Panel	Lower Landing, Left	30°
186	DAA438NC204	Curve Skirt Panel	Lower Landing, Right	

Escalator Opaque Balustrade Skirt Panel

- ◇ For 515NPE-L Escalator
- ◇ Indoor Only
- ◇ Lower Landing
- ◇ Surface finished: HAIRLINE G2

Curve Skirt Panel



Notes:

The 'left side' and 'right side' is defined when passenger stands at the lower landing, facing the escalator.

DAA26228CG			
REF. No.	PART No.	DESCRIPTION	
187	DAA438NC303	Curve Skirt Panel	Lower Landing, Left
188	DAA438NC304	Curve Skirt Panel	Lower Landing, Right
189	DAA438NC403	Curve Skirt Panel	Lower Landing, Left
190	DAA438NC404	Curve Skirt Panel	Lower Landing, Right

30°

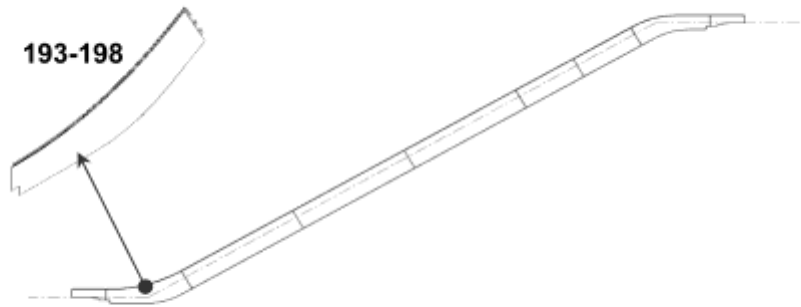
EN115

35°

Escalator Opaque Balustrade Skirt Panel

- ✧ For 515NPE-S Escalator
- ✧ Indoor & Outdoor
- ✧ Lower Landing
- ✧ Surface finished: RELIUS I 536 COATING BLACK

Curve Skirt Panel



Notes:

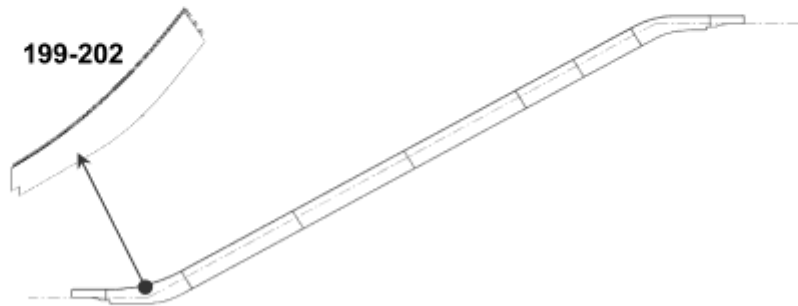
The 'left side' and 'right side' is defined when passenger stands at the lower landing, facing the escalator.

DAA26228CG				
REF. No.	PART No.	DESCRIPTION		
193	DAA438NC005	Curve Skirt Panel	Lower Landing, Left	30°
194	DAA438NC006	Curve Skirt Panel	Lower Landing, Right	
195	DAA438NC105	Curve Skirt Panel	Lower Landing, Left	35°
196	DAA438NC106	Curve Skirt Panel	Lower Landing, Right	
197	DAA438NC205	Curve Skirt Panel	Lower Landing, Left	30°
198	DAA438NC206	Curve Skirt Panel	Lower Landing, Right	

Escalator Opaque Balustrade Skirt Panel

- ◇ For 515NPE-L Escalator
- ◇ Indoor & Outdoor
- ◇ Lower Landing
- ◇ Surface finished: RELIUS I 536 COATING BLACK

Curve Skirt Panel



Notes:

The 'left side' and 'right side' is defined when passenger stands at the lower landing, facing the escalator.

DAA26228CG			
REF. No.	PART No.	DESCRIPTION	
199	DAA438NC305	Curve Skirt Panel	Lower Landing, Left
200	DAA438NC306	Curve Skirt Panel	Lower Landing, Right
201	DAA438NC405	Curve Skirt Panel	Lower Landing, Left
202	DAA438NC406	Curve Skirt Panel	Lower Landing, Right

30°

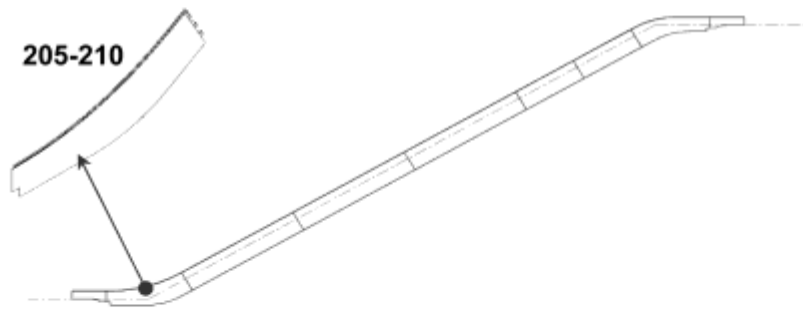
EN115

35°

Escalator Opaque Balustrade Skirt Panel

- ◇ For 515NPE-S Escalator
- ◇ Indoor & Outdoor
- ◇ Lower Landing
- ◇ Surface finished: HAIRLINE G2 RELIU I 536 COATING TRANSPARENT

Curve Skirt Panel



Notes:

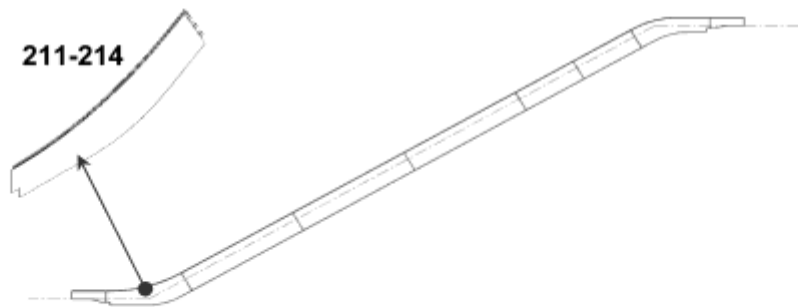
The 'left side' and 'right side' is defined when passenger stands at the lower landing, facing the escalator.

DAA26228CG			
REF. No.	PART No.	DESCRIPTION	
205	DAA438NC007	Curve Skirt Panel	Lower Landing, Left
206	DAA438NC008	Curve Skirt Panel	Lower Landing, Right
207	DAA438NC107	Curve Skirt Panel	Lower Landing, Left
208	DAA438NC108	Curve Skirt Panel	Lower Landing, Right
209	DAA438NC207	Curve Skirt Panel	Lower Landing, Left
210	DAA438NC208	Curve Skirt Panel	Lower Landing, Right

Escalator Opaque Balustrade Skirt Panel

- ✧ For 515NPE-L Escalator
- ✧ Indoor & Outdoor
- ✧ Lower Landing
- ✧ Surface finished: HAIRLINE G2 RELIU I 536 COATING TRANSPARENT

Curve Skirt Panel



Notes:

The 'left side' and 'right side' is defined when passenger stands at the lower landing, facing the escalator.

DAA26228CG			
REF. No.	PART No.	DESCRIPTION	
211	DAA438NC307	Curve Skirt Panel	Lower Landing, Left
212	DAA438NC308	Curve Skirt Panel	Lower Landing, Right
213	DAA438NC407	Curve Skirt Panel	Lower Landing, Left
214	DAA438NC408	Curve Skirt Panel	Lower Landing, Right

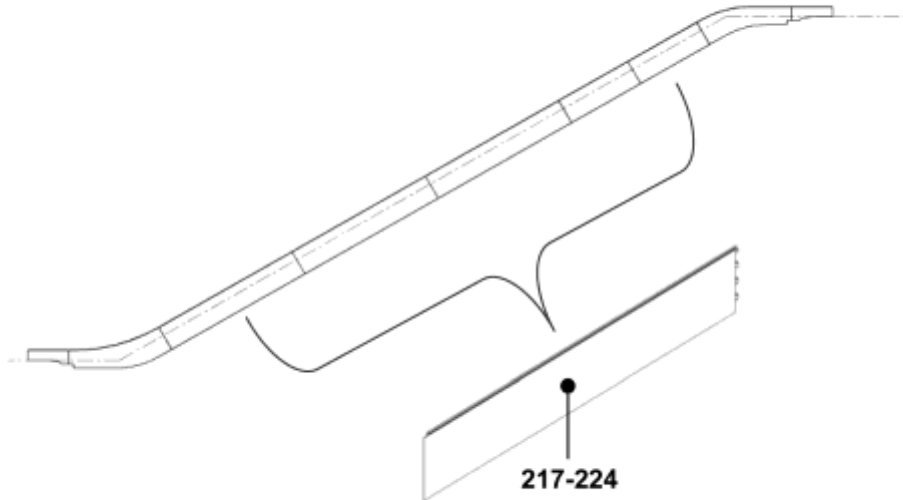
30°

EN115

35°

Escalator Opaque Balustrade Skirt Panel

- ◇ EN115:1995
- ◇ Outdoor only
- ◇ 30° & 35°
- ◇ Surface finished: HAIRLINE G2



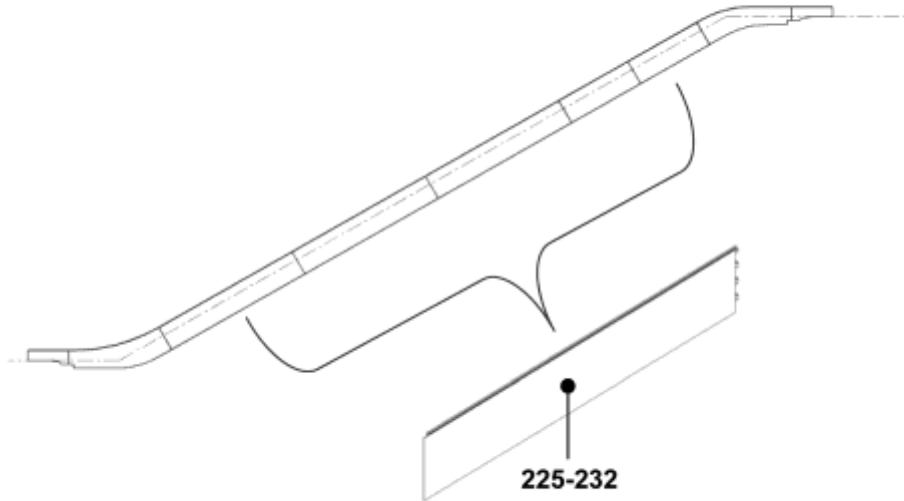
Notes:

The 'left side' and 'right side' is defined when passenger stands at the lower landing, facing the escalator.

DAA26228CG		
REF. No.	PART No.	DESCRIPTION
217	DAA438ND1	Skirt panel, inclined section, left side, A = 1980 mm
218	DAA438ND2	Skirt panel, inclined section, right side, A = 1980 mm
219	DAA438ND3	Skirt panel, inclined section, left side, A = 1455.5 mm
220	DAA438ND4	Skirt panel, inclined section, right side, A = 1455.5 mm
221	DAA438ND-V1	Skirt panel, inclined section, left side, length per spec.
222	DAA438ND-V2	Skirt panel, inclined section, right side, length per spec.
223	DAA438ND-V3	Skirt panel, inclined section, left side, length per spec.
224	DAA438ND-V4	Skirt panel, inclined section, right side, length per spec.

Escalator Opaque Balustrade Skirt Panel

- ◇ EN115:1995
- ◇ Indoor only
- ◇ 30° & 35°
- ◇ Surface finished: HAIRLINE G2



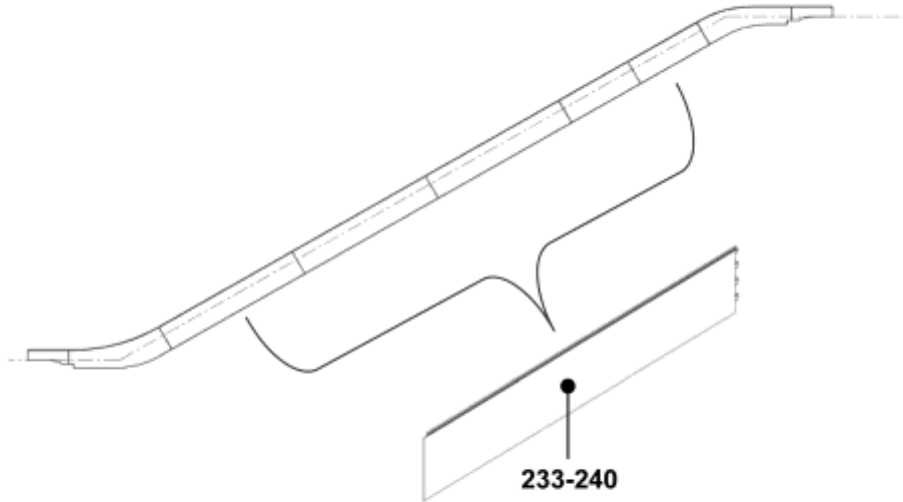
Notes:

The 'left side' and 'right side' is defined when passenger stands at the lower landing, facing the escalator.

DAA26228CG		
REF. No.	PART No.	DESCRIPTION
225	DAA438ND5	Skirt panel, inclined section, left side, A = 1980 mm
226	DAA438ND6	Skirt panel, inclined section, right side, A = 1980 mm
227	DAA438ND7	Skirt panel, inclined section, left side, A = 1455.5 mm
228	DAA438ND8	Skirt panel, inclined section, right side, A = 1455.5 mm
229	DAA438ND-V5	Skirt panel, inclined section, left side, length per spec.
230	DAA438ND-V6	Skirt panel, inclined section, right side, length per spec.
231	DAA438ND-V7	Skirt panel, inclined section, left side, length per spec.
232	DAA438ND-V8	Skirt panel, inclined section, right side, length per spec.

Escalator Opaque Balustrade Skirt Panel

- ◇ EN115:2008 (30° & 35°) & ANSI (30°)
- ◇ Indoor & Outdoor
- ◇ Surface finished: RELIUS I 536 COATING BLACK



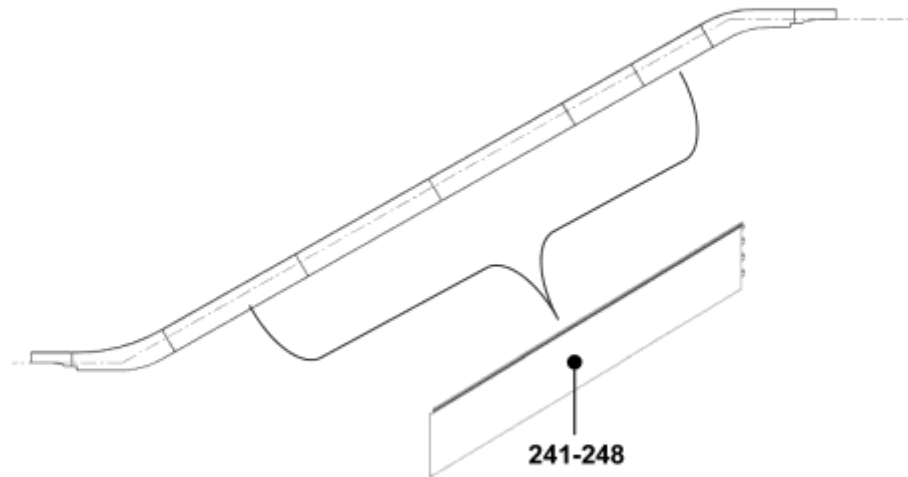
Notes:

The 'left side' and 'right side' is defined when passenger stands at the lower landing, facing the escalator.

DAA26228CG		
REF. No.	PART No.	DESCRIPTION
233	DAA438ND9	Skirt panel, inclined section, left side, A = 1980 mm
234	DAA438ND10	Skirt panel, inclined section, right side, A = 1980 mm
235	DAA438ND11	Skirt panel, inclined section, left side, A = 1455.5 mm
236	DAA438ND12	Skirt panel, inclined section, right side, A = 1455.5 mm
237	DAA438ND-V9	Skirt panel, inclined section, left side, length per spec.
238	DAA438ND-V10	Skirt panel, inclined section, right side, length per spec.
239	DAA438ND-V11	Skirt panel, inclined section, left side, length per spec.
240	DAA438ND-V12	Skirt panel, inclined section, right side, length per spec.

Escalator Opaque Balustrade Skirt Panel

- ◇ EN115:2008 (30° & 35°) & ANSI (30°)
- ◇ Indoor & Outdoor
- ◇ Surface finished: HAIRLINE G2 RELIUM I 536 COATING TRANSPARENT



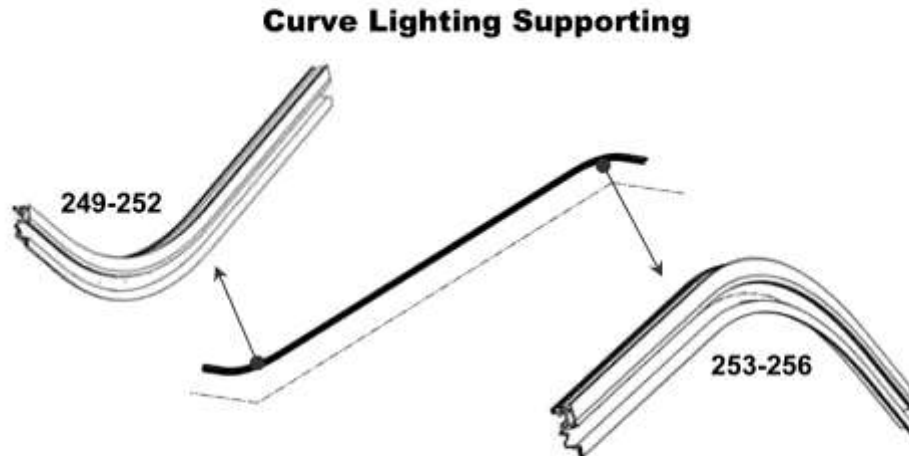
Notes:

The 'left side' and 'right side' is defined when passenger stands at the lower landing, facing the escalator.

DAA26228CG		
REF. No.	PART No.	DESCRIPTION
241	DAA438ND13	Skirt panel, inclined section, left side, A = 1980 mm
242	DAA438ND14	Skirt panel, inclined section, right side, A = 1980 mm
243	DAA438ND15	Skirt panel, inclined section, left side, A = 1455.5 mm
244	DAA438ND16	Skirt panel, inclined section, right side, A = 1455.5 mm
245	DAA438ND-V13	Skirt panel, inclined section, left side, length per spec.
246	DAA438ND-V14	Skirt panel, inclined section, right side, length per spec.
247	DAA438ND-V15	Skirt panel, inclined section, left side, length per spec.
248	DAA438ND-V16	Skirt panel, inclined section, right side, length per spec.

Escalator Opaque Balustrade Skirt Panel

- ◇ EN115 Code
- ◇ For 515NPE-S Escalator



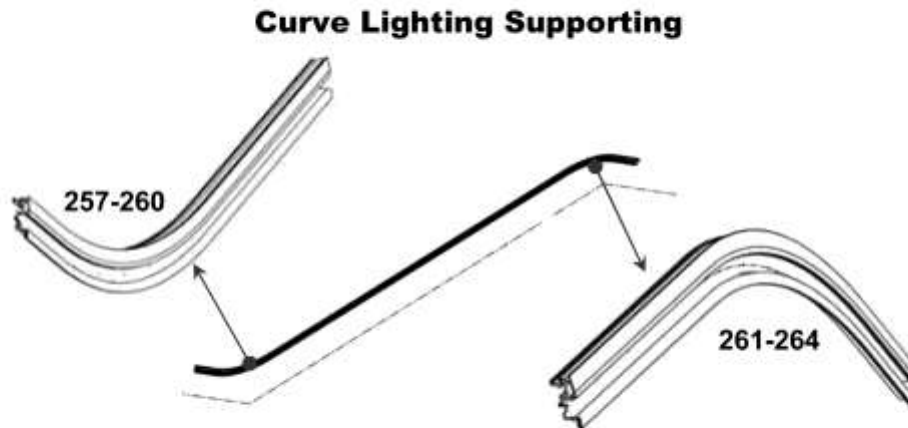
Notes:

The 'left side' and 'right side' is defined when passenger stands at the lower landing, facing the escalator.

DAA26228CG				
REF. No.	PART No.	DESCRIPTION		
249	DAA402KS1	Curve Lighting Supporting	Left	30°
250	DAA402KS2	Curve Lighting Supporting	Right	
Lower Landing				
251	DAA402KS3	Curve Lighting Supporting	Left	35°
252	DAA402KS4	Curve Lighting Supporting	Right	
Upper Landing				
253	DAA402KR1	Curve Lighting Supporting	Left	30°
254	DAA402KR2	Curve Lighting Supporting	Right	
255	DAA402KR3	Curve Lighting Supporting	Left	35°
256	DAA402KR4	Curve Lighting Supporting	Right	

Escalator Opaque Balustrade Skirt Panel

- ◇ EN115 Code
- ◇ For 515NPE-L Escalator



Notes:

The 'left side' and 'right side' is defined when passenger stands at the lower landing, facing the escalator.

DAA26228CG				
REF. No.	PART No.	DESCRIPTION		
257	DAA402KS7	Curve Lighting Supporting	Left	Lower Landing
258	DAA402KS8	Curve Lighting Supporting	Right	
259	DAA402KS9	Curve Lighting Supporting	Left	Upper Landing
260	DAA402KS10	Curve Lighting Supporting	Right	
261	DAA402KR7	Curve Lighting Supporting	Left	Upper Landing
262	DAA402KR8	Curve Lighting Supporting	Right	
263	DAA402KR9	Curve Lighting Supporting	Left	Upper Landing
264	DAA402KR10	Curve Lighting Supporting	Right	

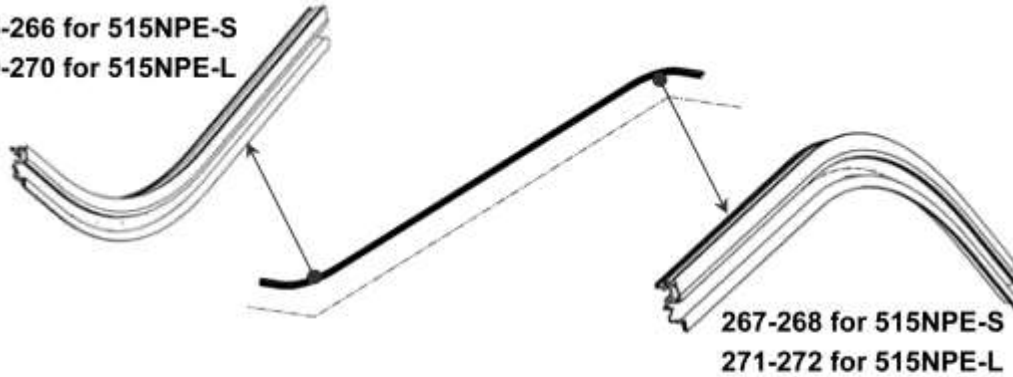
Escalator Opaque Balustrade Skirt Panel

◇ ANSI Code

◇ 30° Only

Curve Lighting Supporting

265-266 for 515NPE-S
269-270 for 515NPE-L



Notes:

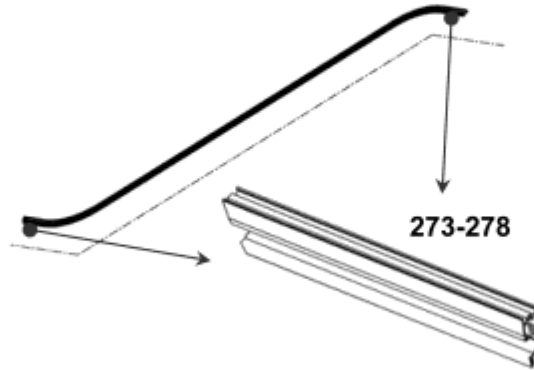
The 'left side' and 'right side' is defined when passenger stands at the lower landing, facing the escalator.

DAA26228CG				
REF. No.	PART No.	DESCRIPTION		
265	DAA402KS5	Curve Lighting Supporting	Left	Lower Landing
266	DAA402KS6	Curve Lighting Supporting	Right	
267	DAA402KR5	Curve Lighting Supporting	Left	Upper Landing
268	DAA402KR6	Curve Lighting Supporting	Right	
269	DAA402KS11	Curve Lighting Supporting	Left	Lower Landing
270	DAA402KS12	Curve Lighting Supporting	Right	
271	DAA402KR11	Curve Lighting Supporting	Left	Upper Landing
272	DAA402KR12	Curve Lighting Supporting	Right	

Escalator Opaque Balustrade Skirt Panel

◇ EN115 Code

Landing Lighting Supporting



Notes:

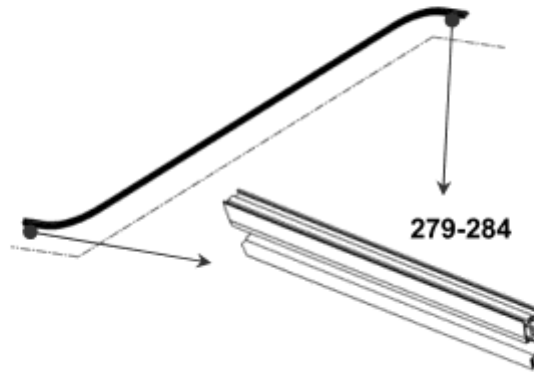
The 'left side' and 'right side' is defined when passenger stands at the lower landing, facing the escalator.

DAA26228CG				
REF. No.	PART No.	DESCRIPTION		
273	DAA402KQ4	Landing Lighting Supporting	Lower Landing Left	2 flat steps
		Landing Lighting Supporting	Upper Landing Right	
274	DAA402KQ3	Landing Lighting Supporting	Upper Landing Left	2 flat steps
		Landing Lighting Supporting	Lower Landing Right	
275	DAA402KQ6	Landing Lighting Supporting	Lower Landing Left	3 flat steps
		Landing Lighting Supporting	Upper Landing Right	
276	DAA402KQ5	Landing Lighting Supporting	Upper Landing Left	3 flat steps
		Landing Lighting Supporting	Lower Landing Right	
277	DAA402KQ8	Landing Lighting Supporting	Lower Landing Left	4 flat steps
		Landing Lighting Supporting	Upper Landing Right	
278	DAA402KQ7	Landing Lighting Supporting	Upper Landing Left	4 flat steps
		Landing Lighting Supporting	Lower Landing Right	

Escalator Opaque Balustrade Skirt Panel

◇ ANSI Code

Landing Lighting Supporting



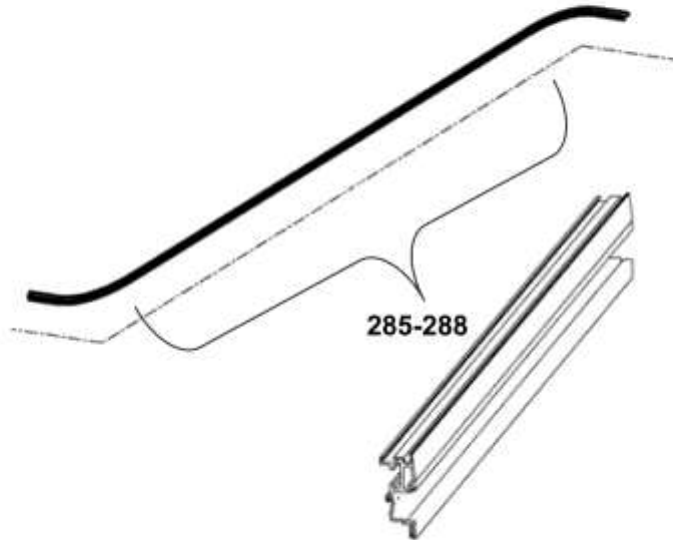
Notes:

The 'left side' and 'right side' is defined when passenger stands at the lower landing, facing the escalator.

DAA26228CG				
REF. No.	PART No.	DESCRIPTION		
279	DAA402KQ4	Landing Lighting Supporting	Lower Landing Left	2 flat steps
		Landing Lighting Supporting	Upper Landing Right	
280	DAA402KQ3	Landing Lighting Supporting	Upper Landing Left	2 flat steps
		Landing Lighting Supporting	Lower Landing Right	
281	DAA402KQ10	Landing Lighting Supporting	Lower Landing Left	3 flat steps
		Landing Lighting Supporting	Upper Landing Right	
282	DAA402KQ9	Landing Lighting Supporting	Upper Landing Left	3 flat steps
		Landing Lighting Supporting	Lower Landing Right	
283	DAA402KQ12	Landing Lighting Supporting	Lower Landing Left	4 flat steps
		Landing Lighting Supporting	Upper Landing Right	
284	DAA402KQ11	Landing Lighting Supporting	Upper Landing Left	4 flat steps
		Landing Lighting Supporting	Lower Landing Right	

Escalator Opaque Balustrade Skirt Panel

◇ EN115 & ANSI Code

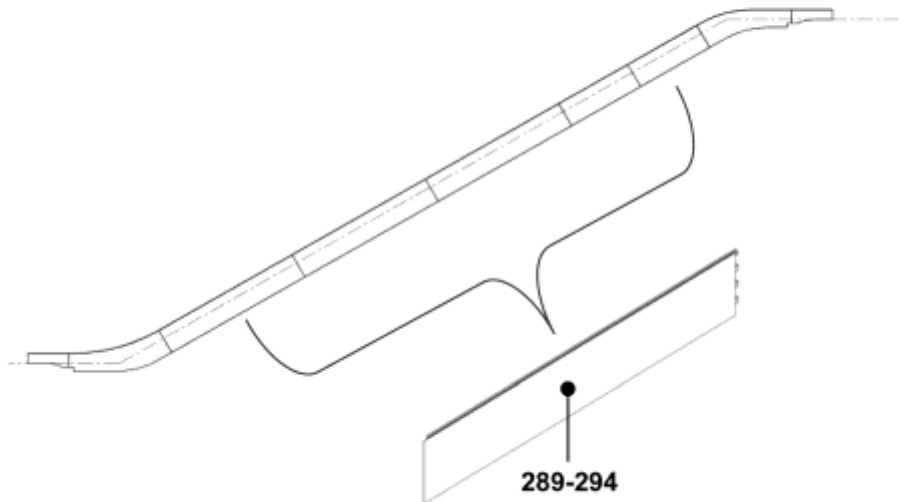
Incline Lighting Supporting**Notes:**

The 'left side' and 'right side' is defined when passenger stands at the lower landing, facing the escalator.

DAA26228CG		
REF. No.	PART No.	DESCRIPTION
285	DAA402KQ1	Lighting Supporting, inclined section, Constant Length = 5920 mm
286	DAA402KQ2	Lighting Supporting, inclined section, Constant Length = 2960 mm
287	DAA402KQ-V1	Lighting Supporting, inclined section, Variable Length Per Spec.
288	DAA402KQ-V2	Lighting Supporting, inclined section, Variable Length Per Spec.

Escalator Opaque Balustrade Skirt Panel

- ◇ EN115:1995
- ◇ Outdoor only
- ◇ 30° & 35°
- ◇ Surface finished: HAIRLINE G2



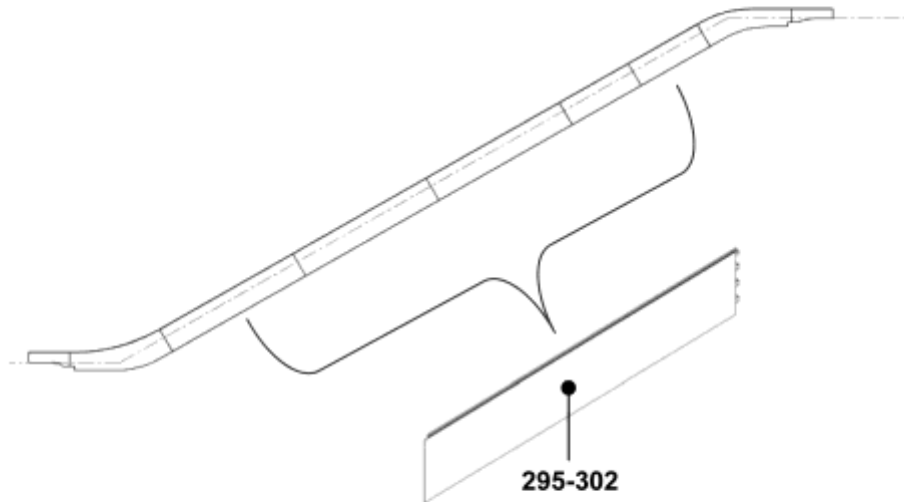
Notes:

The 'left side' and 'right side' is defined when passenger stands at the lower landing, facing the escalator.

DAA26228CG		
REF. No.	PART No.	DESCRIPTION
289	DAA438ND17	Skirt panel, inclined section, left side, A = 2960 mm
290	DAA438ND18	Skirt panel, inclined section, right side, A = 2960 mm
291	DAA438ND-V17	Skirt panel, inclined section, left side, length per spec.
292	DAA438ND-V18	Skirt panel, inclined section, right side, length per spec.
293	DAA438ND-V19	Skirt panel, inclined section, left side, length per spec.
294	DAA438ND-V20	Skirt panel, inclined section, right side, length per spec.

Escalator Opaque Balustrade Skirt Panel

- ◇ EN115:1995
- ◇ Outdoor only
- ◇ 30° & 35°
- ◇ Surface finished: HAIRLINE G2



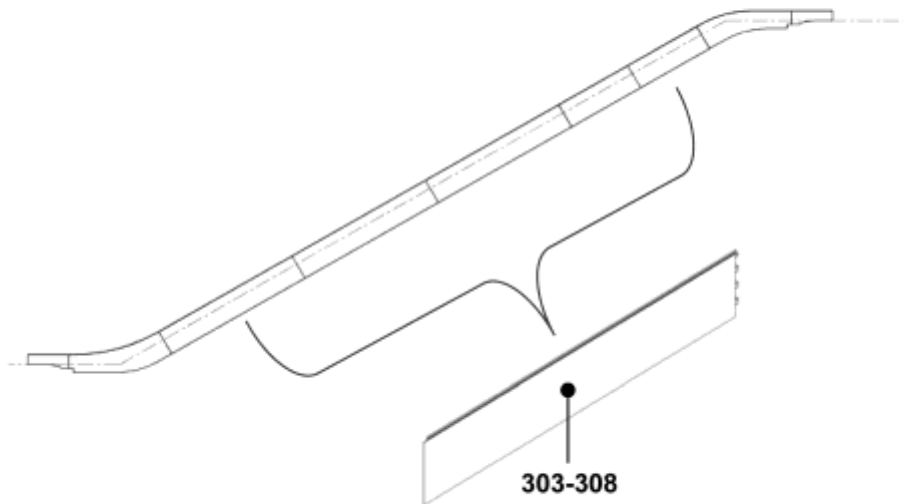
Notes:

The 'left side' and 'right side' is defined when passenger stands at the lower landing, facing the escalator.

DAA26228CG		
REF. No.	PART No.	DESCRIPTION
295	DAA438ND-V33	Skirt panel, inclined section, left side, length per spec.
296	DAA438ND-V34	Skirt panel, inclined section, right side, length per spec.
297	DAA438ND-V35	Skirt panel, inclined section, left side, length per spec.
298	DAA438ND-V36	Skirt panel, inclined section, right side, length per spec.
299	DAA438ND-V49	Skirt panel, inclined section, left side, length per spec.
300	DAA438ND-V50	Skirt panel, inclined section, right side, length per spec.
301	DAA438ND-V51	Skirt panel, inclined section, left side, length per spec.
302	DAA438ND-V52	Skirt panel, inclined section, right side, length per spec.

Escalator Opaque Balustrade Skirt Panel

- ◇ EN115:1995
- ◇ Indoor only
- ◇ 30° & 35°
- ◇ Surface finished: HAIRLINE G2



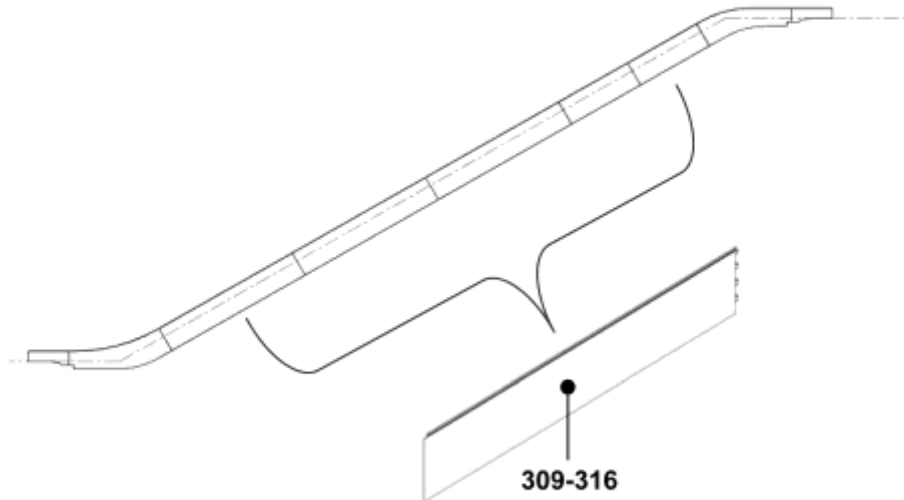
Notes:

The 'left side' and 'right side' is defined when passenger stands at the lower landing, facing the escalator.

DAA26228CG		
REF. No.	PART No.	DESCRIPTION
303	DAA438ND19	Skirt panel, inclined section, left side, A = 2960 mm
304	DAA438ND20	Skirt panel, inclined section, right side, A = 2960 mm
305	DAA438ND-V21	Skirt panel, inclined section, left side, length per spec.
306	DAA438ND-V22	Skirt panel, inclined section, right side, length per spec.
307	DAA438ND-V23	Skirt panel, inclined section, left side, length per spec.
308	DAA438ND-V24	Skirt panel, inclined section, right side, length per spec.

Escalator Opaque Balustrade Skirt Panel

- ◇ EN115:1995
- ◇ Indoor only
- ◇ 30° & 35°
- ◇ Surface finished: HAIRLINE G2



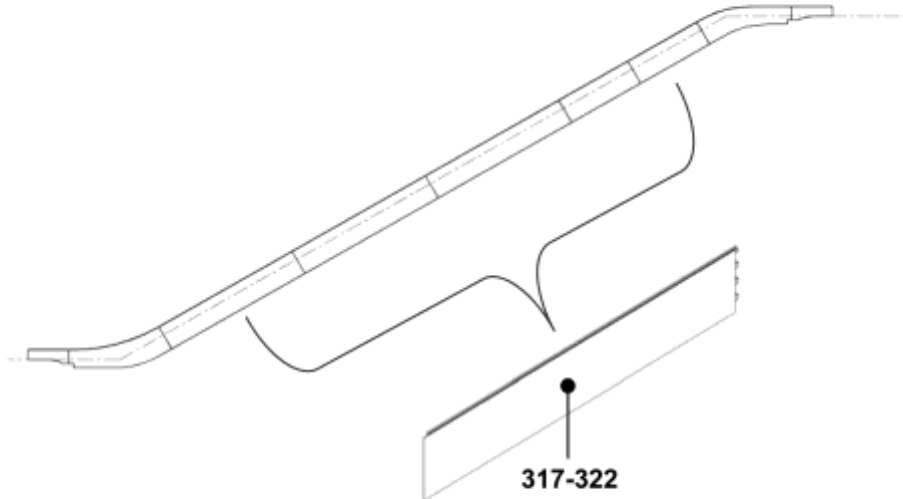
Notes:

The 'left side' and 'right side' is defined when passenger stands at the lower landing, facing the escalator.

DAA26228CG		
REF. No.	PART No.	DESCRIPTION
309	DAA438ND-V37	Skirt panel, inclined section, left side, length per spec.
310	DAA438ND-V38	Skirt panel, inclined section, right side, length per spec.
311	DAA438ND-V39	Skirt panel, inclined section, left side, length per spec.
312	DAA438ND-V40	Skirt panel, inclined section, right side, length per spec.
313	DAA438ND-V53	Skirt panel, inclined section, left side, length per spec.
314	DAA438ND-V54	Skirt panel, inclined section, right side, length per spec.
315	DAA438ND-V55	Skirt panel, inclined section, left side, length per spec.
316	DAA438ND-V56	Skirt panel, inclined section, right side, length per spec.

Escalator Opaque Balustrade Skirt Panel

- ◇ EN115:2008 (30° & 35°) & ANSI (30°)
- ◇ Indoor & Outdoor
- ◇ Surface finished: RELIUS I 536 COATING BLACK



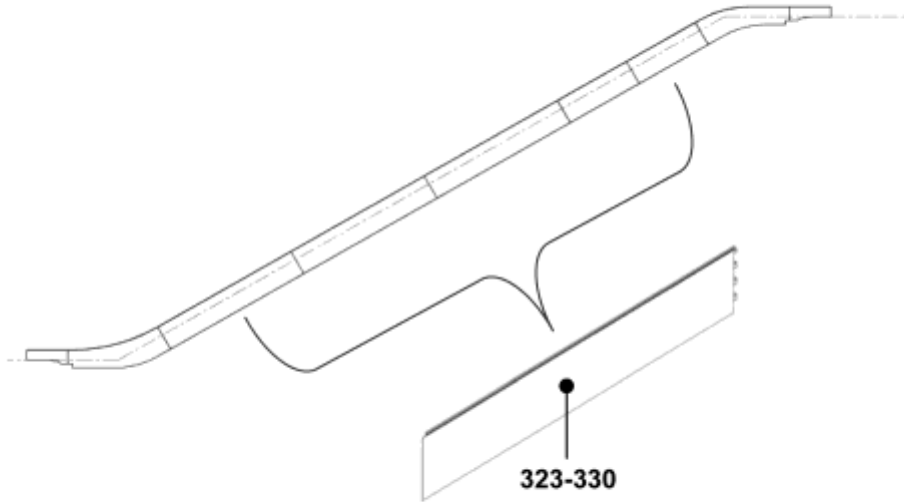
Notes:

The 'left side' and 'right side' is defined when passenger stands at the lower landing, facing the escalator.

DAA26228CG		
REF. No.	PART No.	DESCRIPTION
317	DAA438ND21	Skirt panel, inclined section, left side, A = 2960 mm
318	DAA438ND22	Skirt panel, inclined section, right side, A = 2960 mm
319	DAA438ND-V25	Skirt panel, inclined section, left side, length per spec.
320	DAA438ND-V26	Skirt panel, inclined section, right side, length per spec.
321	DAA438ND-V27	Skirt panel, inclined section, left side, length per spec.
322	DAA438ND-V28	Skirt panel, inclined section, right side, length per spec.

Escalator Opaque Balustrade Skirt Panel

- ◇ EN115:2008 (30° & 35°) & ANSI (30°)
- ◇ Indoor & Outdoor
- ◇ Surface finished: RELIUS I 536 COATING BLACK



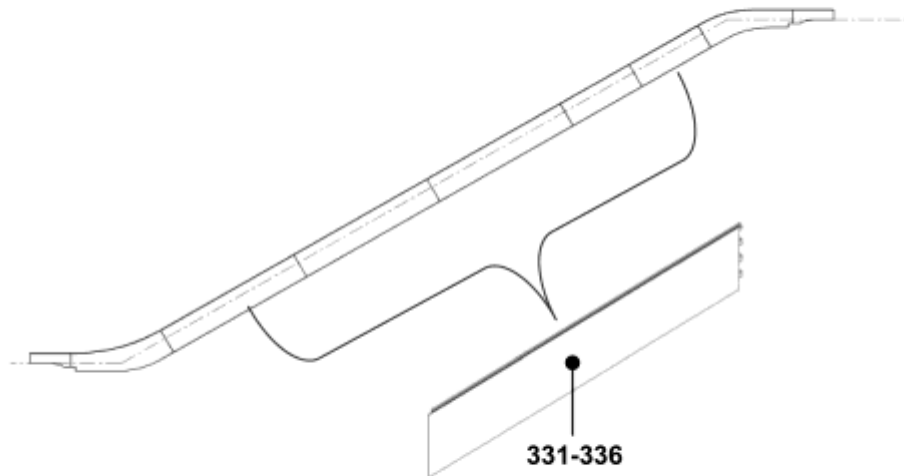
Notes:

The 'left side' and 'right side' is defined when passenger stands at the lower landing, facing the escalator.

DAA26228CG		
REF. No.	PART No.	DESCRIPTION
323	DAA438ND-V41	Skirt panel, inclined section, left side, length per spec.
324	DAA438ND-V42	Skirt panel, inclined section, right side, length per spec.
325	DAA438ND-V43	Skirt panel, inclined section, left side, length per spec.
326	DAA438ND-V44	Skirt panel, inclined section, right side, length per spec.
327	DAA438ND-V57	Skirt panel, inclined section, left side, length per spec.
328	DAA438ND-V58	Skirt panel, inclined section, right side, length per spec.
329	DAA438ND-V59	Skirt panel, inclined section, left side, length per spec.
330	DAA438ND-V60	Skirt panel, inclined section, right side, length per spec.

Escalator Opaque Balustrade Skirt Panel

- ◇ EN115:2008 (30° & 35°) & ANSI (30°)
- ◇ Indoor & Outdoor
- ◇ Surface finished: HAIRLINE G2 RELIU I 536 COATING TRANSPARENT



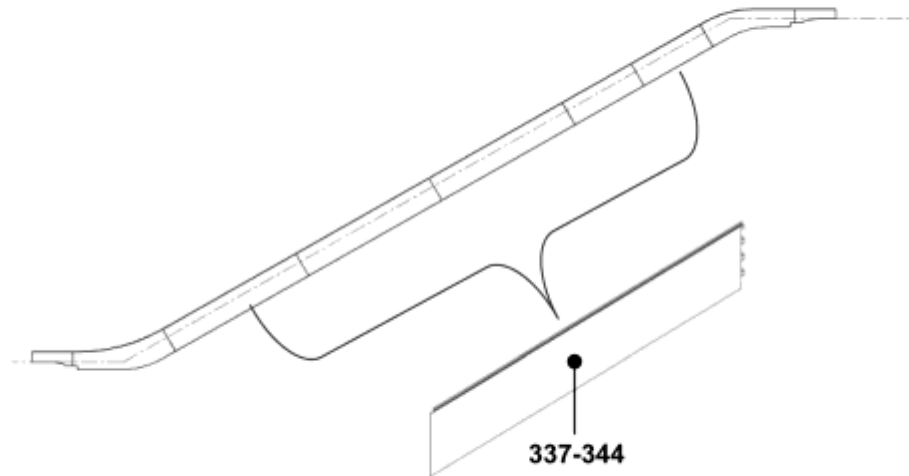
Notes:

The 'left side' and 'right side' is defined when passenger stands at the lower landing, facing the escalator.

DAA26228CG		
REF. No.	PART No.	DESCRIPTION
331	DAA438ND23	Skirt panel, inclined section, left side, A = 2960 mm
332	DAA438ND24	Skirt panel, inclined section, right side, A = 2960 mm
333	DAA438ND-V29	Skirt panel, inclined section, left side, length per spec.
334	DAA438ND-V30	Skirt panel, inclined section, right side, length per spec.
335	DAA438ND-V31	Skirt panel, inclined section, left side, length per spec.
336	DAA438ND-V32	Skirt panel, inclined section, right side, length per spec.

Escalator Opaque Balustrade Skirt Panel

- ◇ EN115:2008 (30° & 35°) & ANSI (30°)
- ◇ Indoor & Outdoor
- ◇ Surface finished: HAIRLINE G2 RELIU I 536 COATING TRANSPARENT



Notes:

The 'left side' and 'right side' is defined when passenger stands at the lower landing, facing the escalator.

DAA26228CG		
REF. No.	PART No.	DESCRIPTION
337	DAA438ND-V45	Skirt panel, inclined section, left side, length per spec.
338	DAA438ND-V46	Skirt panel, inclined section, right side, length per spec.
339	DAA438ND-V47	Skirt panel, inclined section, left side, length per spec.
340	DAA438ND-V48	Skirt panel, inclined section, right side, length per spec.
341	DAA438ND-V61	Skirt panel, inclined section, left side, length per spec.
342	DAA438ND-V62	Skirt panel, inclined section, right side, length per spec.
343	DAA438ND-V63	Skirt panel, inclined section, left side, length per spec.
344	DAA438ND-V64	Skirt panel, inclined section, right side, length per spec.