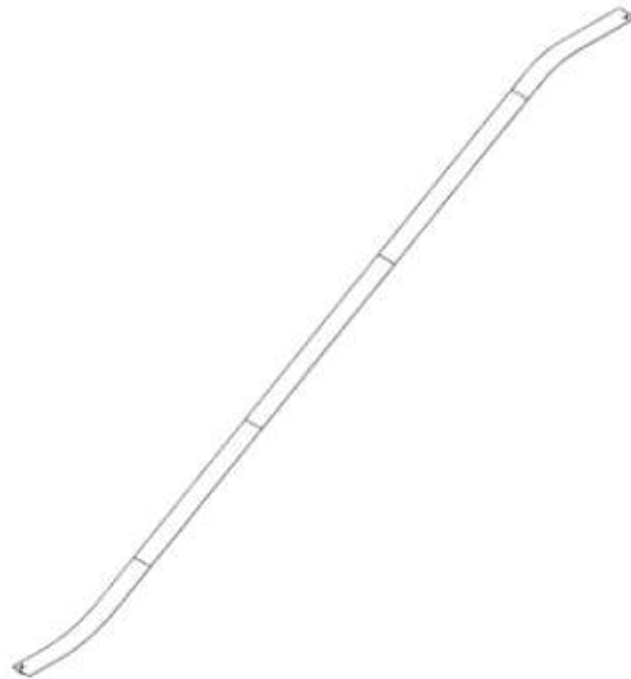


**508NCE / 512NCE  
Escalator Common  
Decking**

**Spare Parts Leaflet**

**57-DAA26228CJ**

**June 7, 2010 / Page 1 of 16**



Unpublished Work—© Otis Elevator Co.; 2010

**OTIS**

**Safety First!**

**ESCALATOR ENGINEERING**  
Otis Elevator Company  
SIT GUANGZHOU

**Leaflet Description**

Common Decking (Only for 30°)  
 508NCE\_ANSI  
 512NCE\_ANSI

**Leaflet Revisions**

<b>Date Revised</b>	<b>Subject Matter Expert</b>	<b>Reason for Revision</b>
2009-5-27	Bill, Li	Original document

**Related Drawings**

<b>Drawing No.</b>	<b>Title</b>	<b>Drawing No.</b>	<b>Title</b>
DAA26228CJ	Common Decking		

**Related Documents**

<b>Document ID</b>	<b>Title</b>
ODS DAA27076ET	Common Decking
ODS DAA27076DX	Common Decking

**Subject Matter Expert**

<b>Name</b>	<b>Department</b>
Bill, Li	SIT-GUANGZHOU

**About Spare Parts Leaflets...**

This document lists the lowest replaceable units (LRUs) for the standard version of the product. The LRUs are chosen by a team of Otis associates representing engineering and manufacturing.

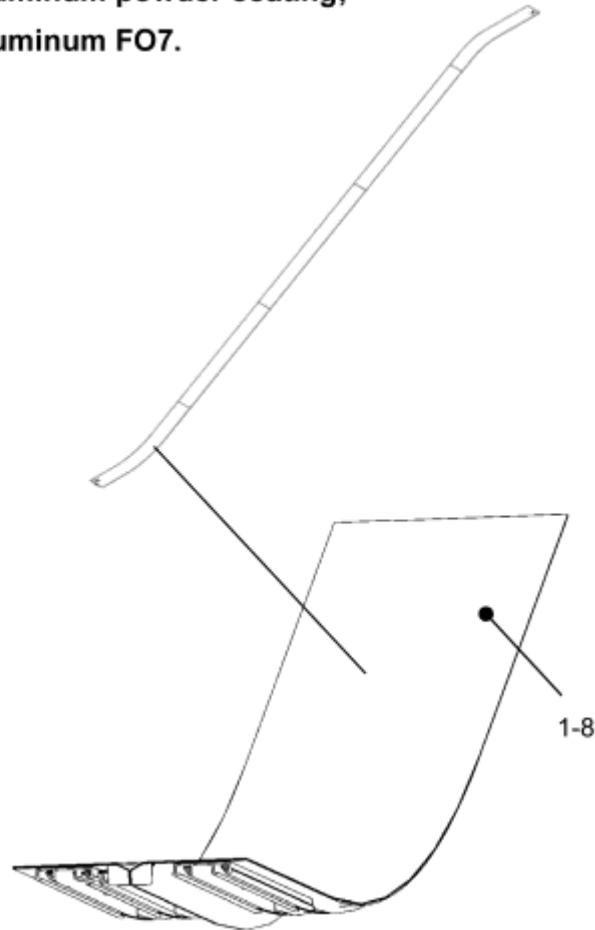
While goal of this document is to make parts identification as easy as possible, the document cannot be all-inclusive. Elevator and escalator contracts classified as "special" or "custom" are not addressed here. For such contracts, please refer to specified information, the contract folder, TIPs, Field Education Articles, Construction Letters, etc. for further information.

If you have any suggestions about this document, please contact the subject matter expert listed on this page.

**Common Decking**

Common decking (ONLY FOR 30° )

- 508NCE\_ANSI, Aluminum powder coating;
- 508NCE\_ANSI, Aluminum FO7.



**DAA26228CJ**

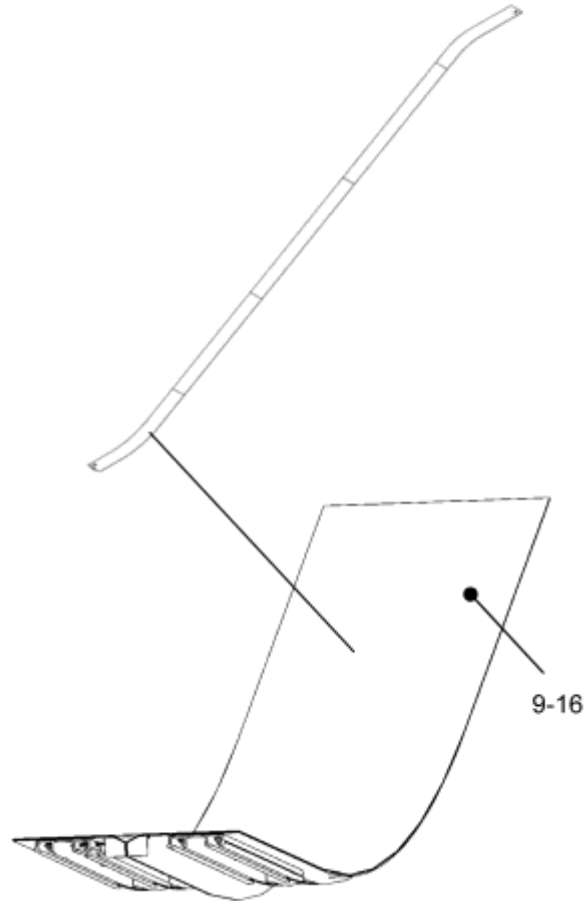
**LOWER LANDING = LL**

<b>REF. No.</b>	<b>PART No.</b>	<b>DESCRIPTION</b>	<b>TYPE</b>
1	DAA402NJ1	Aluminum powder coating, w/o traffic flow light	2 flat steps
2	DAA402NJ2	Aluminum powder coating, with traffic flow light	2 flat steps
3	DAA402NJ3	Aluminum powder coating, w/o traffic flow light	3 flat steps
4	DAA402NJ4	Aluminum powder coating, with traffic flow light	3 flat steps
5	DAA402NJ5	Aluminum FO7, w/o traffic flow light	2 flat steps
6	DAA402NJ6	Aluminum FO7, with traffic flow light	2 flat steps
7	DAA402NJ7	Aluminum FO7, w/o traffic flow light	3 flat steps
8	DAA402NJ8	Aluminum FO7, with traffic flow light	3 flat steps

**Common Decking**

Common decking (ONLY FOR 30° )

- 508NCE\_ANSI, Aluminum FO7;
- 508NCE\_ANSI, ST.ST. G2.
- 



**DAA26228CJ**

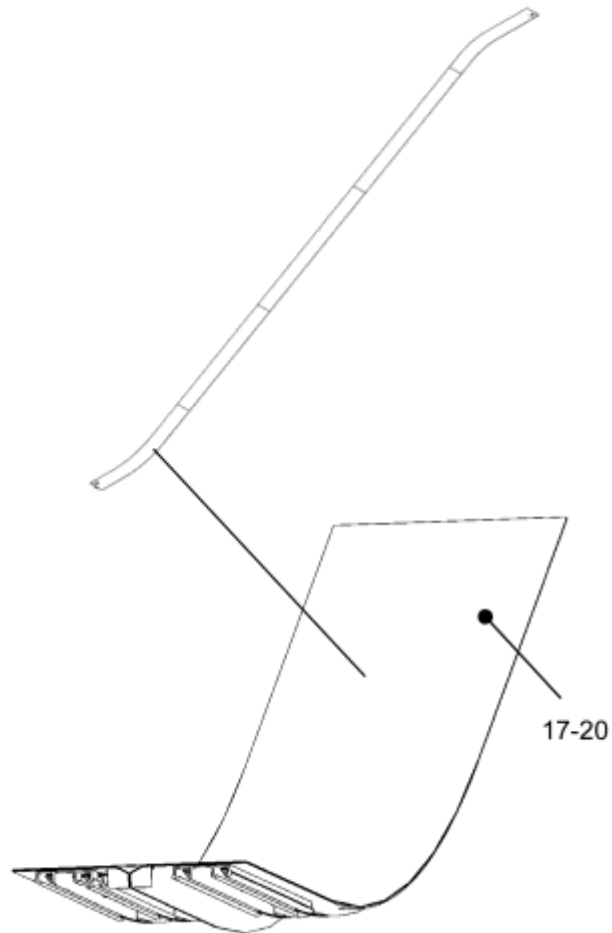
**LOWER LANDING = LL**

<b>REF. No.</b>	<b>PART No.</b>	<b>DESCRIPTION</b>	<b>TYPE</b>
9	DAA402NJ9	Aluminum FO10, w/o traffic flow light	2 flat steps
10	DAA402NJ10	Aluminum FO10, with traffic flow light	2 flat steps
11	DAA402NJ11	Aluminum FO10, w/o traffic flow light	3 flat steps
12	DAA402NJ12	Aluminum FO10, with traffic flow light	3 flat steps
13	DAA402NJ13	ST.ST. G2, w/o traffic flow light	2 flat steps
14	DAA402NJ14	ST.ST. G2, with traffic flow light	2 flat steps
15	DAA402NJ15	ST.ST. G2, w/o traffic flow light	3 flat steps
16	DAA402NJ16	ST.ST. G2, with traffic flow light	3 flat steps

**Common Decking**

Common decking, (ONLY FOR 30° )

- 508NCE\_ANSI, Bronze hairline 240#;
- 

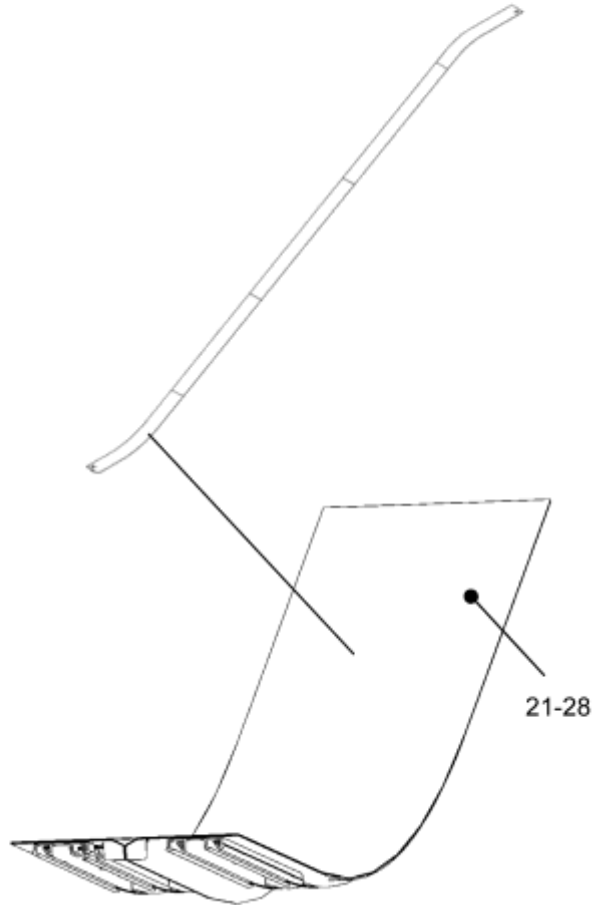


<b>DAA26228CJ</b>		<b>LOWER LANDING = LL</b>	
<b>REF. No.</b>	<b>PART No.</b>	<b>DESCRIPTION</b>	<b>TYPE</b>
17	DAA402NJ17	Bronze hairline 240#, w/o traffic flow light	2 flat steps
18	DAA402NJ18	Bronze hairline 240#, with traffic flow light	2 flat steps
19	DAA402NJ19	Bronze hairline 240#, w/o traffic flow light	3 flat steps
20	DAA402NJ20	Bronze hairline 240#, with traffic flow light	3 flat steps

**Common Decking**

Common decking (ONLY FOR 30° )

- 512NCE\_ANSI, Aluminum powder coating;
- 512NCE\_ANSI, Aluminum FO7.
- 



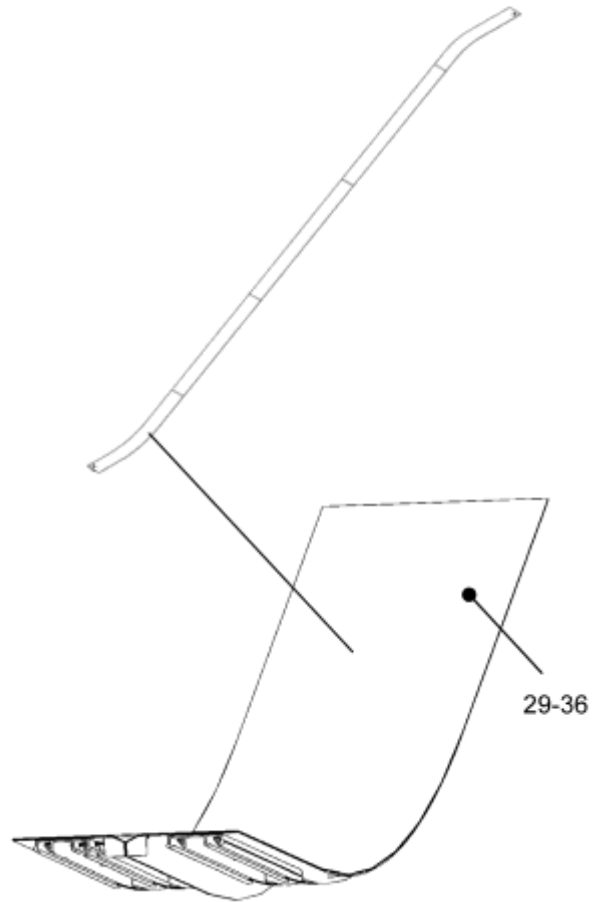
**DAA26228CJ LOWER LANDING = LL**

REF. No.	PART No.	DESCRIPTION	TYPE
21	DAA402NJ51	Aluminum powder coating, w/o traffic flow light	2 flat steps
22	DAA402NJ52	Aluminum powder coating, with traffic flow light	2 flat steps
23	DAA402NJ53	Aluminum powder coating, w/o traffic flow light	3 flat steps
24	DAA402NJ54	Aluminum powder coating, with traffic flow light	3 flat steps
25	DAA402NJ55	Aluminum FO7, w/o traffic flow light	2 flat steps
26	DAA402NJ56	Aluminum FO7, with traffic flow light	2 flat steps
27	DAA402NJ57	Aluminum FO7, w/o traffic flow light	3 flat steps
28	DAA402NJ58	Aluminum FO7, with traffic flow light	3 flat steps

**Common Decking**

Common decking (ONLY FOR 30° )

- 512NCE\_ANSI, Aluminum FO7;
- 512NCE\_ANSI, ST.ST. G2.

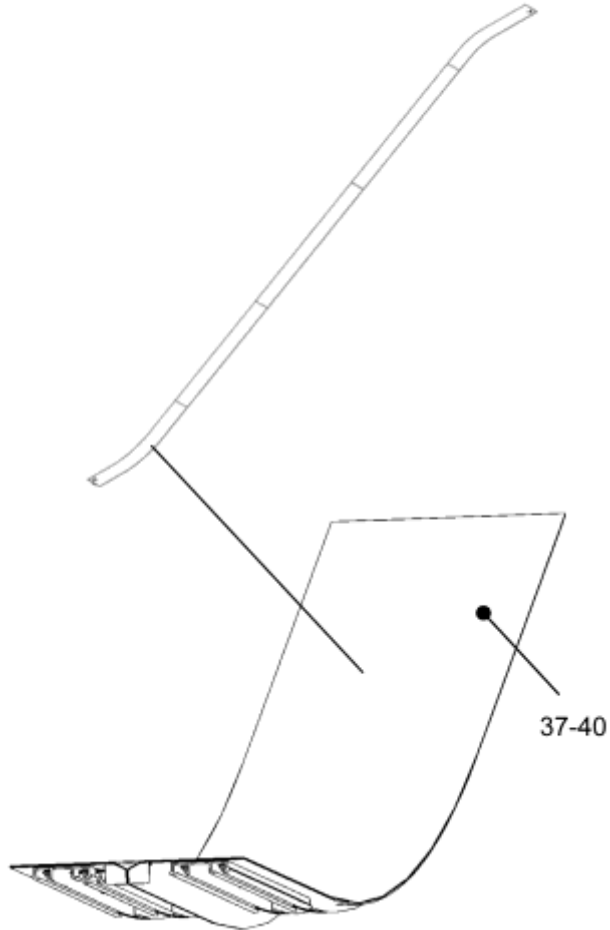


<b>DAA26228CJ</b>		<b>LOWER LANDING = LL</b>	
<b>REF. No.</b>	<b>PART No.</b>	<b>DESCRIPTION</b>	<b>TYPE</b>
29	DAA402NJ59	Aluminum FO10, w/o traffic flow light	2 flat steps
30	DAA402NJ60	Aluminum FO10, with traffic flow light	2 flat steps
31	DAA402NJ61	Aluminum FO10, w/o traffic flow light	3 flat steps
32	DAA402NJ62	Aluminum FO10, with traffic flow light	3 flat steps
33	DAA402NJ63	ST.ST. G2, w/o traffic flow light	2 flat steps
34	DAA402NJ64	ST.ST. G2, with traffic flow light	2 flat steps
35	DAA402NJ65	ST.ST. G2, w/o traffic flow light	3 flat steps
36	DAA402NJ66	ST.ST. G2, with traffic flow light	3 flat steps

**Common Decking**

Common decking (ONLY FOR 30° )

- 512NCE\_ANSI, Bronze hairline 240#;
- 



**DAA26228CJ LOWER LANDING = LL**

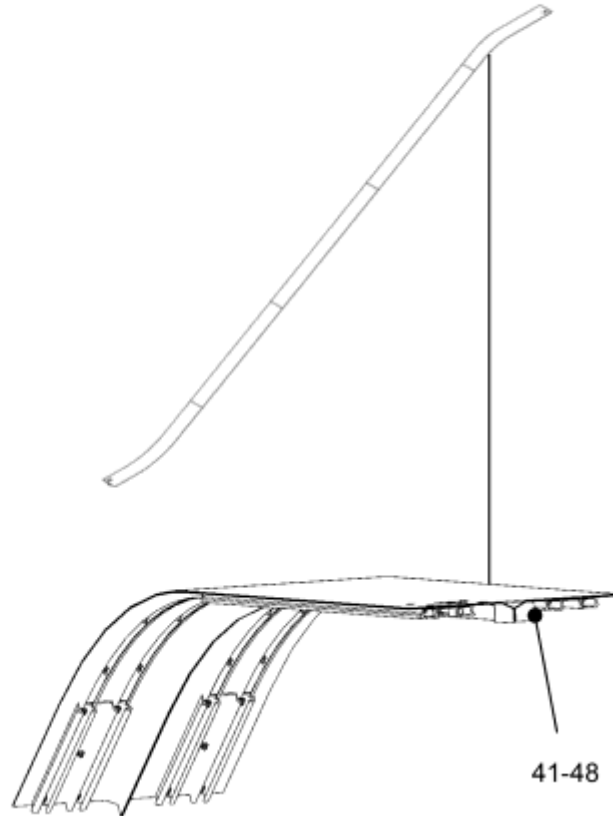
<b>REF. No.</b>	<b>PART No.</b>	<b>DESCRIPTION</b>	<b>TYPE</b>
37	DAA402NJ67	Bronze hairline 240#, w/o traffic flow light	2 flat steps
38	DAA402NJ68	Bronze hairline 240#, with traffic flow light	2 flat steps
39	DAA402NJ69	Bronze hairline 240#, w/o traffic flow light	3 flat steps
40	DAA402NJ70	Bronze hairline 240#, with traffic flow light	3 flat steps



**Common Decking**

Common decking (ONLY FOR 30° )

- 508NCE\_ANSI, Aluminum powder coating;
- 508NCE\_ANSI, Aluminum FO7.

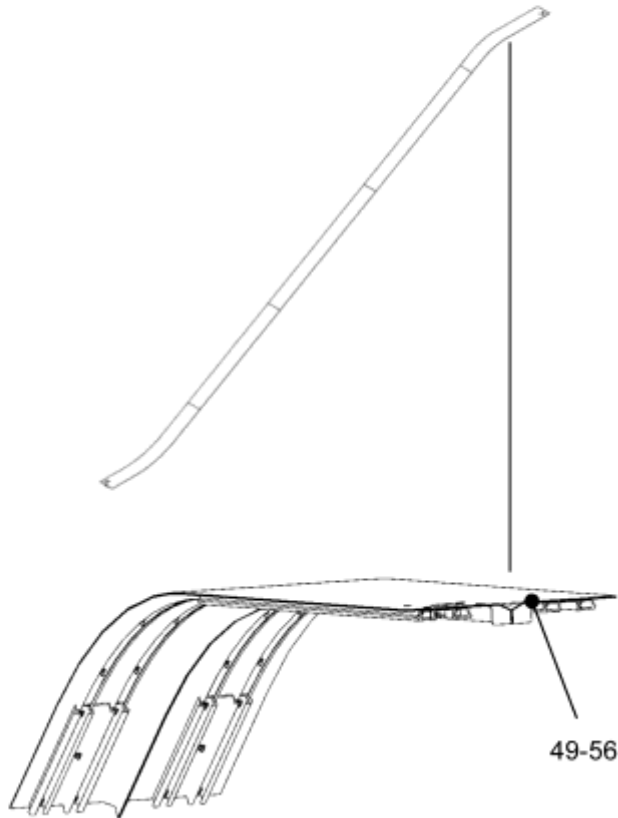


<b>DAA26228CJ</b>		<b>UPPER LANDING = UL</b>	
<b>REF. No.</b>	<b>PART No.</b>	<b>DESCRIPTION</b>	<b>TYPE</b>
41	DAA402NK1	Aluminum powder coating, w/o traffic flow light	2 flat steps
42	DAA402NK2	Aluminum powder coating, with traffic flow light	2 flat steps
43	DAA402NK3	Aluminum powder coating, w/o traffic flow light	3 flat steps
44	DAA402NK4	Aluminum powder coating, with traffic flow light	3 flat steps
45	DAA402NK5	Aluminum FO7, w/o traffic flow light	2 flat steps
46	DAA402NK6	Aluminum FO7, with traffic flow light	2 flat steps
47	DAA402NK7	Aluminum FO7, w/o traffic flow light	3 flat steps
48	DAA402NK8	Aluminum FO7, with traffic flow light	3 flat steps

**Common Decking**

Common decking (ONLY FOR 30° )

- 508NCE\_ANSI, Aluminum FO7;
- 508NCE\_ANSI, ST.ST. G2.

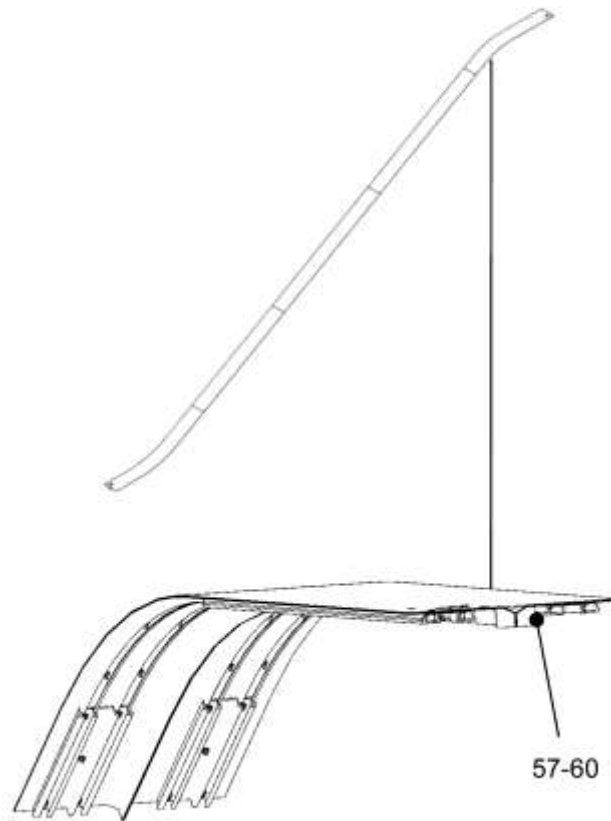


<b>DAA26228CJ</b>		<b>UPPER LANDING = UL</b>	
<b>REF. No.</b>	<b>PART No.</b>	<b>DESCRIPTION</b>	<b>TYPE</b>
49	DAA402NK9	Aluminum FO10, w/o traffic flow light	2 flat steps
50	DAA402NK10	Aluminum FO10, with traffic flow light	2 flat steps
51	DAA402NK11	Aluminum FO10, w/o traffic flow light	3 flat steps
52	DAA402NK12	Aluminum FO10, with traffic flow light	3 flat steps
53	DAA402NK13	ST.ST. G2, w/o traffic flow light	2 flat steps
54	DAA402NK14	ST.ST. G2, with traffic flow light	2 flat steps
55	DAA402NK15	ST.ST. G2, w/o traffic flow light	3 flat steps
56	DAA402NK16	ST.ST. G2, with traffic flow light	3 flat steps

**Common Decking**

Common decking (ONLY FOR 30° )

- 508NCE\_ANSI, Bronze hairline 240#;

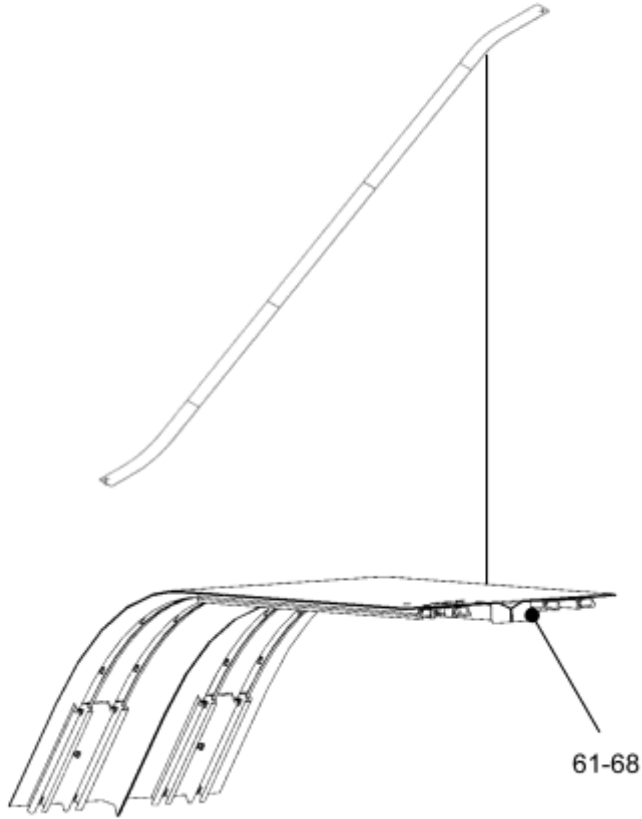


<b>DAA26228CJ</b>		<b>UPPER LANDING = UL</b>	
<b>REF. No.</b>	<b>PART No.</b>	<b>DESCRIPTION</b>	<b>TYPE</b>
57	DAA402NK17	Bronze hairline 240#, w/o traffic flow light	2 flat steps
58	DAA402NK18	Bronze hairline 240#, with traffic flow light	2 flat steps
59	DAA402NK19	Bronze hairline 240#, w/o traffic flow light	3 flat steps
60	DAA402NK20	Bronze hairline 240#, with traffic flow light	3 flat steps

**Common Decking**

Common decking (ONLY FOR 30° )

- 512NCE\_ANSI, Aluminum powder coating;
- 512NCE\_ANSI, Aluminum FO7.

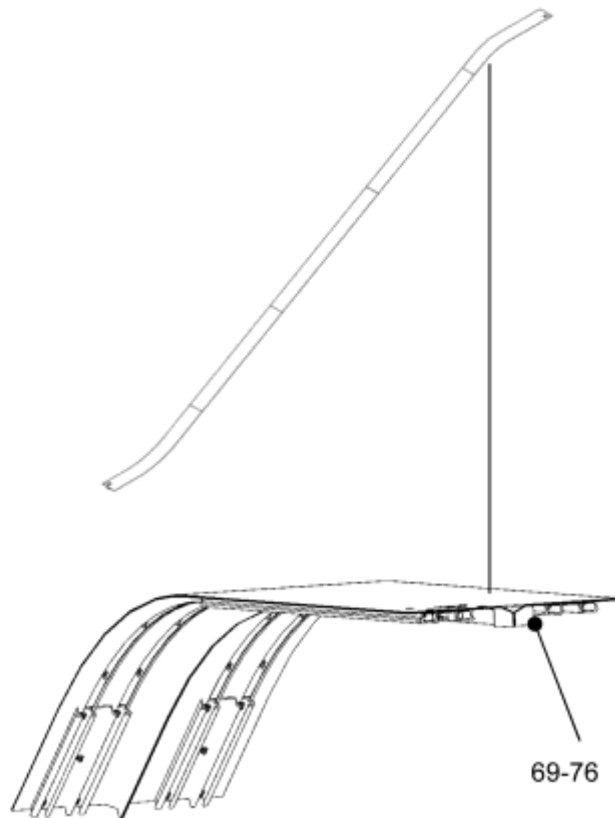


<b>DAA26228CJ</b>		<b>UPPER LANDING = UL</b>	
<b>REF. No.</b>	<b>PART No.</b>	<b>DESCRIPTION</b>	<b>TYPE</b>
61	DAA402NK51	Aluminum powder coating, w/o traffic flow light	2 flat steps
62	DAA402NK52	Aluminum powder coating, with traffic flow light	2 flat steps
63	DAA402NK53	Aluminum powder coating, w/o traffic flow light	3 flat steps
64	DAA402NK54	Aluminum powder coating, with traffic flow light	3 flat steps
65	DAA402NK55	Aluminum FO7, w/o traffic flow light	2 flat steps
66	DAA402NK56	Aluminum FO7, with traffic flow light	2 flat steps
67	DAA402NK57	Aluminum FO7, w/o traffic flow light	3 flat steps
68	DAA402NK58	Aluminum FO7, with traffic flow light	3 flat steps

**Common Decking**

Common decking (ONLY FOR 30° )

- 512NCE\_ANSI, Aluminum FO7;
- 512NCE\_ANSI, ST.ST. G2.

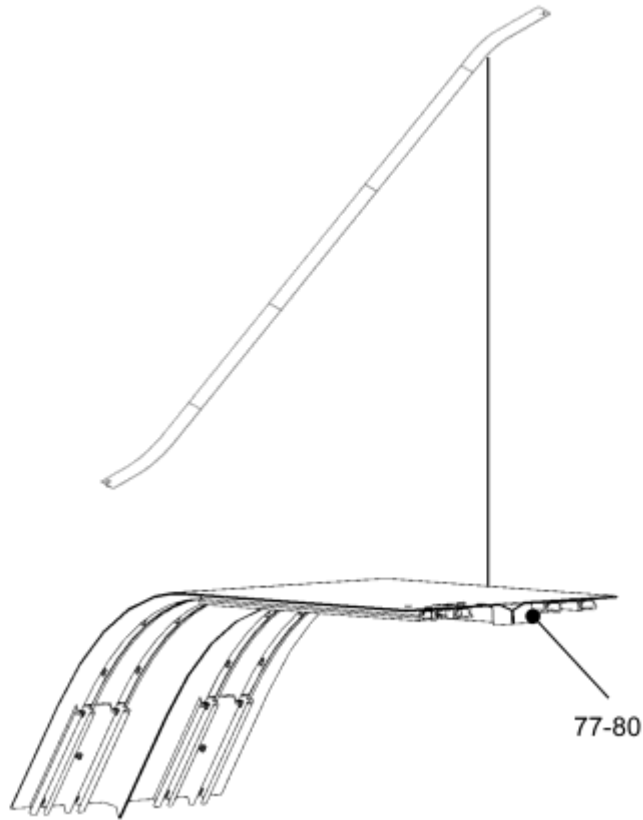


<b>DAA26228CJ</b>		<b>UPPER LANDING = UL</b>	
<b>REF. No.</b>	<b>PART No.</b>	<b>DESCRIPTION</b>	<b>TYPE</b>
69	DAA402NK59	Aluminum FO10, w/o traffic flow light	2 flat steps
70	DAA402NK60	Aluminum FO10, with traffic flow light	2 flat steps
71	DAA402NK61	Aluminum FO10, w/o traffic flow light	3 flat steps
72	DAA402NK62	Aluminum FO10, with traffic flow light	3 flat steps
73	DAA402NK63	ST.ST. G2, w/o traffic flow light	2 flat steps
74	DAA402NK64	ST.ST. G2, with traffic flow light	2 flat steps
75	DAA402NK65	ST.ST. G2, w/o traffic flow light	3 flat steps
76	DAA402NK66	ST.ST. G2, with traffic flow light	3 flat steps

**Common Decking**

Common decking (ONLY FOR 30° )

- 512NCE\_ANSI, Bronze hairline 240#;

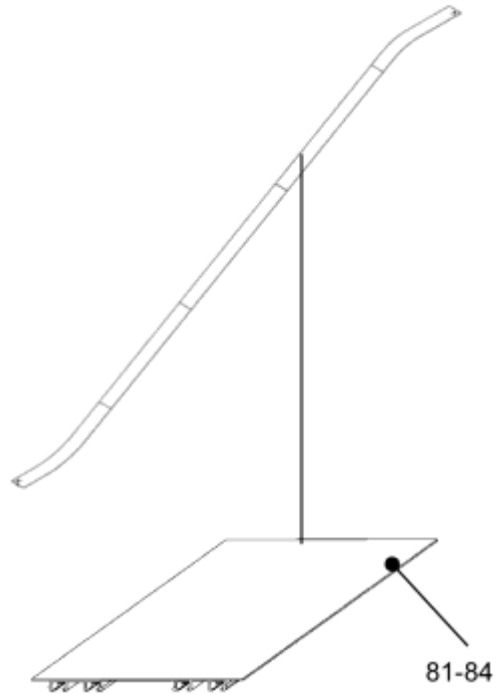


<b>DAA26228CJ</b>		<b>UPPER LANDING = UL</b>	
<b>REF. No.</b>	<b>PART No.</b>	<b>DESCRIPTION</b>	<b>TYPE</b>
77	DAA402NK67	Bronze hairline 240#, w/o traffic flow light	2 flat steps
78	DAA402NK68	Bronze hairline 240#, with traffic flow light	2 flat steps
79	DAA402NK69	Bronze hairline 240#, w/o traffic flow light	3 flat steps
80	DAA402NK70	Bronze hairline 240#, with traffic flow light	3 flat steps

**Common Decking**

Common decking (ONLY FOR 30° )

- 508NCE\_ANSI, Aluminum powder coating;
- 508NCE\_ANSI, Aluminum FO7.
- 512NCE\_ANSI, Aluminum powder coating;
- 512NCE\_ANSI, Aluminum FO7.

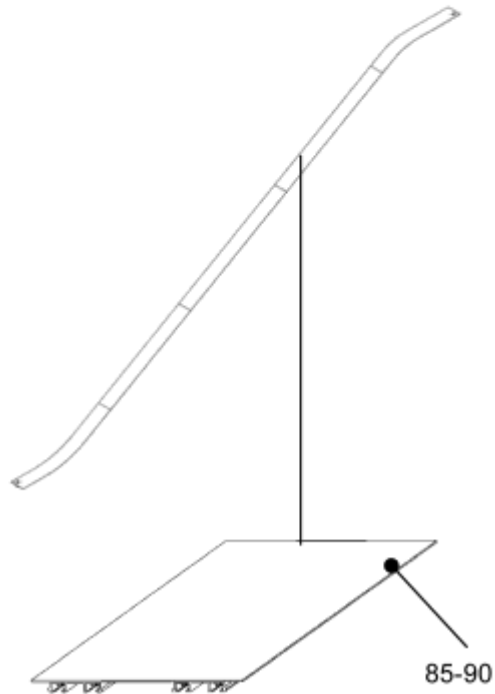


<b>DAA26228CJ</b>			
<b>REF. No.</b>	<b>PART No.</b>	<b>DESCRIPTION</b>	<b>TYPE</b>
81	DAA402NL1	Aluminum powder coating,	L = 2960 mm
82	DAA402NL3	Aluminum powder coating,	L = 1960 mm
83	DAA402NL4	Aluminum FO7, L = 2960 mm	L = 2960 mm
84	DAA402NL6	Aluminum FO7, L = 1960 mm	L = 1960 mm

**Common Decking**

Common decking (ONLY FOR 30° )

- 508NCE\_ANSI, Aluminum FO10;
- 508NCE\_ANSI, ST.ST. G2.;
- 508NCE\_ANSI, Bronze hairline 240#;
- 512NCE\_ANSI, Aluminum FO10;
- 512NCE\_ANSI, ST.ST. G2.
- 512NCE\_ANSI, Bronze hairline 240#.



<b>DAA26228CJ</b>			
<b>REF. No.</b>	<b>PART No.</b>	<b>DESCRIPTION</b>	<b>TYPE</b>
85	DAA402NL7	Aluminum FO10,	L = 2960 mm
86	DAA402NL9	Aluminum FO10,	L = 1960 mm
87	DAA402NL10	ST.ST. G2.	L = 2960 mm
88	DAA402NL12	ST.ST. G2.	L = 1960 mm
89	DAA402NL13	Bronze hairline 240#,	L = 2960 mm
90	DAA402NL15	Bronze hairline 240#,	L = 1960 mm