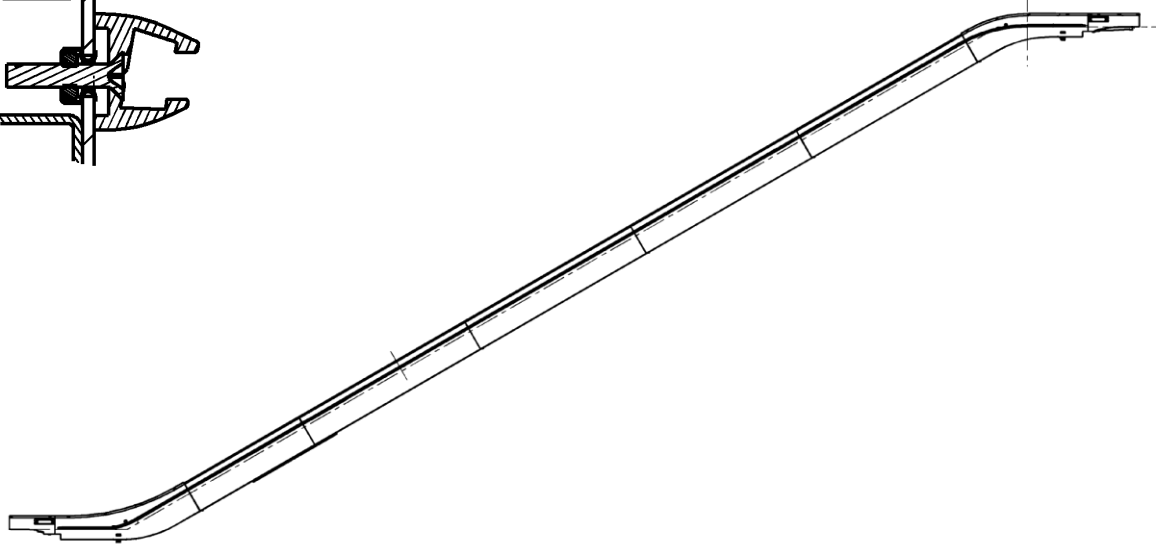
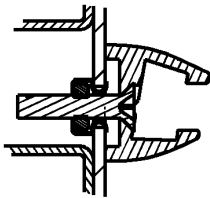
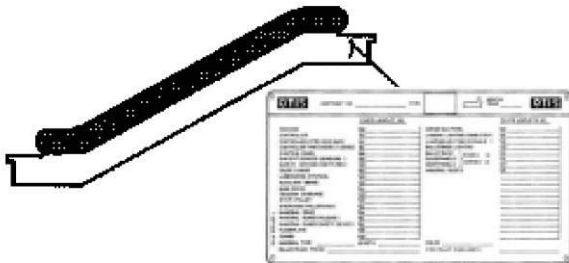


**508NCE / 512NCE ESCALATOR  
Skirt Panel**

**Spare Parts Leaflet**

**57-DAA26228CY**

**June 30, 2017, Page 1 of 51**



**Notes:**

The 'left side' and 'right side' is defined when passenger stands at the lower landing, facing the escalator

**OTIS**

**Safety First!**

**ESCALATOR ENGINEERING**  
Otis Elevator Company  
SIT GUANGZHOU

**56- DAA26228CY**

## History

### Leaflet Description

ANSI Glass Balustrade Skirt panel

- 508NCE ANSI

- 512NCE ANSI

### Leaflet Revisions

Date Revised	Subject Matter Expert	Reason for Revision
2014-07-15	Li Biao	Original document
2017-06-30	Zhang Hengxun	Parts of brush holder (REF. No. 239-266) added.

### Related Drawings

Drawing No.	Title	Drawing No.	Title
DAA26228CY	Skirt Panel		

### Related Documents

Document ID	Title
ODS DAA27076HN	Skirt Panel

### Subject Matter Expert

Name	Department
Li Biao	SIT-GUANGZHOU

### About Spare Parts Leaflets

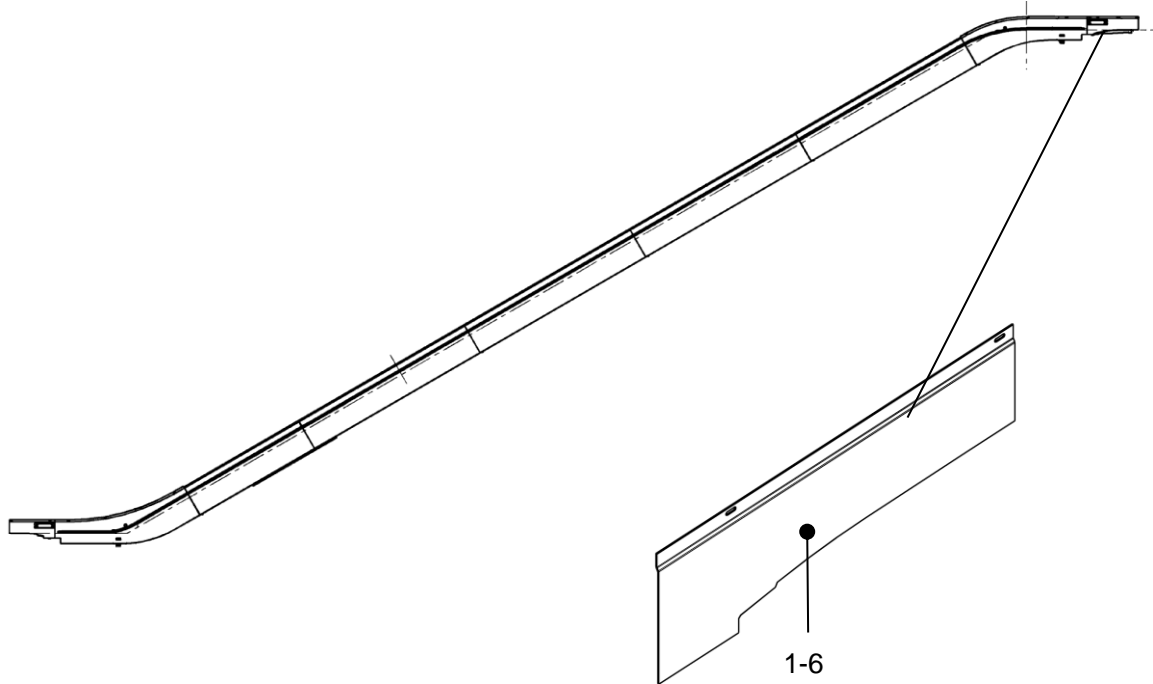
This document lists the lowest replaceable units (LRUs) for the standard version of the product. The LRUs are chosen by a team of Otis associates representing engineering and manufacturing.

While goal of this document is to make parts identification as easy as possible, the document cannot be all-inclusive. Elevator and escalator contracts classified as "special" or "custom" are not addressed here. For such contracts, please refer to specified information, the contract folder, TIPs, Field Education Articles, Construction Letters, etc. for further information.

If you have any suggestions about this document, please contact the subject matter expert listed on this page.

**First skirt panel, for**

- **508NCE\_ANSI & 512NCE\_ANSI. Surface finish: RELIUS 536 coating black**
- **Only for aluminum floor plate**



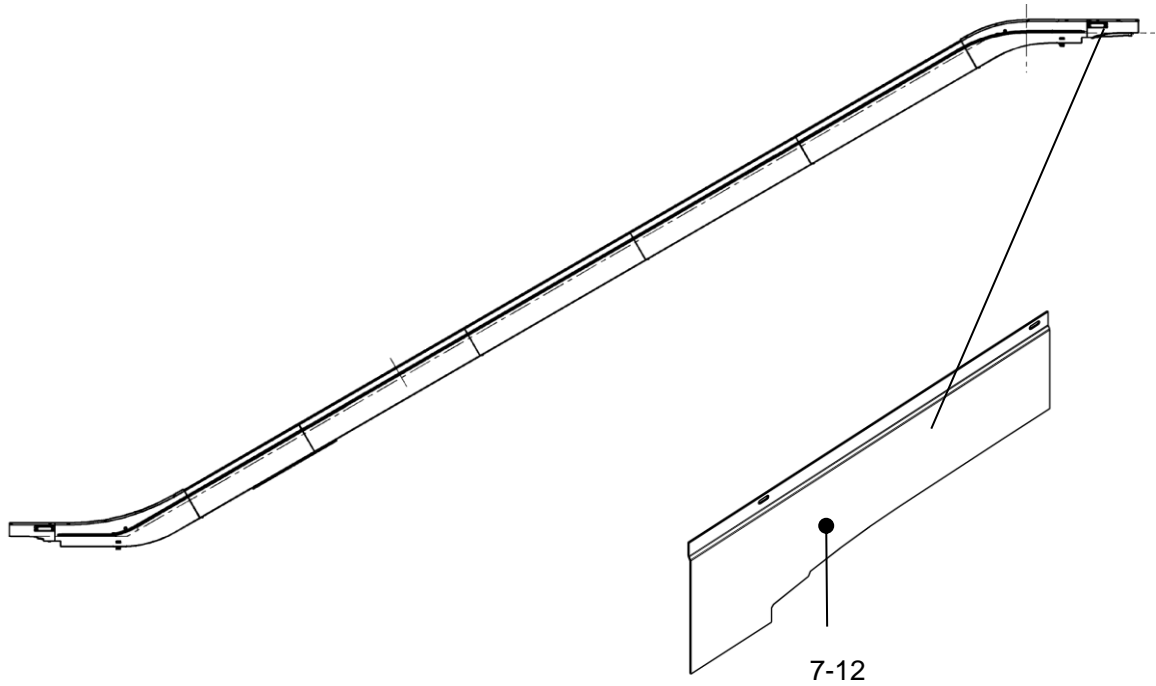
DAA26228CY		UPPER LANDING = UL	
REF. No.	PART No.	DESCRIPTION	TYPE
1	DAA438MB1	First skirt panel, w/o comb lighting & w/o skirt panel lighting, UL Left side.	2&3 flat steps
2	DAA438MB2	First skirt panel, w/o comb lighting & w/o skirt panel lighting, UL Right side.	
3	DAA438MB5	First skirt panel, w/o comb lighting & w/ skirt panel lighting, UL Left side.	
4	DAA438MB6	First skirt panel, w/o comb lighting & w/ skirt panel lighting, UL Right side.	
5	DAA438MB9	First skirt panel, w/ comb lighting & w/o skirt panel lighting, UL Left side.	
6	DAA438MB10	First skirt panel, w/ comb lighting & w/o skirt panel lighting, UL Right side.	

**508NCE / 512NCE ESCALATOR  
Skirt Panel**

**57-DAA26228CY**

First skirt panel, for

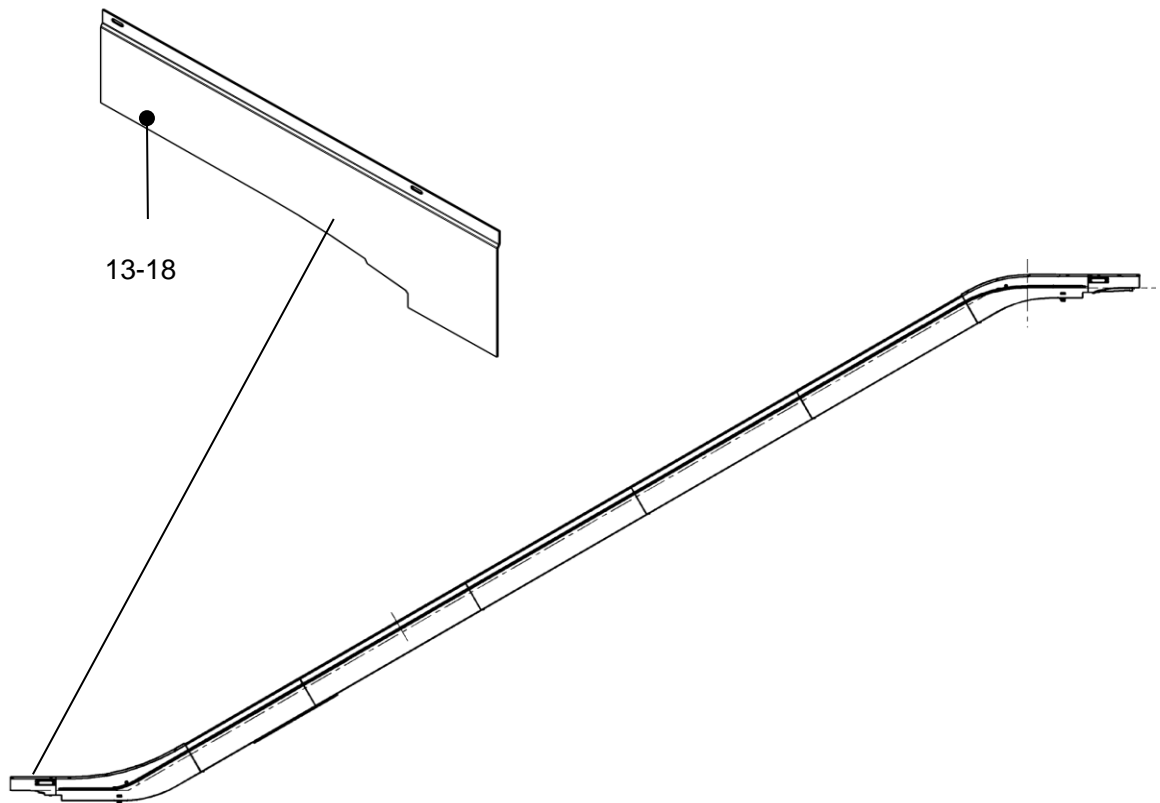
- 508NCE\_ANSI & 512NCE\_ANSI. Surface finish: G2 + RELIUS 536 I coating transparent
- Only for aluminum floor plate



DAA26228CY		UPPER LANDING = UL	
REF. No.	PART No.	DESCRIPTION	TYPE
7	DAA438MB13	First skirt panel, w/o comb lighting & w/o skirt panel lighting, UL Left side.	2&3 flat steps
8	DAA438MB14	First skirt panel, w/o comb lighting & w/o skirt panel lighting, UL Right side.	
9	DAA438MB17	First skirt panel, w/o comb lighting & w/ skirt panel lighting, UL Left side.	
10	DAA438MB18	First skirt panel, w/o comb lighting & w/ skirt panel lighting, UL Right side.	
11	DAA438MB21	First skirt panel, w/ comb lighting & w/o skirt panel lighting, UL Left side.	
12	DAA438MB22	First skirt panel, w/ comb lighting & w/o skirt panel lighting, UL Right side.	

First skirt panel, for

- 508NCE\_ANSI. Surface finish: RELIUS 536 coating black.
- Only for aluminum floor plate



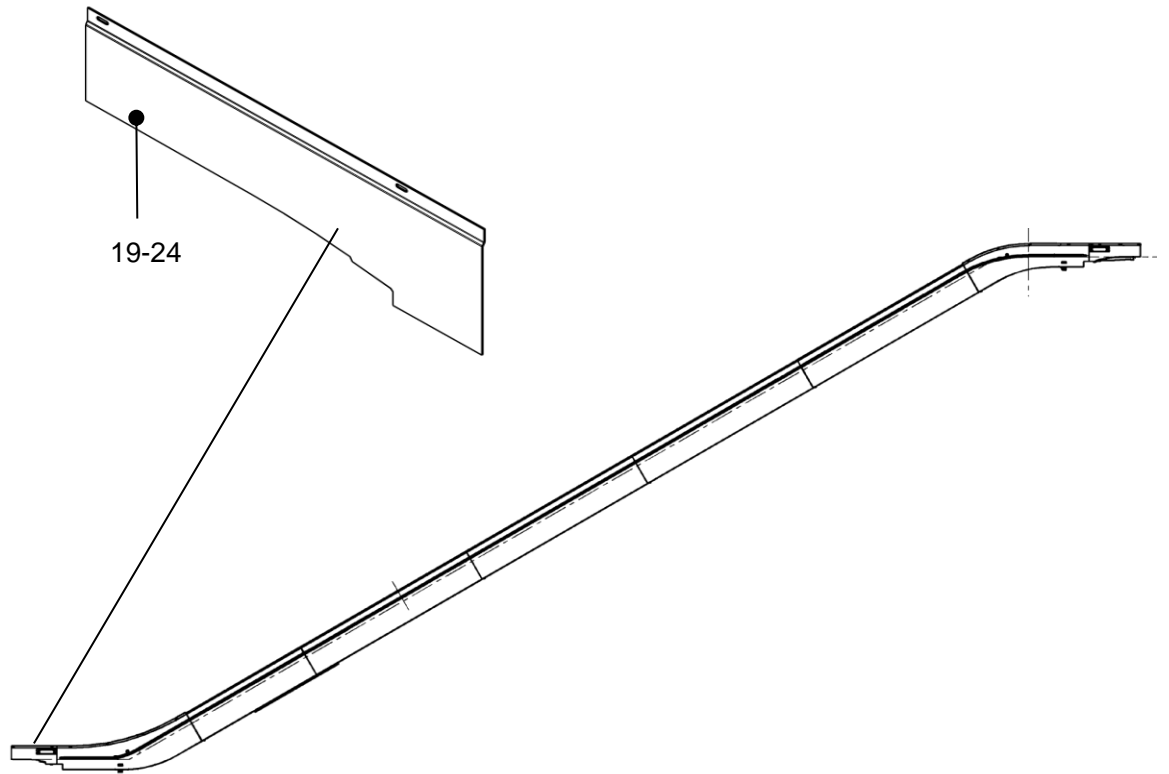
DAA26228CY		LOWER LANDING = LL	
REF. No.	PART No.	DESCRIPTION	TYPE
13	DAA438MB3	First skirt panel, w/o comb lighting & w/o skirt panel lighting, LL Left side.	2&3 flat steps
14	DAA438MB4	First skirt panel, w/o comb lighting & w/o skirt panel lighting, LL Right side.	
15	DAA438MB7	First skirt panel, w/o comb lighting & w/ skirt panel lighting, LL Left side.	
16	DAA438MB8	First skirt panel, w/o comb lighting & w/ skirt panel lighting, LL Right side.	
17	DAA438MB11	First skirt panel, w/ comb lighting & w/o skirt panel lighting, LL Left side.	
18	DAA438MB12	First skirt panel, w/ comb lighting & w/o skirt panel lighting, LL Right side.	

**508NCE / 512NCE ESCALATOR  
Skirt Panel**

**57-DAA26228CY**

First skirt panel, for

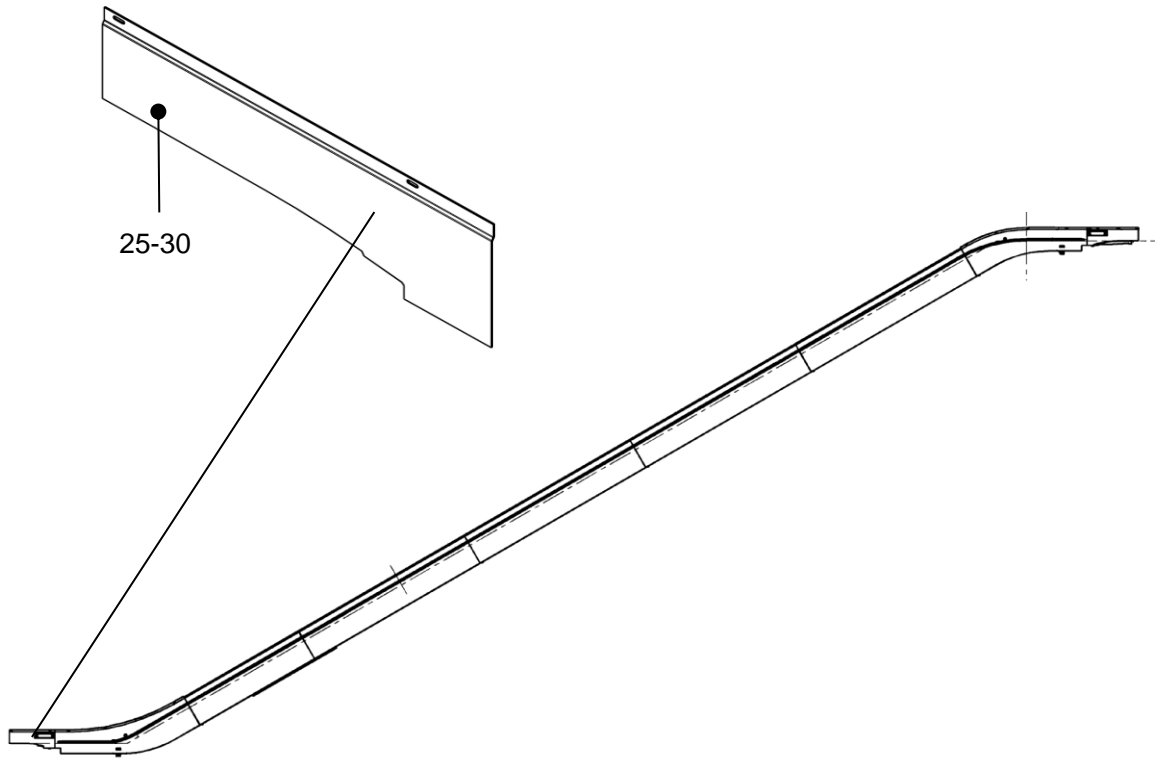
- 508NCE\_ANSI. Surface finish: G2 + RELIUS 536 I coating transparent.
- Only for aluminum floor plate



DAA26228CY		LOWER LANDING = LL	
REF. No.	PART No.	DESCRIPTION	TYPE
19	DAA438MB15	First skirt panel, w/o comb lighting & w/o skirt panel lighting, LL Left side.	2&3 flat steps
20	DAA438MB16	First skirt panel, w/o comb lighting & w/o skirt panel lighting, LL Right side.	
21	DAA438MB19	First skirt panel, w/o comb lighting & w/ skirt panel lighting, LL Left side.	
22	DAA438MB20	First skirt panel, w/o comb lighting & w/ skirt panel lighting, LL Right side.	
23	DAA438MB23	First skirt panel, w/ comb lighting & w/o skirt panel lighting, LL Left side.	
24	DAA438MB24	First skirt panel, w/ comb lighting & w/o skirt panel lighting, LL Right side.	

First skirt panel, for

- 512NCE\_ANSI. Surface finish: RELIUS 536 coating black.
- Only for aluminum floor plate



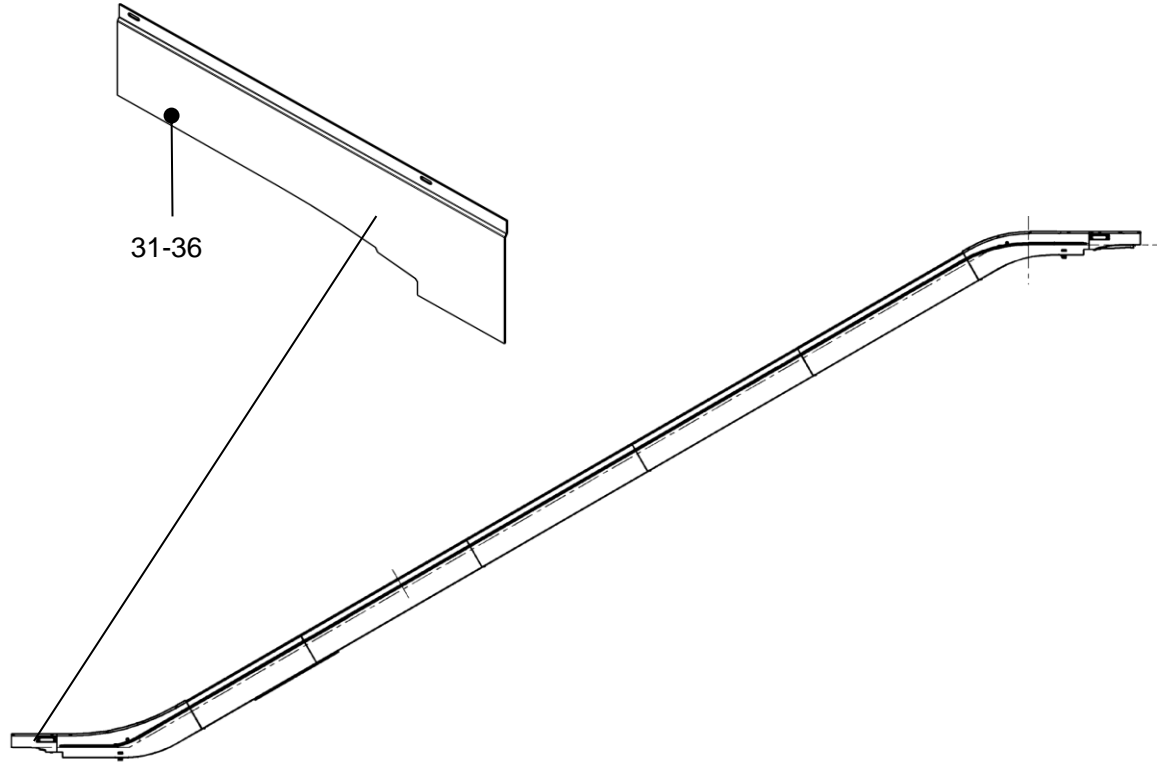
DAA26228CY		LOWER LANDING = LL	
REF. No.	PART No.	DESCRIPTION	TYPE
25	DAA438MB1	First skirt panel, w/o comb lighting & w/o skirt panel lighting, LL Left side.	2&3 flat steps
26	DAA438MB2	First skirt panel, w/o comb lighting & w/o skirt panel lighting, LL Right side.	
27	DAA438MB5	First skirt panel, w/o comb lighting & w/ skirt panel lighting, LL Left side.	
28	DAA438MB6	First skirt panel, w/o comb lighting & w/ skirt panel lighting, LL Right side.	
29	DAA438MB9	First skirt panel, w/ comb lighting & w/o skirt panel lighting, LL Left side.	
30	DAA438MB10	First skirt panel, w/ comb lighting & w/o skirt panel lighting, LL Right side.	

**508NCE / 512NCE ESCALATOR  
Skirt Panel**

**57-DAA26228CY**

First skirt panel, for

- 512NCE\_ANSI. Surface finish: G2 + RELIUS 536 I coating transparent.
- Only for aluminum floor plate

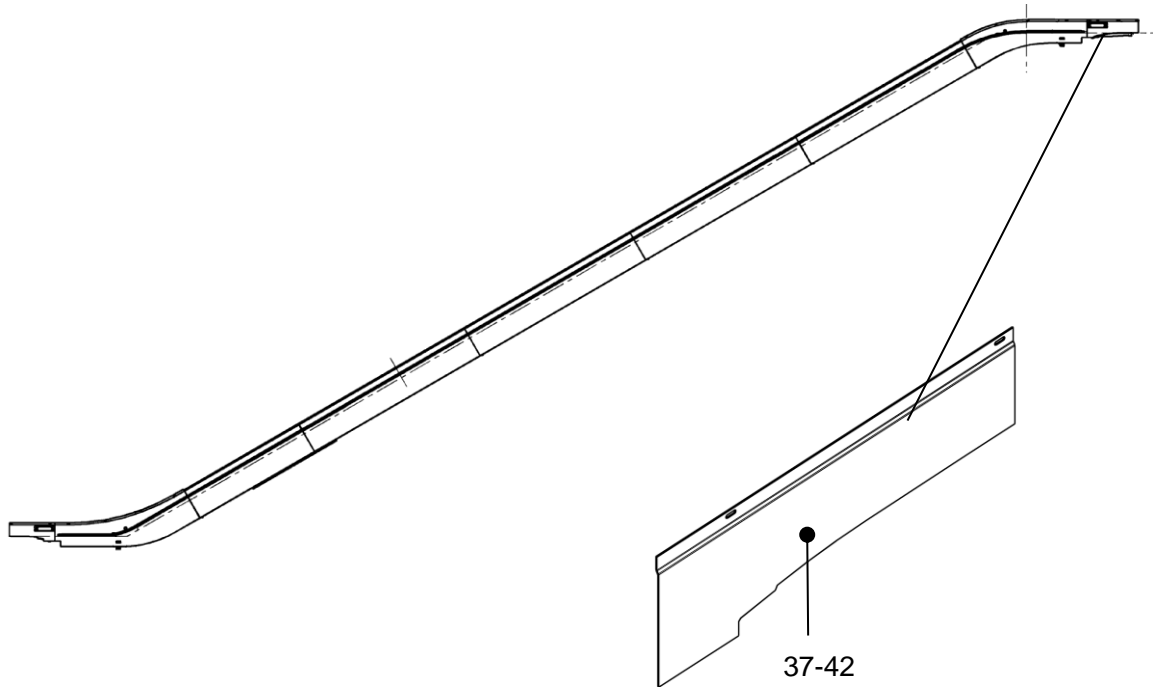


DAA26228CY		LOWER LANDING = LL	
REF. No.	PART No.	DESCRIPTION	TYPE
31	DAA438MB13	First skirt panel, w/o comb lighting & w/o skirt panel lighting, LL Left side.	2&3 flat steps
32	DAA438MB14	First skirt panel, w/o comb lighting & w/o skirt panel lighting, LL Right side.	
33	DAA438MB17	First skirt panel, w/o comb lighting & w/ skirt panel lighting, LL Left side.	
34	DAA438MB18	First skirt panel, w/o comb lighting & w/ skirt panel lighting, LL Right side.	
35	DAA438MB21	First skirt panel, w/ comb lighting & w/o skirt panel lighting, LL Left side.	
36	DAA438MB22	First skirt panel, w/ comb lighting & w/o skirt panel lighting, LL Right side.	



First skirt panel, for

- 508NCE\_ANSI & 512NCE\_ANSI. Surface finish: RELIUS 536 coating black
- Only for steel floor plate



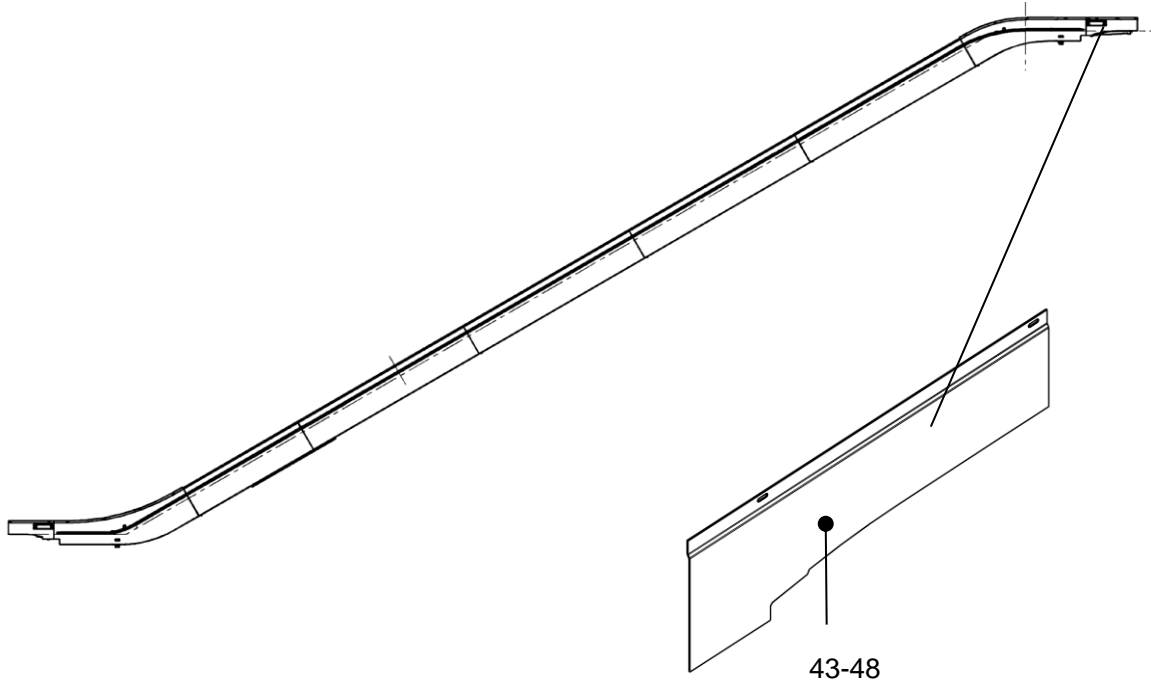
DAA26228CY		UPPER LANDING = UL	
REF. No.	PART No.	DESCRIPTION	TYPE
37	DAA438RM1	First skirt panel, w/o comb lighting & w/o skirt panel lighting, UL Left side.	2&3 flat steps
38	DAA438RM2	First skirt panel, w/o comb lighting & w/o skirt panel lighting, UL Right side.	
39	DAA438RM5	First skirt panel, w/o comb lighting & w/ skirt panel lighting, UL Left side.	
40	DAA438RM6	First skirt panel, w/o comb lighting & w/ skirt panel lighting, UL Right side.	
41	DAA438RM9	First skirt panel, w/ comb lighting & w/o skirt panel lighting, UL Left side.	
42	DAA438RM10	First skirt panel, w/ comb lighting & w/o skirt panel lighting, UL Right side.	

**508NCE / 512NCE ESCALATOR  
Skirt Panel**

**57-DAA26228CY**

First skirt panel, for

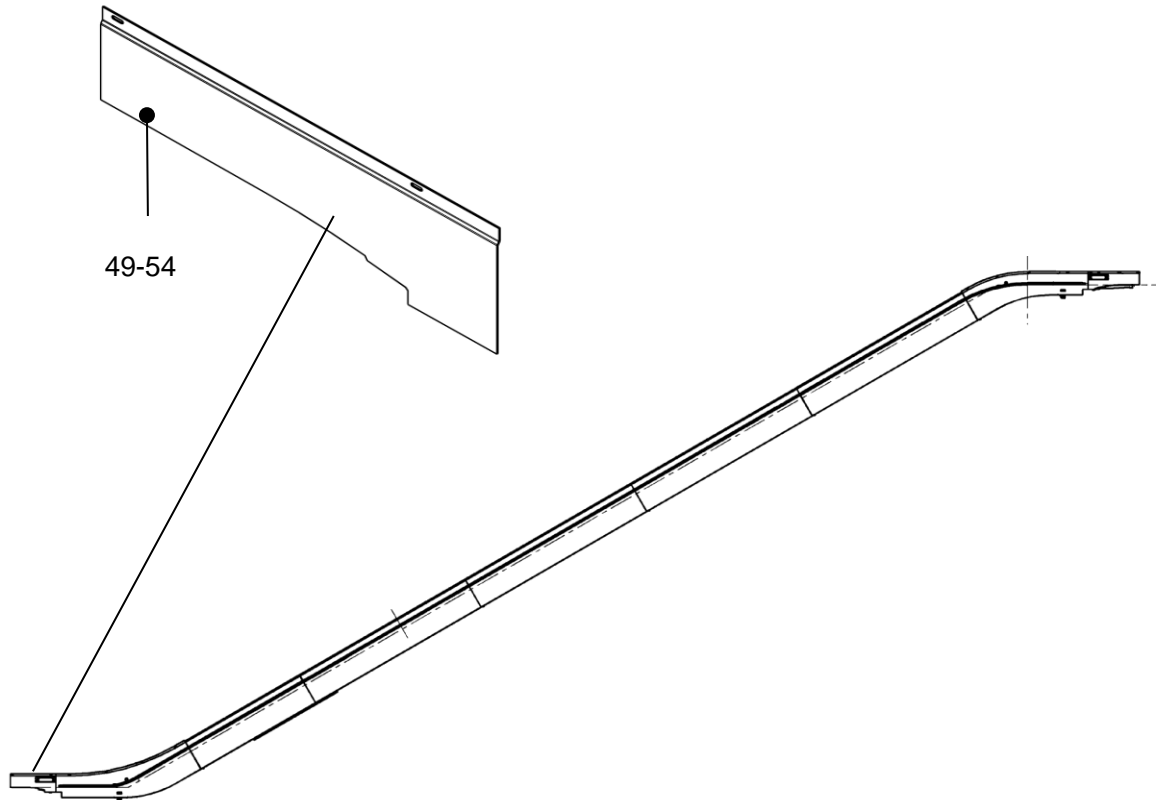
- 508NCE\_ANSI & 512NCE\_ANSI. Surface finish: G2 + RELIUS 536 I coating transparent
- Only for steel floor plate



DAA26228CY		UPPER LANDING = UL	
REF. No.	PART No.	DESCRIPTION	TYPE
43	DAA438RM13	First skirt panel, w/o comb lighting & w/o skirt panel lighting, UL Left side.	2&3 flat steps
44	DAA438RM14	First skirt panel, w/o comb lighting & w/o skirt panel lighting, UL Right side.	
45	DAA438RM17	First skirt panel, w/o comb lighting & w/ skirt panel lighting, UL Left side.	
46	DAA438RM18	First skirt panel, w/o comb lighting & w/ skirt panel lighting, UL Right side.	
47	DAA438RM21	First skirt panel, w/ comb lighting & w/o skirt panel lighting, UL Left side.	
48	DAA438RM22	First skirt panel, w/ comb lighting & w/o skirt panel lighting, UL Right side.	

**First skirt panel, for**

- **508NCE\_ANSI. Surface finish: RELIUS 536 coating black.**
- **Only for steel floor plate**



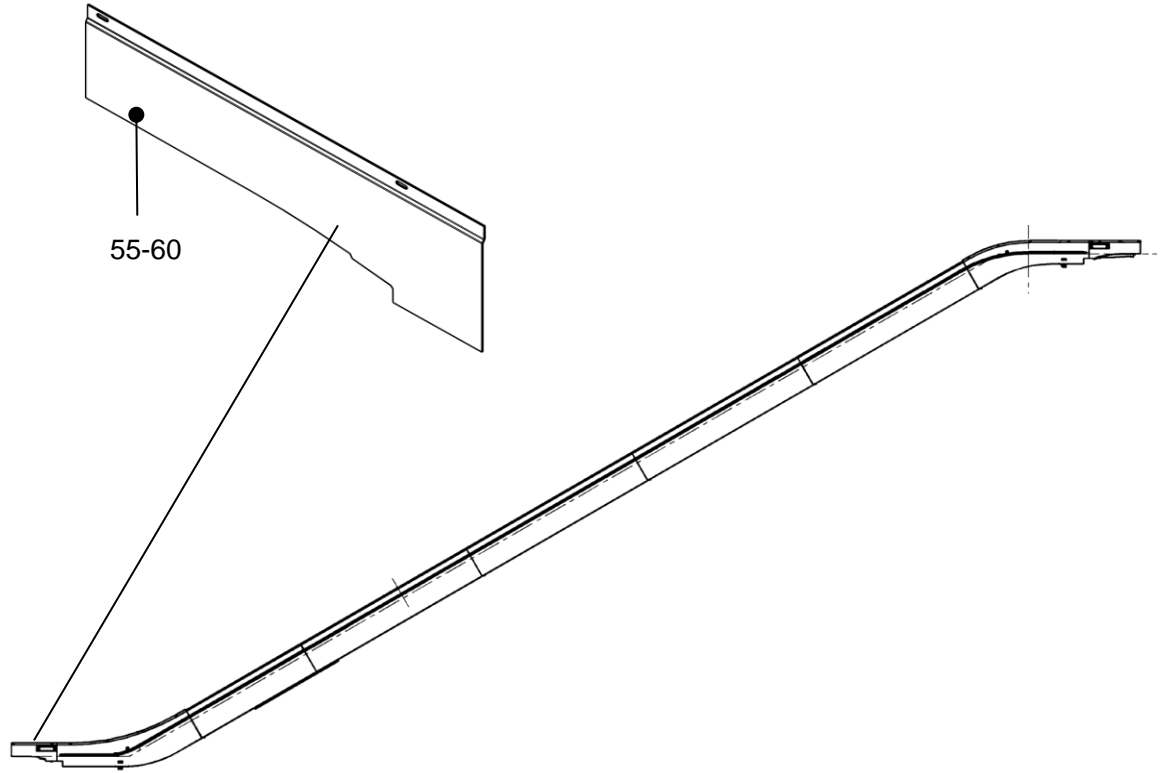
DAA26228CY		LOWER LANDING = LL	
REF. No.	PART No.	DESCRIPTION	TYPE
49	DAA438RM3	First skirt panel, w/o comb lighting & w/o skirt panel lighting, LL Left side.	2&3 flat steps
50	DAA438RM4	First skirt panel, w/o comb lighting & w/o skirt panel lighting, LL Right side.	
51	DAA438RM7	First skirt panel, w/o comb lighting & w/ skirt panel lighting, LL Left side.	
52	DAA438RM8	First skirt panel, w/o comb lighting & w/ skirt panel lighting, LL Right side.	
53	DAA438RM11	First skirt panel, w/ comb lighting & w/o skirt panel lighting, LL Left side.	
54	DAA438RM12	First skirt panel, w/ comb lighting & w/o skirt panel lighting, LL Right side.	

**508NCE / 512NCE ESCALATOR  
Skirt Panel**

**57-DAA26228CY**

First skirt panel, for

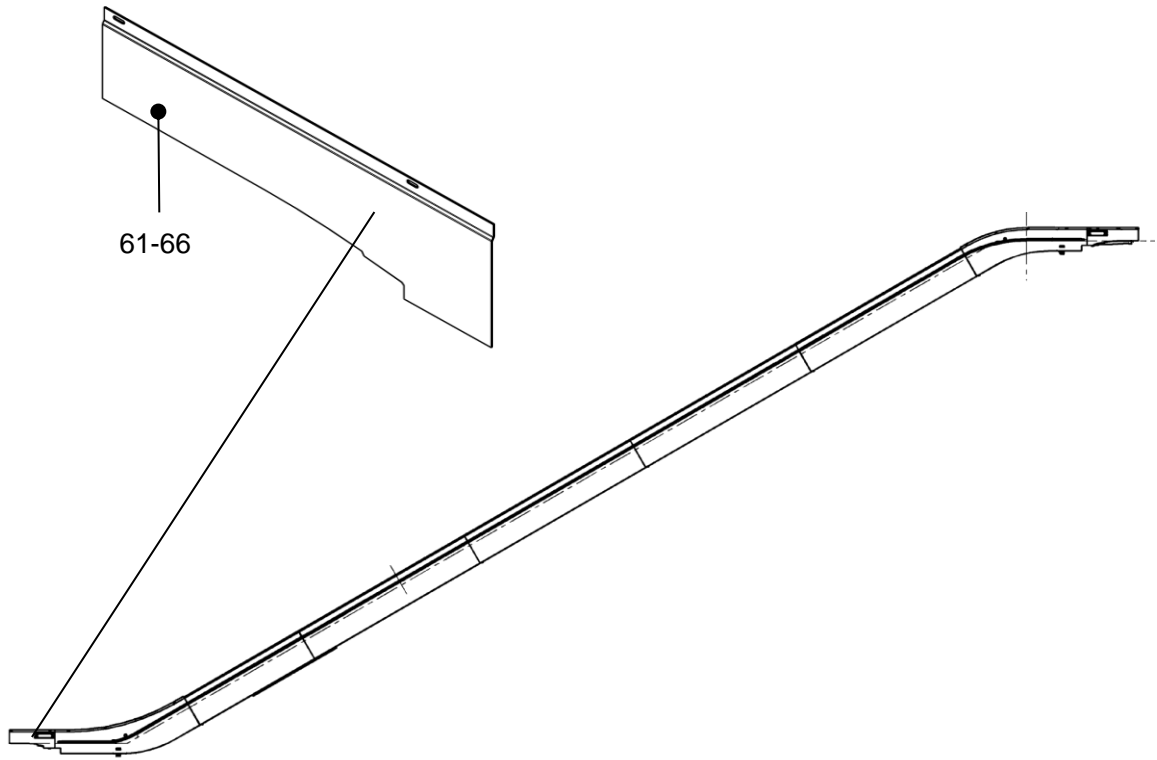
- 508NCE\_ANSI. Surface finish: G2 + RELIUS 536 I coating transparent.
- Only for steel floor plate



DAA26228CY		LOWER LANDING = LL	
REF. No.	PART No.	DESCRIPTION	TYPE
55	DAA438RM15	First skirt panel, w/o comb lighting & w/o skirt panel lighting, LL Left side.	2&3 flat steps
56	DAA438RM16	First skirt panel, w/o comb lighting & w/o skirt panel lighting, LL Right side.	
57	DAA438RM19	First skirt panel, w/o comb lighting & w/ skirt panel lighting, LL Left side.	
58	DAA438RM20	First skirt panel, w/o comb lighting & w/ skirt panel lighting, LL Right side.	
59	DAA438RM23	First skirt panel, w/ comb lighting & w/o skirt panel lighting, LL Left side.	
60	DAA438RM24	First skirt panel, w/ comb lighting & w/o skirt panel lighting, LL Right side.	

First skirt panel, for

- 512NCE\_ANSI. Surface finish: RELIUS 536 coating black.
- Only for steel floor plate



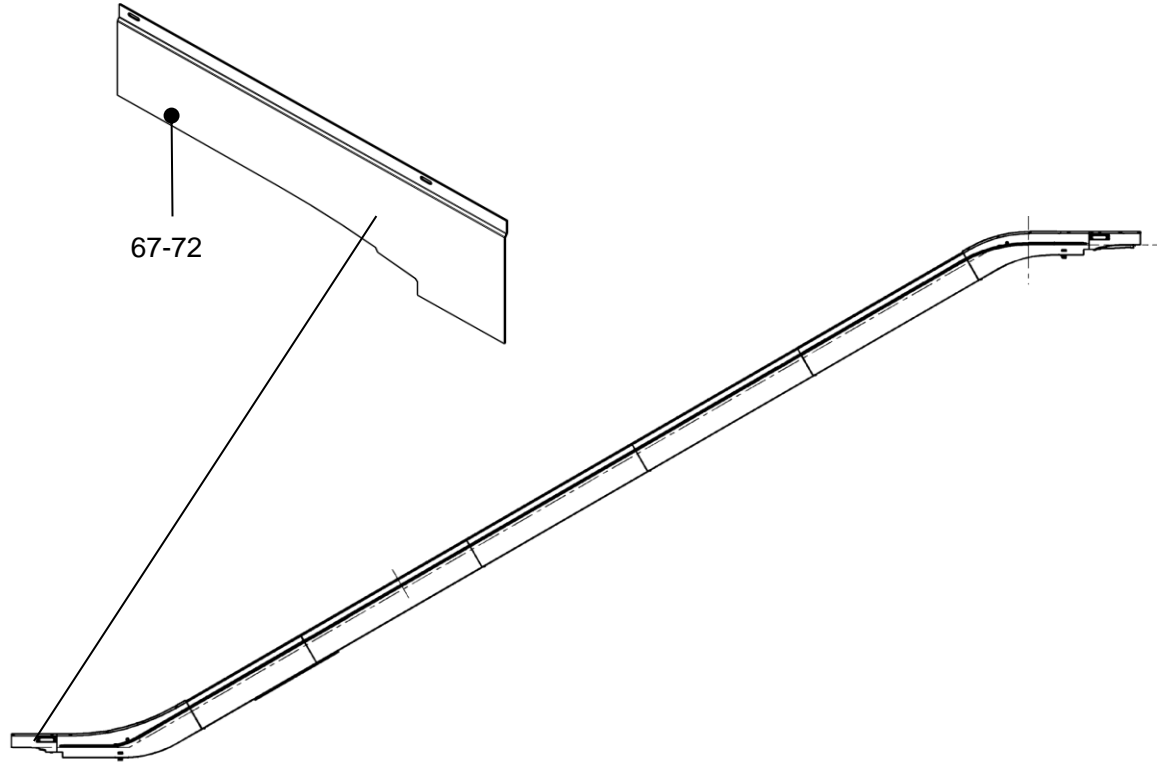
DAA26228CY		LOWER LANDING = LL	
REF. No.	PART No.	DESCRIPTION	TYPE
61	DAA438RM1	First skirt panel, w/o comb lighting & w/o skirt panel lighting, LL Left side.	2&3 flat steps
62	DAA438RM2	First skirt panel, w/o comb lighting & w/o skirt panel lighting, LL Right side.	
63	DAA438RM5	First skirt panel, w/o comb lighting & w/ skirt panel lighting, LL Left side.	
64	DAA438RM6	First skirt panel, w/o comb lighting & w/ skirt panel lighting, LL Right side.	
65	DAA438RM9	First skirt panel, w/ comb lighting & w/o skirt panel lighting, LL Left side.	
66	DAA438RM10	First skirt panel, w/ comb lighting & w/o skirt panel lighting, LL Right side.	

**508NCE / 512NCE ESCALATOR  
Skirt Panel**

**57-DAA26228CY**

First skirt panel, for

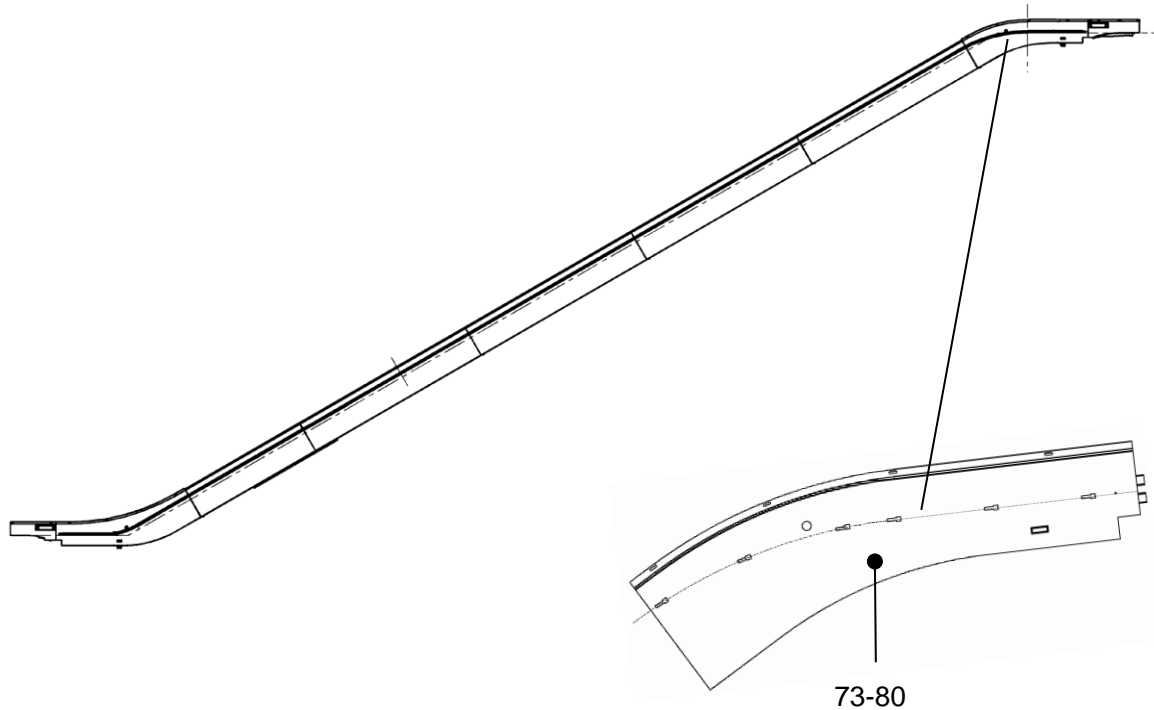
- 512NCE\_ANSI. Surface finish: G2 + RELIUS 536 I coating transparent.
- Only for steel floor plate



DAA26228CY		LOWER LANDING = LL	
REF. No.	PART No.	DESCRIPTION	TYPE
67	DAA438RM13	First skirt panel, w/o comb lighting & w/o skirt panel lighting, LL Left side.	2&3 flat steps
68	DAA438RM14	First skirt panel, w/o comb lighting & w/o skirt panel lighting, LL Right side.	
69	DAA438RM17	First skirt panel, w/o comb lighting & w/ skirt panel lighting, LL Left side.	
70	DAA438RM18	First skirt panel, w/o comb lighting & w/ skirt panel lighting, LL Right side.	
71	DAA438RM21	First skirt panel, w/ comb lighting & w/o skirt panel lighting, LL Left side.	
72	DAA438RM22	First skirt panel, w/ comb lighting & w/o skirt panel lighting, LL Right side.	

Curve panel, for

- 508NCE\_ANSI. Surface finish: RELIUS 536 coating black.
- With black or silver brush holder.



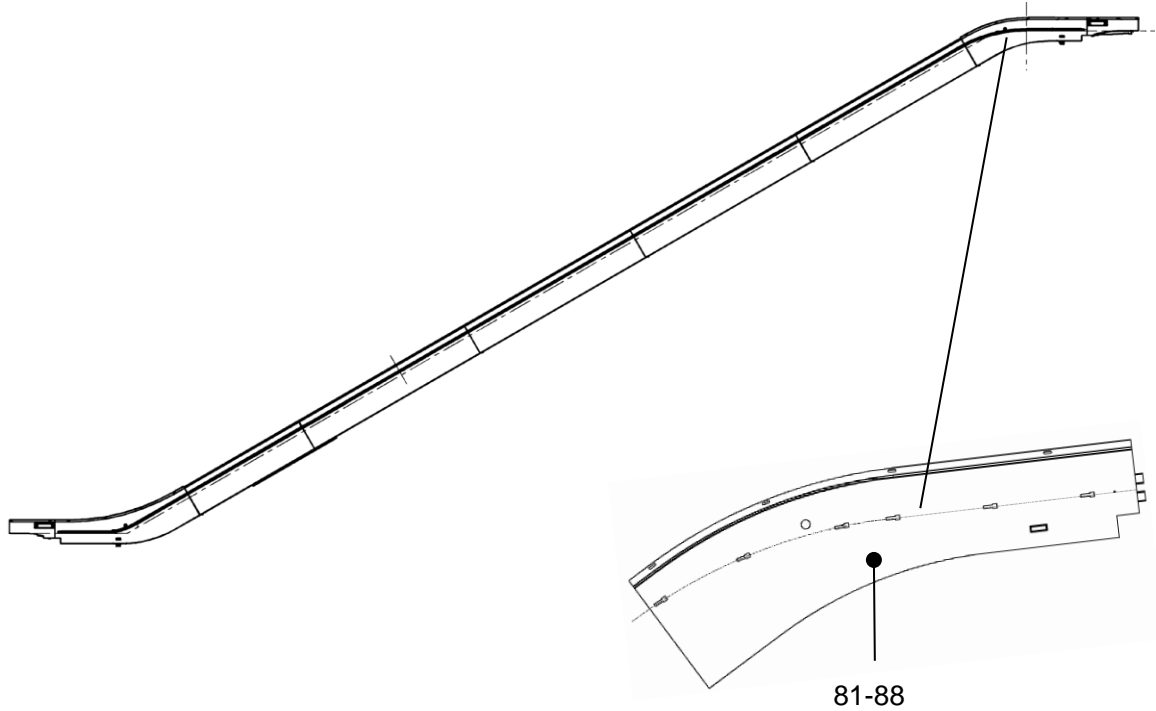
DAA26228CY		UPPER LANDING = UL	
REF. No.	PART No.	DESCRIPTION	TYPE
73	DAA438PE1	Curve panel, w/o skirt panel lighting, UL, Left side.	2 flat steps
74	DAA438PE2	Curve panel, w/o skirt panel lighting, UL, Right side	
75	DAA438PE3	Curve panel, w/o skirt panel lighting, UL, Left side.	3 flat steps
76	DAA438PE4	Curve panel, w/o skirt panel lighting, UL, Right side.	
77	DAA438PE5	Curve panel, w/ skirt panel lighting, UL, Left side.	2 flat steps
78	DAA438PE6	Curve panel, w/ skirt panel lighting, UL, Right side	
79	DAA438PE7	Curve panel, w/ skirt panel lighting, UL, Left side.	3 flat steps
80	DAA438PE8	Curve panel, w/ skirt panel lighting, UL, Right side.	

**508NCE / 512NCE ESCALATOR  
Skirt Panel**

**57-DAA26228CY**

Curve panel, for

- 508NCE\_ANSI. Surface finish: G2 + RELIUS 536 I coating transparent.
- With black or silver brush holder.

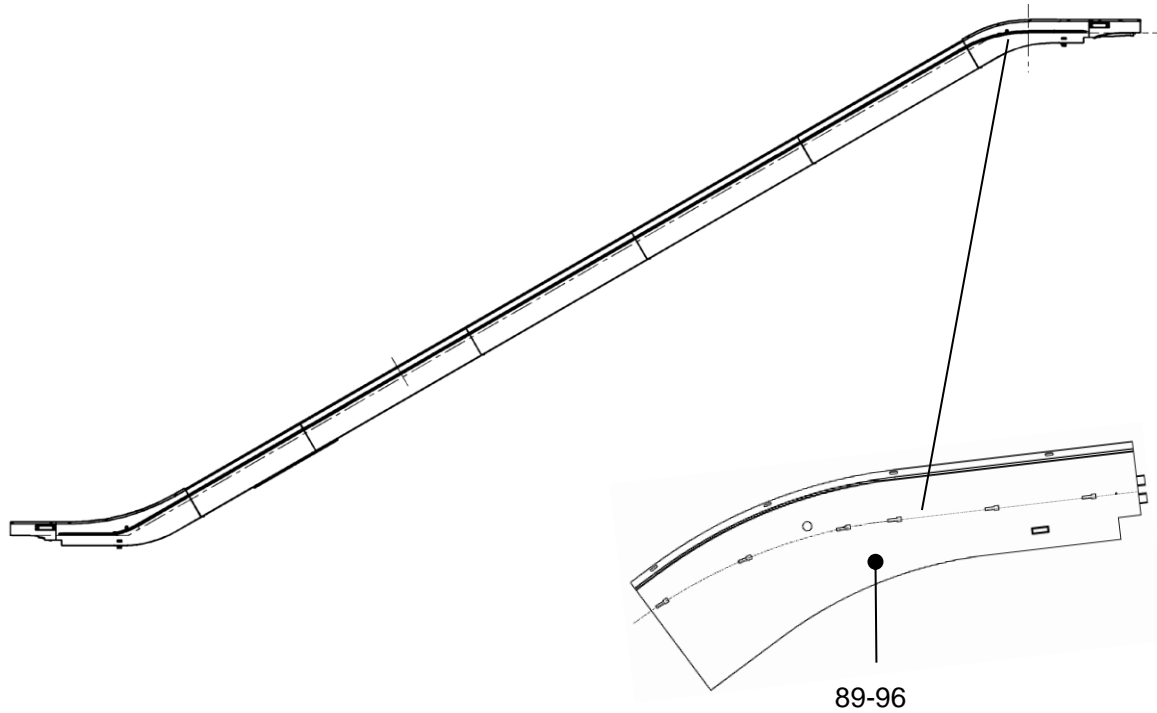


DAA26228CY		UPPER LANDING = UL	
REF. No.	PART No.	DESCRIPTION	TYPE
81	DAA438PE9	Curve panel, w/o skirt panel lighting, UL, Left side.	2 flat steps
82	DAA438PE10	Curve panel, w/o skirt panel lighting, UL, Right side	
83	DAA438PE11	Curve panel, w/o skirt panel lighting, UL, Left side.	3 flat steps
84	DAA438PE12	Curve panel, w/o skirt panel lighting, UL, Right side.	
85	DAA438PE13	Curve panel, w/ skirt panel lighting, UL, Left side.	2 flat steps
86	DAA438PE14	Curve panel, w/ skirt panel lighting, UL, Right side	
87	DAA438PE15	Curve panel, w/ skirt panel lighting, UL, Left side.	3 flat steps
88	DAA438PE16	Curve panel, w/ skirt panel lighting, UL, Right side.	



Curve panel, for

- 512NCE\_ANSI. Surface finish: RELIUS 536 coating black.
- With black or silver brush holder.



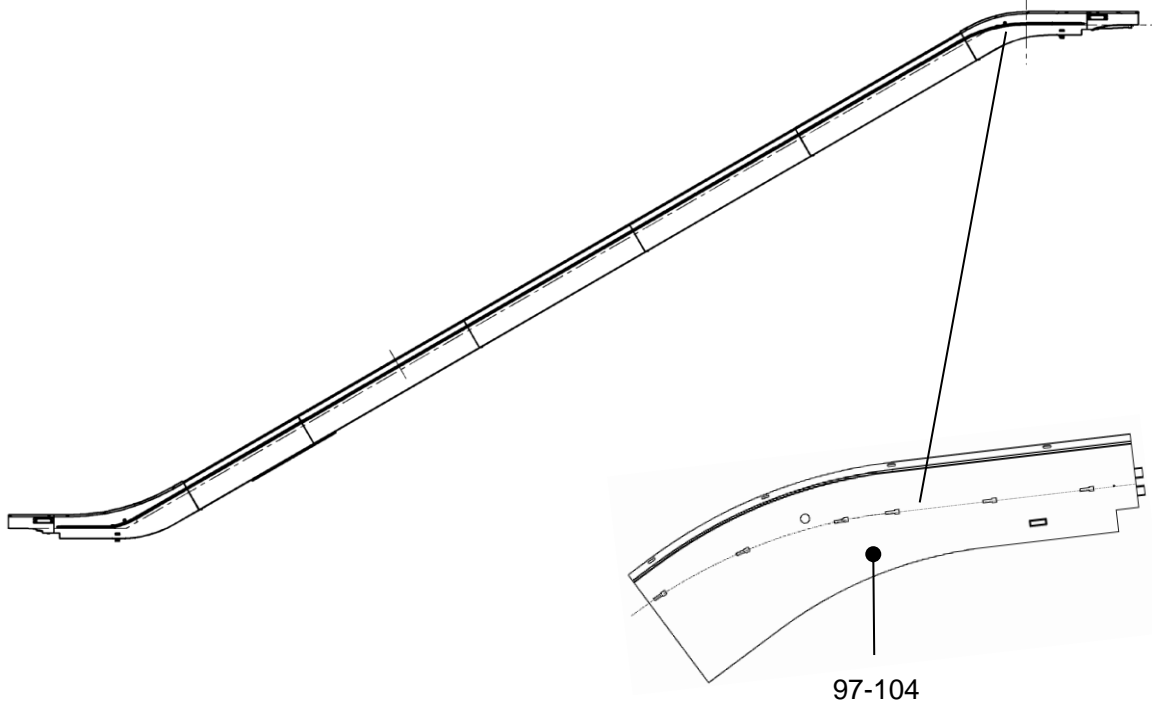
DAA26228CY		UPPER LANDING = UL	
REF. No.	PART No.	DESCRIPTION	TYPE
89	DAA438PE17	Curve panel, w/o skirt panel lighting, UL, Left side.	2 flat steps
90	DAA438PE18	Curve panel, w/o skirt panel lighting, UL, Right side	
91	DAA438PE19	Curve panel, w/o skirt panel lighting, UL, Left side.	3 flat steps
92	DAA438PE20	Curve panel, w/o skirt panel lighting, UL, Right side.	
93	DAA438PE21	Curve panel, w/ skirt panel lighting, UL, Left side.	2 flat steps
94	DAA438PE22	Curve panel, w/ skirt panel lighting, UL, Right side	
95	DAA438PE23	Curve panel, w/ skirt panel lighting, UL, Left side.	3 flat steps
96	DAA438PE24	Curve panel, w/ skirt panel lighting, UL, Right side.	

**508NCE / 512NCE ESCALATOR  
Skirt Panel**

**57-DAA26228CY**

Curve panel, for

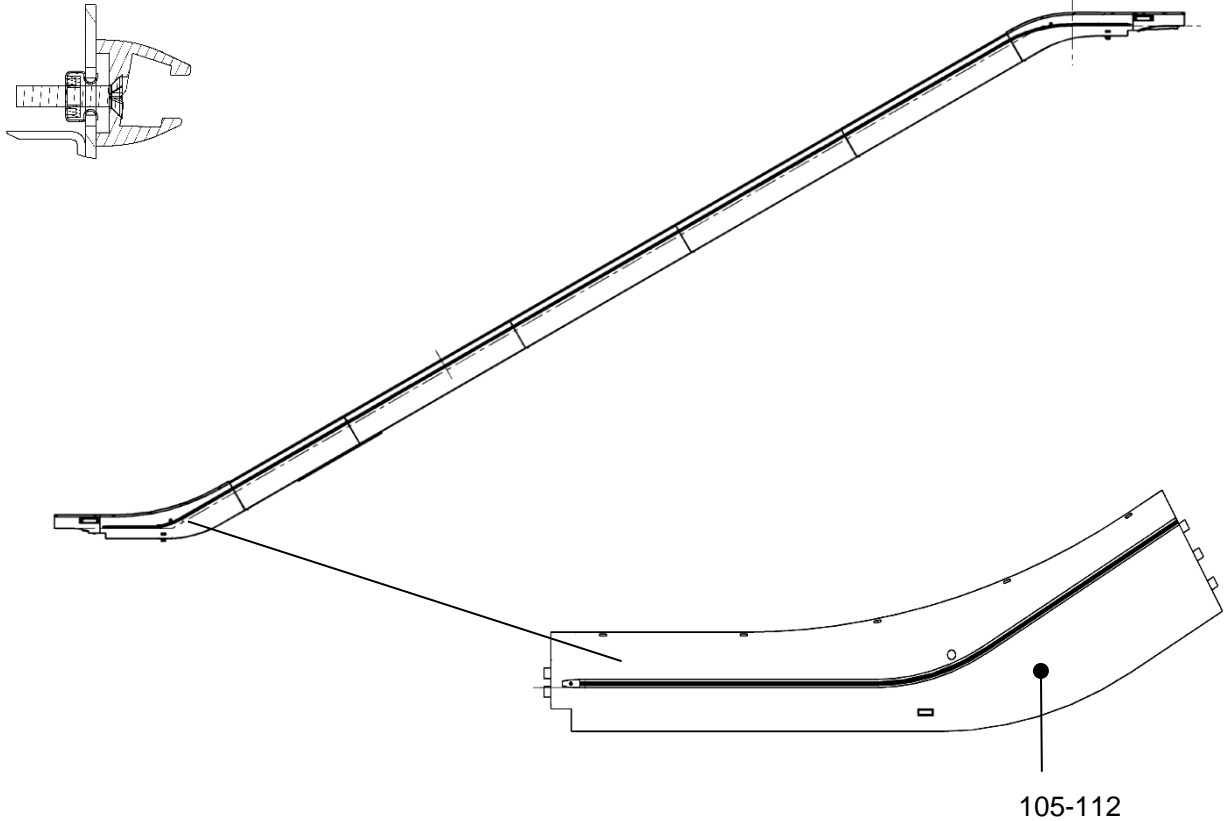
- 512NCE\_ANSI. Surface finish: G2 + RELIUS 536 I coating transparent.
- With black or silver brush holder.



DAA26228CY		UPPER LANDING = UL	
REF. No.	PART No.	DESCRIPTION	TYPE
97	DAA438PE25	Curve panel, w/o skirt panel lighting, UL, Left side.	2 flat steps
98	DAA438PE26	Curve panel, w/o skirt panel lighting, UL, Right side	
99	DAA438PE27	Curve panel, w/o skirt panel lighting, UL, Left side.	3 flat steps
100	DAA438PE28	Curve panel, w/o skirt panel lighting, UL, Right side.	
101	DAA438PE29	Curve panel, w/ skirt panel lighting, UL, Left side.	2 flat steps
102	DAA438PE30	Curve panel, w/ skirt panel lighting, UL, Right side	
103	DAA438PE31	Curve panel, w/ skirt panel lighting, UL, Left side.	3 flat steps
104	DAA438PE32	Curve panel, w/ skirt panel lighting, UL, Right side.	

Curve panel, for

- 508NCE\_ANSI & 512NCE. Surface finish “RELIUS 536 COATING BLACK”
- With black brush holder.



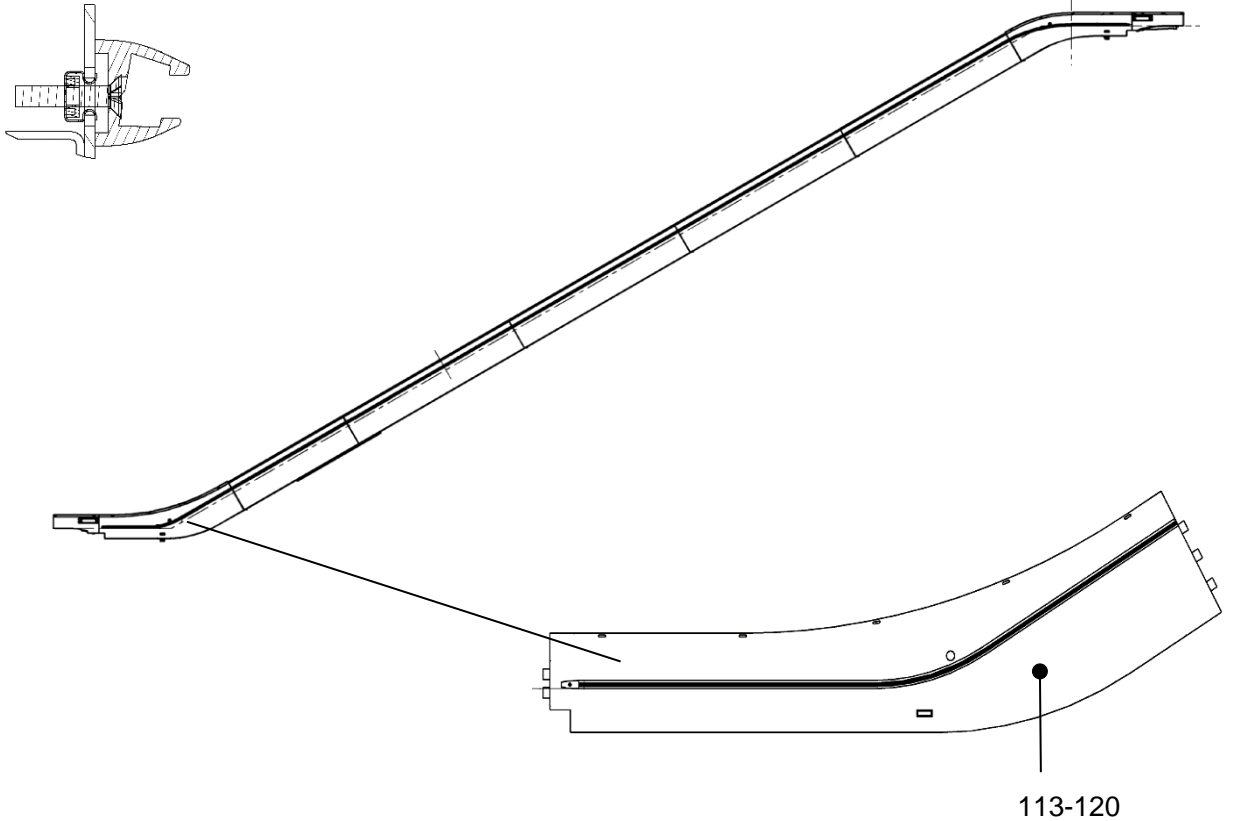
DAA26228CY		LOWER LANDING = LL	
REF. No.	PART No.	DESCRIPTION	TYPE
105	DAA438PF1	Curve panel, w/o skirt panel lighting, LL, Left side.	2 flat steps
106	DAA438PF2	Curve panel, w/o skirt panel lighting, LL, Right side	
107	DAA438PF3	Curve panel, w/o skirt panel lighting, LL, Left side.	3 flat steps
108	DAA438PF4	Curve panel, w/o skirt panel lighting, LL, Right side.	
109	DAA438PF5	Curve panel, w/ skirt panel lighting, LL, Left side.	2 flat steps
110	DAA438PF6	Curve panel, w/ skirt panel lighting, LL, Right side	
111	DAA438PF7	Curve panel, w/ skirt panel lighting, LL, Left side.	3 flat steps
112	DAA438PF8	Curve panel, w/ skirt panel lighting, LL, Right side.	

**508NCE / 512NCE ESCALATOR  
Skirt Panel**

**57-DAA26228CY**

Curve panel, for

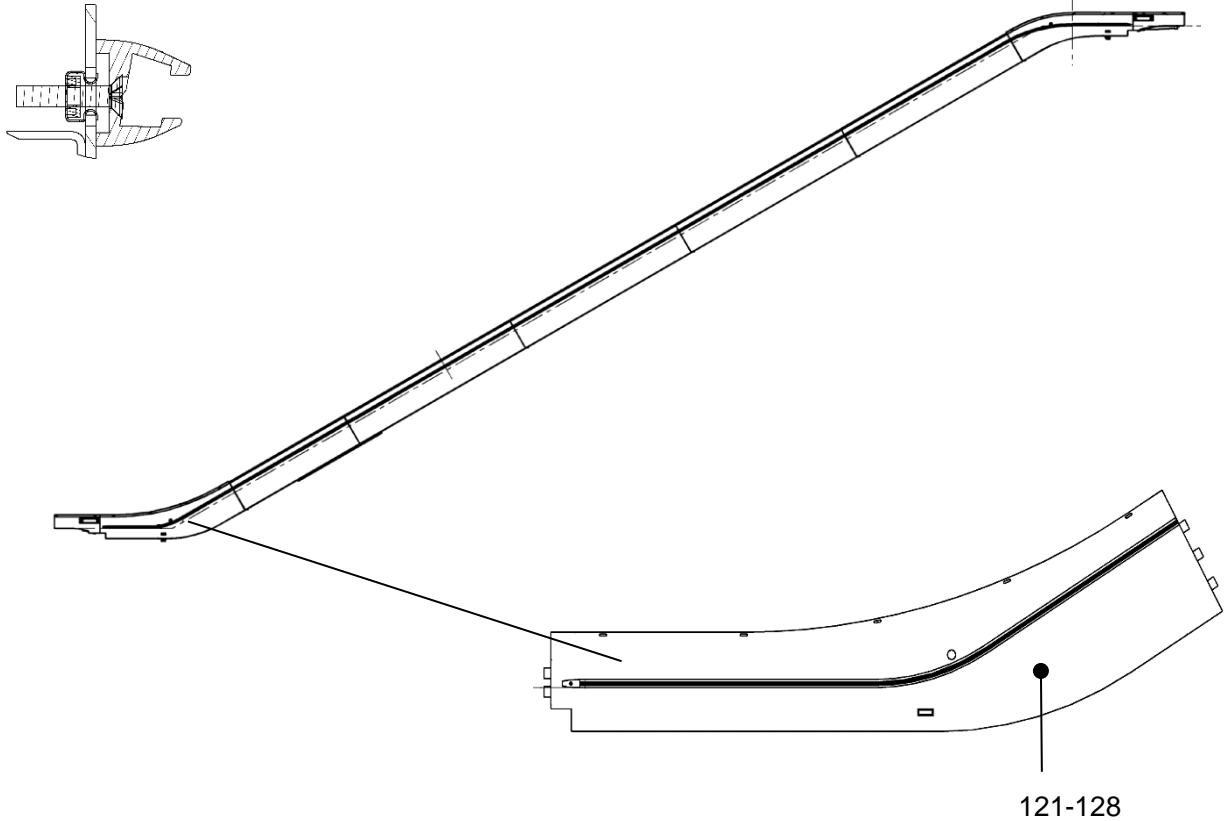
- 508NCE\_ANSI & 512NCE\_ANSI. Surface finish: G2 + RELIUS 536 I coating transparent.
- With black brush holder



DAA26228CY		LOWER LANDING = LL	
REF. No.	PART No.	DESCRIPTION	TYPE
113	DAA438PF9	Curve panel, w/o skirt panel lighting, LL, Left side.	2 flat steps
114	DAA438PF10	Curve panel, w/o skirt panel lighting, LL, Right side	
115	DAA438PF11	Curve panel, w/o skirt panel lighting, LL, Left side.	3 flat steps
116	DAA438PF12	Curve panel, w/o skirt panel lighting, LL, Right side.	
117	DAA438PF13	Curve panel, w/ skirt panel lighting, LL, Left side.	2 flat steps
118	DAA438PF14	Curve panel, w/ skirt panel lighting, LL, Right side	
119	DAA438PF15	Curve panel, w/ skirt panel lighting, LL, Left side.	3 flat steps
120	DAA438PF16	Curve panel, w/ skirt panel lighting, LL, Right side.	

Curve panel, for

- 508NCE\_ANSI & 512NCE. Surface finish “RELIUS 536 COATING BLACK”
- With silver brush holder.



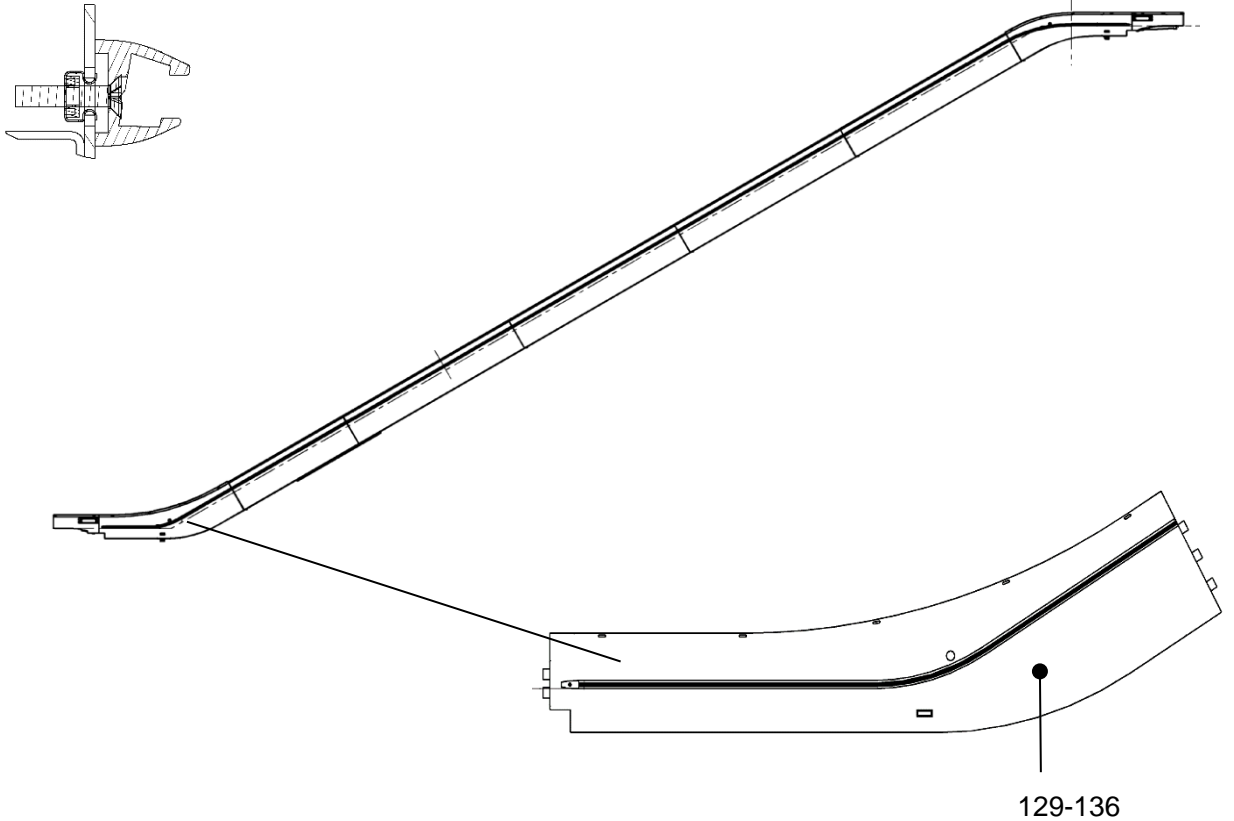
DAA26228CY		LOWER LANDING = LL	
REF. No.	PART No.	DESCRIPTION	TYPE
121	DAA438PF17	Curve panel, w/o skirt panel lighting, LL, Left side.	2 flat steps
122	DAA438PF18	Curve panel, w/o skirt panel lighting, LL, Right side	
123	DAA438PF19	Curve panel, w/o skirt panel lighting, LL, Left side.	3 flat steps
124	DAA438PF20	Curve panel, w/o skirt panel lighting, LL, Right side.	
125	DAA438PF21	Curve panel, w/ skirt panel lighting, LL, Left side.	2 flat steps
126	DAA438PF22	Curve panel, w/ skirt panel lighting, LL, Right side	
127	DAA438PF23	Curve panel, w/ skirt panel lighting, LL, Left side.	3 flat steps
128	DAA438PF24	Curve panel, w/ skirt panel lighting, LL, Right side.	

**508NCE / 512NCE ESCALATOR  
Skirt Panel**

**57-DAA26228CY**

Curve panel, for

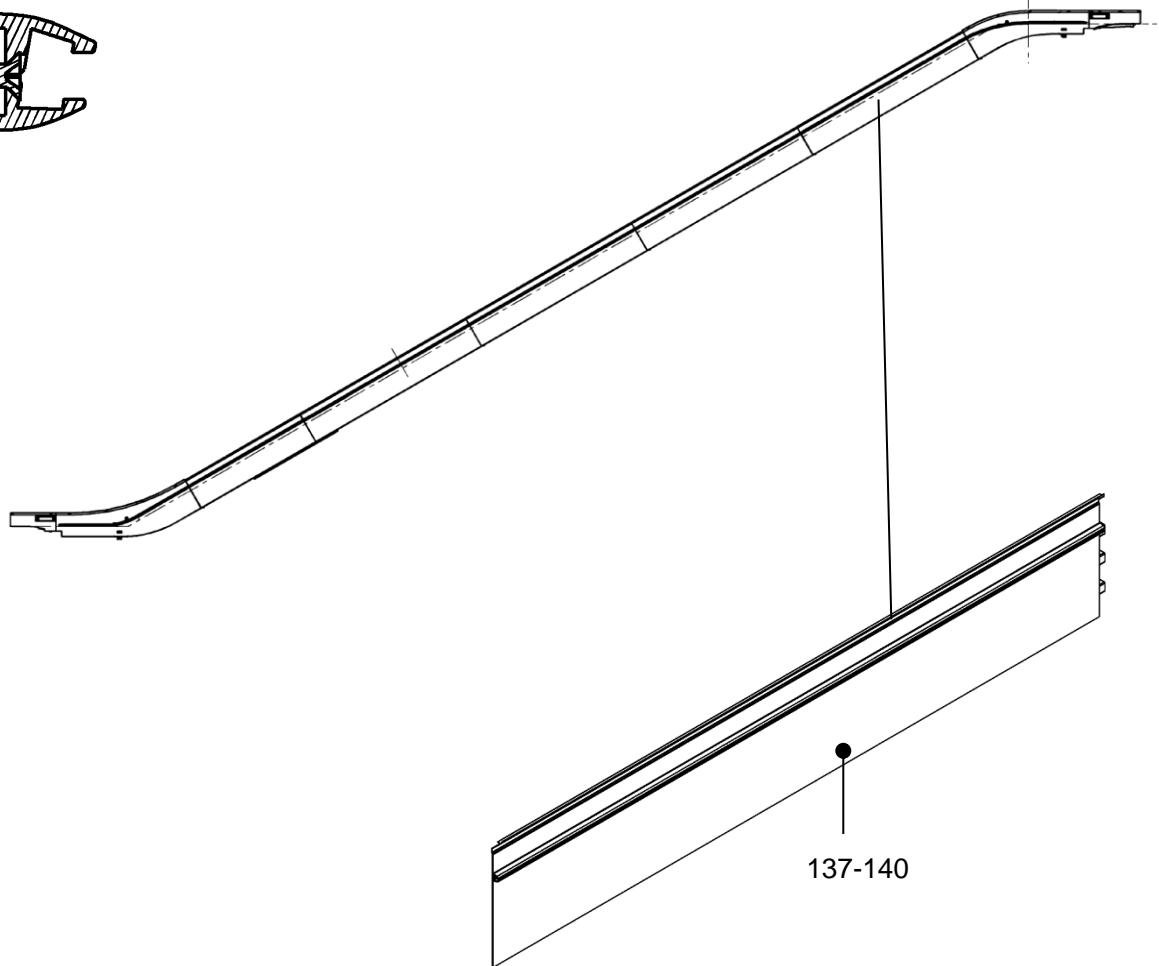
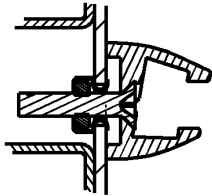
- 508NCE\_ANSI & 512NCE\_ANSI. Surface finish: G2 + RELIUS 536 I coating transparent.
- With silver brush holder



DAA26228CY		LOWER LANDING = LL	
REF. No.	PART No.	DESCRIPTION	TYPE
129	DAA438PF25	Curve panel, w/o skirt panel lighting, LL, Left side.	2 flat steps
130	DAA438PF26	Curve panel, w/o skirt panel lighting, LL, Right side	
131	DAA438PF27	Curve panel, w/o skirt panel lighting, LL, Left side.	3 flat steps
132	DAA438PF28	Curve panel, w/o skirt panel lighting, LL, Right side.	
133	DAA438PF29	Curve panel, w/ skirt panel lighting, LL, Left side.	2 flat steps
134	DAA438PF30	Curve panel, w/ skirt panel lighting, LL, Right side	
135	DAA438PF31	Curve panel, w/ skirt panel lighting, LL, Left side.	3 flat steps
136	DAA438PF32	Curve panel, w/ skirt panel lighting, LL, Right side.	

Inclined section skirt panel, for

- 508NCE\_ANSI, Surface finish “RELIUS 536 coating black” ;
- With black brush holder.



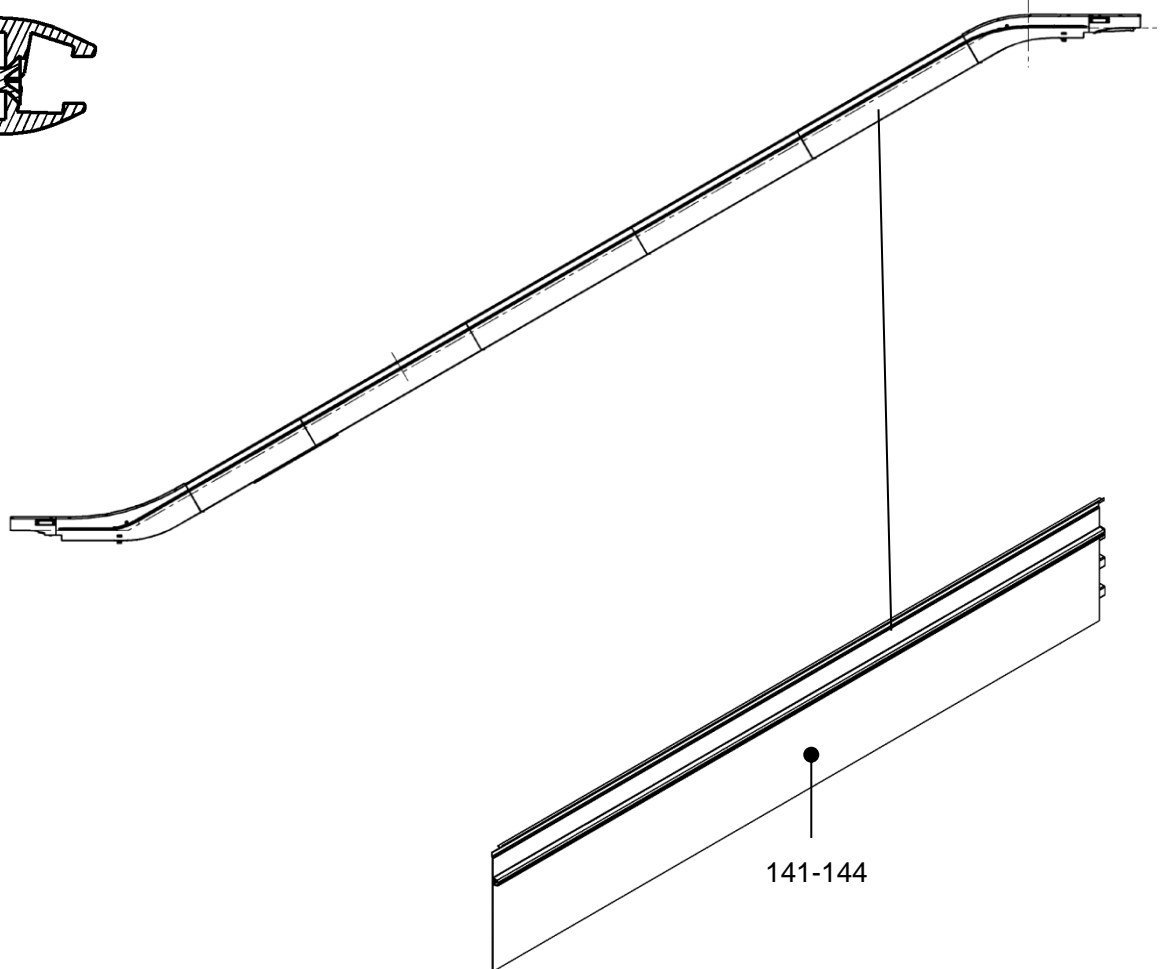
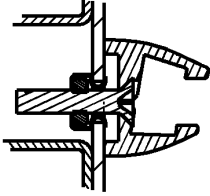
REF. No.	PART No.	DESCRIPTION
	DAA26228CY	
137	DAA438PD9	Inclined section skirt panel, w/o skirt panel lighting, Left side.
138	DAA438PD10	Inclined section skirt panel, w/o skirt panel lighting, Right side
139	DAA438PD11	Inclined section skirt panel, w/ skirt panel lighting, Left side.
140	DAA438PD12	Inclined section skirt panel, w/ skirt panel lighting, Right side.

**508NCE / 512NCE ESCALATOR  
Skirt Panel**

**57-DAA26228CY**

Inclined section skirt panel, for

- 508NCE\_ANSI, Surface finish: “ G2 + RELIUS 536 I coating transparent ” ;
- With black brush holder.



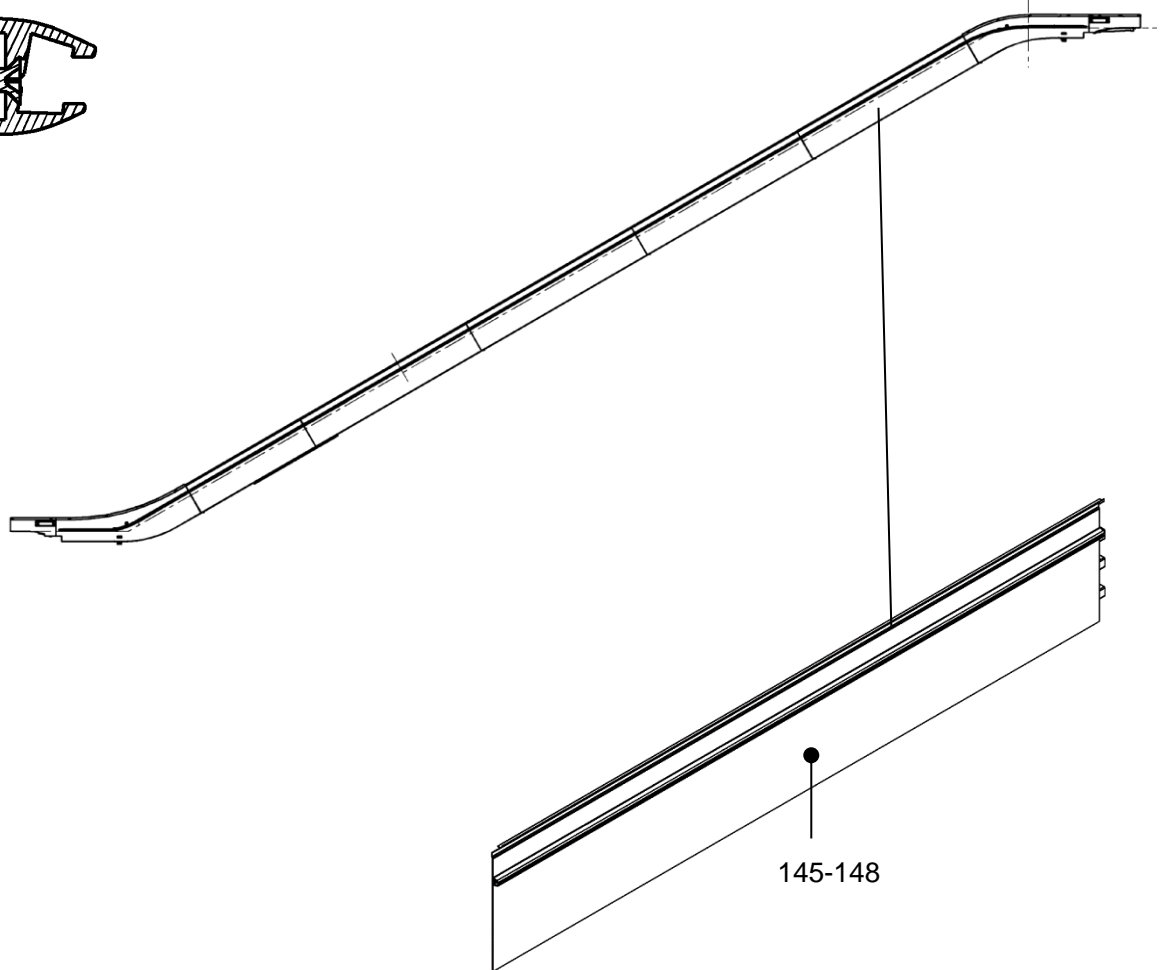
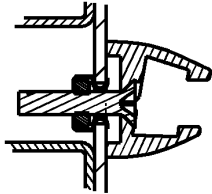
141-144

REF. No.	PART No.	DESCRIPTION
	DAA26228CY	
141	DAA438PD13	Inclined section skirt panel, w/o skirt panel lighting, Left side.
142	DAA438PD14	Inclined section skirt panel, w/o skirt panel lighting, Right side.
143	DAA438PD15	Inclined section skirt panel, w/ skirt panel lighting, Left side.
144	DAA438PD16	Inclined section skirt panel, w/ skirt panel lighting, Right side.



Inclined section skirt panel, for

- 512NCE\_ANSI, Surface finish “RELIUS 536 coating black” ;
- With black brush holder.



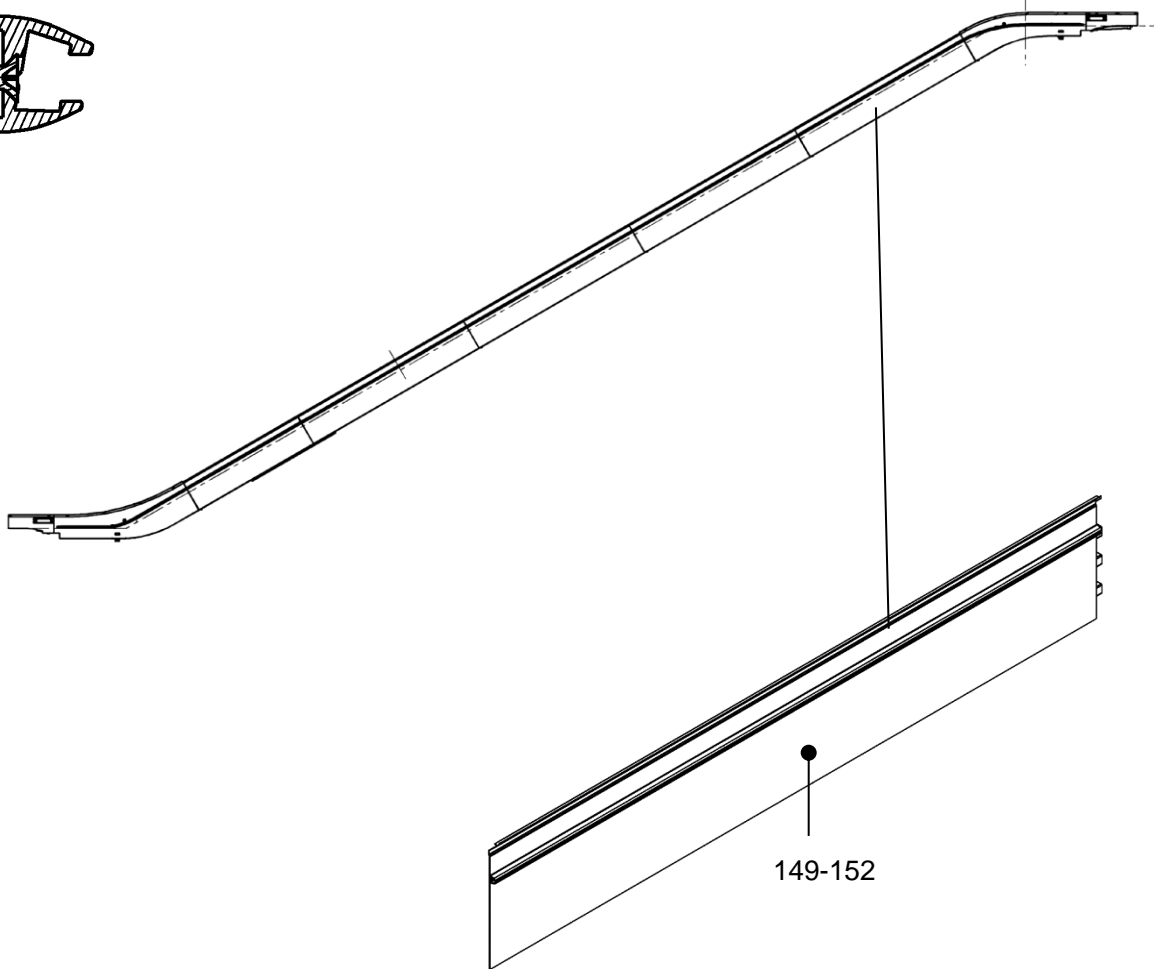
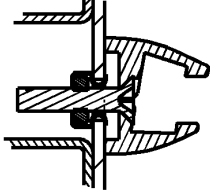
DAA26228CY		
REF. No.	PART No.	DESCRIPTION
145	DAA438PD17	Inclined section skirt panel, w/o skirt panel lighting, Left side.
146	DAA438PD18	Inclined section skirt panel, w/o skirt panel lighting, Right side.
147	DAA438PD19	Inclined section skirt panel, w/ skirt panel lighting, Left side.
148	DAA438PD20	Inclined section skirt panel, w/ skirt panel lighting, Right side.

**508NCE / 512NCE ESCALATOR  
Skirt Panel**

**57-DAA26228CY**

Inclined section skirt panel, for

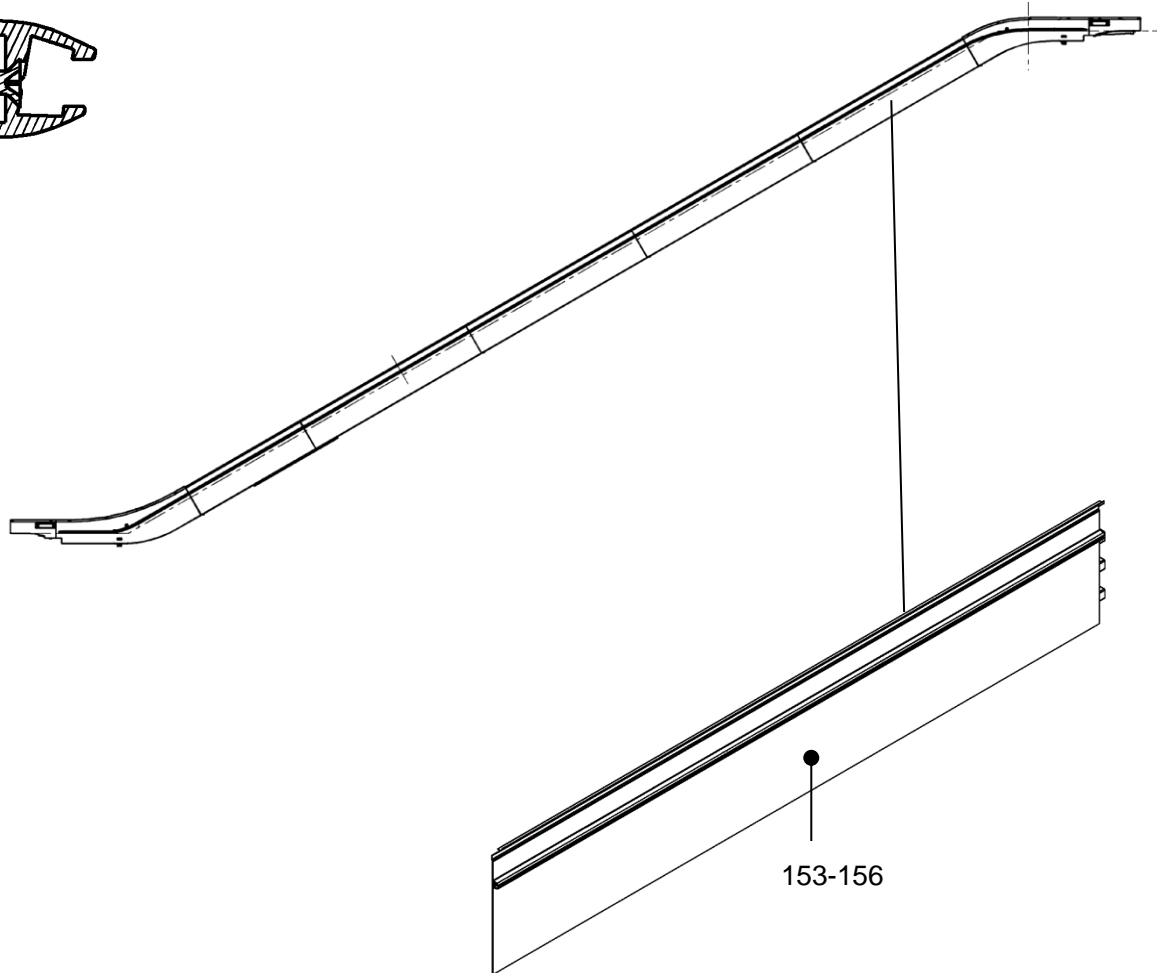
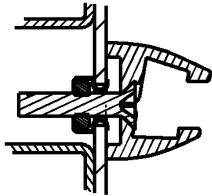
- 512NCE\_ANSI, Surface finish: “ G2 + RELIUS 536 I coating transparent ” ;
- With black brush holder.



DAA26228CY		
REF. No.	PART No.	DESCRIPTION
149	DAA438PD21	Inclined section skirt panel, w/o skirt panel lighting, Left side.
150	DAA438PD22	Inclined section skirt panel, w/o skirt panel lighting, Right side.
151	DAA438PD23	Inclined section skirt panel, w/ skirt panel lighting, Left side.
152	DAA438PD24	Inclined section skirt panel, w/ skirt panel lighting, Right side.

Inclined section skirt panel, for

- 508NCE\_ANSI, Surface finish “RELIUS 536 coating black” ;
- With silver brush holder.



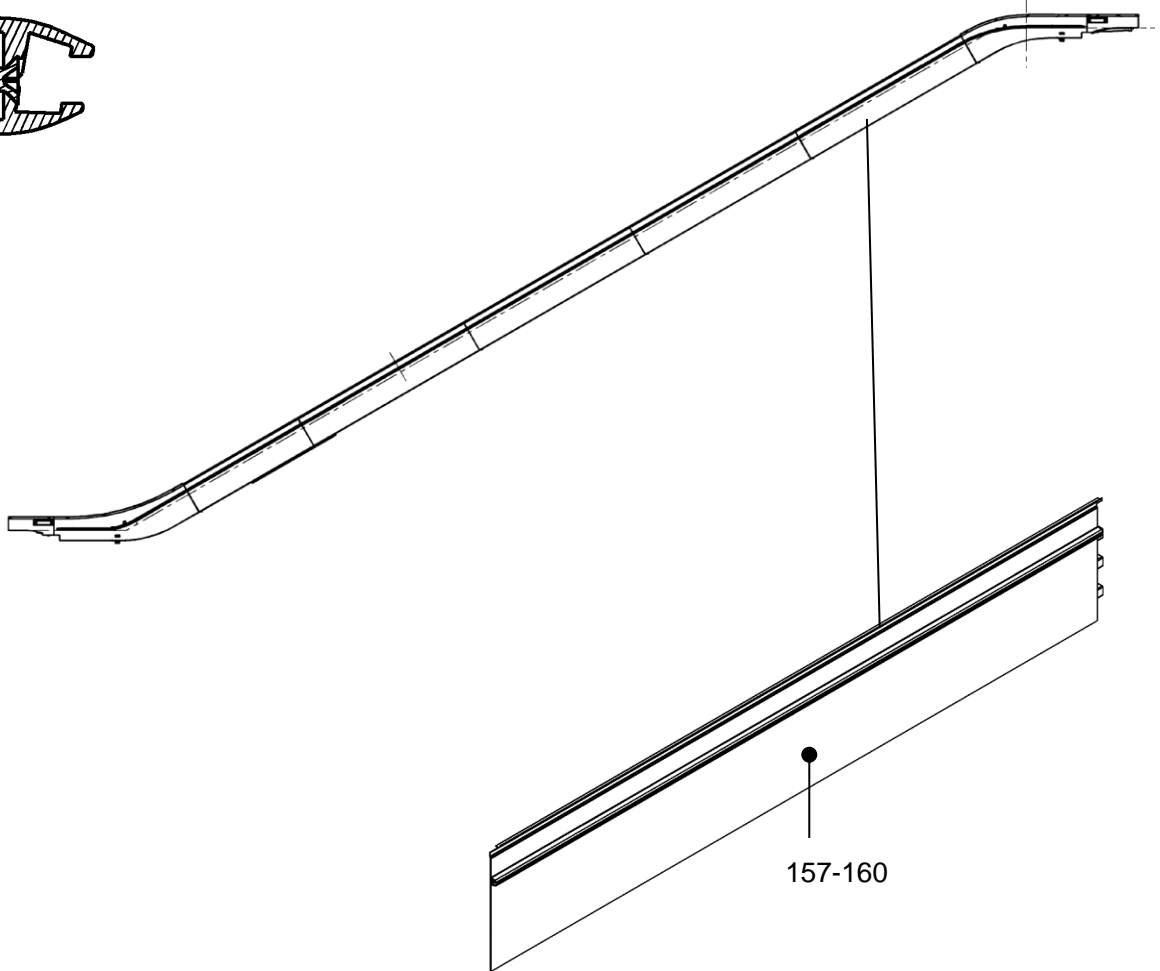
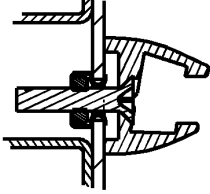
REF. No.	PART No.	DESCRIPTION
	DAA26228CY	
153	DAA438PD33	Inclined section skirt panel, w/o skirt panel lighting, Left side.
154	DAA438PD34	Inclined section skirt panel, w/o skirt panel lighting, Right side
155	DAA438PD35	Inclined section skirt panel, w/ skirt panel lighting, Left side.
156	DAA438PD36	Inclined section skirt panel, w/ skirt panel lighting, Right side.

**508NCE / 512NCE ESCALATOR  
Skirt Panel**

**57-DAA26228CY**

Inclined section skirt panel, for

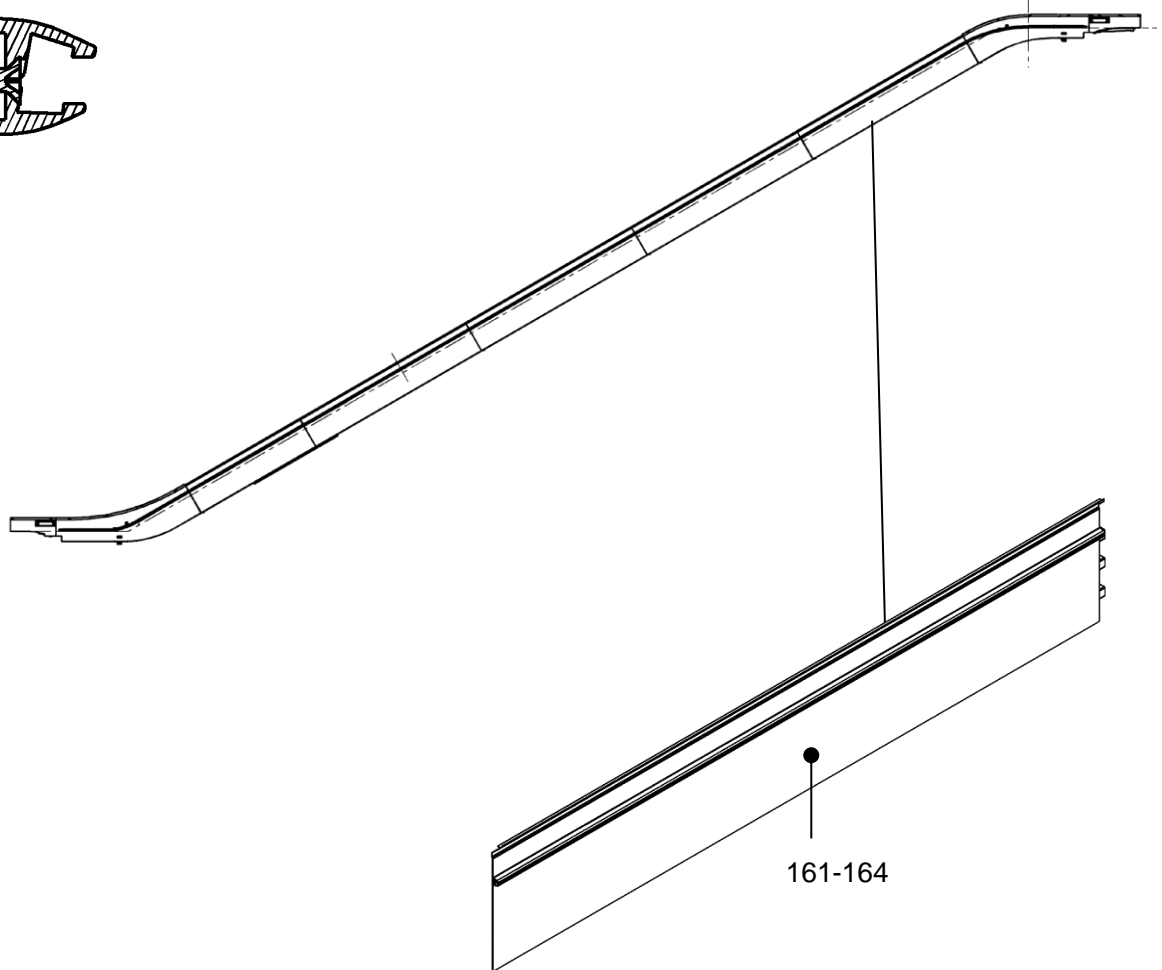
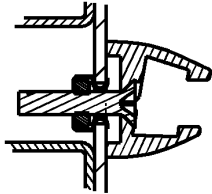
- 508NCE\_ANSI, Surface finish: “G2 + RELIUS 536 I coating transparent” ;
- With silver brush holder.



DAA26228CY		
REF. No.	PART No.	DESCRIPTION
157	DAA438PD37	Inclined section skirt panel, w/o skirt panel lighting, Left side.
158	DAA438PD38	Inclined section skirt panel, w/o skirt panel lighting, Right side.
159	DAA438PD39	Inclined section skirt panel, w/ skirt panel lighting, Left side.
160	DAA438PD40	Inclined section skirt panel, w/ skirt panel lighting, Right side.

Inclined section skirt panel, for

- 512NCE\_ANSI, Surface finish “RELIUS 536 coating black” ;
- With silver brush holder.



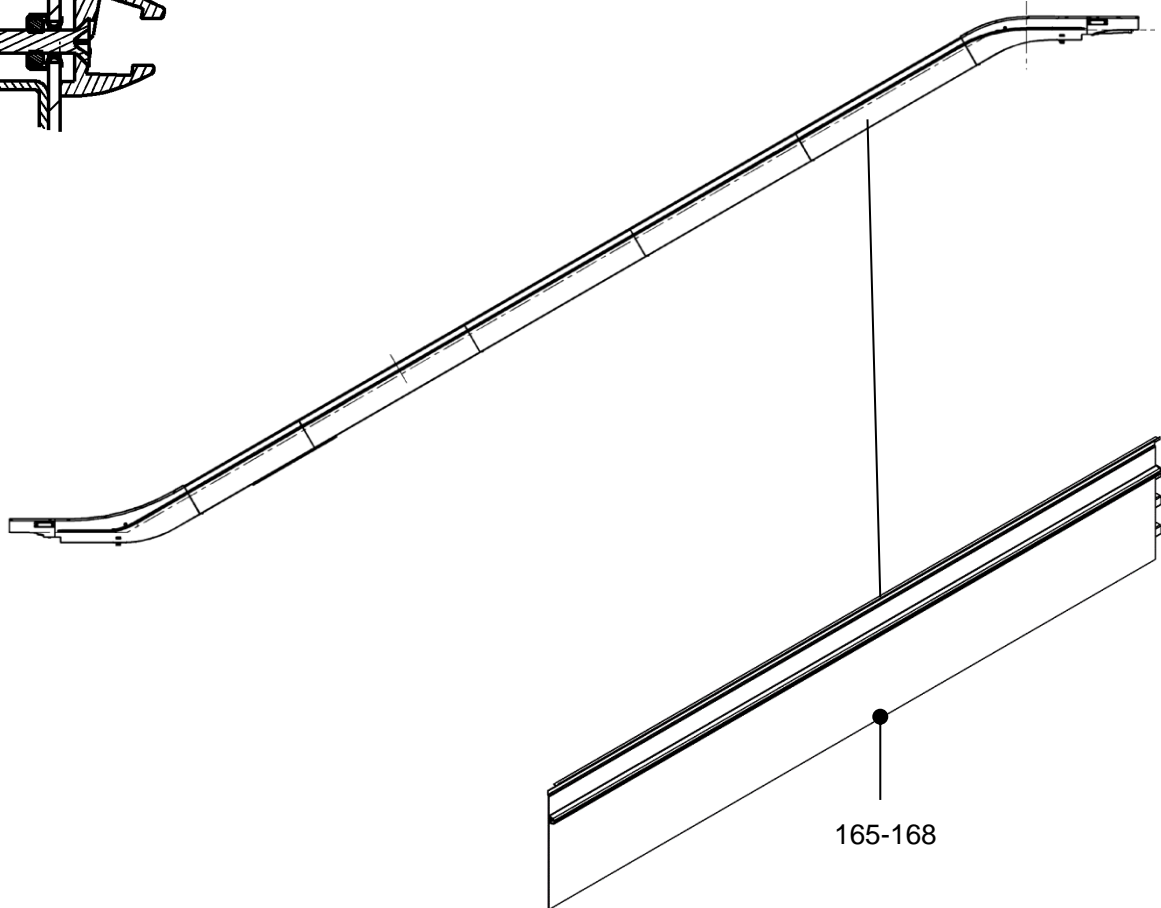
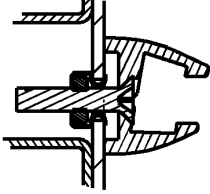
DAA26228CY		
REF. No.	PART No.	DESCRIPTION
161	DAA438PD41	Inclined section skirt panel, w/o skirt panel lighting, Left side.
162	DAA438PD42	Inclined section skirt panel, w/o skirt panel lighting, Right side
163	DAA438PD43	Inclined section skirt panel, w/ skirt panel lighting, Left side.
164	DAA438PD44	Inclined section skirt panel, w/ skirt panel lighting, Right side.

**508NCE / 512NCE ESCALATOR  
Skirt Panel**

**57-DAA26228CY**

Inclined section skirt panel, for

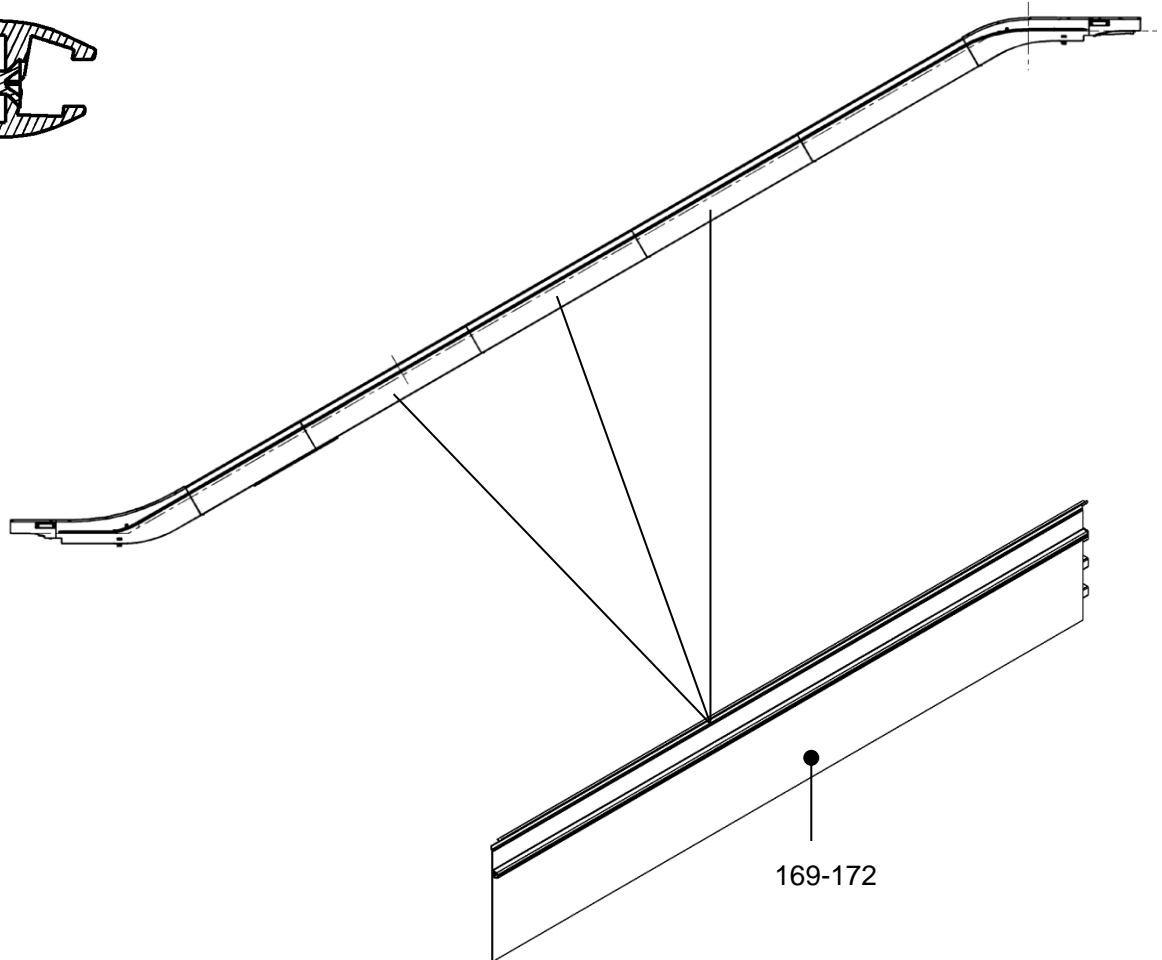
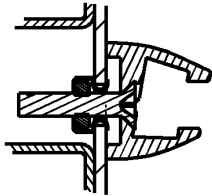
- 512NCE\_ANSI, Surface finish: “ G2 + RELIUS 536 I coating transparent ” ;
- With silver brush holder.



DAA26228CY		
REF. No.	PART No.	DESCRIPTION
165	DAA438PD45	Inclined section skirt panel, w/o skirt panel lighting, Left side.
166	DAA438PD46	Inclined section skirt panel, w/o skirt panel lighting, Right side
167	DAA438PD47	Inclined section skirt panel, w/ skirt panel lighting, Left side.
168	DAA438PD48	Inclined section skirt panel, w/ skirt panel lighting, Right side.

Inclined section skirt panel, for

- 508NCE\_ANSI & 512NCE\_ANSI, Surface finish: "RELIUS 536 coating black" ;
- With black brush holder.



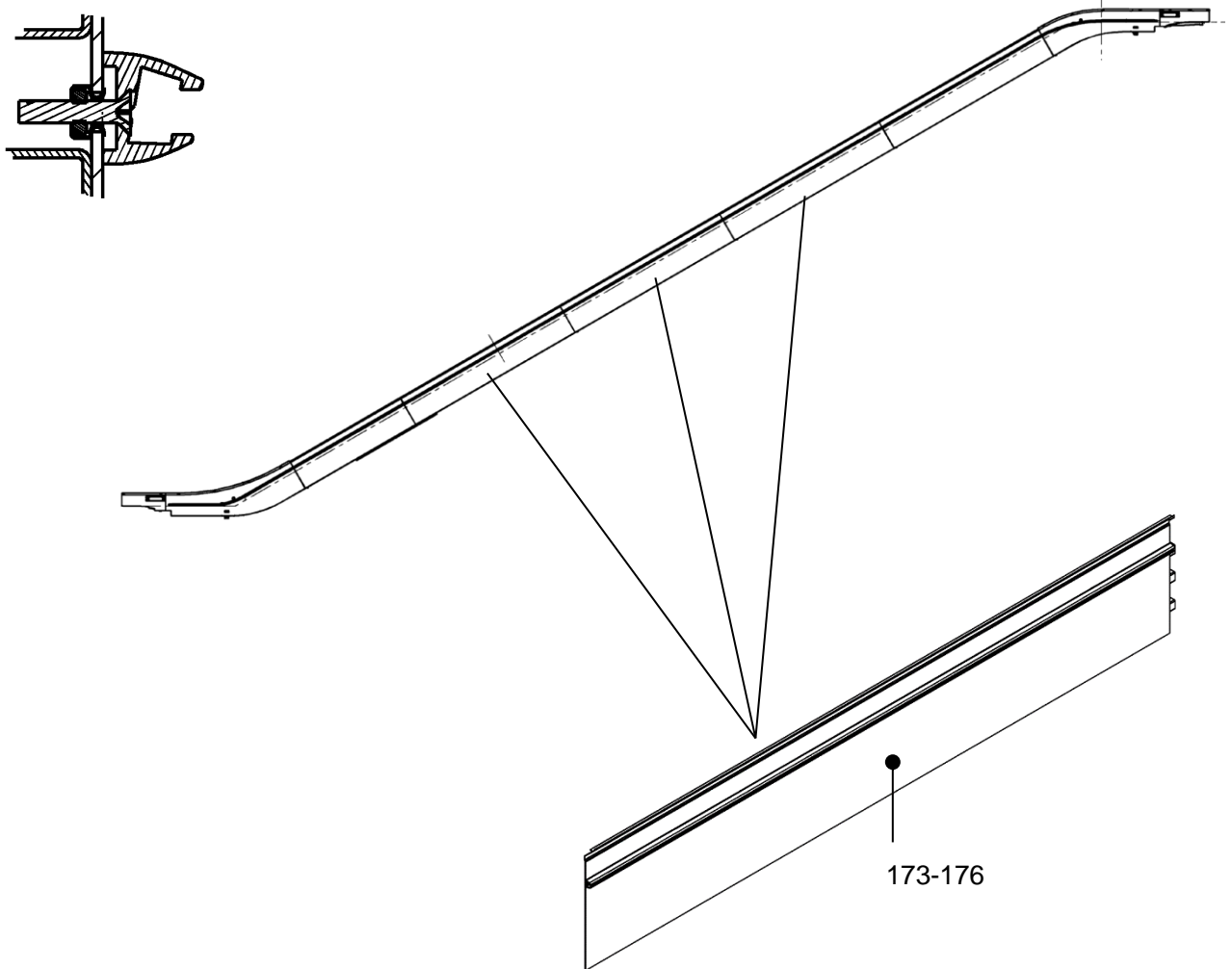
REF. No.	PART No.	DESCRIPTION
	DAA26228CY	
169	DAA438PD1	Inclined section skirt panel, w/o skirt panel lighting, Left side.
170	DAA438PD2	Inclined section skirt panel, w/o skirt panel lighting, Right side
171	DAA438PD3	Inclined section skirt panel, w/ skirt panel lighting, Left side.
172	DAA438PD4	Inclined section skirt panel, w/ skirt panel lighting, Right side.

**508NCE / 512NCE ESCALATOR  
Skirt Panel**

**57-DAA26228CY**

Inclined section skirt panel, for

- 508NCE\_ANSI & 512NCE\_ANSI, Surface finish: “ G2 + RELIUS 536 I coating transparent” ;
- With black brush holder.

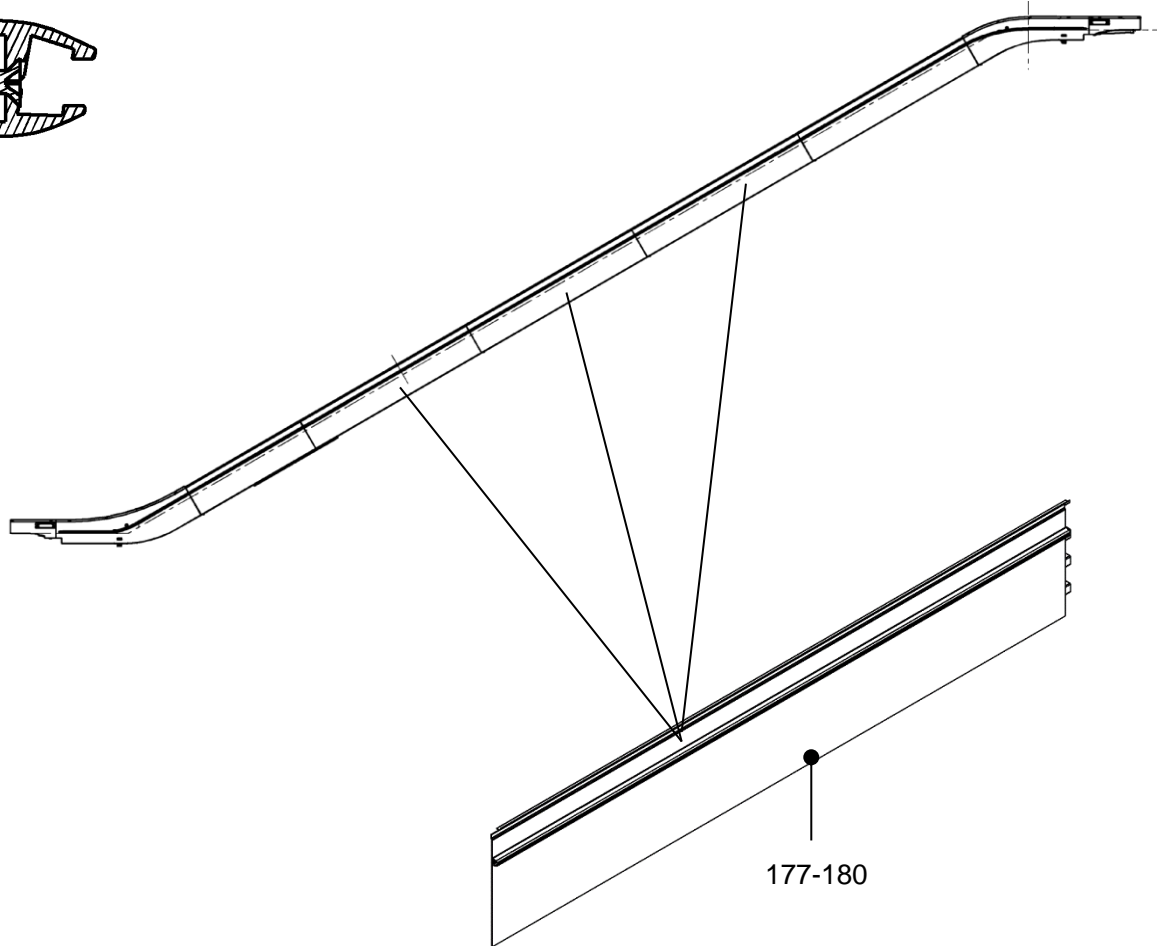
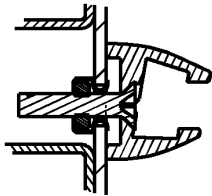


DAA26228CY		
REF. No.	PART No.	DESCRIPTION
173	DAA438PD5	Inclined section skirt panel, w/o skirt panel lighting, Left side.
174	DAA438PD6	Inclined section skirt panel, w/o skirt panel lighting, Right side
175	DAA438PD7	Inclined section skirt panel, w/ skirt panel lighting, Left side.
176	DAA438PD8	Inclined section skirt panel, w/ skirt panel lighting, Right side.



Inclined section skirt panel, for

- 508NCE\_ANSI & 512NCE\_ANSI, Surface finish “RELIUS 536 coating black” ;
- With silver brush holder.



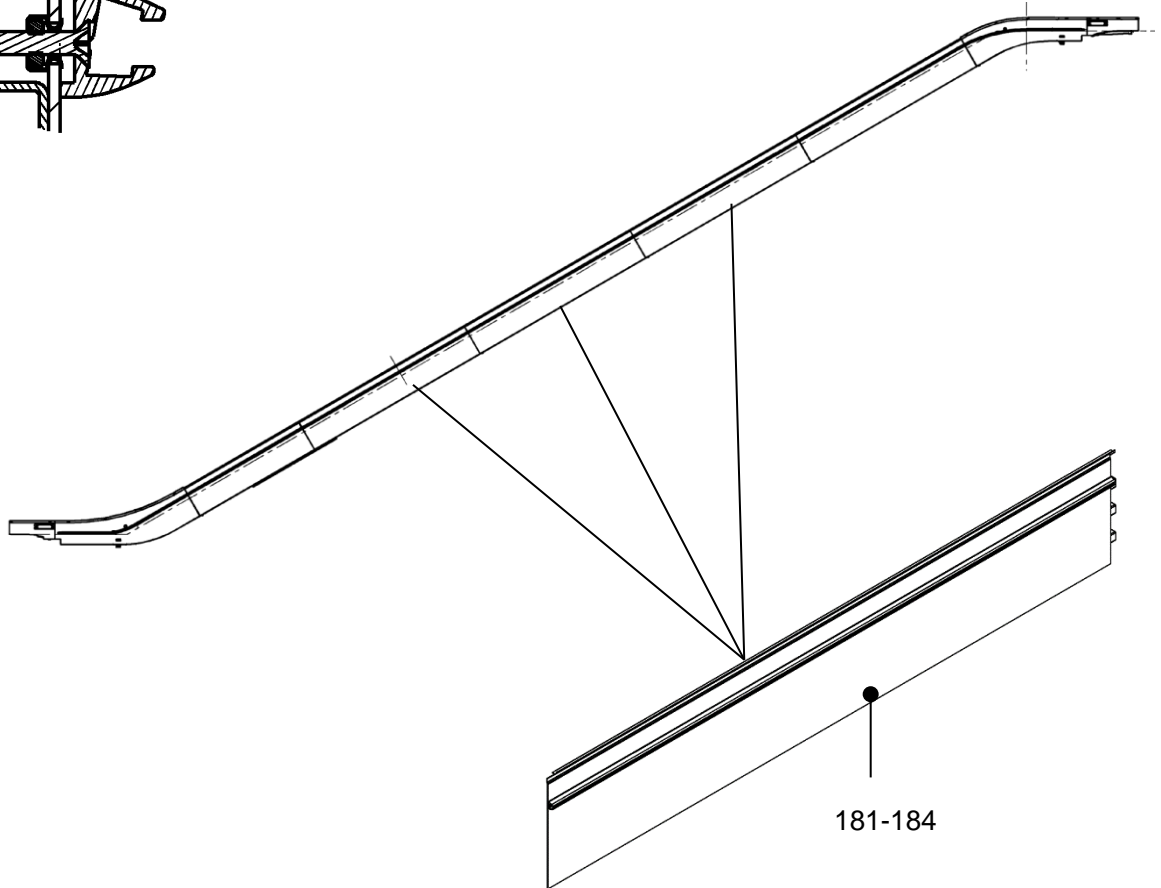
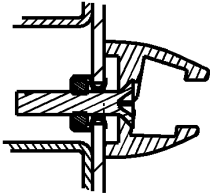
REF. No.	PART No.	DESCRIPTION
	DAA26228CY	
177	DAA438PD25	Inclined section skirt panel, w/o skirt panel lighting, Left side.
178	DAA438PD26	Inclined section skirt panel, w/o skirt panel lighting, Right side
179	DAA438PD27	Inclined section skirt panel, w/ skirt panel lighting, Left side.
180	DAA438PD28	Inclined section skirt panel, w/ skirt panel lighting, Right side.

**508NCE / 512NCE ESCALATOR  
Skirt Panel**

**57-DAA26228CY**

Inclined section skirt panel, for

- 508NCE\_ANSI & 512NCE\_ANSI, Surface finish: “ G2 + RELIUS 536 I coating transparent” ;
- With silver brush holder.

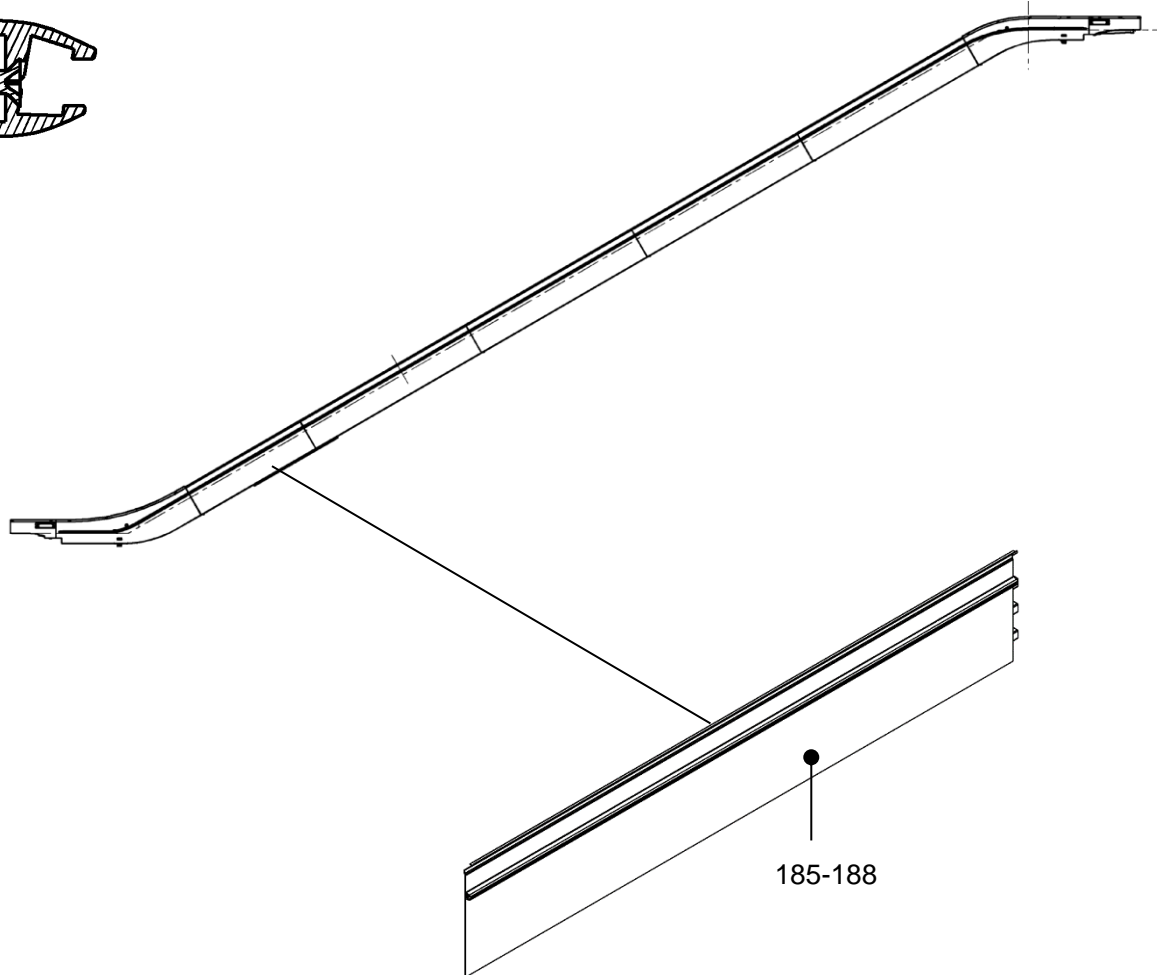
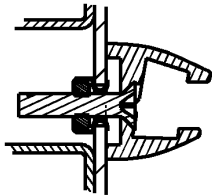


181-184

DAA26228CY		
REF. No.	PART No.	DESCRIPTION
181	DAA438PD29	Inclined section skirt panel, w/o skirt panel lighting, Left side.
182	DAA438PD30	Inclined section skirt panel, w/o skirt panel lighting, Right side
183	DAA438PD31	Inclined section skirt panel, w/ skirt panel lighting, Left side.
184	DAA438PD32	Inclined section skirt panel, w/ skirt panel lighting, Right side.

Inclined section skirt panel, for

- 508NCE\_ANSI & 512NCE\_ANSI, Surface finish: "RELIUS 536 coating black" ;
- With black brush holder.



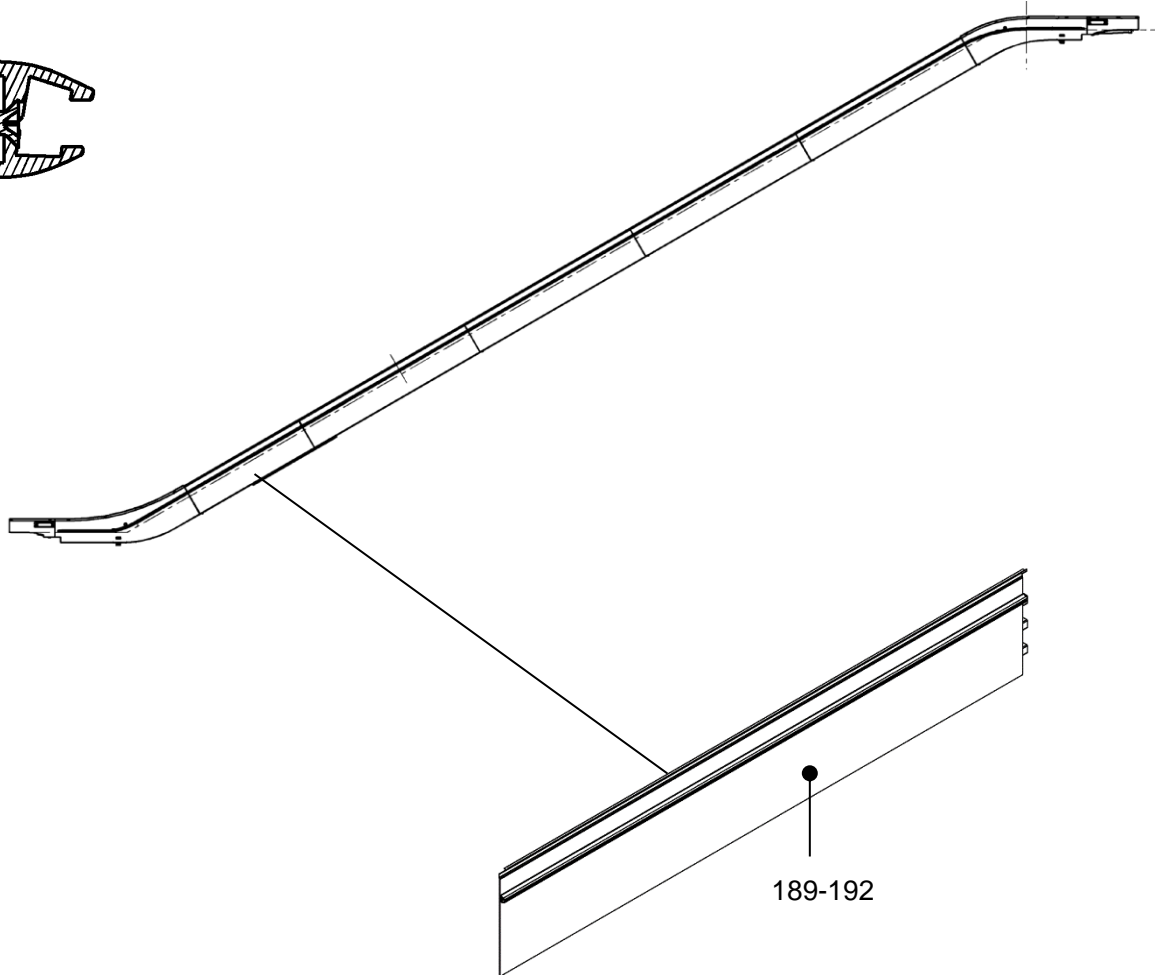
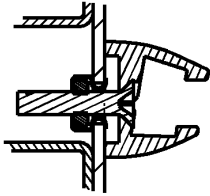
DAA26228CY		
REF. No.	PART No.	DESCRIPTION
185	DAA438PD-V1	Inclined section skirt panel with var. length, w/o skirt panel lighting, Left side.
186	DAA438PD-V2	Inclined section skirt panel with var. length, w/o skirt panel lighting, Right side
187	DAA438PD-V5	Inclined section skirt panel with var. length, w/ skirt panel lighting, Left side.
188	DAA438PD-V6	Inclined section skirt panel with var. length, w/ skirt panel lighting, Right side.

**508NCE / 512NCE ESCALATOR  
Skirt Panel**

**57-DAA26228CY**

Inclined section skirt panel, for

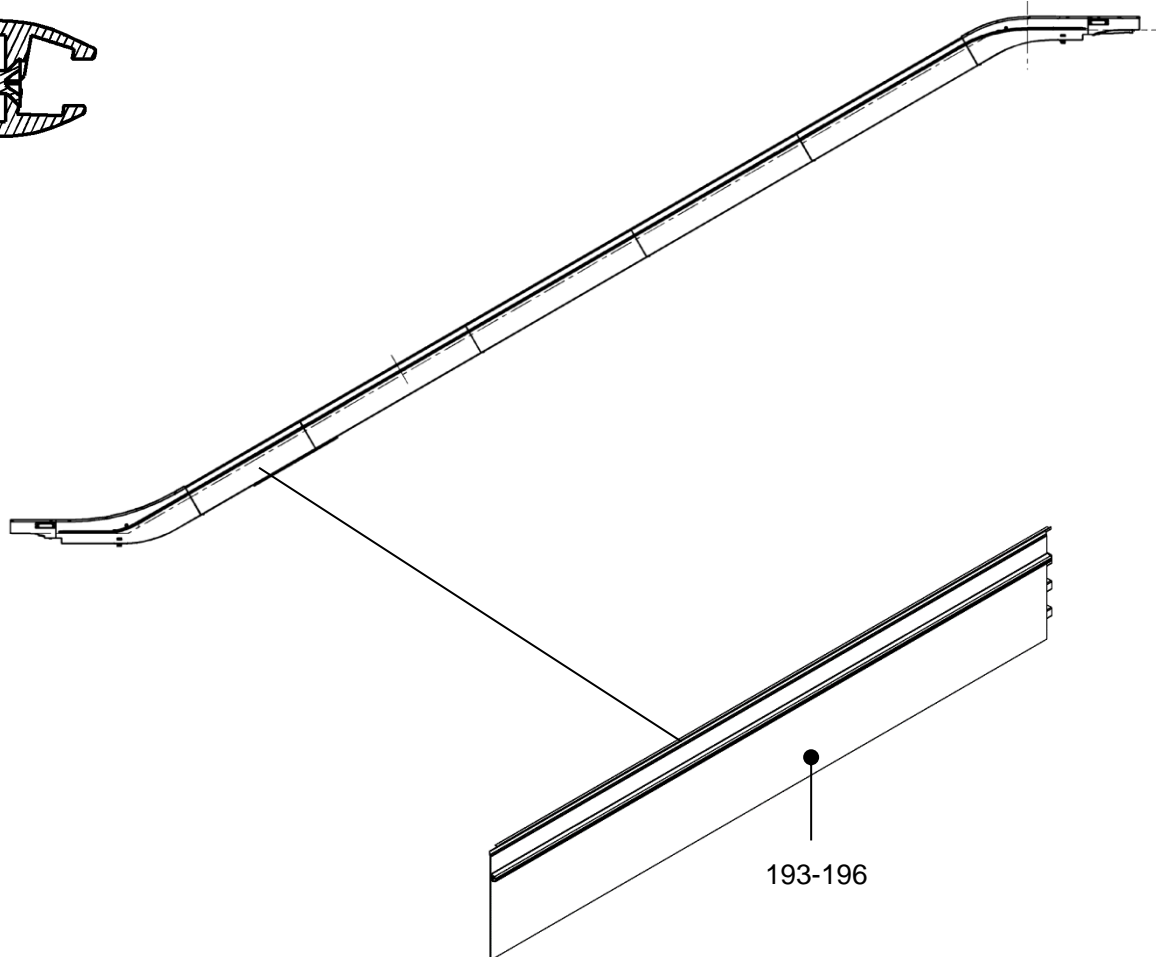
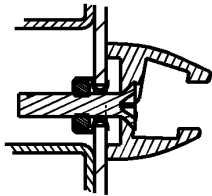
- 508NCE\_ANSI & 512NCE\_ANSI, Surface finish: “ G2 + RELIUS 536 I coating transparent” ;
- With black brush holder.



DAA26228CY		
REF. No.	PART No.	DESCRIPTION
189	DAA438PD-V9	Inclined section skirt panel with var. length, w/o skirt panel lighting, Left side.
190	DAA438PD-V10	Inclined section skirt panel with var. length, w/o skirt panel lighting, Right side
191	DAA438PD-V13	Inclined section skirt panel with var. length, w/ skirt panel lighting, Left side.
192	DAA438PD-V14	Inclined section skirt panel with var. length, w/ skirt panel lighting, Right side.

Inclined section skirt panel, for

- 508NCE\_ANSI & 512NCE\_ANSI, Surface finish “RELIUS 536 coating black” ;
- With silver brush holder.



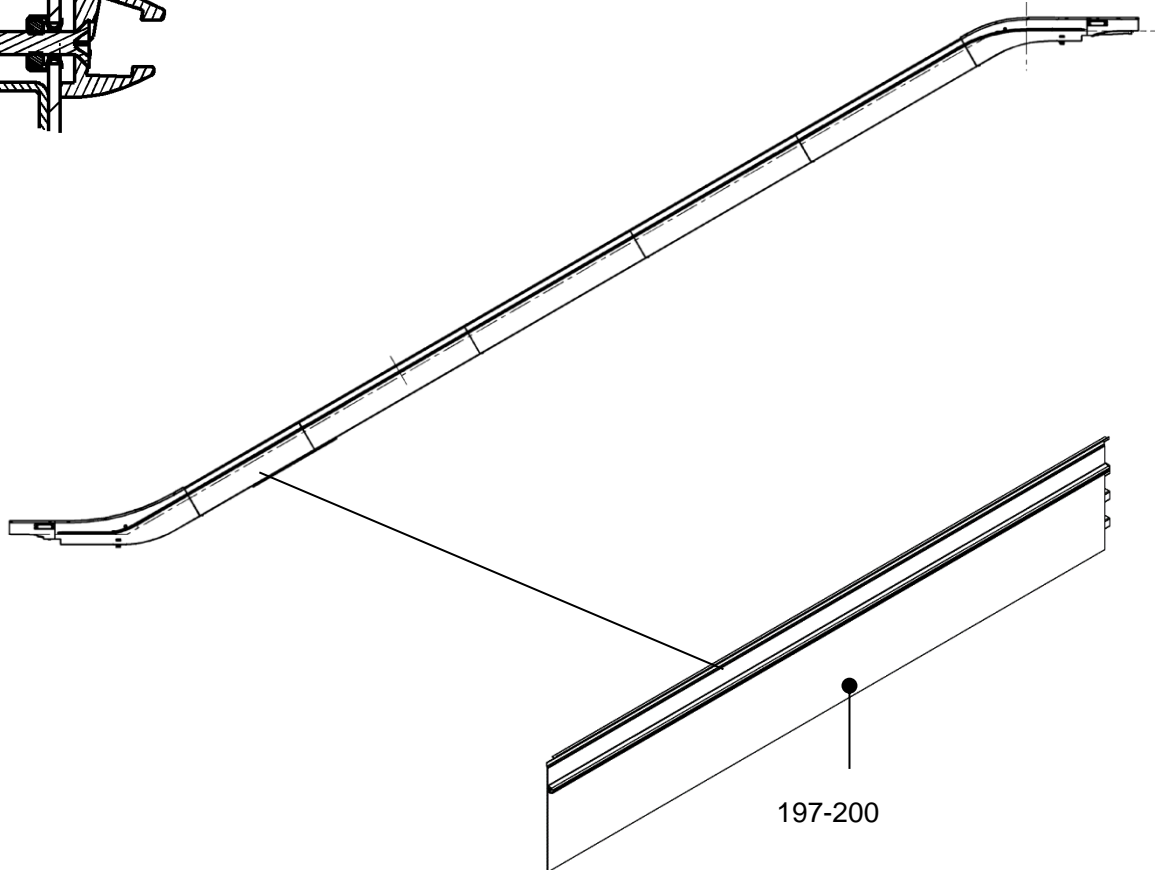
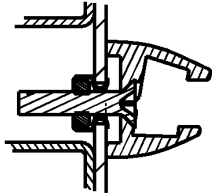
DAA26228CY		
REF. No.	PART No.	DESCRIPTION
193	DAA438PD-V17	Inclined section skirt panel with var. length, w/o skirt panel lighting, Left side.
194	DAA438PD-V18	Inclined section skirt panel with var. length, w/o skirt panel lighting, Right side.
195	DAA438PD-V21	Inclined section skirt panel with var. length, w/ skirt panel lighting, Left side.
196	DAA438PD-V22	Inclined section skirt panel with var. length, w/ skirt panel lighting, Right side.

**508NCE / 512NCE ESCALATOR  
Skirt Panel**

**57-DAA26228CY**

Inclined section skirt panel, for

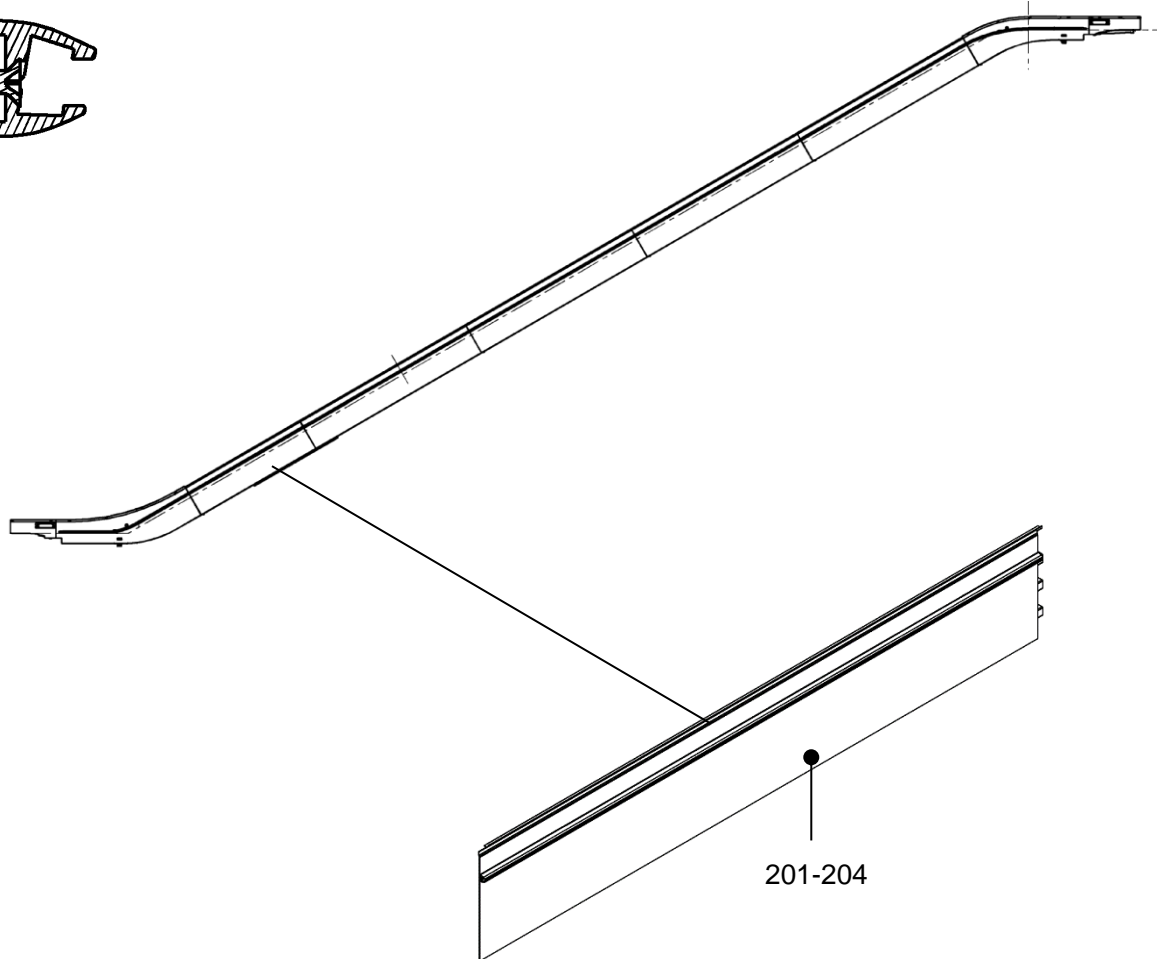
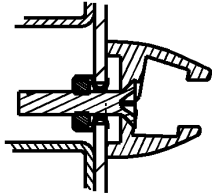
- 508NCE\_ANSI & 512NCE\_ANSI, Surface finish: “ G2 + RELIUS 536 I coating transparent” ;
- With silver brush holder.



DAA26228CY		
REF. No.	PART No.	DESCRIPTION
197	DAA438PD-V25	Inclined section skirt panel with var. length, w/o skirt panel lighting, Left side.
198	DAA438PD-V26	Inclined section skirt panel with var. length, w/o skirt panel lighting, Right side.
199	DAA438PD-V29	Inclined section skirt panel with var. length, w/ skirt panel lighting, Left side.
200	DAA438PD-V30	Inclined section skirt panel with var. length, w/ skirt panel lighting, Right side.

Inclined section skirt panel, for

- 508NCE\_ANSI & 512NCE\_ANSI, Surface finish: "RELIUS 536 coating black" ;
- With black brush holder.



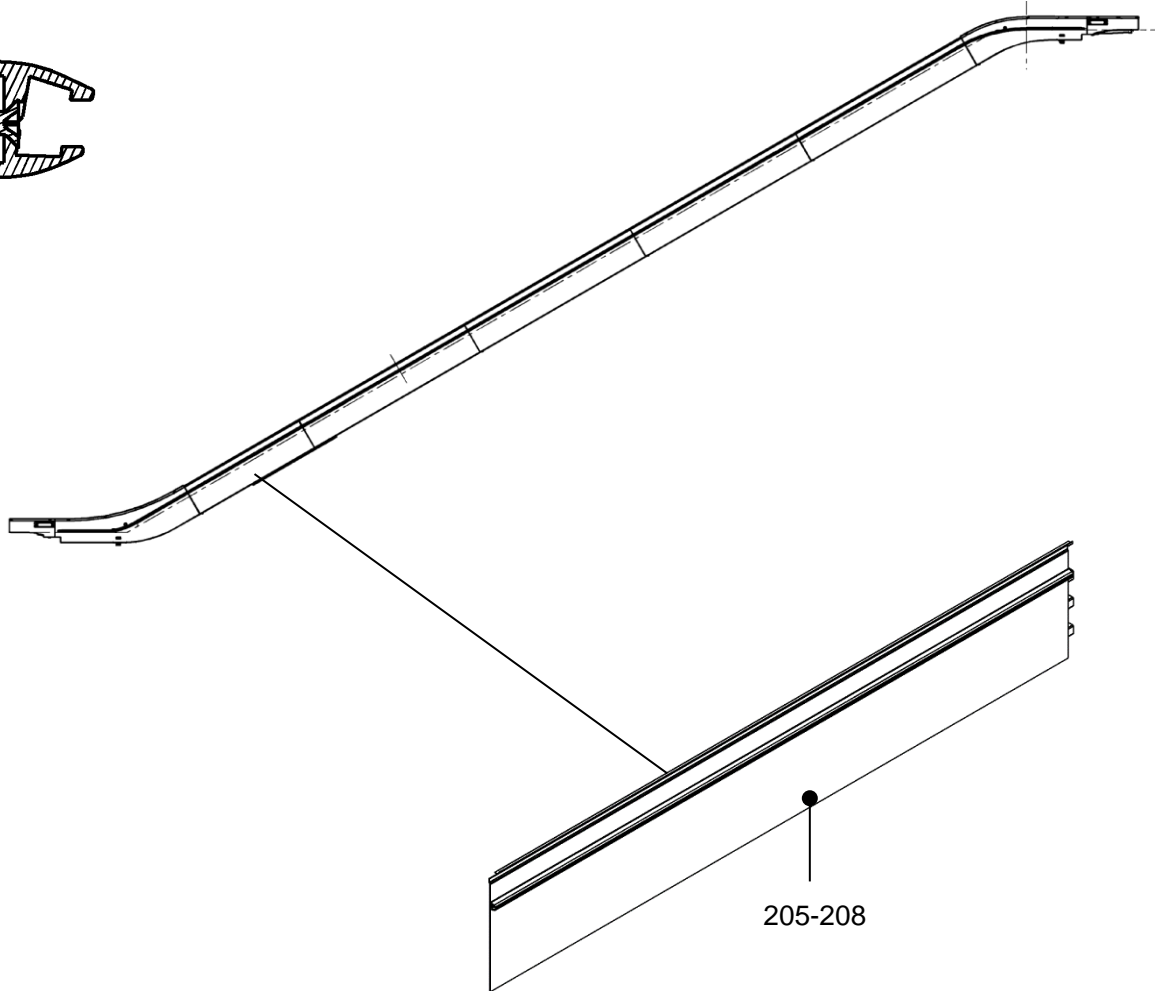
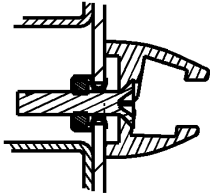
REF. No.	PART No.	DESCRIPTION
	DAA26228CY	
201	DAA438PD-V3	Inclined section skirt panel with 50mm overmeasure, w/o skirt panel lighting, Left side.
202	DAA438PD-V4	Inclined section skirt panel with 50mm overmeasure, w/o skirt panel lighting, Right side
203	DAA438PD-V7	Inclined section skirt panel with 50mm overmeasure, w/ skirt panel lighting, Left side.
204	DAA438PD-V8	Inclined section skirt panel with 50mm overmeasure, w/ skirt panel lighting, Right side.

**508NCE / 512NCE ESCALATOR  
Skirt Panel**

**57-DAA26228CY**

Inclined section skirt panel, for

- 508NCE\_ANSI & 512NCE\_ANSI, Surface finish: “ G2 + RELIUS 536 I coating transparent” ;
- With black brush holder.

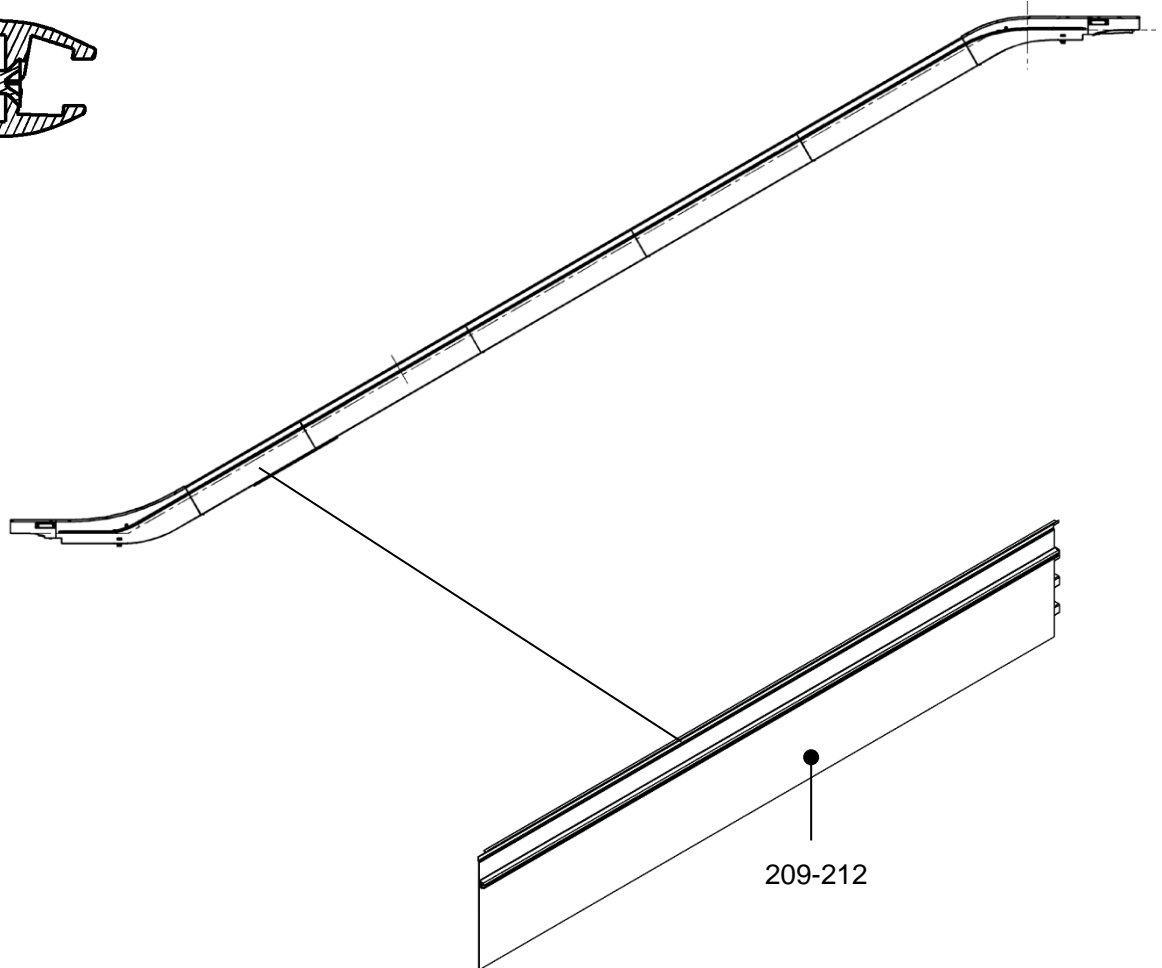
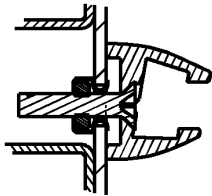


REF. No.	PART No.	DESCRIPTION
	DAA26228CY	
205	DAA438PD-V11	Inclined section skirt panel with 50mm overmeasure, w/o skirt panel lighting, Left side.
206	DAA438PD-V12	Inclined section skirt panel with 50mm overmeasure, w/o skirt panel lighting, Right side
207	DAA438PD-V15	Inclined section skirt panel with 50mm overmeasure, w/ skirt panel lighting, Left side.
208	DAA438PD-V16	Inclined section skirt panel with 50mm overmeasure, w/ skirt panel lighting, Right side.



Inclined section skirt panel, for

- 508NCE\_ANSI & 512NCE\_ANSI, Surface finish “RELIUS 536 coating black” ;
- With silver brush holder.



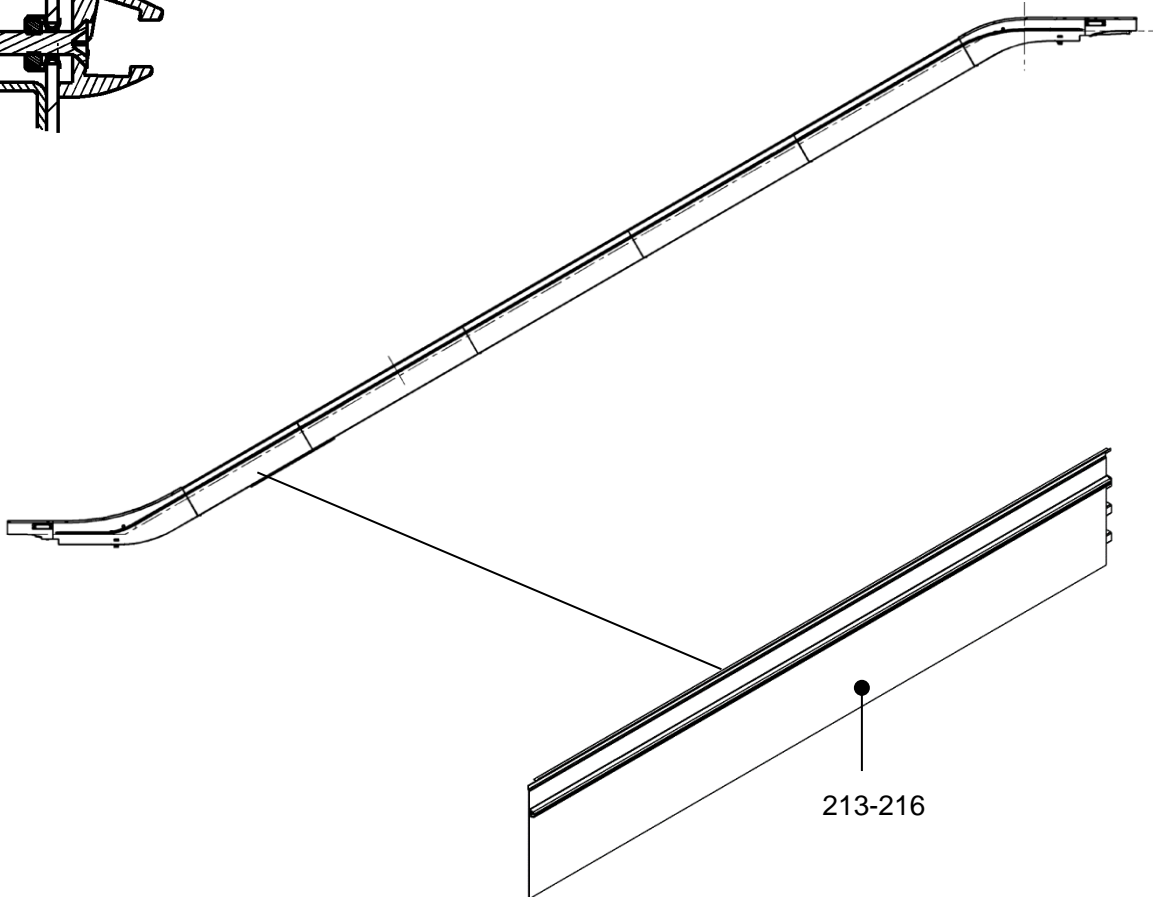
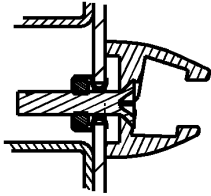
REF. No.	PART No.	DESCRIPTION
	DAA26228CY	
209	DAA438PD-V19	Inclined section skirt panel with 50mm overmeasure, w/o skirt panel lighting, Left side.
210	DAA438PD-V20	Inclined section skirt panel with 50mm overmeasure, w/o skirt panel lighting, Right side
211	DAA438PD-V23	Inclined section skirt panel with 50mm overmeasure, w/ skirt panel lighting, Left side.
212	DAA438PD-V24	Inclined section skirt panel with 50mm overmeasure, w/ skirt panel lighting, Right side.

**508NCE / 512NCE ESCALATOR  
Skirt Panel**

**57-DAA26228CY**

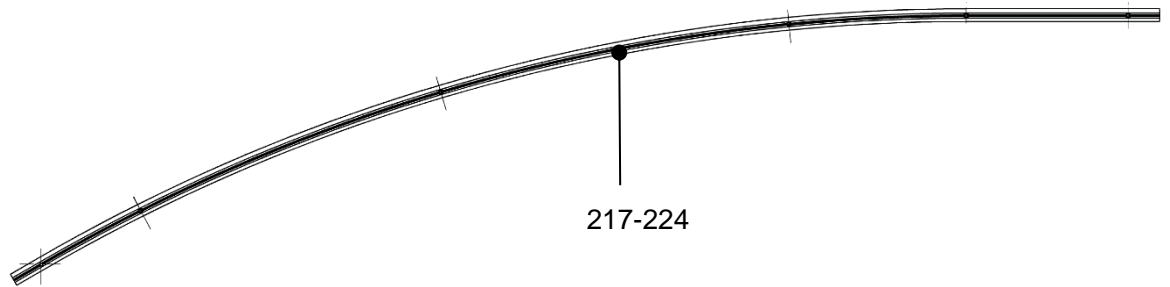
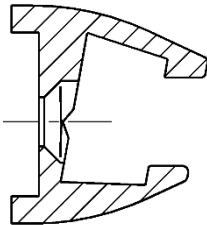
Inclined section skirt panel, for

- 508NCE\_ANSI & 512NCE\_ANSI, Surface finish: “ G2 + RELIUS 536 I coating transparent” ;
- With silver brush holder.



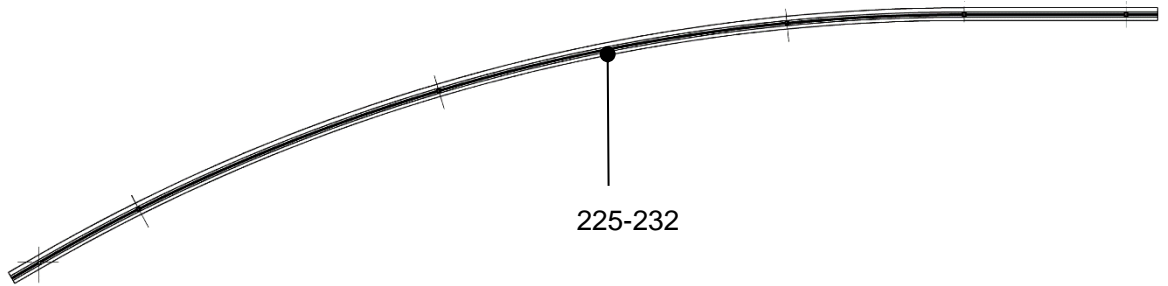
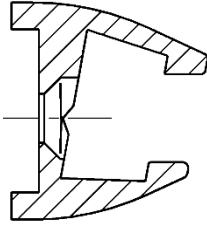
REF. No.	PART No.	DESCRIPTION
	DAA26228CY	
213	DAA438PD-V27	Inclined section skirt panel with 50mm overmeasure, w/o skirt panel lighting, Left side.
214	DAA438PD-V28	Inclined section skirt panel with 50mm overmeasure, w/o skirt panel lighting, Right side.
215	DAA438PD-V31	Inclined section skirt panel with 50mm overmeasure, w/ skirt panel lighting, Left side.
216	DAA438PD-V32	Inclined section skirt panel with 50mm overmeasure, w/ skirt panel lighting, Right side.

**Upper landing curve skirt brush holder for 508NCE-ANSI**

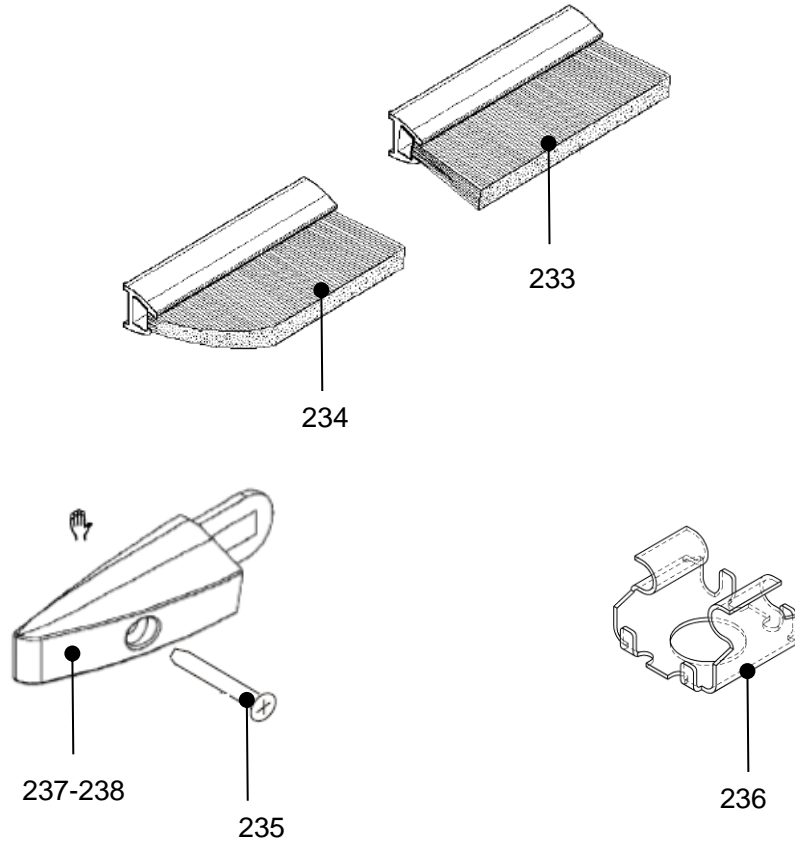


DAA26228CY		UPPER LANDING = UL	
REF. No.	PART No.	DESCRIPTION	TYPE
217	DAA402QD1	Curve skirt brush holder, UL, black, left side.	2 flat steps
218	DAA402QD2	Curve skirt brush holder, UL, black, right side	
219	DAA402QD3	Curve skirt brush holder, UL, black, left side.	3 flat steps
220	DAA402QD4	Curve skirt brush holder, UL, black, right side	
221	DAA402QD9	Curve skirt brush holder, UL, silver, left side.	2 flat steps
222	DAA402QD10	Curve skirt brush holder, UL, silver, right side	
223	DAA402QD11	Curve skirt brush holder, UL, silver, left side.	3 flat steps
224	DAA402QD12	Curve skirt brush holder, UL, silver, right side	

**Upper landing curve skirt brush holder for 512NCE-ANSI**



DAA26228CY		UPPER LANDING = UL	
REF. No.	PART No.	DESCRIPTION	TYPE
225	DAA402QD5	Curve skirt brush holder, UL, black, left side.	2 flat steps
226	DAA402QD6	Curve skirt brush holder, UL, black, right side	
227	DAA402QD7	Curve skirt brush holder, UL, black, left side.	3 flat steps
228	DAA402QD8	Curve skirt brush holder, UL, black, right side	
229	DAA402QD13	Curve skirt brush holder, UL, silver, left side.	2 flat steps
230	DAA402QD14	Curve skirt brush holder, UL, silver, right side	
231	DAA402QD15	Curve skirt brush holder, UL, silver, left side.	3 flat steps
232	DAA402QD16	Curve skirt brush holder, UL, silver, right side	

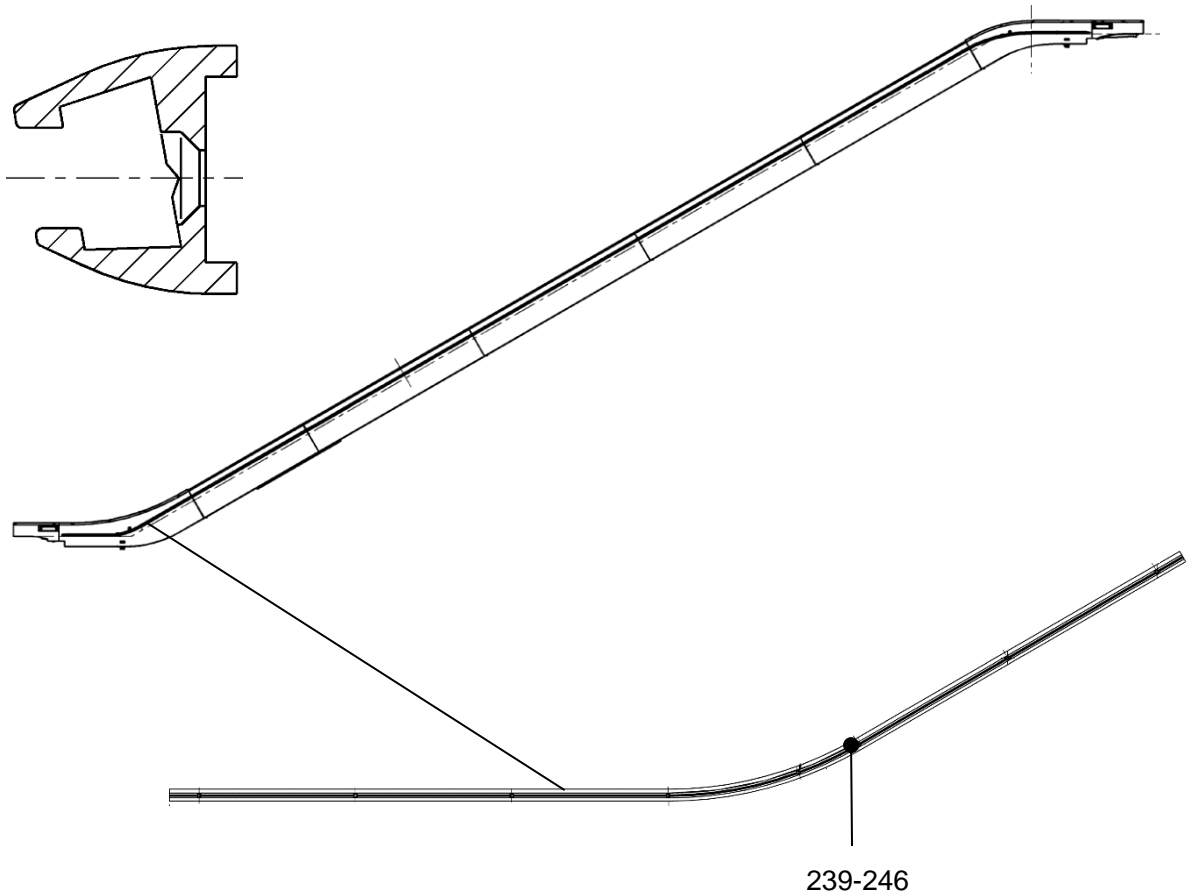


DAA26228CY		UPPER LANDING = UL
REF. No.	PART No.	DESCRIPTION
233	GAA241G1	Brush, inclined section
234	GAA241G2	Brush, landing
235	GB819.1/M4X20H-4.8-Z	Counter sunk flat head screw (ISO7046M4X20-4.8Z)
236	DAA72BA1	Nut
237	GAA273WJ1	End cap, left side
238	GAA273WJ2	End cap, right side

**508NCE / 512NCE ESCALATOR  
Skirt Panel**

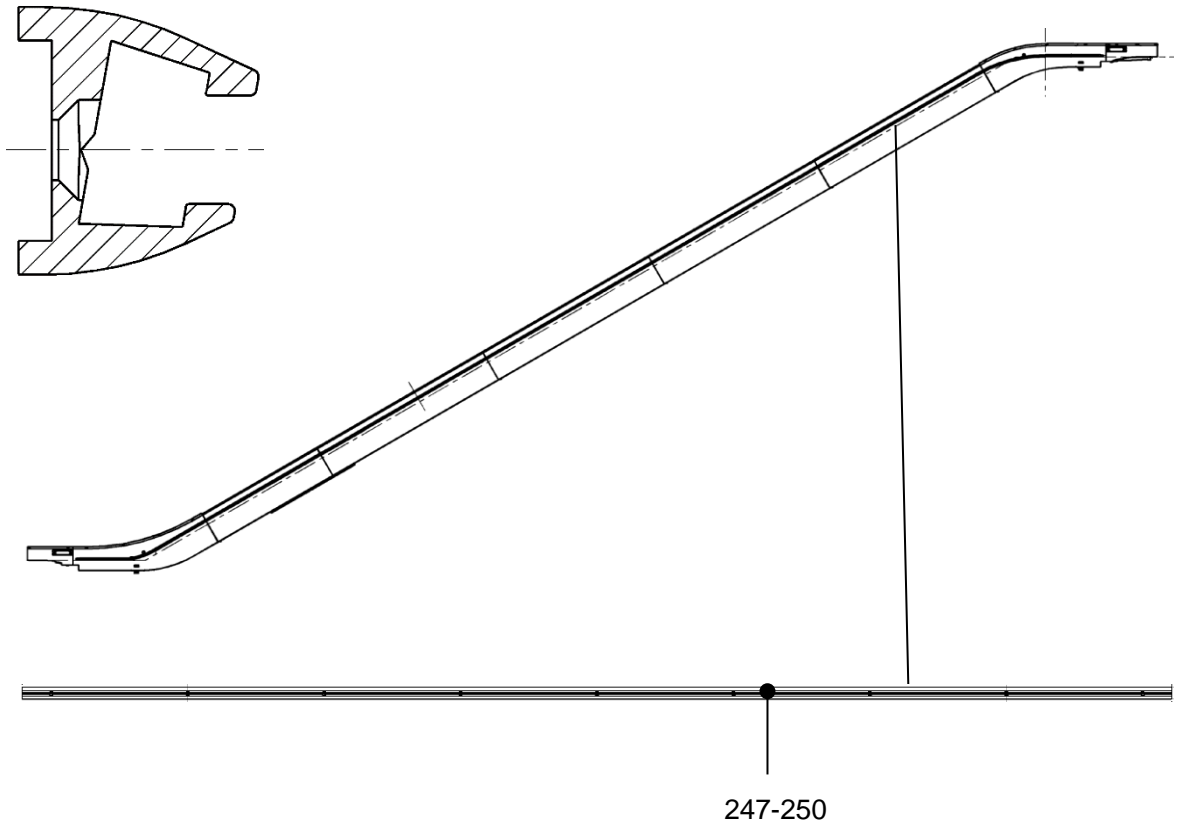
**57-DAA26228CY**

**Lower landing curve brush holder, for  
- 508NCE & 512NCE.**



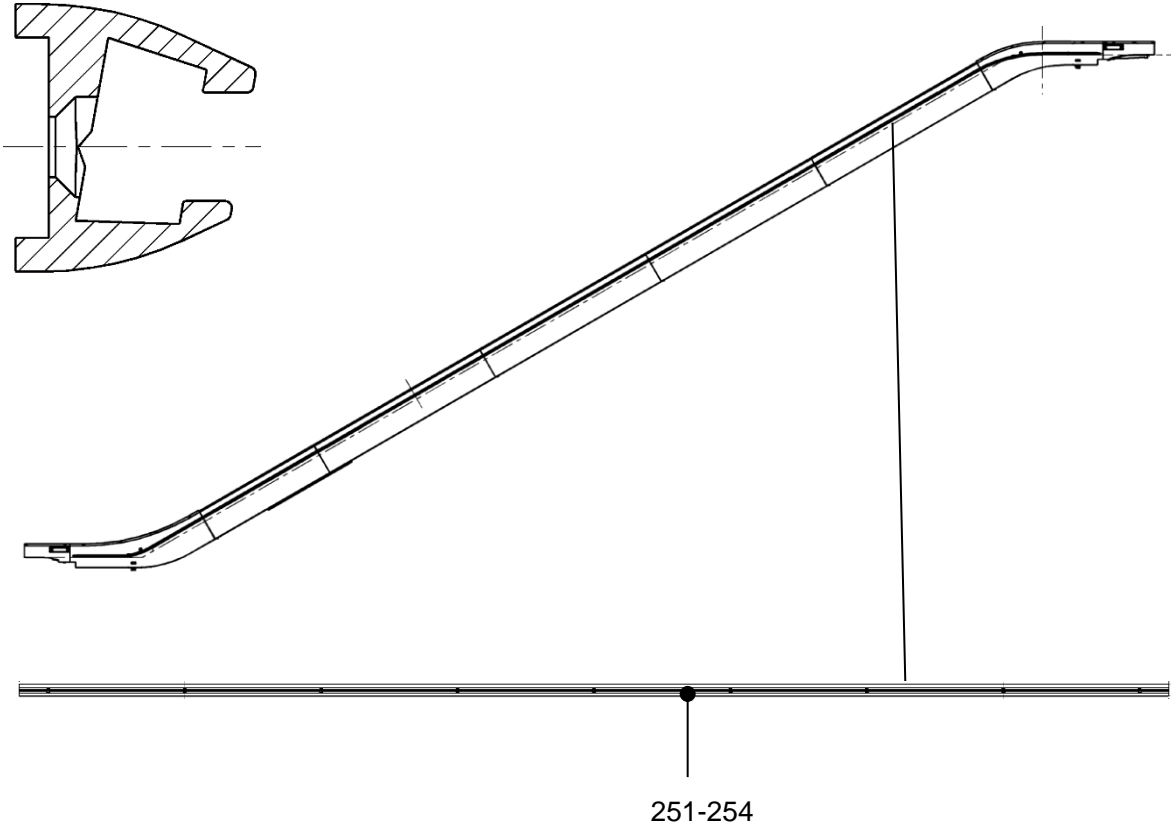
DAA26228CY		<b>LOWER LANDING = LL</b>	
<b>REF. No.</b>	<b>PART No.</b>	<b>DESCRIPTION</b>	<b>TYPE</b>
239	DAA402QE1	Curve brush holder, black, LL, Left side.	2 flat steps
240	DAA402QE2	Curve brush holder, black, LL, Right side	
241	DAA402QE3	Curve brush holder, black, LL, Left side.	3 flat steps
242	DAA402QE4	Curve brush holder, black, LL, Right side.	
243	DAA402QE5	Curve brush holder, silver, LL, Left side.	2 flat steps
244	DAA402QE6	Curve brush holder, silver, LL, Right side	
245	DAA402QE7	Curve brush holder, silver, LL, Left side.	3 flat steps
246	DAA402QE8	Curve brush holder, silver, LL, Right side.	

Inclined section brush holder, for  
- 508NCE\_ANSI,



DAA26228CY		
REF. No.	PART No.	DESCRIPTION
247	DAA402QF9	Inclined section brush holder, black, Left side.
248	DAA402QF10	Inclined section brush holder, black, Right side
249	DAA402QF13	Inclined section brush holder, silver, Left side.
250	DAA402QF14	Inclined section brush holder, silver, Right side.

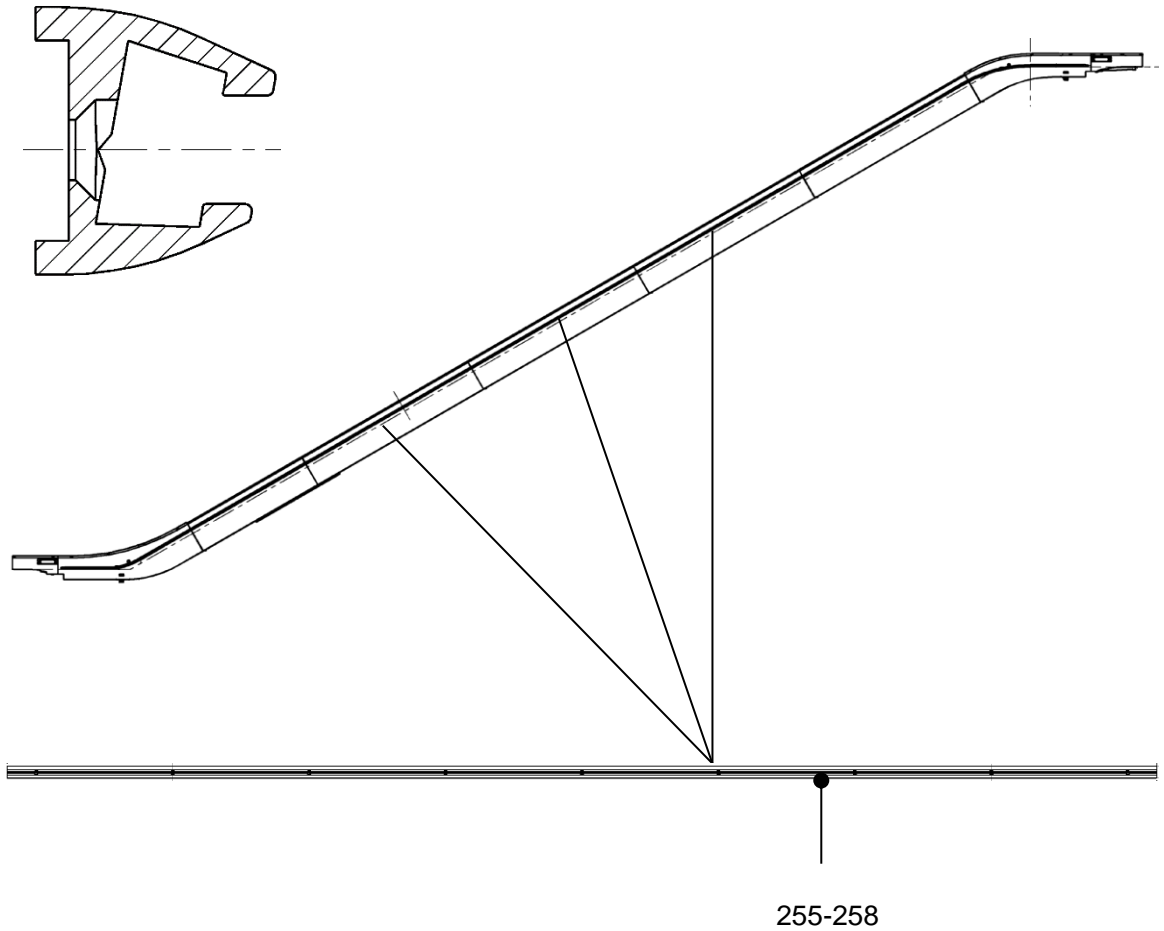
Inclined section brush holder, for  
- 512NCE\_ANSI,



DAA26228CY		
REF. No.	PART No.	DESCRIPTION
251	DAA402QF11	Inclined section brush holder, black, Left side.
252	DAA402QF12	Inclined section brush holder, black, Right side
253	DAA402QF15	Inclined section brush holder, silver, Left side.
254	DAA402QF16	Inclined section brush holder, silver, Right side.

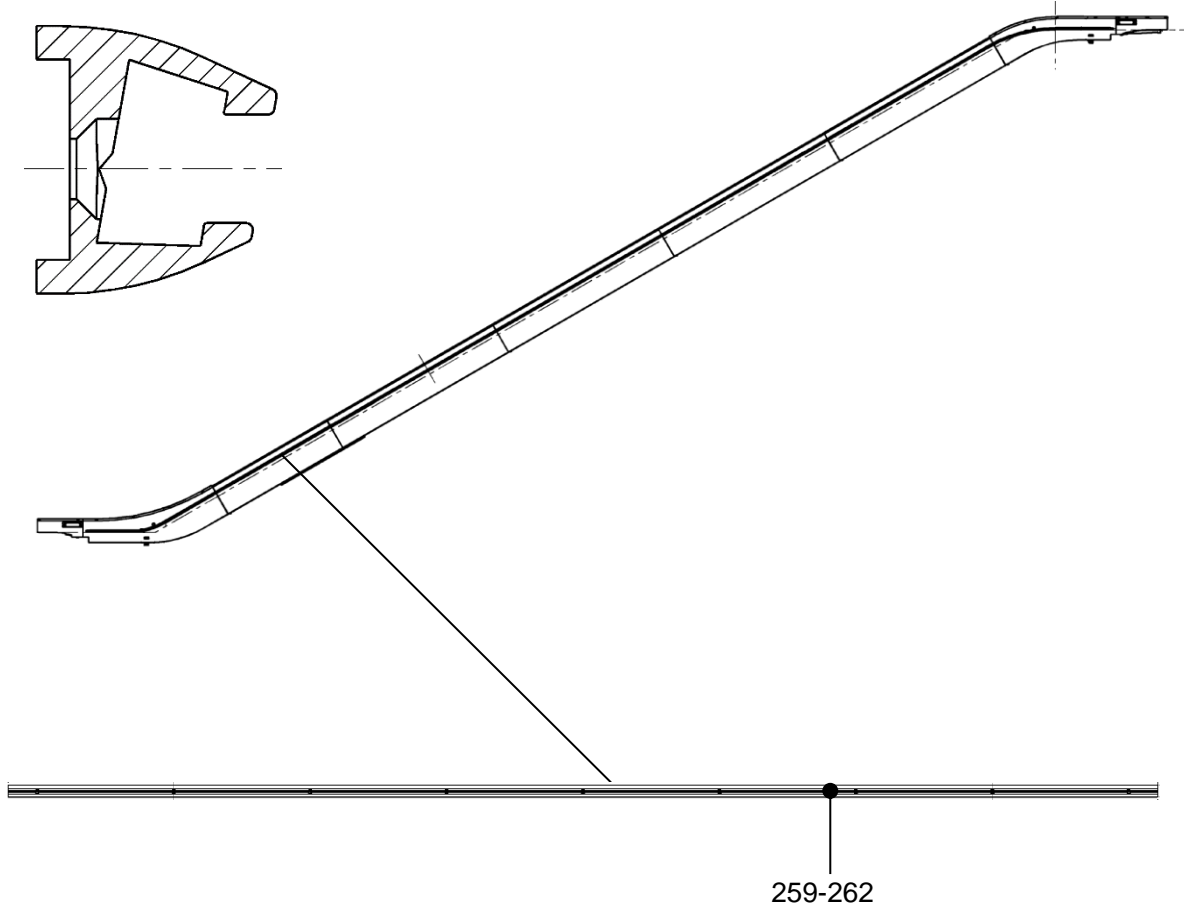


Inclined section brush holder, for  
- 508NCE\_ANSI & 512NCE\_ANSI,



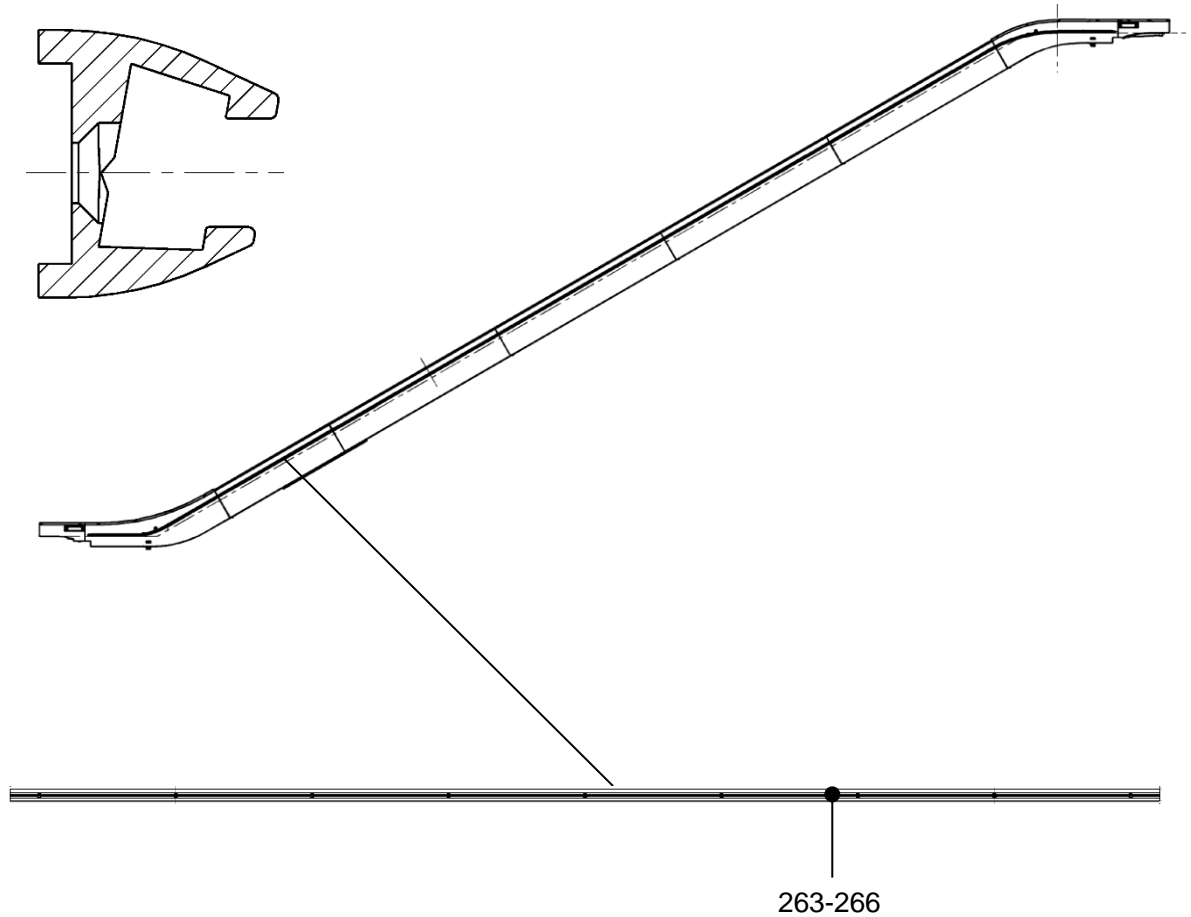
DAA26228CY		
REF. No.	PART No.	DESCRIPTION
255	DAA402QF1	Inclined section brush holder, black, Left side.
256	DAA402QF2	Inclined section brush holder, black, Right side.
257	DAA402QF5	Inclined section brush holder, silver, Left side.
258	DAA402QF6	Inclined section brush holder, silver, Right side.

Inclined section brush holder, for  
- 508NCE\_ANSI & 512NCE\_ANSI,



DAA26228CY		
REF. No.	PART No.	DESCRIPTION
259	DAA402QF-V1	Inclined section brush holder var. length, black, Left side.
260	DAA402QF-V2	Inclined section brush holder var. length, black, Right side
261	DAA402QF-V5	Inclined section brush holder var. length, silver, Left side.
262	DAA402QF-V6	Inclined section brush holder var. length, silver, Right side.

Inclined section brush holder, for  
- 508NCE\_ANSI & 512NCE\_ANSI,



REF. No.	PART No.	DESCRIPTION
263	DAA402QF-V3	Inclined section brush holder var. length with 50mm overmeasure, black, Left side.
264	DAA402QF-V4	Inclined section brush holder var. length with 50mm overmeasure, black, Right side.
265	DAA402QF-V7	Inclined section brush holder var. length with 50mm overmeasure, silver, Left side.
266	DAA402QF-V8	Inclined section brush holder var. length with 50mm overmeasure, silver, Right side.