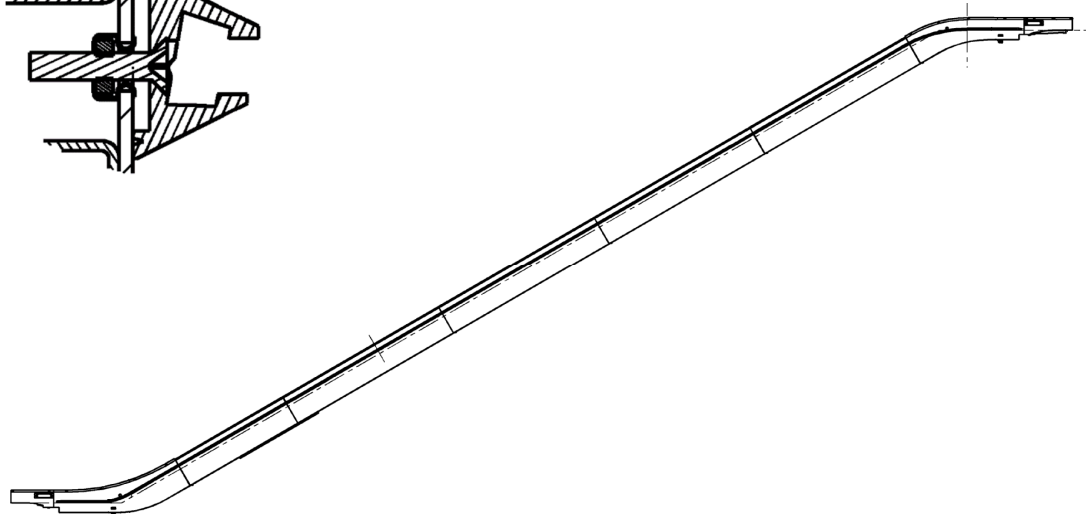
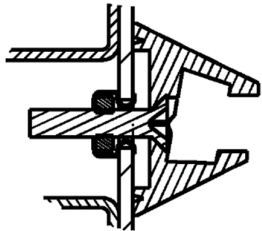
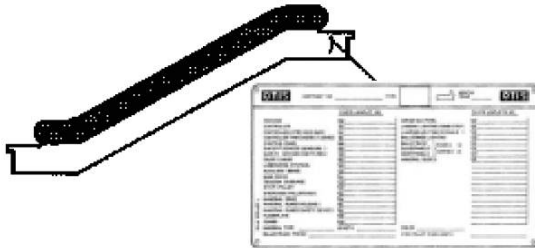


**508NCE / 512NCE ESCALATOR  
Skirt Panel**

**Spare Parts Leaflet**

**57-DAA26228EK**

**June 30, 2017, Page 1 of 59**



**Notes:**

The 'left side' and 'right side' is defined when passenger stands at the lower landing, facing the escalator

**OTIS**

**Safety First!**

**ESCALATOR ENGINEERING  
Otis Elevator Company  
SIT GUANGZHOU**

**Leaflet Description****ANSI Glass Balustrade Skirt panel****- 508NCE ANSI****- 512NCE ANSI****Leaflet Revisions**

<b>Date Revised</b>	<b>Subject Matter Expert</b>	<b>Reason for Revision</b>
2014-07-15	Li Biao	Original document
2017-06-30	Zhang, Hengxun	Parts of brush holder (REF No. 303-330) added.

**Related Drawings**

<b>Drawing No.</b>	<b>Title</b>	<b>Drawing No.</b>	<b>Title</b>
DAA26228EK	Skirt Panel		

**Related Documents**

<b>Document ID</b>	<b>Title</b>
ODS DAA27076NQ	Skirt Panel

**Subject Matter Expert**

<b>Name</b>	<b>Department</b>
Li Biao	SIT-GUANGZHOU

**About Spare Parts Leaflets**

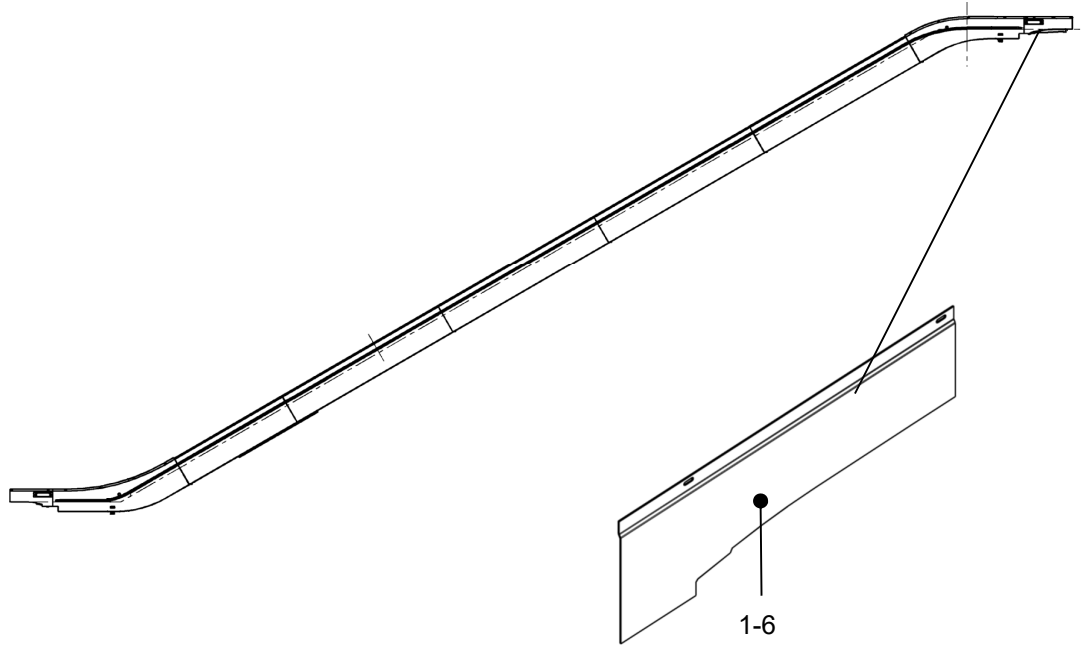
This document lists the lowest replaceable units (LRUs) for the standard version of the product. The LRUs are chosen by a team of Otis associates representing engineering and manufacturing.

While goal of this document is to make parts identification as easy as possible, the document cannot be all-inclusive. Elevator and escalator contracts classified as "special" or "custom" are not addressed here. For such contracts, please refer to specified information, the contract folder, TIPs, Field Education Articles, Construction Letters, etc. for further information.

If you have any suggestions about this document, please contact the subject matter expert listed on this page.

First skirt panel, for

- 508NCE\_ANSI & 512NCE\_ANSI. Surface finish: low friction powder coating black
- Only for aluminum floor plate



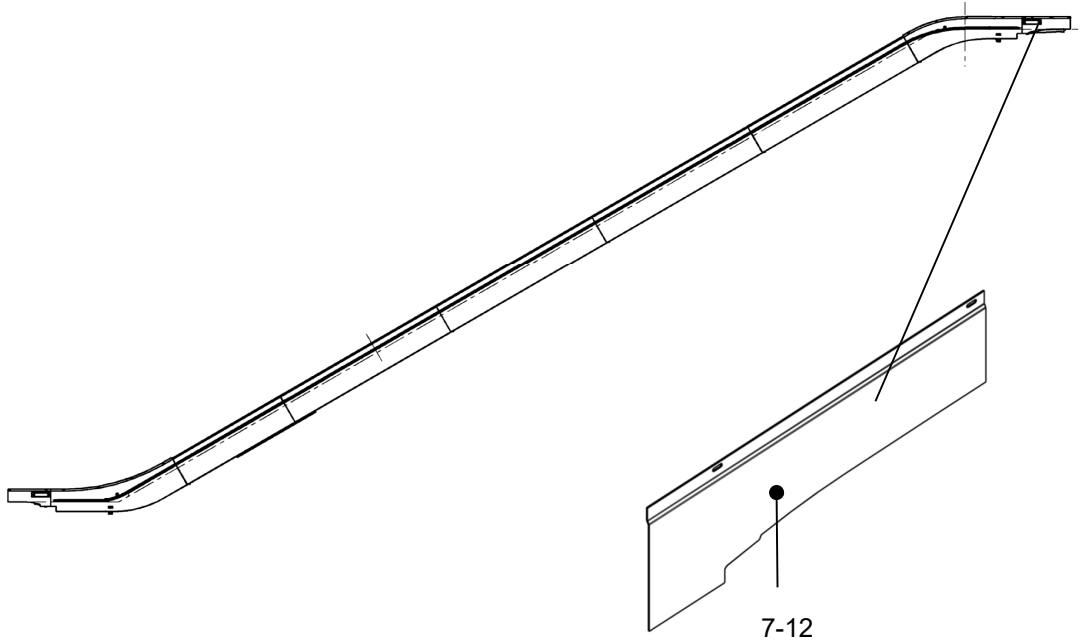
DAA26228EK		UPPER LANDING = UL	
REF. No.	PART No.	DESCRIPTION	TYPE
1	DAA438TX1	First skirt panel, w/o comb lighting & w/o skirt panel lighting, UL Left side.	2&3 flat steps
2	DAA438TX2	First skirt panel, w/o comb lighting & w/o skirt panel lighting, UL Right side.	
3	DAA438TX5	First skirt panel, w/o comb lighting & w/ skirt panel lighting, UL Left side.	
4	DAA438TX6	First skirt panel, w/o comb lighting & w/ skirt panel lighting, UL Right side.	
5	DAA438TX9	First skirt panel, w/ comb lighting & w/o skirt panel lighting, UL Left side.	
6	DAA438TX10	First skirt panel, w/ comb lighting & w/o skirt panel lighting, UL Right side.	

**508NCE / 512NCE ESCALATOR  
Skirt Panel**

**57-DAA26228EK**

First skirt panel, for

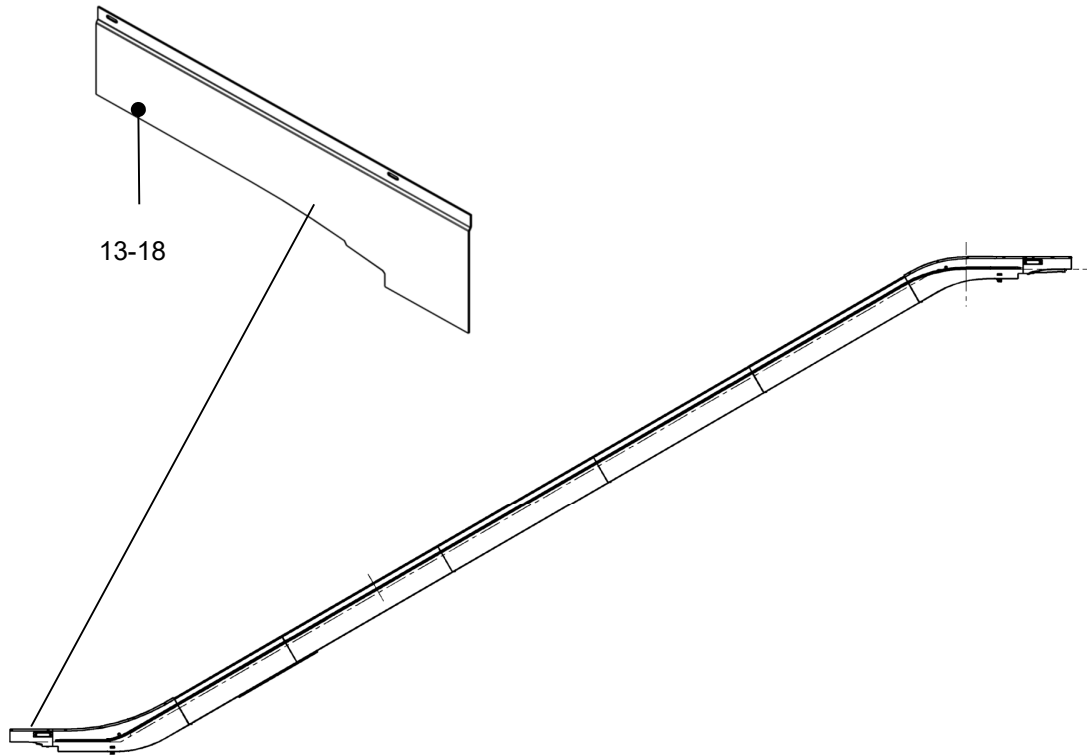
- 508NCE\_ANSI & 512NCE\_ANSI. Surface finish: G2 + low friction powder coating transparent
- Only for aluminum floor plate



DAA26228EK		UPPER LANDING = UL	
REF. No.	PART No.	DESCRIPTION	TYPE
7	DAA438TX13	First skirt panel, w/o comb lighting & w/o skirt panel lighting, UL Left side.	2&3 flat steps
8	DAA438TX14	First skirt panel, w/o comb lighting & w/o skirt panel lighting, UL Right side.	
9	DAA438TX17	First skirt panel, w/o comb lighting & w/ skirt panel lighting, UL Left side.	
10	DAA438TX18	First skirt panel, w/o comb lighting & w/ skirt panel lighting, UL Right side.	
11	DAA438TX21	First skirt panel, w/ comb lighting & w/o skirt panel lighting, UL Left side.	
12	DAA438TX22	First skirt panel, w/ comb lighting & w/o skirt panel lighting, UL Right side.	

First skirt panel, for

- 508NCE\_ANSI. Surface finish: low friction powder coating black.
- Only for aluminum floor plate



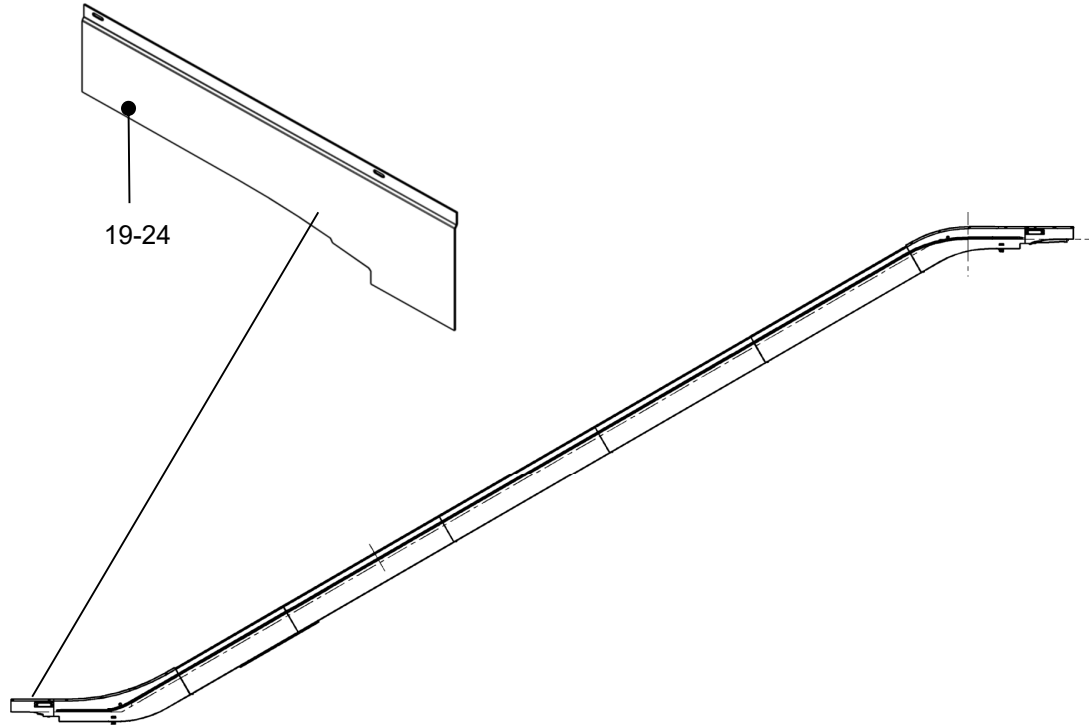
DAA26228EK		LOWER LANDING = LL	
REF. No.	PART No.	DESCRIPTION	TYPE
13	DAA438TX3	First skirt panel, w/o comb lighting & w/o skirt panel lighting, LL Left side.	2&3 flat steps
14	DAA438TX4	First skirt panel, w/o comb lighting & w/o skirt panel lighting, LL Right side.	
15	DAA438TX7	First skirt panel, w/o comb lighting & w/ skirt panel lighting, LL Left side.	
16	DAA438TX8	First skirt panel, w/o comb lighting & w/ skirt panel lighting, LL Right side.	
17	DAA438TX11	First skirt panel, w/ comb lighting & w/o skirt panel lighting, LL Left side.	
18	DAA438TX12	First skirt panel, w/ comb lighting & w/o skirt panel lighting, LL Right side.	

**508NCE / 512NCE ESCALATOR  
Skirt Panel**

**57-DAA26228EK**

First skirt panel, for

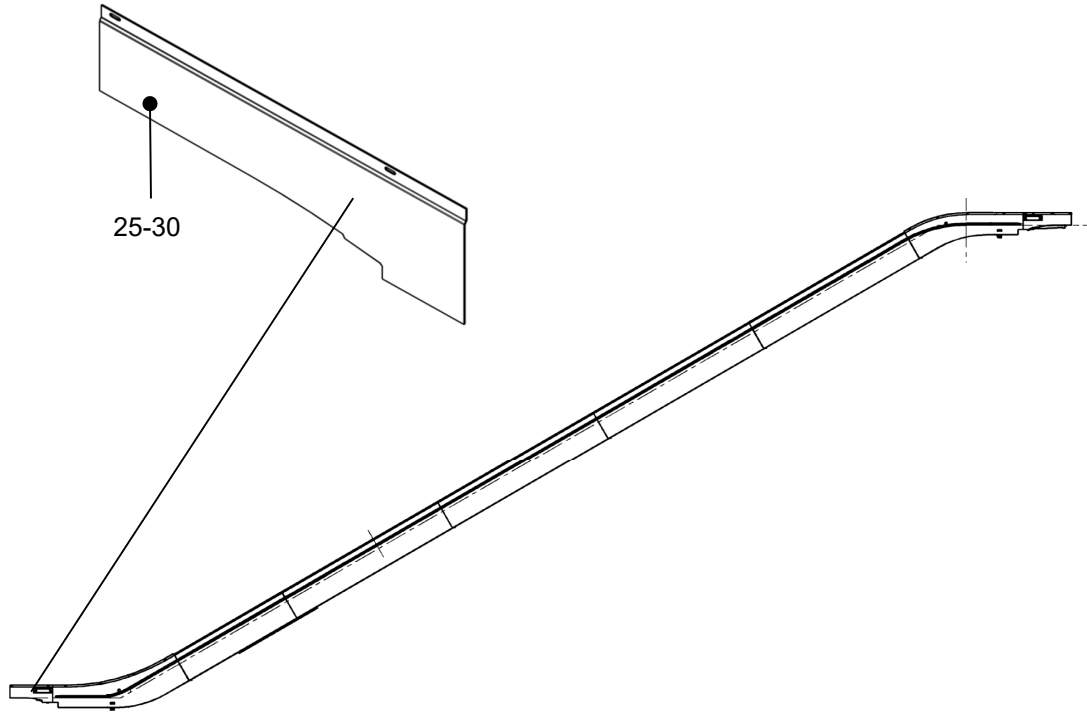
- 508NCE\_ANSI. Surface finish: G2 + low friction powder coating transparent.
- Only for aluminum floor plate



DAA26228EK		LOWER LANDING = LL	
REF. No.	PART No.	DESCRIPTION	TYPE
19	DAA438TX15	First skirt panel, w/o comb lighting & w/o skirt panel lighting, LL Left side.	2&3 flat steps
20	DAA438TX16	First skirt panel, w/o comb lighting & w/o skirt panel lighting, LL Right side.	
21	DAA438TX19	First skirt panel, w/o comb lighting & w/ skirt panel lighting, LL Left side.	
22	DAA438TX20	First skirt panel, w/o comb lighting & w/ skirt panel lighting, LL Right side.	
23	DAA438TX23	First skirt panel, w/ comb lighting & w/o skirt panel lighting, LL Left side.	
24	DAA438TX24	First skirt panel, w/ comb lighting & w/o skirt panel lighting, LL Right side.	

First skirt panel, for

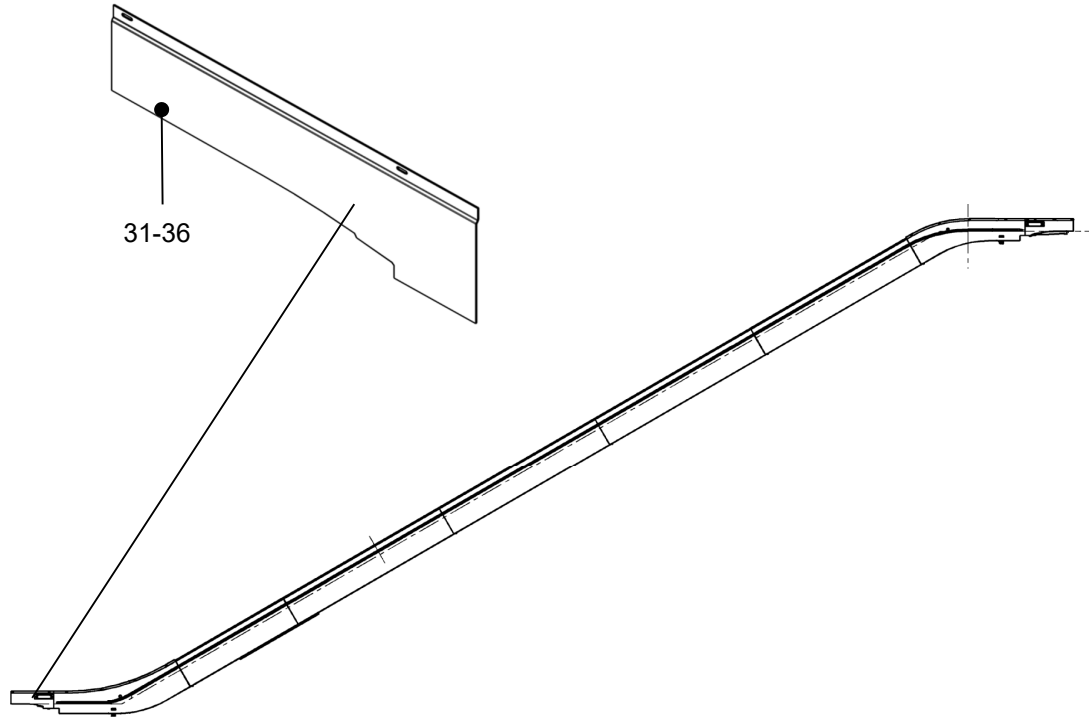
- 512NCE\_ANSI. Surface finish: low friction powder coating black.
- Only for aluminum floor plate



DAA26228EK		LOWER LANDING = LL	
REF. No.	PART No.	DESCRIPTION	TYPE
25	DAA438TX1	First skirt panel, w/o comb lighting & w/o skirt panel lighting, LL Left side.	2&3 flat steps
26	DAA438TX2	First skirt panel, w/o comb lighting & w/o skirt panel lighting, LL Right side.	
27	DAA438TX5	First skirt panel, w/o comb lighting & w/ skirt panel lighting, LL Left side.	
28	DAA438TX6	First skirt panel, w/o comb lighting & w/ skirt panel lighting, LL Right side.	
29	DAA438TX9	First skirt panel, w/ comb lighting & w/o skirt panel lighting, LL Left side.	
30	DAA438TX10	First skirt panel, w/ comb lighting & w/o skirt panel lighting, LL Right side.	

First skirt panel, for

- 512NCE\_ANSI. Surface finish: G2 + low friction powder coating transparent.
- Only for aluminum floor plate

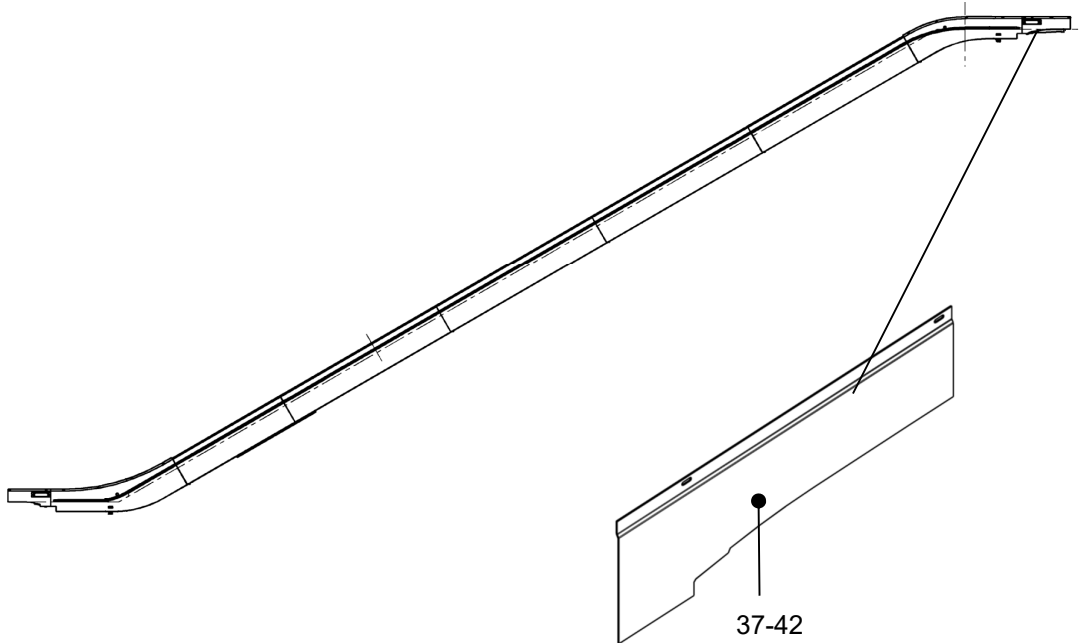


DAA26228EK		LOWER LANDING = LL	
REF. No.	PART No.	DESCRIPTION	TYPE
31	DAA438TX13	First skirt panel, w/o comb lighting & w/o skirt panel lighting, LL Left side.	2&3 flat steps
32	DAA438TX14	First skirt panel, w/o comb lighting & w/o skirt panel lighting, LL Right side.	
33	DAA438TX17	First skirt panel, w/o comb lighting & w/ skirt panel lighting, LL Left side.	
34	DAA438TX18	First skirt panel, w/o comb lighting & w/ skirt panel lighting, LL Right side.	
35	DAA438TX21	First skirt panel, w/ comb lighting & w/o skirt panel lighting, LL Left side.	
36	DAA438TX22	First skirt panel, w/ comb lighting & w/o skirt panel lighting, LL Right side.	



First skirt panel, for

- 508NCE\_ANSI & 512NCE\_ANSI. Surface finish: low friction powder coating black
- Only for steel floor plate



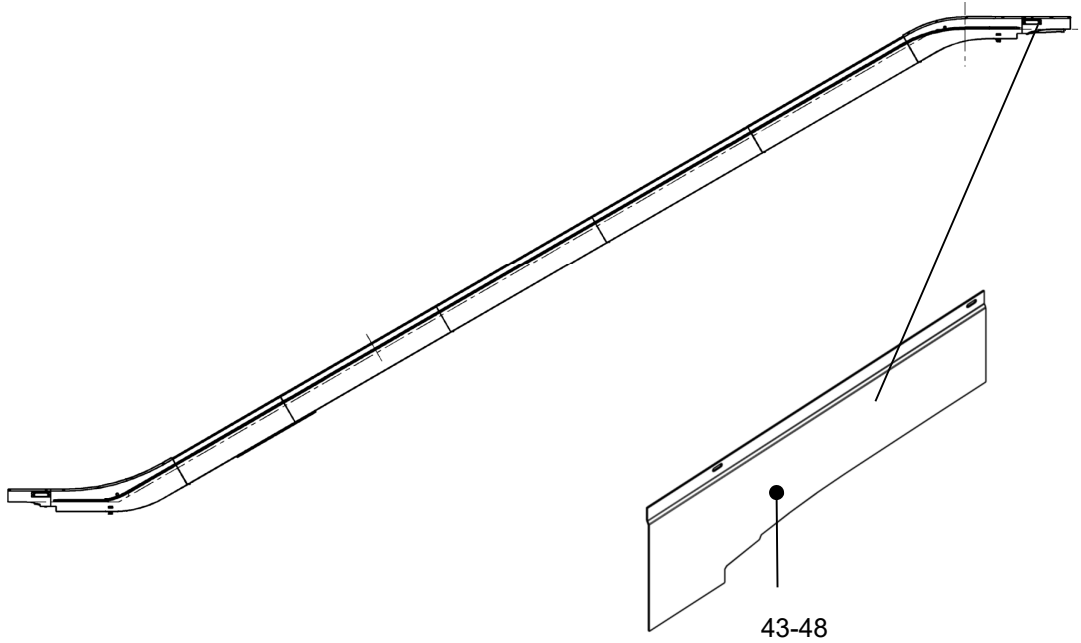
DAA26228EK		UPPER LANDING = UL	
REF. No.	PART No.	DESCRIPTION	TYPE
37	DAA438VA1	First skirt panel, w/o comb lighting & w/o skirt panel lighting, UL Left side.	2&3 flat steps
38	DAA438VA2	First skirt panel, w/o comb lighting & w/o skirt panel lighting, UL Right side.	
39	DAA438VA5	First skirt panel, w/o comb lighting & w/ skirt panel lighting, UL Left side.	
40	DAA438VA6	First skirt panel, w/o comb lighting & w/ skirt panel lighting, UL Right side.	
41	DAA438VA9	First skirt panel, w/ comb lighting & w/o skirt panel lighting, UL Left side.	
42	DAA438VA10	First skirt panel, w/ comb lighting & w/o skirt panel lighting, UL Right side.	

**508NCE / 512NCE ESCALATOR  
Skirt Panel**

**57-DAA26228EK**

First skirt panel, for

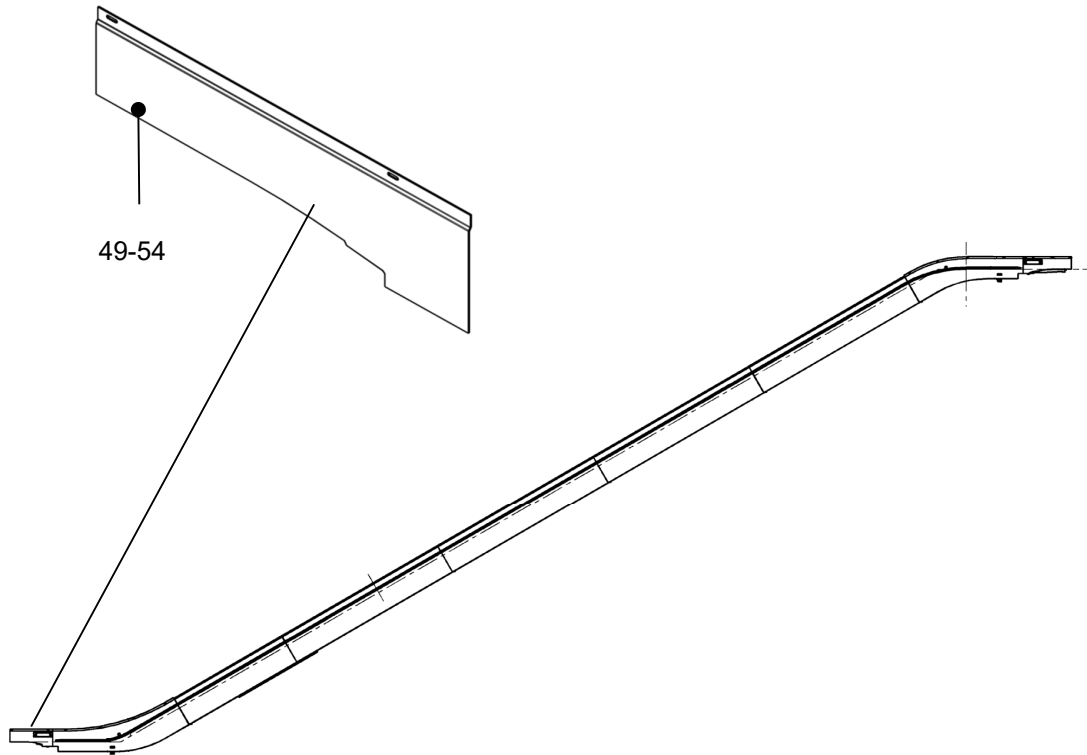
- 508NCE\_ANSI & 512NCE\_ANSI. Surface finish: G2 + low friction powder coating transparent
- Only for steel floor plate



DAA26228EK		UPPER LANDING = UL	
REF. No.	PART No.	DESCRIPTION	TYPE
43	DAA438VA13	First skirt panel, w/o comb lighting & w/o skirt panel lighting, UL Left side.	2&3 flat steps
44	DAA438VA14	First skirt panel, w/o comb lighting & w/o skirt panel lighting, UL Right side.	
45	DAA438VA17	First skirt panel, w/o comb lighting & w/ skirt panel lighting, UL Left side.	
46	DAA438VA18	First skirt panel, w/o comb lighting & w/ skirt panel lighting, UL Right side.	
47	DAA438VA21	First skirt panel, w/ comb lighting & w/o skirt panel lighting, UL Left side.	
48	DAA438VA22	First skirt panel, w/ comb lighting & w/o skirt panel lighting, UL Right side.	

First skirt panel, for

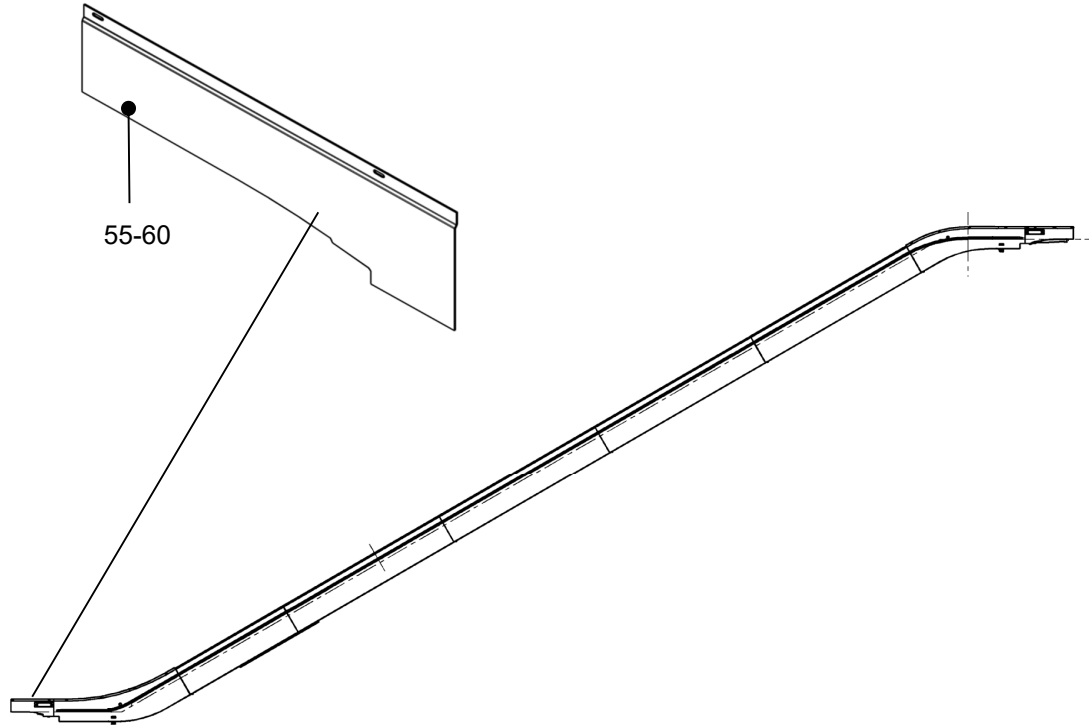
- 508NCE\_ANSI. Surface finish: low friction powder coating black.
- Only for steel floor plate



DAA26228EK		LOWER LANDING = LL	
REF. No.	PART No.	DESCRIPTION	TYPE
49	DAA438VA3	First skirt panel, w/o comb lighting & w/o skirt panel lighting, LL Left side.	2&3 flat steps
50	DAA438VA4	First skirt panel, w/o comb lighting & w/o skirt panel lighting, LL Right side.	
51	DAA438VA7	First skirt panel, w/o comb lighting & w/ skirt panel lighting, LL Left side.	
52	DAA438VA8	First skirt panel, w/o comb lighting & w/ skirt panel lighting, LL Right side.	
53	DAA438VA11	First skirt panel, w/ comb lighting & w/o skirt panel lighting, LL Left side.	
54	DAA438VA12	First skirt panel, w/ comb lighting & w/o skirt panel lighting, LL Right side.	

First skirt panel, for

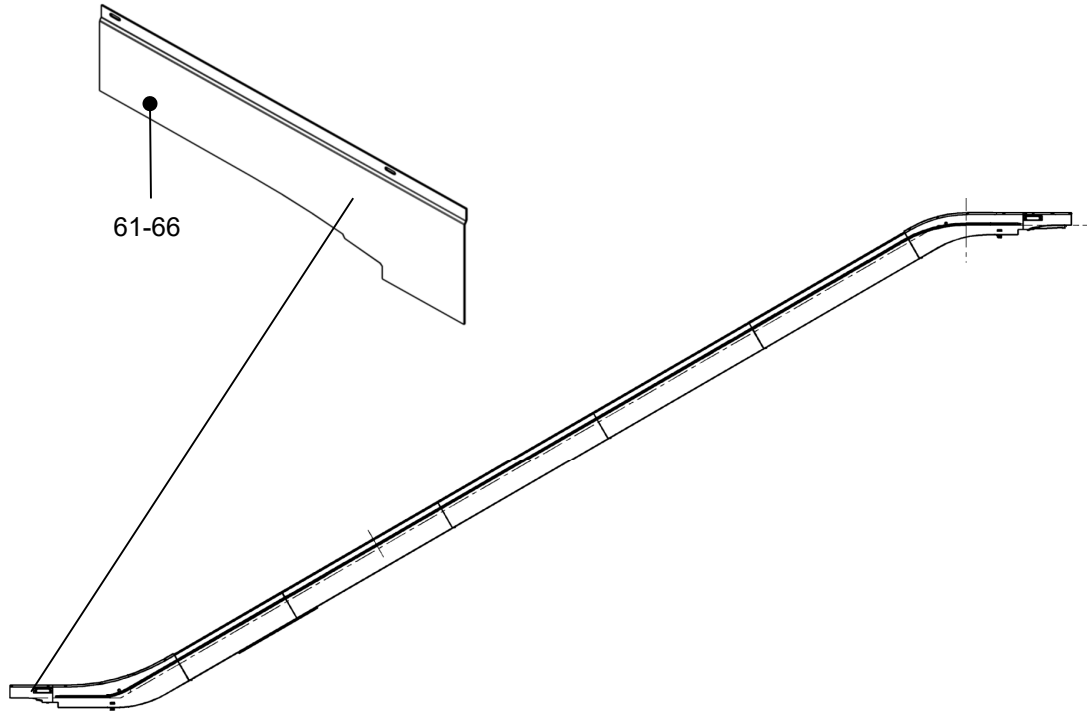
- 508NCE\_ANSI. Surface finish: G2 + low friction powder coating transparent.
- Only for steel floor plate



DAA26228EK		LOWER LANDING = LL	
REF. No.	PART No.	DESCRIPTION	TYPE
55	DAA438VA15	First skirt panel, w/o comb lighting & w/o skirt panel lighting, LL Left side.	2&3 flat steps
56	DAA438VA16	First skirt panel, w/o comb lighting & w/o skirt panel lighting, LL Right side.	
57	DAA438VA19	First skirt panel, w/o comb lighting & w/ skirt panel lighting, LL Left side.	
58	DAA438VA20	First skirt panel, w/o comb lighting & w/ skirt panel lighting, LL Right side.	
59	DAA438VA23	First skirt panel, w/ comb lighting & w/o skirt panel lighting, LL Left side.	
60	DAA438VA24	First skirt panel, w/ comb lighting & w/o skirt panel lighting, LL Right side.	

**First skirt panel, for**

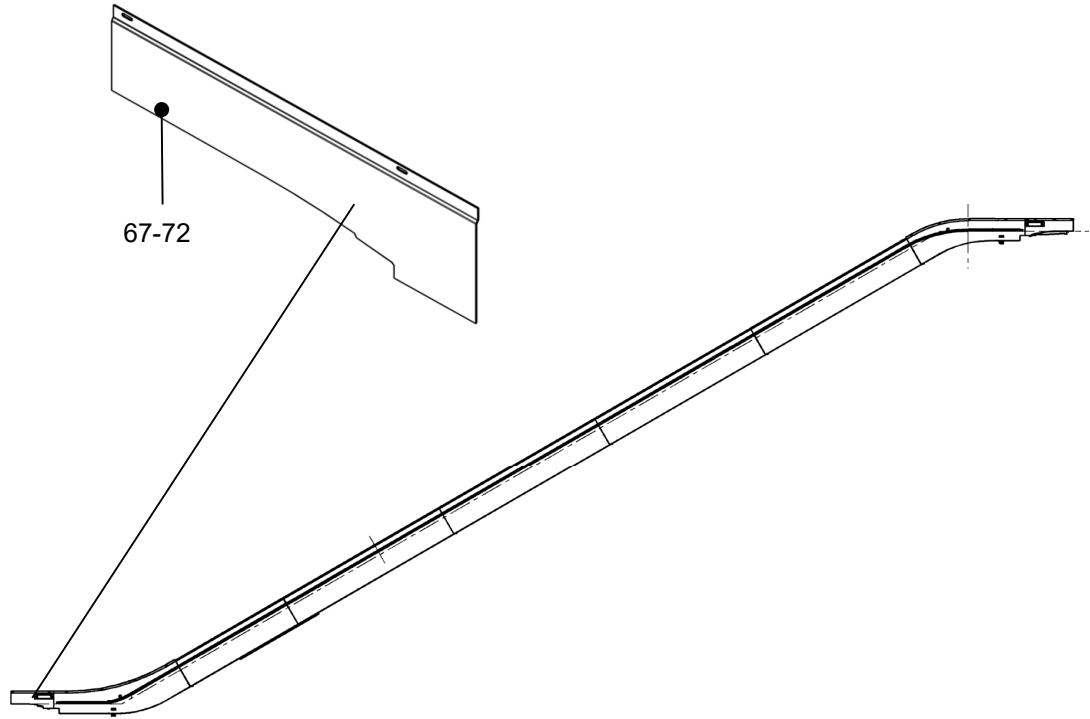
- **512NCE\_ANSI. Surface finish: low friction powder coating black.**
- **Only for steel floor plate**



DAA26228EK		LOWER LANDING = LL	
REF. No.	PART No.	DESCRIPTION	TYPE
61	DAA438VA1	First skirt panel, w/o comb lighting & w/o skirt panel lighting, LL Left side.	2&3 flat steps
62	DAA438VA2	First skirt panel, w/o comb lighting & w/o skirt panel lighting, LL Right side.	
63	DAA438VA5	First skirt panel, w/o comb lighting & w/ skirt panel lighting, LL Left side.	
64	DAA438VA6	First skirt panel, w/o comb lighting & w/ skirt panel lighting, LL Right side.	
65	DAA438VA9	First skirt panel, w/ comb lighting & w/o skirt panel lighting, LL Left side.	
66	DAA438VA10	First skirt panel, w/ comb lighting & w/o skirt panel lighting, LL Right side.	

First skirt panel, for

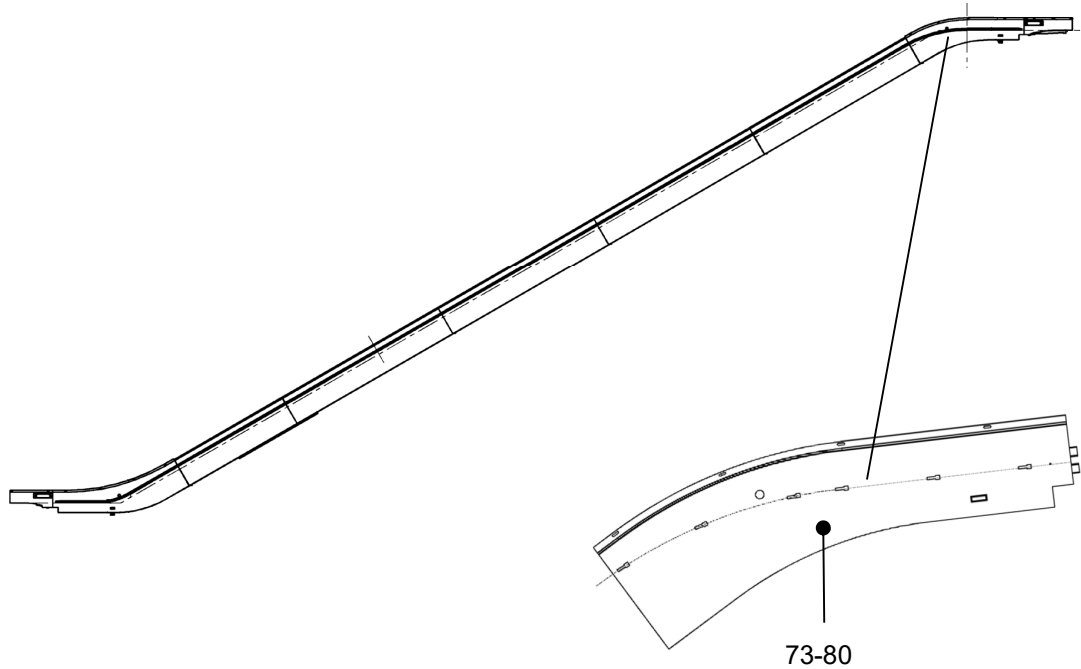
- 512NCE\_ANSI. Surface finish: G2 + low friction powder coating transparent.
- Only for steel floor plate



DAA26228EK		LOWER LANDING = LL	
REF. No.	PART No.	DESCRIPTION	TYPE
67	DAA438VA13	First skirt panel, w/o comb lighting & w/o skirt panel lighting, LL Left side.	2&3 flat steps
68	DAA438VA14	First skirt panel, w/o comb lighting & w/o skirt panel lighting, LL Right side.	
69	DAA438VA17	First skirt panel, w/o comb lighting & w/ skirt panel lighting, LL Left side.	
70	DAA438VA18	First skirt panel, w/o comb lighting & w/ skirt panel lighting, LL Right side.	
71	DAA438VA21	First skirt panel, w/ comb lighting & w/o skirt panel lighting, LL Left side.	
72	DAA438VA22	First skirt panel, w/ comb lighting & w/o skirt panel lighting, LL Right side.	

Curve panel, for

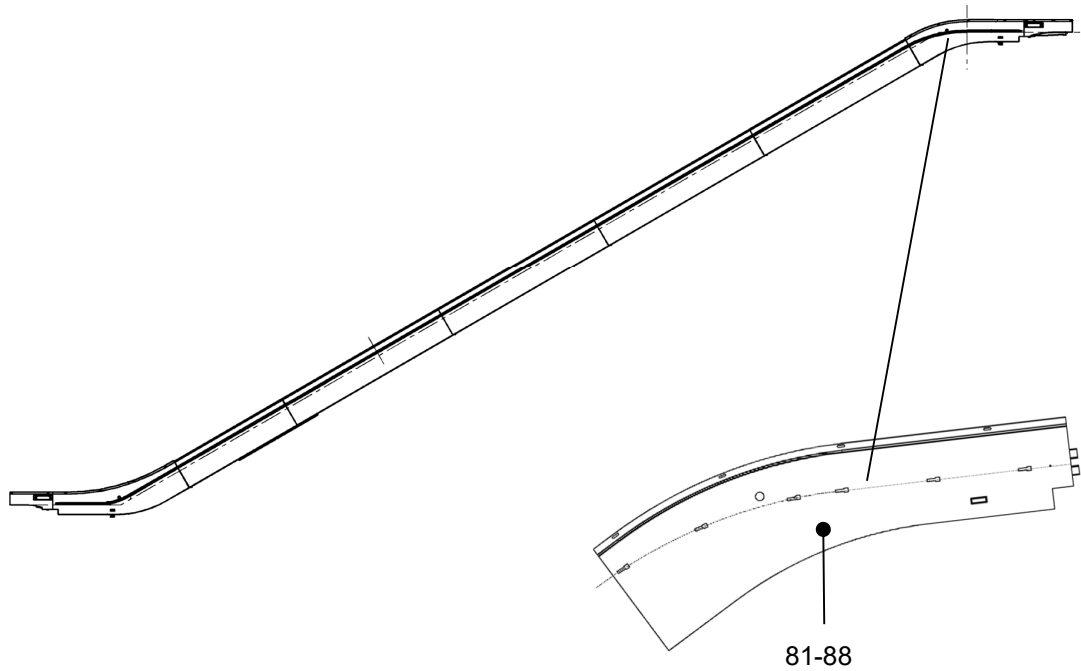
- 508NCE\_ANSI. Surface finish: low friction powder coating black.
- With black or silver brush holder.
- With ETA PLUS



DAA26228EK		UPPER LANDING = UL	
REF. No.	PART No.	DESCRIPTION	TYPE
73	DAA438TK1	Curve panel, w/o skirt panel lighting, UL, Left side.	2 flat steps
74	DAA438TK2	Curve panel, w/o skirt panel lighting, UL, Right side	
75	DAA438TK3	Curve panel, w/o skirt panel lighting, UL, Left side.	3 flat steps
76	DAA438TK4	Curve panel, w/o skirt panel lighting, UL, Right side.	
77	DAA438TK5	Curve panel, w/ skirt panel lighting, UL, Left side.	2 flat steps
78	DAA438TK6	Curve panel, w/ skirt panel lighting, UL, Right side	
79	DAA438TK7	Curve panel, w/ skirt panel lighting, UL, Left side.	3 flat steps
80	DAA438TK8	Curve panel, w/ skirt panel lighting, UL, Right side.	

Curve panel, for

- 508NCE\_ANSI. Surface finish: low friction powder coating black.
- With black or silver brush holder.
- Without ETA PLUS

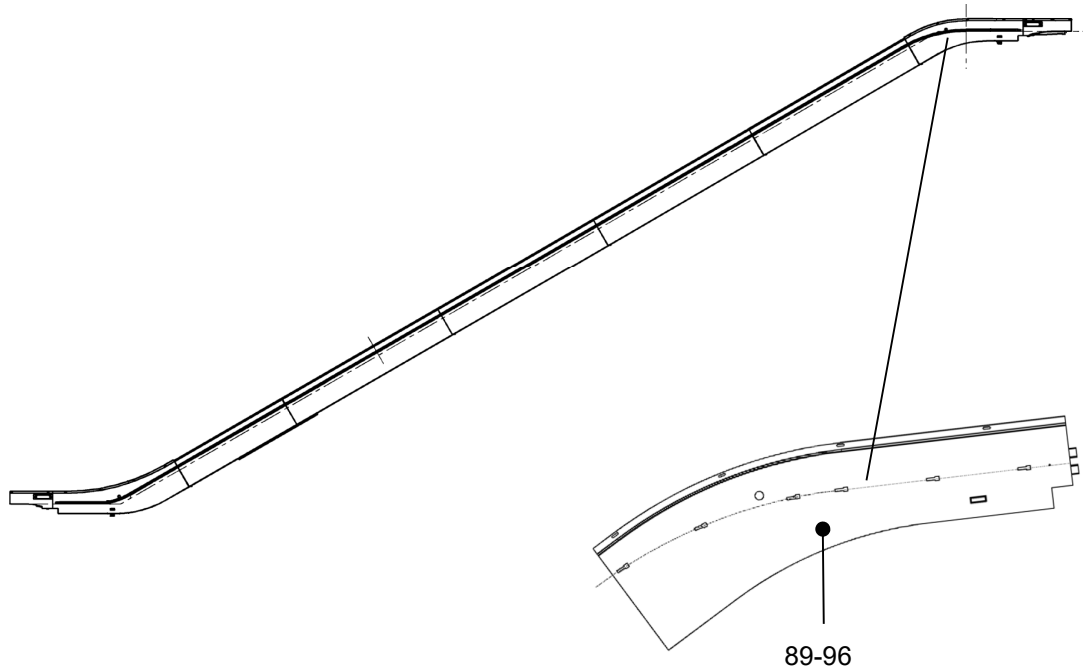


DAA26228EK		UPPER LANDING = UL	
REF. No.	PART No.	DESCRIPTION	TYPE
81	DAA438TK33	Curve panel, w/o skirt panel lighting, UL, Left side.	2 flat steps
82	DAA438TK34	Curve panel, w/o skirt panel lighting, UL, Right side	
83	DAA438TK35	Curve panel, w/o skirt panel lighting, UL, Left side.	3 flat steps
84	DAA438TK36	Curve panel, w/o skirt panel lighting, UL, Right side.	
85	DAA438TK37	Curve panel, w/ skirt panel lighting, UL, Left side.	2 flat steps
86	DAA438TK38	Curve panel, w/ skirt panel lighting, UL, Right side	
87	DAA438TK39	Curve panel, w/ skirt panel lighting, UL, Left side.	3 flat steps
88	DAA438TK40	Curve panel, w/ skirt panel lighting, UL, Right side.	



Curve panel, for

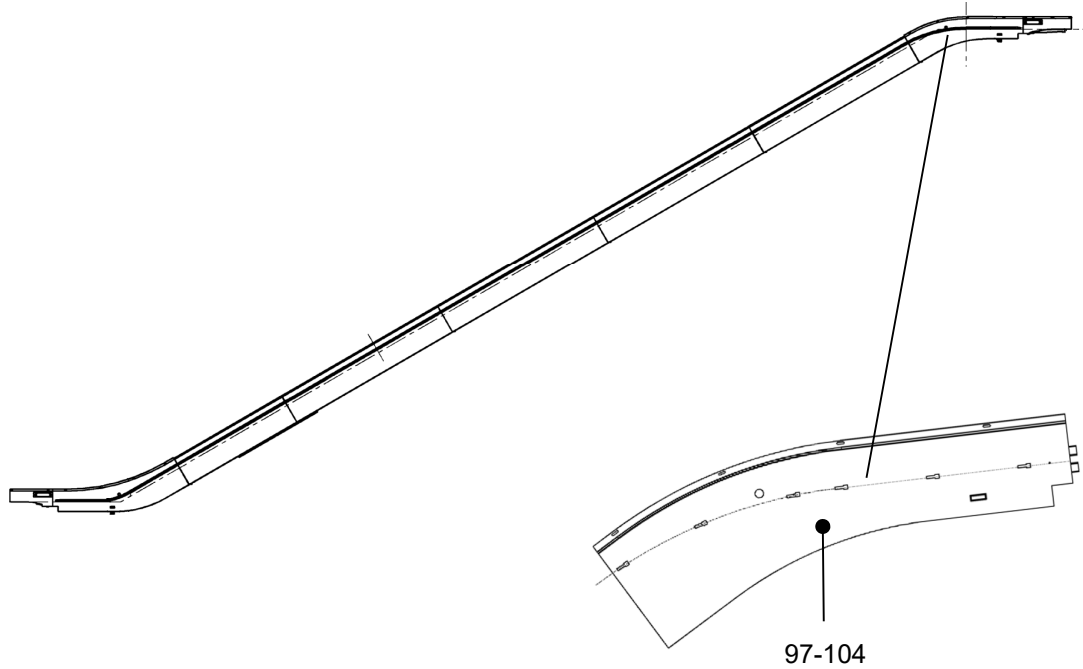
- 508NCE\_ANSI. Surface finish: G2 + low friction powder coating transparent.
- With black or silver brush holder.
- With ETA PLUS



DAA26228EK		UPPER LANDING = UL	
REF. No.	PART No.	DESCRIPTION	TYPE
89	DAA438TK9	Curve panel, w/o skirt panel lighting, UL, Left side.	2 flat steps
90	DAA438TK10	Curve panel, w/o skirt panel lighting, UL, Right side.	
91	DAA438TK11	Curve panel, w/o skirt panel lighting, UL, Left side.	3 flat steps
92	DAA438TK12	Curve panel, w/o skirt panel lighting, UL, Right side.	
93	DAA438TK13	Curve panel, w/ skirt panel lighting, UL, Left side.	2 flat steps
94	DAA438TK14	Curve panel, w/ skirt panel lighting, UL, Right side.	
95	DAA438TK15	Curve panel, w/ skirt panel lighting, UL, Left side.	3 flat steps
96	DAA438TK16	Curve panel, w/ skirt panel lighting, UL, Right side.	

Curve panel, for

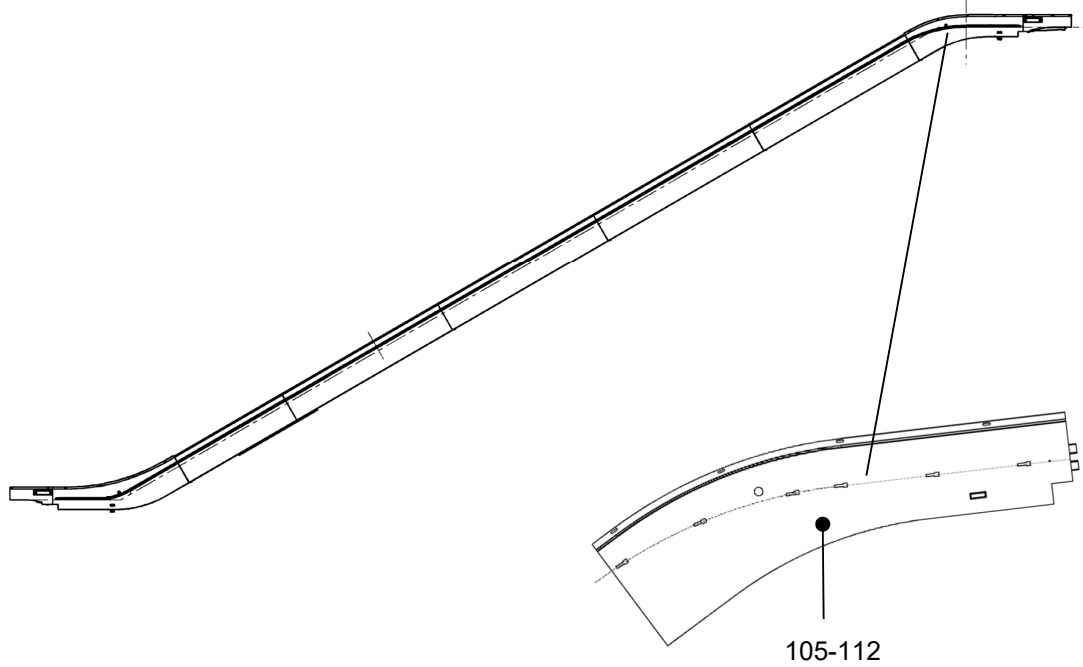
- 508NCE\_ANSI. Surface finish: G2 + low friction powder coating transparent.
- With black or silver brush holder.
- Without ETA PLUS



DAA26228EK		UPPER LANDING = UL	
REF. No.	PART No.	DESCRIPTION	TYPE
97	DAA438TK41	Curve panel, w/o skirt panel lighting, UL, Left side.	2 flat steps
98	DAA438TK42	Curve panel, w/o skirt panel lighting, UL, Right side	
99	DAA438TK43	Curve panel, w/o skirt panel lighting, UL, Left side.	3 flat steps
100	DAA438TK44	Curve panel, w/o skirt panel lighting, UL, Right side.	
101	DAA438TK45	Curve panel, w/ skirt panel lighting, UL, Left side.	2 flat steps
102	DAA438TK46	Curve panel, w/ skirt panel lighting, UL, Right side	
103	DAA438TK47	Curve panel, w/ skirt panel lighting, UL, Left side.	3 flat steps
104	DAA438TK48	Curve panel, w/ skirt panel lighting, UL, Right side.	

Curve panel, for

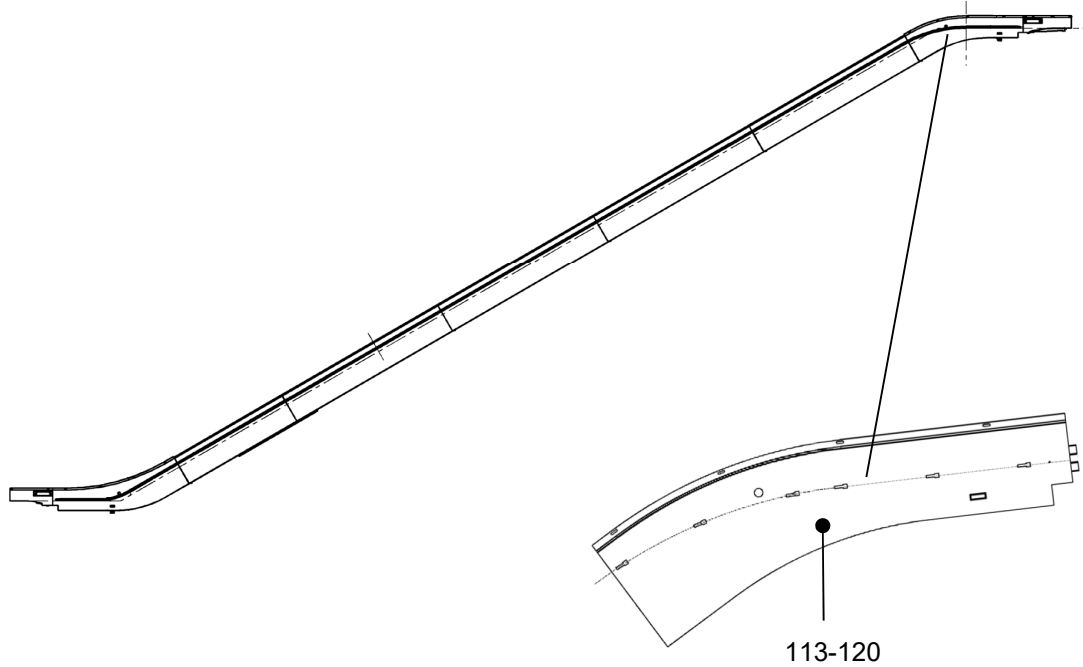
- 512NCE\_ANSI. Surface finish: low friction powder coating black.
- With black or silver brush holder.
- With ETA PLUS



DAA26228EK		UPPER LANDING = UL	
REF. No.	PART No.	DESCRIPTION	TYPE
105	DAA438TK17	Curve panel, w/o skirt panel lighting, UL, Left side.	2 flat steps
106	DAA438TK18	Curve panel, w/o skirt panel lighting, UL, Right side	
107	DAA438TK19	Curve panel, w/o skirt panel lighting, UL, Left side.	3 flat steps
108	DAA438TK20	Curve panel, w/o skirt panel lighting, UL, Right side.	
109	DAA438TK21	Curve panel, w/ skirt panel lighting, UL, Left side.	2 flat steps
110	DAA438TK22	Curve panel, w/ skirt panel lighting, UL, Right side	
111	DAA438TK23	Curve panel, w/ skirt panel lighting, UL, Left side.	3 flat steps
112	DAA438TK24	Curve panel, w/ skirt panel lighting, UL, Right side.	

Curve panel, for

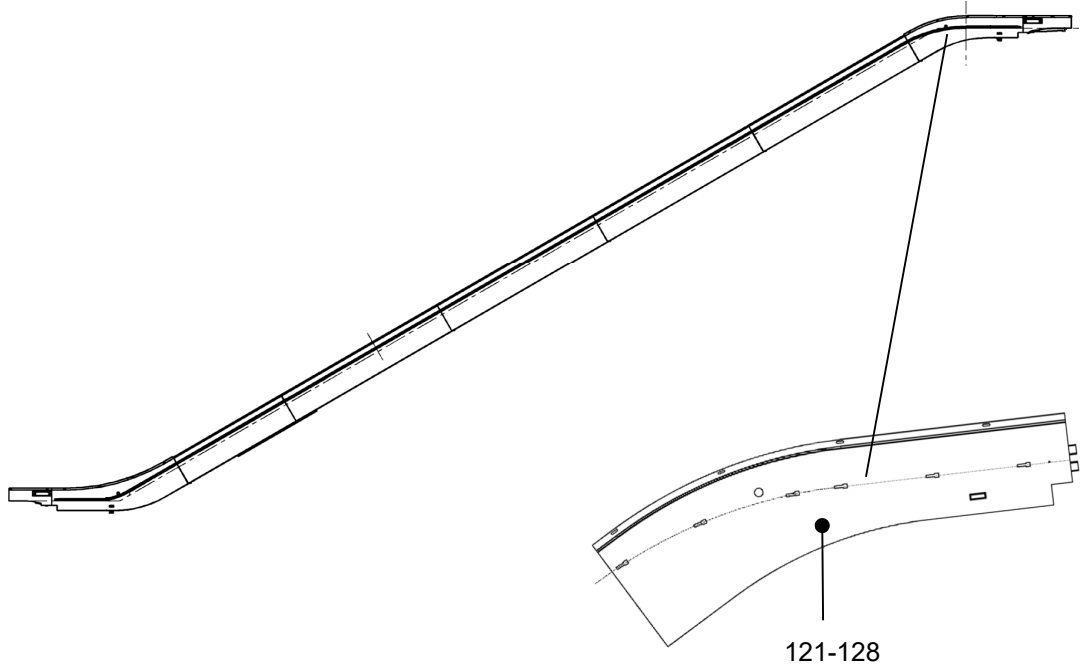
- 512NCE\_ANSI. Surface finish: low friction powder coating black.
- With black or silver brush holder.
- Without ETA PLUS



DAA26228EK		UPPER LANDING = UL	
REF. No.	PART No.	DESCRIPTION	TYPE
113	DAA438TK49	Curve panel, w/o skirt panel lighting, UL, Left side.	2 flat steps
114	DAA438TK50	Curve panel, w/o skirt panel lighting, UL, Right side	
115	DAA438TK51	Curve panel, w/o skirt panel lighting, UL, Left side.	3 flat steps
116	DAA438TK52	Curve panel, w/o skirt panel lighting, UL, Right side.	
117	DAA438TK53	Curve panel, w/ skirt panel lighting, UL, Left side.	2 flat steps
118	DAA438TK54	Curve panel, w/ skirt panel lighting, UL, Right side	
119	DAA438TK55	Curve panel, w/ skirt panel lighting, UL, Left side.	3 flat steps
120	DAA438TK56	Curve panel, w/ skirt panel lighting, UL, Right side.	

Curve panel, for

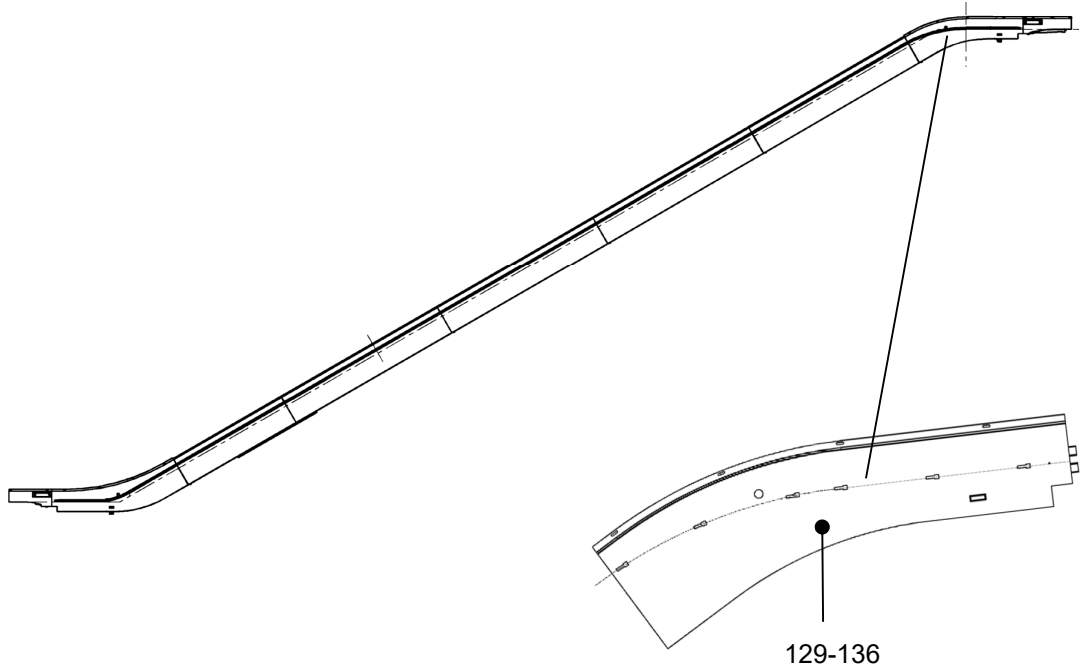
- 512NCE\_ANSI. Surface finish: G2 + low friction powder coating transparent.
- With black or silver brush holder.
- With ETA PLUS



DAA26228EK		UPPER LANDING = UL	
REF. No.	PART No.	DESCRIPTION	TYPE
121	DAA438TK25	Curve panel, w/o skirt panel lighting, UL, Left side.	2 flat steps
122	DAA438TK26	Curve panel, w/o skirt panel lighting, UL, Right side	
123	DAA438TK27	Curve panel, w/o skirt panel lighting, UL, Left side.	3 flat steps
124	DAA438TK28	Curve panel, w/o skirt panel lighting, UL, Right side.	
125	DAA438TK29	Curve panel, w/ skirt panel lighting, UL, Left side.	2 flat steps
126	DAA438TK30	Curve panel, w/ skirt panel lighting, UL, Right side	
127	DAA438TK31	Curve panel, w/ skirt panel lighting, UL, Left side.	3 flat steps
128	DAA438TK32	Curve panel, w/ skirt panel lighting, UL, Right side.	

Curve panel, for

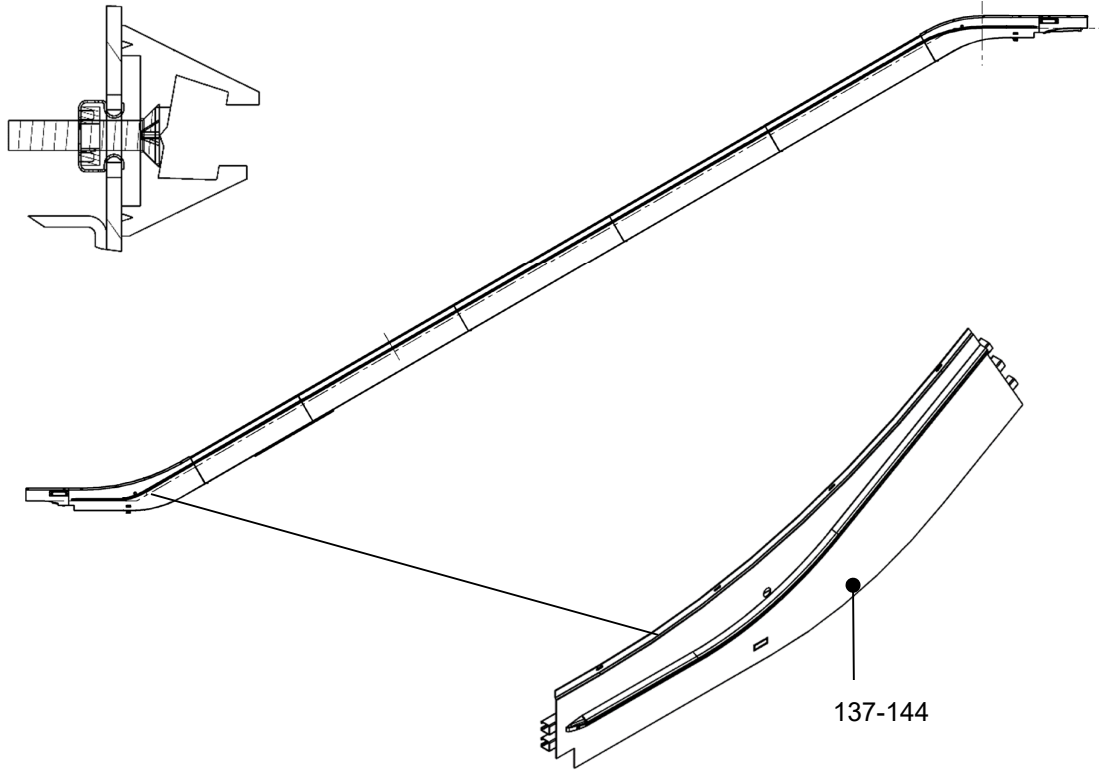
- 512NCE\_ANSI. Surface finish: G2 + low friction powder coating transparent.
- With black or silver brush holder.
- Without ETA PLUS



DAA26228EK		UPPER LANDING = UL	
REF. No.	PART No.	DESCRIPTION	TYPE
129	DAA438TK57	Curve panel, w/o skirt panel lighting, UL, Left side.	2 flat steps
130	DAA438TK58	Curve panel, w/o skirt panel lighting, UL, Right side	
131	DAA438TK59	Curve panel, w/o skirt panel lighting, UL, Left side.	3 flat steps
132	DAA438TK60	Curve panel, w/o skirt panel lighting, UL, Right side.	
133	DAA438TK61	Curve panel, w/ skirt panel lighting, UL, Left side.	2 flat steps
134	DAA438TK62	Curve panel, w/ skirt panel lighting, UL, Right side	
135	DAA438TK63	Curve panel, w/ skirt panel lighting, UL, Left side.	3 flat steps
136	DAA438TK64	Curve panel, w/ skirt panel lighting, UL, Right side.	

Curve panel, for

- 508NCE\_ANSI & 512NCE. Surface finish: low friction powder coating black
- With black brush holder.
- With ETA PLUS.



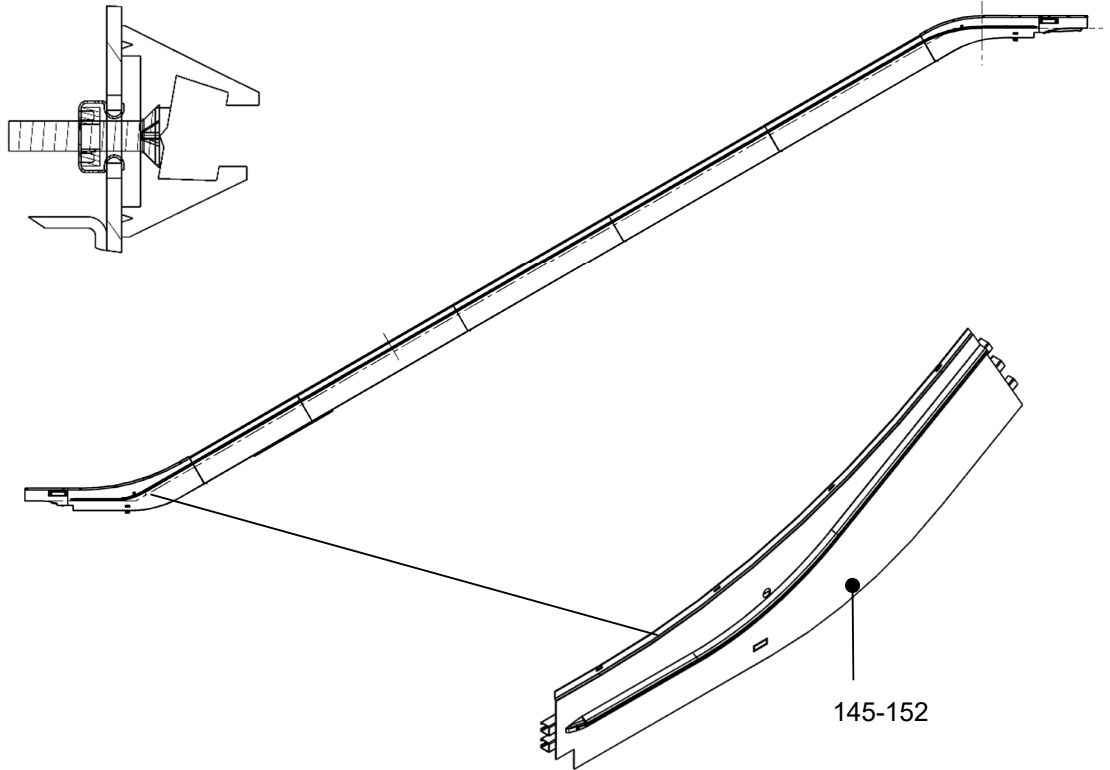
DAA26228EK		LOWER LANDING = LL	
REF. No.	PART No.	DESCRIPTION	TYPE
137	DAA438TL1	Curve panel, w/o skirt panel lighting, LL, Left side.	2 flat steps
138	DAA438TL2	Curve panel, w/o skirt panel lighting, LL, Right side	
139	DAA438TL3	Curve panel, w/o skirt panel lighting, LL, Left side.	3 flat steps
140	DAA438TL4	Curve panel, w/o skirt panel lighting, LL, Right side.	
141	DAA438TL5	Curve panel, w/ skirt panel lighting, LL, Left side.	2 flat steps
142	DAA438TL6	Curve panel, w/ skirt panel lighting, LL, Right side	
143	DAA438TL7	Curve panel, w/ skirt panel lighting, LL, Left side.	3 flat steps
144	DAA438TL8	Curve panel, w/ skirt panel lighting, LL, Right side.	

**508NCE / 512NCE ESCALATOR  
Skirt Panel**

**57-DAA26228EK**

Curve panel, for

- 508NCE\_ANSI & 512NCE. Surface finish: low friction powder coating black
- With black brush holder.
- Without ETA PLUS.

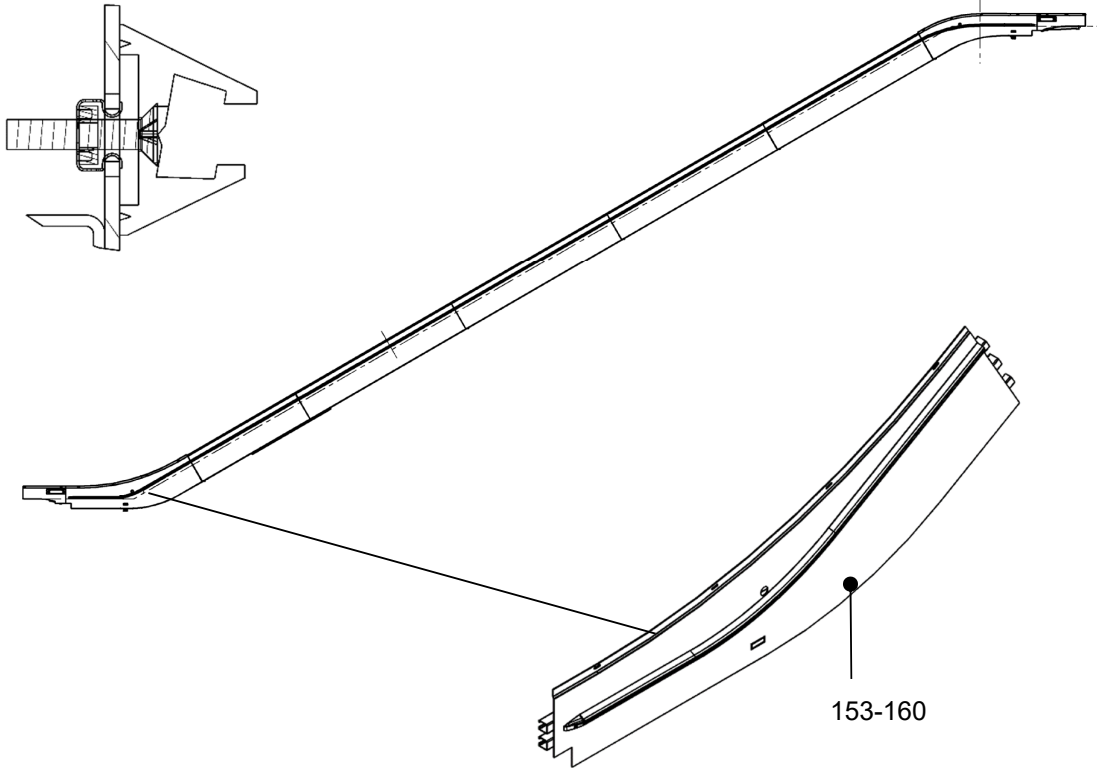


DAA26228EK		LOWER LANDING = LL	
REF. No.	PART No.	DESCRIPTION	TYPE
145	DAA438TL33	Curve panel, w/o skirt panel lighting, LL, Left side.	2 flat steps
146	DAA438TL34	Curve panel, w/o skirt panel lighting, LL, Right side	
147	DAA438TL35	Curve panel, w/o skirt panel lighting, LL, Left side.	3 flat steps
148	DAA438TL36	Curve panel, w/o skirt panel lighting, LL, Right side.	
149	DAA438TL37	Curve panel, w/ skirt panel lighting, LL, Left side.	2 flat steps
150	DAA438TL38	Curve panel, w/ skirt panel lighting, LL, Right side	
151	DAA438TL39	Curve panel, w/ skirt panel lighting, LL, Left side.	3 flat steps
152	DAA438TL40	Curve panel, w/ skirt panel lighting, LL, Right side.	



Curve panel, for

- 508NCE\_ANSI & 512NCE\_ANSI. Surface finish: G2 + low friction powder coating transparent.
- With black brush holder
- With ETA PLUS



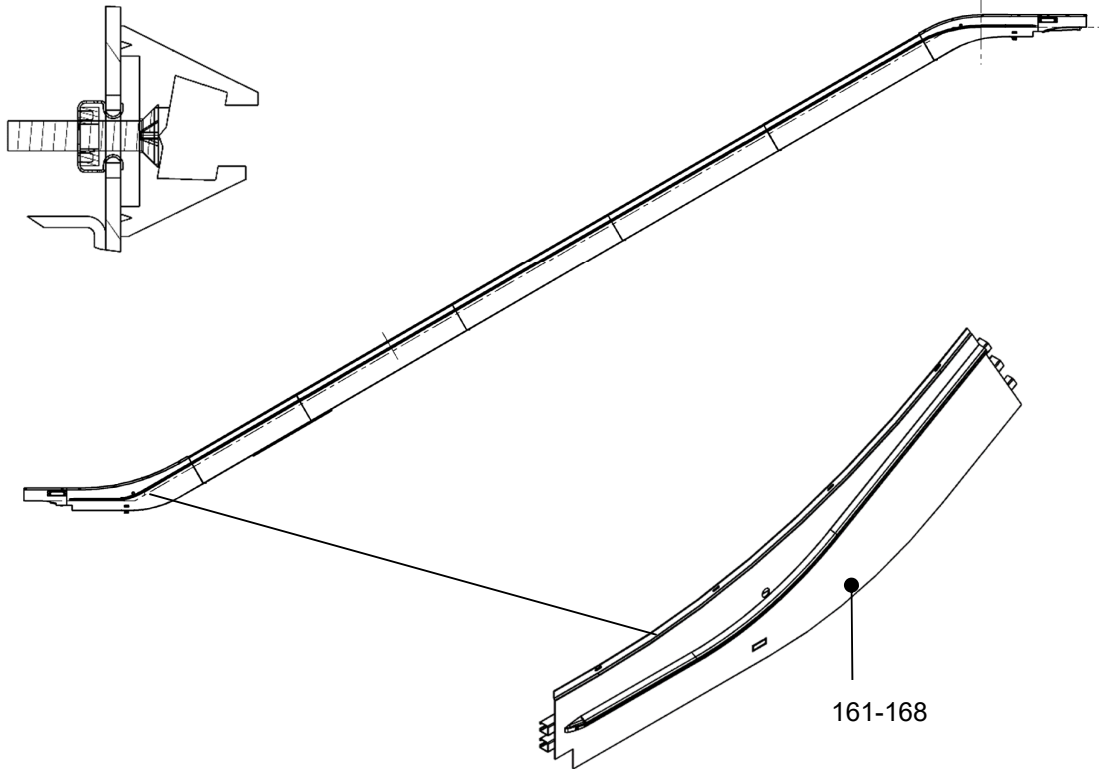
DAA26228EK		LOWER LANDING = LL	
REF. No.	PART No.	DESCRIPTION	TYPE
153	DAA438TL9	Curve panel, w/o skirt panel lighting, LL, Left side.	2 flat steps
154	DAA438TL10	Curve panel, w/o skirt panel lighting, LL, Right side	
155	DAA438TL11	Curve panel, w/o skirt panel lighting, LL, Left side.	3 flat steps
156	DAA438TL12	Curve panel, w/o skirt panel lighting, LL, Right side.	
157	DAA438TL13	Curve panel, w/ skirt panel lighting, LL, Left side.	2 flat steps
158	DAA438TL14	Curve panel, w/ skirt panel lighting, LL, Right side	
159	DAA438TL15	Curve panel, w/ skirt panel lighting, LL, Left side.	3 flat steps
160	DAA438TL16	Curve panel, w/ skirt panel lighting, LL, Right side.	

**508NCE / 512NCE ESCALATOR  
Skirt Panel**

**57-DAA26228EK**

Curve panel, for

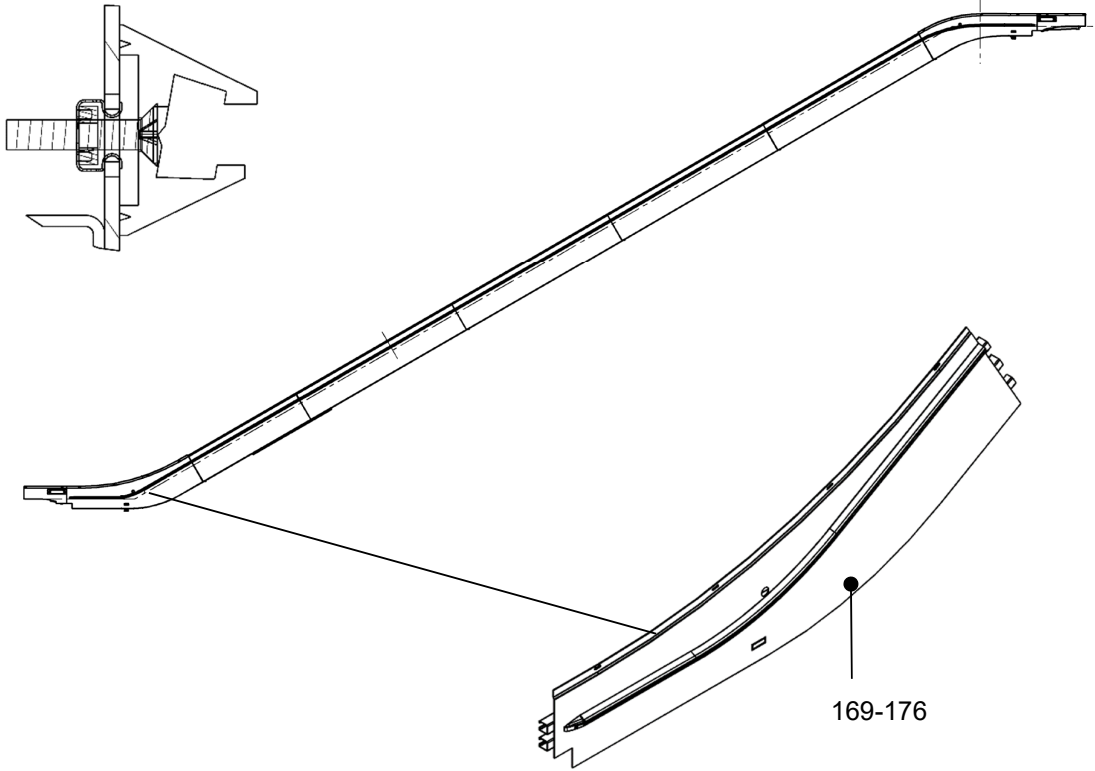
- 508NCE\_ANSI & 512NCE\_ANSI. Surface finish: G2 + low friction powder coating transparent.
- With black brush holder
- Without ETA PLUS



DAA26228EK		LOWER LANDING = LL	
REF. No.	PART No.	DESCRIPTION	TYPE
161	DAA438TL41	Curve panel, w/o skirt panel lighting, LL, Left side.	2 flat steps
162	DAA438TL42	Curve panel, w/o skirt panel lighting, LL, Right side	
163	DAA438TL43	Curve panel, w/o skirt panel lighting, LL, Left side.	3 flat steps
164	DAA438TL44	Curve panel, w/o skirt panel lighting, LL, Right side.	
165	DAA438TL45	Curve panel, w/ skirt panel lighting, LL, Left side.	2 flat steps
166	DAA438TL46	Curve panel, w/ skirt panel lighting, LL, Right side	
167	DAA438TL47	Curve panel, w/ skirt panel lighting, LL, Left side.	3 flat steps
168	DAA438TL48	Curve panel, w/ skirt panel lighting, LL, Right side.	

Curve panel, for

- 508NCE\_ANSI & 512NCE. Surface finish low friction powder coating black
- With silver brush holder.
- With ETA PLUS



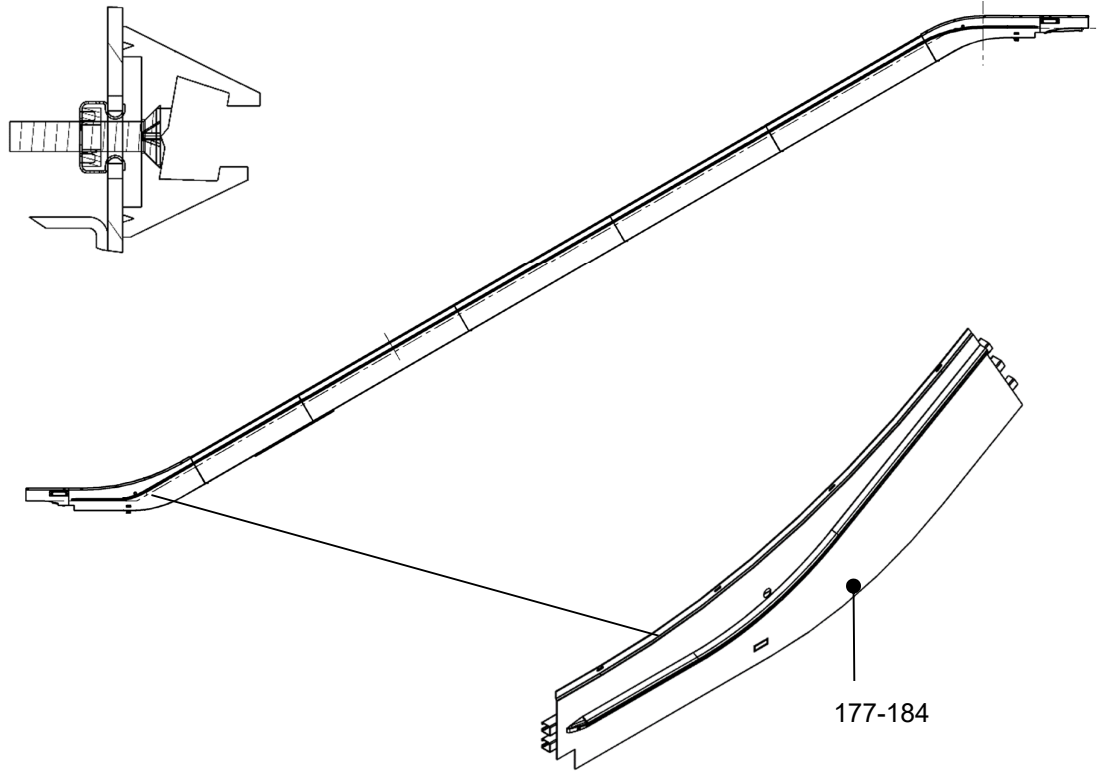
DAA26228EK		LOWER LANDING = LL	
REF. No.	PART No.	DESCRIPTION	TYPE
169	DAA438TL17	Curve panel, w/o skirt panel lighting, LL, Left side.	2 flat steps
170	DAA438TL18	Curve panel, w/o skirt panel lighting, LL, Right side	
171	DAA438TL19	Curve panel, w/o skirt panel lighting, LL, Left side.	3 flat steps
172	DAA438TL20	Curve panel, w/o skirt panel lighting, LL, Right side.	
173	DAA438TL21	Curve panel, w/ skirt panel lighting, LL, Left side.	2 flat steps
174	DAA438TL22	Curve panel, w/ skirt panel lighting, LL, Right side	
175	DAA438TL23	Curve panel, w/ skirt panel lighting, LL, Left side.	3 flat steps
176	DAA438TL24	Curve panel, w/ skirt panel lighting, LL, Right side.	

**508NCE / 512NCE ESCALATOR  
Skirt Panel**

**57-DAA26228EK**

Curve panel, for

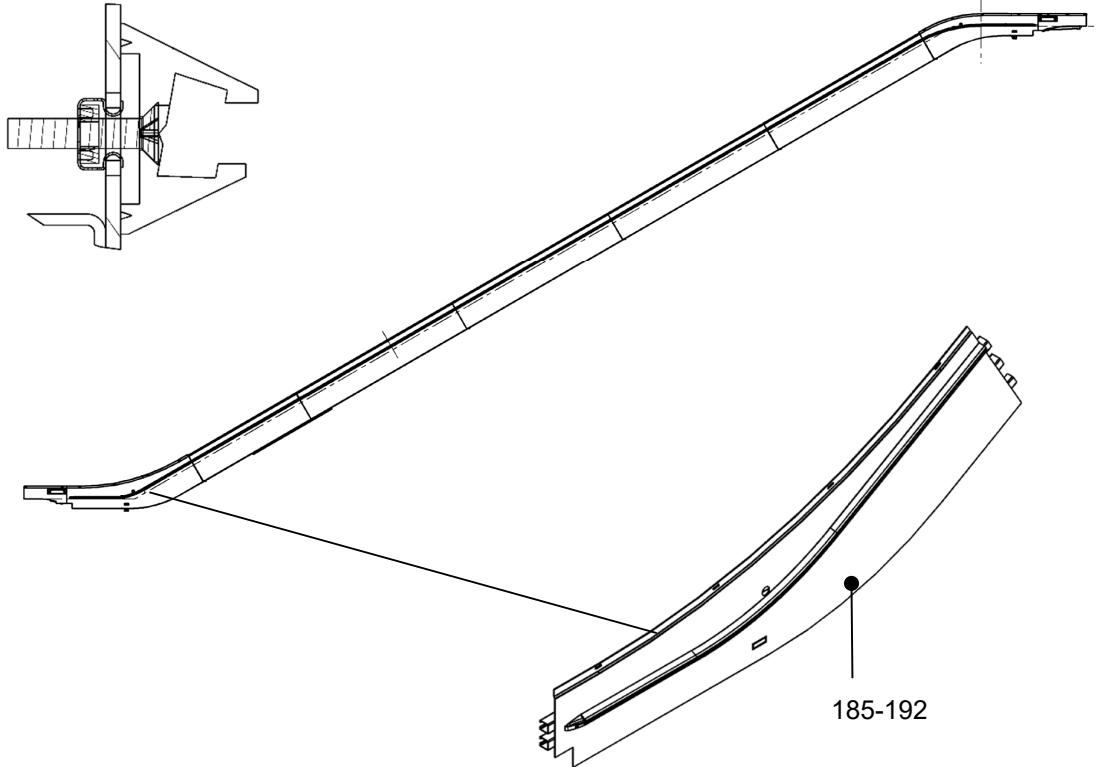
- 508NCE\_ANSI & 512NCE. Surface finish low friction powder coating black
- With silver brush holder.
- Without ETA PLUS



DAA26228EK		LOWER LANDING = LL	
REF. No.	PART No.	DESCRIPTION	TYPE
177	DAA438TL49	Curve panel, w/o skirt panel lighting, LL, Left side.	2 flat steps
178	DAA438TL50	Curve panel, w/o skirt panel lighting, LL, Right side	
179	DAA438TL51	Curve panel, w/o skirt panel lighting, LL, Left side.	3 flat steps
180	DAA438TL52	Curve panel, w/o skirt panel lighting, LL, Right side.	
181	DAA438TL53	Curve panel, w/ skirt panel lighting, LL, Left side.	2 flat steps
182	DAA438TL54	Curve panel, w/ skirt panel lighting, LL, Right side	
183	DAA438TL55	Curve panel, w/ skirt panel lighting, LL, Left side.	3 flat steps
184	DAA438TL56	Curve panel, w/ skirt panel lighting, LL, Right side.	

Curve panel, for

- 508NCE\_ANSI & 512NCE\_ANSI. Surface finish: G2 + low friction powder coating transparent.
- With silver brush holder
- With ETA PLUS



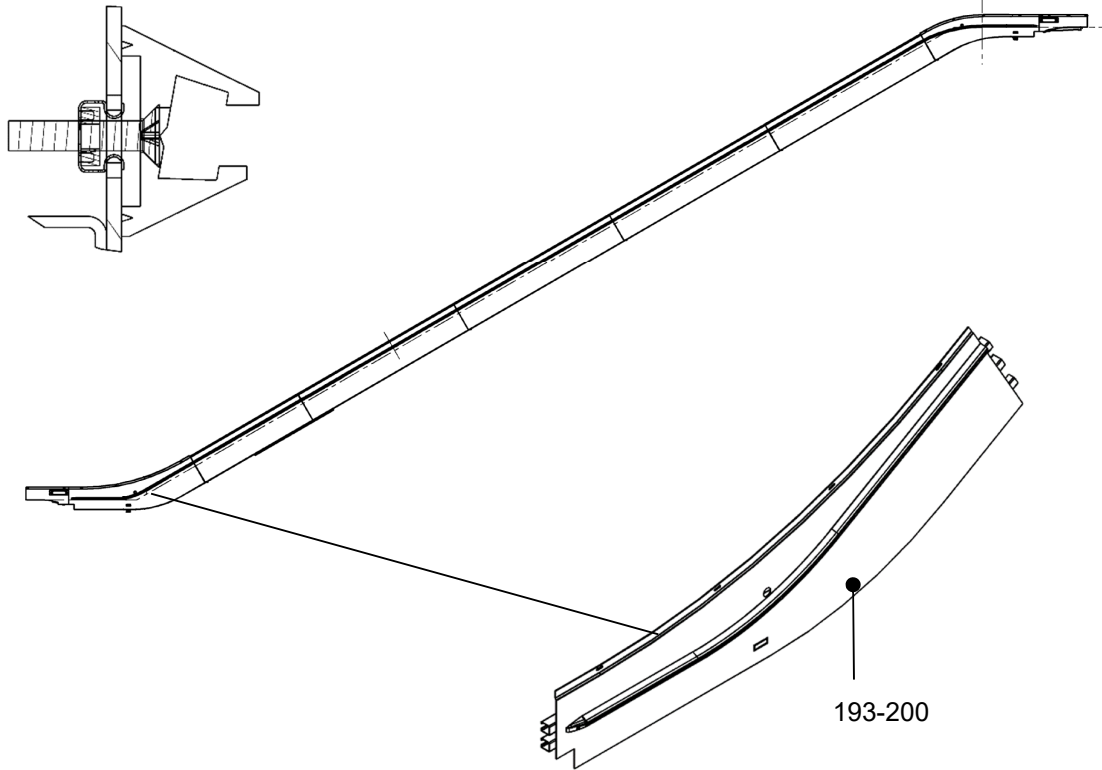
DAA26228EK		LOWER LANDING = LL	
REF. No.	PART No.	DESCRIPTION	TYPE
185	DAA438TL25	Curve panel, w/o skirt panel lighting, LL, Left side.	2 flat steps
186	DAA438TL26	Curve panel, w/o skirt panel lighting, LL, Right side	
187	DAA438TL27	Curve panel, w/o skirt panel lighting, LL, Left side.	3 flat steps
188	DAA438TL28	Curve panel, w/o skirt panel lighting, LL, Right side.	
189	DAA438TL29	Curve panel, w/ skirt panel lighting, LL, Left side.	2 flat steps
190	DAA438TL30	Curve panel, w/ skirt panel lighting, LL, Right side	
191	DAA438TL31	Curve panel, w/ skirt panel lighting, LL, Left side.	3 flat steps
192	DAA438TL32	Curve panel, w/ skirt panel lighting, LL, Right side.	

**508NCE / 512NCE ESCALATOR  
Skirt Panel**

**57-DAA26228EK**

Curve panel, for

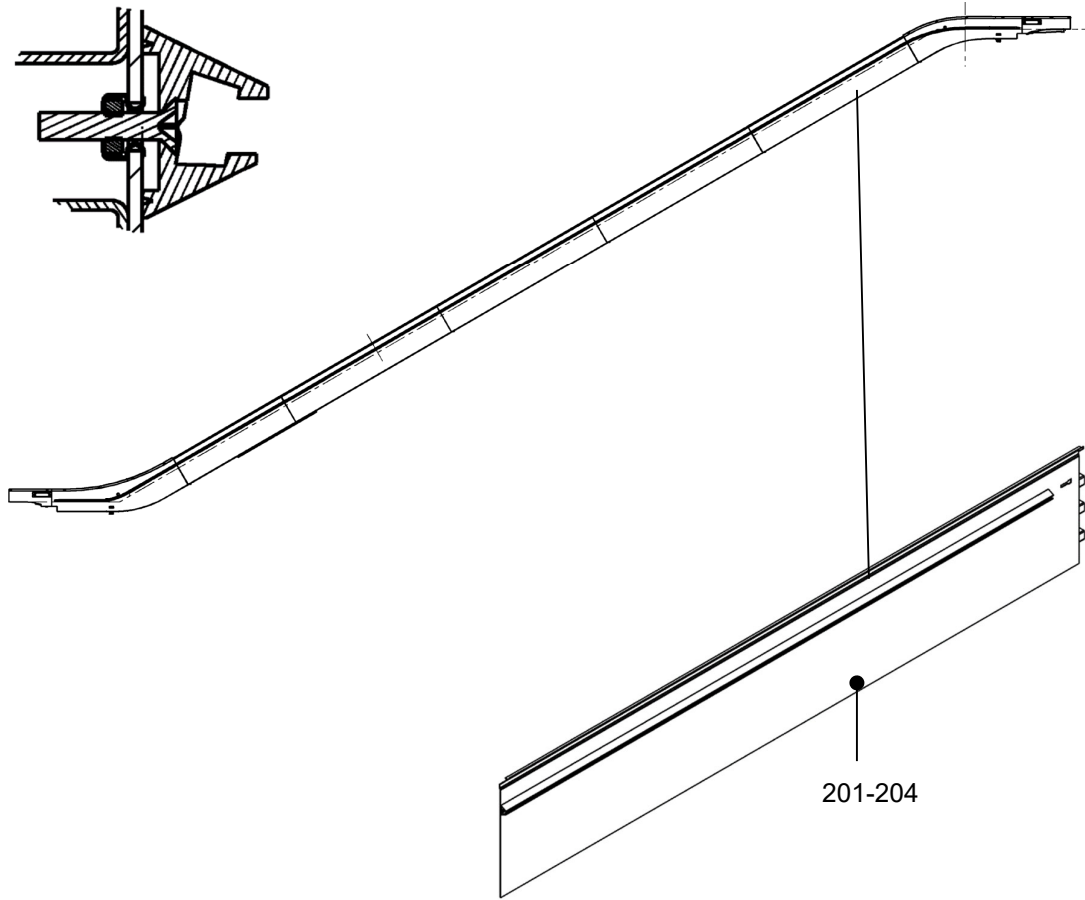
- 508NCE\_ANSI & 512NCE\_ANSI. Surface finish: G2 + low friction powder coating transparent.
- With silver brush holder
- Without ETA PLUS



DAA26228EK		LOWER LANDING = LL	
REF. No.	PART No.	DESCRIPTION	TYPE
193	DAA438TL57	Curve panel, w/o skirt panel lighting, LL, Left side.	2 flat steps
194	DAA438TL58	Curve panel, w/o skirt panel lighting, LL, Right side	
195	DAA438TL59	Curve panel, w/o skirt panel lighting, LL, Left side.	3 flat steps
196	DAA438TL60	Curve panel, w/o skirt panel lighting, LL, Right side.	
197	DAA438TL61	Curve panel, w/ skirt panel lighting, LL, Left side.	2 flat steps
198	DAA438TL62	Curve panel, w/ skirt panel lighting, LL, Right side	
199	DAA438TL63	Curve panel, w/ skirt panel lighting, LL, Left side.	3 flat steps
200	DAA438TL64	Curve panel, w/ skirt panel lighting, LL, Right side.	

Inclined section skirt panel, for

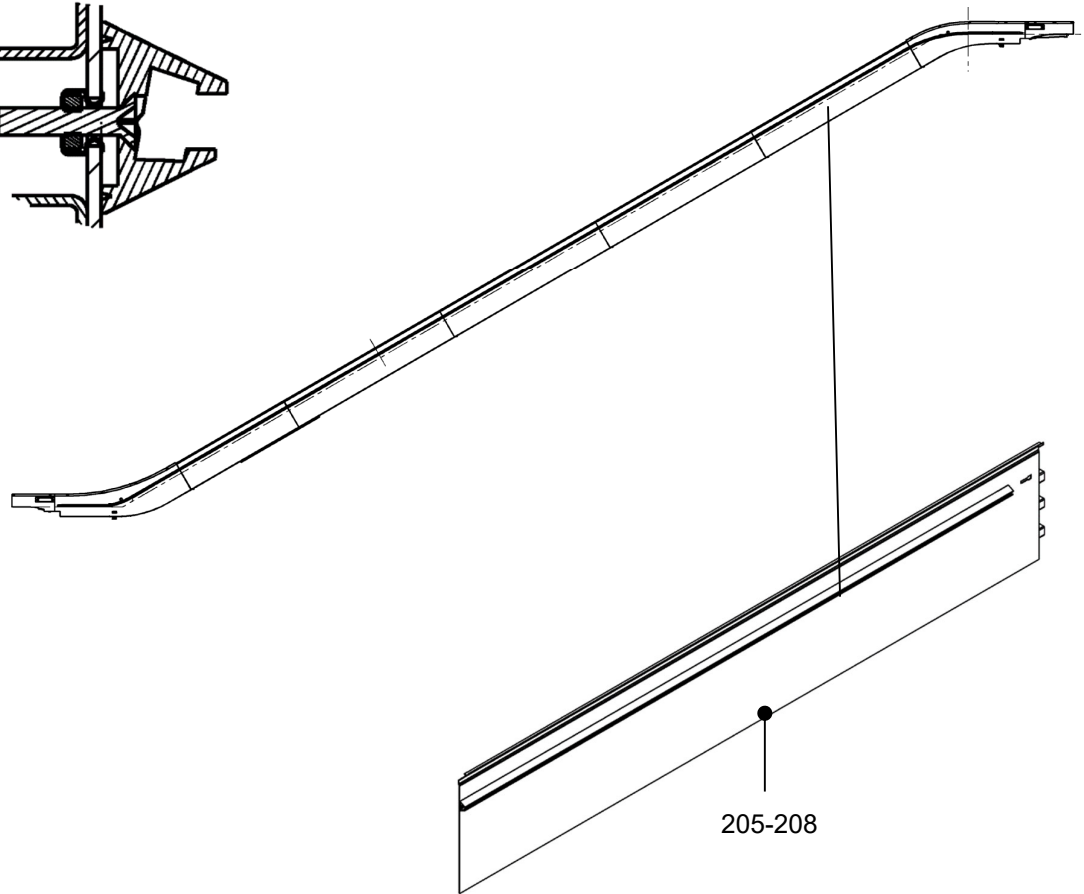
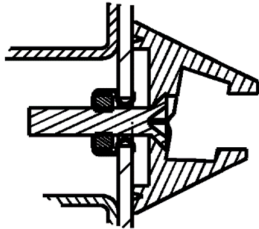
- 508NCE\_ANSI, Surface finish: low friction powder coating black;
- With black brush holder.



DAA26228EK		
REF. No.	PART No.	DESCRIPTION
201	DAA438TM9	Inclined section skirt panel, w/o skirt panel lighting, Left side.
202	DAA438TM10	Inclined section skirt panel, w/o skirt panel lighting, Right side
203	DAA438TM11	Inclined section skirt panel, w/ skirt panel lighting, Left side.
204	DAA438TM12	Inclined section skirt panel, w/ skirt panel lighting, Right side.

Inclined section skirt panel, for

- 508NCE\_ANSI, Surface finish: G2+ low friction powder coating transparent;
- With black brush holder.

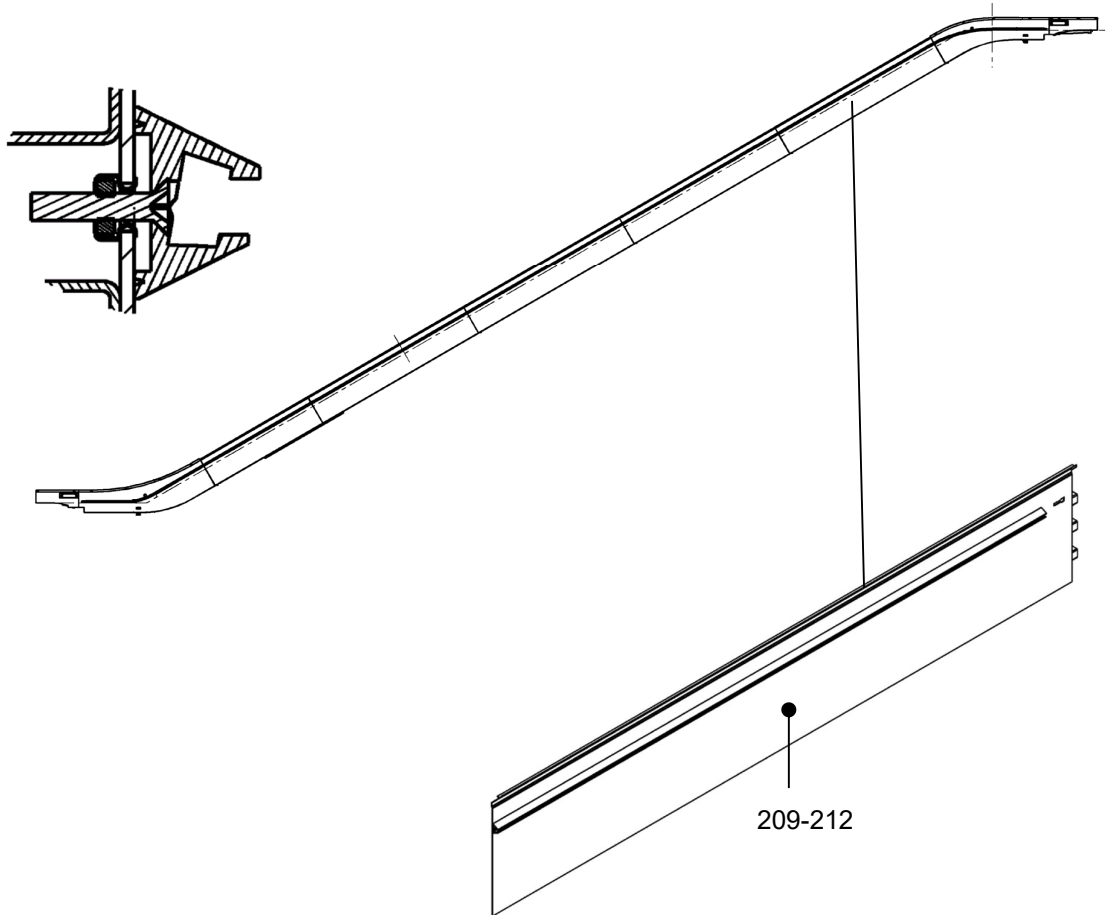


DAA26228EK		
REF. No.	PART No.	DESCRIPTION
205	DAA438TM13	Inclined section skirt panel, w/o skirt panel lighting, Left side.
206	DAA438TM14	Inclined section skirt panel, w/o skirt panel lighting, Right side.
207	DAA438TM15	Inclined section skirt panel, w/ skirt panel lighting, Left side.
208	DAA438TM16	Inclined section skirt panel, w/ skirt panel lighting, Right side.



Inclined section skirt panel, for

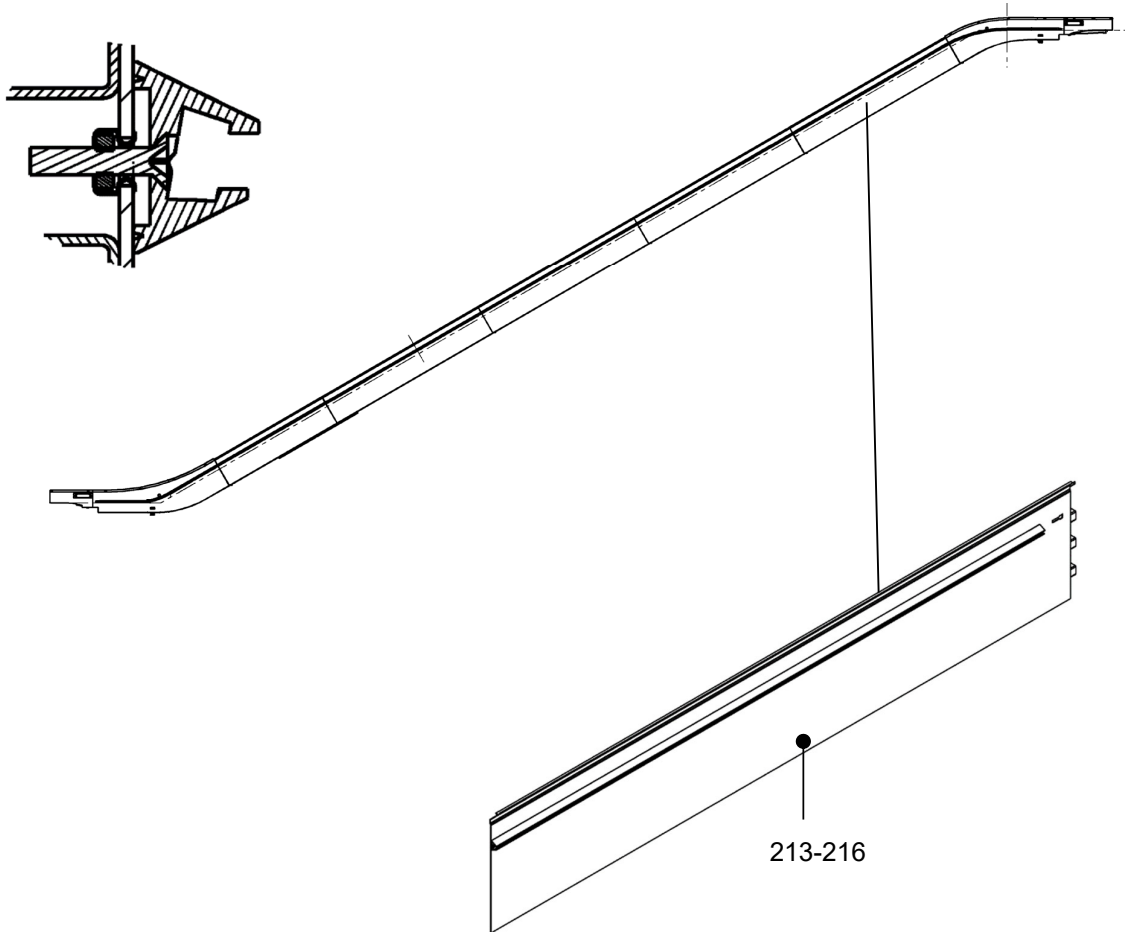
- 512NCE\_ANSI, Surface finish: low friction powder coating black;
- With black brush holder.



DAA26228EK		
REF. No.	PART No.	DESCRIPTION
209	DAA438TM17	Inclined section skirt panel, w/o skirt panel lighting, Left side.
210	DAA438TM18	Inclined section skirt panel, w/o skirt panel lighting, Right side.
211	DAA438TM19	Inclined section skirt panel, w/ skirt panel lighting, Left side.
212	DAA438TM20	Inclined section skirt panel, w/ skirt panel lighting, Right side.

Inclined section skirt panel, for

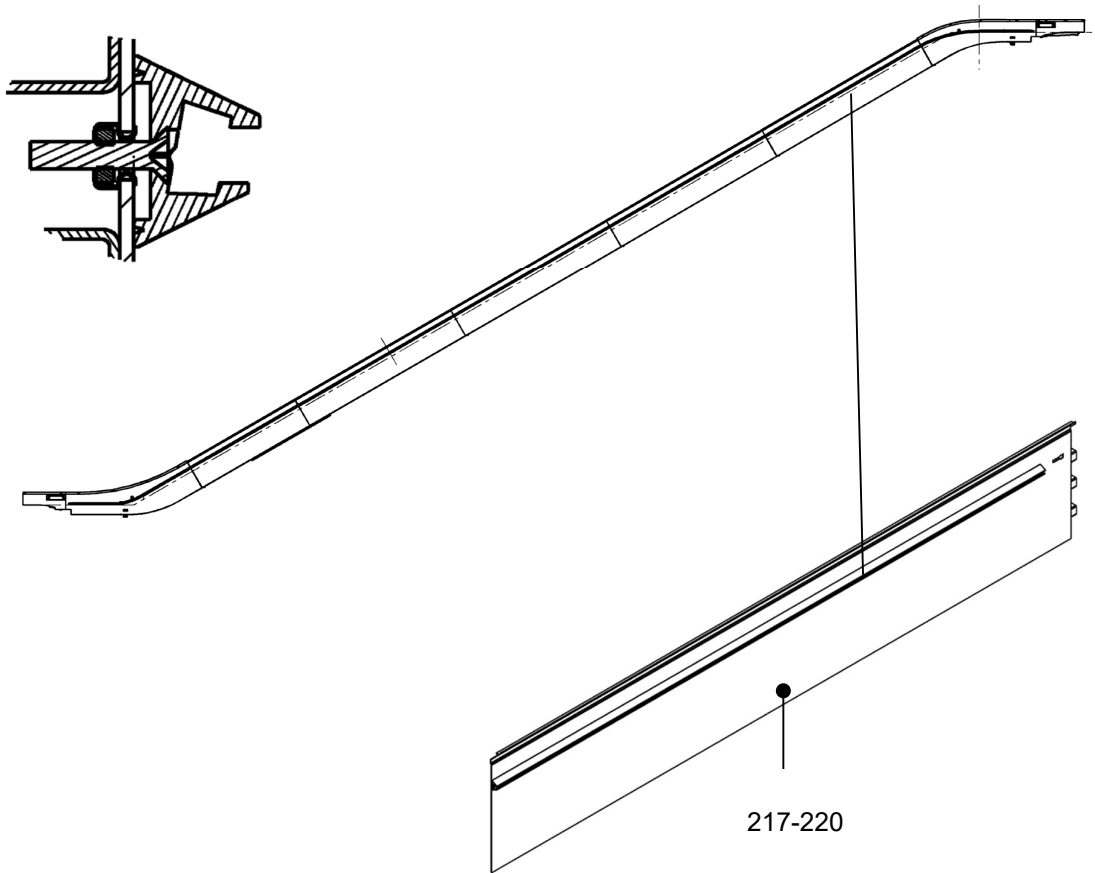
- 512NCE\_ANSI, Surface finish: G2+ low friction powder coating transparent;
- With black brush holder.



DAA26228EK		
REF. No.	PART No.	DESCRIPTION
213	DAA438TM21	Inclined section skirt panel, w/o skirt panel lighting, Left side.
214	DAA438TM22	Inclined section skirt panel, w/o skirt panel lighting, Right side.
215	DAA438TM23	Inclined section skirt panel, w/ skirt panel lighting, Left side.
216	DAA438TM24	Inclined section skirt panel, w/ skirt panel lighting, Right side.

Inclined section skirt panel, for

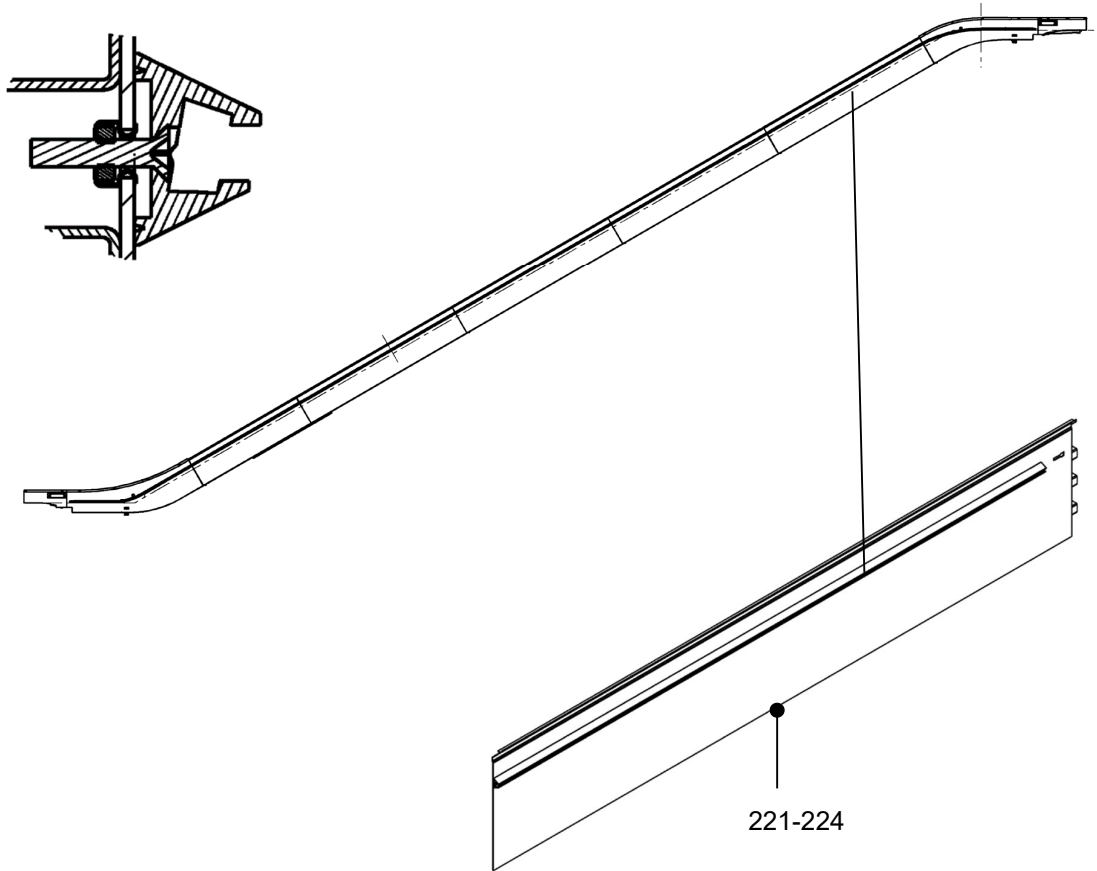
- 508NCE\_ANSI, Surface finish: low friction powder coating black;
- With silver brush holder.



DAA26228EK		
REF. No.	PART No.	DESCRIPTION
217	DAA438TM33	Inclined section skirt panel, w/o skirt panel lighting, Left side.
218	DAA438TM34	Inclined section skirt panel, w/o skirt panel lighting, Right side
219	DAA438TM35	Inclined section skirt panel, w/ skirt panel lighting, Left side.
220	DAA438TM36	Inclined section skirt panel, w/ skirt panel lighting, Right side.

Inclined section skirt panel, for

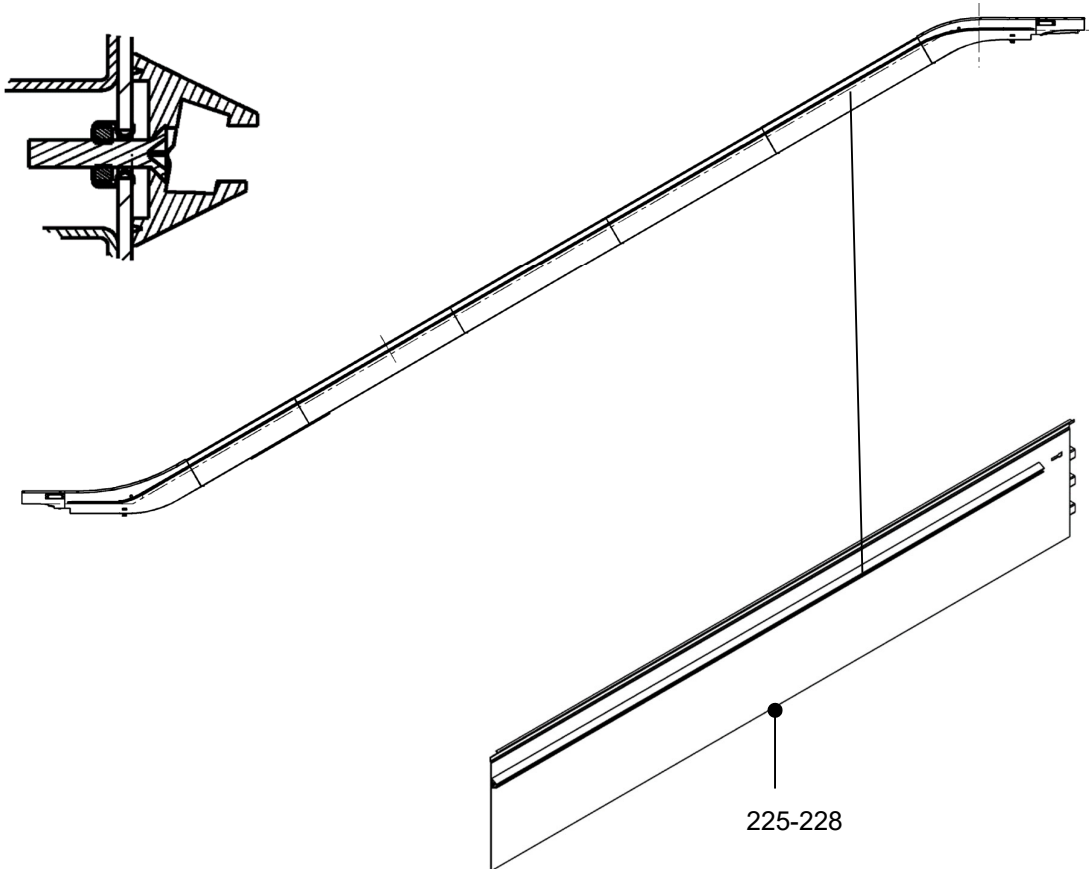
- 508NCE\_ANSI, Surface finish: G2 + low friction powder coating transparent” ;
- With silver brush holder.



REF. No.	PART No.	DESCRIPTION
	DAA26228EK	
221	DAA438TM37	Inclined section skirt panel, w/o skirt panel lighting, Left side.
222	DAA438TM38	Inclined section skirt panel, w/o skirt panel lighting, Right side.
223	DAA438TM39	Inclined section skirt panel, w/ skirt panel lighting, Left side.
224	DAA438TM40	Inclined section skirt panel, w/ skirt panel lighting, Right side.

Inclined section skirt panel, for

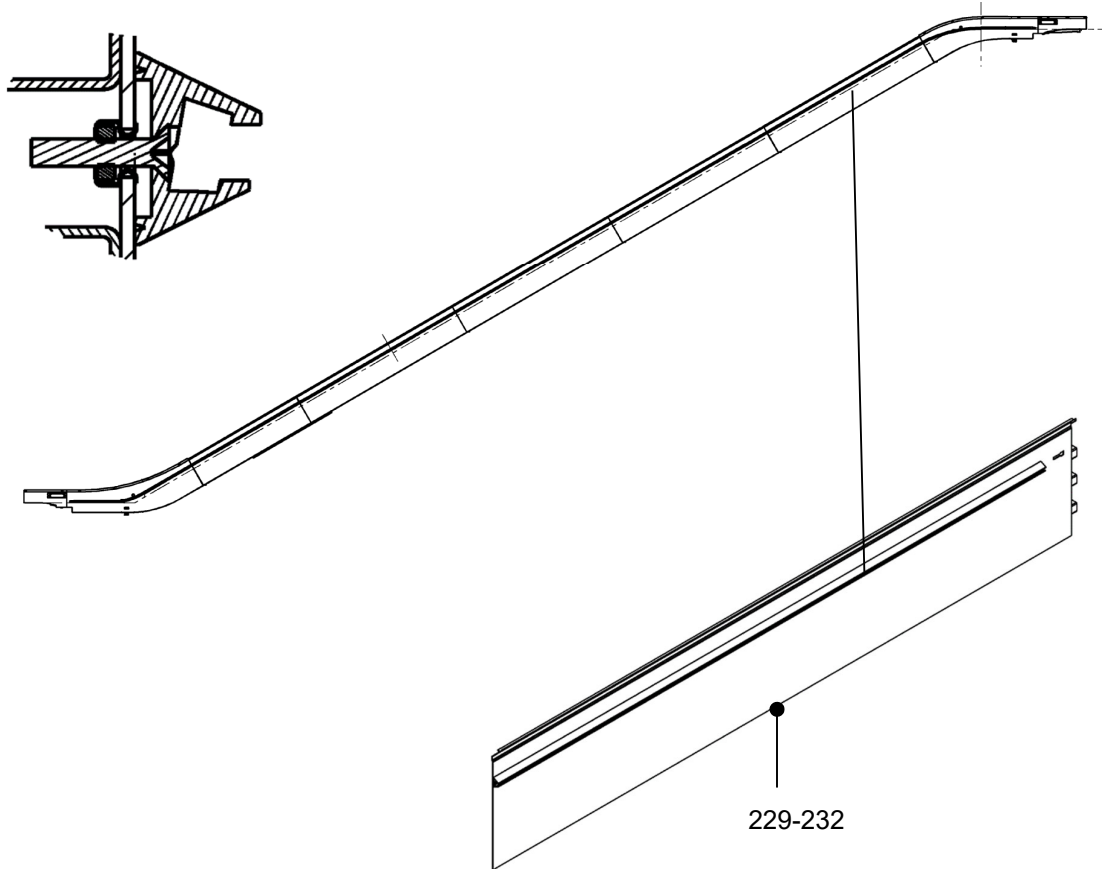
- 512NCE\_ANSI, Surface finish: low friction powder coating black;
- With silver brush holder.



DAA26228EK		
REF. No.	PART No.	DESCRIPTION
225	DAA438TM41	Inclined section skirt panel, w/o skirt panel lighting, Left side.
226	DAA438TM42	Inclined section skirt panel, w/o skirt panel lighting, Right side
227	DAA438TM43	Inclined section skirt panel, w/ skirt panel lighting, Left side.
228	DAA438TM44	Inclined section skirt panel, w/ skirt panel lighting, Right side.

Inclined section skirt panel, for

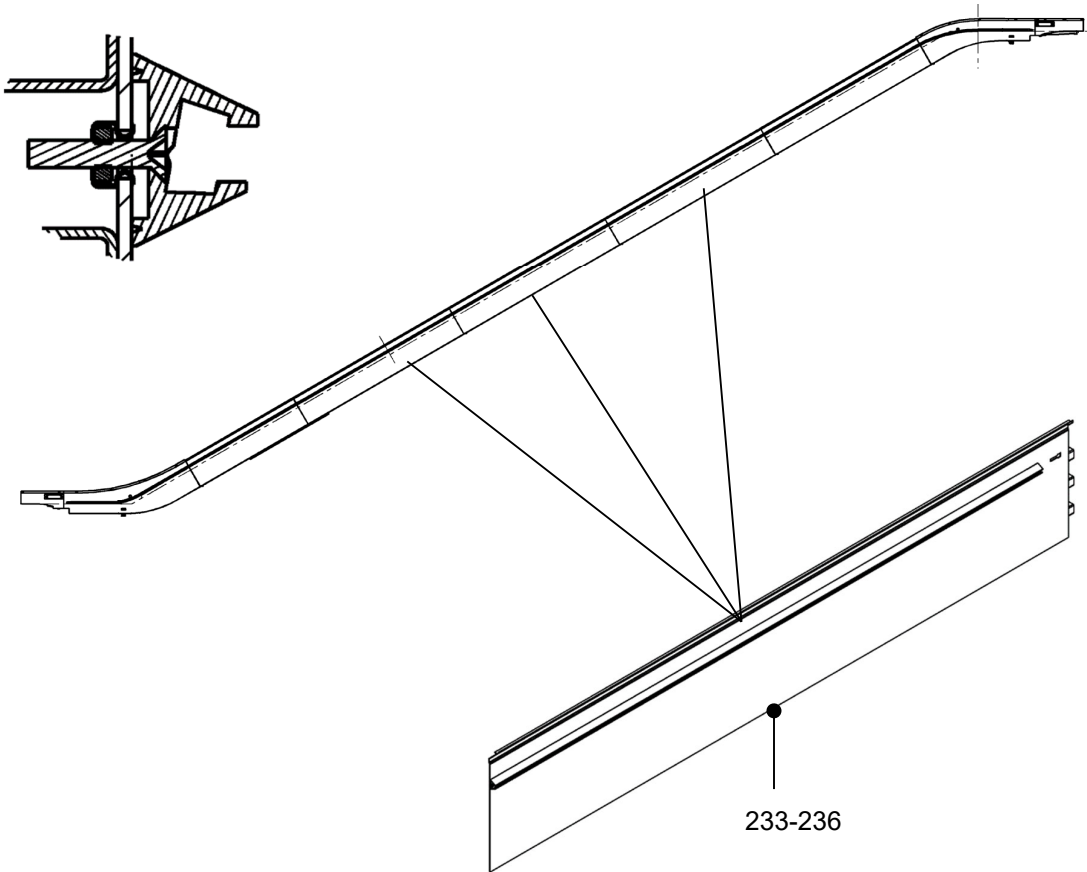
- 512NCE\_ANSI, Surface finish: G2 + low friction powder coating transparent” ;
- With silver brush holder.



DAA26228EK		
REF. No.	PART No.	DESCRIPTION
229	DAA438TM45	Inclined section skirt panel, w/o skirt panel lighting, Left side.
230	DAA438TM46	Inclined section skirt panel, w/o skirt panel lighting, Right side
231	DAA438TM47	Inclined section skirt panel, w/ skirt panel lighting, Left side.
232	DAA438TM48	Inclined section skirt panel, w/ skirt panel lighting, Right side.

Inclined section skirt panel, for

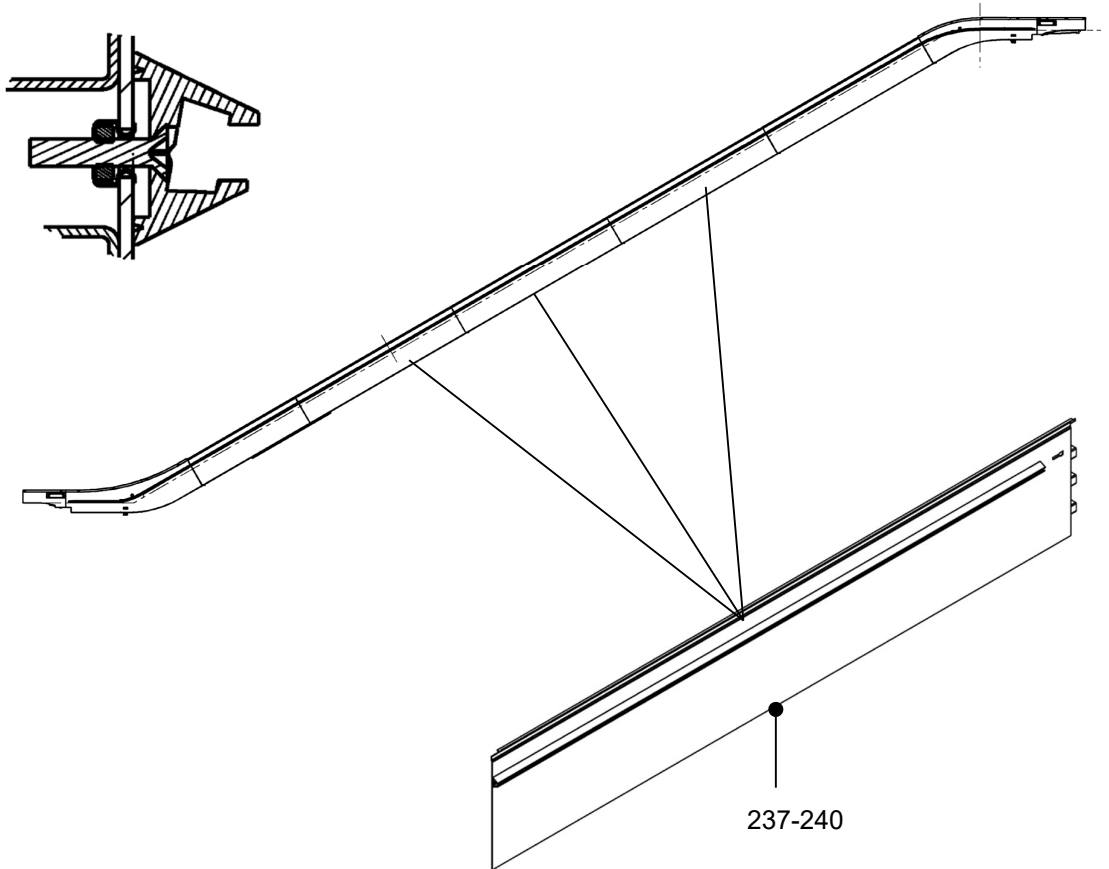
- 508NCE\_ANSI & 512NCE\_ANSI, Surface finish: low friction powder coating black;
- With black brush holder.



DAA26228EK		
REF. No.	PART No.	DESCRIPTION
233	DAA438TM1	Inclined section skirt panel, w/o skirt panel lighting, Left side.
234	DAA438TM2	Inclined section skirt panel, w/o skirt panel lighting, Right side
235	DAA438TM3	Inclined section skirt panel, w/ skirt panel lighting, Left side.
236	DAA438TM4	Inclined section skirt panel, w/ skirt panel lighting, Right side.

Inclined section skirt panel, for

- 508NCE\_ANSI & 512NCE\_ANSI, Surface finish: G2 + low friction powder coating transparent;
- With black brush holder.

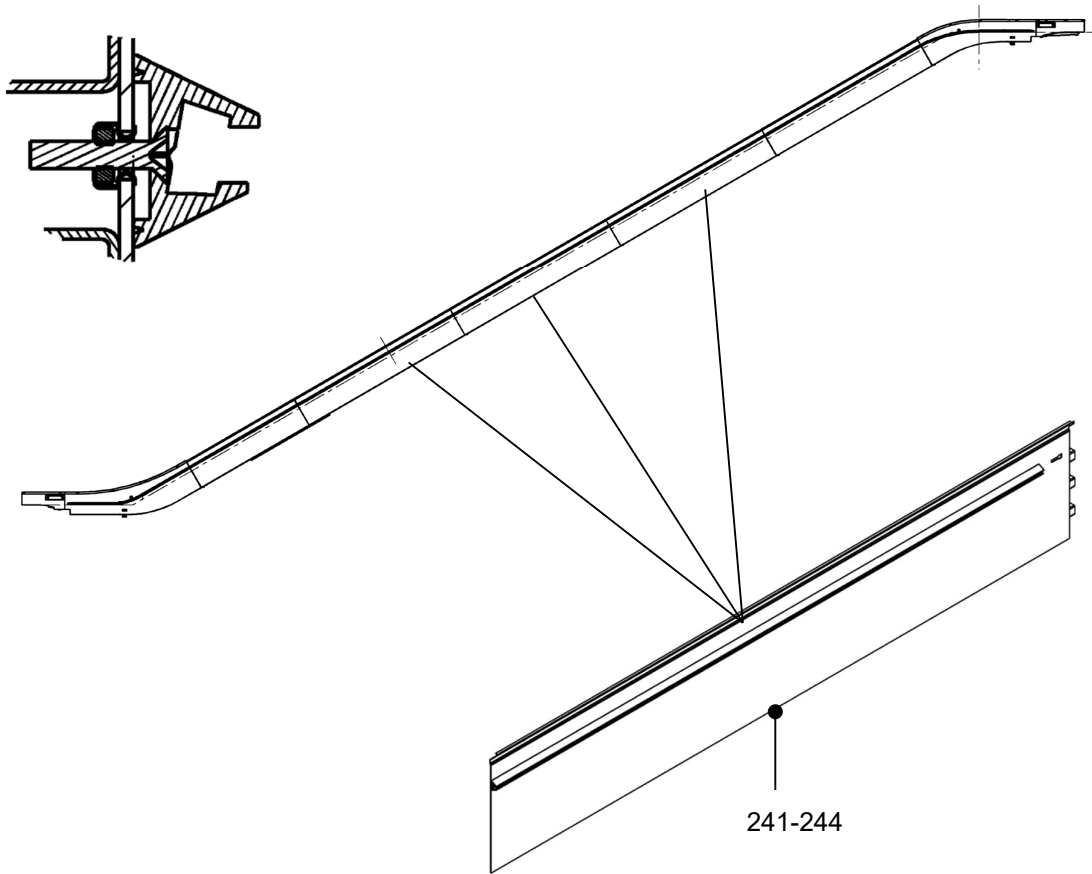


DAA26228EK		
REF. No.	PART No.	DESCRIPTION
237	DAA438TM5	Inclined section skirt panel, w/o skirt panel lighting, Left side.
238	DAA438TM6	Inclined section skirt panel, w/o skirt panel lighting, Right side
239	DAA438TM7	Inclined section skirt panel, w/ skirt panel lighting, Left side.
240	DAA438TM8	Inclined section skirt panel, w/ skirt panel lighting, Right side.



Inclined section skirt panel, for

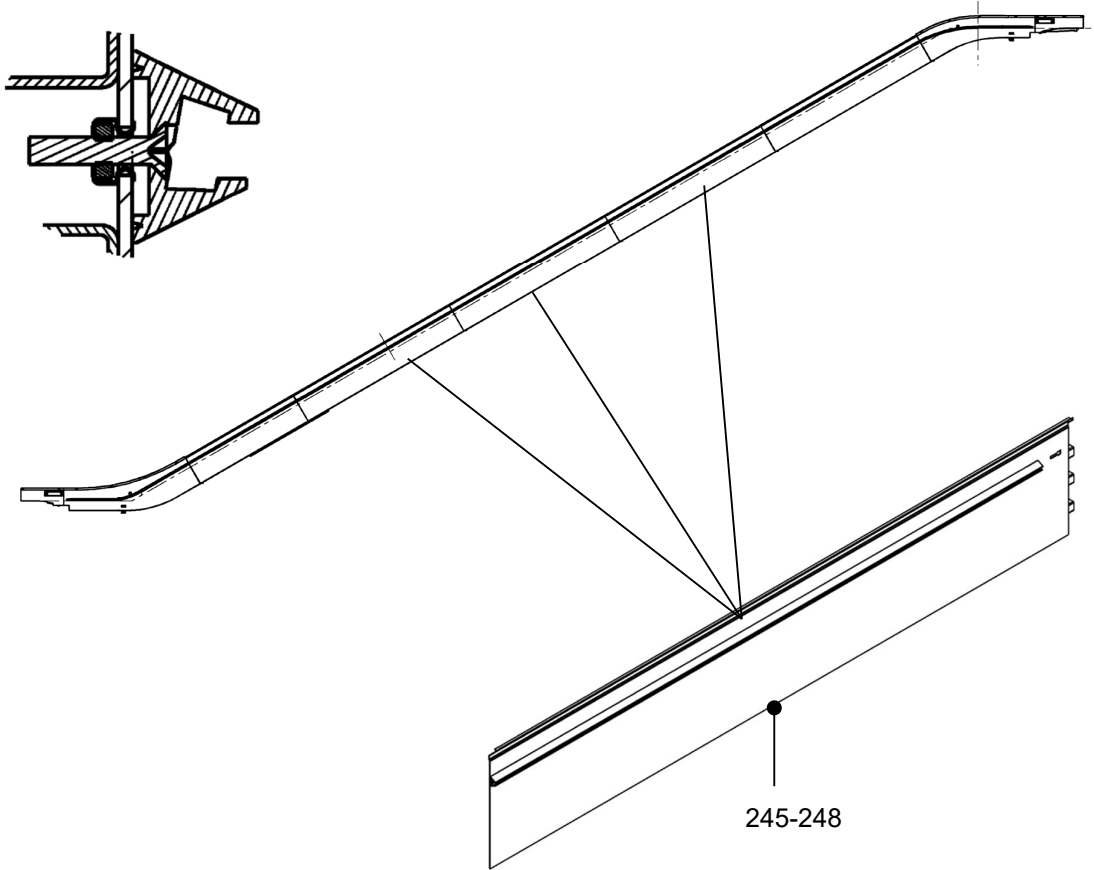
- 508NCE\_ANSI & 512NCE\_ANSI, Surface finish: low friction powder coating black;
- With silver brush holder.



DAA26228EK		
REF. No.	PART No.	DESCRIPTION
241	DAA438TM25	Inclined section skirt panel, w/o skirt panel lighting, Left side.
242	DAA438TM26	Inclined section skirt panel, w/o skirt panel lighting, Right side
243	DAA438TM27	Inclined section skirt panel, w/ skirt panel lighting, Left side.
244	DAA438TM28	Inclined section skirt panel, w/ skirt panel lighting, Right side.

Inclined section skirt panel, for

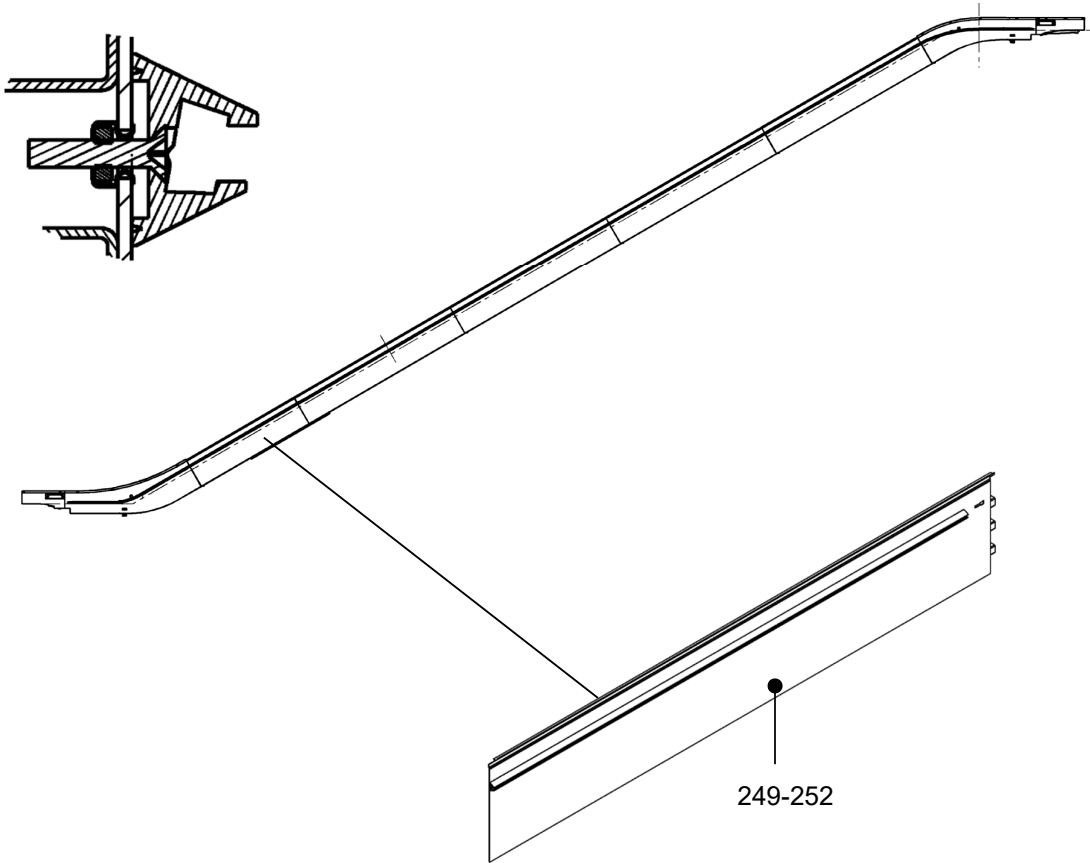
- 508NCE\_ANSI & 512NCE\_ANSI, Surface finish: G2 + low friction powder coating transparent;
- With silver brush holder.



REF. No.	PART No.	DESCRIPTION
	DAA26228EK	
245	DAA438TM29	Inclined section skirt panel, w/o skirt panel lighting, Left side.
246	DAA438TM30	Inclined section skirt panel, w/o skirt panel lighting, Right side
247	DAA438TM31	Inclined section skirt panel, w/ skirt panel lighting, Left side.
248	DAA438TM32	Inclined section skirt panel, w/ skirt panel lighting, Right side.

Inclined section skirt panel, for

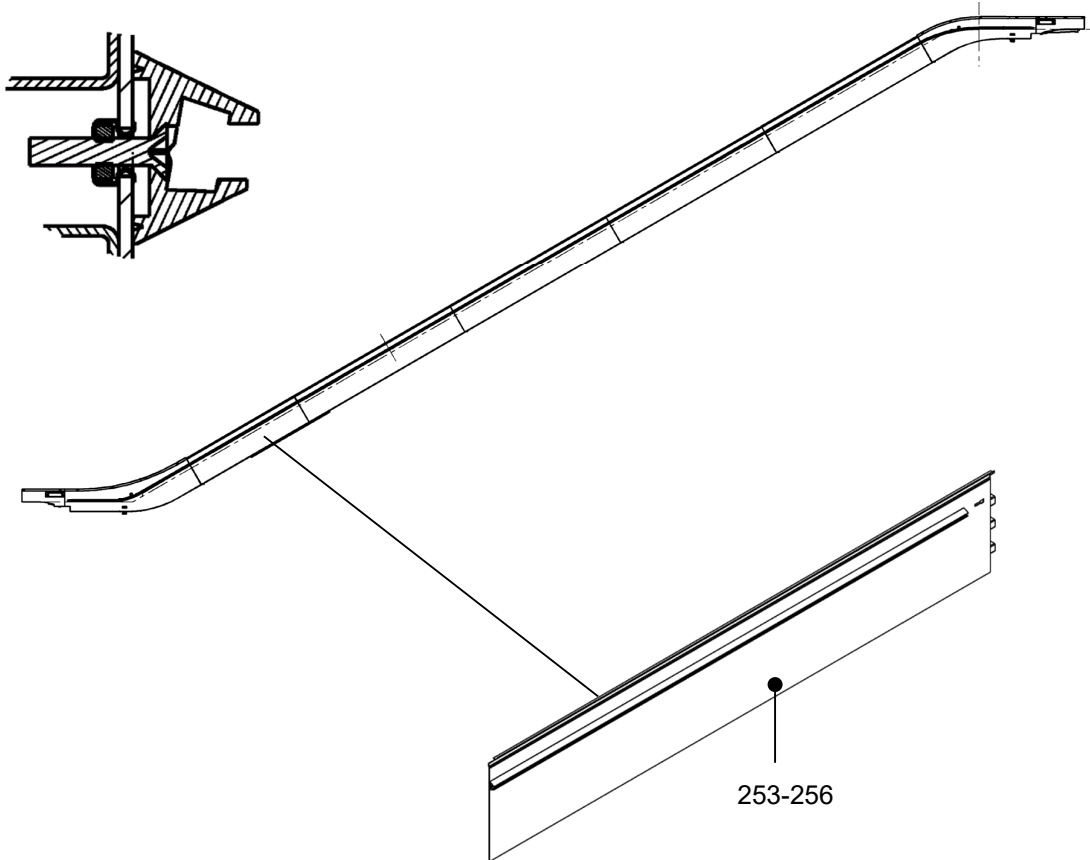
- 508NCE\_ANSI & 512NCE\_ANSI, Surface finish: low friction powder coating black;
- With black brush holder.



DAA26228EK		
REF. No.	PART No.	DESCRIPTION
249	DAA438TM-V1	Inclined section skirt panel with var. length, w/o skirt panel lighting, Left side.
250	DAA438TM-V2	Inclined section skirt panel with var. length, w/o skirt panel lighting, Right side
251	DAA438TM-V5	Inclined section skirt panel with var. length, w/ skirt panel lighting, Left side.
252	DAA438TM-V6	Inclined section skirt panel with var. length, w/ skirt panel lighting, Right side.

Inclined section skirt panel, for

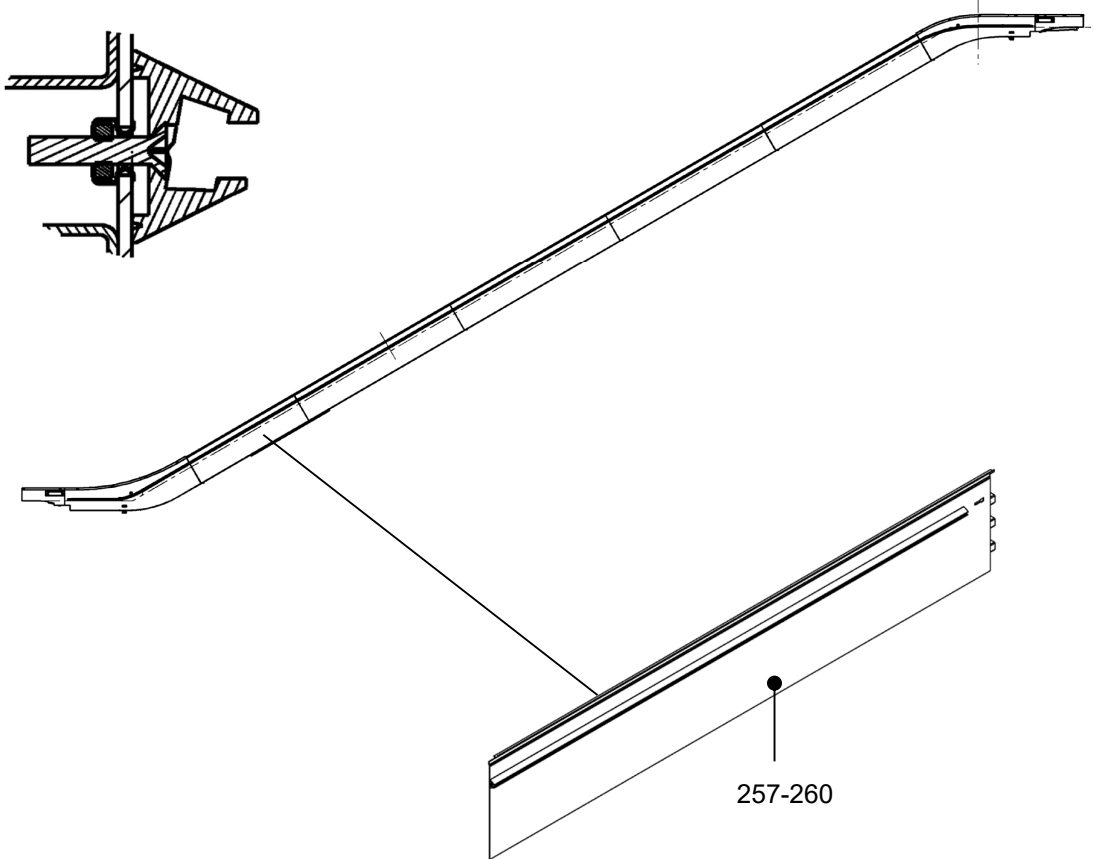
- 508NCE\_ANSI & 512NCE\_ANSI, Surface finish: G2 + low friction powder coating transparent” ;
- With black brush holder.



DAA26228EK		
REF. No.	PART No.	DESCRIPTION
253	DAA438TM-V9	Inclined section skirt panel with var. length, w/o skirt panel lighting, Left side.
254	DAA438TM-V10	Inclined section skirt panel with var. length, w/o skirt panel lighting, Right side
255	DAA438TM-V13	Inclined section skirt panel with var. length, w/ skirt panel lighting, Left side.
256	DAA438TM-V14	Inclined section skirt panel with var. length, w/ skirt panel lighting, Right side.

Inclined section skirt panel, for

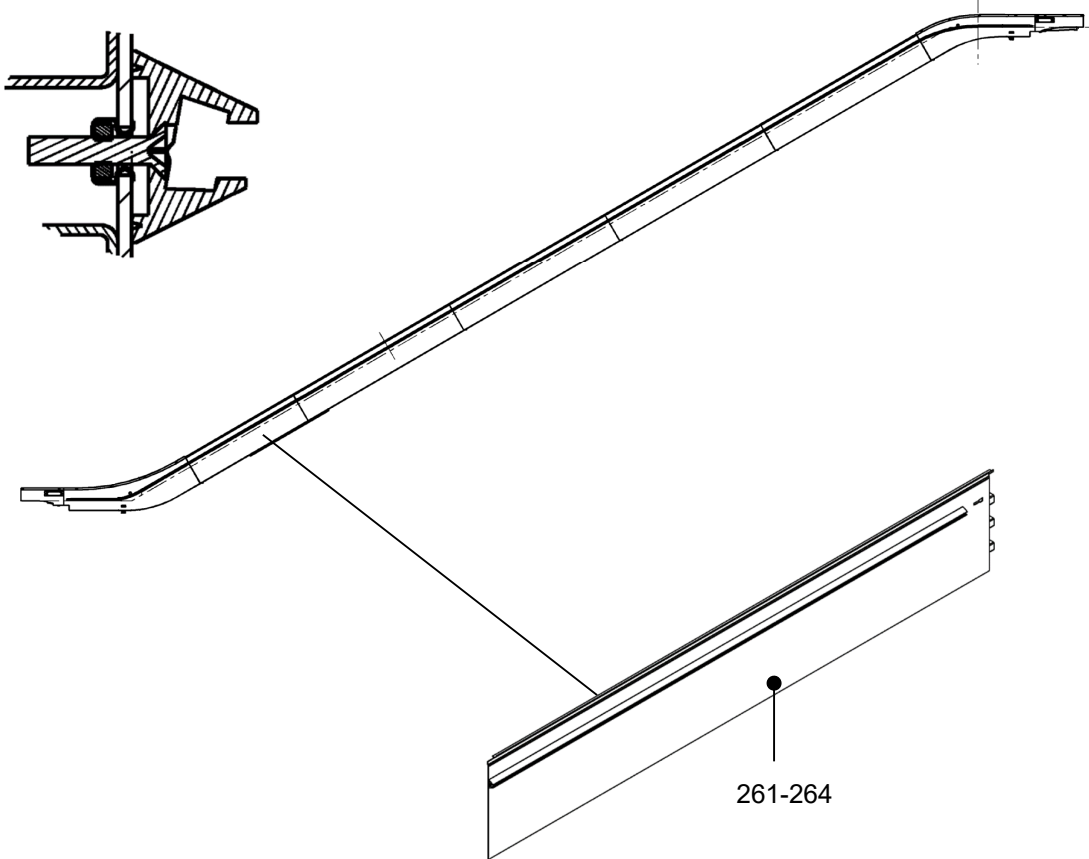
- 508NCE\_ANSI & 512NCE\_ANSI, Surface finish: low friction powder coating black;
- With silver brush holder.



DAA26228EK		
REF. No.	PART No.	DESCRIPTION
257	DAA438TM-V17	Inclined section skirt panel with var. length, w/o skirt panel lighting, Left side.
258	DAA438TM-V18	Inclined section skirt panel with var. length, w/o skirt panel lighting, Right side.
259	DAA438TM-V21	Inclined section skirt panel with var. length, w/ skirt panel lighting, Left side.
260	DAA438TM-V22	Inclined section skirt panel with var. length, w/ skirt panel lighting, Right side.

Inclined section skirt panel, for

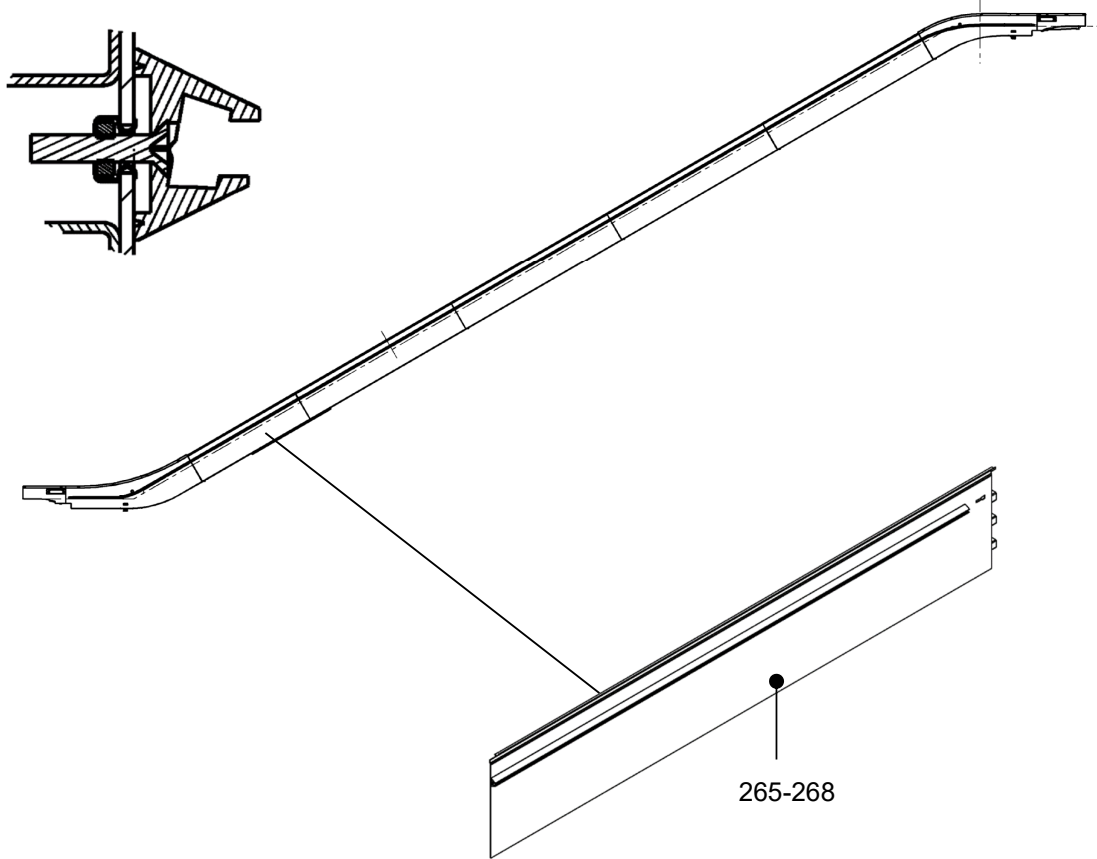
- 508NCE\_ANSI & 512NCE\_ANSI, Surface finish: G2 + low friction powder coating transparent;
- With silver brush holder.



DAA26228EK		
REF. No.	PART No.	DESCRIPTION
261	DAA438TM-V25	Inclined section skirt panel with var. length, w/o skirt panel lighting, Left side.
262	DAA438TM-V26	Inclined section skirt panel with var. length, w/o skirt panel lighting, Right side.
263	DAA438TM-V29	Inclined section skirt panel with var. length, w/ skirt panel lighting, Left side.
264	DAA438TM-V30	Inclined section skirt panel with var. length, w/ skirt panel lighting, Right side.

Inclined section skirt panel, for

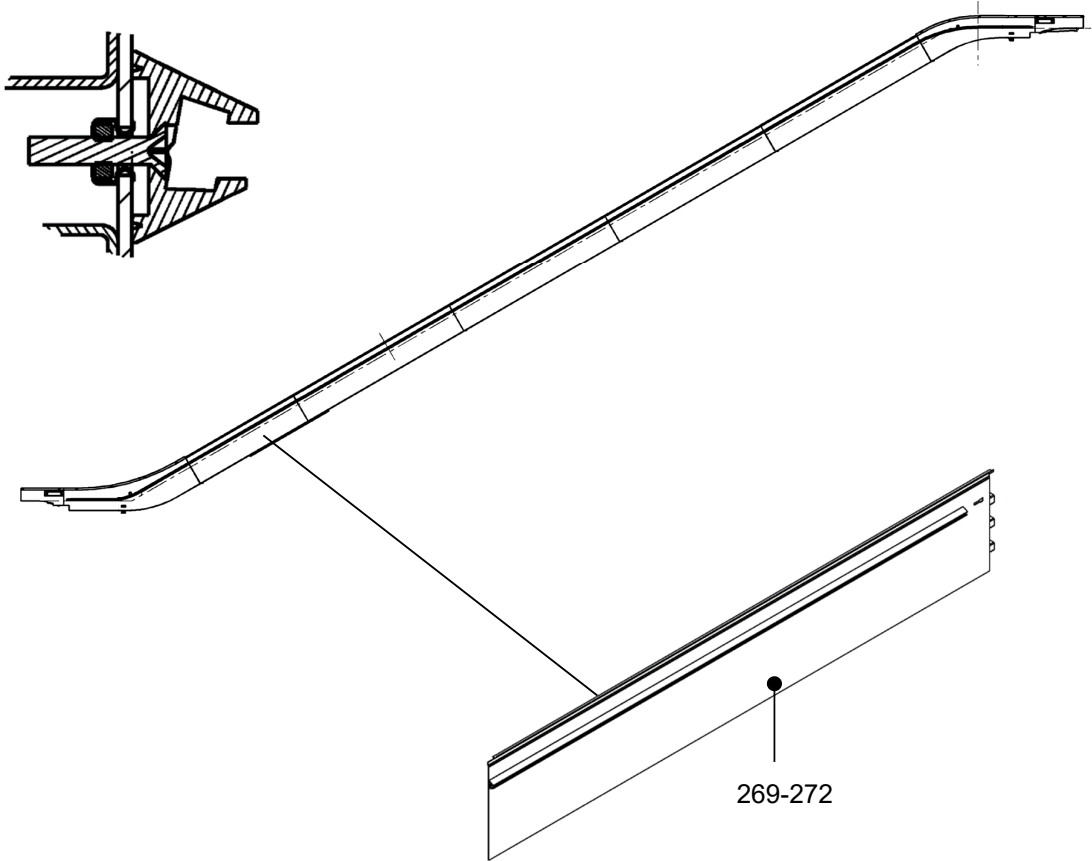
- 508NCE\_ANSI & 512NCE\_ANSI, Surface finish: low friction powder coating black;
- With black brush holder.



DAA26228EK		
REF. No.	PART No.	DESCRIPTION
265	DAA438TM-V3	Inclined section skirt panel with 50mm overmeasure, w/o skirt panel lighting, Left side.
266	DAA438TM-V4	Inclined section skirt panel with 50mm overmeasure, w/o skirt panel lighting, Right side
267	DAA438TM-V7	Inclined section skirt panel with 50mm overmeasure, w/ skirt panel lighting, Left side.
268	DAA438TM-V8	Inclined section skirt panel with 50mm overmeasure, w/ skirt panel lighting, Right side.

Inclined section skirt panel, for

- 508NCE\_ANSI & 512NCE\_ANSI, Surface finish: G2 + low friction powder coating transparent;
- With black brush holder.

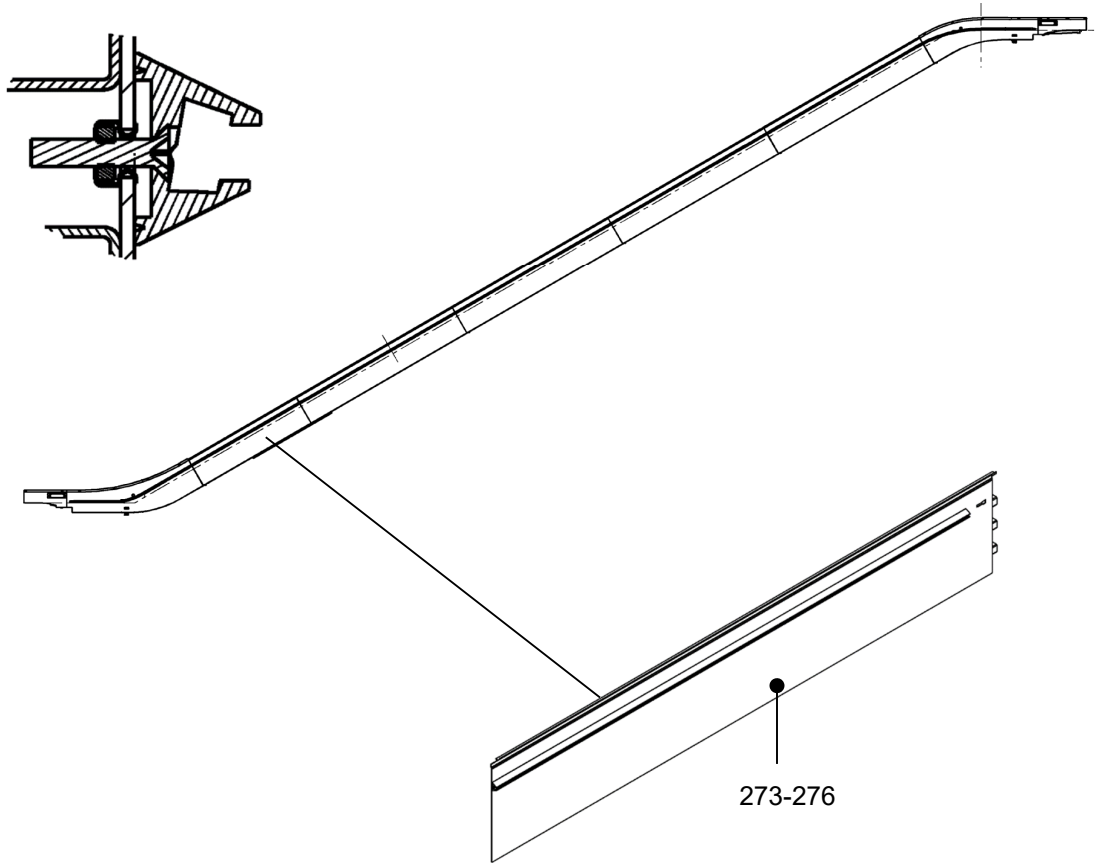


DAA26228EK		
REF. No.	PART No.	DESCRIPTION
269	DAA438TM-V11	Inclined section skirt panel with 50mm overmeasure, w/o skirt panel lighting, Left side.
270	DAA438TM-V12	Inclined section skirt panel with 50mm overmeasure, w/o skirt panel lighting, Right side
271	DAA438TM-V15	Inclined section skirt panel with 50mm overmeasure, w/ skirt panel lighting, Left side.
272	DAA438TM-V16	Inclined section skirt panel with 50mm overmeasure, w/ skirt panel lighting, Right side.



Inclined section skirt panel, for

- 508NCE\_ANSI & 512NCE\_ANSI, Surface finish: low friction powder coating black;
- With silver brush holder.



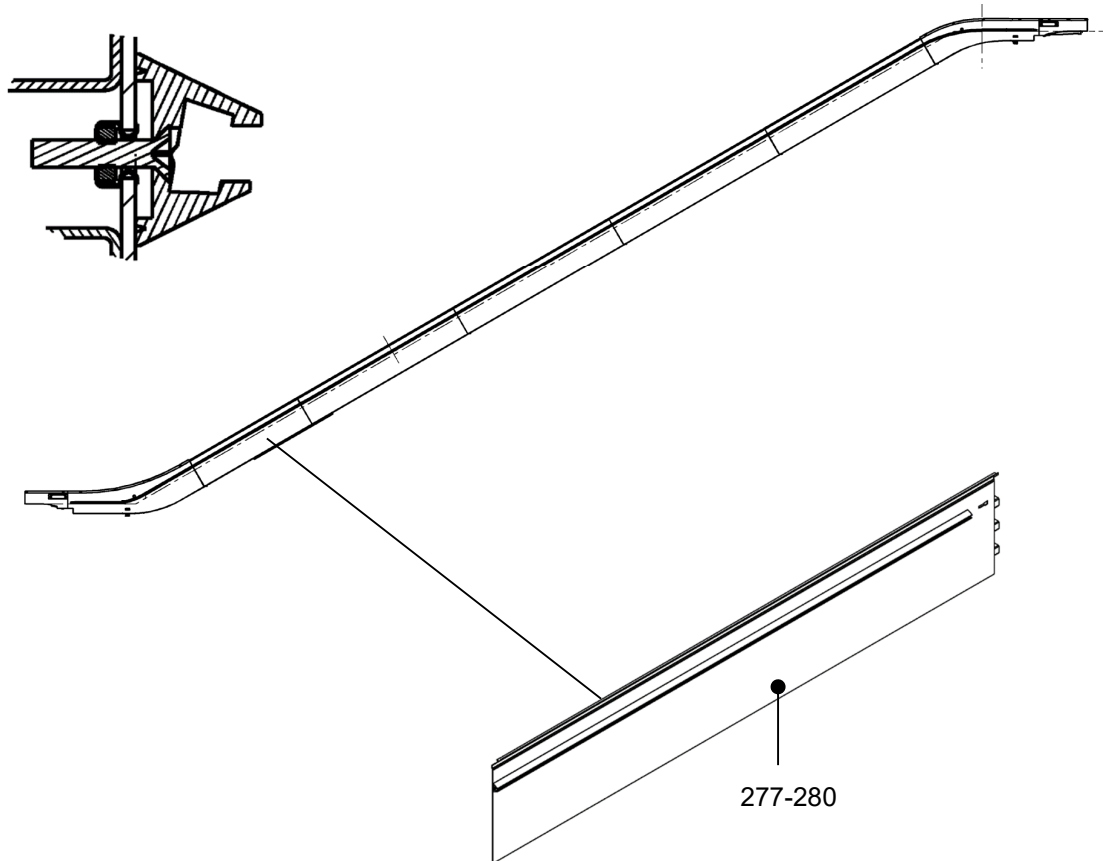
DAA26228EK		
REF. No.	PART No.	DESCRIPTION
273	DAA438TM-V19	Inclined section skirt panel with 50mm overmeasure, w/o skirt panel lighting, Left side.
274	DAA438TM-V20	Inclined section skirt panel with 50mm overmeasure, w/o skirt panel lighting, Right side
275	DAA438TM-V23	Inclined section skirt panel with 50mm overmeasure, w/ skirt panel lighting, Left side.
276	DAA438TM-V24	Inclined section skirt panel with 50mm overmeasure, w/ skirt panel lighting, Right side.

**508NCE / 512NCE ESCALATOR  
Skirt Panel**

**57-DAA26228EK**

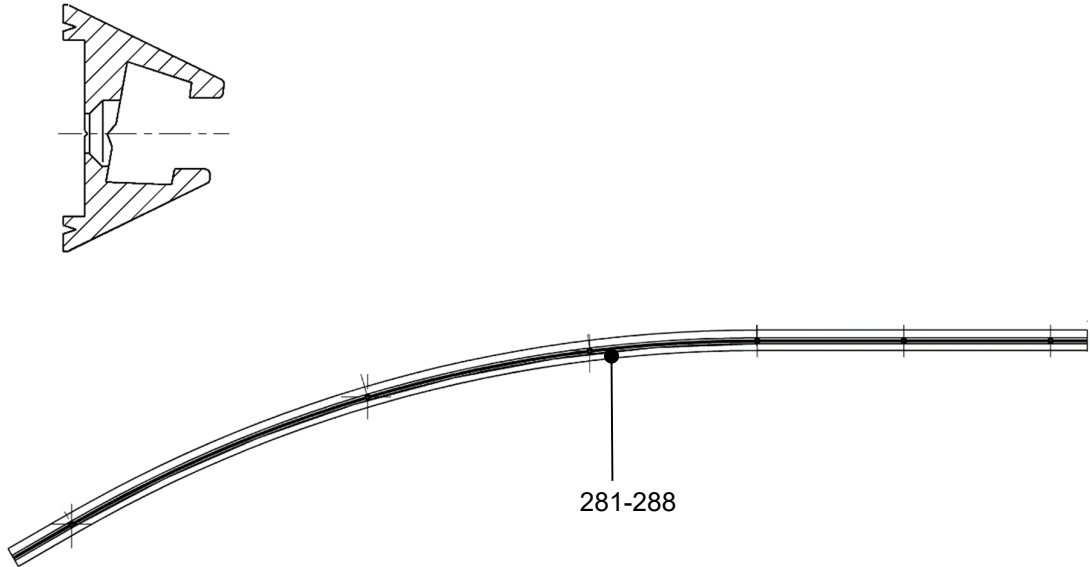
Inclined section skirt panel, for

- 508NCE\_ANSI & 512NCE\_ANSI, Surface finish: G2 + low friction powder coating transparent;
- With silver brush holder.



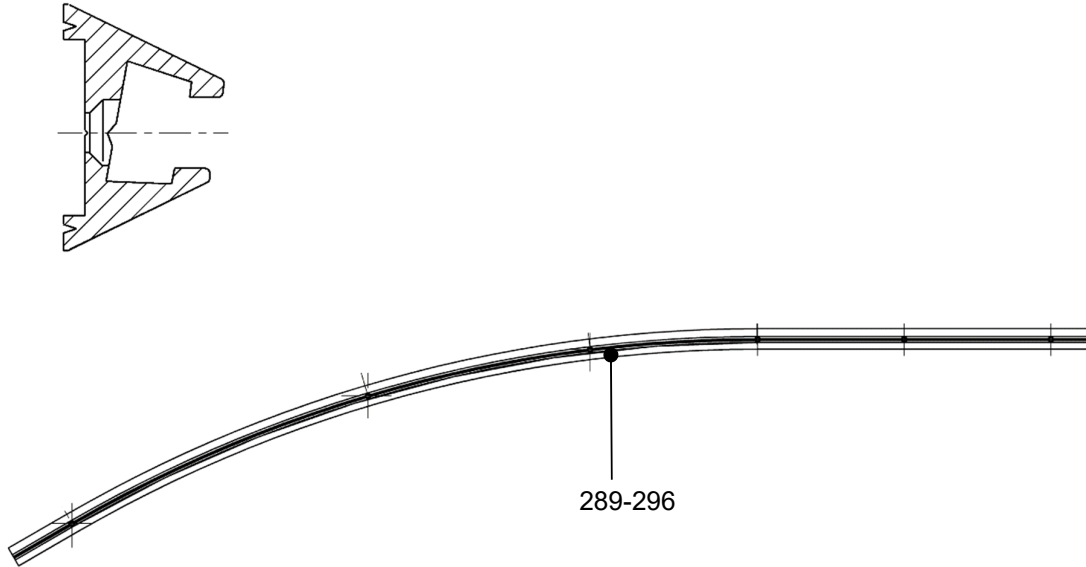
DAA26228EK		
REF. No.	PART No.	DESCRIPTION
277	DAA438TM-V27	Inclined section skirt panel with 50mm overmeasure, w/o skirt panel lighting, Left side.
278	DAA438TM-V28	Inclined section skirt panel with 50mm overmeasure, w/o skirt panel lighting, Right side.
279	DAA438TM-V31	Inclined section skirt panel with 50mm overmeasure, w/ skirt panel lighting, Left side.
280	DAA438TM-V32	Inclined section skirt panel with 50mm overmeasure, w/ skirt panel lighting, Right side.

**Upper landing curve skirt brush holder for 508NCE-ANSI**

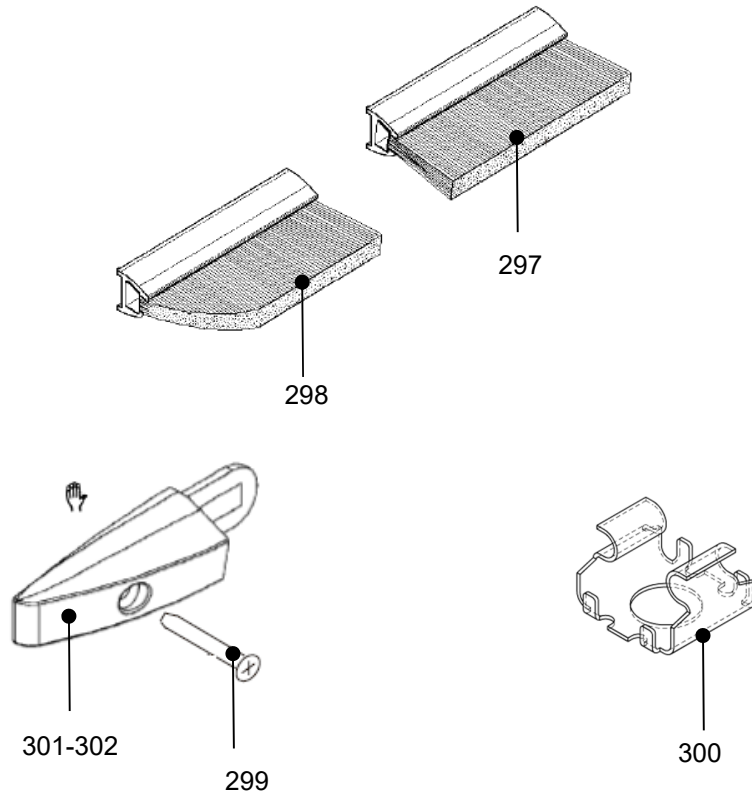


DAA26228EK		UPPER LANDING = UL	
REF. No.	PART No.	DESCRIPTION	TYPE
281	DAA402VS1	Curve skirt brush holder, UL, black, left side.	2 flat steps
282	DAA402VS2	Curve skirt brush holder, UL, black, right side	
283	DAA402VS3	Curve skirt brush holder, UL, black, left side.	3 flat steps
284	DAA402VS4	Curve skirt brush holder, UL, black, right side	
285	DAA402VS9	Curve skirt brush holder, UL, silver, left side.	2 flat steps
286	DAA402VS10	Curve skirt brush holder, UL, silver, right side	
287	DAA402VS11	Curve skirt brush holder, UL, silver, left side.	3 flat steps
288	DAA402VS12	Curve skirt brush holder, UL, silver, right side	

**Upper landing curve skirt brush holder for 512NCE-ANSI**

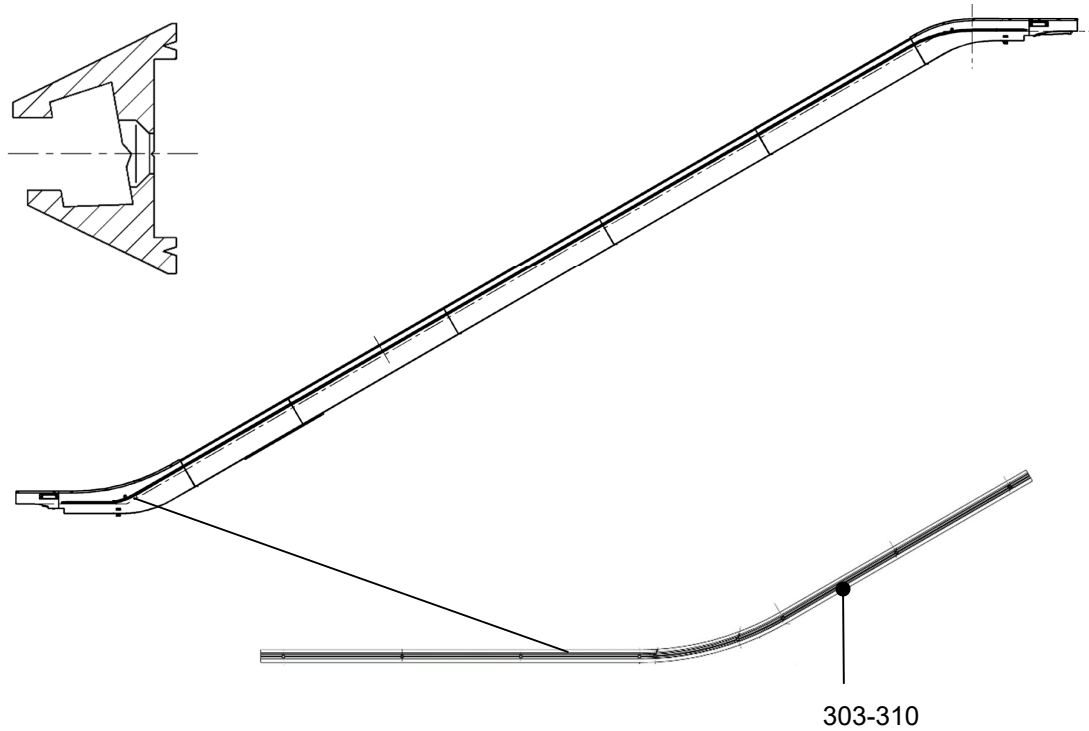


DAA26228EK		UPPER LANDING = UL	
REF. No.	PART No.	DESCRIPTION	TYPE
289	DAA402VS5	Curve skirt brush holder, UL, black, left side.	2 flat steps
290	DAA402VS6	Curve skirt brush holder, UL, black, right side	
291	DAA402VS7	Curve skirt brush holder, UL, black, left side.	3 flat steps
292	DAA402VS8	Curve skirt brush holder, UL, black, right side	
293	DAA402VS13	Curve skirt brush holder, UL, silver, left side.	2 flat steps
294	DAA402VS14	Curve skirt brush holder, UL, silver, right side	
295	DAA402VS15	Curve skirt brush holder, UL, silver, left side.	3 flat steps
296	DAA402VS16	Curve skirt brush holder, UL, silver, right side	



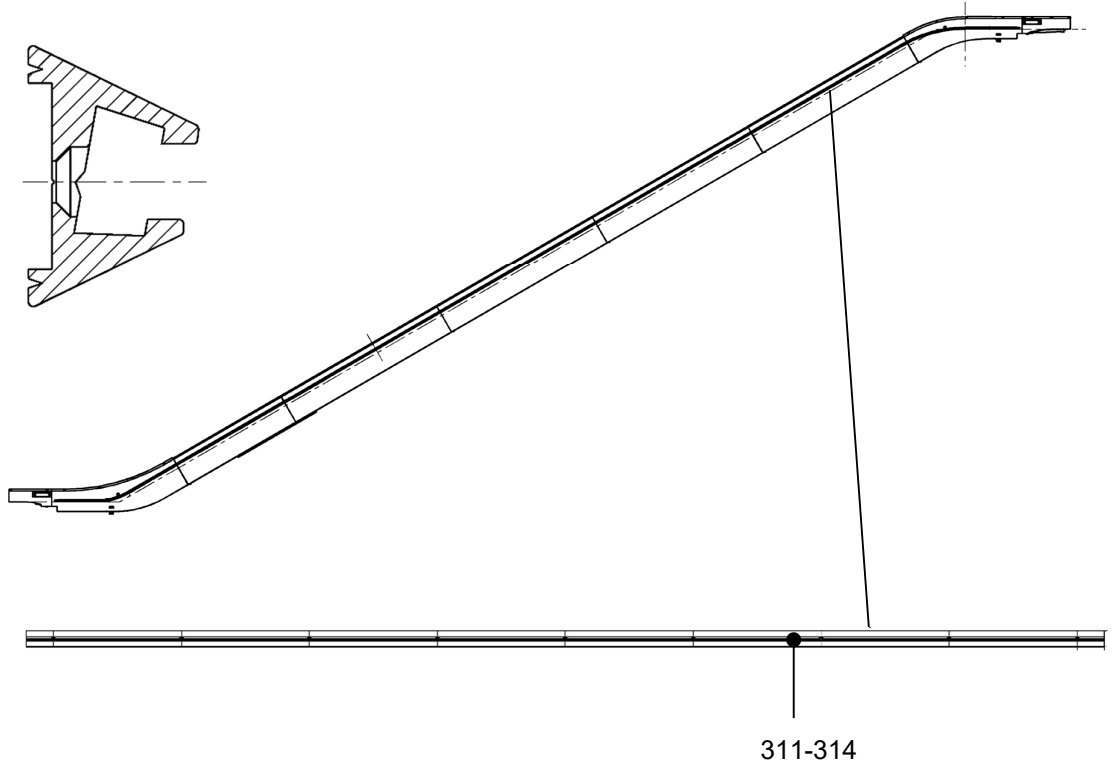
<b>DAA26228EK</b>		<b>UPPER LANDING = UL</b>
<b>REF. No.</b>	<b>PART No.</b>	<b>DESCRIPTION</b>
297	DAA241J1	Brush, inclined section
298	DAA241J2	Brush, landing
299	GB819.1/M4X20H-4.8-Z	Counter sunk flat head screw (ISO7046M4X20-4.8Z)
300	DAA72BA1	Nut
301	DAA273AW1	End cap, left side
302	DAA273AW2	End cap, right side

Lower landing curve skirt brush holder, for  
- 508NCE & 512NCE.



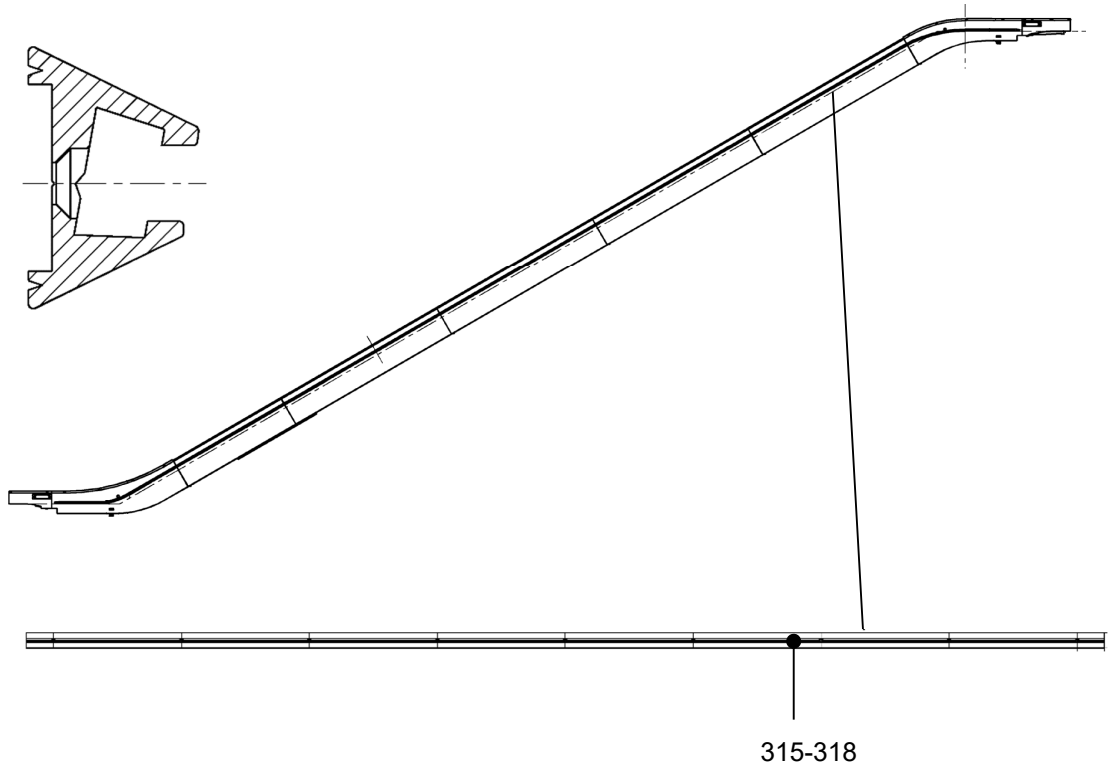
DAA26228EK		LOWER LANDING = LL	
REF. No.	PART No.	DESCRIPTION	TYPE
303	DBA402VR1	Lower landing curve skirt brush holder, black, Left side.	2 flat steps
304	DBA402VR2	Lower landing curve skirt brush holder, black, Right side	
305	DBA402VR3	Lower landing curve skirt brush holder, black, Left side.	3 flat steps
306	DBA402VR4	Lower landing curve skirt brush holder, black, Right side.	
307	DBA402VR5	Lower landing curve skirt brush holder, silver, Left side.	2 flat steps
308	DBA402VR6	Lower landing curve skirt brush holder, silver, Right side	
309	DBA402VR7	Lower landing curve skirt brush holder, silver, Left side.	3 flat steps
310	DBA402VR8	Lower landing curve skirt brush holder, silver, Right side.	

Inclined section skirt brush holder, for  
- 508NCE\_ANSI



DAA26228EK		
REF. No.	PART No.	DESCRIPTION
311	DAA402VN9	Inclined section skirt brush holder, black, Left side.
312	DAA402VN10	Inclined section skirt brush holder, black, Right side
313	DAA402VN13	Inclined section skirt brush holder, silver, Left side.
314	DAA402VN14	Inclined section skirt brush holder, silver, Right side.

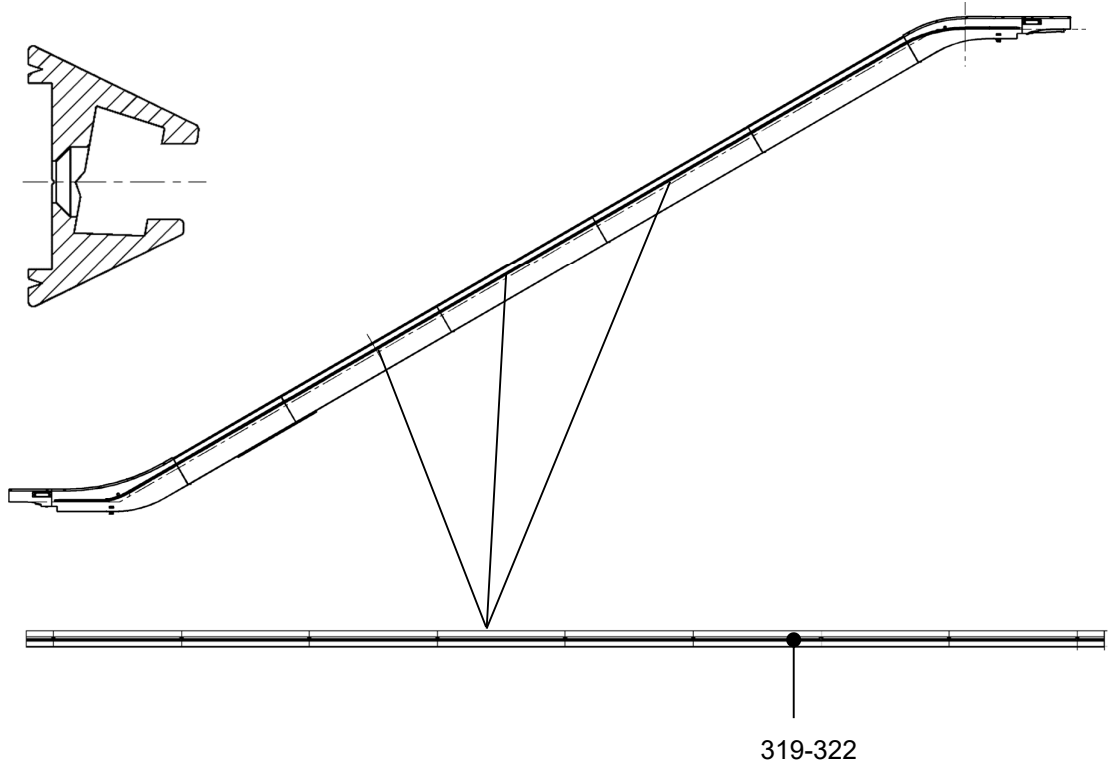
Inclined section skirt brush holder, for  
- 512NCE\_ANSI



DAA26228EK		
REF. No.	PART No.	DESCRIPTION
315	DAA402VN11	Inclined section skirt brush holder, black, Left side.
316	DAA402VN12	Inclined section skirt brush holder, black, Right side.
317	DAA402VN15	Inclined section skirt brush holder, silver, Left side.
318	DAA402VN16	Inclined section skirt brush holder, silver, Right side.

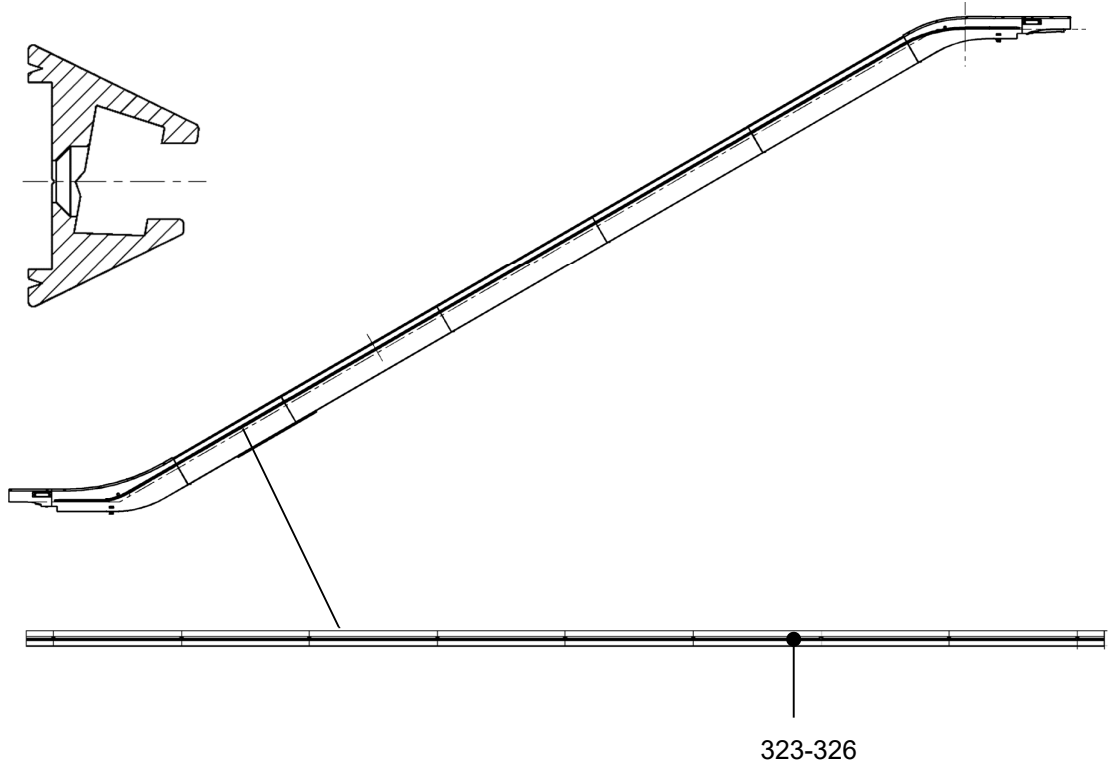


Inclined section skirt brush holder, for  
- 508NCE & 512NCE



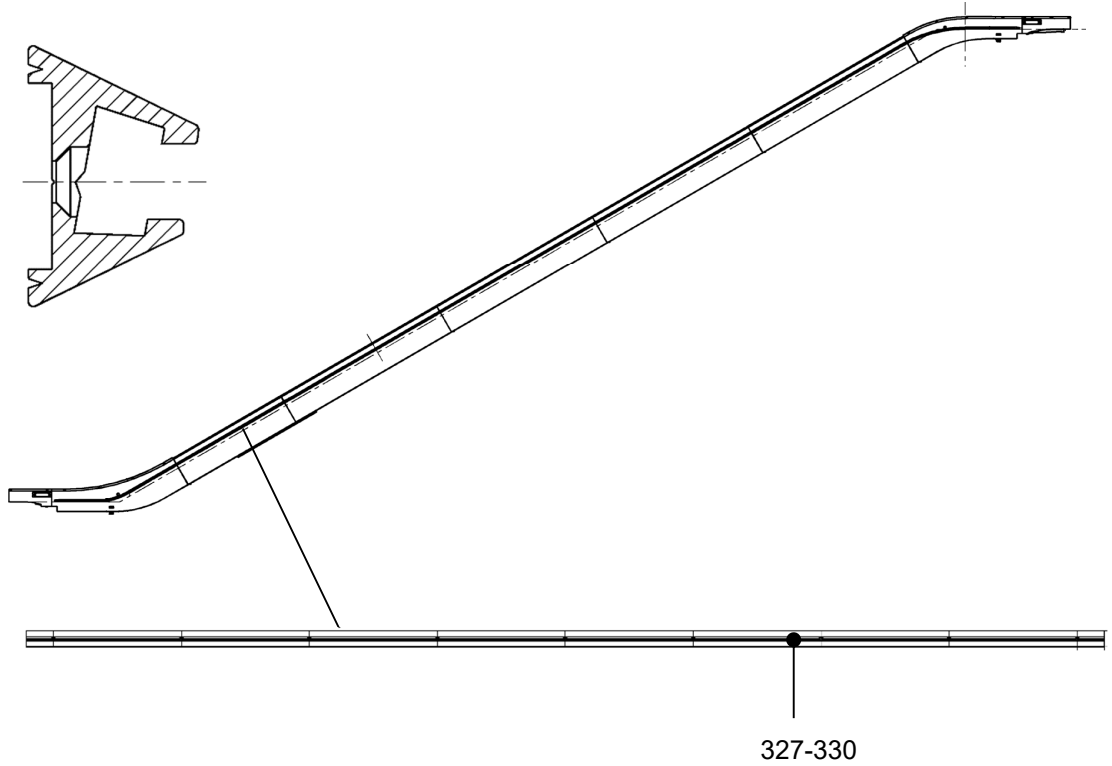
DAA26228EK		
REF. No.	PART No.	DESCRIPTION
319	DAA402VN1	Inclined section skirt brush holder, black, Left side.
320	DAA402VN2	Inclined section skirt brush holder, black, Right side.
321	DAA402VN5	Inclined section skirt brush holder, silver, Left side.
322	DAA402VN6	Inclined section skirt brush holder, silver, Right side.

Inclined section skirt brush holder, for  
- 508NCE & 512NCE



DAA26228EK		
REF. No.	PART No.	DESCRIPTION
323	DAA402VN-V1	Inclined section skirt brush holder var. length, black, Left side.
324	DAA402VN-V2	Inclined section skirt brush holder var. length, black, Right side.
325	DAA402VN-V5	Inclined section skirt brush holder var. length, silver, Left side.
326	DAA402VN-V6	Inclined section skirt brush holder var. length, silver, Right side.

**Inclined section skirt brush holder, for**  
- **508NCE & 512NCE**



REF. No.	PART No.	DESCRIPTION
327	DAA402VN-V3	Inclined section skirt brush holder var. length, with 50mm overmeasure, black, Left side.
328	DAA402VN-V4	Inclined section skirt brush holder var. length, with 50mm overmeasure, black, Right side.
329	DAA402VN-V7	Inclined section skirt brush holder var. length, with 50mm overmeasure, silver, Left side.
330	DAA402VN-V8	Inclined section skirt brush holder var. length, with 50mm overmeasure, silver, Right side.