

OTIS 508NCE ANSI Escalator

Balustrade Glass/Interior Panel

History

Leaflet Description

Balustrade Glass/Interior Panel

Leaflet Revisions

Date Revised	Subject Matter Expert	Reason for Revision
April 20, 2018	CHEN,HL	Release

Related Drawings

Drawing No.	Title	Drawing No.	Title
DBA26228BQ	Balustrade Glass/Interior Panel		

Related Documents

Document ID	Title
ODS DBA27076DP	Balustrade Glass/Interior Panel

Subject Matter Expert

Name	Department
Li, Biao	SIT-Guangzhou

About Spare Parts Leaflets...

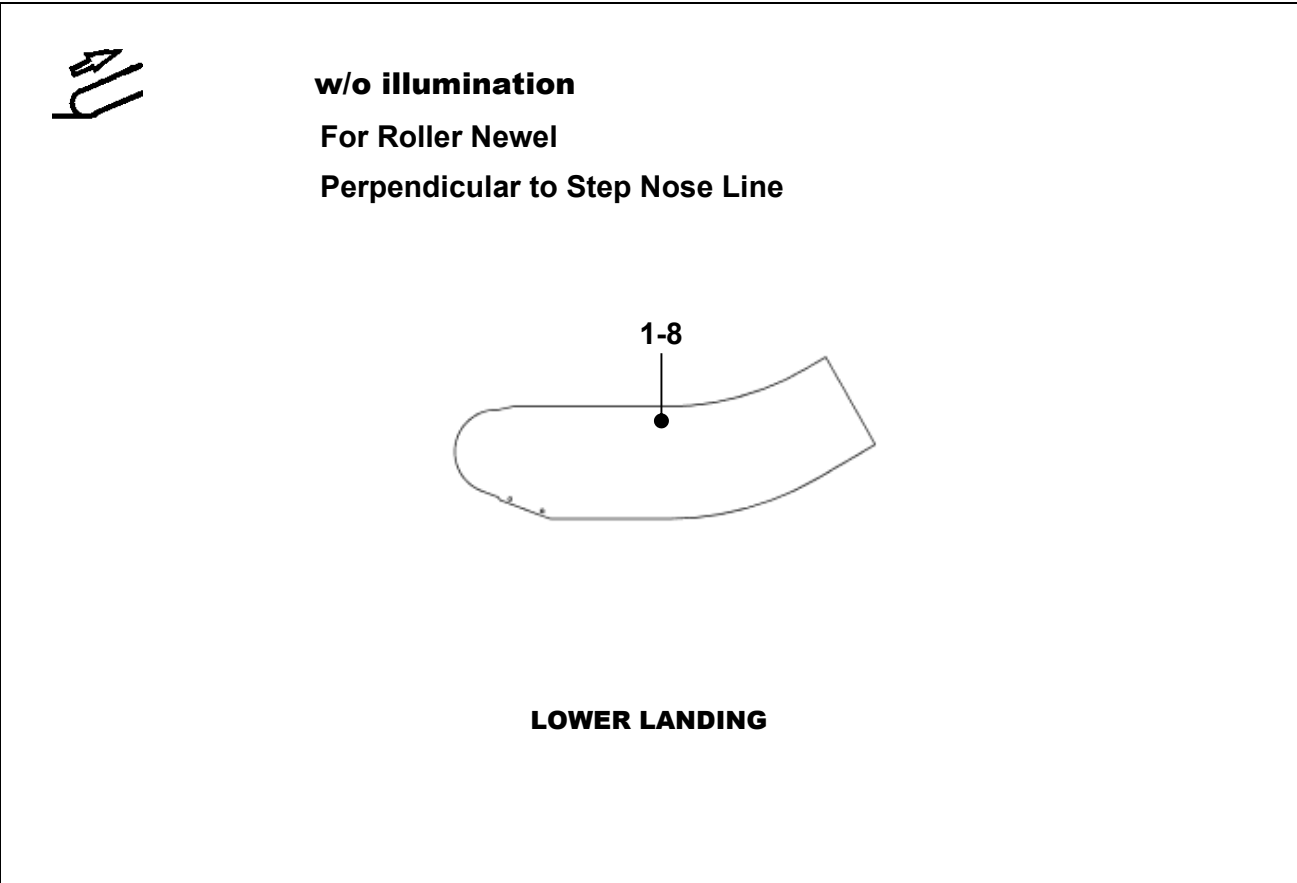
This document lists the lowest replaceable units (LRUs) for the standard version of the product. The LRUs are chosen by a team of Otis associates representing engineering and manufacturing.

While goal of this document is to make parts identification as easy as possible, the document cannot be all-inclusive. Elevator and escalator contracts classified as "special" or "custom" are not addressed here. For such contracts, please refer to specified information, the contract folder, TIPS, Field Education Articles, Construction Letters, etc. for further information.

If you have any suggestions about this document, please contact the subject matter expert listed on this page.

**OTIS 508NCE ANSI
Escalator
Balustrade Glass/Interior Panel**

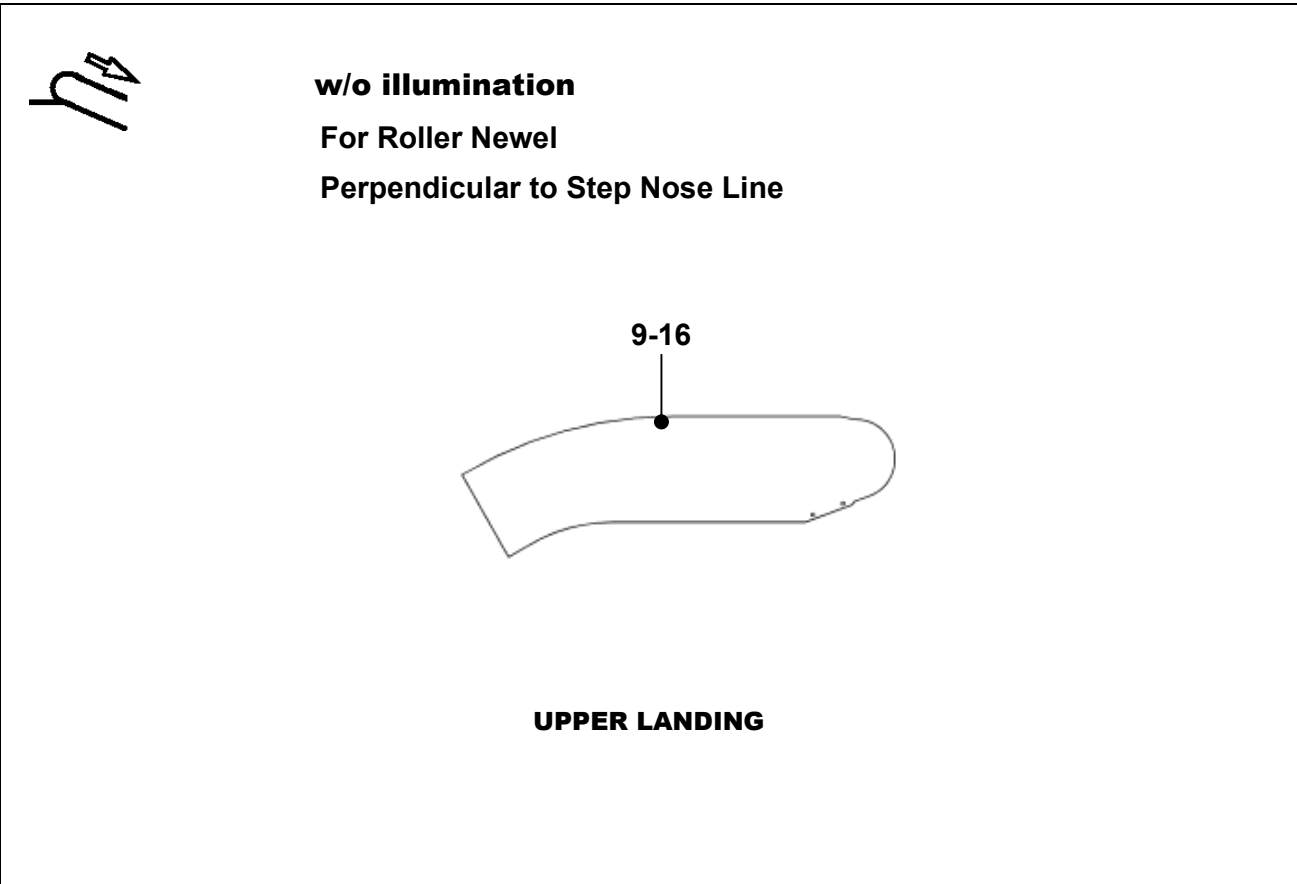
**Spare Parts Leaflet
57-DBA26228BQ**



DBA26228BQ					
REF. No.	PART No.	DESCRIPTION			
1	DBA434GK1	Glass panel	Clear	Balustrade Heights 1000m 2 Flat steps	ANSI 30°
2	DBA434GK2	Glass panel	Smoked		
3	DBA434GK3	Glass panel	Green		
4	DBA434GK4	Glass panel	Bronze		
5	DBA434GK5	Glass panel	Clear	Balustrade Heights 1000mm 3 Flat steps	
6	DBA434GK6	Glass panel	Smoked		
7	DBA434GK7	Glass panel	Green		
8	DBA434GK8	Glass panel	Bronze		

**OTIS 508NCE ANSI
Escalator
Balustrade Glass/Interior Panel**

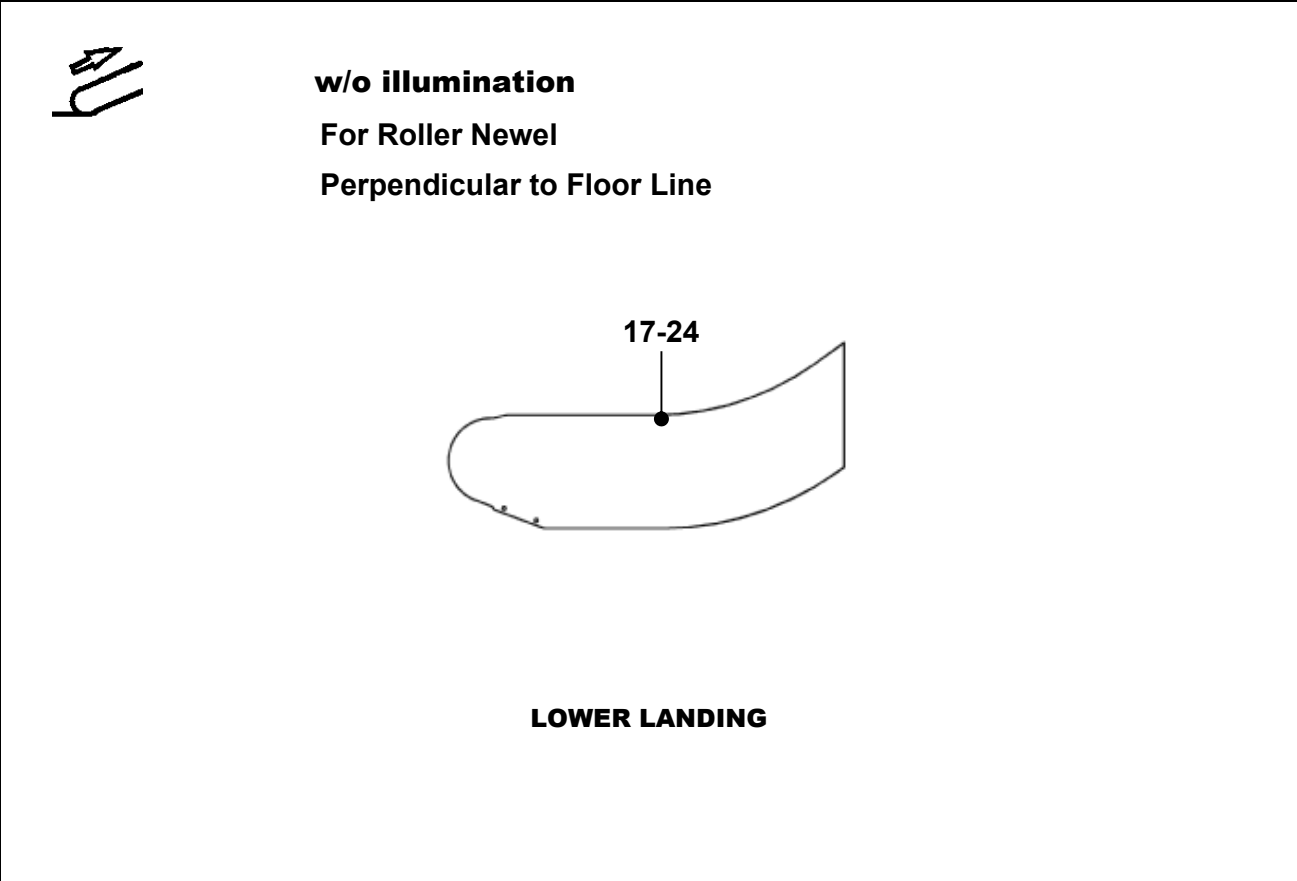
**Spare Parts Leaflet
57-DBA26228BQ**



DBA26228BQ					
REF. No.	PART No.	DESCRIPTION			
9	DBA434GL1	Glass panel	Clear	Balustrade Heights 1000mm 2 Flat steps	ANSI 30°
10	DBA434GL2	Glass panel	Smoked		
11	DBA434GL3	Glass panel	Green		
12	DBA434GL4	Glass panel	Bronze		
13	DBA434GL5	Glass panel	Clear	Balustrade Heights 1000mm 3 Flat steps	
14	DBA434GL6	Glass panel	Smoked		
15	DBA434GL7	Glass panel	Green		
16	DBA434GL8	Glass panel	Bronze		

**OTIS 508NCE ANSI
Escalator
Balustrade Glass/Interior Panel**

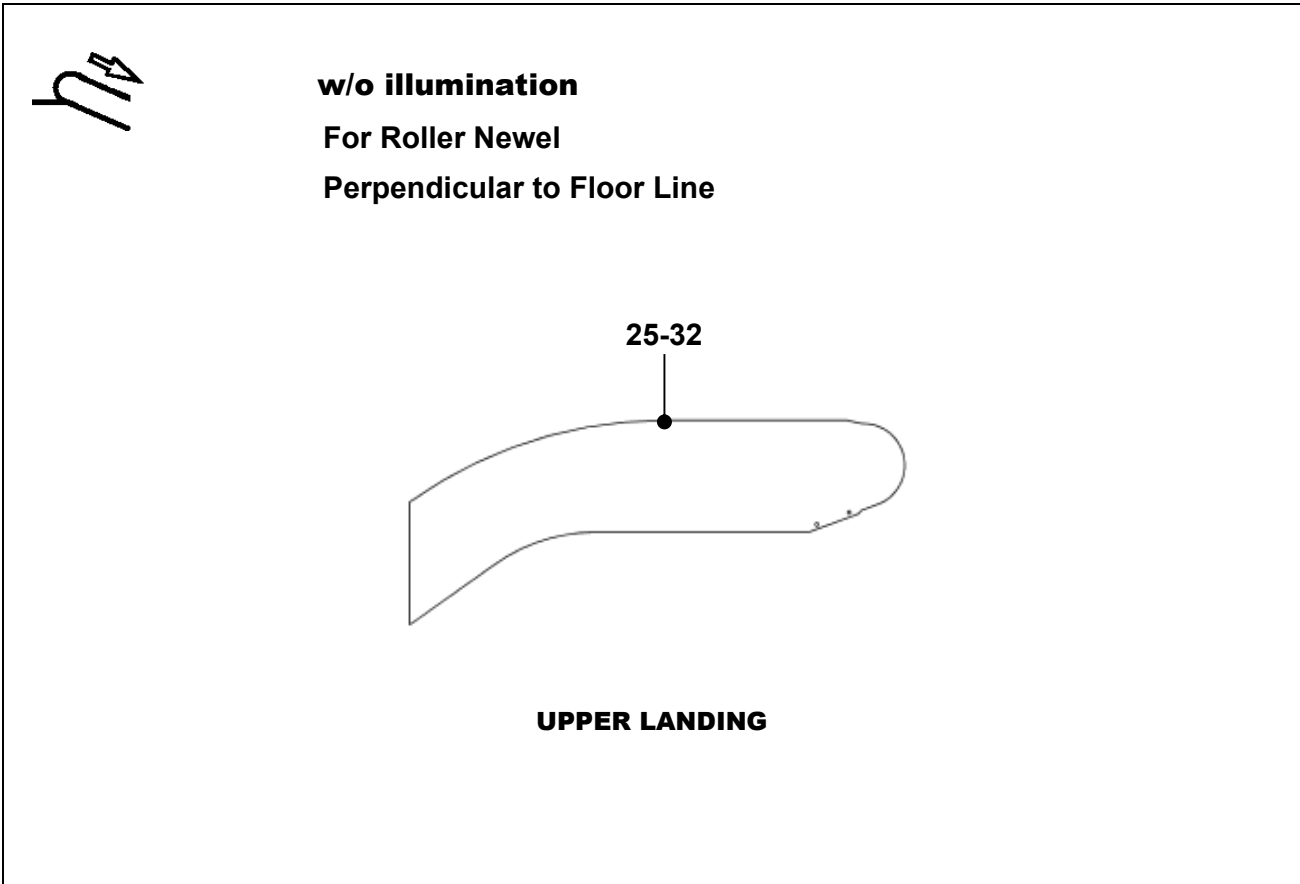
**Spare Parts Leaflet
57-DBA26228BQ**



DBA26228BQ					
REF. No.	PART No.	DESCRIPTION			
17	DBA434GM1	Glass panel	Clear	Balustrade Heights 1000mm 2 Flat steps	ANSI 30°
18	DBA434GM2	Glass panel	Smoked		
19	DBA434GM3	Glass panel	Green		
20	DBA434GM4	Glass panel	Bronze		
21	DBA434GM5	Glass panel	Clear	Balustrade Heights 1000mm 3 Flat steps	
22	DBA434GM6	Glass panel	Smoked		
23	DBA434GM7	Glass panel	Green		
24	DBA434GM8	Glass panel	Bronze		

**OTIS 508NCE ANSI
Escalator
Balustrade Glass/Interior Panel**

**Spare Parts Leaflet
57-DBA26228BQ**



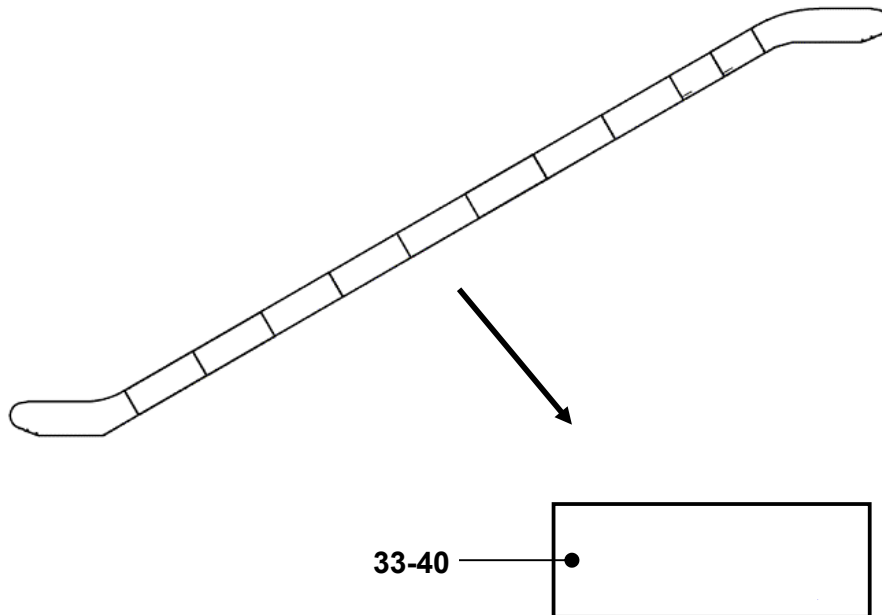
DBA26228BQ					
REF. No.	PART No.	DESCRIPTION			
25	DBA434GN1	Glass panel	Clear	Balustrade Heights 1000mm 2 Flat steps	ANSI 30°
26	DBA434GN2	Glass panel	Smoked		
27	DBA434GN3	Glass panel	Green		
28	DBA434GN4	Glass panel	Bronze		
29	DBA434GN5	Glass panel	Clear	Balustrade Heights 1000mm 3 Flat steps	
30	DBA434GN6	Glass panel	Smoked		
31	DBA434GN7	Glass panel	Green		
32	DBA434GN8	Glass panel	Bronze		

**OTIS 508NCE ANSI
Escalator
Balustrade Glass/Interior Panel**

**Spare Parts Leaflet
57-DBA26228BQ**

w/o illumination

GLASS JOINTS PERPENDICULAR TO STEP NOSE LINE



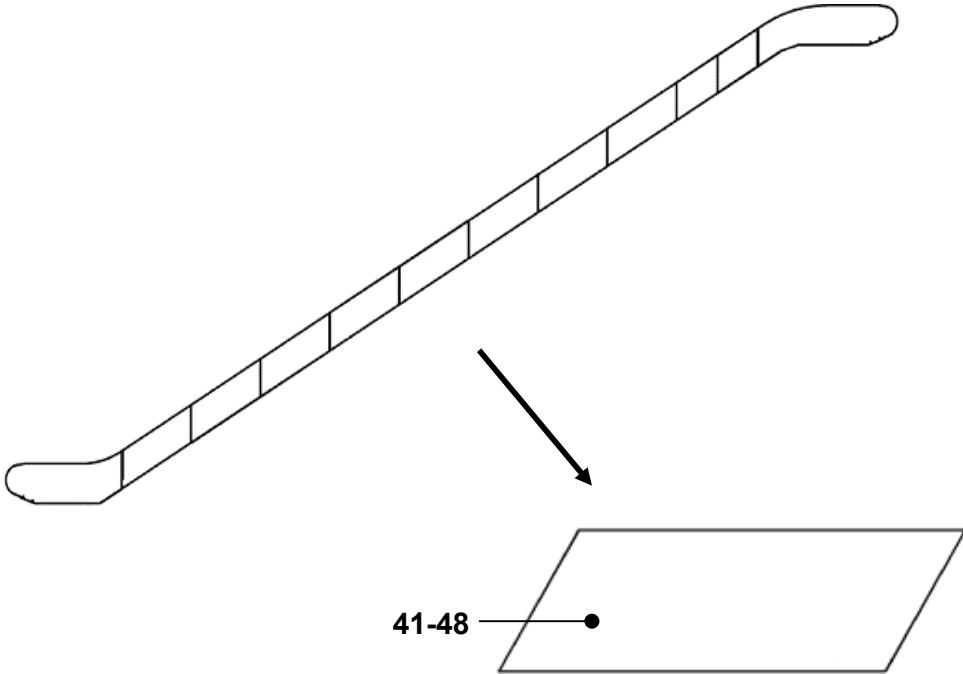
DBA26228BQ		INCLINED SECTION				
REF. No.	PART No.	DESCRIPTION				
33	DBA434CB5	Glass panel	Clear	Length=2000mm	Balustrade Heights 1000mm	ANSI 30°
34	DBA434CB6	Glass panel	Smoked	Length=2000mm		
35	DBA434CB7	Glass panel	Green	Length=2000mm		
36	DBA434CB8	Glass panel	Bronze	Length=2000mm		
37	DBA434CB-V5	Glass panel	Clear	Per Spec.		
38	DBA434CB-V6	Glass panel	Smoked	Per Spec.		
39	DBA434CB-V7	Glass panel	Green	Per Spec.		
40	DBA434CB-V8	Glass panel	Bronze	Per Spec.		

**OTIS 508NCE ANSI
Escalator
Balustrade Glass/Interior Panel**

**Spare Parts Leaflet
57-DBA26228BQ**

w/o illumination

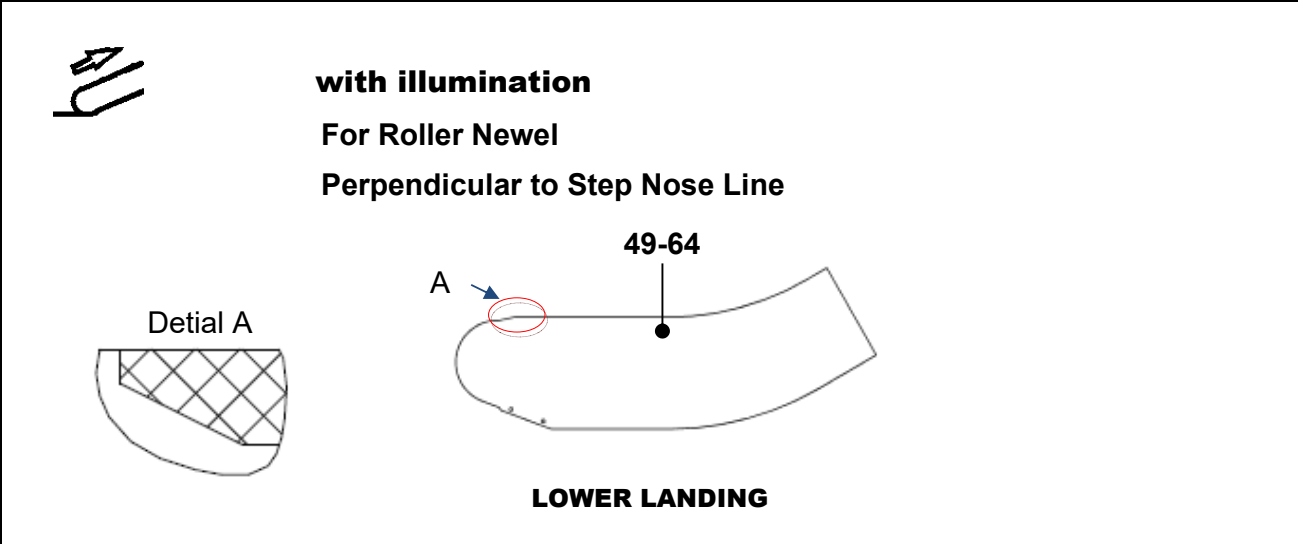
GLASS JOINTS PERPENDICULAR TO FLOOR PLATE



DBA26228BQ		INCLINED SECTION				
REF. No.	PART No.	DESCRIPTION				
41	DBA434CA9	Glass panel	Clear	Length=1732mm	Balustrade Heights 1000mm	ANSI 30°
42	DBA434CA10	Glass panel	Smoked	Length=1732mm		
43	DBA434CA11	Glass panel	Green	Length=1732mm		
44	DBA434CA12	Glass panel	Bronze	Length=1732mm		
45	DBA434CA-V9	Glass panel	Clear	Per Spec.		
46	DBA434CA-V10	Glass panel	Smoked	Per Spec.		
47	DBA434CA-V11	Glass panel	Green	Per Spec.		
48	DBA434CA-V12	Glass panel	Bronze	Per Spec.		

**OTIS 508NCE ANSI
Escalator
Balustrade Glass/Interior Panel**

**Spare Parts Leaflet
57-DBA26228BQ**



DBA26228BQ						
REF. No.	PART No.	DESCRIPTION				
49	DCA434GP21	Glass panel	Clear	Left Side	Balustrade Heights 1000m 2 Flat steps	ANSI 30°
50	DCA434GP22	Glass panel	Clear	Right Side		
51	DCA434GP23	Glass panel	Smoked	Left Side		
52	DCA434GP24	Glass panel	Smoked	Right Side		
53	DCA434GP25	Glass panel	Green	Left Side		
54	DCA434GP26	Glass panel	Green	Right Side		
55	DCA434GP27	Glass panel	Bronze	Left Side		
56	DCA434GP28	Glass panel	Bronze	Right Side		
57	DCA434GP29	Glass panel	Clear	Left Side	Balustrade Heights 1000mm 3 Flat steps	
58	DCA434GP30	Glass panel	Clear	Right Side		
59	DCA434GP31	Glass panel	Smoked	Left Side		
60	DCA434GP32	Glass panel	Smoked	Right Side		
61	DCA434GP33	Glass panel	Green	Left Side		
62	DCA434GP34	Glass panel	Green	Right Side		
63	DCA434GP35	Glass panel	Bronze	Left Side		
64	DCA434GP36	Glass panel	Bronze	Right Side		

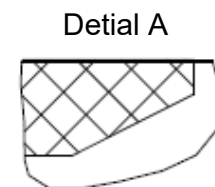
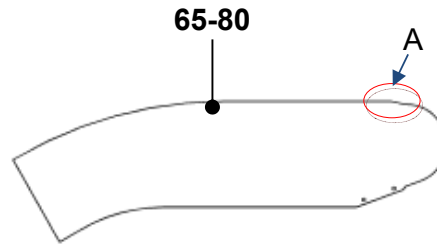
OTIS 508NCE ANSI Escalator

Balustrade Glass/Interior Panel

**Spare Parts Leaflet
57-DBA26228BQ**



with illumination
For Roller Newel
Perpendicular to Step Nose Line

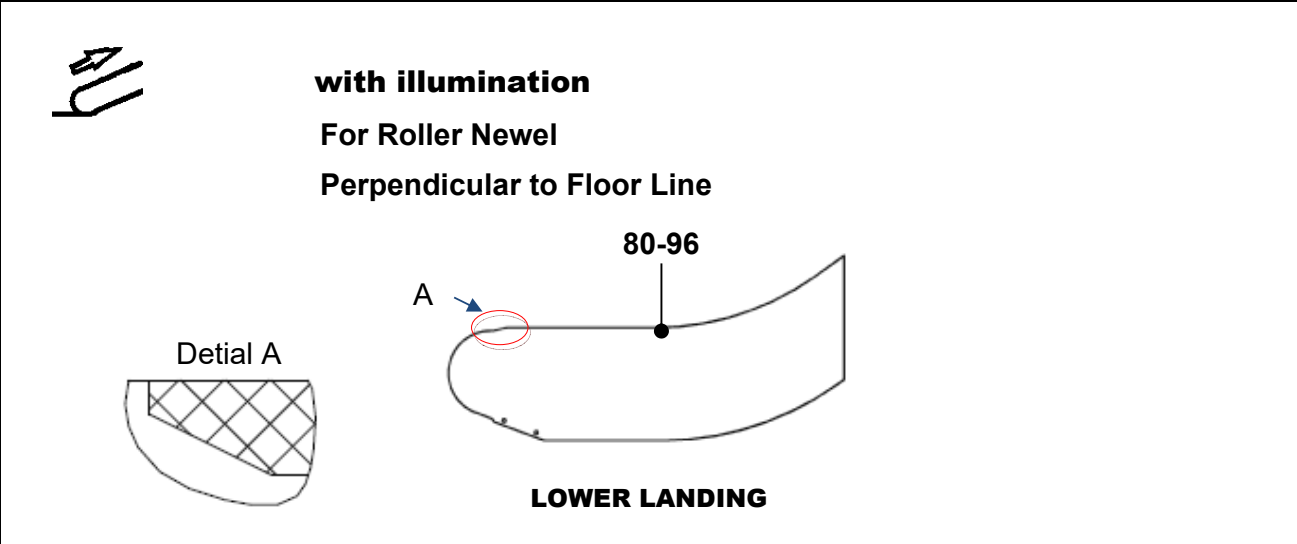


UPPER LANDING

DBA26228BQ						
REF. No.	PART No.	DESCRIPTION				
65	DCA434GQ21	Glass panel	Clear	Left Side	Balustrade Heights 1000mm 2 Flat steps	ANSI 30°
66	DCA434GQ22	Glass panel	Clear	Right Side		
67	DCA434GQ23	Glass panel	Smoked	Left Side		
68	DCA434GQ24	Glass panel	Smoked	Right Side		
69	DCA434GQ25	Glass panel	Green	Left Side		
70	DCA434GQ26	Glass panel	Green	Right Side		
71	DCA434GQ27	Glass panel	Bronze	Left Side		
72	DCA434GQ28	Glass panel	Bronze	Right Side		
73	DCA434GQ29	Glass panel	Clear	Left Side	Balustrade Heights 1000mm 3 Flat steps	
74	DCA434GQ30	Glass panel	Clear	Right Side		
75	DCA434GQ31	Glass panel	Smoked	Left Side		
76	DCA434GQ32	Glass panel	Smoked	Right Side		
77	DCA434GQ33	Glass panel	Green	Left Side		
78	DCA434GQ34	Glass panel	Green	Right Side		
79	DCA434GQ35	Glass panel	Bronze	Left Side		
80	DCA434GQ36	Glass panel	Bronze	Right Side		

**OTIS 508NCE ANSI
Escalator
Balustrade Glass/Interior Panel**

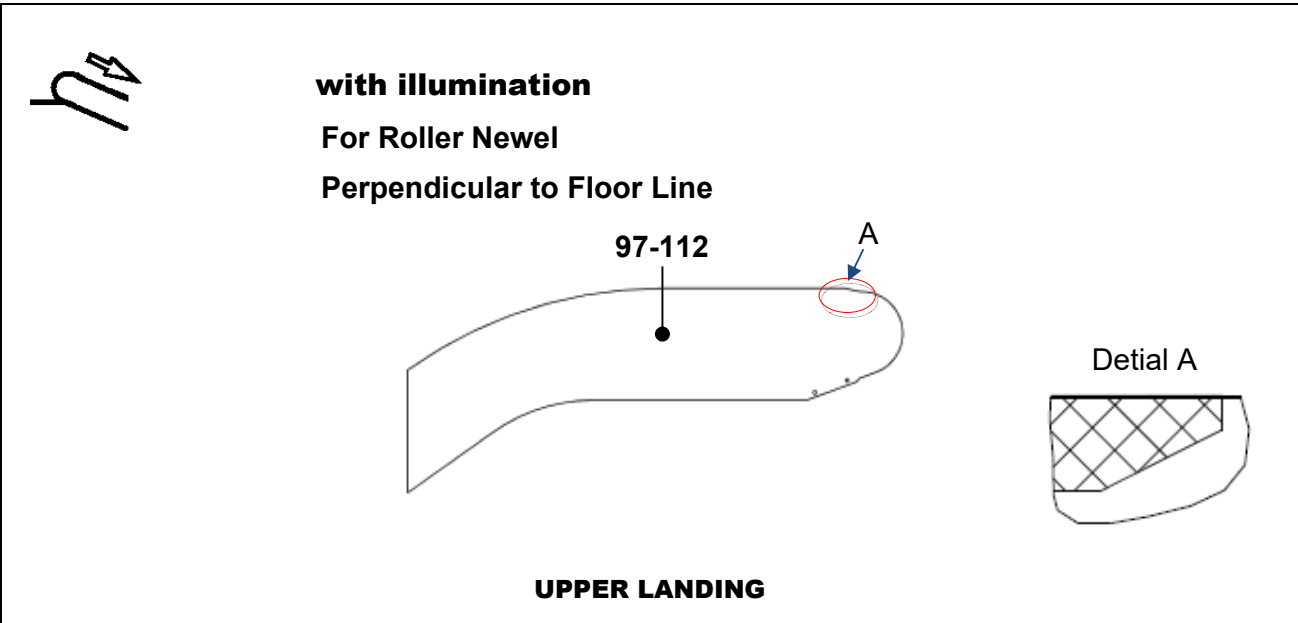
**Spare Parts Leaflet
57-DBA26228BQ**



DBA26228BQ						
REF. No.	PART No.	DESCRIPTION				
81	DCA434GR21	Glass panel	Clear	Left Side	Balustrade Heights 1000mm 2 Flat steps	ANSI 30°
82	DCA434GR22	Glass panel	Clear	Right Side		
83	DCA434GR23	Glass panel	Smoked	Left Side		
84	DCA434GR24	Glass panel	Smoked	Right Side		
85	DCA434GR25	Glass panel	Green	Left Side		
86	DCA434GR26	Glass panel	Green	Right Side		
87	DCA434GR27	Glass panel	Bronze	Left Side		
88	DCA434GR28	Glass panel	Bronze	Right Side		
89	DCA434GR29	Glass panel	Clear	Left Side	Balustrade Heights 1000mm 3 Flat steps	
90	DCA434GR30	Glass panel	Clear	Right Side		
91	DCA434GR31	Glass panel	Smoked	Left Side		
92	DCA434GR32	Glass panel	Smoked	Right Side		
93	DCA434GR33	Glass panel	Green	Left Side		
94	DCA434GR34	Glass panel	Green	Right Side		
95	DCA434GR35	Glass panel	Bronze	Left Side		
96	DCA434GR36	Glass panel	Bronze	Right Side		

**OTIS 508NCE ANSI
Escalator
Balustrade Glass/Interior Panel**

**Spare Parts Leaflet
57-DBA26228BQ**



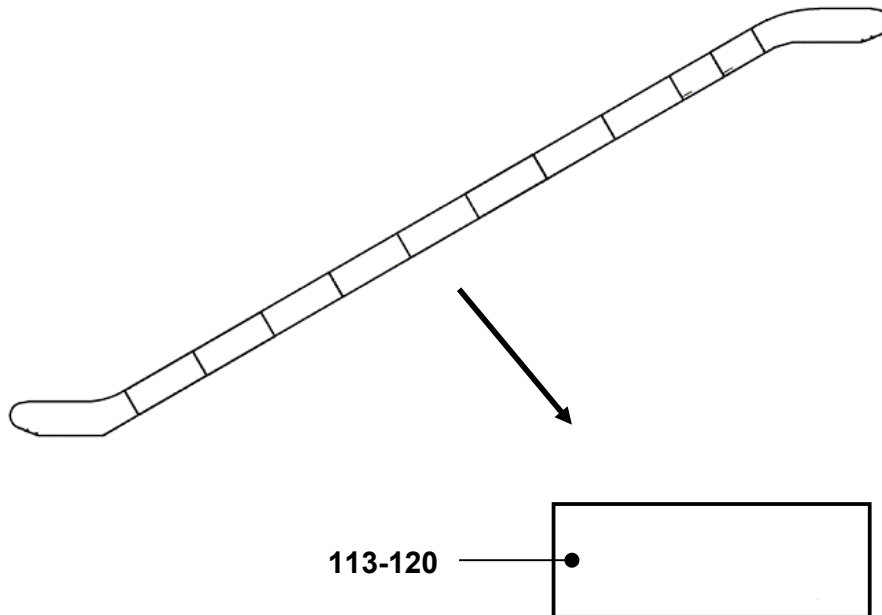
DBA26228BQ								
REF. No.	PART No.	DESCRIPTION						
97	DCA434GS21	Glass panel	Clear	Left Side	Balustrade Heights 1000mm 2 Flat steps	ANSI 30°		
98	DCA434GS22	Glass panel	Clear	Right Side				
99	DCA434GS23	Glass panel	Smoked	Left Side				
100	DCA434GS24	Glass panel	Smoked	Right Side				
101	DCA434GS25	Glass panel	Green	Left Side				
102	DCA434GS26	Glass panel	Green	Right Side				
103	DCA434GS27	Glass panel	Bronze	Left Side				
104	DCA434GS28	Glass panel	Bronze	Right Side				
105	DCA434GS29	Glass panel	Clear	Left Side			Balustrade Heights 1000mm 3 Flat steps	ANSI 30°
106	DCA434GS30	Glass panel	Clear	Right Side				
107	DCA434GS31	Glass panel	Smoked	Left Side				
108	DCA434GS32	Glass panel	Smoked	Right Side				
109	DCA434GS33	Glass panel	Green	Left Side				
110	DCA434GS34	Glass panel	Green	Right Side				
111	DCA434GS35	Glass panel	Bronze	Left Side				
112	DCA434GS36	Glass panel	Bronze	Right Side				

**OTIS 508NCE ANSI
Escalator
Balustrade Glass/Interior Panel**

**Spare Parts Leaflet
57-DBA26228BQ**

with illumination

GLASS JOINTS PERPENDICULAR TO STEP NOSE LINE



DBA26228BQ		INCLINED SECTION				
REF. No.	PART No.	DESCRIPTION				
113	DCA434DT5	Glass panel	Clear	Length=2000mm	Balustrade Heights 1000mm	ANSI 30°
114	DCA434DT6	Glass panel	Smoked	Length=2000mm		
115	DCA434DT7	Glass panel	Green	Length=2000mm		
116	DCA434DT8	Glass panel	Bronze	Length=2000mm		
117	DCA434DT-V5	Glass panel	Clear	Per Spec.		
118	DCA434DT-V6	Glass panel	Smoked	Per Spec.		
119	DCA434DT-V7	Glass panel	Green	Per Spec.		
120	DCA434DT-V8	Glass panel	Bronze	Per Spec.		

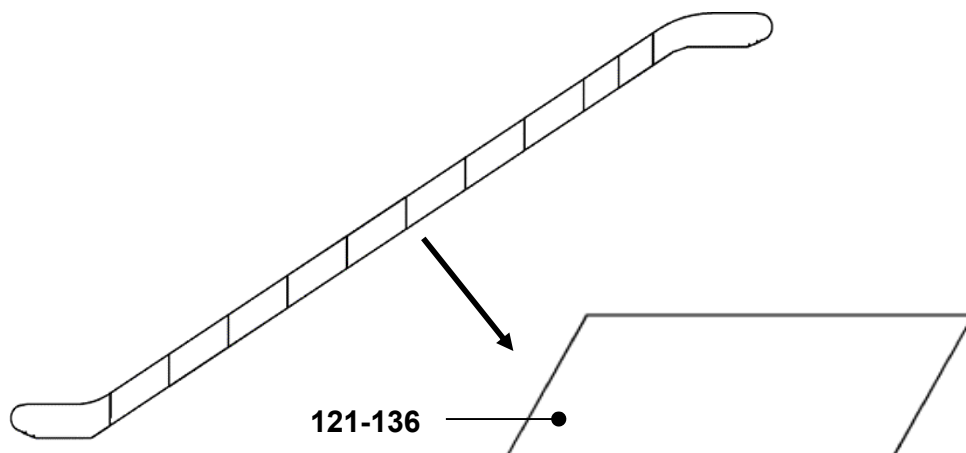
OTIS 508NCE ANSI Escalator

Balustrade Glass/Interior Panel

**Spare Parts Leaflet
57-DBA26228BQ**

with illumination

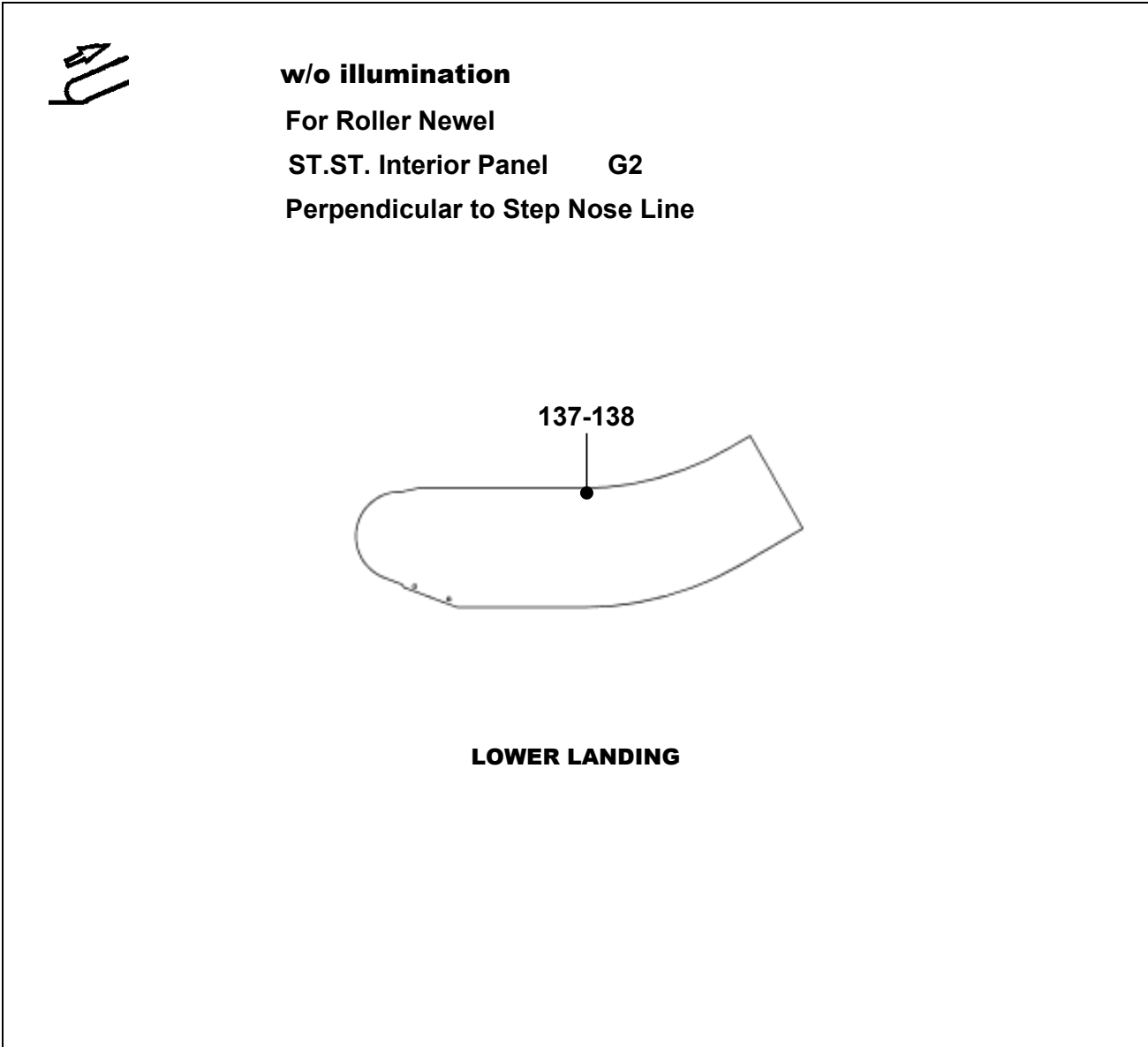
GLASS JOINTS PERPENDICULAR TO FLOOR PLATE



DBA26228BQ		INCLINED SECTION					
REF. No.	PART No.	DESCRIPTION					
121	DCA434DS17	Glass panel	Clear	Left Side	Length=1732mm	Balustrade Heights 1000mm	ANSI 30°
122	DCA434DS18	Glass panel	Clear	Right Side	Length=1732mm		
123	DCA434DS19	Glass panel	Smoked	Left Side	Length=1732mm		
124	DCA434DS20	Glass panel	Smoked	Right Side	Length=1732mm		
125	DCA434DS21	Glass panel	Green	Left Side	Length=1732mm		
126	DCA434DS22	Glass panel	Green	Right Side	Length=1732mm		
127	DCA434DS23	Glass panel	Bronze	Left Side	Length=1732mm		
128	DCA434DS24	Glass panel	Bronze	Right Side	Length=1732mm		
129	DCA434DS-V17	Glass panel	Clear	Left Side	Per Spec.		
130	DCA434DS-V18	Glass panel	Clear	Right Side	Per Spec.		
131	DCA434DS-V19	Glass panel	Smoked	Left Side	Per Spec.		
132	DCA434DS-V20	Glass panel	Smoked	Right Side	Per Spec.		
133	DCA434DS-V21	Glass panel	Green	Left Side	Per Spec.		
134	DCA434DS-V22	Glass panel	Green	Right Side	Per Spec.		
135	DCA434DS-V23	Glass panel	Bronze	Left Side	Per Spec.		
136	DCA434DS-V24	Glass panel	Bronze	Right Side	Per Spec.		

**OTIS 508NCE ANSI
Escalator
Balustrade Glass/Interior Panel**

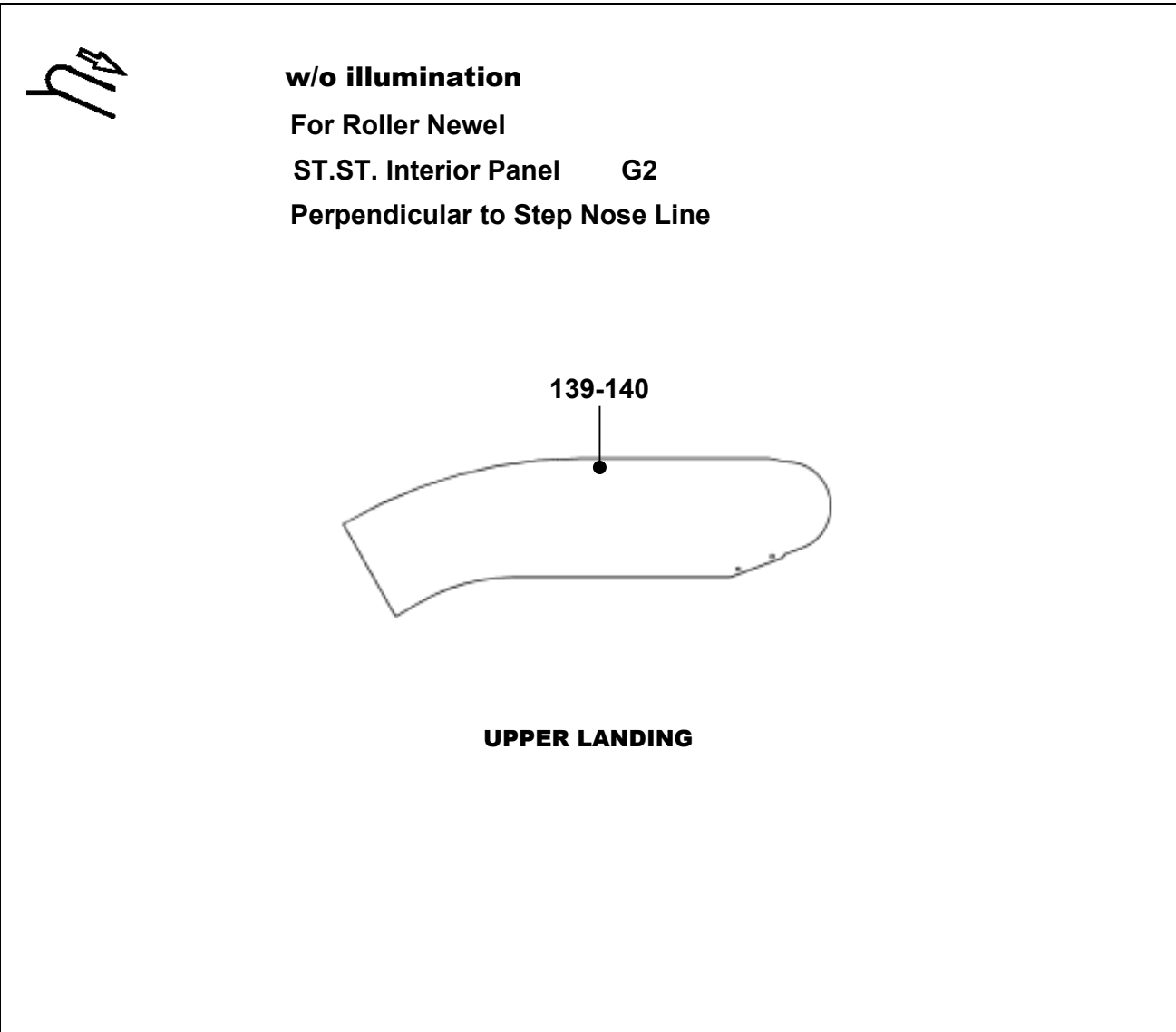
**Spare Parts Leaflet
57-DBA26228BQ**



DBA26228BQ					
REF. No.	PART No.	DESCRIPTION			
137	DBA434GT1	Interior panel	G2	Balustrade Heights 1000m 2 Flat steps	ANSI 30°
138	DBA434GT2	Interior panel	G2	Balustrade Heights 1000mm 3 Flat steps	

**OTIS 508NCE ANSI
Escalator
Balustrade Glass/Interior Panel**

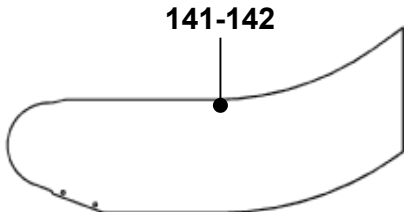
**Spare Parts Leaflet
57-DBA26228BQ**



DBA26228BQ					
REF. No.	PART No.	DESCRIPTION			
139	DBA434GV1	Interior panel	G2	Balustrade Heights 1000mm	ANSI 30°
				2 Flat steps	
140	DBA434GV2	Interior panel	G2	Balustrade Heights 1000mm	
				3 Flat steps	

**OTIS 508NCE ANSI
Escalator
Balustrade Glass/Interior Panel**

**Spare Parts Leaflet
57-DBA26228BQ**



w/o illumination
For Roller Newel
ST.ST. Interior Panel G2
Perpendicular to Floor Line

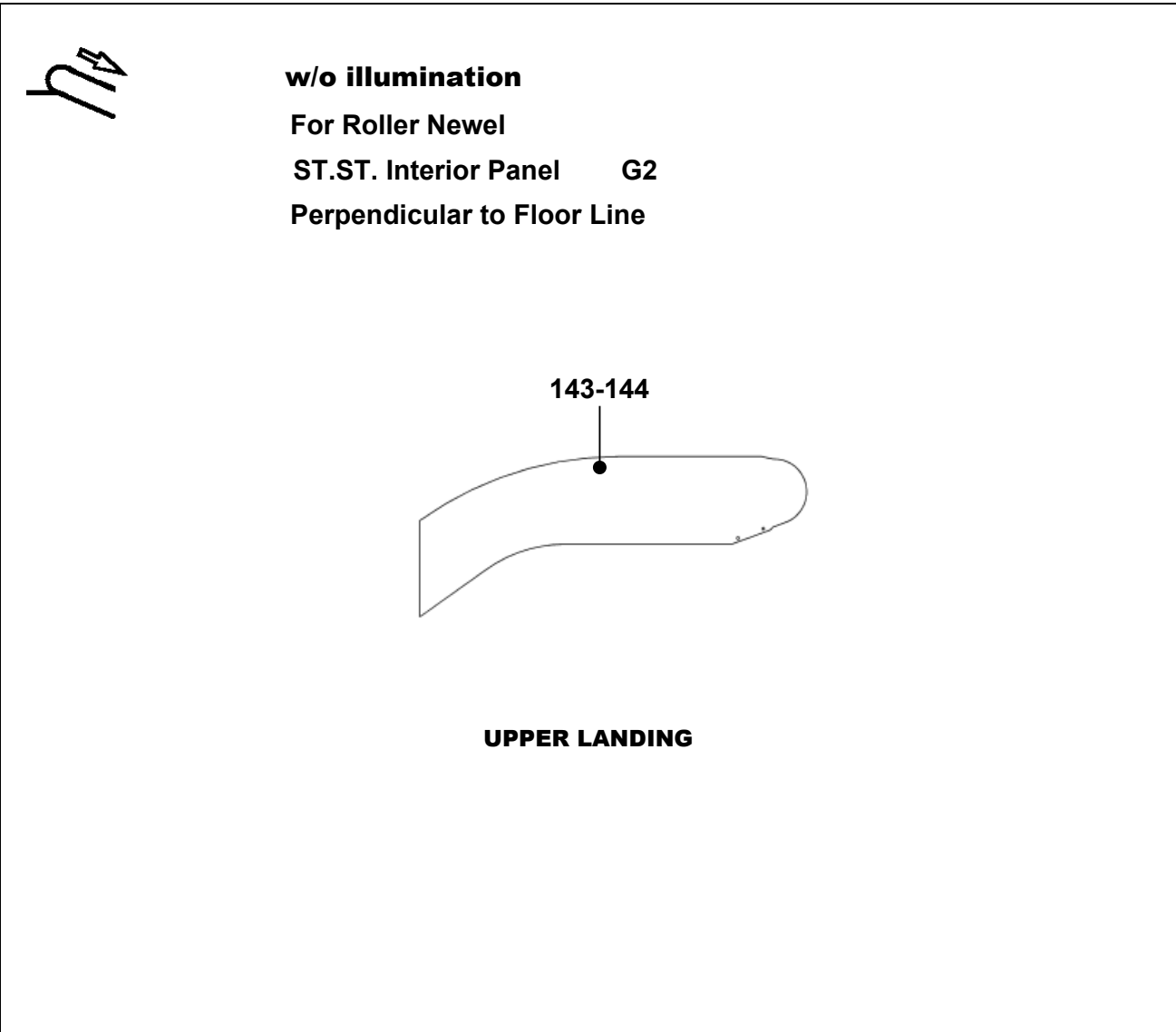
141-142

LOWER LANDING

DBA26228BQ					
REF. No.	PART No.	DESCRIPTION			
141	DBA434GW1	Interior panel	G2	Balustrade Heights 1000m 2 Flat steps	ANSI 30°
142	DBA434GW2	Interior panel	G2	Balustrade Heights 1000mm 3 Flat steps	

**OTIS 508NCE ANSI
Escalator
Balustrade Glass/Interior Panel**

**Spare Parts Leaflet
57-DBA26228BQ**



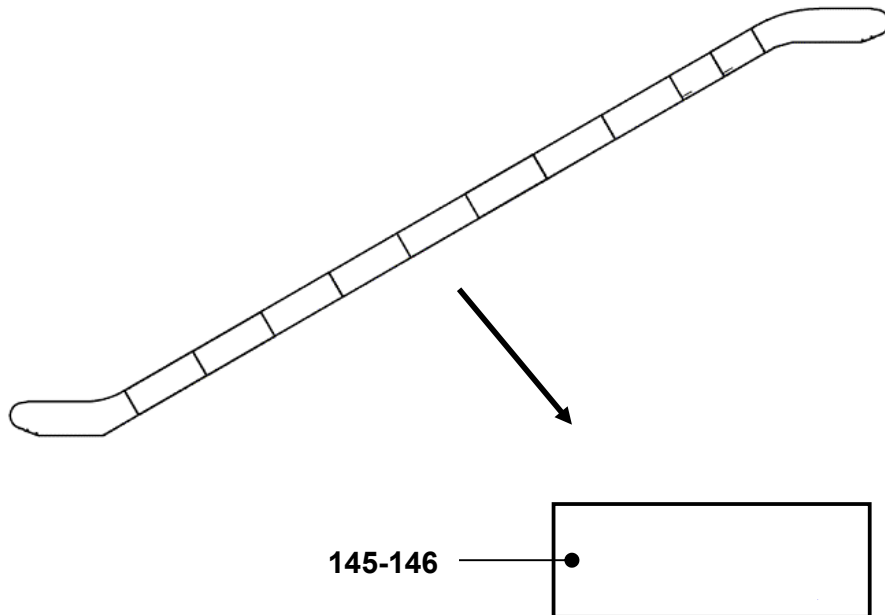
DBA26228BQ					
REF. No.	PART No.	DESCRIPTION			
143	DBA434GX1	Interior panel	G2	Balustrade Heights 1000mm	ANSI 30°
				2 Flat steps	
144	DBA434GX2	Interior panel	G2	Balustrade Heights 1000mm	
				3 Flat steps	

**OTIS 508NCE ANSI
Escalator
Balustrade Glass/Interior Panel**

**Spare Parts Leaflet
57-DBA26228BQ**

w/o illumination

**GLASS JOINTS PERPENDICULAR TO STEP NOSE LINE
ST.ST. INTERIOR PANEL**



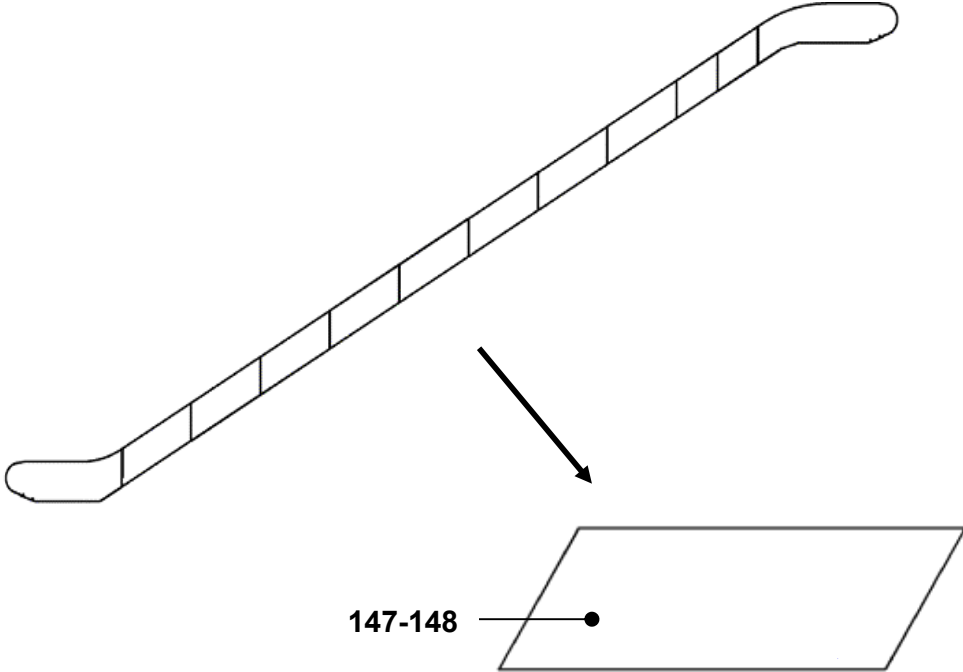
DBA26228BQ		INCLINED SECTION				
REF. No.	PART No.	DESCRIPTION				
145	DBA434GY1	Interior panel	G2	Length=2000mm	Balustrade Heights 1000mm	ANSI 30°
146	DBA434GY-V1	Interior panel	G2	Per Spec.		

**OTIS 508NCE ANSI
Escalator
Balustrade Glass/Interior Panel**

**Spare Parts Leaflet
57-DBA26228BQ**

w/o illumination

**GLASS JOINTS PERPENDICULAR TO FLOOR PLATE
ST.ST. INTERIOR PANEL**



DBA26228BQ		INCLINED SECTION				
REF. No.	PART No.	DESCRIPTION				
147	DBA434GZ1	Interior panel	G2	Length=1732mm	Balustrade Heights 1000mm	ANSI 30°
148	DBA434GZ-V1	Interior panel	G2	Per Spec.		