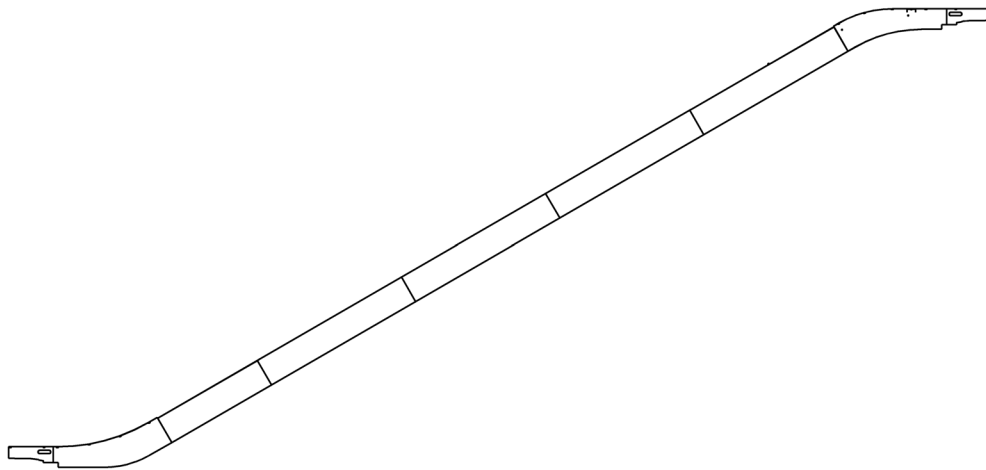
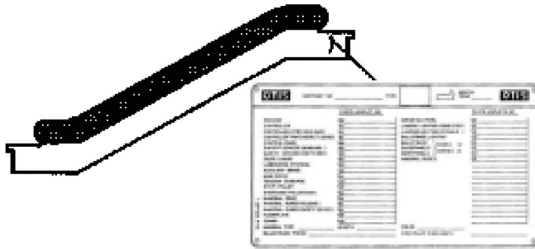


**508NCE / 512NCE-ANSI  
ESCALATOR Skirt Panel**

**Spare Parts Leaflet**

**57-DBA26228EK**

**Mar. 13, 2019, Page 1 of 74**



**Notes:**

The 'left side' and 'right side' is defined when passenger stands at the lower landing, facing the escalator

**OTIS**

**Safety First!**

**ESCALATOR ENGINEERING  
Otis Elevator Company  
SIT GUANGZHOU**

## Leaflet Description

Skirt panel

- 508NCE-ANSI

- 512NCE-ANSI

## Leaflet Revisions

<b>Date Revised</b>	<b>Subject Matter Expert</b>	<b>Reason for Revision</b>
2019-03-13	Li, Sien	Original document

## Related Drawings

<b>Drawing No.</b>	<b>Title</b>	<b>Drawing No.</b>	<b>Title</b>
DBA26228EK	Skirt Panel		

## Related Documents

<b>Document ID</b>	<b>Title</b>
ODS DBA27076NQ	Skirt Panel

## Subject Matter Expert

<b>Name</b>	<b>Department</b>
Lei, Detian	SIT-GUANGZHOU

## About Spare Parts Leaflets

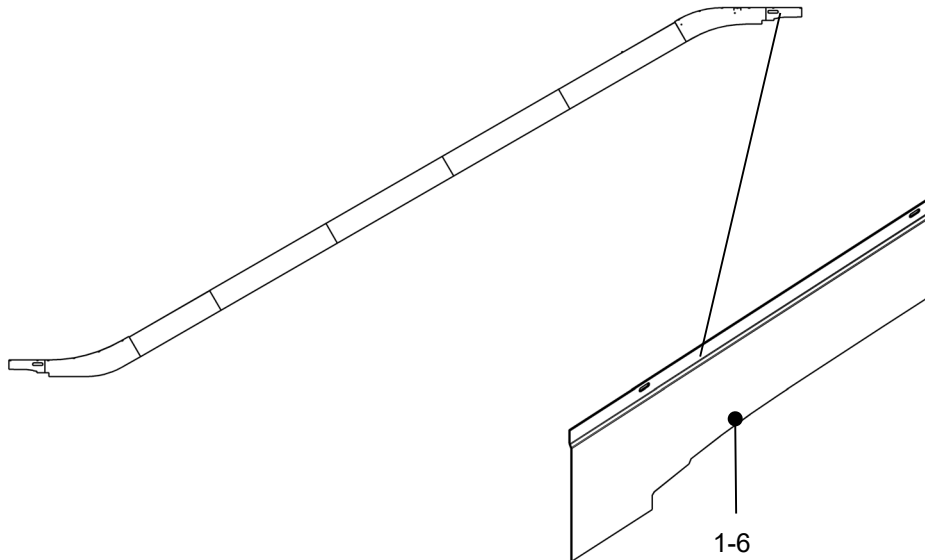
This document lists the lowest replaceable units (LRUs) for the standard version of the product. The LRUs are chosen by a team of Otis associates representing engineering and manufacturing.

While goal of this document is to make parts identification as easy as possible, the document cannot be all-inclusive. Elevator and escalator contracts classified as "special" or "custom" are not addressed here. For such contracts, please refer to specified information, the contract folder, TIPs, Field Education Articles, Construction Letters, etc. for further information.

If you have any suggestions about this document, please contact the subject matter expert listed on this page.

First skirt panel, w/o brush lighting, for

- 508NCE-ANSI, Surface finish “low friction powder coating black” ;
- 512NCE-ANSI, Surface finish “low friction powder coating black” .



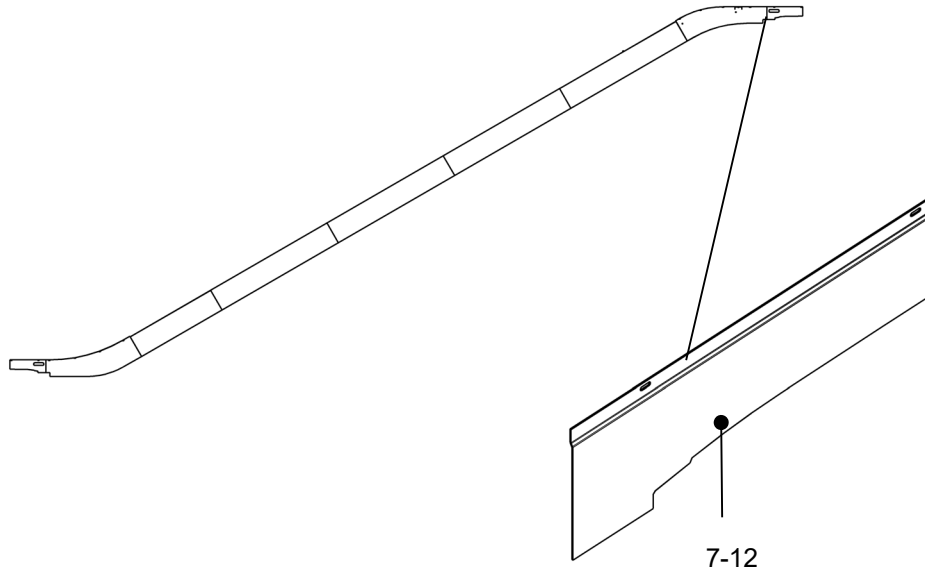
DBA26228EK		UPPER LANDING = UL	
REF. No.	PART No.	DESCRIPTION	TYPE
1	DAA438TX1	First skirt panel, w/o comb lighting & w/o skirt panel lighting, UL Left side.	2&3 flat steps
2	DAA438TX2	First skirt panel, w/o comb lighting & w/o skirt panel lighting, UL Right side.	
3	DAA438TX5	First skirt panel, w/o comb lighting & w/ skirt panel lighting, UL Left side.	
4	DAA438TX6	First skirt panel, w/o comb lighting & w/ skirt panel lighting, UL Right side.	
5	DAA438TX9	First skirt panel, w/ comb lighting & w/o skirt panel lighting, UL Left side.	
6	DAA438TX10	First skirt panel, w/ comb lighting & w/o skirt panel lighting, UL Right side.	

**508NCE / 512NCE ESCALATOR  
Skirt Panel**

**57-DBA26228EK**

First skirt panel, w/o brush lighting, for

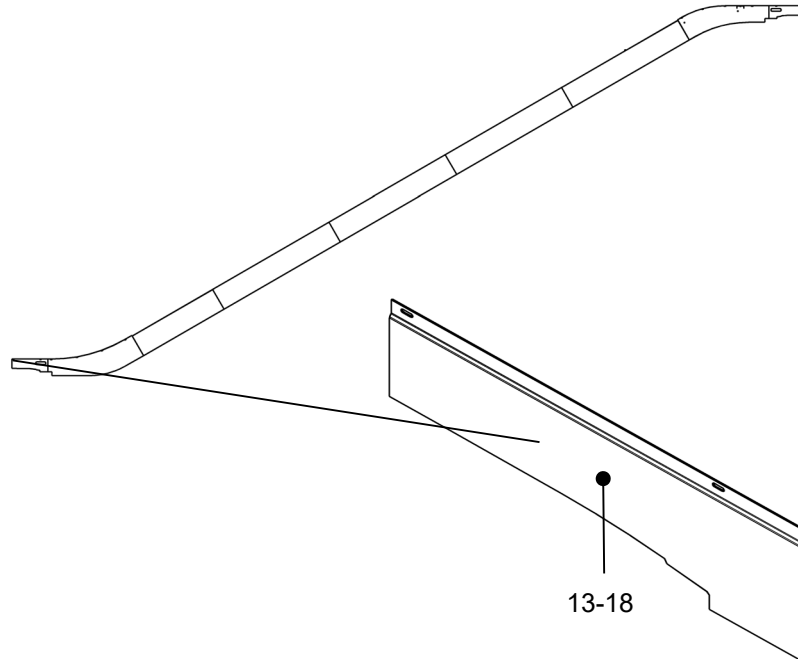
- 508NCE-ANSI, Surface finish “G2 + low friction powder coating transparent” ;
- 512NCE-ANSI, Surface finish “G2 + low friction powder coating transparent” .



DBA26228EK		UPPER LANDING = UL	
REF. No.	PART No.	DESCRIPTION	TYPE
7	DAA438TX13	First skirt panel, w/o comb lighting & w/o skirt panel lighting, UL Left side.	2&3 flat steps
8	DAA438TX14	First skirt panel, w/o comb lighting & w/o skirt panel lighting, UL Right side.	
9	DAA438TX17	First skirt panel, w/o comb lighting & w/ skirt panel lighting, UL Left side.	
10	DAA438TX18	First skirt panel, w/o comb lighting & w/ skirt panel lighting, UL Right side.	
11	DAA438TX21	First skirt panel, w/ comb lighting & w/o skirt panel lighting, UL Left side.	
12	DAA438TX22	First skirt panel, w/ comb lighting & w/o skirt panel lighting, UL Right side.	

First skirt panel, w/o brush lighting, for

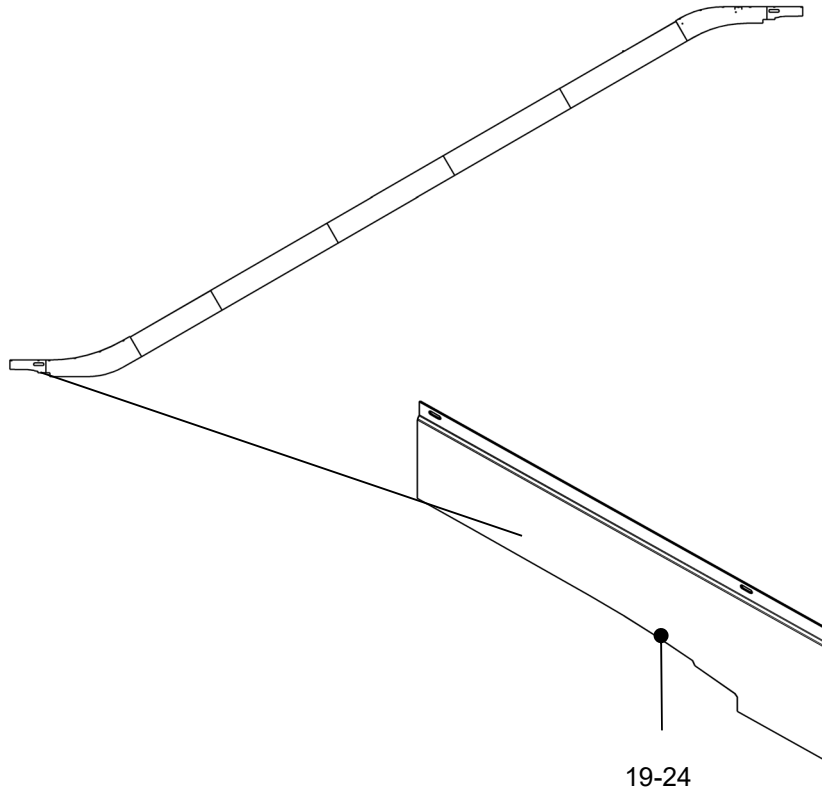
- 508NCE-ANSI, Surface finish “low friction powder coating black” .



DBA26228EK		LOWER LANDING = LL	
REF. No.	PART No.	DESCRIPTION	TYPE
13	DAA438TX3	First skirt panel, w/o comb lighting & w/o skirt panel lighting, LL Left side.	2&3 flat steps
14	DAA438TX4	First skirt panel, w/o comb lighting & w/o skirt panel lighting, LL Right side.	
15	DAA438TX7	First skirt panel, w/o comb lighting & w/ skirt panel lighting, LL Left side.	
16	DAA438TX8	First skirt panel, w/o comb lighting & w/ skirt panel lighting, LL Right side.	
17	DAA438TX11	First skirt panel, w/ comb lighting & w/o skirt panel lighting, LL Left side.	
18	DAA438TX12	First skirt panel, w/ comb lighting & w/o skirt panel lighting, LL Right side.	

First skirt panel, w/o brush lighting, for

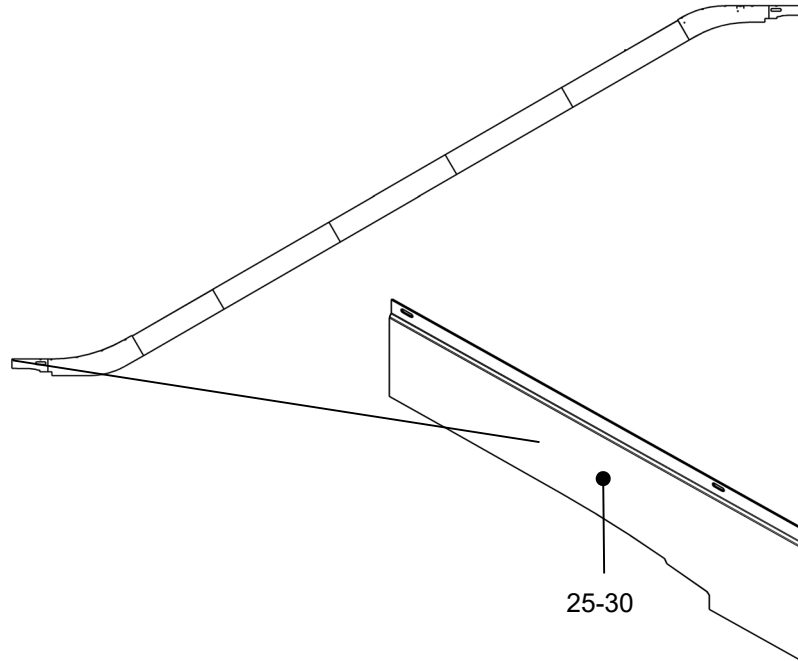
- 508NCE-ANSI, Surface finish “G2 + low friction powder coating transparent” .



DBA26228EK		LOWER LANDING = LL	
REF. No.	PART No.	DESCRIPTION	TYPE
19	DAA438TX15	First skirt panel, w/o comb lighting & w/o skirt panel lighting, LL Left side.	2&3 flat steps
20	DAA438TX16	First skirt panel, w/o comb lighting & w/o skirt panel lighting, LL Right side.	
21	DAA438TX19	First skirt panel, w/o comb lighting & w/ skirt panel lighting, LL Left side.	
22	DAA438TX20	First skirt panel, w/o comb lighting & w/ skirt panel lighting, LL Right side.	
23	DAA438TX23	First skirt panel, w/ comb lighting & w/o skirt panel lighting, LL Left side.	
24	DAA438TX24	First skirt panel, w/ comb lighting & w/o skirt panel lighting, LL Right side.	

First skirt panel, w/o brush lighting, for

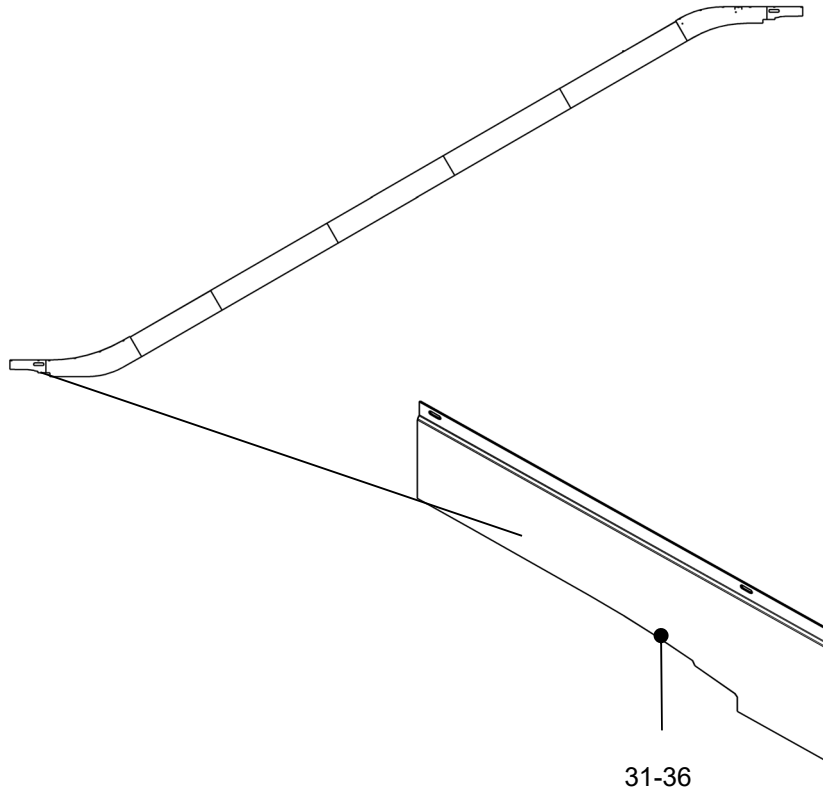
- 512NCE-ANSI, Surface finish “low friction powder coating black” .



DBA26228EK		LOWER LANDING = LL	
REF. No.	PART No.	DESCRIPTION	TYPE
25	DAA438TX1	First skirt panel, w/o comb lighting & w/o skirt panel lighting, LL Left side.	2&3 flat steps
26	DAA438TX2	First skirt panel, w/o comb lighting & w/o skirt panel lighting, LL Right side.	
27	DAA438TX5	First skirt panel, w/o comb lighting & w/ skirt panel lighting, LL Left side.	
28	DAA438TX6	First skirt panel, w/o comb lighting & w/ skirt panel lighting, LL Right side.	
29	DAA438TX9	First skirt panel, w/ comb lighting & w/o skirt panel lighting, LL Left side.	
30	DAA438TX10	First skirt panel, w/ comb lighting & w/o skirt panel lighting, LL Right side.	

First skirt panel, w/o brush lighting, for

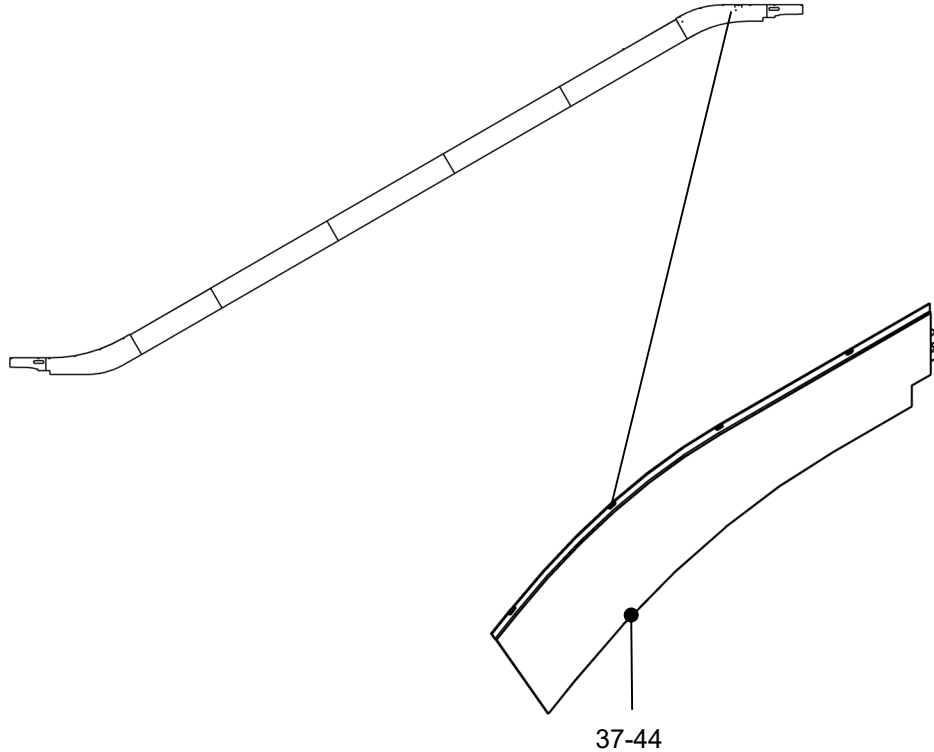
- 512NCE-ANSI, Surface finish “G2 + low friction powder coating transparent” .



DBA26228EK		LOWER LANDING = LL	
REF. No.	PART No.	DESCRIPTION	TYPE
31	DAA438TX13	First skirt panel, w/o comb lighting & w/o skirt panel lighting, LL Left side.	2&3 flat steps
32	DAA438TX14	First skirt panel, w/o comb lighting & w/o skirt panel lighting, LL Right side.	
33	DAA438TX17	First skirt panel, w/o comb lighting & w/ skirt panel lighting, LL Left side.	
34	DAA438TX18	First skirt panel, w/o comb lighting & w/ skirt panel lighting, LL Right side.	
35	DAA438TX21	First skirt panel, w/ comb lighting & w/o skirt panel lighting, LL Left side.	
36	DAA438TX22	First skirt panel, w/ comb lighting & w/o skirt panel lighting, LL Right side.	



Curve panel, w/o brush lighting / with black or silver brush holder, for  
 - 508NCE-ANSI ONLY, Surface finish “low friction powder coating black” .



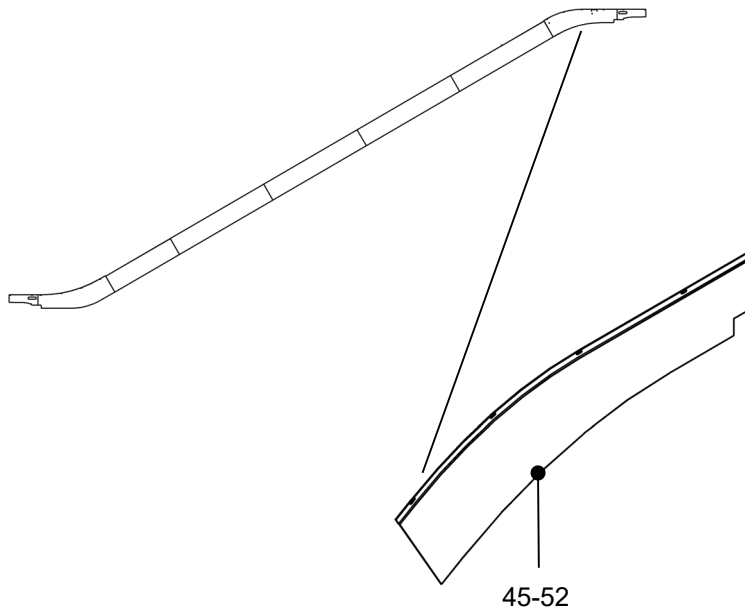
DBA26228EK		UPPER LANDING = UL	
REF. No.	PART No.	DESCRIPTION	TYPE
37	DAA438ADD1	Curve panel, w/o skirt panel lighting, w/ETA, UL, Left side.	2 flat steps
38	DAA438ADD2	Curve panel, w/o skirt panel lighting, w/ETA, UL, Right side	
39	DAA438ADD5	Curve panel, w/ skirt panel lighting, w/ETA, UL, Left side.	
40	DAA438ADD6	Curve panel, w/ skirt panel lighting, w/ETA, UL, Right side	3 flat steps
41	DAA438ADD3	Curve panel, w/o skirt panel lighting, w/ETA, UL, Left side.	
42	DAA438ADD4	Curve panel, w/o skirt panel lighting, w/ETA, UL, Right side.	
43	DAA438ADD7	Curve panel, w/ skirt panel lighting, w/ETA, UL, Left side.	
44	DAA438ADD8	Curve panel, w/ skirt panel lighting, w/ETA, UL, Right side.	

**508NCE / 512NCE ESCALATOR  
Skirt Panel**

**57-DBA26228EK**

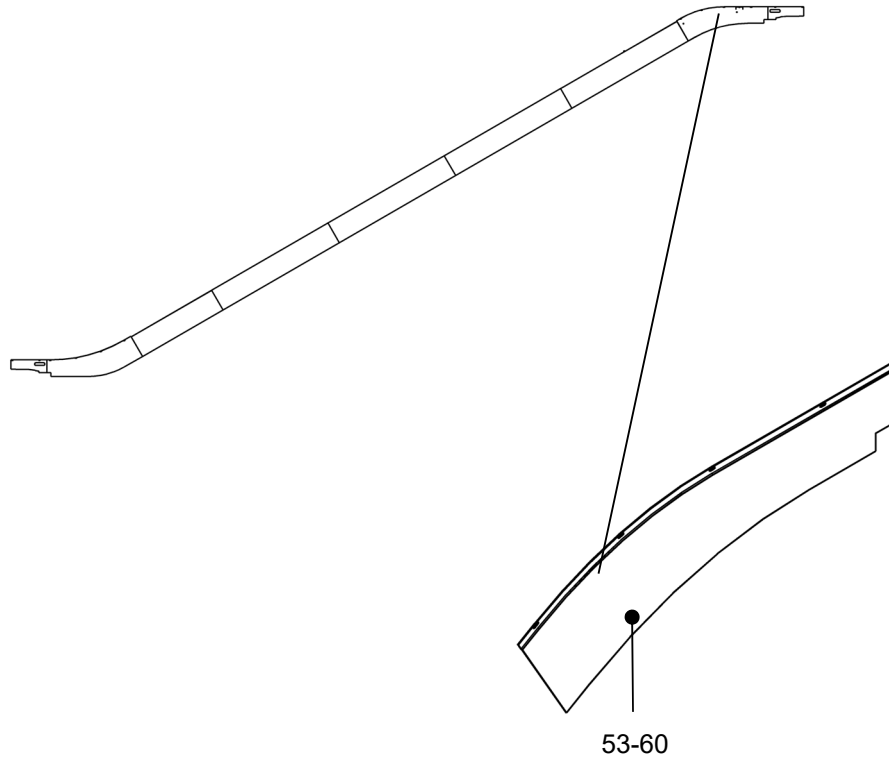
Curve panel, w/o brush lighting / with black or silver brush holder, for

- 508NCE-ANSI ONLY, Surface finish “G2 + low friction powder coating transparent”



DBA26228EK		UPPER LANDING = UL	
REF. No.	PART No.	DESCRIPTION	TYPE
45	DAA438ADD9	Curve panel, w/o skirt panel lighting, w/ETA, UL, Left side.	2 flat steps
46	DAA438ADD10	Curve panel, w/o skirt panel lighting, w/ETA, UL, Right side	
47	DAA438ADD13	Curve panel, w/ skirt panel lighting, w/ETA, UL, Left side.	
48	DAA438ADD14	Curve panel, w/ skirt panel lighting, w/ETA, UL, Right side	3 flat steps
49	DAA438ADD11	Curve panel, w/o skirt panel lighting, w/ETA, UL, Left side.	
50	DAA438ADD12	Curve panel, w/o skirt panel lighting, w/ETA, UL, Right side.	
51	DAA438ADD15	Curve panel, w/ skirt panel lighting, w/ETA, UL, Left side.	
52	DAA438ADD16	Curve panel, w/ skirt panel lighting, w/ETA, UL, Right side.	

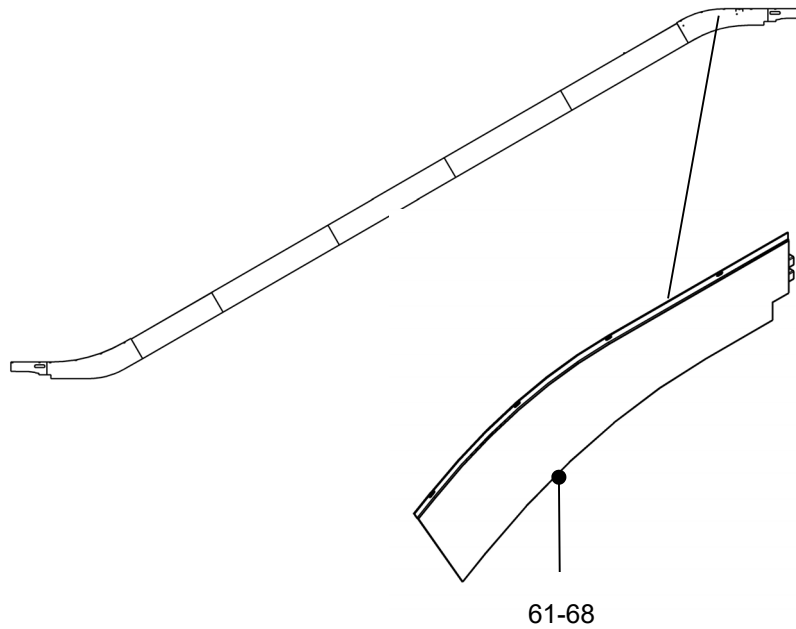
Curve panel, w/o brush lighting / with black or silver brush holder, for  
 - 512NCE-ANSI, Surface finish “low friction powder coating black” .



DBA26228EK		UPPER LANDING = UL	
REF. No.	PART No.	DESCRIPTION	TYPE
53	DAA438ADD17	Curve panel, w/o skirt panel lighting, w/ETA, UL, Left side.	2 flat steps
54	DAA438ADD18	Curve panel, w/o skirt panel lighting, w/ETA, UL, Right side	
55	DAA438ADD21	Curve panel, w/ skirt panel lighting, w/ETA, UL, Left side.	
56	DAA438ADD22	Curve panel, w/ skirt panel lighting, w/ETA, UL, Right side	
57	DAA438ADD19	Curve panel, w/o skirt panel lighting, w/ETA, UL, Left side.	3 flat steps
58	DAA438ADD20	Curve panel, w/o skirt panel lighting, w/ETA, UL, Right side.	
59	DAA438ADD23	Curve panel, w/ skirt panel lighting, w/ETA, UL, Left side.	
60	DAA438ADD24	Curve panel, w/ skirt panel lighting, w/ETA, UL, Right side.	

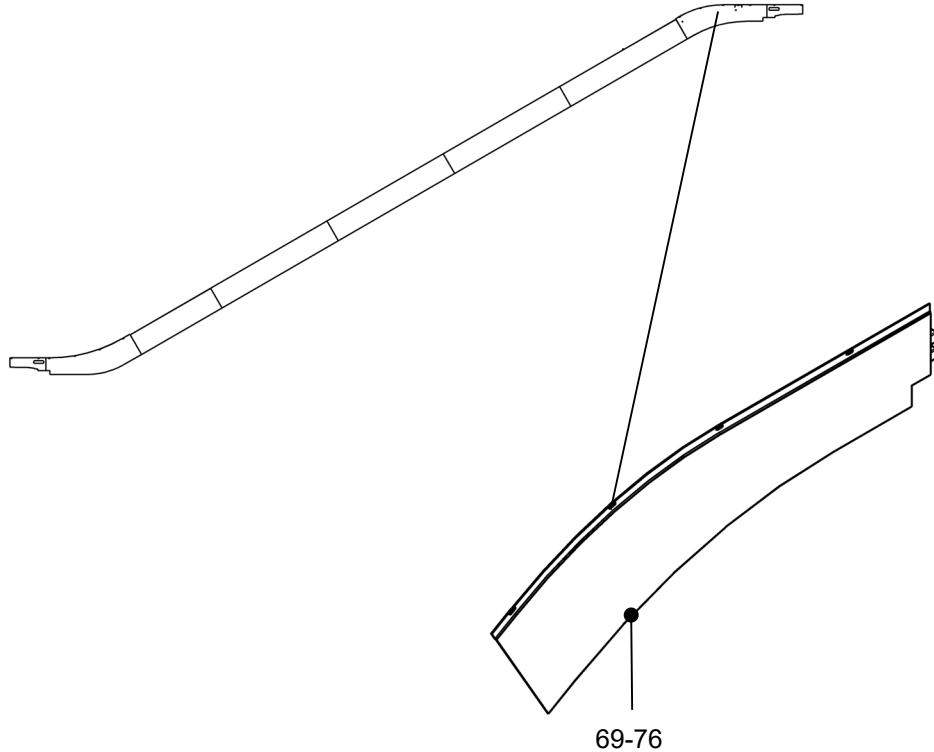
Curve panel, w/o brush lighting / with black or silver brush holder, for

- 512NCE-ANSI, Surface finish “G2 + low friction powder coating transparent” .



DBA26228EK		UPPER LANDING = UL	
REF. No.	PART No.	DESCRIPTION	TYPE
61	DAA438ADD25	Curve panel, w/o skirt panel lighting, w/ETA, UL, Left side.	2 flat steps
62	DAA438ADD26	Curve panel, w/o skirt panel lighting, w/ETA, UL, Right side	
63	DAA438ADD29	Curve panel, w/ skirt panel lighting, w/ETA, UL, Left side.	3 flat steps
64	DAA438ADD30	Curve panel, w/ skirt panel lighting, w/ETA, UL, Right side	
65	DAA438ADD27	Curve panel, w/o skirt panel lighting, w/ETA, UL, Left side.	3 flat steps
66	DAA438ADD28	Curve panel, w/o skirt panel lighting, w/ETA, UL, Right side.	
67	DAA438ADD31	Curve panel, w/ skirt panel lighting, w/ETA, UL, Left side.	
68	DAA438ADD32	Curve panel, w/ skirt panel lighting, w/ETA, UL, Right side.	

Curve panel, w/o brush lighting / with black or silver brush holder, for  
 - 508NCE-ANSI, Surface finish “low friction powder coating black” .

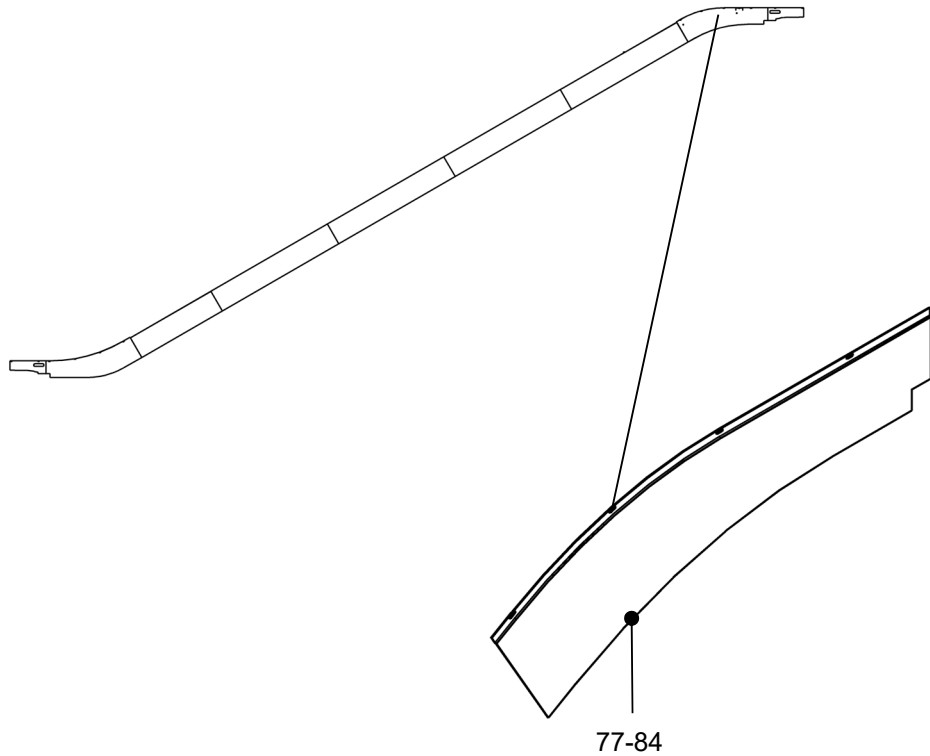


DBA26228EK		UPPER LANDING = UL	
REF. No.	PART No.	DESCRIPTION	TYPE
69	DAA438ADD33	Curve panel, w/o skirt panel lighting, w/ETA, UL, Left side.	2 flat steps
70	DAA438ADD34	Curve panel, w/o skirt panel lighting, w/ETA, UL, Right side	
71	DAA438ADD37	Curve panel, w/ skirt panel lighting, w/ETA, UL, Left side.	
72	DAA438ADD38	Curve panel, w/ skirt panel lighting, w/ETA, UL, Right side	
73	DAA438ADD35	Curve panel, w/o skirt panel lighting, w/ETA, UL, Left side.	3 flat steps
74	DAA438ADD36	Curve panel, w/o skirt panel lighting, w/ETA, UL, Right side.	
75	DAA438ADD39	Curve panel, w/ skirt panel lighting, w/ETA, UL, Left side.	
76	DAA438ADD40	Curve panel, w/ skirt panel lighting, w/ETA, UL, Right side.	

**508NCE / 512NCE ESCALATOR  
Skirt Panel**

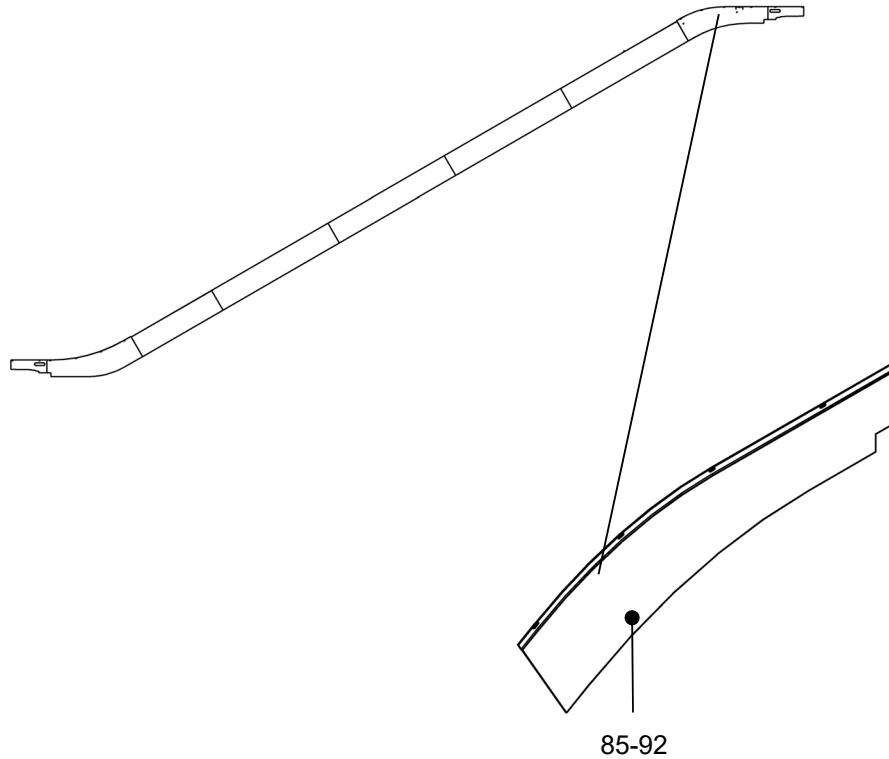
**57-DBA26228EK**

Curve panel, w/o brush lighting / with black or silver brush holder, for  
 - 508NCE-ANSI, Surface finish “G2 + low friction powder coating transparent” .



DBA26228EK		UPPER LANDING = UL	
REF. No.	PART No.	DESCRIPTION	TYPE
77	DAA438ADD41	Curve panel, w/o skirt panel lighting, w/ETA, UL, Left side.	2 flat steps
78	DAA438ADD42	Curve panel, w/o skirt panel lighting, w/ETA, UL, Right side	
79	DAA438ADD45	Curve panel, w/ skirt panel lighting, w/ETA, UL, Left side.	
80	DAA438ADD46	Curve panel, w/ skirt panel lighting, w/ETA, UL, Right side	3 flat steps
81	DAA438ADD43	Curve panel, w/o skirt panel lighting, w/ETA, UL, Left side.	
82	DAA438ADD44	Curve panel, w/o skirt panel lighting, w/ETA, UL, Right side.	
83	DAA438ADD47	Curve panel, w/ skirt panel lighting, w/ETA, UL, Left side.	
84	DAA438ADD48	Curve panel, w/ skirt panel lighting, w/ETA, UL, Right side.	

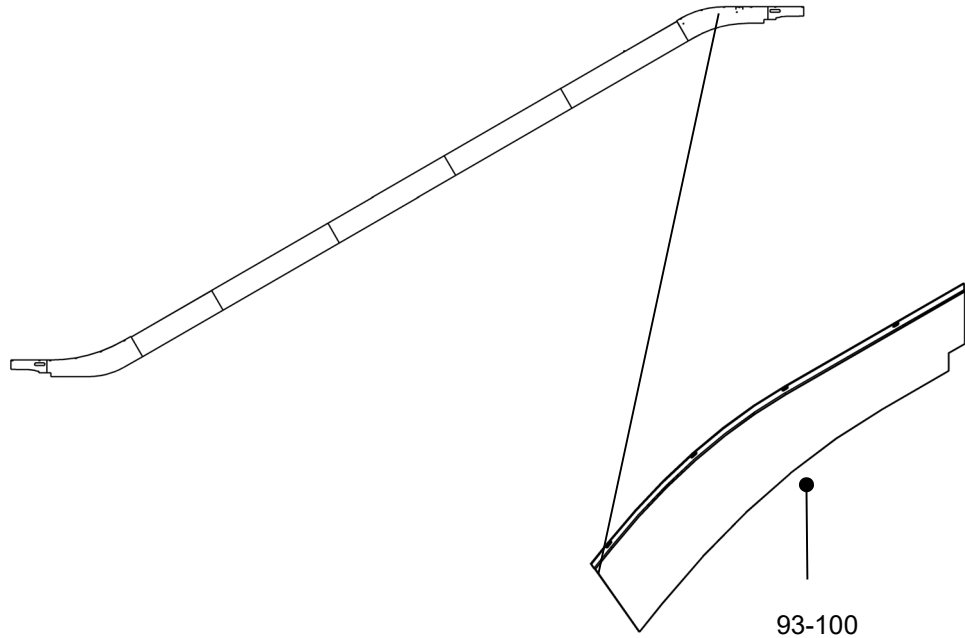
Curve panel, w/o brush lighting / with black or silver brush holder, for  
 - 512NCE-ANSI, Surface finish “low friction powder coating black” .



DBA26228EK		UPPER LANDING = UL	
REF. No.	PART No.	DESCRIPTION	TYPE
85	DAA438ADD49	Curve panel, w/o skirt panel lighting, w/o ETA, UL, Left side.	2 flat steps
86	DAA438ADD50	Curve panel, w/o skirt panel lighting, w/o ETA, UL , Right side	
87	DAA438ADD53	Curve panel, w/ skirt panel lighting, w/o ETA, UL , Left side.	
88	DAA438ADD54	Curve panel, w/ skirt panel lighting, w/o ETA, UL , Right side	3 flat steps
89	DAA438ADD51	Curve panel, w/o skirt panel lighting, w/o ETA, UL , Left side.	
90	DAA438ADD52	Curve panel, w/o skirt panel lighting, w/o ETA, UL , Right side.	
91	DAA438ADD55	Curve panel, w/ skirt panel lighting, w/o ETA, UL , Left side.	
92	DAA438ADD56	Curve panel, w/ skirt panel lighting, w/o ETA, UL , Right side.	

Curve panel, w/o brush lighting / with black or silver brush holder, for

- 512NCE-ANSI, Surface finish “G2 + low friction powder coating transparent” .

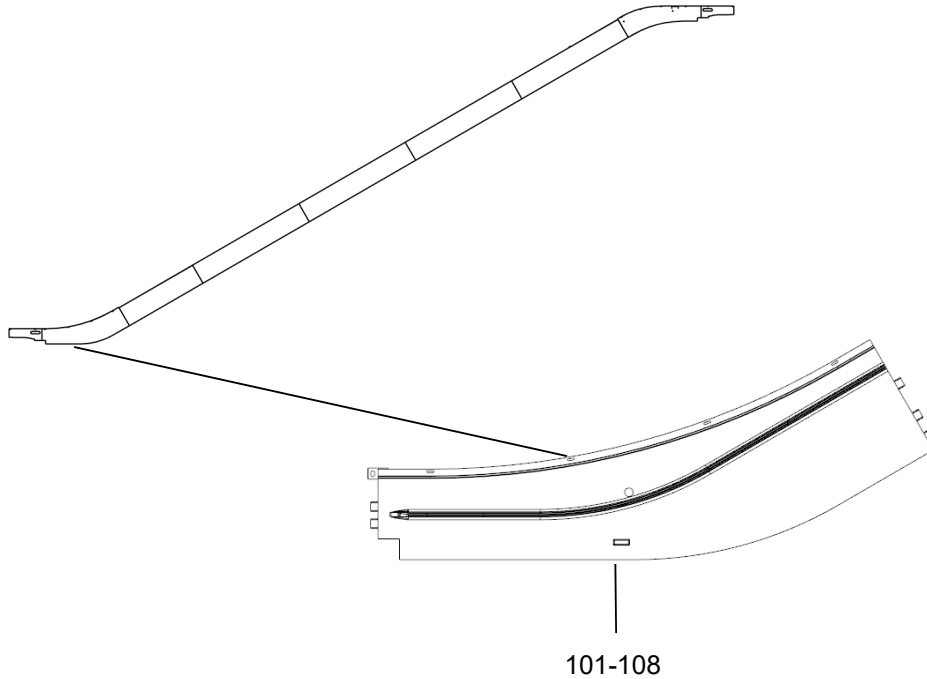


DBA26228EK		UPPER LANDING = UL	
REF. No.	PART No.	DESCRIPTION	TYPE
93	DAA438ADD57	Curve panel, w/o skirt panel lighting, w/o ETA, UL, Left side.	2 flat steps
94	DAA438ADD58	Curve panel, w/o skirt panel lighting, w/o ETA, UL , Right side	
95	DAA438ADD61	Curve panel, w/ skirt panel lighting, w/o ETA, UL , Left side.	
96	DAA438ADD62	Curve panel, w/ skirt panel lighting, w/o ETA, UL , Right side	
97	DAA438ADD59	Curve panel, w/o skirt panel lighting, w/o ETA, UL , Left side.	3 flat steps
98	DAA438ADD60	Curve panel, w/o skirt panel lighting, w/o ETA, UL , Right side.	
99	DAA438ADD63	Curve panel, w/ skirt panel lighting, w/o ETA, UL , Left side.	
100	DAA438ADD64	Curve panel, w/ skirt panel lighting, w/o ETA, UL , Right side.	



Curve panel, w/o brush lighting / with black brush holder, for

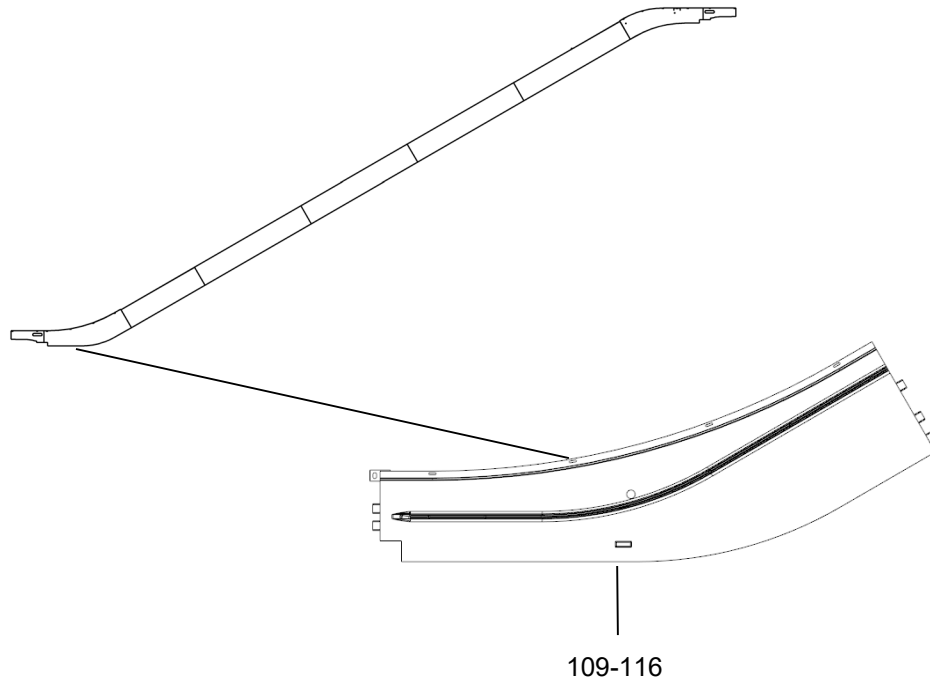
- 508NCE-ANSI, Surface finish “low friction powder coating black” .
- 512NCE-ANSI, Surface finish “low friction powder coating black” .



DBA26228EK		LOWER LANDING = LL	
REF. No.	PART No.	DESCRIPTION	TYPE
101	DAA438ADE1	Curve panel, w/o skirt panel lighting, w/ETA, LL , Left side.	2 flat steps
102	DAA438ADE2	Curve panel, w/o skirt panel lighting, w/ETA, LL , Right side	
103	DAA438ADE5	Curve panel, w/ skirt panel lighting, w/ETA, LL , Left side.	
104	DAA438ADE6	Curve panel, w/ skirt panel lighting, w/ETA, LL , Right side	3 flat steps
105	DAA438ADE3	Curve panel, w/o skirt panel lighting, w/ETA, LL , Left side.	
106	DAA438ADE4	Curve panel, w/o skirt panel lighting, w/ETA, LL , Right side.	
107	DAA438ADE7	Curve panel, w/ skirt panel lighting, w/ETA, LL , Left side.	
108	DAA438ADE8	Curve panel, w/ skirt panel lighting, w/ETA, LL , Right side.	

Curve panel, w/o brush lighting / with black brush holder, for

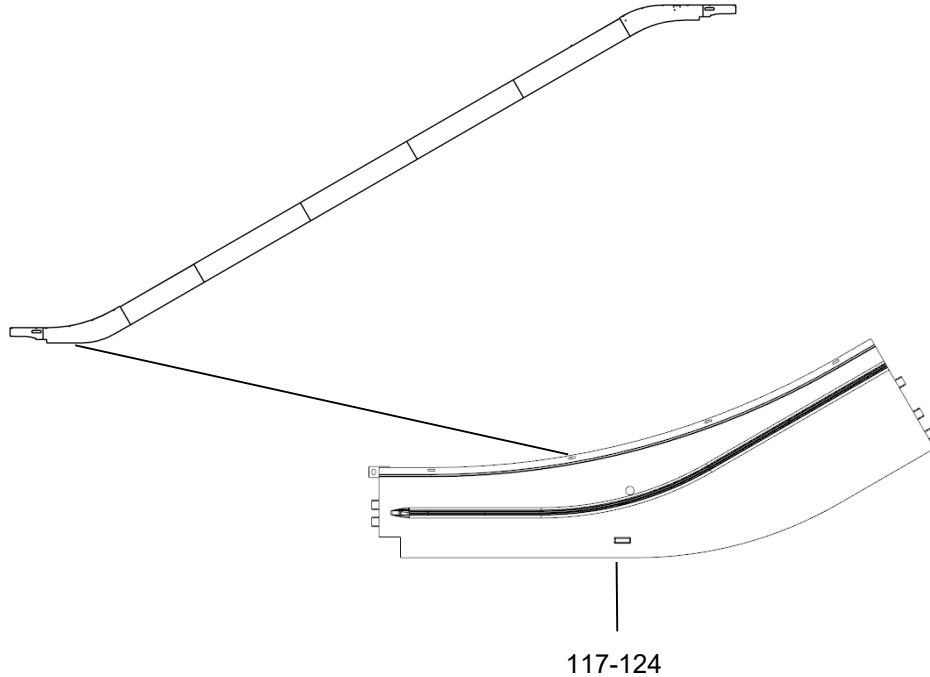
- 508NCE-ANSI, Surface finish “G2+ low friction powder coating transparent” .
- 512NCE-ANSI, Surface finish “G2+ low friction powder coating transparent”.



DBA26228EK		LOWER LANDING = LL	
REF. No.	PART No.	DESCRIPTION	TYPE
109	DAA438ADE9	Curve panel, w/o skirt panel lighting, w/ETA, LL , Left side.	2 flat steps
110	DAA438ADE10	Curve panel, w/o skirt panel lighting, w/ETA, LL , Right side	
111	DAA438ADE13	Curve panel, w/ skirt panel lighting, w/ETA, LL , Left side.	
112	DAA438ADE14	Curve panel, w/ skirt panel lighting, w/ETA, LL , Right side	
113	DAA438ADE11	Curve panel, w/o skirt panel lighting, w/ETA, LL , Left side.	3 flat steps
114	DAA438ADE12	Curve panel, w/o skirt panel lighting, w/ETA, LL , Right side.	
115	DAA438ADE15	Curve panel, w/ skirt panel lighting, w/ETA, LL , Left side.	
116	DAA438ADE16	Curve panel, w/ skirt panel lighting, w/ETA, LL , Right side.	

Curve panel, w/o brush lighting / with black brush holder, for

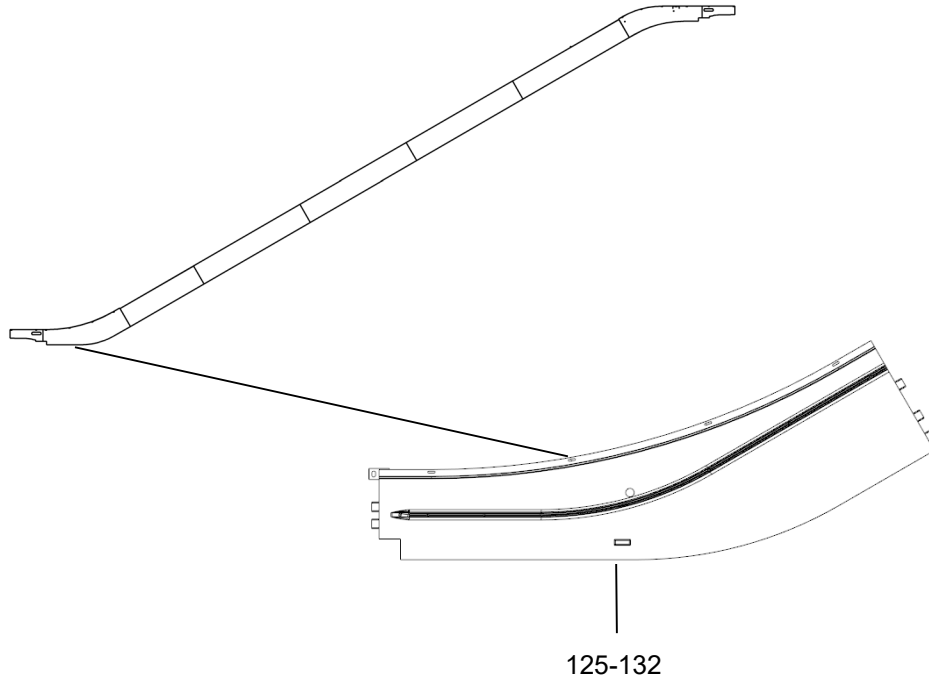
- 508NCE-ANSI, Surface finish “low friction powder coating black” .
- 512NCE-ANSI, Surface finish “low friction powder coating black” .



DBA26228EK		LOWER LANDING = LL	
REF. No.	PART No.	DESCRIPTION	TYPE
117	DAA438ADE33	Curve panel, w/o skirt panel lighting, w/o ETA, LL , Left side.	2 flat steps
118	DAA438ADE34	Curve panel, w/o skirt panel lighting, w/o ETA, LL , Right side	
119	DAA438ADE37	Curve panel, w/ skirt panel lighting, w/o ETA, LL , Left side.	
120	DAA438ADE38	Curve panel, w/ skirt panel lighting, w/o ETA, LL , Right side	
121	DAA438ADE35	Curve panel, w/o skirt panel lighting, w/o ETA, LL , Left side.	3 flat steps
122	DAA438ADE36	Curve panel, w/o skirt panel lighting, w/o ETA, LL , Right side.	
123	DAA438ADE39	Curve panel, w/ skirt panel lighting, w/o ETA, LL , Left side.	
124	DAA438ADE40	Curve panel, w/ skirt panel lighting, w/o ETA, LL , Right side.	

Curve panel, w/o brush lighting / with black brush holder, for

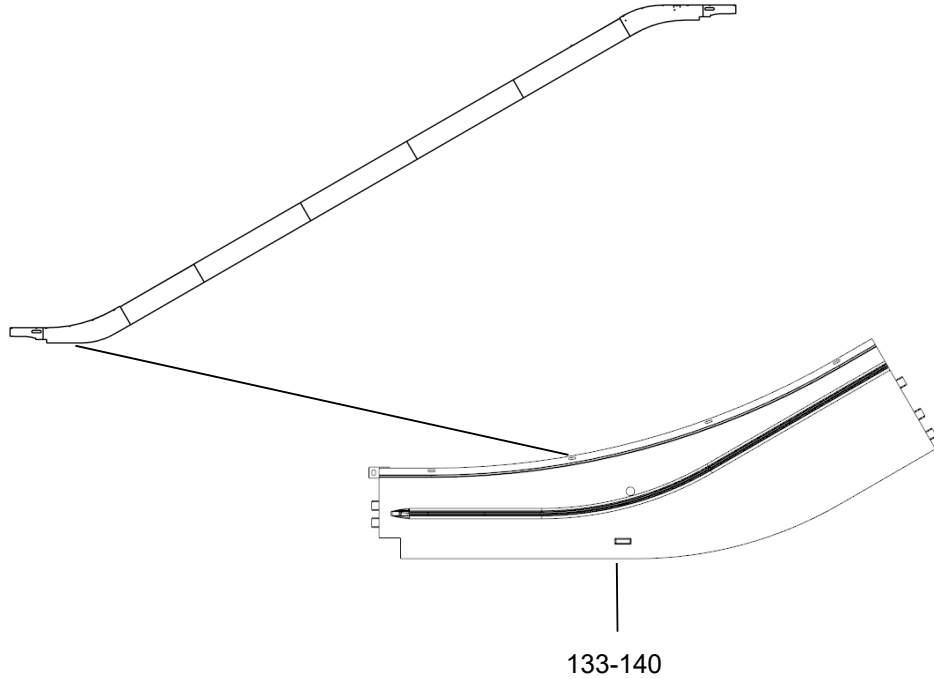
- 508NCE-ANSI, Surface finish “G2 + low friction powder coating transparent”
- 512NCE-ANSI, Surface finish “G2 + low friction powder coating transparent” .



DBA26228EK		LOWER LANDING = LL	
REF. No.	PART No.	DESCRIPTION	TYPE
125	DAA438ADE41	Curve panel, w/o skirt panel lighting, w/o ETA, LL , Left side.	2 flat steps
126	DAA438ADE42	Curve panel, w/o skirt panel lighting, w/o ETA, LL , Right side	
127	DAA438ADE45	Curve panel, w/ skirt panel lighting, w/o ETA, LL , Left side.	
128	DAA438ADE46	Curve panel, w/ skirt panel lighting, w/o ETA, LL , Right side	
129	DAA438ADE43	Curve panel, w/o skirt panel lighting, w/o ETA, LL , Left side.	3 flat steps
130	DAA438ADE44	Curve panel, w/o skirt panel lighting, w/o ETA, LL , Right side.	
131	DAA438ADE47	Curve panel, w/ skirt panel lighting, w/o ETA, LL , Left side.	
132	DAA438ADE48	Curve panel, w/ skirt panel lighting, w/o ETA, LL , Right side.	

Curve panel, w/o brush lighting / with silver brush holder, for

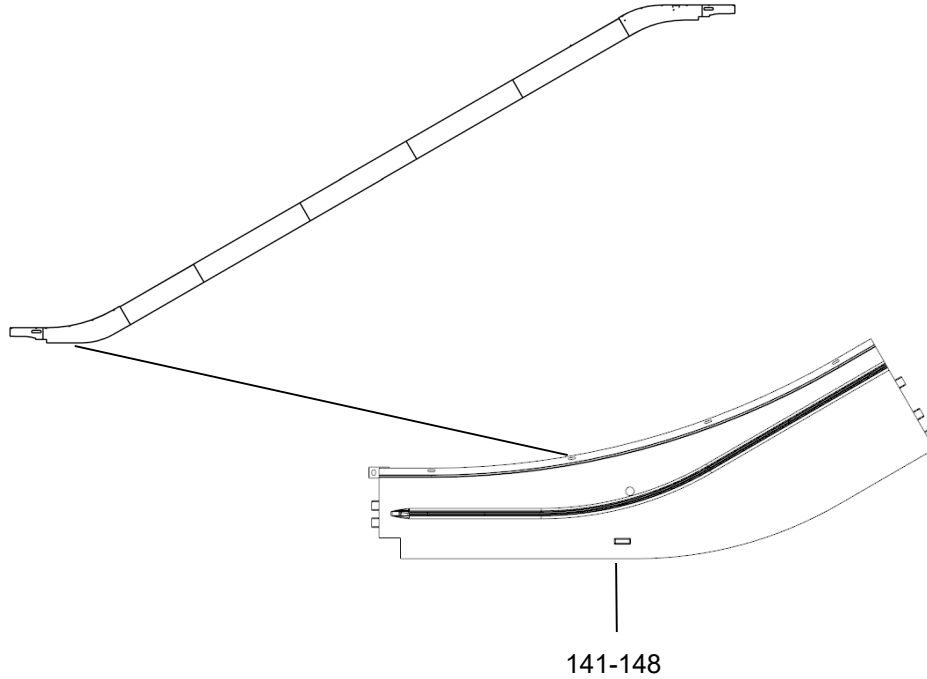
- 508NCE-ANSI, Surface finish “low friction powder coating black” .
- 512NCE-ANSI, Surface finish “low friction powder coating black” .



DBA26228EK		LOWER LANDING = LL	
REF. No.	PART No.	DESCRIPTION	TYPE
133	DAA438ADE17	Curve panel, w/o skirt panel lighting, w/o ETA, LL , Left side.	2 flat steps
134	DAA438ADE18	Curve panel, w/o skirt panel lighting, w/o ETA, LL , Right side	
135	DAA438ADE21	Curve panel, w/ skirt panel lighting, w/o ETA, LL , Left side.	
136	DAA438ADE22	Curve panel, w/ skirt panel lighting, w/o ETA, LL , Right side	
137	DAA438ADE19	Curve panel, w/o skirt panel lighting, w/o ETA, LL , Left side.	3 flat steps
138	DAA438ADE20	Curve panel, w/o skirt panel lighting, w/o ETA, LL , Right side.	
139	DAA438ADE23	Curve panel, w/ skirt panel lighting, w/o ETA, LL , Left side.	
140	DAA438ADE24	Curve panel, w/ skirt panel lighting, w/o ETA, LL , Right side.	

Curve panel, w/o brush lighting / with silver brush holder, for

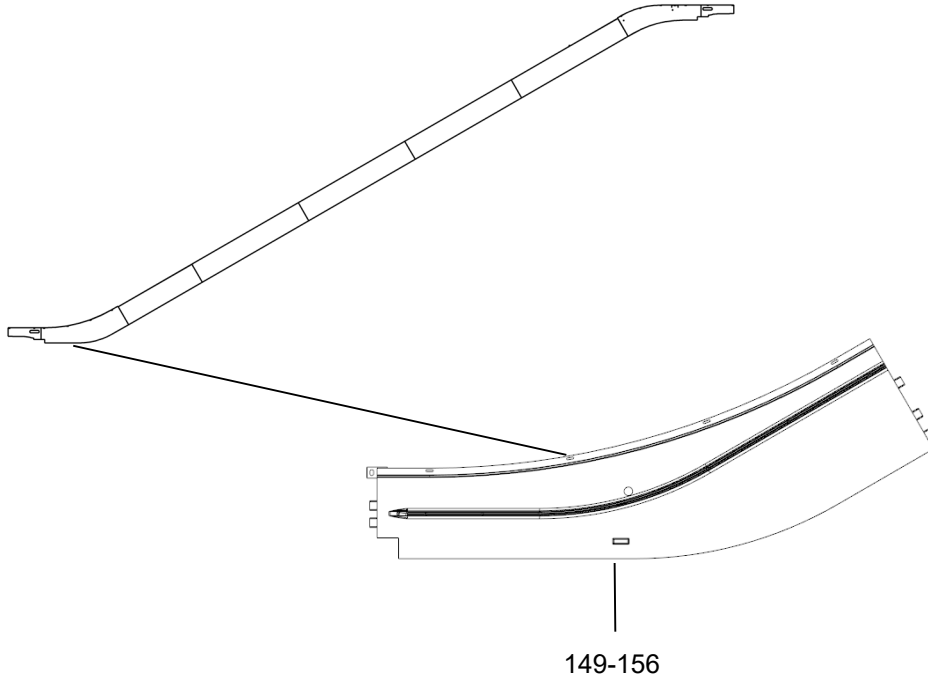
- 508NCE-ANSI, Surface finish “G2+ low friction powder coating transparent” .
- 512NCE-ANSI, Surface finish “G2+ low friction powder coating transparent”.



DBA26228EK		LOWER LANDING = LL	
REF. No.	PART No.	DESCRIPTION	TYPE
141	DAA438ADE25	Curve panel, w/o skirt panel lighting, w/o ETA, LL , Left side.	2 flat steps
142	DAA438ADE26	Curve panel, w/o skirt panel lighting, w/o ETA, LL , Right side	
143	DAA438ADE29	Curve panel, w/ skirt panel lighting, w/o ETA, LL , Left side.	
144	DAA438ADE30	Curve panel, w/ skirt panel lighting, w/o ETA, LL , Right side	
145	DAA438ADE27	Curve panel, w/o skirt panel lighting, w/o ETA, LL , Left side.	3 flat steps
146	DAA438ADE28	Curve panel, w/o skirt panel lighting, w/o ETA, LL , Right side.	
147	DAA438ADE31	Curve panel, w/ skirt panel lighting, w/o ETA, LL , Left side.	
148	DAA438ADE32	Curve panel, w/ skirt panel lighting, w/o ETA, LL , Right side.	

Curve panel, w/o brush lighting / with silver brush holder, for

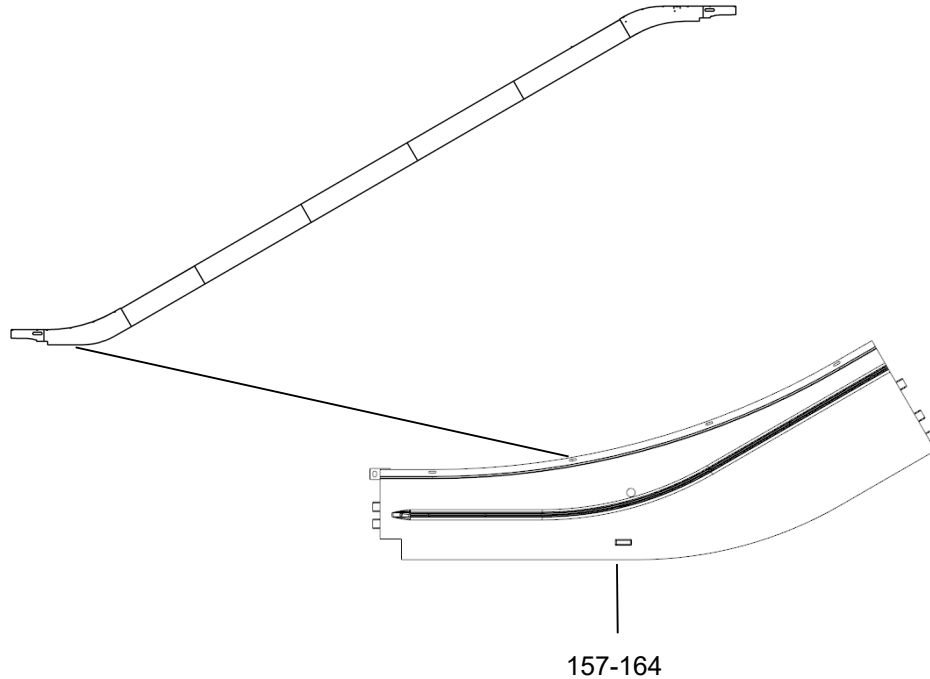
- 508NCE-ANSI, Surface finish “low friction powder coating black” .
- 512NCE-ANSI, Surface finish “low friction powder coating black” .



DBA26228EK		LOWER LANDING = LL	
REF. No.	PART No.	DESCRIPTION	TYPE
149	DAA438ADD49	Curve panel, w/o skirt panel lighting, w/o ETA, LL , Left side.	2 flat steps
150	DAA438ADD50	Curve panel, w/o skirt panel lighting, w/o ETA, LL , Right side	
151	DAA438ADD53	Curve panel, w/ skirt panel lighting, w/o ETA, LL , Left side.	
152	DAA438ADD54	Curve panel, w/ skirt panel lighting, w/o ETA, LL , Right side	3 flat steps
153	DAA438ADD51	Curve panel, w/o skirt panel lighting, w/o ETA, LL , Left side.	
154	DAA438ADD52	Curve panel, w/o skirt panel lighting, w/o ETA, LL , Right side.	
155	DAA438ADD55	Curve panel, w/ skirt panel lighting, w/o ETA, LL , Left side.	
156	DAA438ADD56	Curve panel, w/ skirt panel lighting, w/o ETA, LL , Right side.	

Curve panel, w/o brush lighting / with silver brush holder, for

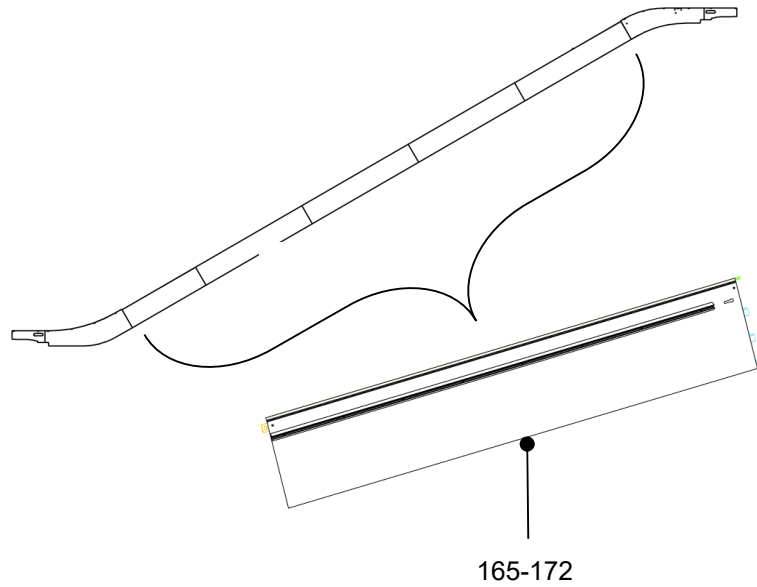
- 508NCE-ANSI, Surface finish “G2 + low friction powder coating transparent”
- 512NCE-ANSI, Surface finish “G2 + low friction powder coating transparent” .



DBA26228EK		LOWER LANDING = LL	
REF. No.	PART No.	DESCRIPTION	TYPE
157	DAA438ADE57	Curve panel, w/o skirt panel lighting, w/o ETA, LL , Left side.	2 flat steps
158	DAA438ADE58	Curve panel, w/o skirt panel lighting, w/o ETA, LL , Right side	
159	DAA438ADE61	Curve panel, w/ skirt panel lighting, w/o ETA, LL , Left side.	
160	DAA438ADE62	Curve panel, w/ skirt panel lighting, w/o ETA, LL , Right side	
161	DAA438ADE59	Curve panel, w/o skirt panel lighting, w/o ETA, LL , Left side.	3 flat steps
162	DAA438ADE60	Curve panel, w/o skirt panel lighting, w/o ETA, LL , Right side.	
163	DAA438ADE63	Curve panel, w/ skirt panel lighting, w/o ETA, LL , Left side.	
164	DAA438ADE64	Curve panel, w/ skirt panel lighting, w/o ETA, LL , Right side.	



**Inclined section panel, w/o brush lighting / with black brush holder, for  
508NCE-ANSI,L=1850.**

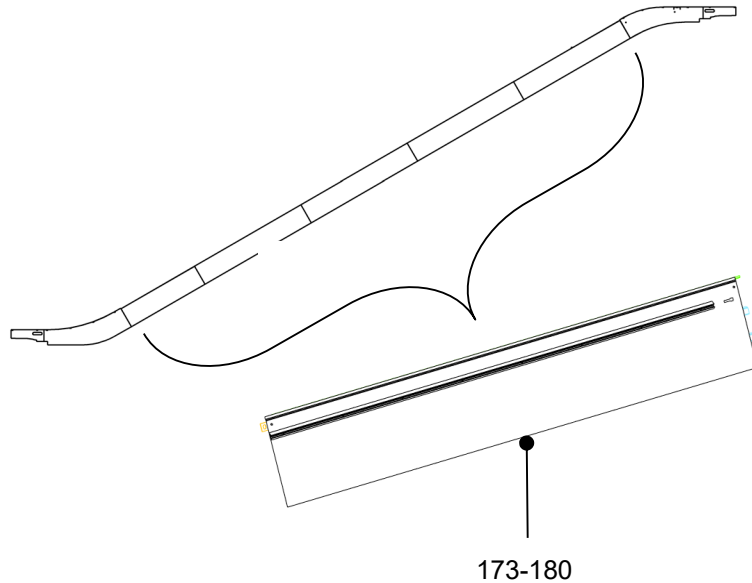


DBA26228EK			
REF. No.	PART No.	DESCRIPTION	finish
165	DAA438ADC9	Inclined section panel, w/o skirt panel lighting, Left side.	low friction powder coating black
166	DAA438ADC10	Inclined section panel, w/o skirt panel lighting, Right side	
167	DAA438ADC11	Inclined section panel, w/ skirt panel lighting, Left side.	
168	DAA438ADC12	Inclined section panel, w/ skirt panel lighting, Right side.	
169	DAA438ADC13	Inclined section panel, w/o skirt panel lighting, Left side.	G2+low friction powder coating transparent
170	DAA438ADC14	Inclined section panel, w/o skirt panel lighting, Right side	
171	DAA438ADC15	Inclined section panel, w/ skirt panel lighting, Left side.	
172	DAA438ADC16	Inclined section panel, w/ skirt panel lighting, Right side.	

**508NCE / 512NCE ESCALATOR  
Skirt Panel**

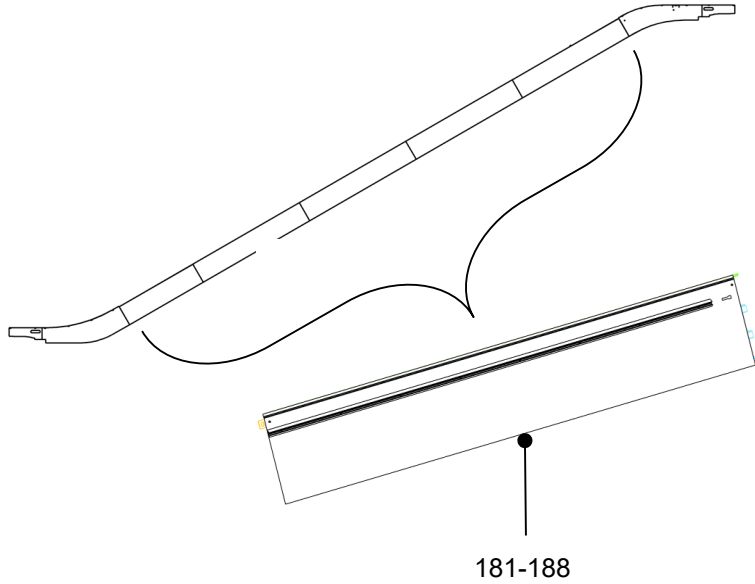
**57-DBA26228EK**

Inclined section panel, w/o brush lighting / with black brush holder, for  
- 512NCE-ANSI,L=1850.



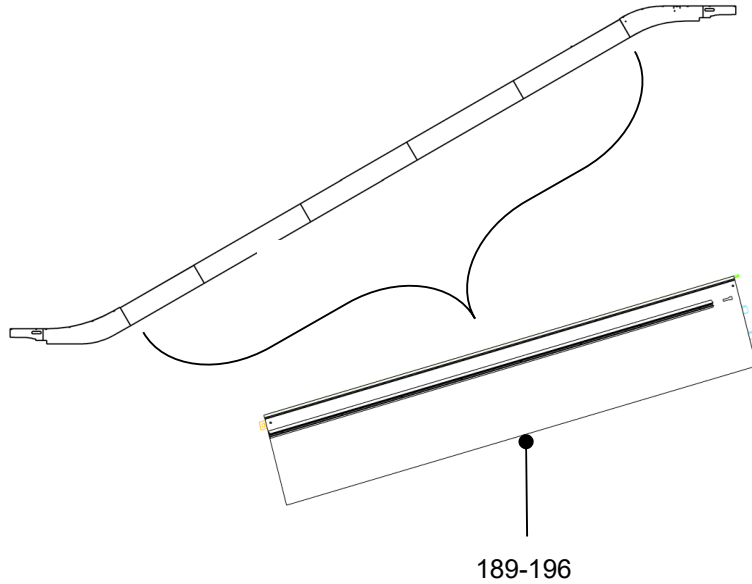
DBA26228EK			
REF. No.	PART No.	DESCRIPTION	finish
173	DAA438ADC17	Inclined section panel, w/o skirt panel lighting, Left side.	<b>low friction powder coating black</b>
174	DAA438ADC18	Inclined section panel, w/o skirt panel lighting, Right side	
175	DAA438ADC19	Inclined section panel, w/ skirt panel lighting, Left side.	
176	DAA438ADC20	Inclined section panel, w/ skirt panel lighting, Right side.	
177	DAA438ADC21	Inclined section panel, w/o skirt panel lighting, Left side.	<b>G2+low friction powder coating transparent</b>
178	DAA438ADC22	Inclined section panel, w/o skirt panel lighting, Right side	
179	DAA438ADC23	Inclined section panel, w/ skirt panel lighting, Left side.	
180	DAA438ADC24	Inclined section panel, w/ skirt panel lighting, Right side.	

Inclined section panel, w/o brush lighting / with silver brush holder, for  
- 508NCE-ANSI,L=1850.



DBA26228EK			
REF. No.	PART No.	DESCRIPTION	finish
181	DAA438ADC33	Inclined section panel, w/o skirt panel lighting, Left side.	low friction powder coating black
182	DAA438ADC34	Inclined section panel, w/o skirt panel lighting, Right side	
183	DAA438ADC35	Inclined section panel, w/ skirt panel lighting, Left side.	
184	DAA438ADC36	Inclined section panel, w/ skirt panel lighting, Right side.	
185	DAA438ADC37	Inclined section panel, w/o skirt panel lighting, Left side.	G2+low friction powder coating transparent
186	DAA438ADC38	Inclined section panel, w/o skirt panel lighting, Right side	
187	DAA438ADC39	Inclined section panel, w/ skirt panel lighting, Left side.	
188	DAA438ADC40	Inclined section panel, w/ skirt panel lighting, Right side.	

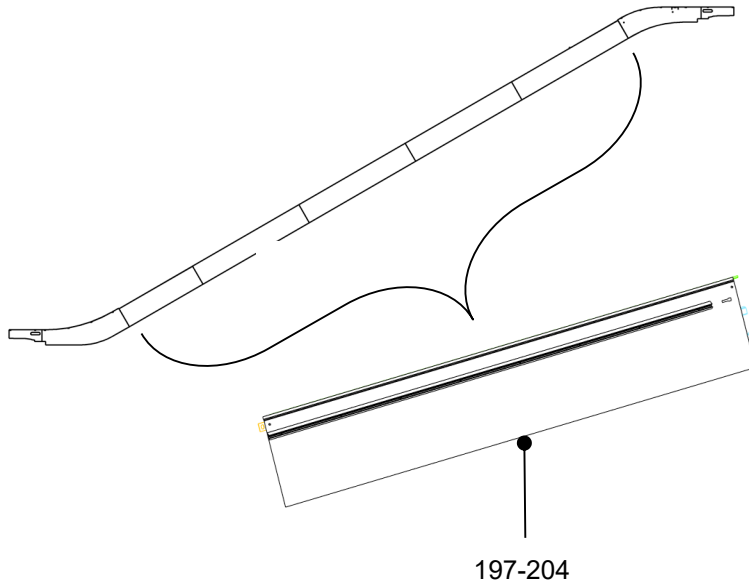
Inclined section panel, w/o brush lighting / with silver brush holder, for  
- 512NCE-ANSI,L=1850.



DBA26228EK			
REF. No.	PART No.	DESCRIPTION	finish
189	DAA438ADC41	Inclined section panel, w/o skirt panel lighting, Left side.	low friction powder coating black
190	DAA438ADC42	Inclined section panel, w/o skirt panel lighting, Right side	
191	DAA438ADC43	Inclined section panel, w/ skirt panel lighting, Left side.	
192	DAA438ADC44	Inclined section panel, w/ skirt panel lighting, Right side.	
193	DAA438ADC45	Inclined section panel, w/o skirt panel lighting, Left side.	G2+low friction powder coating transparent
194	DAA438ADC46	Inclined section panel, w/o skirt panel lighting, Right side	
195	DAA438ADC47	Inclined section panel, w/ skirt panel lighting, Left side.	
196	DAA438ADC48	Inclined section panel, w/ skirt panel lighting, Right side.	

Inclined section skirt panel, constant. Length, w/o brush lighting, with black brush holder, for

- 508NCE/512NCE-ANSI ,L=1980.



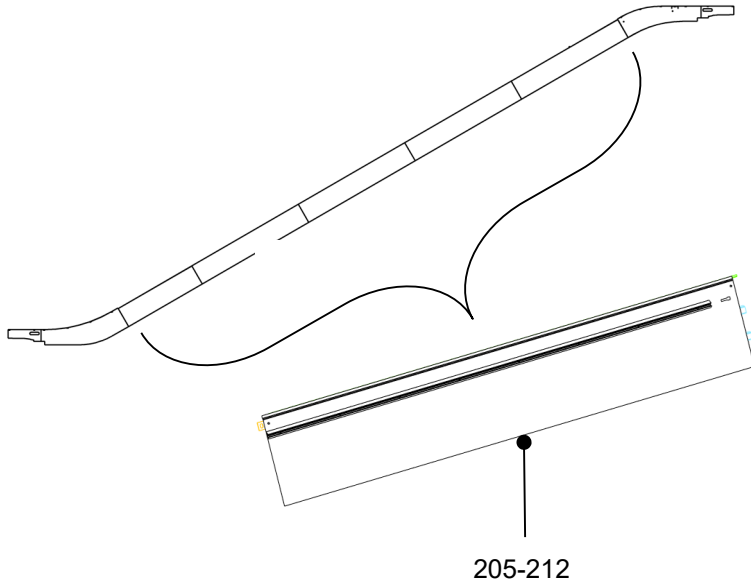
DBA26228EK			
REF. No.	PART No.	DESCRIPTION	finish
197	DAA438ADC1	Inclined section panel, w/o skirt panel lighting, Left side.	<b>low friction powder coating black</b>
198	DAA438ADC2	Inclined section panel, w/o skirt panel lighting, Right side	
199	DAA438ADC3	Inclined section panel, w/ skirt panel lighting, Left side.	
200	DAA438ADC4	Inclined section panel, w/ skirt panel lighting, Right side.	
201	DAA438ADC5	Inclined section panel, w/o skirt panel lighting, Left side.	<b>G2+low friction powder coating transparent</b>
202	DAA438ADC6	Inclined section panel, w/o skirt panel lighting, Right side	
203	DAA438ADC7	Inclined section panel, w/ skirt panel lighting, Left side.	
204	DAA438ADC8	Inclined section panel, w/ skirt panel lighting, Right side.	

**508NCE / 512NCE ESCALATOR  
Skirt Panel**

**57-DBA26228EK**

Inclined section skirt panel, constant. Length, w/o brush lighting, with silver brush holder, for

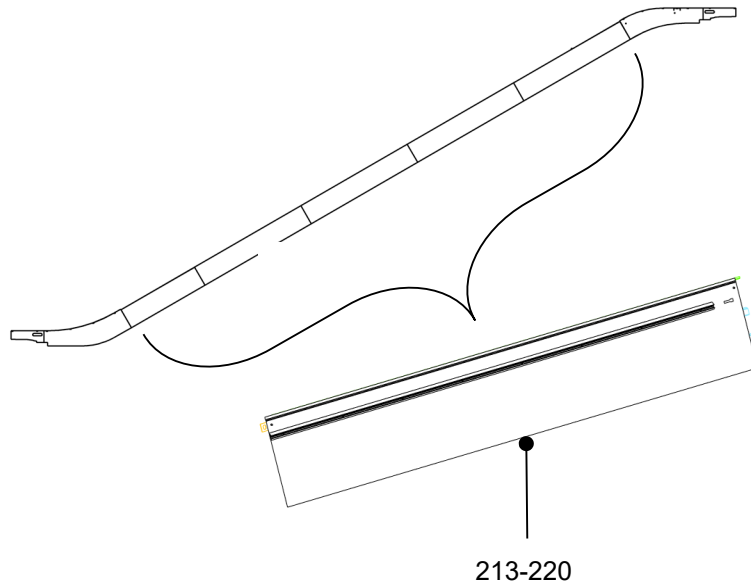
- 508NCE/512NCE-ANSI ,L=1980.



DBA26228EK			
REF. No.	PART No.	DESCRIPTION	finish
205	DAA438ADC25	Inclined section panel, w/o skirt panel lighting, Left side.	low friction powder coating black
206	DAA438ADC26	Inclined section panel, w/o skirt panel lighting, Right side	
207	DAA438ADC27	Inclined section panel, w/ skirt panel lighting, Left side.	
208	DAA438ADC28	Inclined section panel, w/ skirt panel lighting, Right side.	
209	DAA438ADC29	Inclined section panel, w/o skirt panel lighting, Left side.	G2+low friction powder coating transparent
210	DAA438ADC30	Inclined section panel, w/o skirt panel lighting, Right side	
211	DAA438ADC31	Inclined section panel, w/ skirt panel lighting, Left side.	
212	DAA438ADC32	Inclined section panel, w/ skirt panel lighting, Right side.	

Inclined section skirt panel, VAR. Length, w/o brush lighting, with black brush holder, for

- 508NCE/512NCE-ANSI ,L= per Spec.



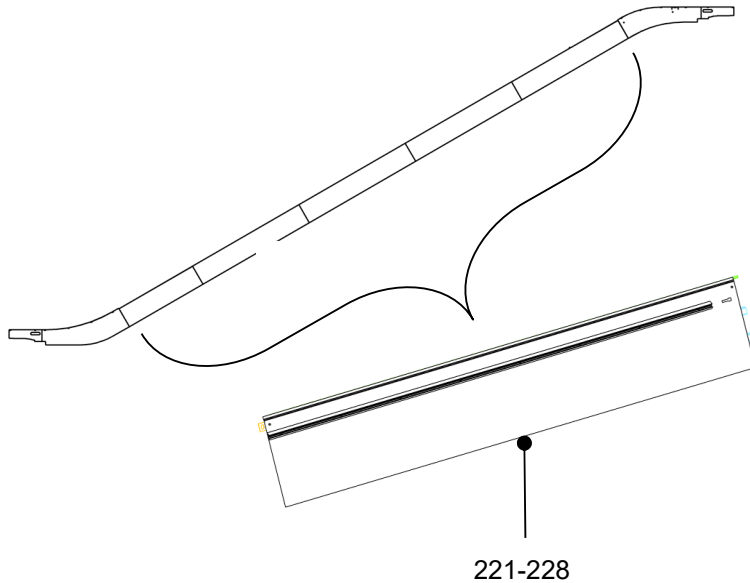
DBA26228EK			
REF. No.	PART No.	DESCRIPTION	finish
213	DAA438ADC-V1	Inclined section skirt panel, w/o skirt panel lighting, var. Length (per Spec) Left side.	<b>low friction powder coating black</b>
214	DAA438ADC-V2	Inclined section skirt panel, w/o skirt panel lighting, var. Length (per Spec) Right side	
215	DAA438ADC-V5	Inclined section skirt panel, w/ skirt panel lighting, var. Length (per Spec) Left side.	
216	DAA438ADC-V6	Inclined section skirt panel, w/ skirt panel lighting, var. Length (per Spec) Right side.	
217	DAA438ADC-V9	Inclined section skirt panel, w/o skirt panel lighting, var. Length (per Spec) Left side.	<b>G2+low friction powder coating transparent</b>
218	DAA438ADC-V10	Inclined section skirt panel, w/o skirt panel lighting, var. Length (per Spec) Right side	
219	DAA438ADC-V13	Inclined section skirt panel, w/ skirt panel lighting, var. Length (per Spec) Left side.	
220	DAA438ADC-V14	Inclined section skirt panel, w/ skirt panel lighting, var. Length (per Spec) Right side.	

**508NCE / 512NCE ESCALATOR  
Skirt Panel**

**57-DBA26228EK**

Inclined section skirt panel, VAR. Length, w/o brush lighting, with silver brush holder, for

- 508NCE-ANSI, Surface finish “low friction powder coating black” ;
- 512NCE-ANSI, Surface finish “low friction powder coating black” .

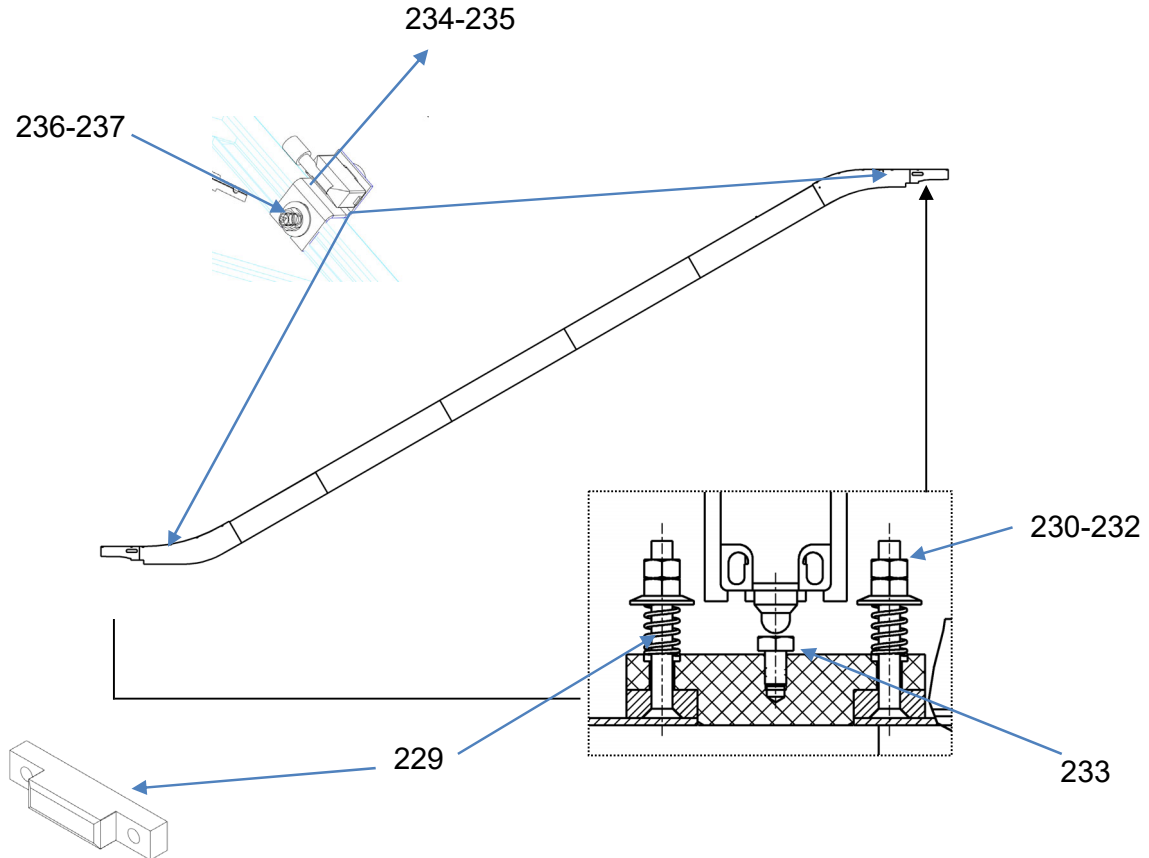


DBA26228EK			
REF. No.	PART No.	DESCRIPTION	finish
221	DAA438ADC-V17	Inclined section skirt panel, w/o skirt panel lighting, var. Length (per Spec) Left side.	<b>low friction powder coating black</b>
222	DAA438ADC-V18	Inclined section skirt panel, w/o skirt panel lighting, var. Length (per Spec) Right side	
223	DAA438ADC-V21	Inclined section skirt panel, w/ skirt panel lighting, var. Length (per Spec) Left side.	
224	DAA438ADC-V22	Inclined section skirt panel, w/ skirt panel lighting, var. Length (per Spec) Right side.	
225	DAA438ADC-V25	Inclined section skirt panel, w/o skirt panel lighting, var. Length (per Spec) Left side.	<b>G2+low friction powder coating transparent</b>
226	DAA438ADC-V26	Inclined section skirt panel, w/o skirt panel lighting, var. Length (per Spec) Right side	
227	DAA438ADC-V29	Inclined section skirt panel, w/ skirt panel lighting, var. Length (per Spec) Left side.	
228	DAA438ADC-V30	Inclined section skirt panel, w/ skirt panel lighting, var. Length (per Spec) Right side.	



The spare part of skirt obstruct device, for

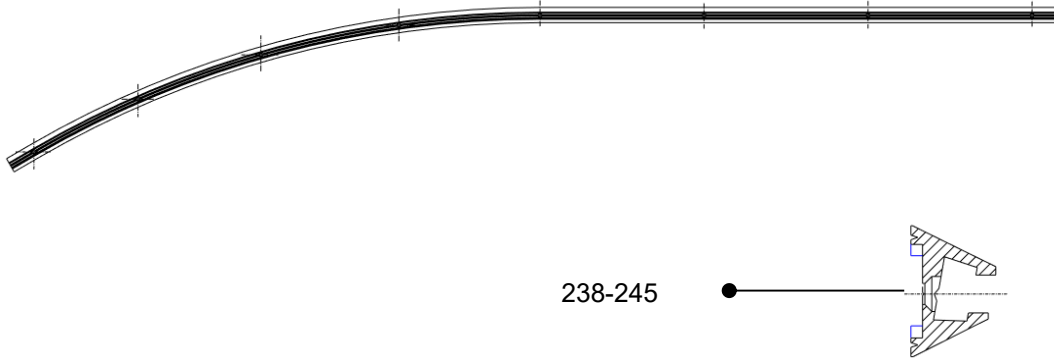
- 508NCE-ANSI ;
- 512NCE-ANSI.



DBA26228EK		
REF. No.	PART No.	DESCRIPTION
229	DAA310CC1	BLOCK
230	ISO4017M6X10-8.8Z	ADJUST BOLT
231	DAA90AL1	SPRING
232	GAA72BS3	NUT
233	ISO4032M6-8-Z	NUT
234	DAA180LZ1	ETA PLUS BRACKET, INDOOR, w/ETA
235	DAA180LZ2	ETA PLUS BRACKET, SEMI-OUTDOOR/OUTDOOR, w/ETA
236	GAA65DP48	T-BOLT, w/ETA
237	GAA72BS4	WASHER NUT, w/ETA

Curve skirt brush holder , w/o brush lighting, for

- 508NCE-ANSI



DBA26228EK		UPPER LANDING = UL	
REF. No.	PART No.	DESCRIPTION	TYPE
238	DAA402VS1	Curve skirt brush holder, black, left side.	2 flat steps
239	DAA402VS2	Curve skirt brush holder, black, right side.	
240	DAA402VS9	Curve skirt brush holder, silver, left side.	
241	DAA402VS10	Curve skirt brush holder, silver, right side.	
242	DAA402VS3	Curve skirt brush holder, black, left side.	3 flat steps
243	DAA402VS4	Curve skirt brush holder, black, right side.	
244	DAA402VS11	Curve skirt brush holder, silver, left side.	
245	DAA402VS12	Curve skirt brush holder, silver, right side.	

Curve skirt brush holder , w/o brush lighting, for  
- 512NCE-ANSI



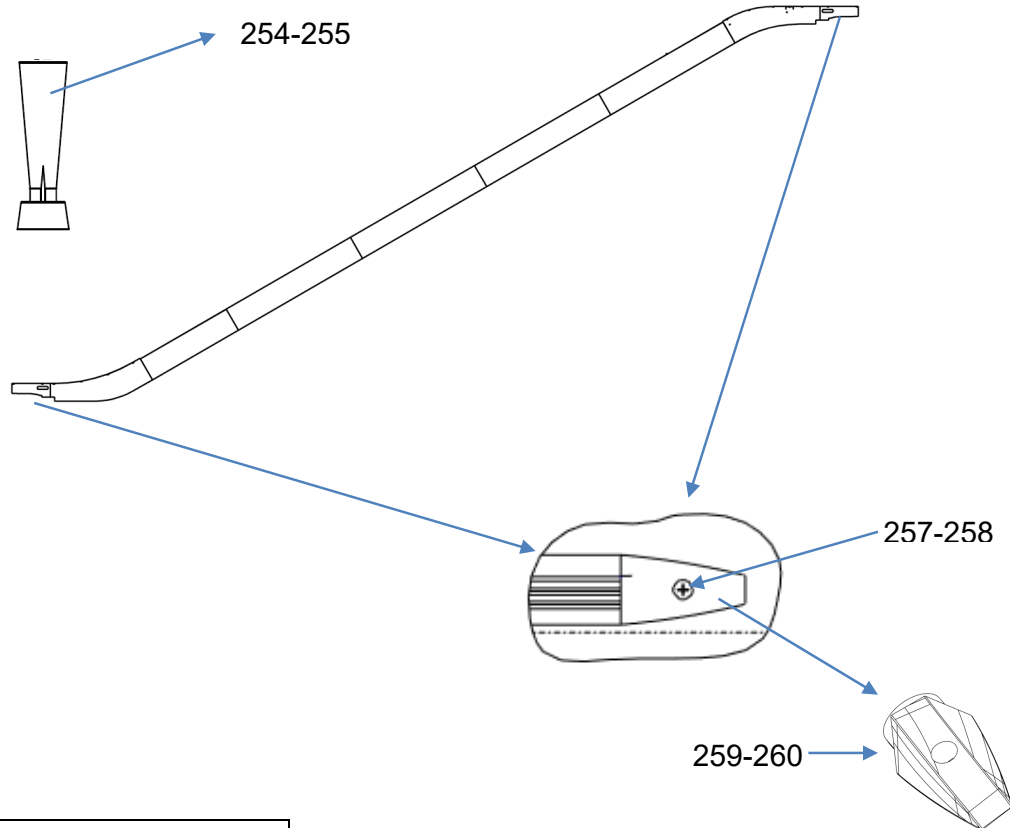
DBA26228EK		UPPER LANDING = UL	
REF. No.	PART No.	DESCRIPTION	TYPE
246	DAA402VS5	Curve skirt brush holder, black, left side.	2 flat steps
247	DAA402VS6	Curve skirt brush holder, black, right side.	
248	DAA402VS13	Curve skirt brush holder, silver, left side.	
249	DAA402VS14	Curve skirt brush holder, silver, right side.	
250	DAA402VS7	Curve skirt brush holder, black, left side.	3 flat steps
251	DAA402VS8	Curve skirt brush holder, black, right side.	
252	DAA402VS15	Curve skirt brush holder, silver, left side.	
253	DAA402VS16	Curve skirt brush holder, silver, right side.	

**508NCE / 512NCE ESCALATOR  
Skirt Panel**

**57-DBA26228EK**

The spare part of skirt obstruct device, for

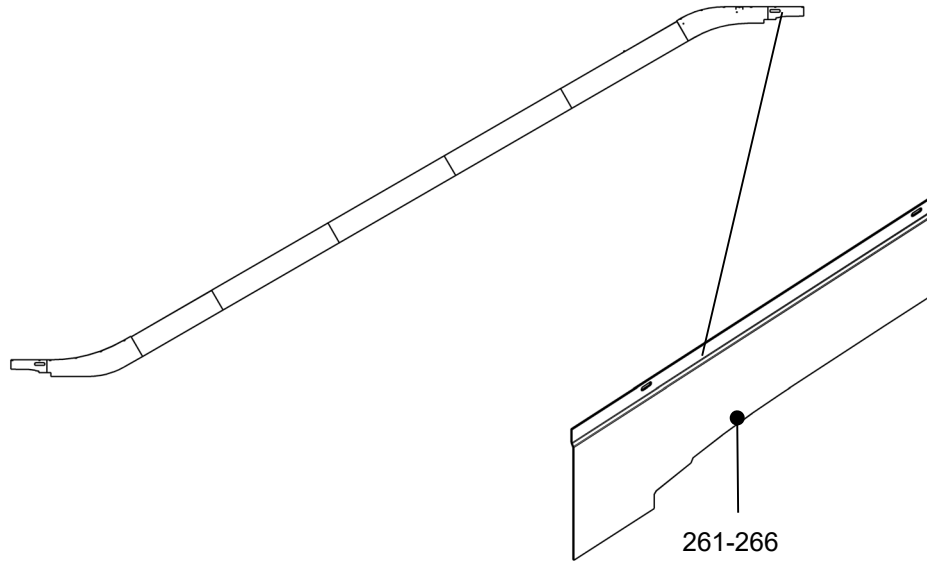
- 508NCE-ANSI;
- 512NCE-ANSI.



DBA26228EK		
REF. No.	PART No.	DESCRIPTION
254	DAA241J1	BRUSH
255	DAA241J2	BRUSH
257	GB819.1/M4X20H-4.8-Z	COUNT SUNK FLAT HEAD SCREW
258	DAA72BA1	NUT
259	DAA273AW1	END CAP
260	DAA273AW2	END CAP

First skirt panel, w/o brush lighting, for

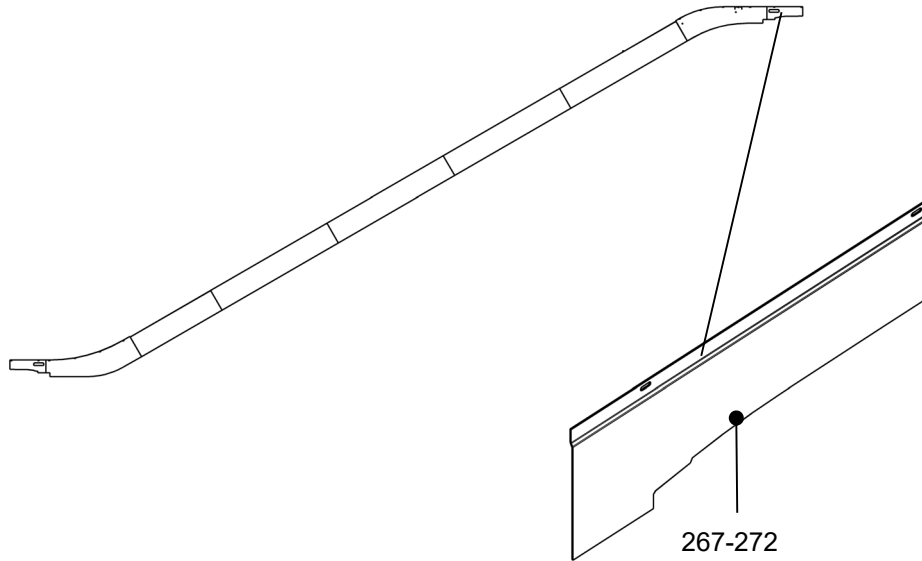
- 508NCE-ANSI, Surface finish “low friction powder coating black” ;
- 512NCE-ANSI, Surface finish “low friction powder coating black”.



DBA26228EK		UPPER LANDING = UL	
REF. No.	PART No.	DESCRIPTION	TYPE
261	DAA438VA1	First skirt panel, w/o comb lighting & w/o skirt panel lighting, UL Left side.	2&3 flat steps
262	DAA438VA2	First skirt panel, w/o comb lighting & w/o skirt panel lighting, UL Right side.	
263	DAA438VA5	First skirt panel, w/o comb lighting & w/ skirt panel lighting, UL Left side.	
264	DAA438VA6	First skirt panel, w/o comb lighting & w/ skirt panel lighting, UL Right side.	
265	DAA438VA9	First skirt panel, w/ comb lighting & w/o skirt panel lighting, UL Left side.	
266	DAA438VA10	First skirt panel, w/ comb lighting & w/o skirt panel lighting, UL Right side.	

First skirt panel, w/o brush lighting, for

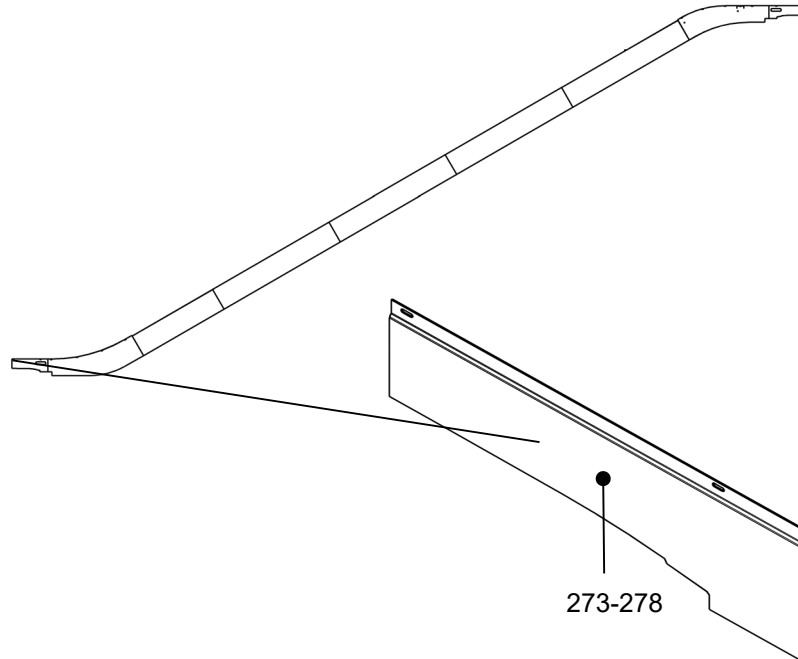
- 508NCE-ANSI, Surface finish “G2 + low friction powder coating transparent” ;
- 512NCE-ANSI, Surface finish “G2 + low friction powder coating transparent” .



DBA26228EK		UPPER LANDING = UL	
REF. No.	PART No.	DESCRIPTION	TYPE
267	DAA438VA13	First skirt panel, w/o comb lighting & w/o skirt panel lighting, UL Left side.	2&3 flat steps
268	DAA438VA14	First skirt panel, w/o comb lighting & w/o skirt panel lighting, UL Right side.	
269	DAA438VA17	First skirt panel, w/o comb lighting & w/ skirt panel lighting, UL Left side.	
270	DAA438VA18	First skirt panel, w/o comb lighting & w/ skirt panel lighting, UL Right side.	
271	DAA438VA21	First skirt panel, w/ comb lighting & w/o skirt panel lighting, UL Left side.	
272	DAA438VA22	First skirt panel, w/ comb lighting & w/o skirt panel lighting, UL Right side.	

First skirt panel, w/o brush lighting, for

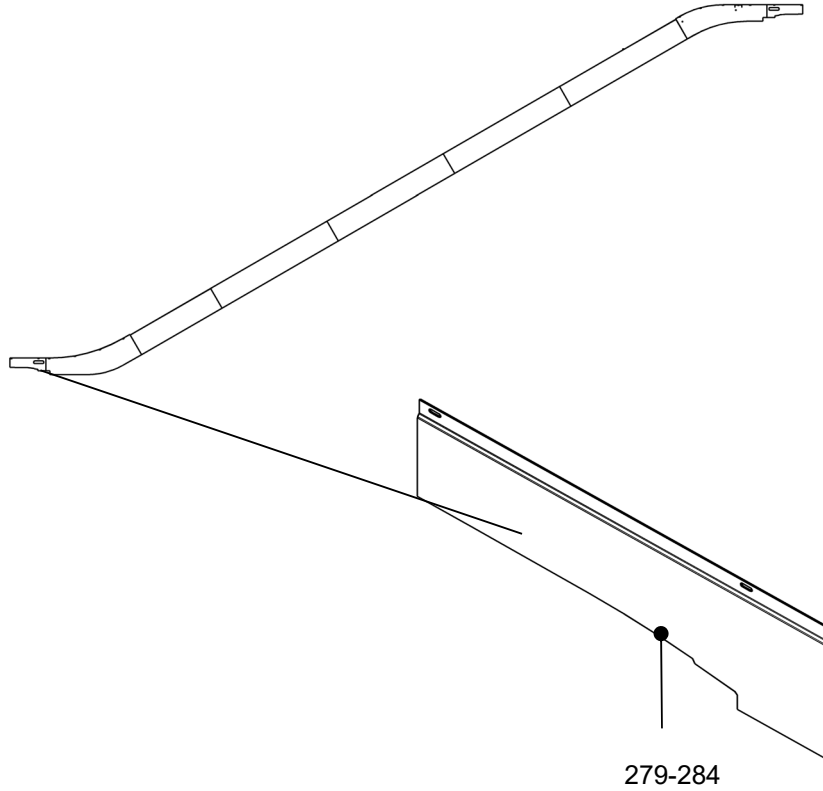
- 508NCE-ANSI, Surface finish “low friction powder coating black” .



DBA26228EK		LOWER LANDING = LL	
REF. No.	PART No.	DESCRIPTION	TYPE
273	DAA438VA3	First skirt panel, w/o comb lighting & w/o skirt panel lighting, LL Left side.	2&3 flat steps
274	DAA438VA4	First skirt panel, w/o comb lighting & w/o skirt panel lighting, LL Right side.	
275	DAA438VA7	First skirt panel, w/o comb lighting & w/ skirt panel lighting, LL Left side.	
276	DAA438VA8	First skirt panel, w/o comb lighting & w/ skirt panel lighting, LL Right side.	
277	DAA438VA11	First skirt panel, w/ comb lighting & w/o skirt panel lighting, LL Left side.	
278	DAA438VA12	First skirt panel, w/ comb lighting & w/o skirt panel lighting, LL Right side.	

First skirt panel, w/o brush lighting, for

- 508NCE-ANSI, Surface finish “G2 + low friction powder coating transparent” .

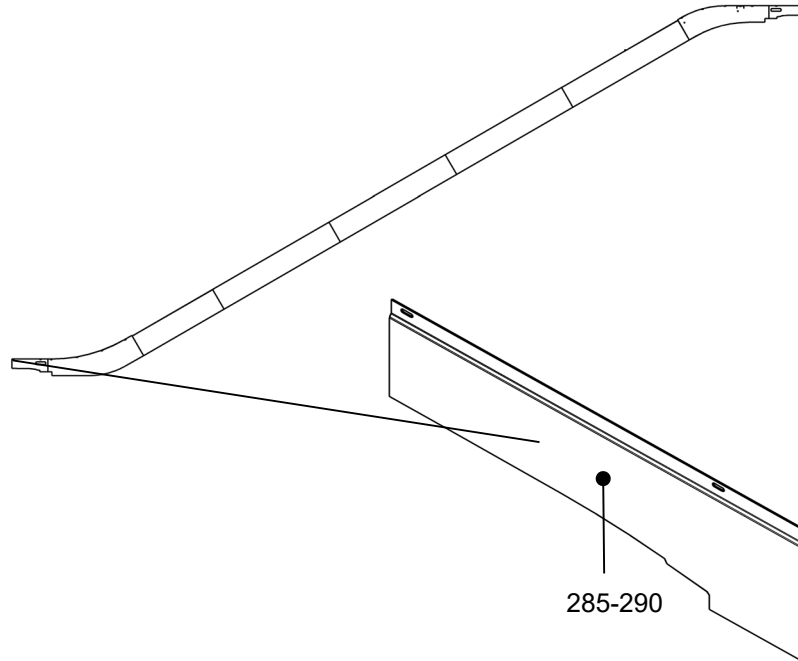


DBA26228EK		LOWER LANDING = LL	
REF. No.	PART No.	DESCRIPTION	TYPE
279	DAA438VA15	First skirt panel, w/o comb lighting & w/o skirt panel lighting, LL Left side.	2&3 flat steps
280	DAA438VA16	First skirt panel, w/o comb lighting & w/o skirt panel lighting, LL Right side.	
281	DAA438VA19	First skirt panel, w/o comb lighting & w/ skirt panel lighting, LL Left side.	
282	DAA438VA20	First skirt panel, w/o comb lighting & w/ skirt panel lighting, LL Right side.	
283	DAA438VA23	First skirt panel, w/ comb lighting & w/o skirt panel lighting, LL Left side.	
284	DAA438VA24	First skirt panel, w/ comb lighting & w/o skirt panel lighting, LL Right side.	



First skirt panel, w/o brush lighting, for

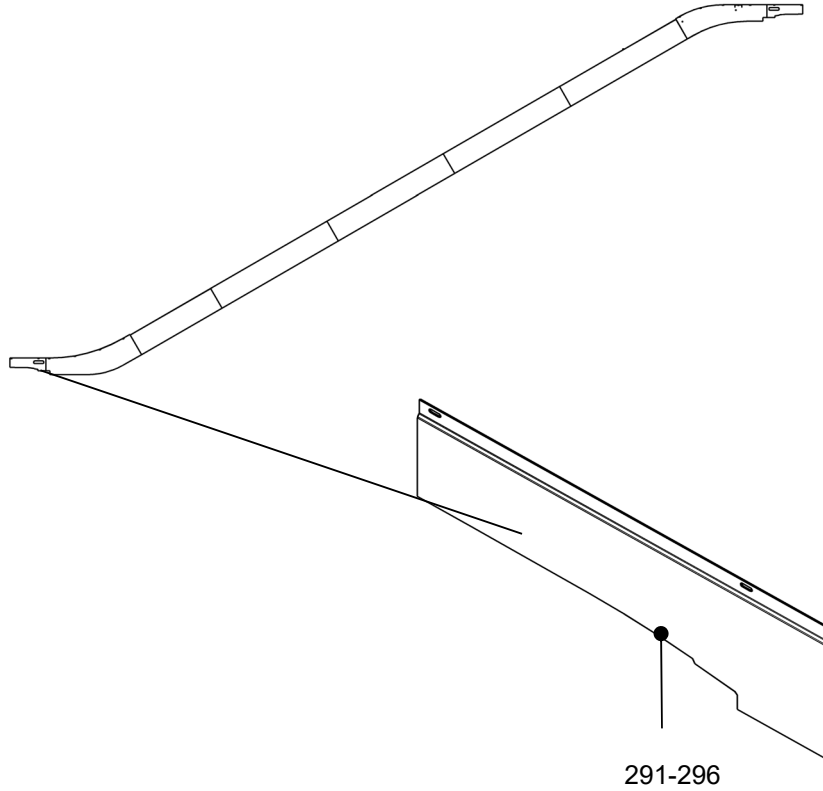
- 512NCE-ANSI, Surface finish “low friction powder coating black” .



DBA26228EK		LOWER LANDING = LL	
REF. No.	PART No.	DESCRIPTION	TYPE
285	DAA438VA1	First skirt panel, w/o comb lighting & w/o skirt panel lighting, LL Left side.	2&3 flat steps
286	DAA438VA2	First skirt panel, w/o comb lighting & w/o skirt panel lighting, LL Right side.	
287	DAA438VA5	First skirt panel, w/o comb lighting & w/ skirt panel lighting, LL Left side.	
288	DAA438VA6	First skirt panel, w/o comb lighting & w/ skirt panel lighting, LL Right side.	
289	DAA438VA9	First skirt panel, w/ comb lighting & w/o skirt panel lighting, LL Left side.	
290	DAA438VA10	First skirt panel, w/ comb lighting & w/o skirt panel lighting, LL Right side.	

First skirt panel, w/o brush lighting, for

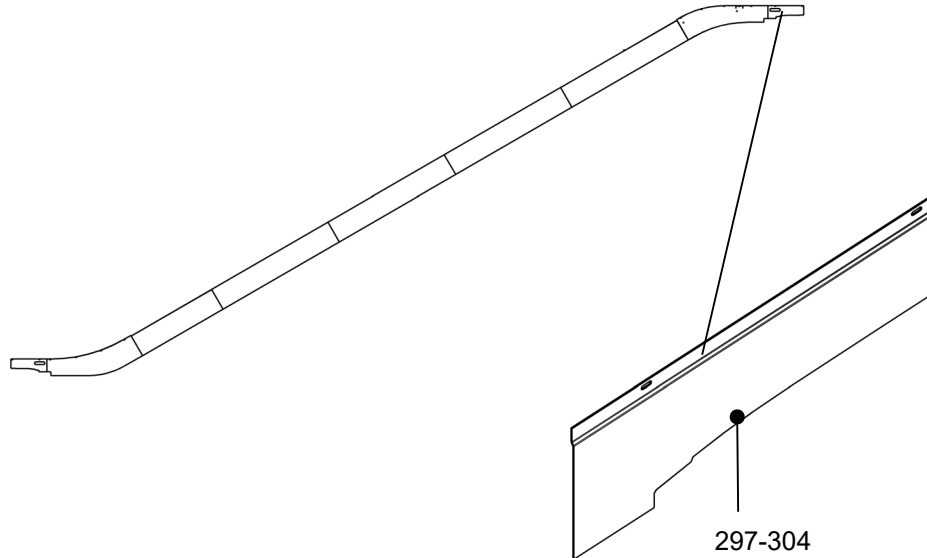
- 512NCE-ANSI, Surface finish “G2 + low friction powder coating transparent” .



DBA26228EK		LOWER LANDING = LL	
REF. No.	PART No.	DESCRIPTION	TYPE
291	DAA438VA13	First skirt panel, w/o comb lighting & w/o skirt panel lighting, LL Left side.	2&3 flat steps
292	DAA438VA14	First skirt panel, w/o comb lighting & w/o skirt panel lighting, LL Right side.	
293	DAA438VA17	First skirt panel, w/o comb lighting & w/ skirt panel lighting, LL Left side.	
294	DAA438VA18	First skirt panel, w/o comb lighting & w/ skirt panel lighting, LL Right side.	
295	DAA438VA21	First skirt panel, w/ comb lighting & w/o skirt panel lighting, LL Left side.	
296	DAA438VA22	First skirt panel, w/ comb lighting & w/o skirt panel lighting, LL Right side.	

First skirt panel, w/ brush lighting, for

- 508NCE-ANSI/512NCE-ANSI.
- 2&3flat steps.



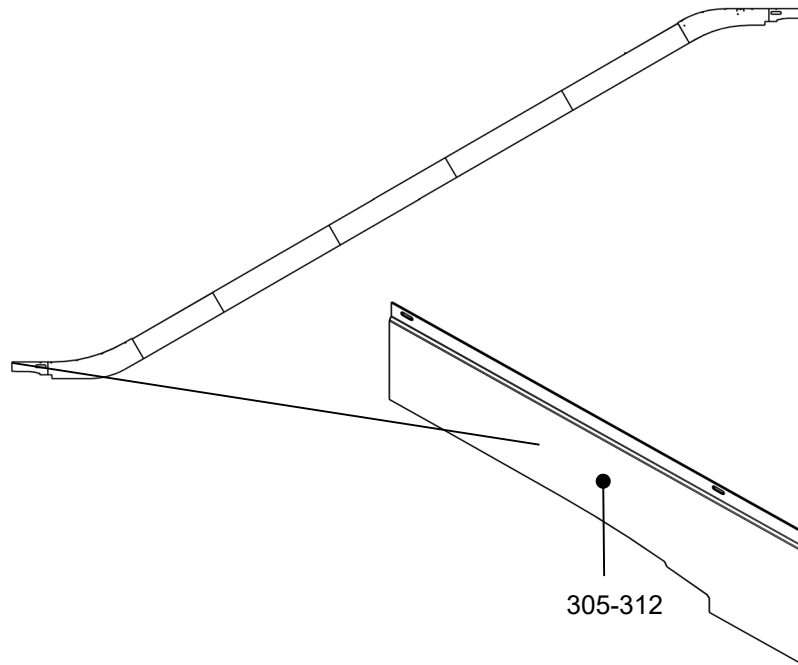
DBA26228EK		UPPER LANDING = UL	
REF. No.	PART No.	DESCRIPTION	Finish
297	DAA438TX1	First skirt panel, w/o comb lighting, UL ,Left side.	low friction powder coating black
298	DAA438TX2	First skirt panel, w/o comb lighting, UL ,Right side.	
299	DAA438TX9	First skirt panel, w/ comb lighting, UL , Left side.	
300	DAA438TX10	First skirt panel, w/ comb lighting, UL ,Right side.	
301	DAA438TX13	First skirt panel, w/o comb lighting, UL ,Left side.	G2 + low friction powder coating transparent
302	DAA438TX14	First skirt panel, w/o comb lighting, UL ,Right side.	
303	DAA438TX21	First skirt panel, w/ comb lighting, UL ,Left side.	
304	DAA438TX22	First skirt panel, w/ comb lighting, UL , Right side.	

**508NCE / 512NCE ESCALATOR  
Skirt Panel**

**57-DBA26228EK**

First skirt panel, w/ brush lighting, for

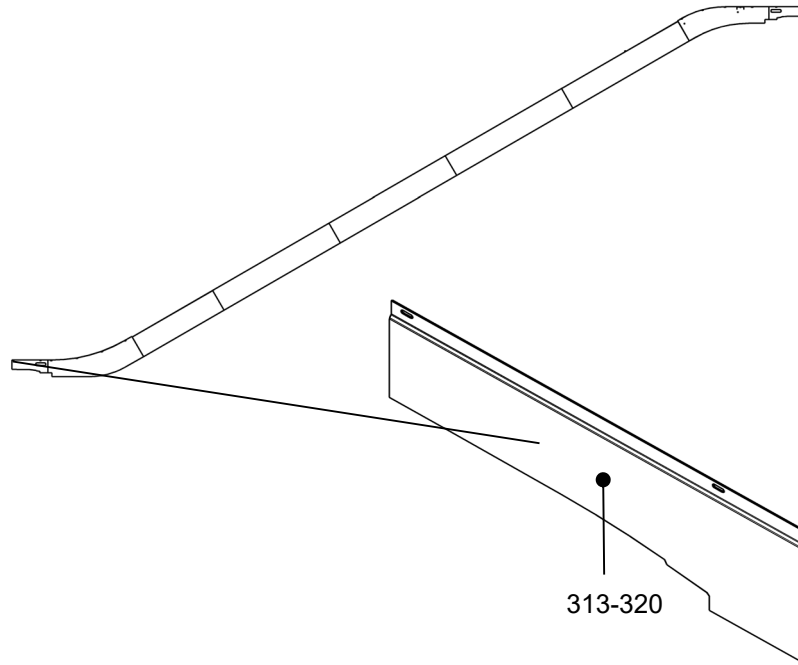
- 508NCE-ANSI.
- 2&3flat steps.



DBA26228EK		LOWER LANDING = LL	
REF. No.	PART No.	DESCRIPTION	Finish
305	DAA438TX3	First skirt panel, w/o comb lighting, LL ,Left side.	low friction powder coating black
306	DAA438TX4	First skirt panel, w/o comb lighting, LL ,Right side.	
307	DAA438TX11	First skirt panel, w/ comb lighting, LL , Left side.	
308	DAA438TX12	First skirt panel, w/ comb lighting, LL ,Right side.	
309	DAA438TX15	First skirt panel, w/o comb lighting, LL , Left side.	G2 + low friction powder coating transparent
310	DAA438TX16	First skirt panel, w/o comb lighting, LL ,Right side.	
311	DAA438TX23	First skirt panel, w/ comb lighting, LL ,Left side.	
312	DAA438TX24	First skirt panel, w/ comb lighting, LL ,Right side.	

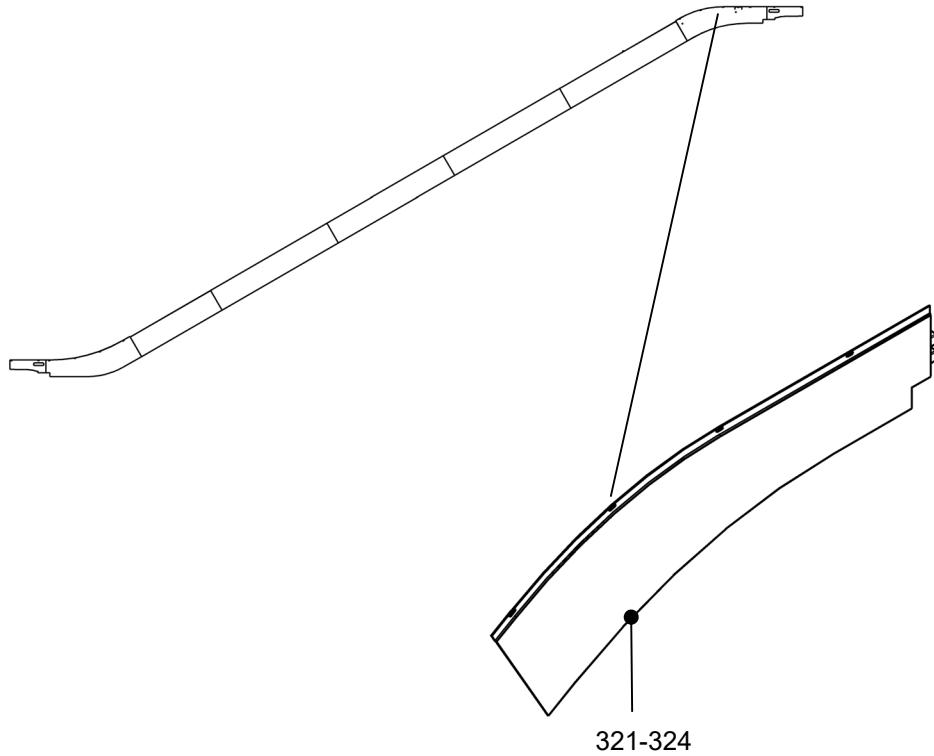
First skirt panel, w/ brush lighting, for

- 512NCE-ANSI.
- 2&3flat steps



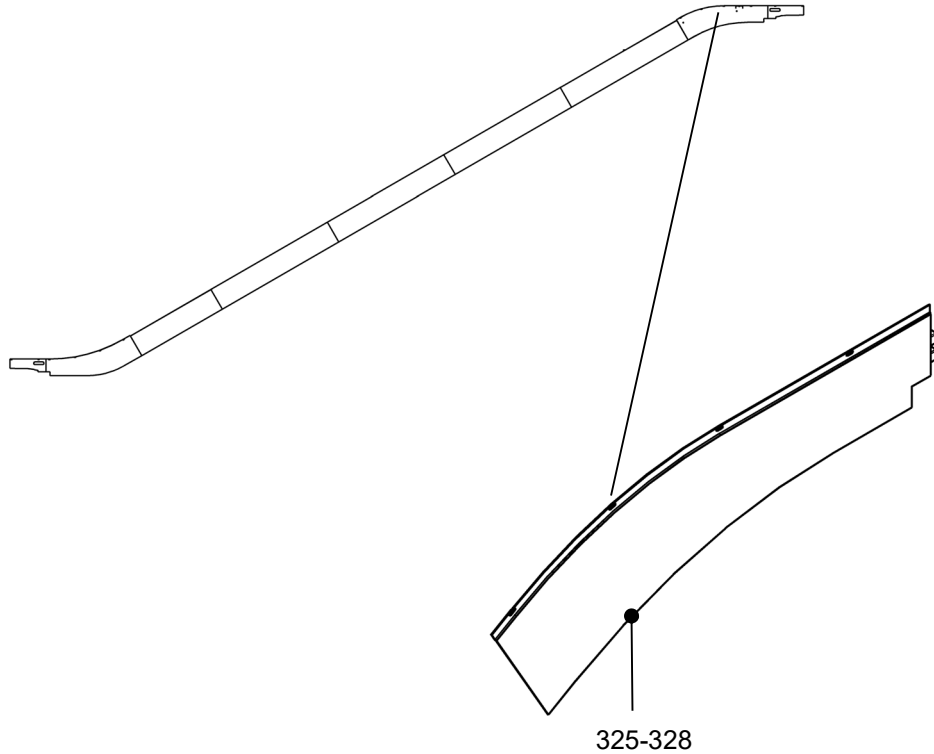
DBA26228EK		LOWER LANDING = LL	
REF. No.	PART No.	DESCRIPTION	Finish
313	DAA438TX1	First skirt panel, w/o comb lighting, LL ,Left side.	low friction powder coating black
314	DAA438TX2	First skirt panel, w/o comb lighting, LL ,Right side.	
315	DAA438TX9	First skirt panel, w/ comb lighting, LL , Left side.	
316	DAA438TX10	First skirt panel, w/ comb lighting, LL ,Right side.	
317	DAA438TX13	First skirt panel, w/o comb lighting, LL , Left side.	G2 + low friction powder coating transparent
318	DAA438TX14	First skirt panel, w/o comb lighting, LL ,Right side.	
319	DAA438TX21	First skirt panel, w/ comb lighting, LL ,Left side.	
320	DAA438TX22	First skirt panel, w/ comb lighting, LL ,Right side.	

Curve skirt panel, w/ brush lighting / with black or silver brush holder, for  
 - 508NCE-ANSI, Surface finish “low friction powder coating black” .



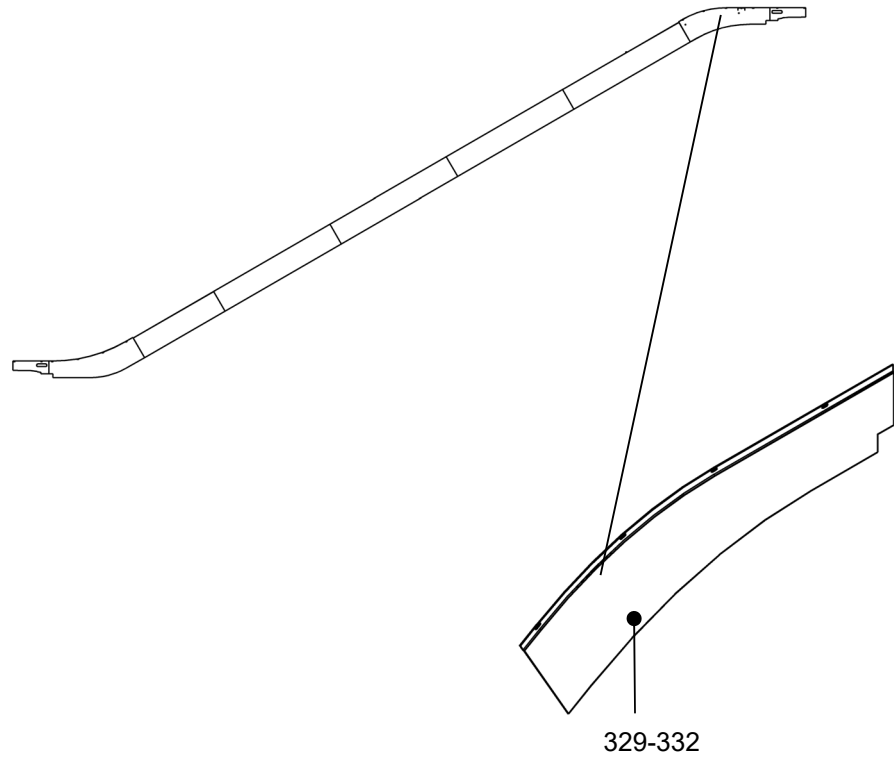
DBA26228EK		UPPER LANDING = UL	
REF. No.	PART No.	DESCRIPTION	TYPE
321	DAA438ADG1	Curve skirt panel, w/ETA, UL Left side.	2 flat steps
322	DAA438ADG2	Curve skirt panel, w/ETA, UL Right side	
323	DAA438ADG3	Curve skirt panel, w/ETA, UL Left side.	3 flat steps
324	DAA438ADG4	Curve skirt panel, w/ETA, UL Right side.	

Curve skirt panel, w/ brush lighting / with black or silver brush holder, for  
 - 508NCE-ANSI, Surface finish “G2 + low friction powder coating transparent” .



DBA26228EK		UPPER LANDING = UL	
REF. No.	PART No.	DESCRIPTION	TYPE
325	DAA438ADG9	Curve skirt panel, w/ETA, UL Left side.	2 flat steps
326	DAA438ADG10	Curve skirt panel, w/ETA, UL Right side	
327	DAA438ADG11	Curve skirt panel, w/ETA, UL Left side.	3 flat steps
328	DAA438ADG12	Curve skirt panel, w/ETA, UL Right side.	

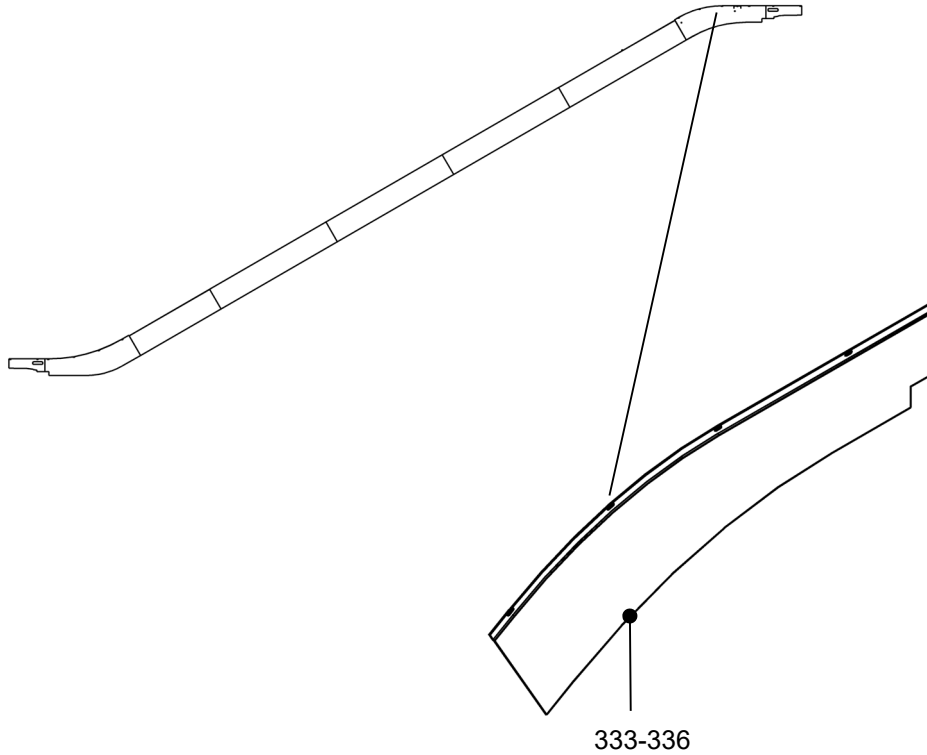
Curve skirt panel, w/ brush lighting / with black or silver brush holder, for  
 - 512NCE-ANSI, Surface finish “low friction powder coating black” .



DBA26228EK		UPPER LANDING = UL	
REF. No.	PART No.	DESCRIPTION	TYPE
329	DAA438ADG17	Curve skirt panel, w/ETA, UL Left side.	2 flat steps
330	DAA438ADG18	Curve skirt panel, w/ETA, UL Right side	
331	DAA438ADG19	Curve skirt panel, w/ETA, UL Left side.	3 flat steps
332	DAA438ADG20	Curve skirt panel, w/ETA, UL Right side.	

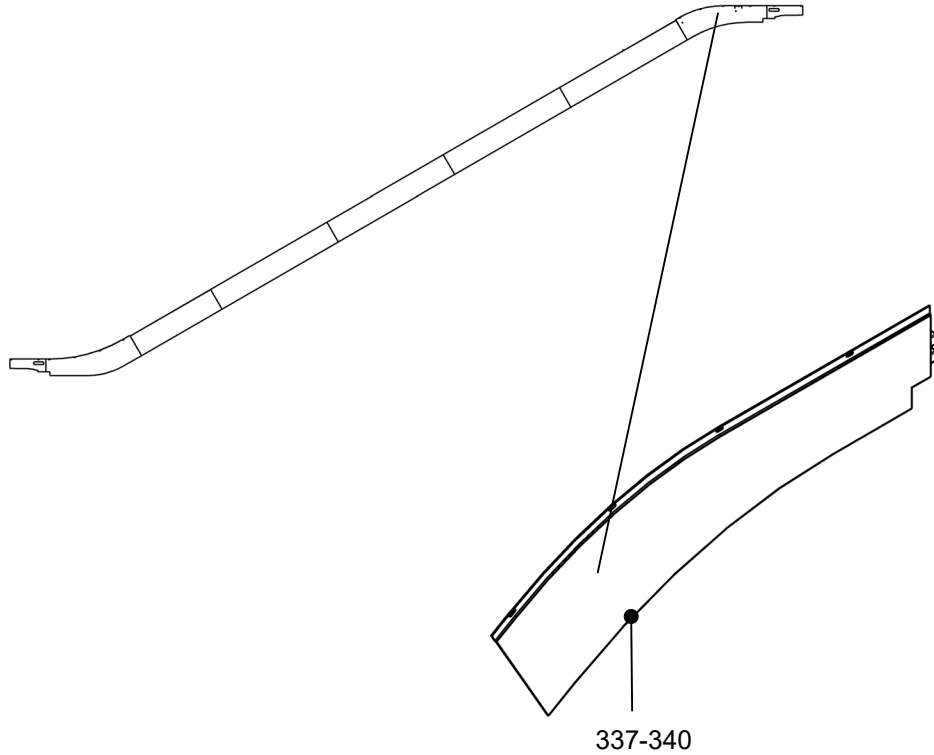


Curve skirt panel, w/ brush lighting / with black or silver brush holder, for  
 - 512NCE-ANSI, Surface finish “G2 + low friction powder coating transparent” .



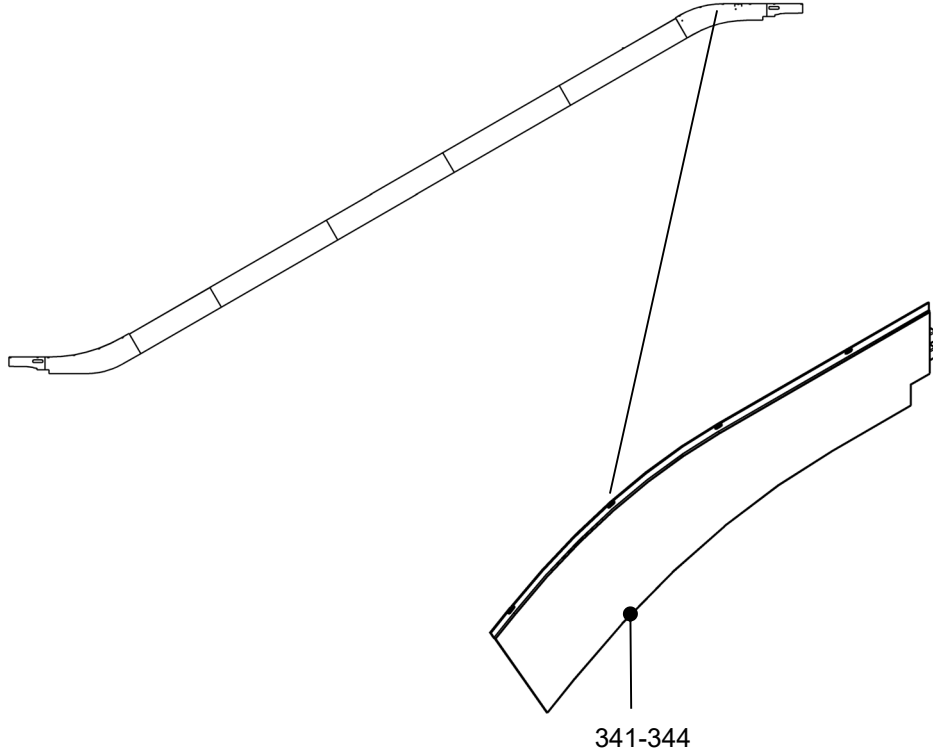
DBA26228EK		UPPER LANDING = UL	
REF. No.	PART No.	DESCRIPTION	TYPE
333	DAA438ADG25	Curve skirt panel, w/ETA, UL Left side.	2 flat steps
334	DAA438ADG26	Curve skirt panel, w/ETA, UL Right side	
335	DAA438ADG27	Curve skirt panel, w/ETA, UL Left side.	3 flat steps
336	DAA438ADG28	Curve skirt panel, w/ETA, UL Right side.	

Curve skirt panel, w/ brush lighting / with black or silver brush holder, for  
 - 508NCE-ANSI Surface finish “low friction powder coating black” .



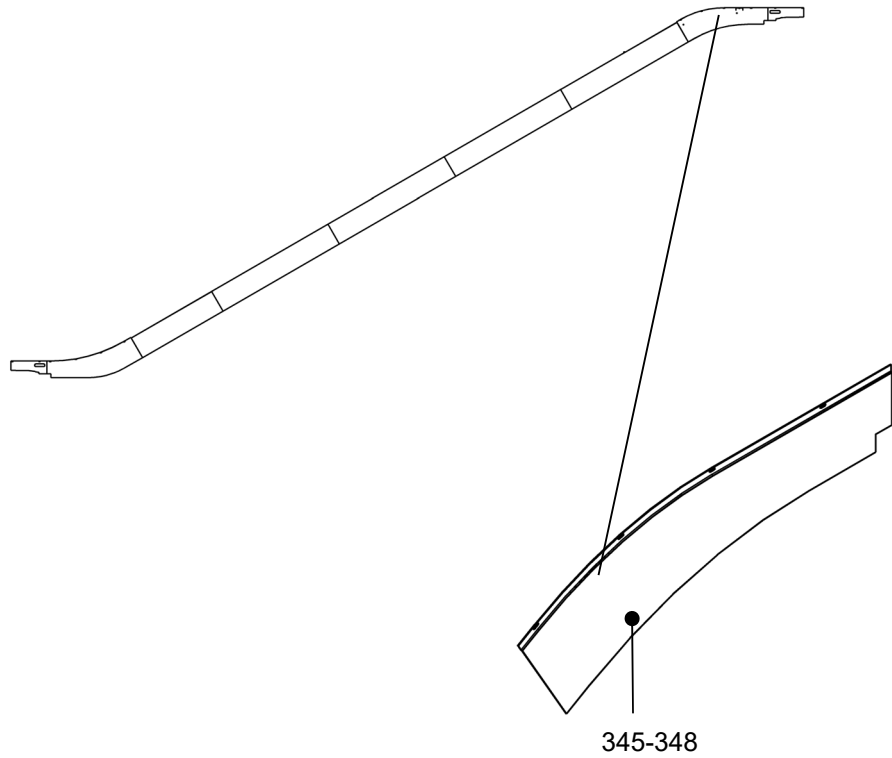
DBA26228EK		UPPER LANDING = UL	
REF. No.	PART No.	DESCRIPTION	TYPE
337	DAA438ADG33	Curve skirt panel, w/o ETA, UL Left side.	2 flat steps
338	DAA438ADG34	Curve skirt panel, w/o ETA, UL Right side	
339	DAA438ADG35	Curve skirt panel, w/o ETA, UL Left side.	3 flat steps
340	DAA438ADG36	Curve skirt panel, w/o ETA, UL Right side.	

Curve skirt panel, w/ brush lighting / with black or silver brush holder, for  
 - 508NCE-ANSI, Surface finish “G2 + low friction powder coating transparent” .



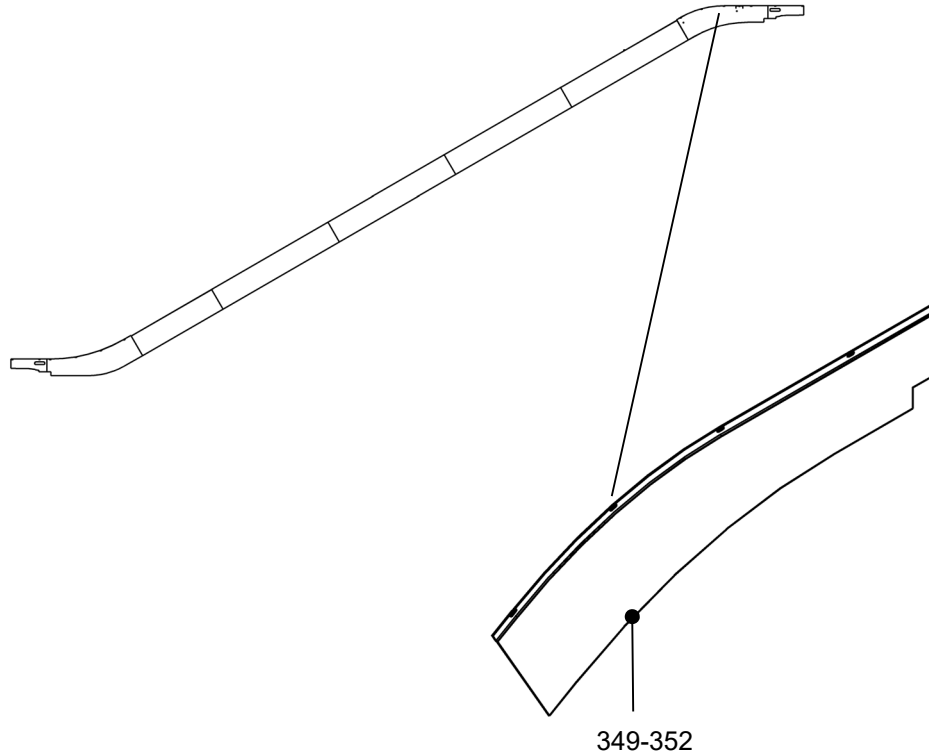
DBA26228EK		UPPER LANDING = UL	
REF. No.	PART No.	DESCRIPTION	TYPE
341	DAA438ADG41	Curve skirt panel, w/o ETA, UL Left side.	2 flat steps
342	DAA438ADG42	Curve skirt panel, w/o ETA, UL Right side	
343	DAA438ADG43	Curve skirt panel, w/o ETA, UL Left side.	3 flat steps
344	DAA438ADG44	Curve skirt panel, w/o ETA, UL Right side.	

Curve skirt panel, w/ brush lighting / with black or silver brush holder, for  
 - 512NCE-ANSI, Surface finish “low friction powder coating black” .



DBA26228EK		UPPER LANDING = UL	
REF. No.	PART No.	DESCRIPTION	TYPE
345	DAA438ADG49	Curve skirt panel, w/o ETA, UL Left side.	2 flat steps
346	DAA438ADG50	Curve skirt panel, w/o ETA, UL Right side	
347	DAA438ADG51	Curve skirt panel, w/o ETA, UL Left side.	3 flat steps
348	DAA438ADG52	Curve skirt panel, w/o ETA, UL Right side.	

Curve skirt panel, w/ brush lighting / with black or silver brush holder, for  
 - 512NCE-ANSI, Surface finish “G2 + low friction powder coating transparent” .



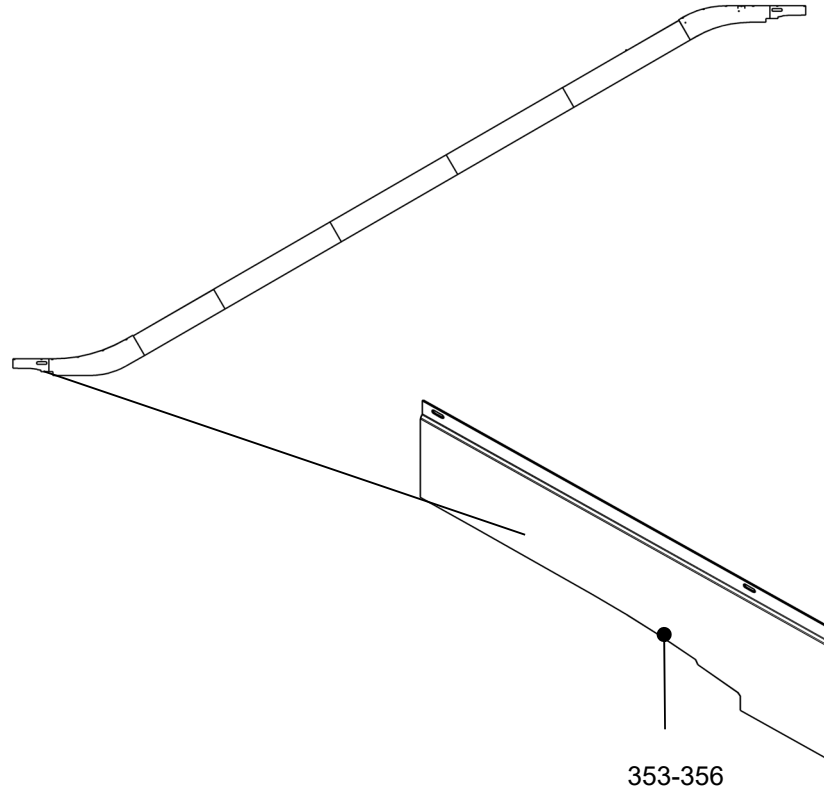
DBA26228EK		UPPER LANDING = UL	
REF. No.	PART No.	DESCRIPTION	TYPE
349	DAA438ADG57	Curve skirt panel, w/o ETA, UL Left side.	2 flat steps
350	DAA438ADG58	Curve skirt panel, w/o ETA, UL Right side	
351	DAA438ADG59	Curve skirt panel, w/o ETA, UL Left side.	3 flat steps
352	DAA438ADG60	Curve skirt panel, w/o ETA, UL Right side.	

**508NCE / 512NCE ESCALATOR  
Skirt Panel**

**57-DBA26228EK**

Curve skirt panel, w/ brush lighting / with black brush holder, for

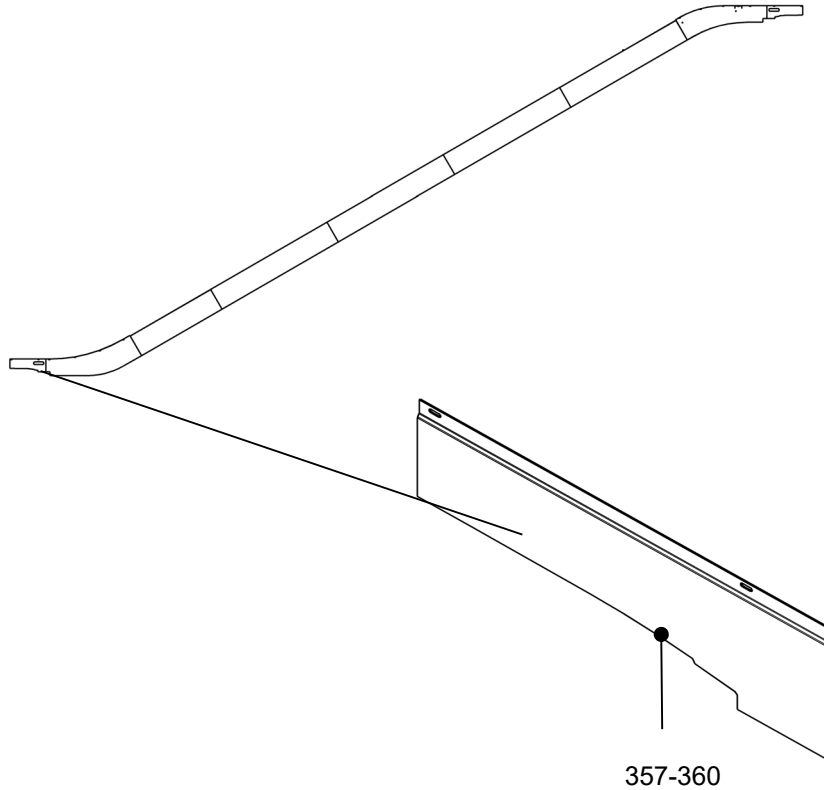
- 508NCE-ANSI/512NCE-ANSI.
- Surface finish “low friction powder coating black” .



DBA26228EK		LOWER LANDING = LL	
REF. No.	PART No.	DESCRIPTION	TYPE
353	DAA438ADF1	Curve skirt panel, w/ETA, LL Left side.	2 flat steps
354	DAA438ADF2	Curve skirt panel, w/ETA, LL Right side	
355	DAA438ADF3	Curve skirt panel, w/ETA, LL Left side.	3 flat steps
356	DAA438ADF4	Curve skirt panel, w/ETA, LL Right side.	

Curve skirt panel, w/ brush lighting / with black brush holder, for

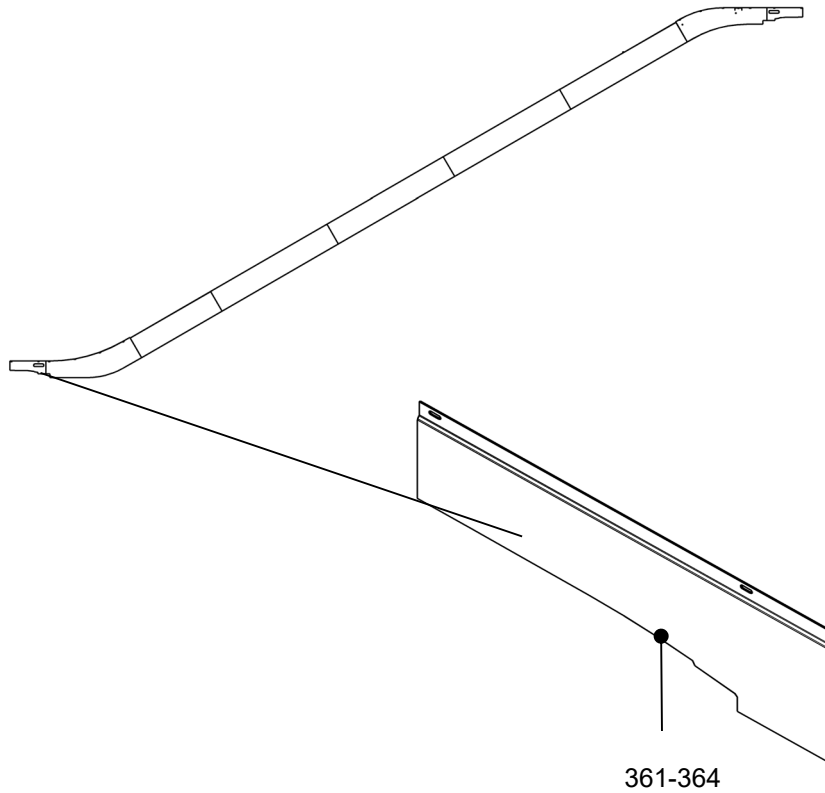
- 508NCE-ANSI/512NCE-ANSI.
- Surface finish “G2+ low friction powder coating transparent”.



DBA26228EK		LOWER LANDING = LL	
REF. No.	PART No.	DESCRIPTION	TYPE
357	DAA438ADF9	Curve skirt panel, w/ETA, LL Left side.	2 flat steps
358	DAA438ADF10	Curve skirt panel, w/ETA, LL Right side	
359	DAA438ADF11	Curve skirt panel, w/ETA, LL Left side.	3 flat steps
360	DAA438ADF12	Curve skirt panel, w/ETA, LL Right side.	

Curve skirt panel, w/ brush lighting / with black brush holder, for

- 508NCE-ANSI/512NCE-ANSI.
- Surface finish “low friction powder coating black” .

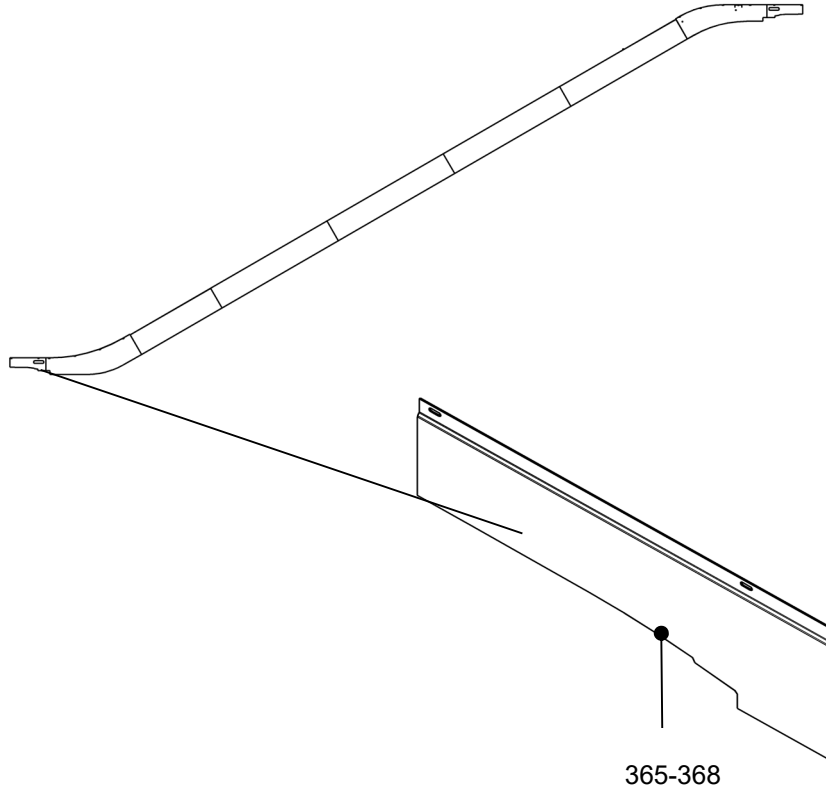


DBA26228EK		LOWER LANDING = LL	
REF. No.	PART No.	DESCRIPTION	TYPE
361	DAA438ADF33	Curve skirt panel, w/o ETA, LL Left side.	2 flat steps
362	DAA438ADF34	Curve skirt panel, w/o ETA, LL Right side	
363	DAA438ADF35	Curve skirt panel, w/o ETA, LL Left side.	3 flat steps
364	DAA438ADF36	Curve skirt panel, w/o ETA, LL Right side.	



Curve skirt panel, w/ brush lighting / with black brush holder, for

- 508NCE-ANSI/512NCE-ANSI.
- Surface finish “G2 + low friction powder coating transparent ” .



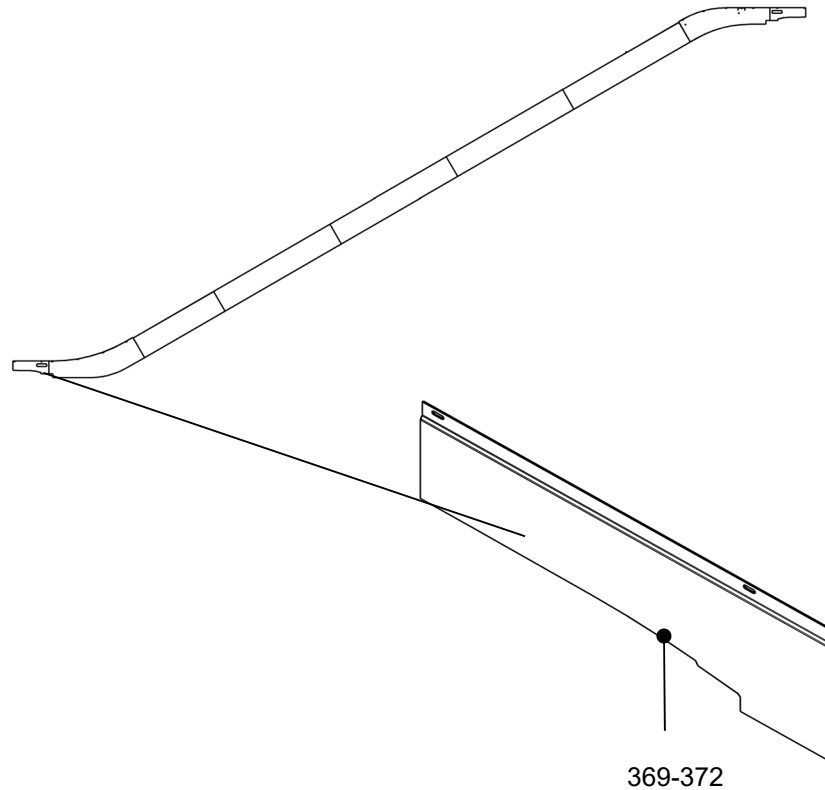
DBA26228EK		LOWER LANDING = LL	
REF. No.	PART No.	DESCRIPTION	TYPE
365	DAA438ADF41	Curve skirt panel, w/o ETA, LL Left side.	2 flat steps
366	DAA438ADF42	Curve skirt panel, w/o ETA, LL Right side	
367	DAA438ADF43	Curve skirt panel, w/o ETA, LL Left side.	3 flat steps
368	DAA438ADF44	Curve skirt panel, w/o ETA, LL Right side.	

**508NCE / 512NCE ESCALATOR  
Skirt Panel**

**57-DBA26228EK**

Curve skirt panel, w/ brush lighting / with silver brush holder, for

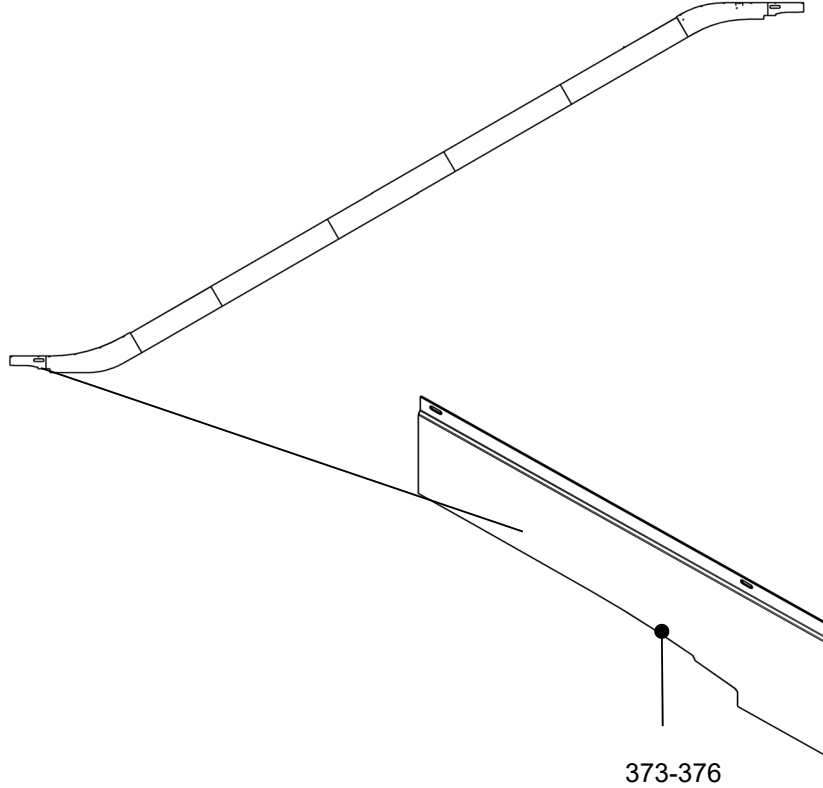
- 508NCE-ANSI/512NCE-ANSI.
- Surface finish “low friction powder coating black” .



DBA26228EK		LOWER LANDING = LL	
REF. No.	PART No.	DESCRIPTION	TYPE
369	DAA438ADF17	Curve skirt panel, w/ETA, LL Left side.	2 flat steps
370	DAA438ADF18	Curve skirt panel, w/ETA, LL Right side	
371	DAA438ADF19	Curve skirt panel, w/ETA, LL Left side.	3 flat steps
372	DAA438ADF20	Curve skirt panel, w/ETA, LL Right side.	

Curve skirt panel, w/ brush lighting / with silver brush holder, for

- 508NCE-ANSI/512NCE-ANSI.
- Surface finish "G2+ low friction powder coating transparent".



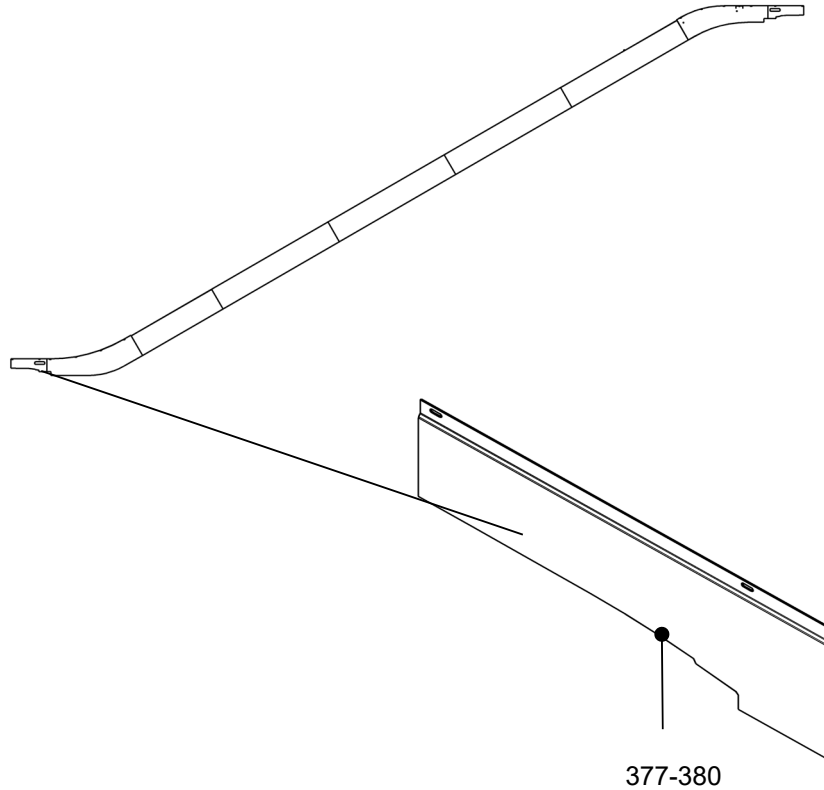
DBA26228EK		LOWER LANDING = LL	
REF. No.	PART No.	DESCRIPTION	TYPE
373	DAA438ADF25	Curve skirt panel, w/ETA, LL Left side.	2 flat steps
374	DAA438ADF26	Curve skirt panel, w/ETA, LL Right side	
375	DAA438ADF27	Curve skirt panel, w/ETA, LL Left side.	3 flat steps
376	DAA438ADF28	Curve skirt panel, w/ETA, LL Right side.	

**508NCE / 512NCE ESCALATOR  
Skirt Panel**

**57-DBA26228EK**

Curve skirt panel, w/ brush lighting / with silver brush holder, for

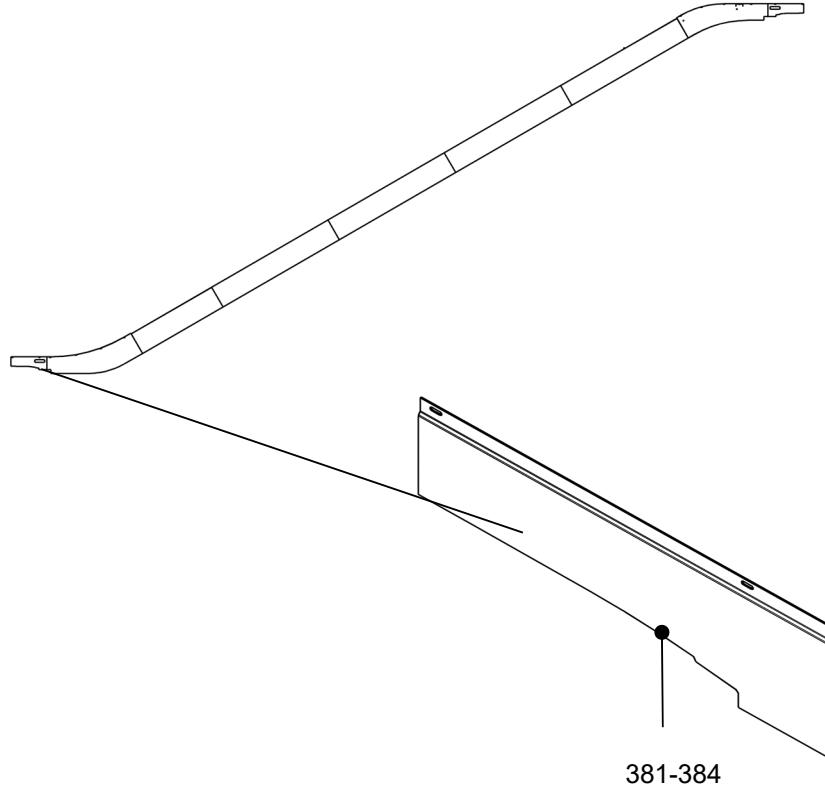
- 508NCE-ANSI/512NCE-ANSI.
- Surface finish “low friction powder coating black” .



DBA26228EK		LOWER LANDING = LL	
REF. No.	PART No.	DESCRIPTION	TYPE
377	DAA438ADF49	Curve skirt panel, w/o ETA, LL Left side.	2 flat steps
378	DAA438ADF50	Curve skirt panel, w/o ETA, LL Right side	
379	DAA438ADF51	Curve skirt panel, w/o ETA, LL Left side.	3 flat steps
380	DAA438ADF52	Curve skirt panel, w/o ETA, LL Right side.	

Curve skirt panel, w/ brush lighting / with silver brush holder, for

- 508NCE-ANSI/512NCE-ANSI.
- Surface finish “G2 + low friction powder coating transparent” .

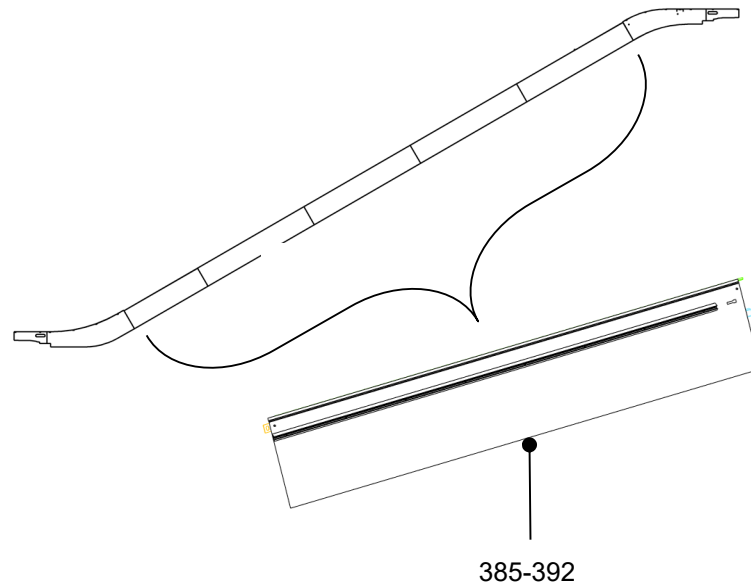


DBA26228EK		LOWER LANDING = LL	
REF. No.	PART No.	DESCRIPTION	TYPE
381	DAA438ADF57	Curve skirt panel, w/o ETA, LL Left side.	2 flat steps
382	DAA438ADF58	Curve skirt panel, w/o ETA, LL Right side	
383	DAA438ADF59	Curve skirt panel, w/o ETA, LL Left side.	3 flat steps
384	DAA438ADF60	Curve skirt panel, w/o ETA, LL Right side.	

**508NCE / 512NCE ESCALATOR  
Skirt Panel**

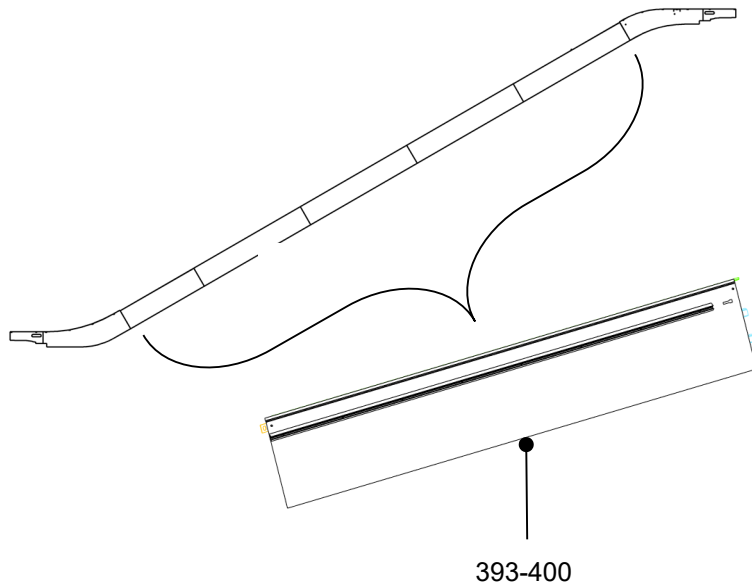
**57-DBA26228EK**

Inclined section panel, w/ brush lighting , for  
- 508NCE-ANSI.



DBA26228EK			
REF. No.	PART No.	DESCRIPTION	finish
385	DAA438AHC9	Inclined section panel, Left side, black brush holder.	low friction powder coating black
386	DAA438ADH10	Inclined section panel, Right side, black brush holder.	
387	DAA438ADH33	Inclined section panel, Left side,silver brush holder	
388	DAA438ADH34	Inclined section panel, Right side,silver brush holder	
389	DAA438ADH13	Inclined section panel, Left side , black brush holder.	G2+low friction powder coating transparent
390	DAA438ADH14	Inclined section panel, Right side, black brush holder.	
391	DAA438ADH37	Inclined section panel, Left side,silver brush holder	
392	DAA438ADH38	Inclined section panel, Right side,silver brush holder	

Inclined section panel, w/ brush lighting / with black brush holder, for  
 - 512NCE-ANSI, Surface finish “low friction powder coating black” .

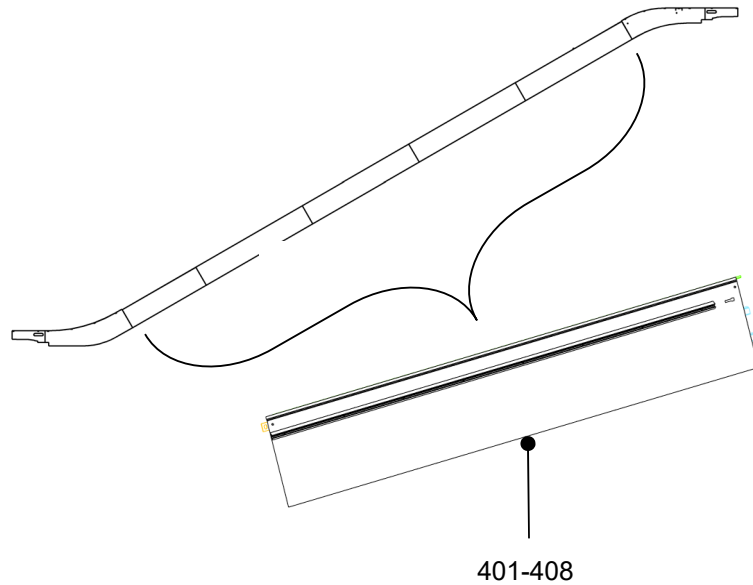


DBA26228EK			
REF. No.	PART No.	DESCRIPTION	finish
393	DAA438ADH17	Inclined section panel, Left side, black brush holder.	low friction powder coating black
394	DAA438ADH18	Inclined section panel, Right side, black brush holder.	
395	DAA438ADH41	Inclined section panel, Left side,silver brush holder	
396	DAA438ADH42	Inclined section panel, Right side,silver brush holder	
397	DAA438ADH21	Inclined section panel, Left side , black brush holder.	G2+low friction powder coating transparent
398	DAA438ADH22	Inclined section panel, Right side, black brush holder.	
399	DAA438ADH45	Inclined section panel, Left side,silver brush holder	
400	DAA438ADH46	Inclined section panel, Right side,silver brush holder	

**508NCE / 512NCE ESCALATOR  
Skirt Panel**

**57-DBA26228EK**

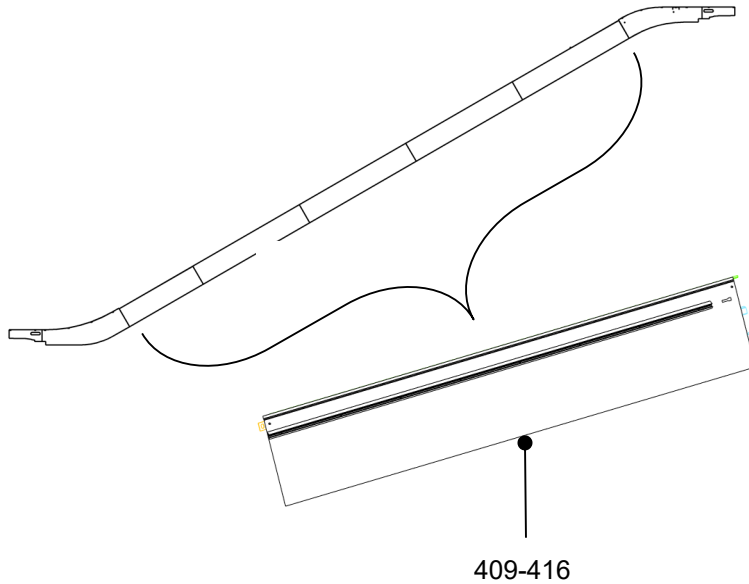
Inclined section skirt panel, constant length, w/ brush lighting, for  
- 508NCE-ANSI/512NCE-ANSI.



DBA26228EK			
REF. No.	PART No.	DESCRIPTION	Finish
401	DAA438ADH1	Inclined section skirt panel, constant length, Left side. black brush holder	<b>low friction powder coating black</b>
402	DAA438ADH2	Inclined section skirt panel, constant length, Right side black brush holder	
403	DAA438ADH25	Inclined section skirt panel, constant length, Left side. silver brush holder	
404	DAA438ADH26	Inclined section skirt panel, constant length, Right side silver brush holder	
405	DAA438ADH5	Inclined section skirt panel, constant length, Left side. black brush holder	<b>G2+low friction powder coating transparent</b>
406	DAA438ADH6	Inclined section skirt panel, constant length, Right side. black brush holder	
407	DAA438ADH29	Inclined section skirt panel, constant length, Left side. silver brush holder	
408	DAA438ADH30	Inclined section skirt panel, constant length, Right side silver brush holder	

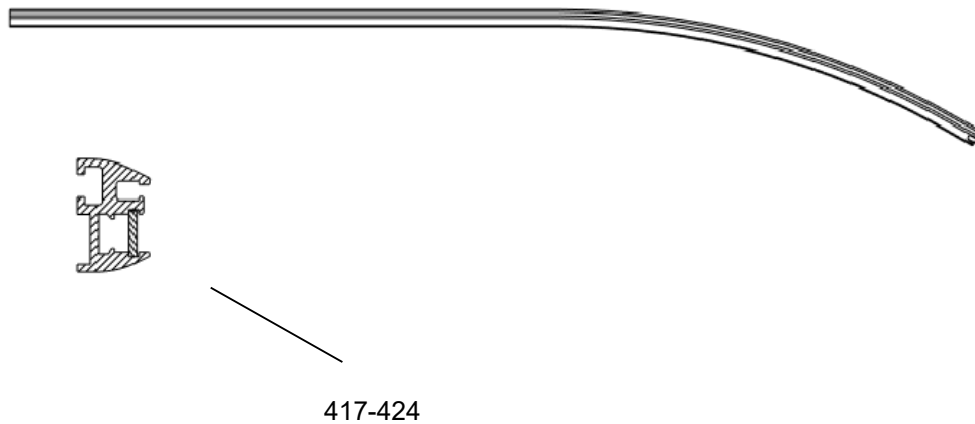


Inclined section skirt panel, VAR. Length, w/ brush lighting, for  
 - 508NCE-ANSI/512NCE-ANSI.



DBA26228EK			
REF. No.	PART No.	DESCRIPTION	Finish
409	DAA438ADH-V1	Inclined section skirt panel, var. Length (per Spec) Left side. black brush holder	low friction powder coating black
410	DAA438ADH-V2	Inclined section skirt panel, var. Length (per Spec) Right side black brush holder	
413	DAA438ADH-V17	Inclined section skirt panel, var. Length (per Spec) Left side. silver brush holder	
414	DAA438ADH-V18	Inclined section skirt panel, var. Length (per Spec) Right side silver brush holder	
411	DAA438ADH-V9	Inclined section skirt panel, var. Length (per Spec) Left side. black brush holder	G2+low friction powder coating transparent
412	DAA438ADH-V10	Inclined section skirt panel, var. Length (per Spec) Right side black brush holder	
415	DAA438ADH-V25	Inclined section skirt panel, var. Length (per Spec) Left side. silver brush holder	
416	DAA438ADH-V26	Inclined section skirt panel, var. Length (per Spec) Right side silver brush holder	

Curve skirt brush holder , w/ brush lighting, for  
- 508NCE-ANSI



DBA26228EK		UPPER LANDING = UL	
REF. No.	PART No.	DESCRIPTION	TYPE
417	DAA402ABZ1	Curve skirt brush holder, black, left side.	2 flat steps
418	DAA402ABZ2	Curve skirt brush holder, black, right side.	
419	DAA402ABZ21	Curve skirt brush holder, silver, left side.	
420	DAA402ABZ22	Curve skirt brush holder, silver, right side.	
421	DAA402ABZ3	Curve skirt brush holder, black, left side.	3 flat steps
422	DAA402ABZ4	Curve skirt brush holder, black, right side.	
423	DAA402ABZ23	Curve skirt brush holder, silver, left side.	
424	DAA402ABZ24	Curve skirt brush holder, silver, right side.	

Curve skirt brush holder , w/ brush lighting, for  
- 512NCE-ANSI

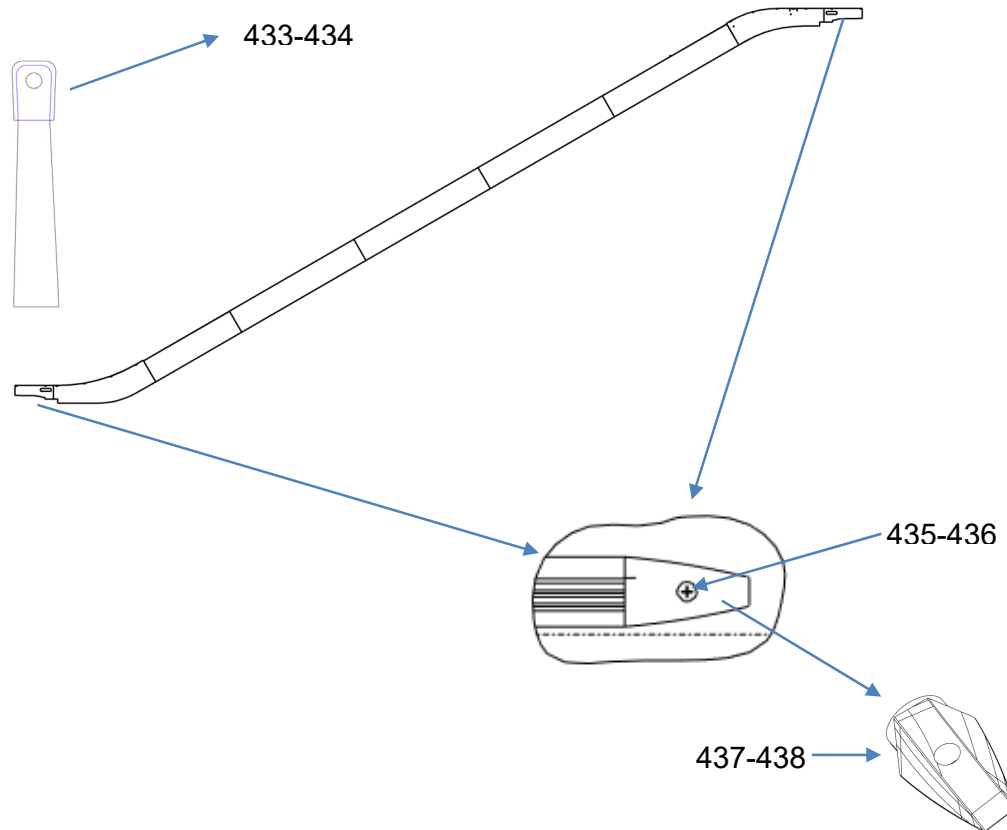


425-432

DBA26228EK		UPPER LANDING = UL	
REF. No.	PART No.	DESCRIPTION	TYPE
425	DAA402ABZ5	Curve skirt brush holder, black, left side.	2 flat steps
426	DAA402ABZ6	Curve skirt brush holder, black, right side.	
427	DAA402ABZ25	Curve skirt brush holder, silver, left side.	
428	DAA402ABZ26	Curve skirt brush holder, silver, right side.	
429	DAA402ABZ7	Curve skirt brush holder, black, left side.	3 flat steps
430	DAA402ABZ8	Curve skirt brush holder, black, right side.	
431	DAA402ABZ27	Curve skirt brush holder, silver, left side.	
432	DAA402ABZ28	Curve skirt brush holder, silver, right side.	

The spare part of skirt obstruct device, for

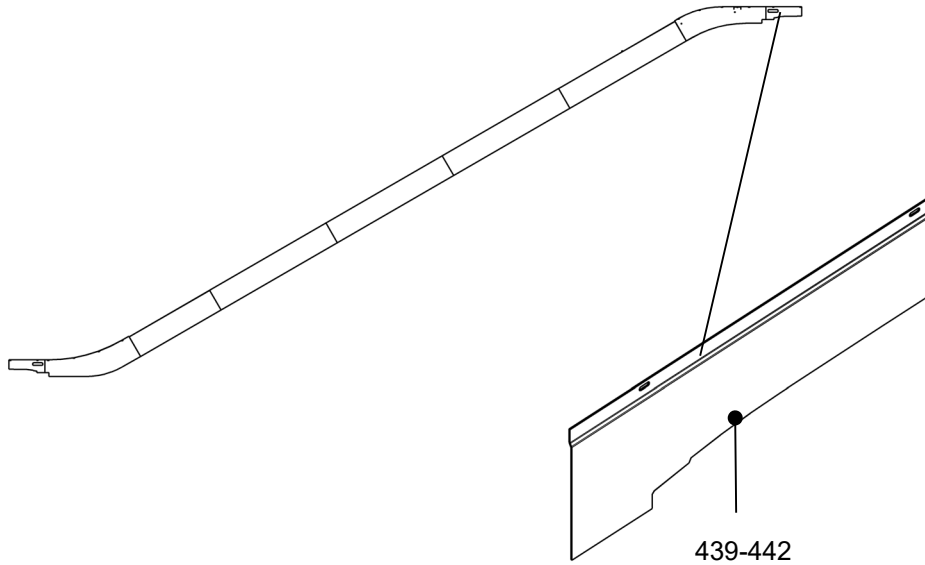
- 508NCE-ANSI;
- 512NCE-ANSI.



		DBA26228EK
REF. No.	PART No.	DESCRIPTION
433	HAA241AT2	INCLINE BRUSH
434	HAA241AT4	LADDING BRUSH
435	XAA65GL2	M4 T BOLT GROUP
436	GB819.1/M4X20H-4.8-Z	NUT
437	XAA273DM3	END CAP
438	XAA273DM4	END CAP

First skirt panel, w/ brush lighting, for

- 508NCE-ANSI, Surface finish “low friction powder coating black” ;
- 512NCE-ANSI, Surface finish “low friction powder coating black”.



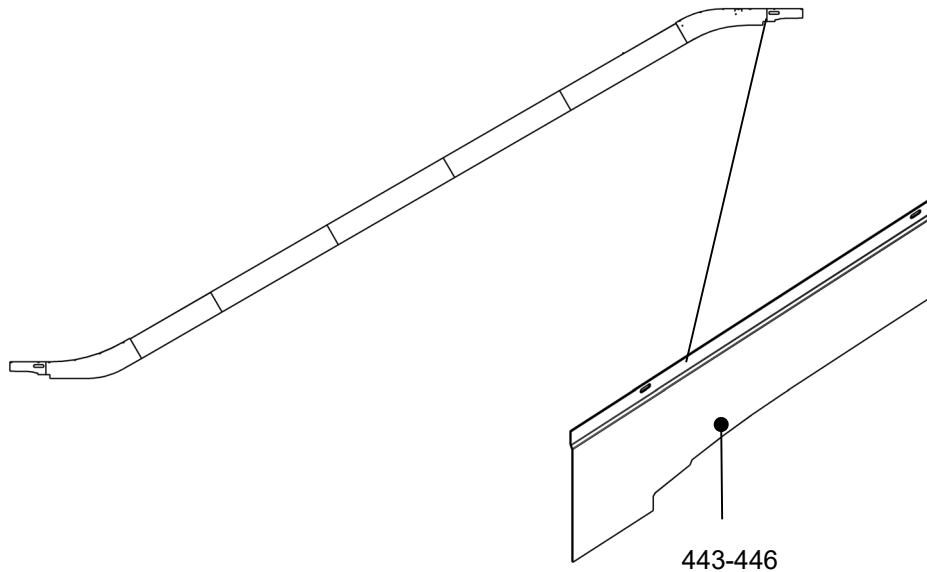
DBA26228EK		UPPER LANDING = UL	
REF. No.	PART No.	DESCRIPTION	TYPE
439	DAA438VA1	First skirt panel, w/o comb lighting, UL Left side.	2&3 flat steps
440	DAA438VA2	First skirt panel, w/o comb lighting, UL Right side.	
441	DAA438VA9	First skirt panel, w/ comb lighting, UL Left side.	
442	DAA438VA10	First skirt panel, w/ comb lighting, UL Right side.	

**508NCE / 512NCE ESCALATOR  
Skirt Panel**

**57-DBA26228EK**

First skirt panel, w/ brush lighting, for

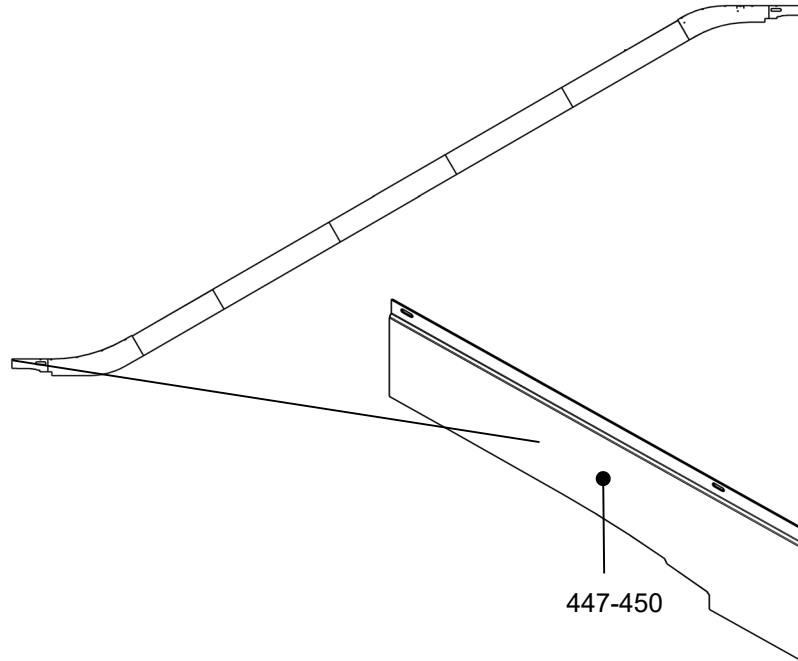
- 508NCE-ANSI , Surface finish “G2 + low friction powder coating transparent” ;
- 512NCE-ANSI, Surface finish “G2 + low friction powder coating transparent” .



DBA26228EK		UPPER LANDING = UL	
REF. No.	PART No.	DESCRIPTION	TYPE
443	DAA438VA13	First skirt panel, w/o comb lighting, UL Left side.	2&3 flat steps
444	DAA438VA14	First skirt panel, w/o comb lighting, UL Right side.	
445	DAA438VA21	First skirt panel, w/ comb lighting, UL Left side.	
446	DAA438VA22	First skirt panel, w/ comb lighting, UL Right side.	

First skirt panel, w/ brush lighting, for

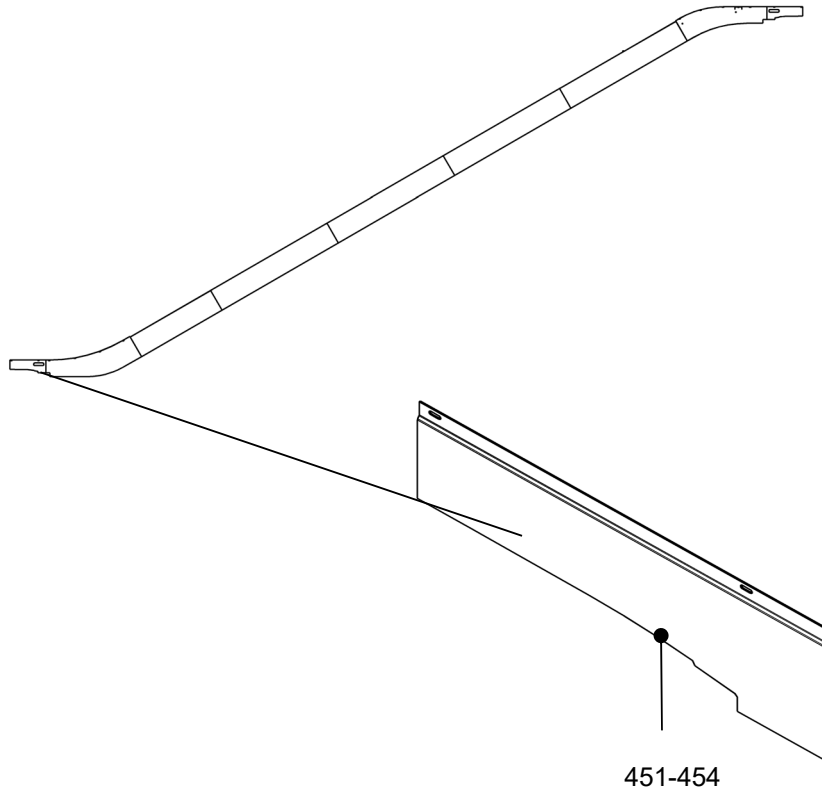
- 508NCE-ANSI Surface finish “low friction powder coating black” .



DBA26228EK		LOWER LANDING = LL	
REF. No.	PART No.	DESCRIPTION	TYPE
447	DAA438VA3	First skirt panel, w/o comb lighting, LL Left side.	2&3 flat steps
448	DAA438VA4	First skirt panel, w/o comb lighting, LL Right side.	
449	DAA438VA11	First skirt panel, w/ comb lighting, LL Left side.	
450	DAA438VA12	First skirt panel, w/ comb lighting, LL Right side.	

First skirt panel, w/ brush lighting, for

- 508NCE-ANSI, Surface finish “G2 + low friction powder coating transparent” .



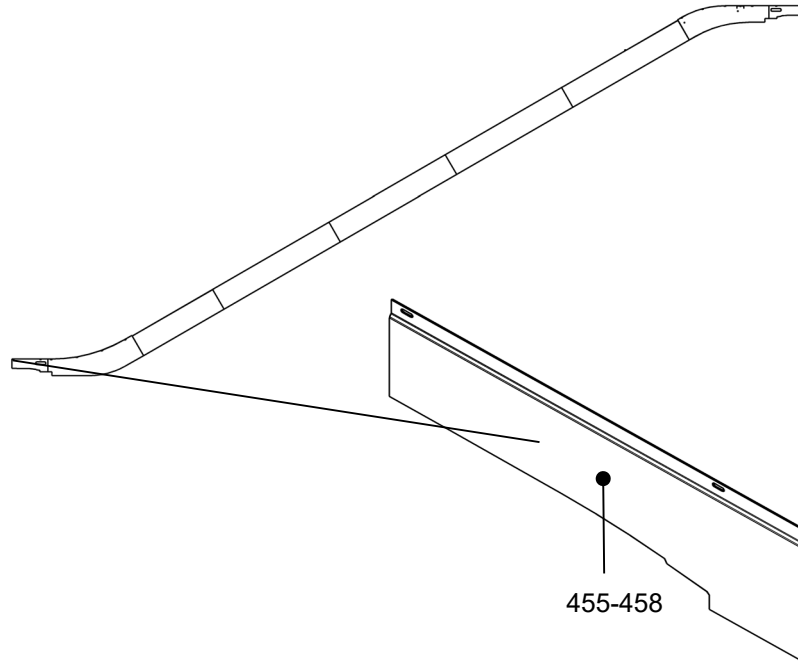
451-454

DBA26228EK		LOWER LANDING = LL	
REF. No.	PART No.	DESCRIPTION	TYPE
451	DAA438VA15	First skirt panel, w/o comb lighting, LL Left side.	2&3 flat steps
452	DAA438VA16	First skirt panel, w/o comb lighting, LL Right side.	
453	DAA438VA23	First skirt panel, w/ comb lighting, LL Left side.	
454	DAA438VA24	First skirt panel, w/ comb lighting, LL Right side.	



First skirt panel, w/ brush lighting, for

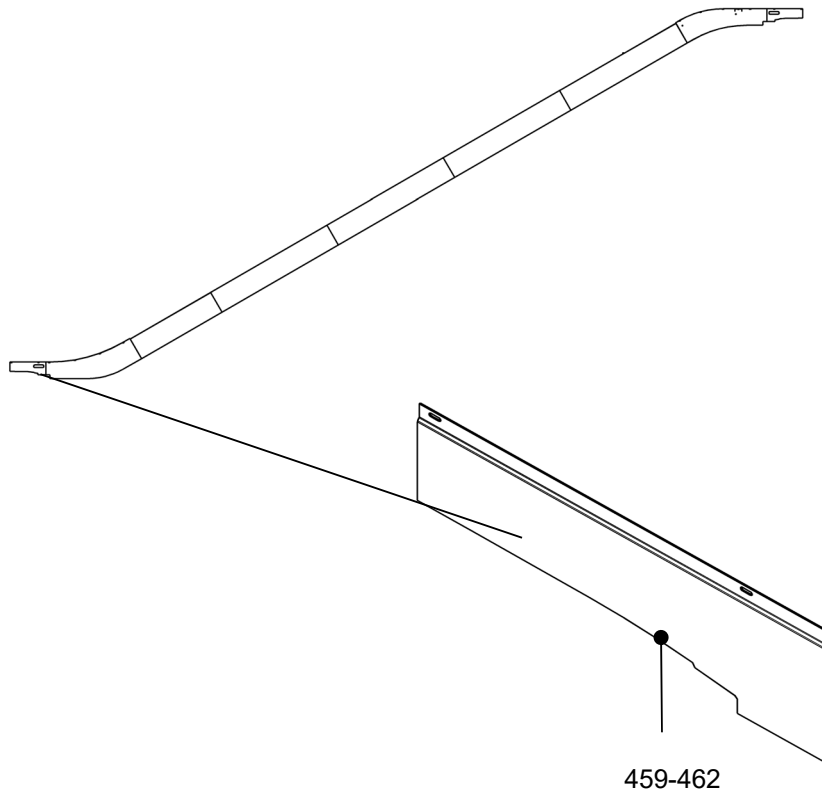
- 512NCE-ANSI, Surface finish “low friction powder coating black” .



DBA26228EK		LOWER LANDING = LL	
REF. No.	PART No.	DESCRIPTION	TYPE
455	DAA438VA1	First skirt panel, w/o comb lighting, LL Left side.	2&3 flat steps
456	DAA438VA2	First skirt panel, w/o comb lighting, LL Right side.	
457	DAA438VA9	First skirt panel, w/ comb lighting, LL Left side.	
458	DAA438VA10	First skirt panel, w/ comb lighting, LL Right side.	

First skirt panel, w/ brush lighting, for

- 512NCE-ANSI, Surface finish “G2 + low friction powder coating transparent” .



DBA26228EK		LOWER LANDING = LL	
REF. No.	PART No.	DESCRIPTION	TYPE
459	DAA438VA13	First skirt panel, w/o comb lighting, LL Left side.	2&3 flat steps
460	DAA438VA14	First skirt panel, w/o comb lighting, LL Right side.	
461	DAA438VA21	First skirt panel, w/ comb lighting, LL Left side.	
462	DAA438VA22	First skirt panel, w/ comb lighting, LL Right side.	