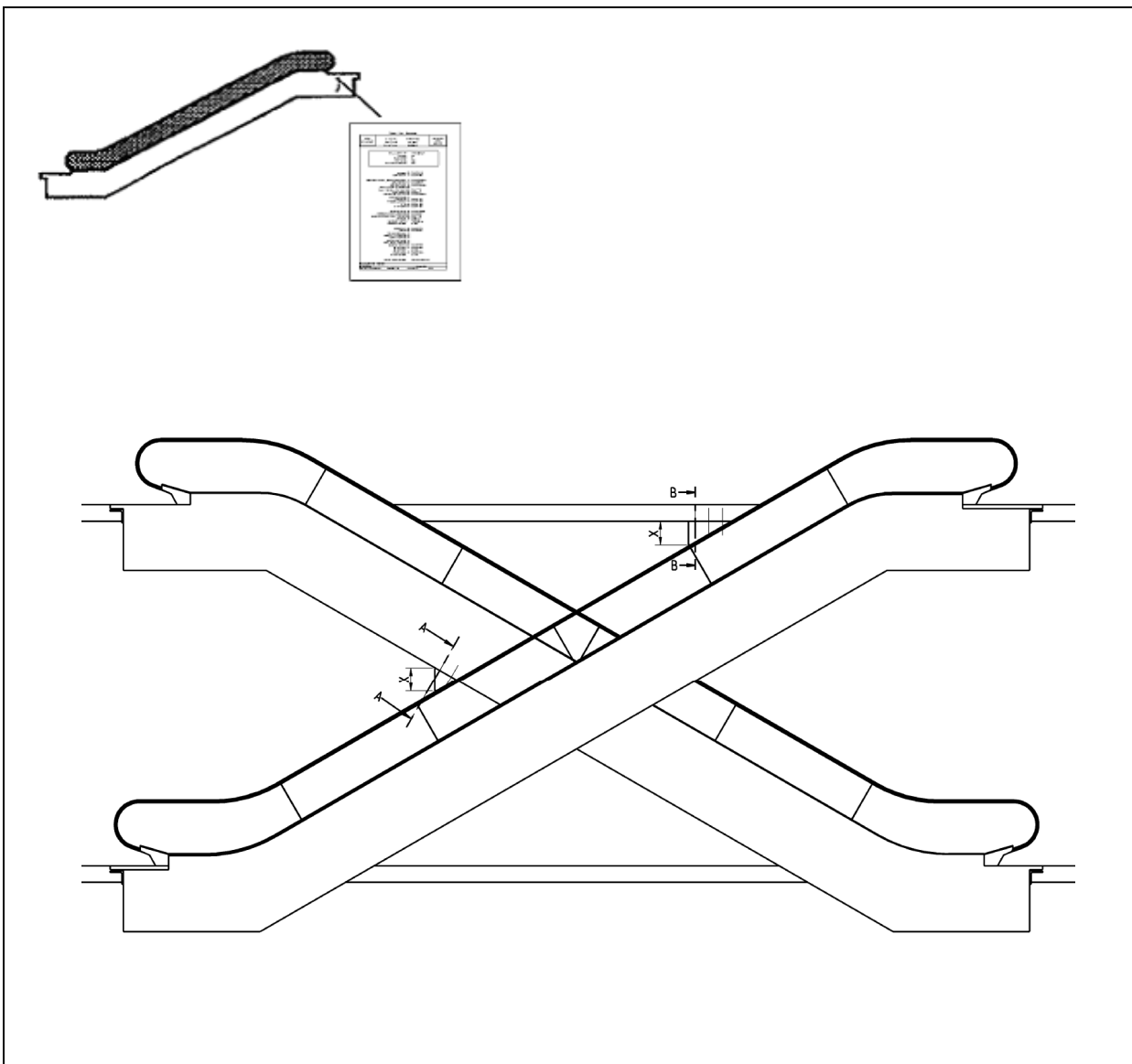


**508NCE/512NCE ESCALATOR  
WEDGE GUARD**

**Spare Parts Leaflet**  
**57 - GAA26220CC**  
Mar. 01, 2018 / Page 1 of 3



Unpublished Work—© Otis Elevator Co.; 2004

**OTIS**

**Safety First!**

**ESCALATOR ENGINEERING**  
Otis Elevator Company  
SIT GUANGZHOU

**508NCE/512NCE ESCALATOR**  
**57 – GAA26220CC**

**History**

**Leaflet Description**

**Wedge guard for 30°ANSI**

**Leaflet Revisions**

<b>Date Revised</b>	<b>Subject Matter Expert</b>	<b>Reason for Revision</b>
2018-03-01	Gao Yinglin	Original

**Related Drawings**

<b>Drawing No.</b>	<b>Title</b>	<b>Drawing No.</b>	<b>Title</b>
GAA26220CC	Wedge guard for 30° ANSI		

**Related Documents**

<b>Document ID</b>	<b>Title</b>
ODS DAA27076FW	Attached parts

**Subject Matter Expert**

<b>Name</b>	<b>Department</b>
Gao Yinglin	SIT-GUANGZHOU

**About Spare Parts Leaflets...**

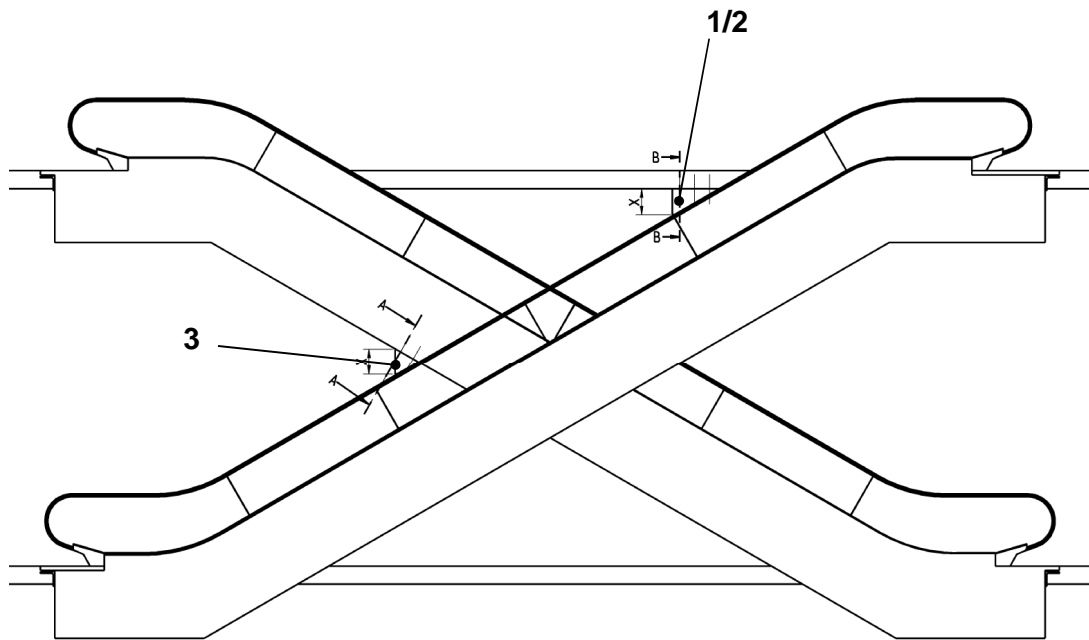
This document lists the lowest replaceable units (LRUs) for the standard version of the product. The LRUs are chosen by a team of Otis associates representing engineering and manufacturing.

While goal of this document is to make parts identification as easy as possible, the document cannot be all-inclusive. Elevator and escalator contracts classified as “special” or “custom” are not addressed here. For such contracts, please refer to specified information, the contract folder, TIPs, Field Education Articles, Construction Letters, etc. for further information.

If you have any suggestions about this document, please contact the subject matter expert listed on this page.

**508NCE/512NCE ESCALATOR  
WEDGE GUARD**

**Spare Parts Leaflet  
57 - GAA26220CC**



GAA26220CC			
REF. No.	PART No.	DESCRIPTION	
1	GAA26220CC1	Wedge guard for ceiling deck, right	Opposite
2	GAA26220CC2	Wedge guard for ceiling deck, left	As shown
3	GAA26220CC3	Wedge guard for criss cross, both sides	As shown