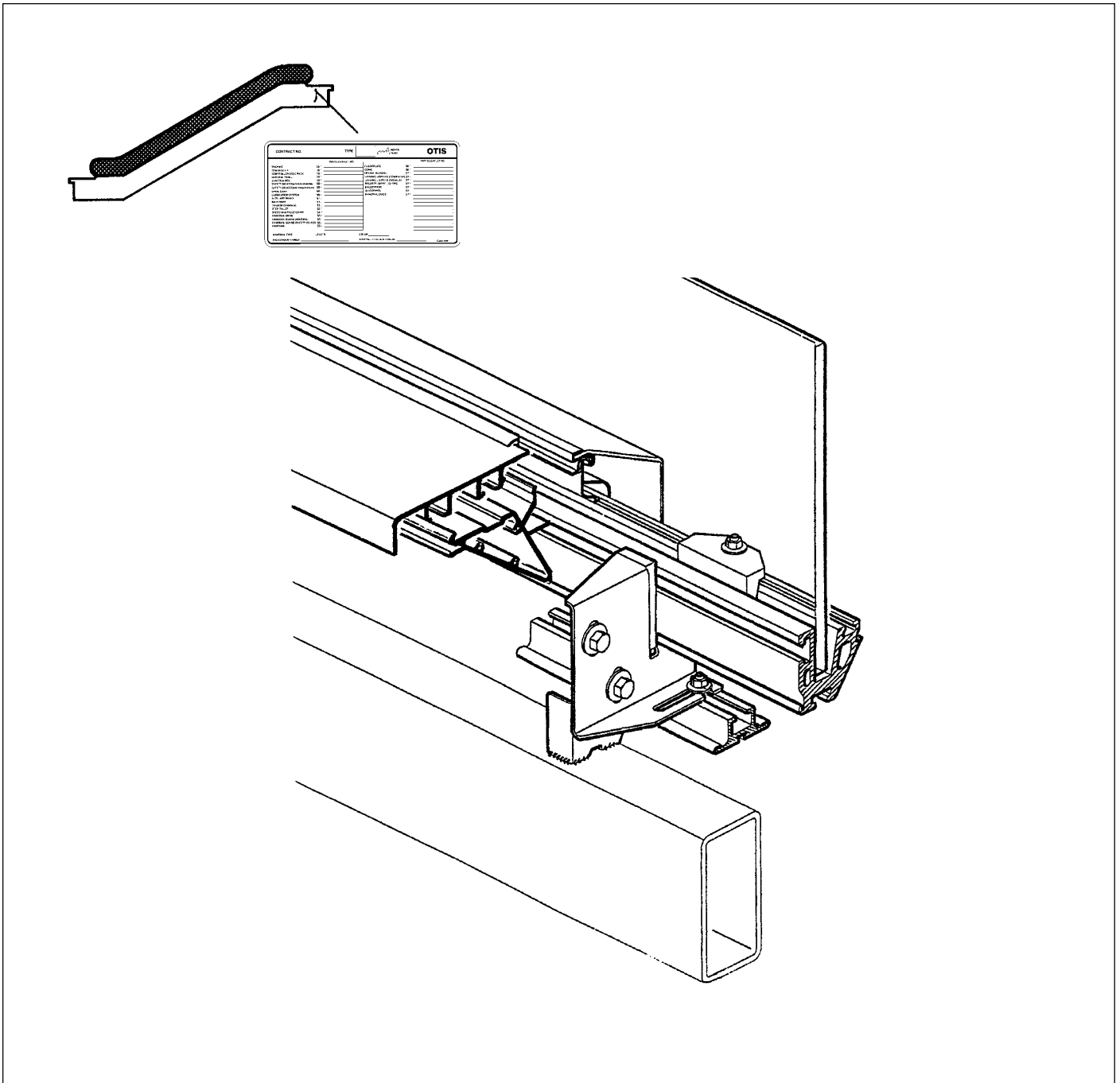


Escalator 506 NCE Balustrade St.St.

57-G..26225BF



OTIS

Escalator 506NCE Balustrade St.St.

ASME A17.1 St.St.
ASME A17.1/N.Y.

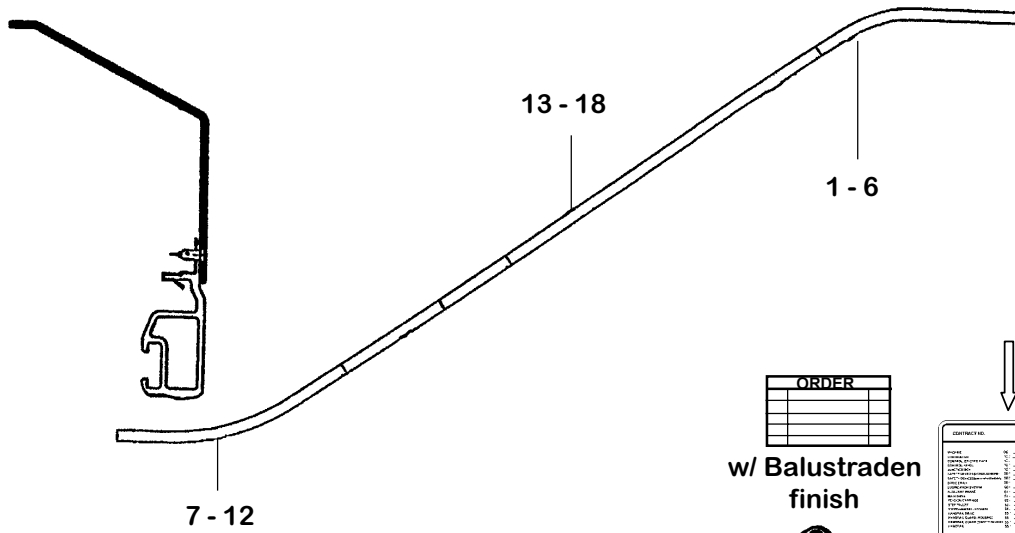
w/o



2 Flat Steps



30°



ORDER	

w/ Balustraden
finish



PARTS LIST		OTIS	

**For the N.Y.-Escalators,
contract no.356630/31:
At the first replacement, please
replace right and left side of the
curved parts.**

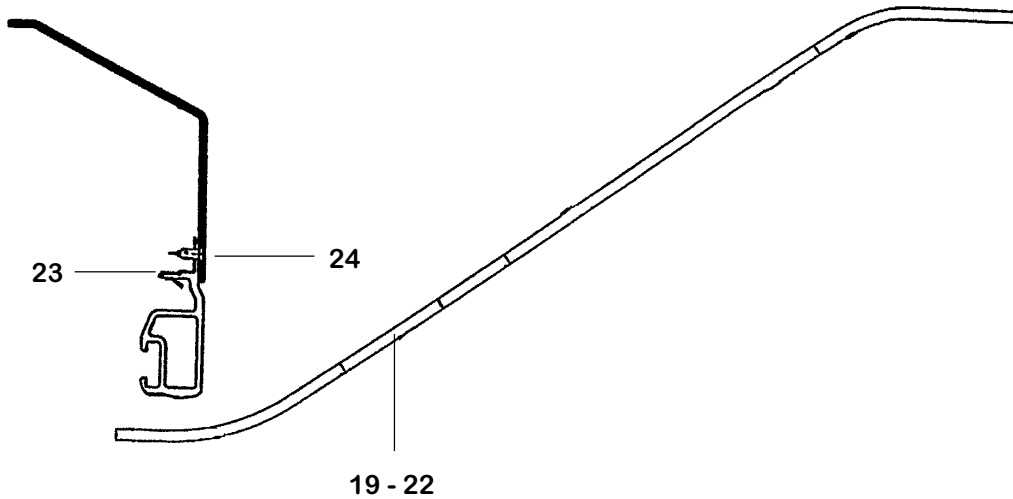
GAA26225BF

REF.NO.	PART OR M.L.	DESCRIPTION			
1	GAA402BTY7	Interior Moulding			Balustraden finish G2
2	GAA402BTY8	Interior Moulding			
3	GAA402BTY9	Interior Moulding	(N.Y.)		
4	GAA402BTY23	Interior Moulding			
5	GAA402BTY24	Interior Moulding			
6	GAA402BTY25	Interior Moulding	(N.Y.)		
7	GAA402BTX7	Interior Moulding			Balustraden finish G2
8	GAA402BTX8	Interior Moulding			
9	GAA402BTX9	Interior Moulding	(N.Y.)		
10	GAA402BTX23	Interior Moulding			Balustraden finish G10
11	GAA402BTX24	Interior Moulding			
12	GAA402BTX25	Interior Moulding	(N.Y.)		
13	GAA402BTZ1	Interior Moulding	Length 2960mm		Balustraden finish G2
14	GAA402BTZ2	Interior Moulding	Length 1960mm		
15	GAA402BTZ3	Interior Moulding	Length 2320mm		
16	GAA402BTZ4	Interior Moulding	Length 2960mm		
17	GAA402BTZ5	Interior Moulding	Length 1960mm		
18	GAA402BTZ6	Interior Moulding	Length 2320mm		

Escalator 506NCE Balustrade St.St.

57-G..26225BF
APRIL 1,2002 PAGE: 3

for EN 115 and ASME A17.1 w/o



GAA26225BF

REF.NO.	PART OR M.L.	DESCRIPTION
19	GAA402BTZ-V1	Interior Moulding Balustraden finish
20	GAA402BTZ-V01	Interior Moulding G2
21	GAA402BTZ-V2	Interior Moulding Balustraden finish
22	GAA402BTZ-V02	Interior Moulding G10
23	GAA72BV1	Angle Nut
24	-----	Countersunk hd.tapping screw B4,2x13 DIN7982-(196964)



Escalator 506NCE Balustrade St.St.

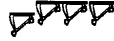
57-G..26225BF
APRIL 1,2002 PAGE: 4

ASME 17.1 St.St.
ASME 17.1/N.Y. St.St.

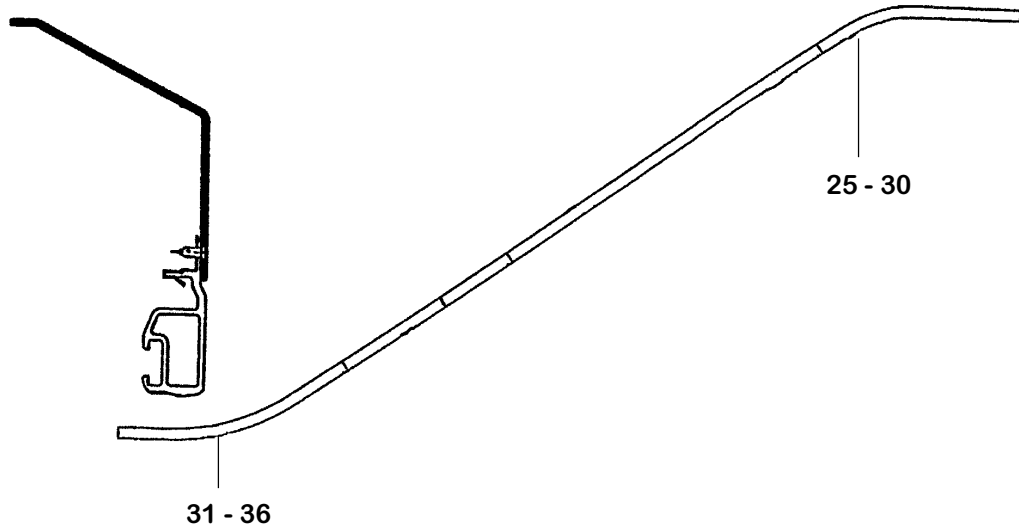
w/o



3 Flat Steps



30°



GAA26225BF

REF.NO.	PART OR M.L.	DESCRIPTION		
25	GAA402BTY16	Interior Moulding		Balustraden finish G2
26	GAA402BTY17	Interior Moulding		
27	GAA402BTY18	Interior Moulding (N.Y.)		
28	GAA402BTY30	Interior Moulding		
29	GAA402BTY31	Interior Moulding		Balustraden finish G10
30	GAA402BTY32	Interior Moulding (N.Y.)		
31	GAA402BTX16	Interior Moulding		Balustraden finish G2
32	GAA402BTX17	Interior Moulding		
33	GAA402BTX18	Interior Moulding (N.Y.)		
34	GAA402BTX30	Interior Moulding		
35	GAA402BTX31	Interior Moulding		Balustraden finish G10
36	GAA402BTX32	Interior Moulding (N.Y.)		

Escalator 506NCE Balustrade St.St.

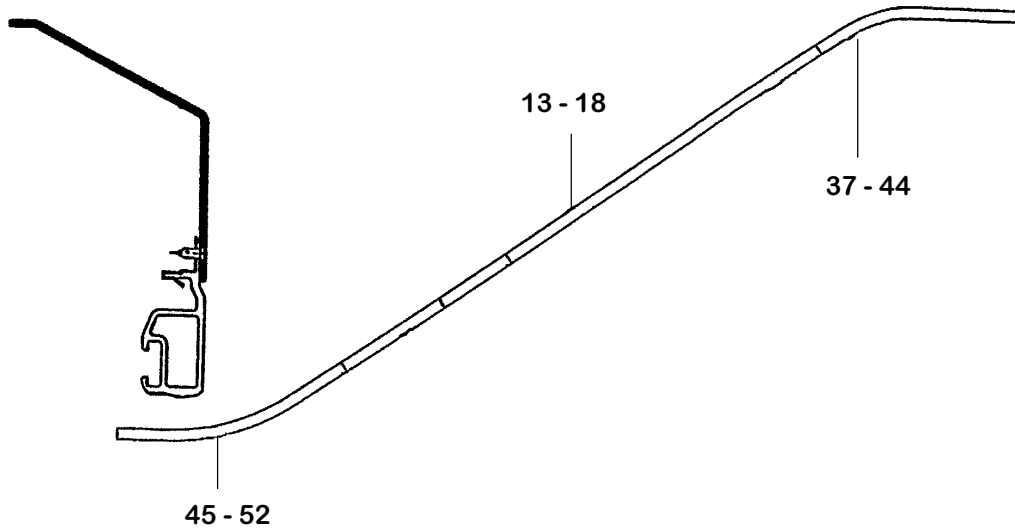
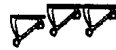
57-G..26225BF
APRIL 1,2002 PAGE: 5

EN 115 St.St.

w/o



2 Flat Steps



ORDER

w/ Balustraden finish

OTIS CONTRACT SHEET

GAA26225BF

REF.NO.	PART OR M.L.	DESCRIPTION		
37	GAA402BTY1	Interior Moulding		Balustraden finish G2
38	GAA402BTY2	Interior Moulding		
39	GAA402BTY3	Interior Moulding		
40	GAA402BTY4	Interior Moulding		Balustraden finish G10
41	GAA402BTY19	Interior Moulding		
42	GAA402BTY20	Interior Moulding		
43	GAA402BTY21	Interior Moulding		Balustraden finish G2
44	GAA402BTY22	Interior Moulding		
45	GAA402BTX1	Interior Moulding		
46	GAA402BTX2	Interior Moulding		Balustraden finish G10
47	GAA402BTX3	Interior Moulding		
48	GAA402BTX4	Interior Moulding		
49	GAA402BTX19	Interior Moulding		Balustraden finish G2
50	GAA402BTX20	Interior Moulding		
51	GAA402BTX21	Interior Moulding		
52	GAA402BTX22	Interior Moulding		

Escalator 506NCE Balustrade St.St.

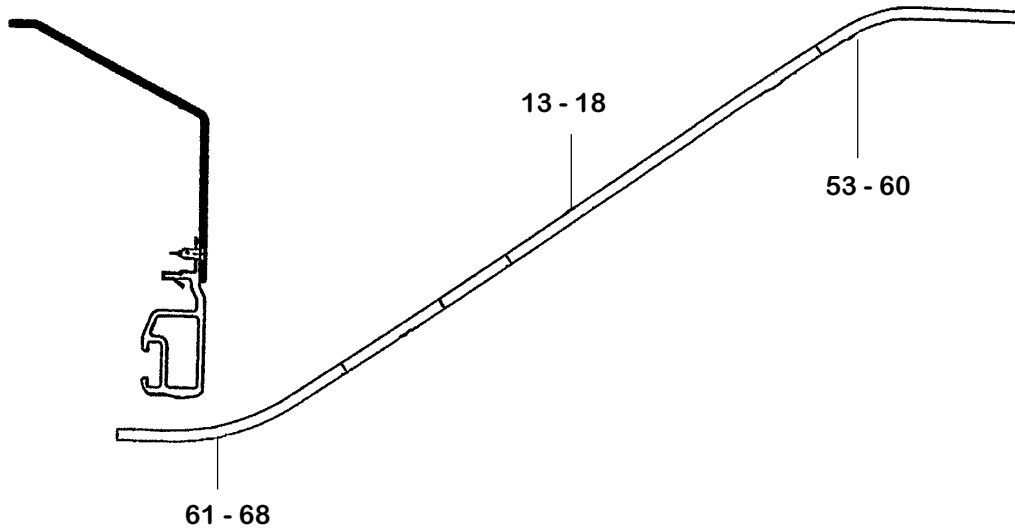
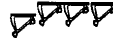
57-G..26225BF
APRIL 1,2002 PAGE: 6

EN 115 St.St.

w/o



3 Flat Steps



ORDER

w/ Balustraden finish

GAA26225BF

REF.NO.	PART OR M.L.	DESCRIPTION		
53	GAA402BTY10	Interior Moulding	35°	Balustraden finish G2
54	GAA402BTY11	Interior Moulding		
55	GAA402BTY12	Interior Moulding	30°	
56	GAA402BTY13	Interior Moulding		
57	GAA402BTY26	Interior Moulding	35°	Balustraden finish G10
58	GAA402BTY27	Interior Moulding		
59	GAA402BTY28	Interior Moulding	30°	
60	GAA402BTY29	Interior Moulding		
61	GAA402BTX10	Interior Moulding	35°	Balustraden finish G2
62	GAA402BTX11	Interior Moulding		
63	GAA402BTX12	Interior Moulding	30°	
64	GAA402BTX13	Interior Moulding		
65	GAA402BTX26	Interior Moulding	35°	Balustraden finish G10
66	GAA402BTX27	Interior Moulding		
67	GAA402BTX28	Interior Moulding	30°	
68	GAA402BTX29	Interior Moulding		

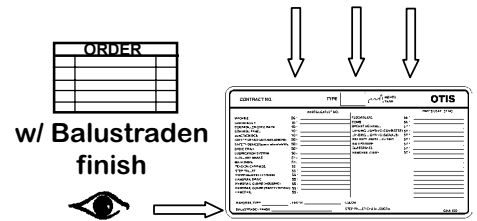
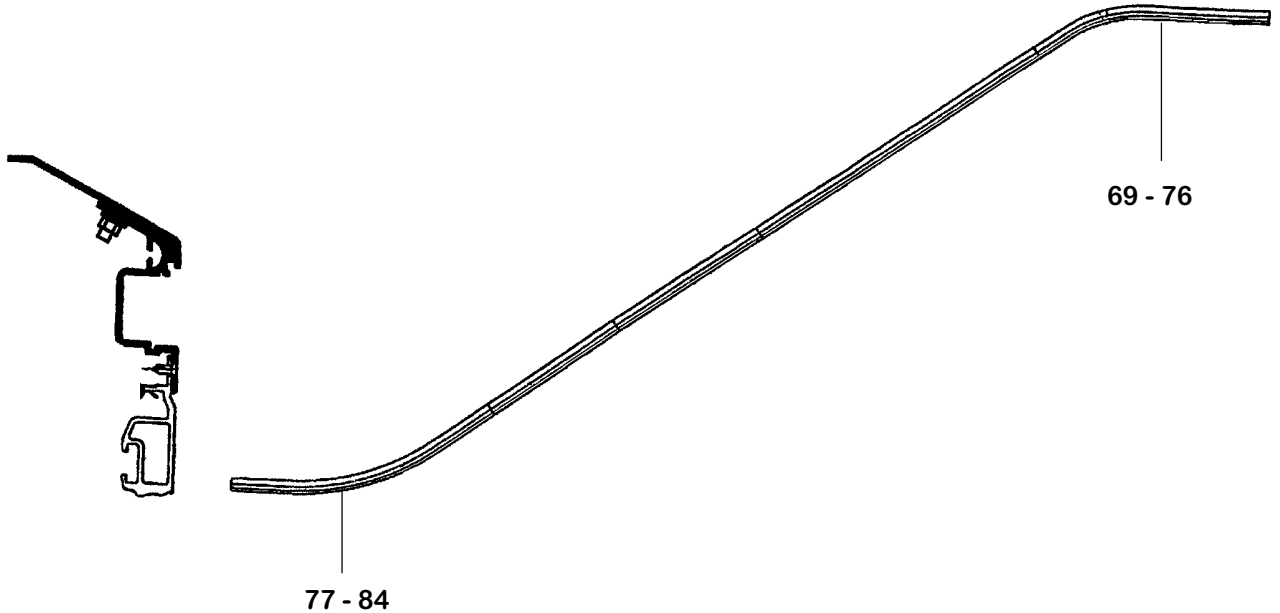
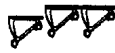
Escalator 506NCE Balustrade St.St.

57-G..26225BF
APRIL 1,2002 PAGE: 7

EN 115 St.St. w/



2 Flat Steps



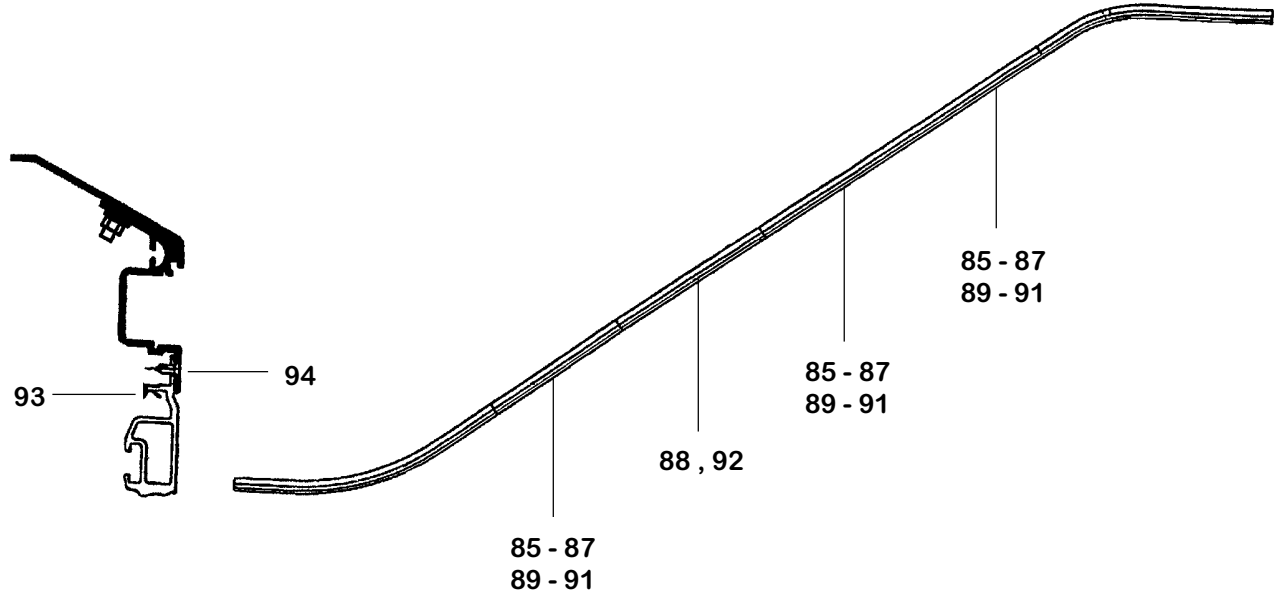
GAA26225BF



REF.NO.	PART OR M.L.	DESCRIPTION			
69	GAA402BSB1	Interior Moulding		35°	Balustraden finish G2
70	GAA402BSB2	Interior Moulding		30°	
71	GAA402BSB3	Interior Moulding		35°	
72	GAA402BSB4	Interior Moulding		30°	Balustraden finish G10
73	GAA402BSB13	Interior Moulding		35°	
74	GAA402BSB14	Interior Moulding		30°	
75	GAA402BSB15	Interior Moulding		35°	Balustraden finish G2
76	GAA402BSB16	Interior Moulding		30°	
77	GAA402BRZ1	Interior Moulding		35°	
78	GAA402BRZ2	Interior Moulding		30°	Balustraden finish G10
79	GAA402BRZ3	Interior Moulding		35°	
80	GAA402BRZ4	Interior Moulding		30°	
81	GAA402BRZ13	Interior Moulding		35°	Balustraden finish G2
82	GAA402BRZ14	Interior Moulding		30°	
83	GAA402BRZ15	Interior Moulding		35°	
84	GAA402BRZ16	Interior Moulding		30°	

Escalator 506NCE Balustrade St.St.

57-G..26225BF
APRIL 1,2002 PAGE: 8

for EN 115 and ASME A17.1 w/



GAA26225BF					
REF.NO.	PART OR M.L.	DESCRIPTION			
85	GAA402BLC1	Interior Moulding	Length 2960mm		Balustraden finish G2
86	GAA402BLC2	Interior Moulding	Length 1960mm		
87	GAA402BLC3	Interior Moulding	Length 2320mm		
88	GAA402BLC-V1	Interior Moulding			
89	GAA402BLC4	Interior Moulding	Length 2960mm		Balustraden finish G10
90	GAA402BLC5	Interior Moulding	Length 1960mm		
91	GAA402BLC6	Interior Moulding	Length 2320mm		
92	GAA402BLC-V2	Interior Moulding			
93	GAA72BV1	Angle Nut			
94	-----	Countersunk hd.tapping screw B4,2x13	DIN7982-(196964)		

Escalator 506NCE Balustrade St.St.

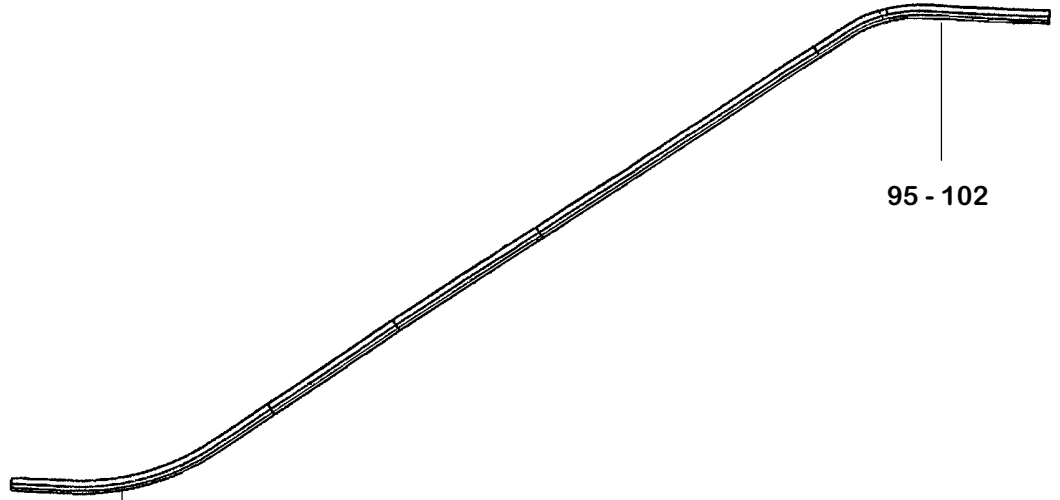
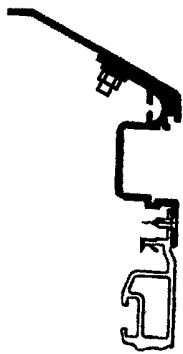
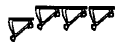
57-G..26225BF

APRIL 1, 2002 PAGE: 9

EN 115 St.St. w/



3 Flat Steps



103 - 110

95 - 102

ORDER	

w/ Balustraden finish



CONTRACT NO.		TYPE		OTIS		OTIS	

GAA26225BF

REF.NO.	PART OR M.L.	DESCRIPTION	ANGLE	FINISH
95	GAA402BSB7	Interior Moulding	35°	Balustraden finish G2
96	GAA402BSB8	Interior Moulding	30°	Balustraden finish G10
97	GAA402BSB9	Interior Moulding	35°	
98	GAA402BSB10	Interior Moulding	30°	
99	GAA402BSB19	Interior Moulding	35°	
100	GAA402BSB20	Interior Moulding	30°	Balustraden finish G2
101	GAA402BSB21	Interior Moulding	35°	Balustraden finish G10
102	GAA402BSB22	Interior Moulding	30°	
103	GAA402BRZ7	Interior Moulding	35°	
104	GAA402BRZ8	Interior Moulding	30°	
105	GAA402BRZ9	Interior Moulding	35°	Balustraden finish G2
106	GAA402BRZ10	Interior Moulding	30°	
107	GAA402BRZ19	Interior Moulding	35°	
108	GAA402BRZ20	Interior Moulding	30°	
109	GAA402BRZ21	Interior Moulding	35°	Balustraden finish G10
110	GAA402BRZ22	Interior Moulding	30°	

Escalator 506NCE Balustrade St.St.

57-G..26225BF

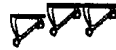
APRIL 1,2002 PAGE: 10

ASME A17.1 St.St.

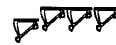
w/o



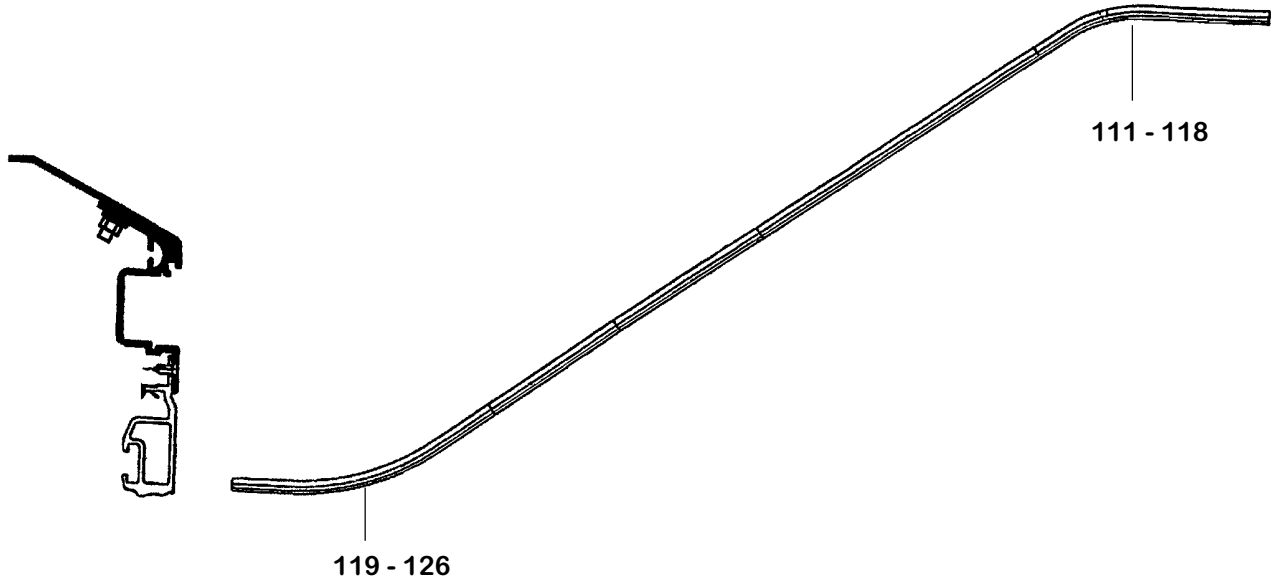
2 Flat Steps



3 Flat Steps

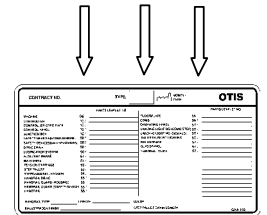


30°



ORDER

w/ Balustraden finish



GAA26225BF

REF.NO.	PART OR M.L.	DESCRIPTION	
111	GAA402BSB5	Interior Moulding	2 Flat Steps
112	GAA402BSB6	Interior Moulding	
113	GAA402BSB11	Interior Moulding	
114	GAA402BSB12	Interior Moulding	
115	GAA402BSB17	Interior Moulding	3 Flat Steps
116	GAA402BSB18	Interior Moulding	
117	GAA402BSB23	Interior Moulding	2 Flat Steps
118	GAA402BSB24	Interior Moulding	
119	GAA402BRZ5	Interior Moulding	3 Flat Steps
120	GAA402BRZ6	Interior Moulding	
121	GAA402BRZ11	Interior Moulding	
122	GAA402BRZ12	Interior Moulding	2 Flat Steps
123	GAA402BRZ17	Interior Moulding	
124	GAA402BRZ18	Interior Moulding	3 Flat Steps
125	GAA402BRZ23	Interior Moulding	
126	GAA402BRZ24	Interior Moulding	

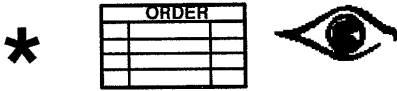
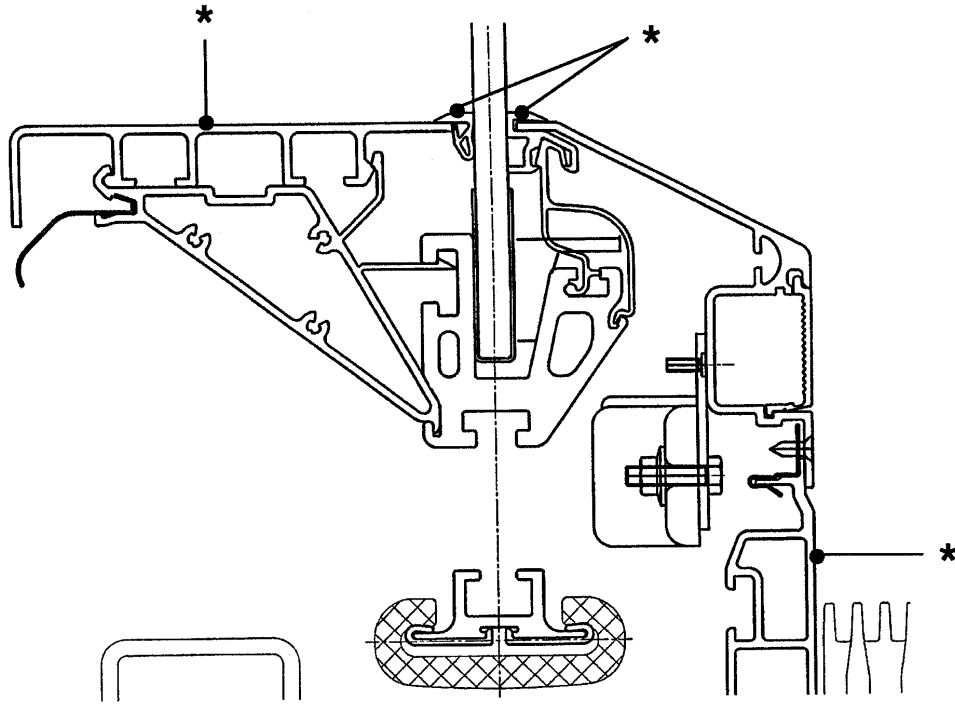
Balustraden finish
G2

Balustraden finish
G10

Balustraden finish
G2

Balustraden finish
G10

≡ ALU



OTIS		CONTRACT NO.	TYPE	HOW/ YEAR	OTIS	
		PARTS LEAFLET NO.		PARTS LEAFLET NO.		
MACHINE	SM	OPERATING PANEL	STF			
CONTROLLER	SM	LANDING LIGHTING (ECCO/STOP)	STF			
CONTROLLER PART/FUNCTION DEVICE	SM	LANDING LIGHTING (SIGNALS)	STF			
CONTROL PANEL	SM	BALUSTRADE LIGHTING	STF			
SAFETY DEVICES (GEORORI)	SM	BALUSTRADE	STF			
SAFETY DEVICES (SWITCHES)	SM	EDGES	STF	<input type="checkbox"/>		
DRIVE CHAINS	SM	GLASSPANELS	STF	<input type="checkbox"/>		
LUBRICATION SYSTEMS	SM	SWITCHPLATE	STF			
ASSEMBLY BRIDGE	SM	NORMAL GLASS	STF			
TENSION CARTRIDGE	SM					
STOP / FALLET	SM					
STOPKAM / PALLETDMAN	SM					
HANDRAIL DRIVE	SM					
HANDRAIL GUIDE (GEORORI)	SM					
HANDRAIL GUIDE (SAFETY DEVICE)	SM					
FLOORPLATE	SM					
COSES	SM					
HANDRAIL, TYPE	LENGTH	COLOR				
BALUSTRADE FINISH						