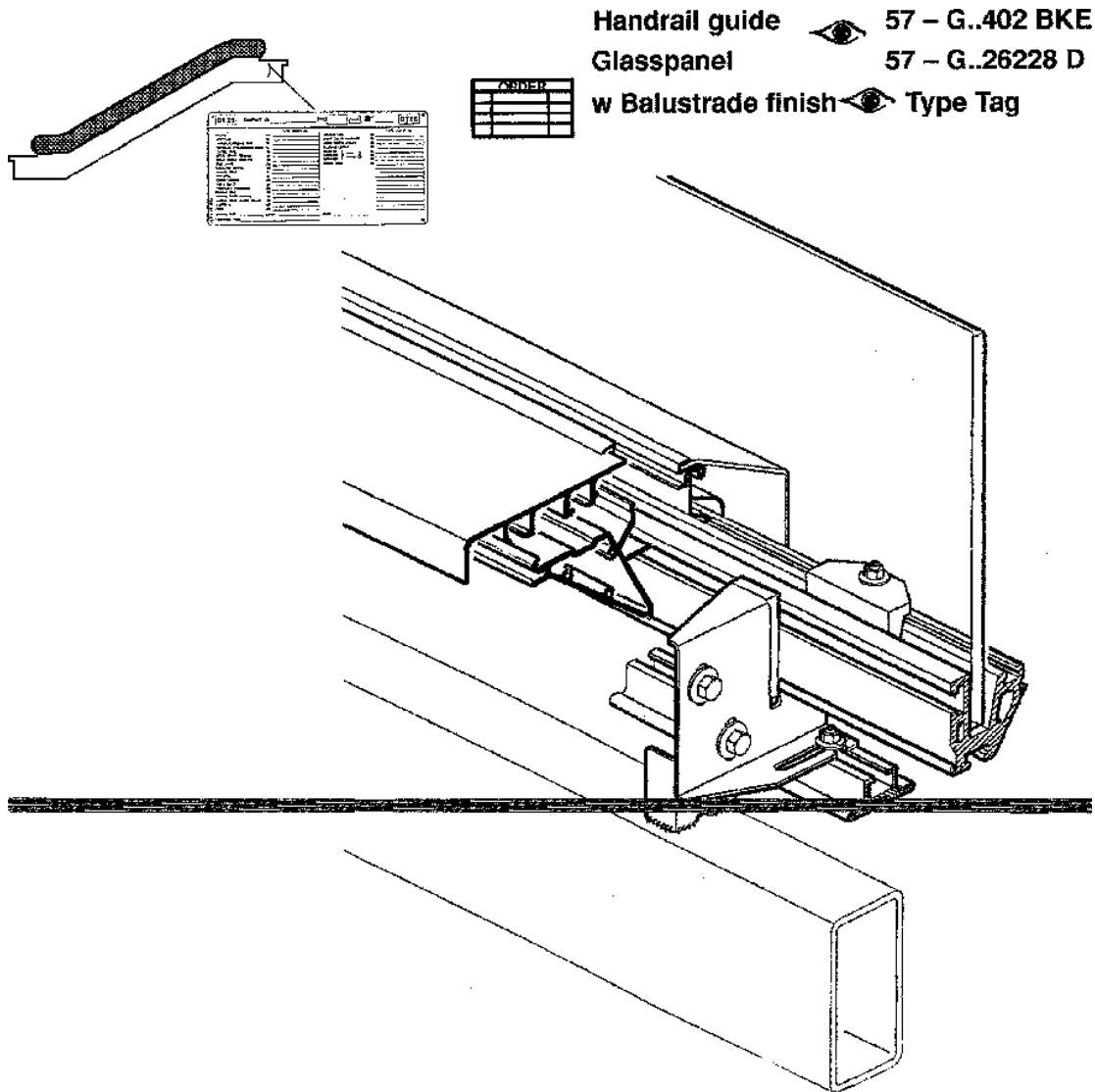


# SPL 57-GAA26228B - Escalator 506 NCE Balustrade

Unpublished Work - © Otis Elevator Company. Any unauthorized reproduction, disclosure, or distribution of copies or content by any person of any portion of this work may be a violation of Copyright Law of the United States of America. All rights reserved.

July 1997

Page 1



**SPL 57-GAA26228B - Escalator 506 NCE Balustrade**

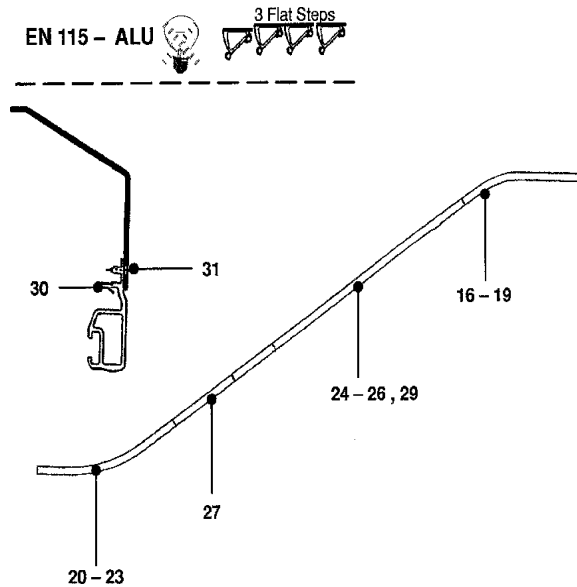
**Page 2 - Escalator 506 NCE Balustrade**

**Page 2 - Escalator 506 NCE Balustrade**

GAA26228B			
REF. No.	PART No.	DESCRIPTION	
1	GAA402BMX1	Interior Moulding, LH, 35 Degrees	Upper Landing, Type 800 / 1000
2	GAA402BMX2	Interior Moulding, RH, 35 Degrees	
3	GAA402BMX3	Interior Moulding, LH, 30 Degrees	
4	GAA402BMX4	Interior Moulding, RH, 30 Degrees	
5	GAA402BMY1	Interior Moulding, LH, 35 Degrees	Lower Landing, Type 800 / 1000
6	GAA402BMY2	Interior Moulding, RH, 35 Degrees	
7	GAA402BMY3	Interior Moulding, LH, 30 Degrees	
8	GAA402BMY4	Interior Moulding, RH, 30 Degrees	
9	GAA402BLF1	Interior Moulding, Length 5920 mm	
10	GAA402BLF2	Interior Moulding, Length 5280 mm	
11	GAA402BLD3	Interior Moulding, Length 2960 mm	
12	GAA402BLF-V1	Interior Moulding	
13	GAA402BLF-V01	Interior Moulding	
14	GAA72BV1	Angle Nut	
15	---	Countersunk Head Tapping Screw B 4.2x13 DIN 7982-196964	

## SPL 57-GAA26228B - Escalator 506 NCE Balustrade

### Page 3 - Escalator 506 NCE Balustrade

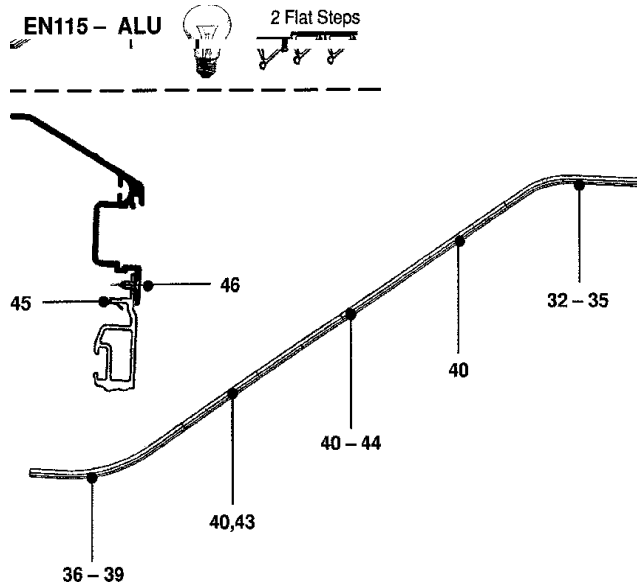


### Page 3 - Escalator 506 NCE Balustrade

GAA26228B			
REF. No.	PART No.	DESCRIPTION	
16	GAA402BMX7	Interior Moulding, LH, 35 Degrees	Upper Landing, Type 800 / 1000
17	GAA402BMX8	Interior Moulding, RH, 35 Degrees	
18	GAA402BMX9	Interior Moulding, LH, 30 Degrees	
19	GAA402BMX10	Interior Moulding, RH, 30 Degrees	
20	GAA402BMY9	Interior Moulding, LH, 35 Degrees	Lower Landing, Type 800 / 1000
21	GAA402BMY10	Interior Moulding, RH, 35 Degrees	
22	GAA402BMY11	Interior Moulding, LH, 30 Degrees	
23	GAA402BMY12	Interior Moulding, RH, 30 Degrees	
24	GAA402BLF1	Interior Moulding, Length 5920 mm	
25	GAA402BLF2	Interior Moulding, Length 5280 mm	
26	GAA402BLD3	Interior Moulding, Length 2960 mm	
27	GAA402BLF-V1	Interior Moulding	
29	GAA402BLF-V01	Interior Moulding	
30	GAA72BV1	Angle Nut	
31	---	Countersunk Head Tapping Screw B 4.2x13 DIN 7982-196964	

SPL 57-GAA26228B - Escalator 506 NCE Balustrade

Page 4 - Escalator 506 NCE Balustrade

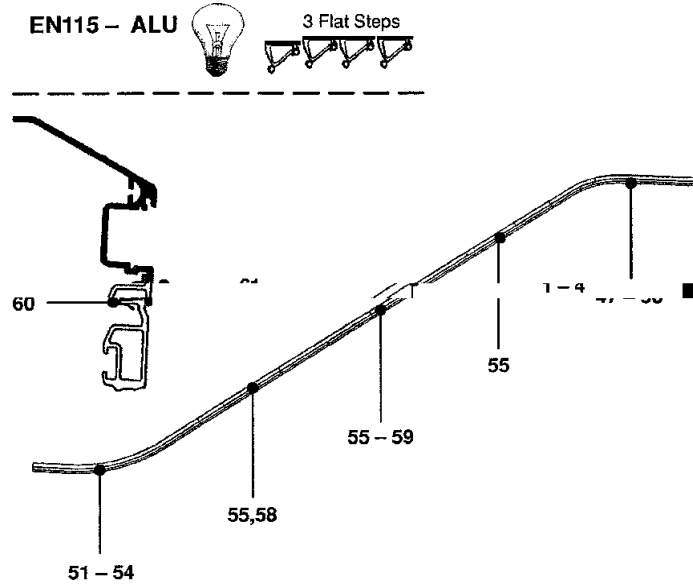


Page 4 - Escalator 506 NCE Balustrade

GAA26228B			
REF. No.	PART No.	DESCRIPTION	
32	GAA402BMW1	Interior Moulding, LH, 35 Degrees	Upper Landing, Type 800 / 1000
33	GAA402BMW2	Interior Moulding, RH, 35 Degrees	
34	GAA402BMW3	Interior Moulding, LH, 30 Degrees	
35	GAA402BMW4	Interior Moulding, RH, 30 Degrees	
36	GAA402BMV1	Interior Moulding, LH, 35 Degrees	Lower Landing, Type 800 / 1000
37	GAA402BMV2	Interior Moulding, RH, 35 Degrees	
38	GAA402BMV3	Interior Moulding, LH, 30 Degrees	
39	GAA402BMV4	Interior Moulding, RH, 30 Degrees	
40	GAA402BLD1	Interior Moulding, Length 2960 mm	
41	GAA402BLD2	Interior Moulding, Length 1960 mm	
42	GAA402BLD3	Interior Moulding, Length 2320 mm	
43	GAA402BLF-V1	Interior Moulding	
44	GAA402BLF-V01	Interior Moulding	
45	GAA72BV1	Angle Nut	
46	---	Countersunk Head Tapping Screw B 4.2x13 DIN 7982-196964	

SPL 57-GAA26228B - Escalator 506 NCE Balustrade

Page 5 - Escalator 506 NCE Balustrade

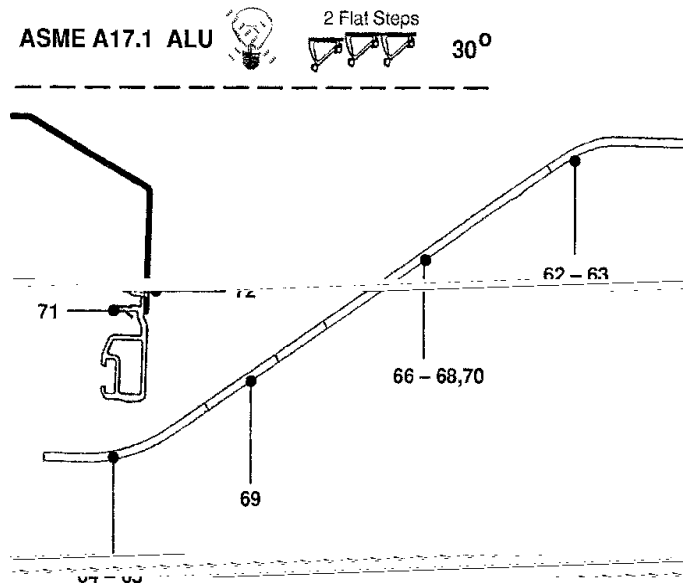


Page 5 - Escalator 506 NCE Balustrade

GAA26228B			
REF. No.	PART No.	DESCRIPTION	
47	GAA402BMW7	Interior Moulding, LH, 35 Degrees	Upper Landing, Type 800 / 1000
48	GAA402BMW8	Interior Moulding, RH, 35 Degrees	
49	GAA402BMW9	Interior Moulding, LH, 30 Degrees	
50	GAA402BMW10	Interior Moulding, RH, 30 Degrees	
51	GAA402BMV9	Interior Moulding, LH, 35 Degrees	Lower Landing, Type 800 / 1000
52	GAA402BMV10	Interior Moulding, RH, 35 Degrees	
53	GAA402BMV11	Interior Moulding, LH, 30 Degrees	
54	GAA402BMV12	Interior Moulding, RH, 30 Degrees	
55	GAA402BLD1	Interior Moulding, Length 2960 mm	
56	GAA402BLD2	Interior Moulding, Length 1960 mm	
57	GAA402BLD3	Interior Moulding, Length 2320 mm	
58	GAA402BLF-V1	Interior Moulding	
59	GAA402BLF-V01	Interior Moulding	
60	GAA72BV1	Angle Nut	
61	---	Countersunk Head Tapping Screw B 4.2x13 DIN 7982-196964	

SPL 57-GAA26228B - Escalator 506 NCE Balustrade

Page 6 - Escalator 506 NCE Balustrade

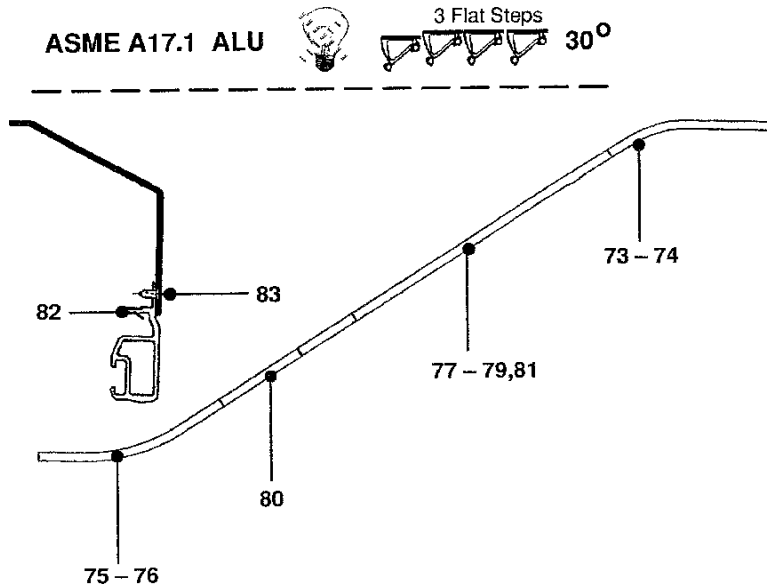


Page 6 - Escalator 506 NCE Balustrade

GAA26228B			
REF. No.	PART No.	DESCRIPTION	
62	GAA402BMX5	Interior Moulding, LH	Upper Landing, Type 800 / 1000
63	GAA402BMX5	Interior Moulding, RH	
64	GAA402BMY7	Interior Moulding, LH	Lower Landing, Type 800 / 1000
65	GAA402BMY8	Interior Moulding, RH	
66	GAA402BLF1	Interior Moulding, Length 5920 mm	
67	GAA402BLF2	Interior Moulding, Length 5280 mm	
68	GAA402BLF3	Interior Moulding, Length 2960 mm	
69	GAA402BLF-V1	Interior Moulding	
70	GAA402BLF-V01	Interior Moulding	
71	GAA72BV1	Angle Nut	
72	---	Countersunk Head Tapping Screw B 4.2x13 DIN 7982-196964	

SPL 57-GAA26228B - Escalator 506 NCE Balustrade

Page 7 - Escalator 506 NCE Balustrade

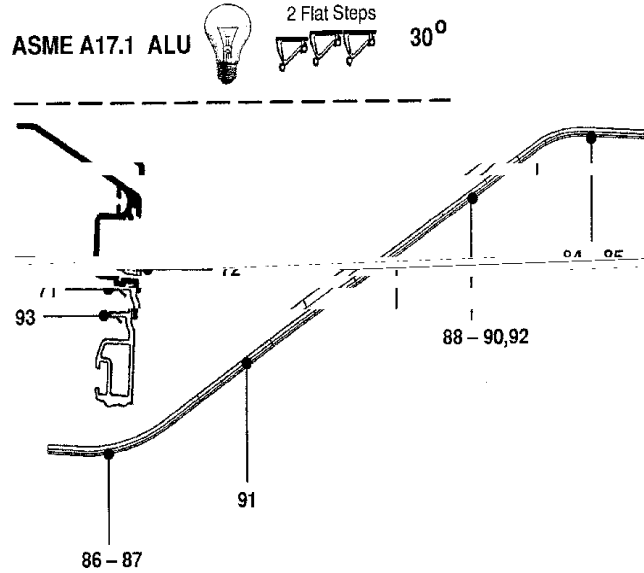


Page 7 - Escalator 506 NCE Balustrade

GAA26228B			
REF. No.	PART No.	DESCRIPTION	
73	GAA402BMX11	Interior Moulding, LH	Upper Landing, Type 800 / 1000
74	GAA402BMX12	Interior Moulding, RH	
75	GAA402BMY13	Interior Moulding, LH	Lower Landing, Type 800 / 1000
76	GAA402BMY14	Interior Moulding, RH	
77	GAA402BLF1	Interior Moulding, Length 5920 mm	
78	GAA402BLF2	Interior Moulding, Length 5280 mm	
79	GAA402BLF3	Interior Moulding, Length 2960 mm	
80	GAA402BLF-V1	Interior Moulding	
81	GAA402BLF-V01	Interior Moulding	
82	GAA72BV1	Angle Nut	
83	---	Countersunk Head Tapping Screw B 4.2x13 DIN 7982-196964	

SPL 57-GAA26228B - Escalator 506 NCE Balustrade

Page 8 - Escalator 506 NCE Balustrade



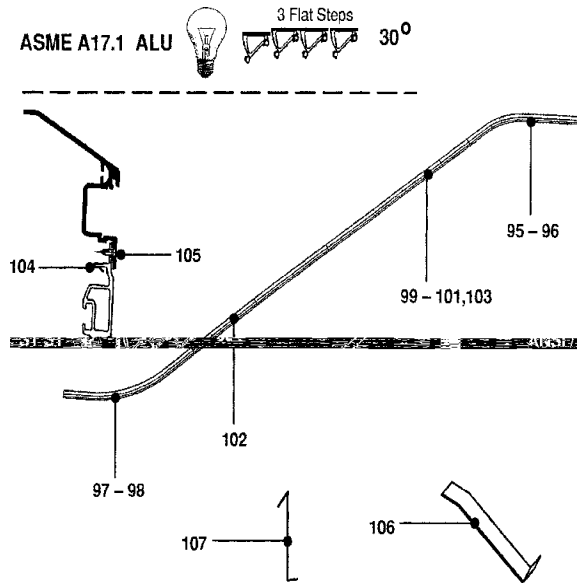
Page 8 - Escalator 506 NCE Balustrade

GAA26228B			
REF. No.	PART No.	DESCRIPTION	
84	GAA402BMW5	Interior Moulding, LH	Upper Landing, Type 800 / 1000
85	GAA402BMW6	Interior Moulding, RH	
86	GAA402BMV7	Interior Moulding, LH	Lower Landing, Type 800 / 1000
87	GAA402BMV8	Interior Moulding, RH	
88	GAA402BLD1	Interior Moulding, Length 2960 mm	
89	GAA402BLD2	Interior Moulding, Length 1960 mm	
90	GAA402BLD3	Interior Moulding, Length 2320 mm	
91	GAA402BLD-V1	Interior Moulding	
92	GAA402BLD-V01	Interior Moulding	
93	GAA72BV1	Angle Nut	
94	---	Countersunk Head Tapping Screw B 4.2x13 DIN 7982-196964	



SPL 57-GAA26228B - Escalator 506 NCE Balustrade

Page 9 - Escalator 506 NCE Balustrade

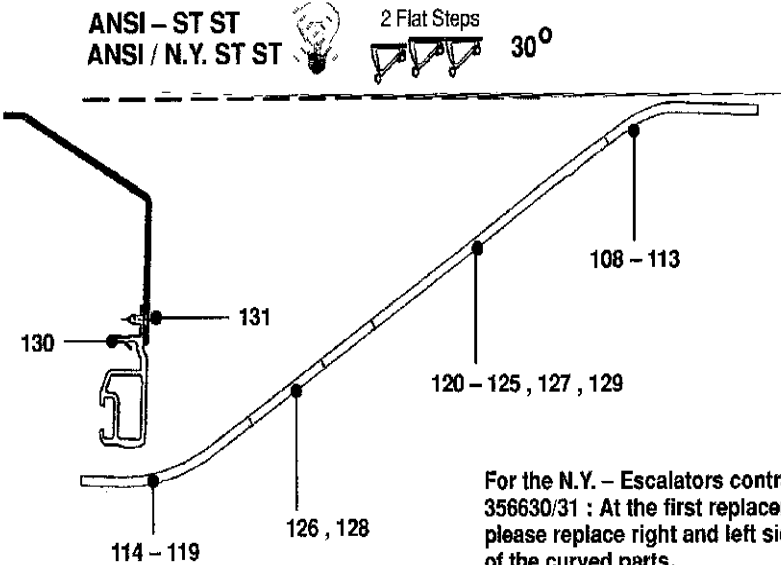


Page 9 - Escalator 506 NCE Balustrade

GAA26228B			
REF. No.	PART No.	DESCRIPTION	
95	GAA402BMW11	Interior Moulding, LH	Upper Landing, Type 800 / 1000
96	GAA402BMW12	Interior Moulding, RH	
97	GAA402BMV13	Interior Moulding, LH	Right Landing, Type 800 / 1000
98	GAA402BMV14	Interior Moulding, RH	
99	GAA402BLD1	Interior Moulding, Length 2960 mm	
100	GAA402BLD2	Interior Moulding, Length 1960 mm	
101	GAA402BLD3	Interior Moulding, Length 2320 mm	
102	GAA402BLD-V1	Interior Moulding	
103	GAA402BLD-V01	Interior Moulding	
104	GAA72BV1	Angle Nut	
105	---	Countersunk Head Tapping Screw B 4.2x13 DIN 7982-196964	
106	---	Tool to Clip out the Outer Decking WZ5386 (WZ5382)	
107	---	Hook for Inner Decking with Lighting (to keep in position during maintenance)	

SPL 57-GAA26228B - Escalator 506 NCE Balustrade

Page 10 - Escalator 506 NCE Balustrade

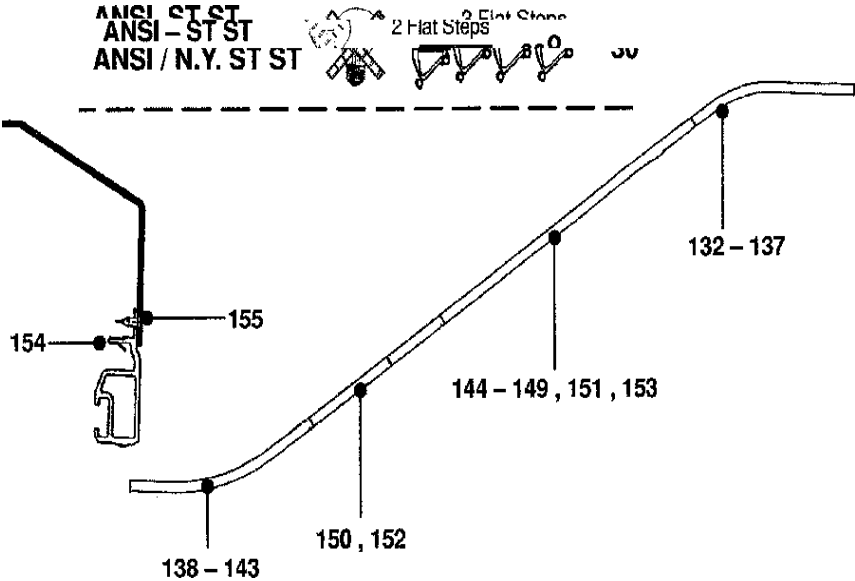


**SPL 57-GAA26228B - Escalator 506 NCE Balustrade**

Page 10 - Escalator 506 NCE Balustrade

GAA26228B			
REF. No.	PART No.	DESCRIPTION	
108	GAA402BTY7	Interior Moulding, LH	Upper Landing, Balustrade Finish G2
109	GAA402BTY8	Interior Moulding, RH	
110	GAA402BTY9	Interior Moulding, LH (NY)	
111	GAA402BTY23	Interior Moulding, LH	Upper Landing, Balustrade Finish G10
112	GAA402BTY24	Interior Moulding, RH	
113	GAA402BTY25	Interior Moulding, LH (NY)	
114	GAA402BTX7	Interior Moulding, LH	Lower Landing, Balustrade Finish G2
115	GAA402BTX8	Interior Moulding, RH	
116	GAA402BTX9	Interior Moulding, RH (NY)	
117	GAA402BTX23	Interior Moulding, LH	Lower Landing, Balustrade Finish G10
118	GAA402BTX24	Interior Moulding, RH	
119	GAA402BTX25	Interior Moulding, RH (NY)	
120	GAA402BTZ1	Interior Moulding, Length 2960 mm	Balustrade Finish G2
121	GAA402BTZ2	Interior Moulding, Length 1960 mm	
122	GAA402BTZ3	Interior Moulding, Length 2320 mm	
123	GAA402BTZ4	Interior Moulding, Length 2960 mm	Balustrade Finish G10
124	GAA402BTZ5	Interior Moulding, Length 1960 mm	
125	GAA402BTZ6	Interior Moulding, Length 2320 mm	
126	GAA402BTZ-V1	Interior Moulding	Balustrade Finish G2
127	GAA402BTA-V01	Interior Moulding	
128	GAA402BTZ-V2	Interior Moulding	Balustrade Finish G10
129	GAA402BTZ-V02	Interior Moulding	
130	GAA72BV1	Angle Nut	
131	---	Countersunk Head Tapping Screw B 4.2x13 DIN 7982-196964	

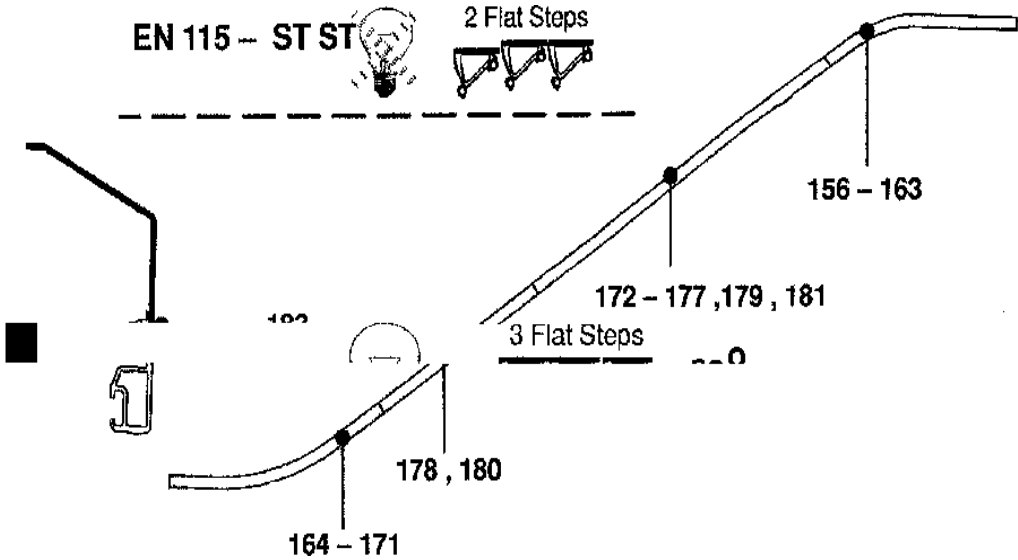
Page 11 - Escalator 506 NCE Balustrade



**SPL 57-GAA26228B - Escalator 506 NCE Balustrade**

Page 11 - Escalator 506 NCE Balustrade

GAA26228B			
REF. No.	PART No.	DESCRIPTION	
132	GAA402BTY16	Interior Moulding, LH	Upper Landing, Balustrade Finish G2
133	GAA402BTY17	Interior Moulding, RH	
134	GAA402BTY18	Interior Moulding, LH (NY)	
135	GAA402BTY30	Interior Moulding, LH	Upper Landing, Balustrade Finish G10
136	GAA402BTY31	Interior Moulding, RH	
137	GAA402BTY32	Interior Moulding, LH (NY)	
138	GAA402BTX16	Interior Moulding, LH	Lower Landing, Balustrade Finish G2
139	GAA402BTX17	Interior Moulding, RH	
140	GAA402BTX18	Interior Moulding, LH (NY)	
141	GAA402BTX30	Interior Moulding, LH	Lower Landing, Balustrade Finish G10
142	GAA402BTX31	Interior Moulding, RH	
143	GAA402BTX32	Interior Moulding, LH (NY)	
144	GAA402BTZ1	Interior Moulding, Length 2960 mm	Balustrade Finish G2
145	GAA402BTZ2	Interior Moulding, Length 1960 mm	
146	GAA402BTZ3	Interior Moulding, Length 2320 mm	
147	GAA402BTZ4	Interior Moulding, Length 2960 mm	Balustrade Finish G10
148	GAA402BTZ5	Interior Moulding, Length 1960 mm	
149	GAA402BTZ6	Interior Moulding, Length 2320 mm	
150	GAA402BTZ-V1	Interior Moulding	Balustrade Finish G2
151	GAA402BTA-V01	Interior Moulding	
152	GAA402BTZ-V2	Interior Moulding	Balustrade Finish G10
153	GAA402BTZ-V02	Interior Moulding	
154	GAA72BV1	Angle Nut	
155	---	Countersunk Head Tapping Screw B 4.2x13 DIN 7982-196964	



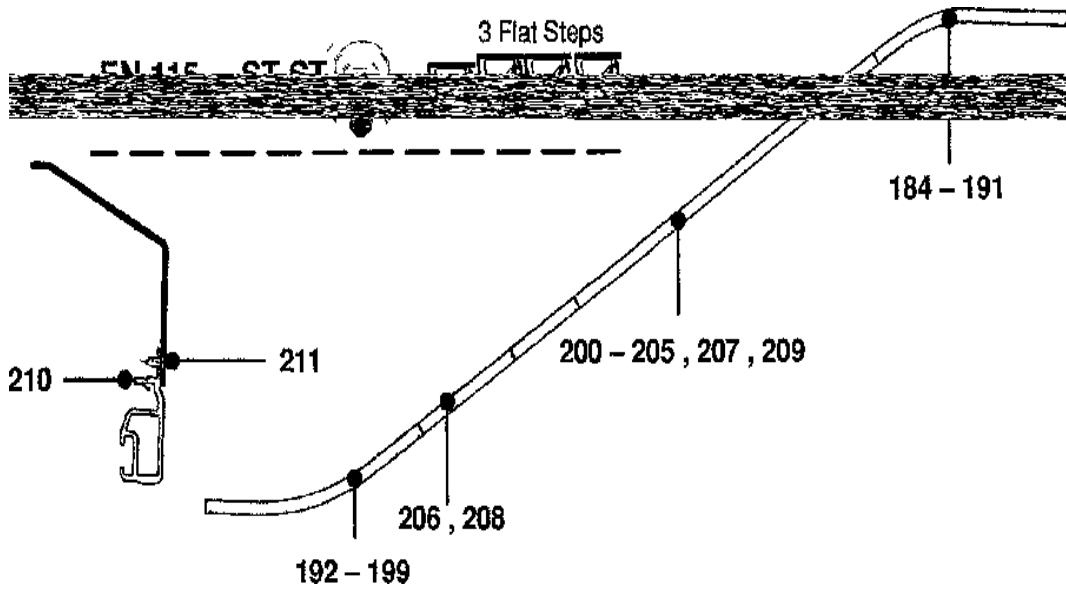
**SPL 57-GAA26228B - Escalator 506 NCE Balustrade**

Page 12 - Escalator 506 NCE Balustrade

GAA26228B			
REF. No.	PART No.	DESCRIPTION	
156	GAA402BTY1	Interior Moulding, LH, 35 Degrees	Upper Landing, Balustrade Finish G2
157	GAA402BTY2	Interior Moulding, RH, 35 Degrees	
158	GAA402BTY3	Interior Moulding, LH, 30 Degrees	
159	GAA402BTY4	Interior Moulding, RH, 30 Degrees	
160	GAA402BTY19	Interior Moulding, LH, 35 Degrees	Upper Landing, Balustrade Finish G10
161	GAA402BTY20	Interior Moulding, RH, 35 Degrees	
162	GAA402BTY21	Interior Moulding, LH, 30 Degrees	
163	GAA402BTY22	Interior Moulding, RH, 30 Degrees	
164	GAA402BTX1	Interior Moulding, LH, 35 Degrees	Lower Landing, Balustrade Finish G2
165	GAA402BTX2	Interior Moulding, RH, 35 Degrees	
166	GAA402BTX3	Interior Moulding, LH, 30 Degrees	
167	GAA402BTX4	Interior Moulding, RH, 30 Degrees	
168	GAA402BTX19	Interior Moulding, LH, 35 Degrees	Lower Landing, Balustrade Finish G10
169	GAA402BTX20	Interior Moulding, RH, 35 Degrees	
170	GAA402BTX21	Interior Moulding, LH, 30 Degrees	
171	GAA402BTX22	Interior Moulding, RH, 30 Degrees	
172	GAA402BTZ1	Interior Moulding, Length 2960 mm	Balustrade Finish G2
173	GAA402BTZ2	Interior Moulding, Length 1960 mm	
174	GAA402BTZ3	Interior Moulding, Length 2320 mm	Balustrade Finish G10
175	GAA402BTZ4	Interior Moulding, Length 2960 mm	
176	GAA402BTZ5	Interior Moulding, Length 1960 mm	
177	GAA402BTZ6	Interior Moulding, Length 2320 mm	
178	GAA402BTZ-V1	Interior Moulding	Balustrade Finish G2
179	GAA402BTA-V01	Interior Moulding	
180	GAA402BTZ-V2	Interior Moulding	Balustrade Finish G10
181	GAA402BTZ-V02	Interior Moulding	
182	GAA72BV1	Angle Nut	
183	- - -	Countersunk Head Tapping Screw B 4.2x13 DIN 7982-196964	

SPL 57-GAA26228B - Escalator 506 NCE Balustrade

Page 13 - Escalator 506 NCE Balustrade

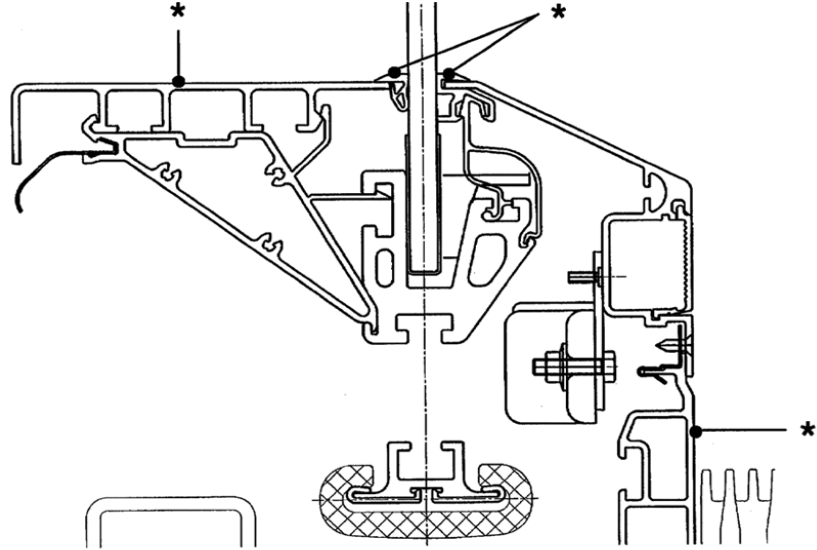




**SPL 57-GAA26228B - Escalator 506 NCE Balustrade**

Page 13 - Escalator 506 NCE Balustrade

GAA26228B			
REF. No.	PART No.	DESCRIPTION	
184	GAA402BTY10	Interior Moulding, LH, 35 Degrees	Upper Landing, Balustrade Finish G2
185	GAA402BTY11	Interior Moulding, RH, 35 Degrees	
186	GAA402BTY12	Interior Moulding, LH, 30 Degrees	
187	GAA402BTY13	Interior Moulding, RH, 30 Degrees	
188	GAA402BTY26	Interior Moulding, LH, 35 Degrees	Upper Landing, Balustrade Finish G10
189	GAA402BTY27	Interior Moulding, RH, 35 Degrees	
190	GAA402BTY28	Interior Moulding, LH, 30 Degrees	
191	GAA402BTY29	Interior Moulding, RH, 30 Degrees	
192	GAA402BTX10	Interior Moulding, LH, 35 Degrees	Lower Landing, Balustrade Finish G2
193	GAA402BTX11	Interior Moulding, RH, 35 Degrees	
194	GAA402BTX12	Interior Moulding, LH, 30 Degrees	
195	GAA402BTX13	Interior Moulding, RH, 30 Degrees	
196	GAA402BTX26	Interior Moulding, LH, 35 Degrees	Lower Landing, Balustrade Finish G10
197	GAA402BTX27	Interior Moulding, RH, 35 Degrees	
198	GAA402BTX28	Interior Moulding, LH, 30 Degrees	
199	GAA402BTX29	Interior Moulding, RH, 30 Degrees	
200	GAA402BTZ1	Interior Moulding, Length 2960 mm	Balustrade Finish G2
201	GAA402BTZ2	Interior Moulding, Length 1960 mm	
202	GAA402BTZ3	Interior Moulding, Length 2320 mm	
203	GAA402BTZ4	Interior Moulding, Length 2960 mm	Balustrade Finish G10
204	GAA402BTZ5	Interior Moulding, Length 1960 mm	
205	GAA402BTZ6	Interior Moulding, Length 2320 mm	
206	GAA402BTZ-V1	Interior Moulding	Balustrade Finish G2
207	GAA402BTA-V01	Interior Moulding	
208	GAA402BTZ-V2	Interior Moulding	Balustrade Finish G10
209	GAA402BTZ-V02	Interior Moulding	
210	GAA72BV1	Angle Nut	
211	- - -	Countersunk Head Tapping Screw B 4.2x13 DIN 7982-196964	



\* ORDER




OTIS		CONTRACT NO.	TYPE	LOADING	OTIS
				CLASS	
		PARTS LEAFLET NO.			PARTS LEAFLET NO.
WACHINE	SV		OPERATING PANEL	SV	
CONTROLLER	SV		LOADING STOPPING (CHANGEPY)	SV	
CONTROLLER OVERSPEEDING BRAKE	SV		LOADING STOPPING (STOP/UP)	SV	
CONTROLLER PART/PROTECTOR SERVICE	SV		BALUSTRADE LANDING	SV	
CONTROL PANEL	SV		BALUSTRADE	SV	
SAFETY SERVICE (STOPPING)	SV		BALUSTRADE / DRIVE	SV	
SAFETY SERVICE (STOPPED)	SV		BALUSTRADE / STOPPED	SV	
BRAKE DRIVE	SV		HANDRAIL GUIDE	SV	
LEGISLATION SYSTEM	SV				
AUXILIARY DRIVE	SV				
WALK DRIVE	SV				
TENSION COMPENSATION	SV				
STOP / PAUSE	SV				
STOPPING / PAUSE/DOWN	SV				
AUXILIARY DRIVE	SV				
AUXILIARY DRIVE (STOPPING)	SV				
FLOORPLATE	SV				
COILING	SV				
AUXILIARY DRIVE	SV				
UNDERSTRAP PANEL	SV				

