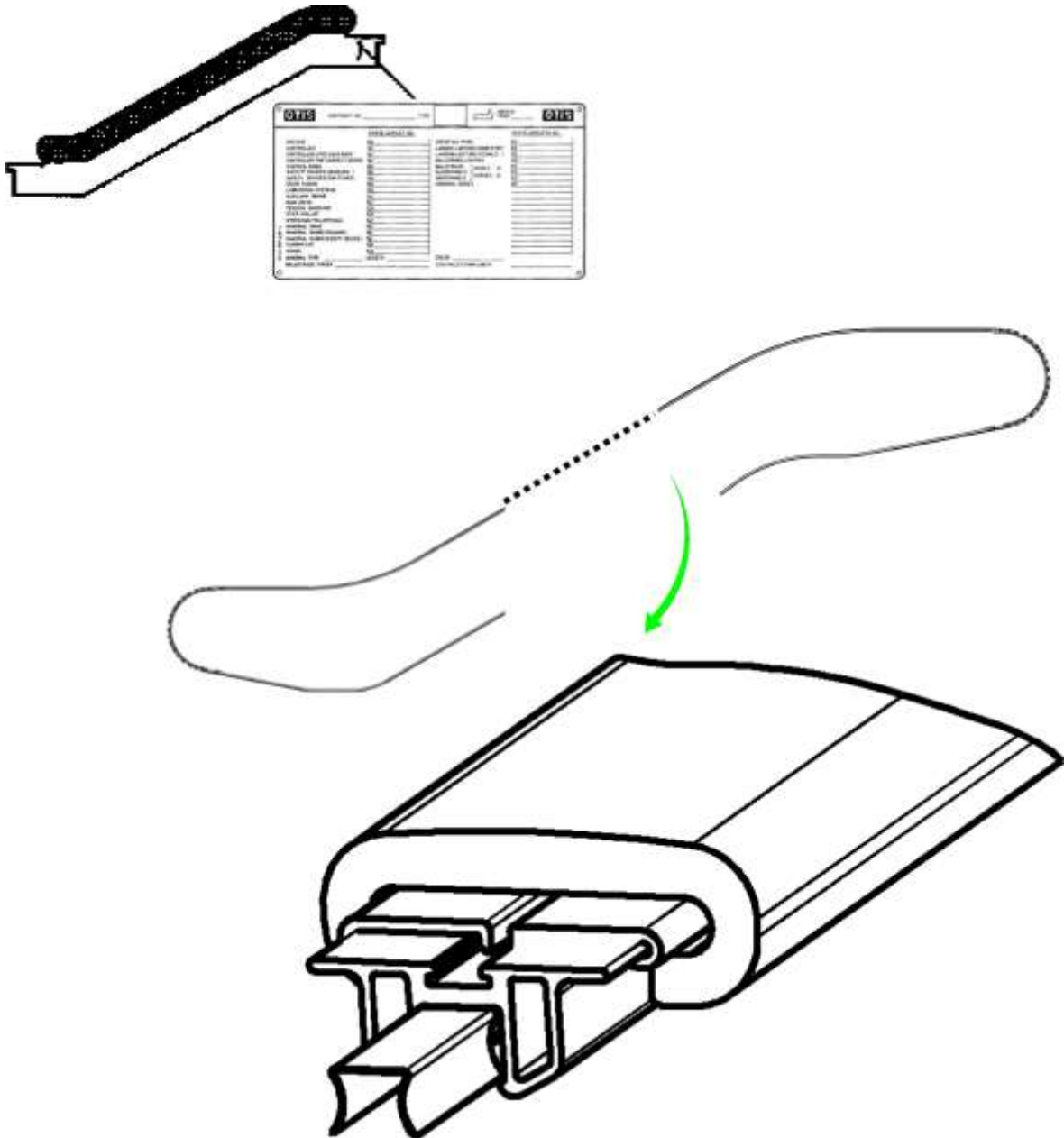


# NextStep™ Escalator Balustrade Handrail Guide

Spare Parts Leaflet

57-GAA26228N

December 12, 2007 / Page 1 of 9



Unpublished Work—© Otis Elevator Co.; 2007

**OTIS**

**Safety First!**

**ESCALATOR ENGINEERING**  
Otis Elevator Company  
SIT-GZ, Guangzhou China

**Leaflet Description**

Balustrade Handrail Guide

**Leaflet Revisions**

<b>Date Revised</b>	<b>Subject Matter Expert</b>	<b>Reason for Revision</b>
March 19, 2004	Ye, Ke	Release
June 30, 2004	Ye, Ke	Modification
December 12, 2007	Ye, Ke	Handrail Guides GAA50AHE, GAA402CEF/CED/CEA/CEB Added

**Related Drawings**

<b>Drawing No.</b>	<b>Title</b>	<b>Drawing No.</b>	<b>Title</b>
GAA50AHA	Handrail Guide Shape	GAA26228N	Handrail Guidance
GAA50AHE1	Shape Profile		

**Related Documents**

<b>Document ID</b>	<b>Title</b>
BOM	

**Subject Matter Expert**

<b>Name</b>	<b>Department</b>
Ke Ye	SIT-GZ Escalator Engineering

**About Spare Parts Leaflets...**

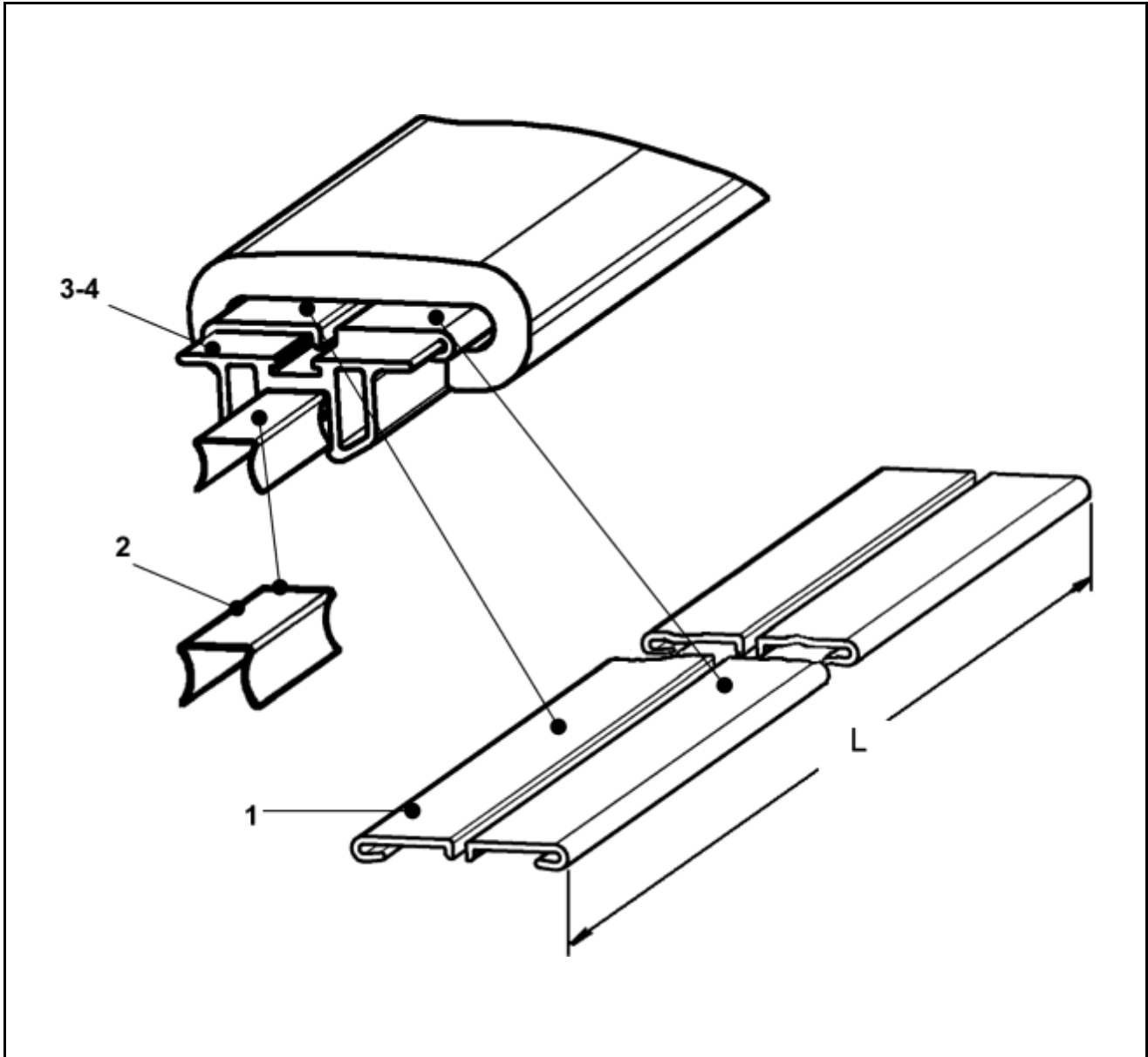
This document lists the lowest replaceable units (LRUs) for the standard version of the product. The LRUs are chosen by a team of Otis associates representing engineering and manufacturing.

While goal of this document is to make parts identification as easy as possible, the document cannot be all-inclusive. Elevator and escalator contracts classified as "special" or "custom" are not addressed here. For such contracts, please refer to specified information, the contract folder, TIPs, Field Education Articles, Construction Letters, etc. for further information.

If you have any suggestions about this document, please contact the subject matter expert listed on this page.

# NextStep™ Escalator Balustrade Handrail Guide

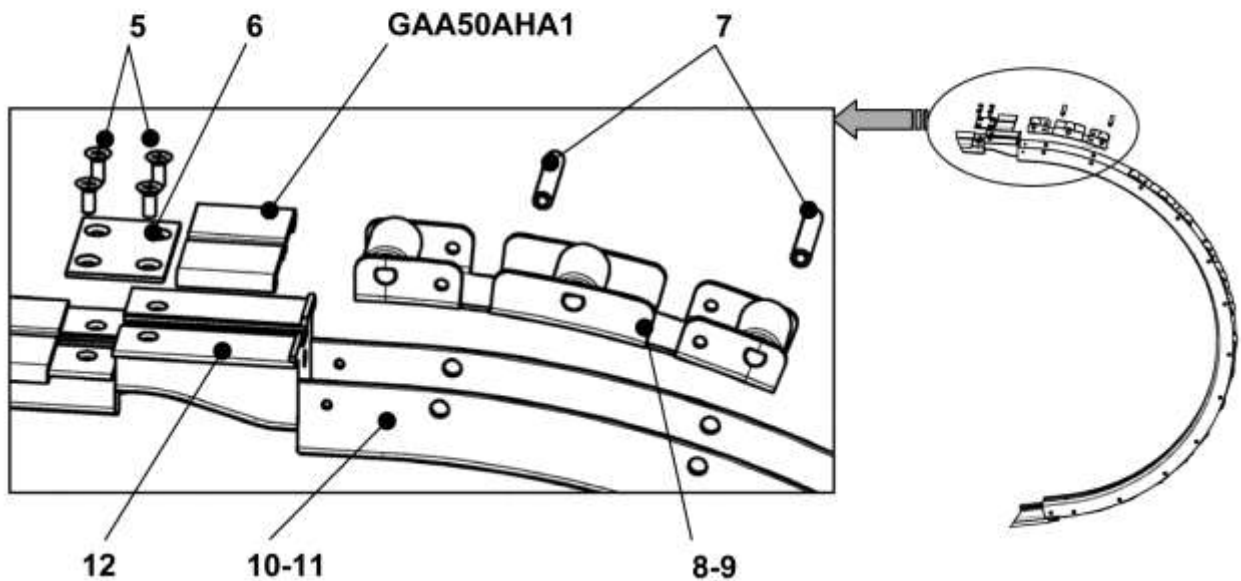
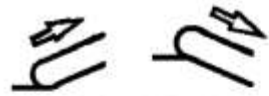
**57-GAA26228N**



GAA26228N		
REF. No.	PART No.	DESCRIPTION
1	GAA50AHA1	Handrail guide shape L = 6000 mm
2	GAA94AV1	Spring Clip
3	GAA50AHE1	Handrail guide, straight, L = 6000 mm
4	GAA50AHE2	Handrail guide, straight, L = 2400 mm

**57-GAA26228N**

# NextStep™ Escalator Balustrade Handrail Guide

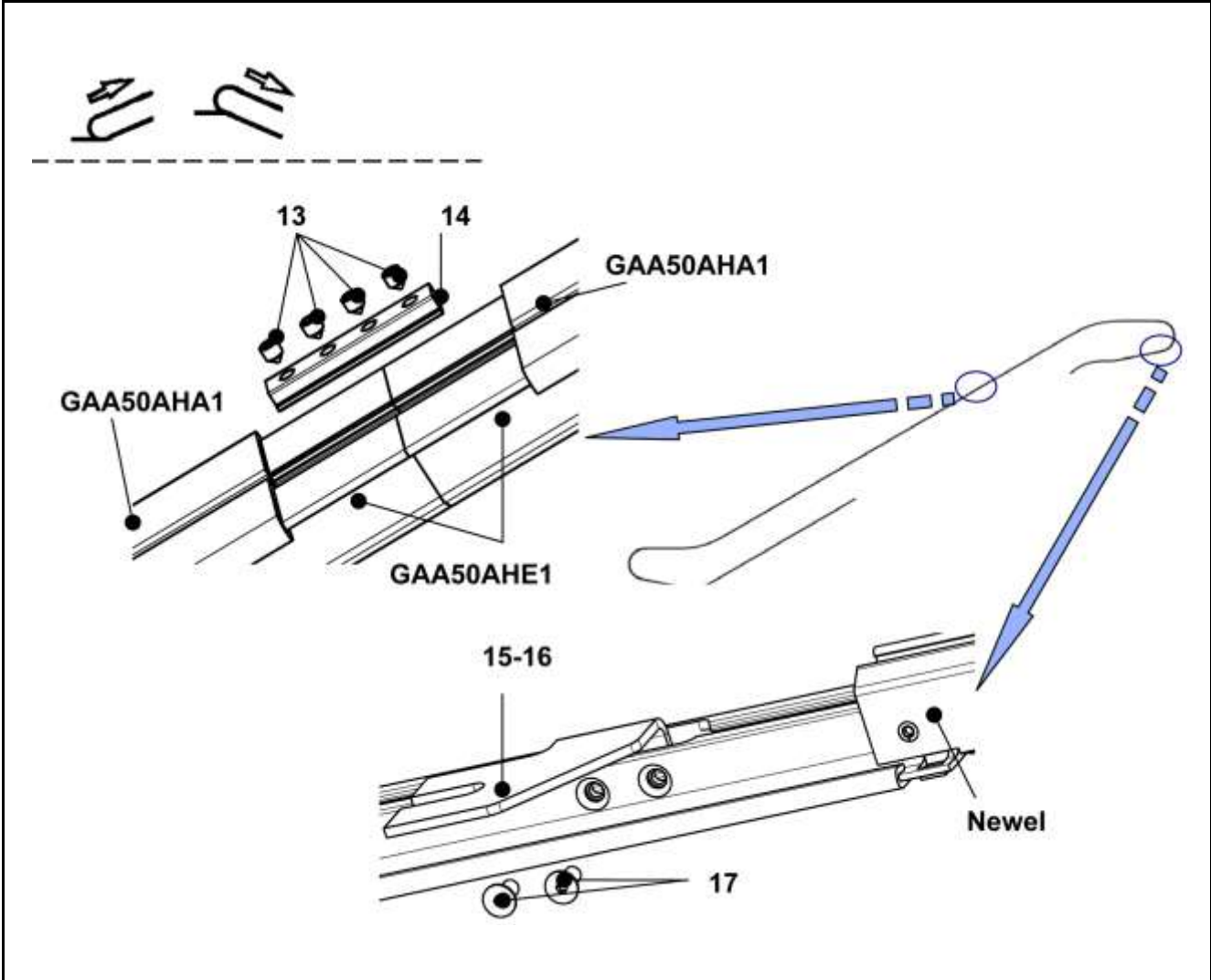


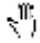
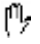
<b>GAA26228N</b>		
<b>REF. No.</b>	<b>PART No.</b>	<b>DESCRIPTION</b>
5	ISO7046M4X10Z_4.8Z	Recessed Countersunk Head Screw
6	GAA386DEL1	Plate
7	GAA465DG1	Spring Pin, DIN50961 Fe/Zn 12cc
8	GAA402CHP1	Handrail Guide Balustrade Height = 1000 mm
9	GAA402CHP2	Handrail Guide Balustrade Height = 930 mm
10	GAA402CGA1	Handrail Guide Newel Balustrade Height = 1000 mm
11	GAA402CGA2	Handrail Guide Newel Balustrade Height = 930 mm
12	GAA402CGH1	Handrail Guidance Newel Transition Piece

# NextStep™ Escalator

## Balustrade Handrail Guide

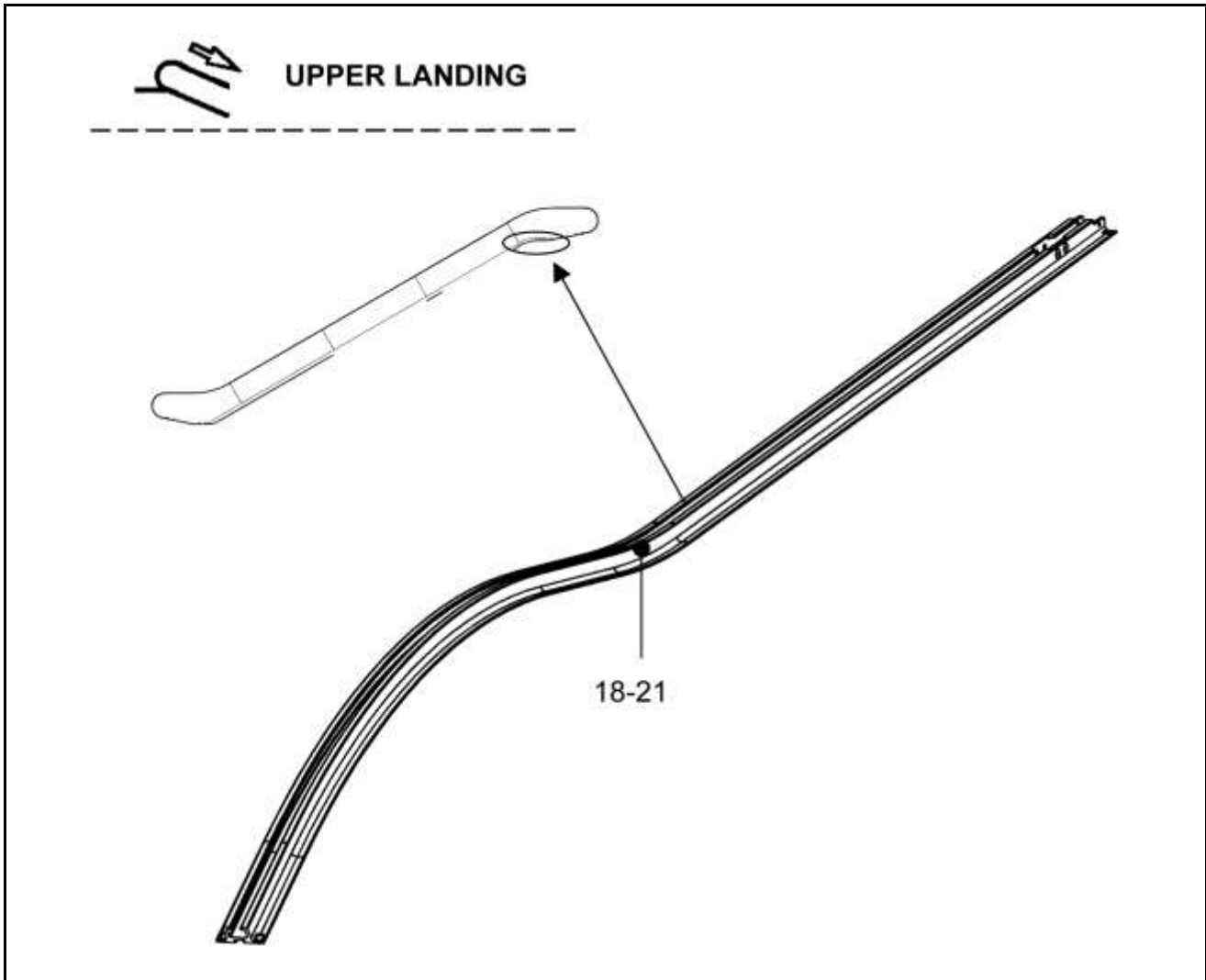
**57-GAA26228N**



<b>GAA26228N</b>		
<b>REF. No.</b>	<b>PART No.</b>	<b>DESCRIPTION</b>
13	ISO4027_M4X5_45H_Z	Recessed Countersunk Head Screw DIN914_M4X5_45H_Z
14	GAA176GC1	Connector
15	GAA180CGZ1	Bracket, connect to entry box holder, right side 
16	GAA180CGZ2	Bracket, connect to entry box holder, left side 
17	ISO10642_M5x8_10.9Z	Recessed Countersunk Head Screw

**57-GAA26228N**

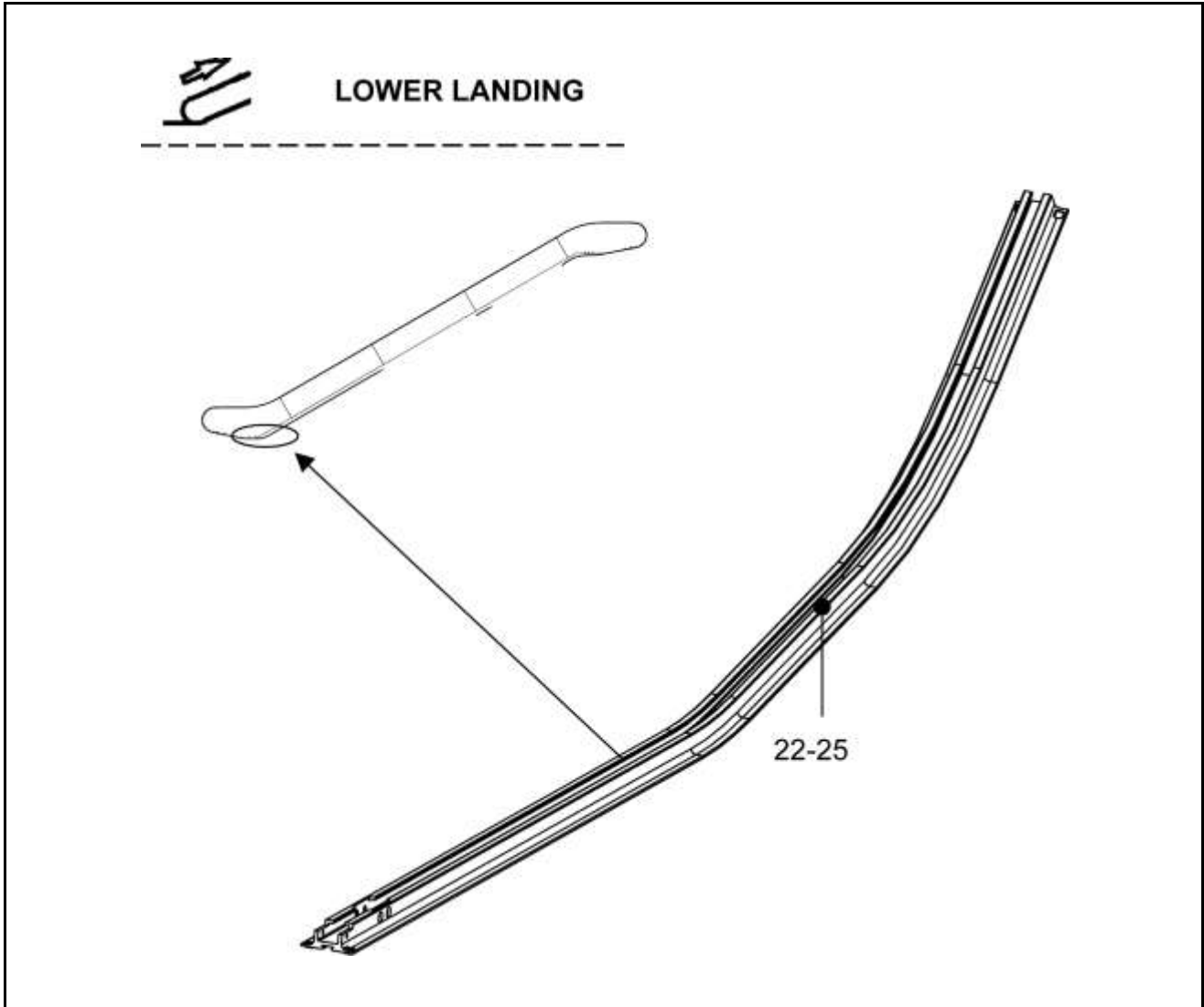
# NextStep™ Escalator Balustrade Handrail Guide



<b>GAA26228N</b>		
<b>REF. No.</b>	<b>PART No.</b>	<b>DESCRIPTION</b>
18	GAA402CEF1	HR Guide, Return Side, Upper Landing, 30°, 2 Flat steps
19	GAA402CEF2	HR Guide, Return Side, Upper Landing, 30°, 3 Flat steps
20	GAA402CEF3	HR Guide, Return Side, Upper Landing, 35°, 2 Flat steps
21	GAA402CEF4	HR Guide, Return Side, Upper Landing, 35°, 3 Flat steps

# NextStep™ Escalator Balustrade Handrail Guide

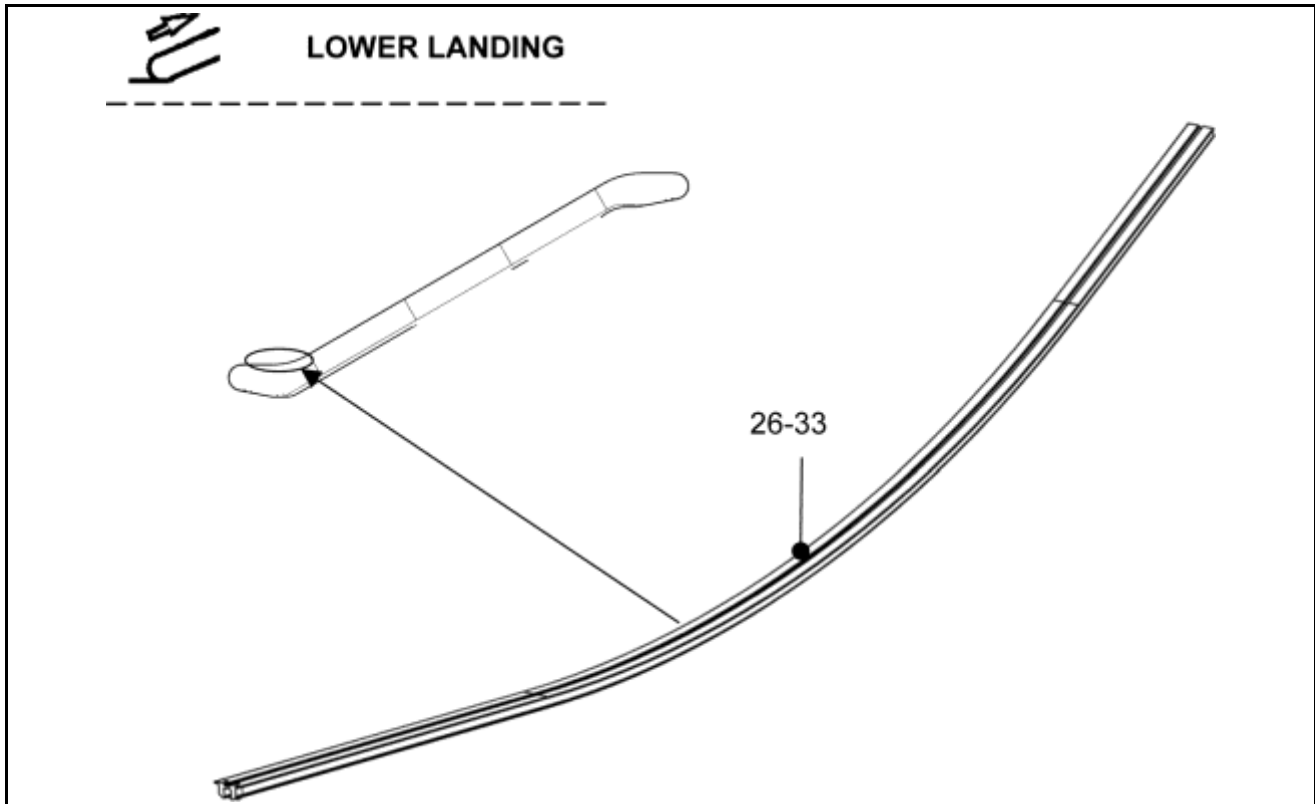
**57-GAA26228N**



<b>GAA26228N</b>		
<b>REF. No.</b>	<b>PART No.</b>	<b>DESCRIPTION</b>
22	GAA402CED1	HR Guide, Return Side, Lower Landing, 30°, 2 Flat steps
23	GAA402CED2	HR Guide, Return Side, Lower Landing, 30°, 3 Flat steps
24	GAA402CED3	HR Guide, Return Side, Lower Landing, 35°, 2 Flat steps
25	GAA402CED4	HR Guide, Return Side, Lower Landing, 35°, 3 Flat steps

**57-GAA26228N**

# NextStep™ Escalator Balustrade Handrail Guide



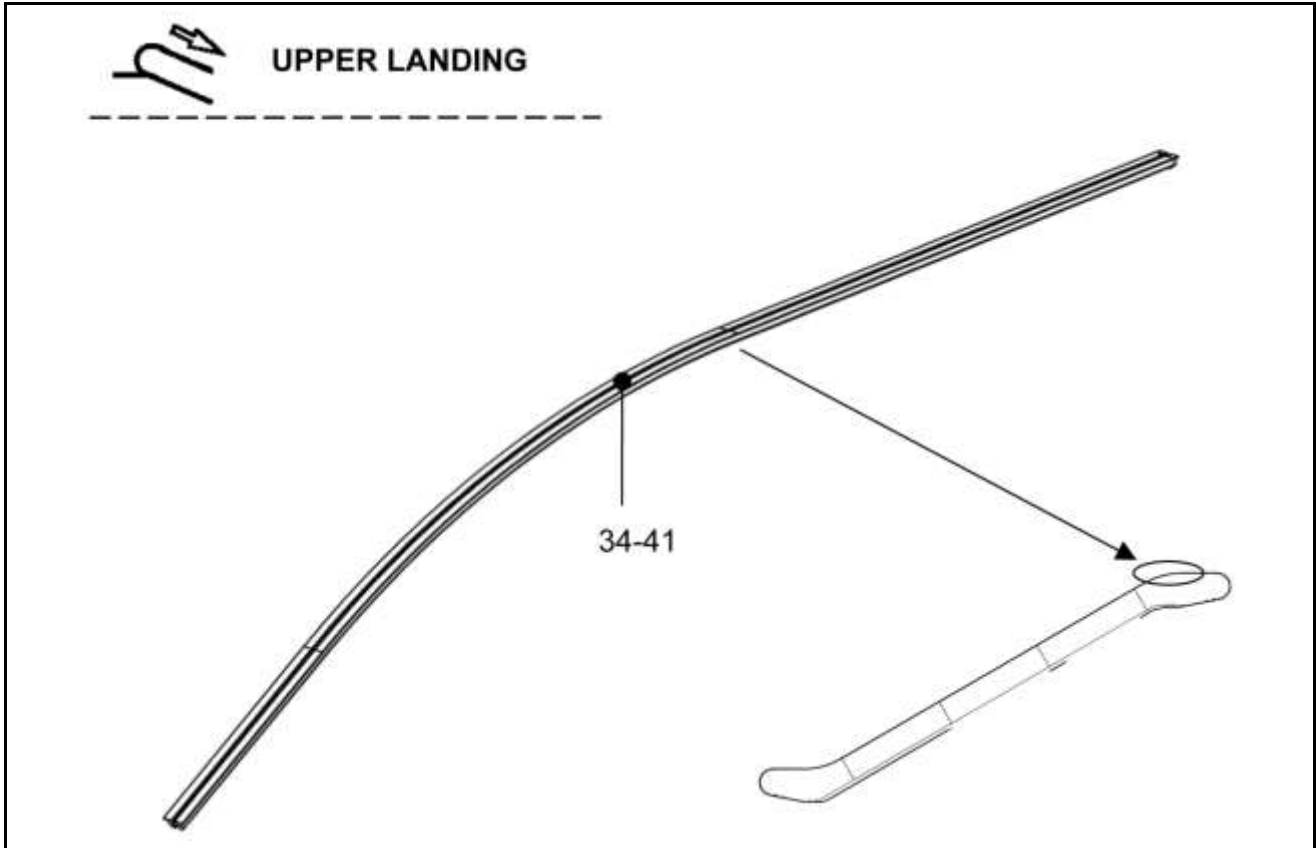
<b>GAA26228N</b>		
<b>REF. No.</b>	<b>PART No.</b>	<b>DESCRIPTION</b>
26	GAA402CEA1	HR Guide, Passenger Side, Lower Landing, 30°, 2 Flat steps, 1000
27	GAA402CEA2	HR Guide, Passenger Side, Lower Landing, 30°, 3 Flat steps, 1000
28	GAA402CEA3	HR Guide, Passenger Side, Lower Landing, 30°, 2 Flat steps, 930
29	GAA402CEA4	HR Guide, Passenger Side, Lower Landing, 30°, 3 Flat steps, 930
30	GAA402CEA5	HR Guide, Passenger Side, Lower Landing, 35°, 2 Flat steps, 1000
31	GAA402CEA6	HR Guide, Passenger Side, Lower Landing, 35°, 3 Flat steps, 1000
32	GAA402CEA7	HR Guide, Passenger Side, Lower Landing, 35°, 2 Flat steps, 930
33	GAA402CEA8	HR Guide, Passenger Side, Lower Landing, 35°, 3 Flat steps, 930



# NextStep™ Escalator

## Balustrade Handrail Guide

**57-GAA26228N**



<b>GAA26228N</b>		
<b>REF. No.</b>	<b>PART No.</b>	<b>DESCRIPTION</b>
34	GAA402CEB1	HR Guide, Passenger Side, Upper Landing, 30°, 2 Flat steps, 1000
35	GAA402CEB2	HR Guide, Passenger Side, Upper Landing, 30°, 3 Flat steps, 1000
36	GAA402CEB3	HR Guide, Passenger Side, Upper Landing, 30°, 2 Flat steps, 930
37	GAA402CEB4	HR Guide, Passenger Side, Upper Landing, 30°, 3 Flat steps, 930
38	GAA402CEB5	HR Guide, Passenger Side, Upper Landing, 35°, 2 Flat steps, 1000
39	GAA402CEB6	HR Guide, Passenger Side, Upper Landing, 35°, 3 Flat steps, 1000
40	GAA402CEB7	HR Guide, Passenger Side, Upper Landing, 35°, 2 Flat steps, 930
41	GAA402CEB8	HR Guide, Passenger Side, Upper Landing, 35°, 3 Flat steps, 930