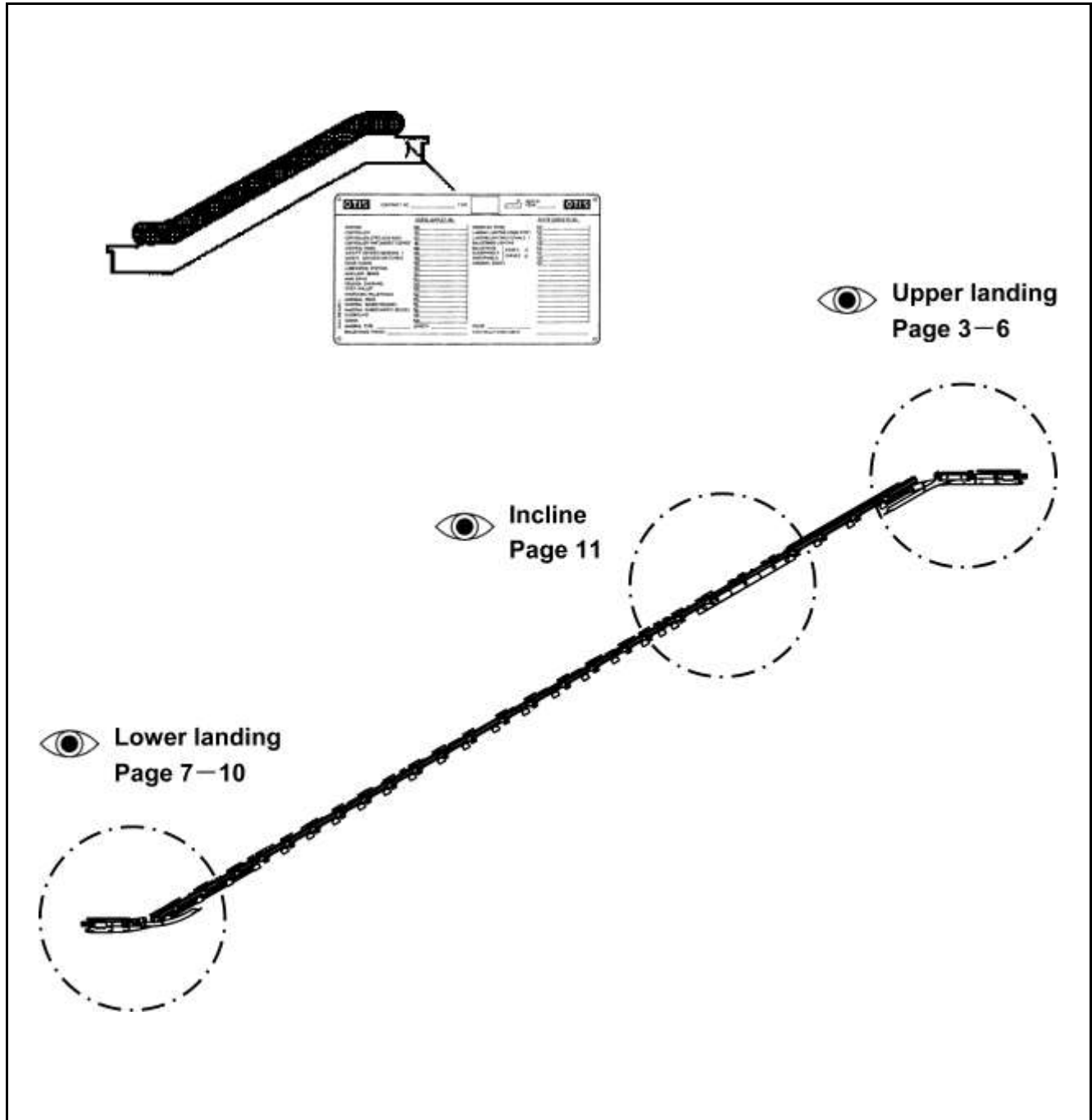


**NextStep™ Escalator
Balustrade Deck
Attachment Brackets**

Spare Parts Leaflet

57-GAA26228P

Nov. 13, 2007 / Page 1 of 12



Unpublished Work—©Otis Elevator Co.; 2007



Safety First!

SERVICE ENGINEERING
Otis Elevator Company
Bloomfield, Connecticut USA

Leaflet Description

Balustrade Deck Attachment Brackets

Leaflet Revisions

Date Revised	Subject Matter Expert	Reason for Revision
Apr. 07, 2004	Ye, Ke	Release
Nov. 10, 2004	Ye, Ke	Modify
Dec. 30, 2004	Ye, Ke	Add more detail description to “track, holder, bracket”
Nov.30, 2005	Ye, Ke	Update page 1, 2, 3, 4, 5, 6, 7, 8, 9, 10, 11
Nov. 13, 2007	Ye, Ke	Parts (Ref. No. 106–117) added on page 12.

Related Drawings

Drawing No.	Title	Drawing No.	Title
GBA26228P	Balustrade Deck Attachment Brackets		

Related Documents

Document ID	Title
BOM	

Subject Matter Expert

Name	Department
Ye, Ke	SIT-Guangzhou

About Spare Parts Leaflets...

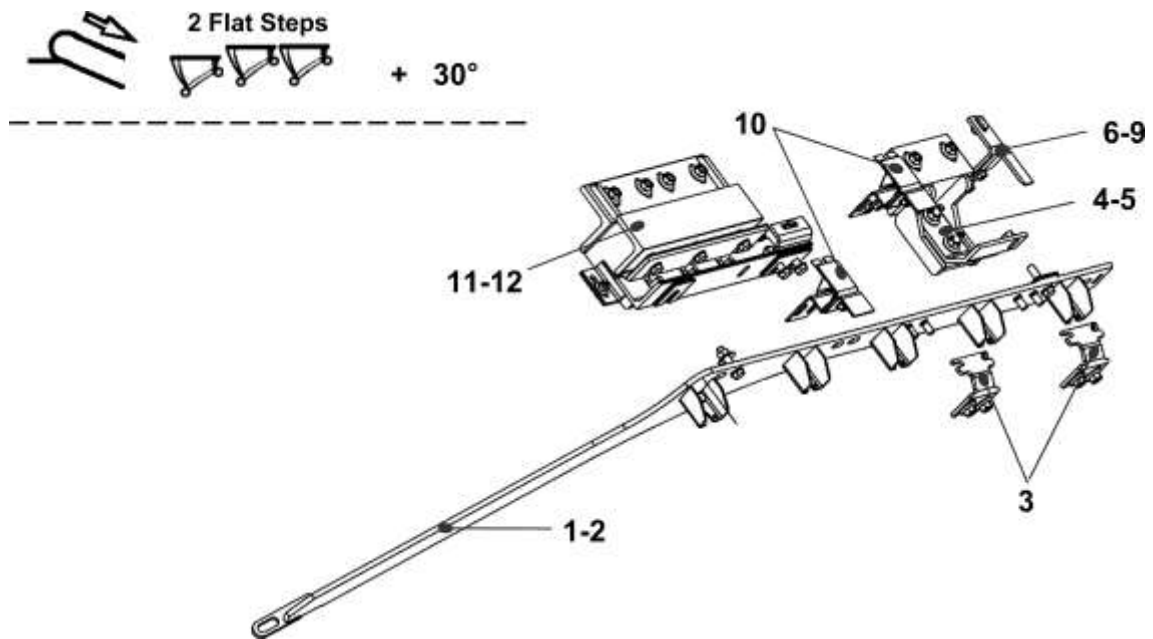
This document lists the lowest replaceable units (LRUs) for the standard version of the product. The LRUs are chosen by a team of Otis associates representing engineering and manufacturing.

While goal of this document is to make parts identification as easy as possible, the document cannot be all-inclusive. Elevator and escalator contracts classified as “special” or “custom” are not addressed here. For such contracts, please refer to specified information, the contract folder, TIPs, Field Education Articles, Construction Letters, etc. for further information.

If you have any suggestions about this document, please contact the subject matter expert listed on this page.

NextStep™ Escalator Balustrade Deck Attachment Brackets

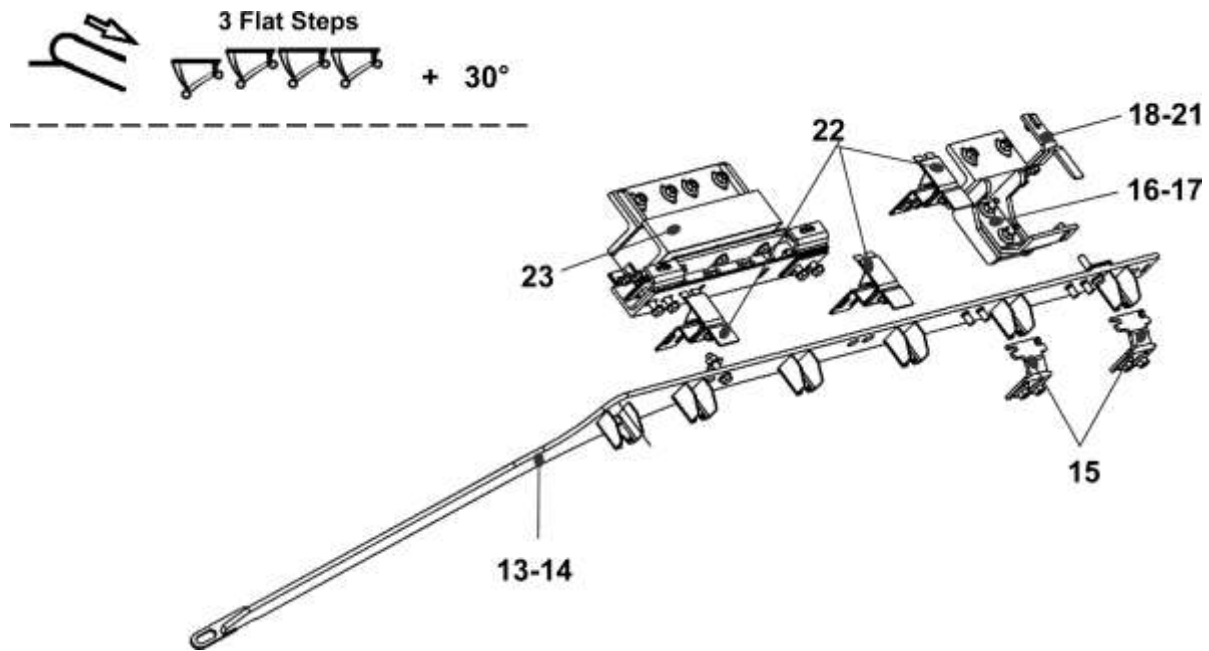
57-GAA26228P



GBA26228W1			
REF. No.	PART No.	DESCRIPTION	
1	GAA316CPZ1	Track, Step Flange Cover	Left Side
	GBA316CPZ1	Track, Step Flange Cover	Left Side
2	GAA316CPZ2	Track, Step Flange Cover	Right Side
	GBA316CPZ2	Track, Step Flange Cover	Right Side
3	GAA180CDC1	Holder, Inner Decking	
4	GAA316CPD1	Holder, Outer Decking	Left Side
5	GAA316CPD2	Holder, Outer Decking	Right Side
6	GAA180CHZ1	Holder, Outer Decking (only if ST. ST. decking)	Right Side
7	GAA180CHZ2	Holder, Outer Decking (only if ST. ST. decking)	Left Side
8	GAA180CHZ3	Holder, Outer Decking (only if Alu. decking)	Right Side
9	GAA180CHZ4	Holder, Outer Decking (only if Alu. decking)	Left Side
10	GAA180CHG1	Bracket, Outer Decking	
11	GAA316CPE2	Holder, Glass Panel	Right Side
12	GAA316CPE3	Holder, Glass Panel	Left Side

57-GAA26228P

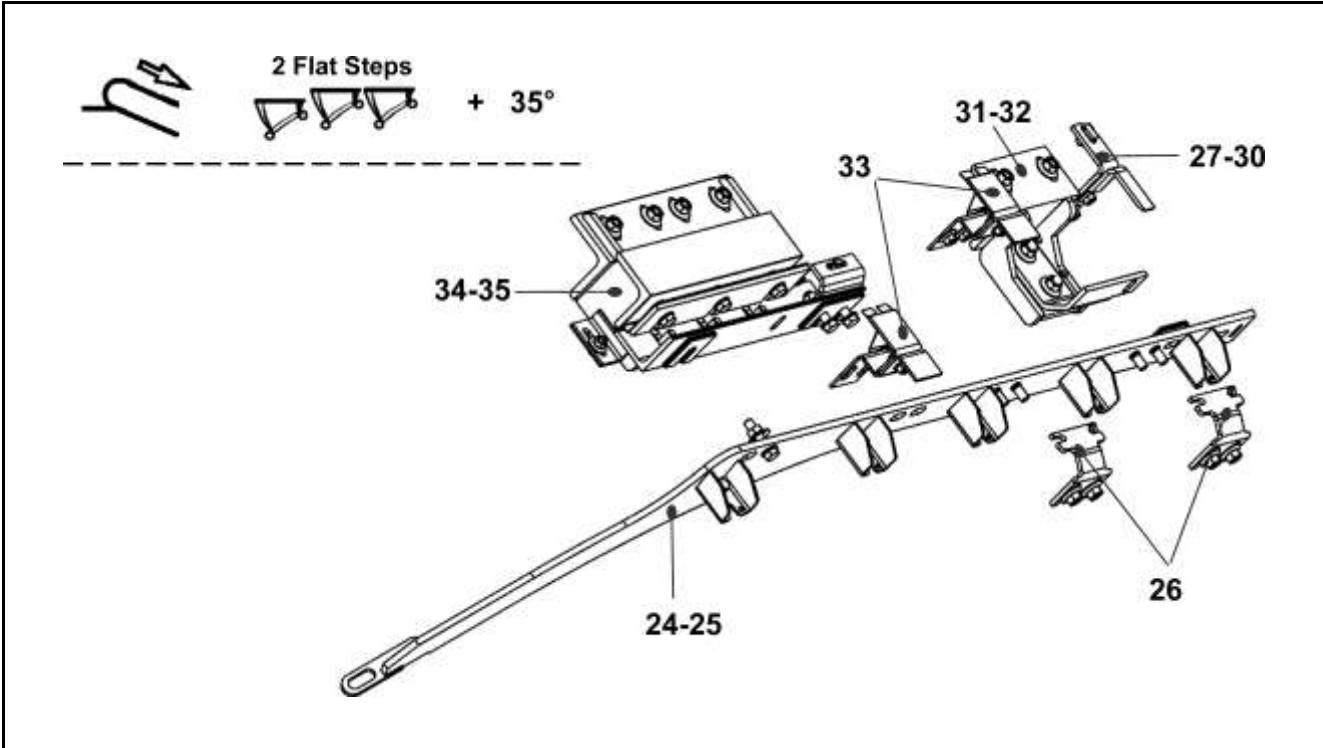
NextStep™ Escalator Balustrade Deck Attachment Brackets



GAA26228W2			
REF. No.	PART No.	DESCRIPTION	
13	GAA316CPZ3	Track, Step Flange Cover	Left Side
	GBA316CPZ3	Track, Step Flange Cover	Left Side
14	GAA316CPZ4	Track, Step Flange Cover	Right Side
	GBA316CPZ4	Track, Step Flange Cover	Right Side
15	GAA180CDC1	Holder, Inner Decking	
16	GAA316CPD1	Holder, Outer Decking	Left Side
17	GAA316CPD2	Holder, Outer Decking	Right Side
18	GAA180CHZ1	Holder, Outer Decking (only if ST. ST. decking)	Right Side
19	GAA180CHZ2	Holder, Outer Decking (only if ST. ST. decking)	Left Side
20	GAA180CHZ3	Holder, Outer Decking (only if Alu. decking)	Right Side
21	GAA180CHZ4	Holder, Outer Decking (only if Alu. decking)	Left Side
22	GAA180CHG1	Bracket, Outer Decking	
23	GAA316CPE1	Holder, Glass Panel	

NextStep™ Escalator Balustrade Deck Attachment Brackets

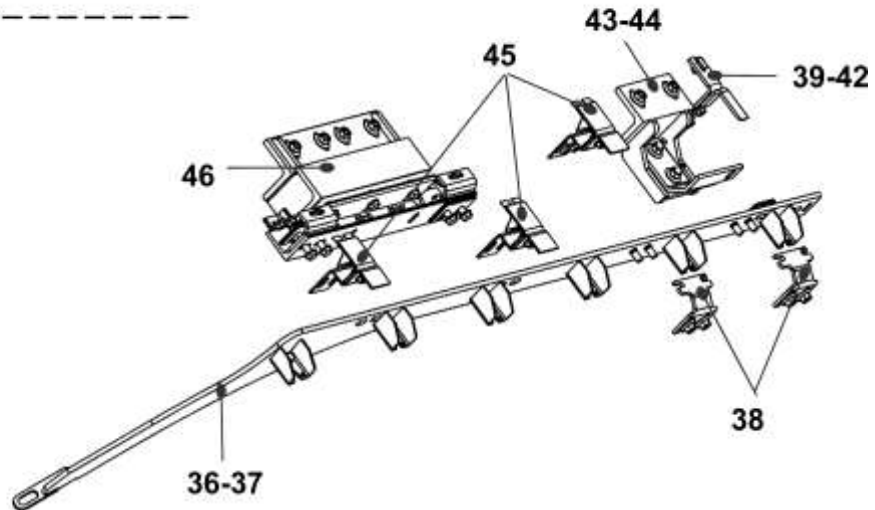
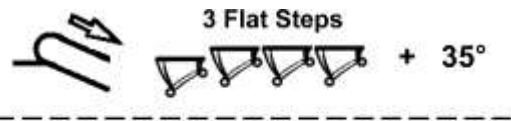
57-GAA26228P



GBA26228W3			
REF. No.	PART No.	DESCRIPTION	
24	GAA316CSJ1	Track, Step Flange Cover	Left Side
	GBA316CSJ1	Track, Step Flange Cover	Left Side
25	GAA316CSJ2	Track, Step Flange Cover	Right Side
	GBA316CSJ2	Track, Step Flange Cover	Right Side
26	GAA180CDC1	Holder, Inner Decking	
27	GAA180CHZ1	Holder, Outer Decking (only if ST. ST. decking)	Right Side
28	GAA180CHZ2	Holder, Outer Decking (only if ST. ST. decking)	Left Side
29	GAA180CHZ3	Holder, Outer Decking (only if Alu. decking)	Right Side
30	GAA180CHZ4	Holder, Outer Decking (only if Alu. decking)	Left Side
31	GAA316CPD1	Holder, Outer Decking	Left Side
32	GAA316CPD2	Holder, Outer Decking	Right Side
33	GAA180CHG1	Bracket, Outer Decking	
34	GAA316CPE2	Holder, Glass Panel	Right Side
35	GAA316CPE3	Holder, Glass Panel	Left Side

57-GAA26228P

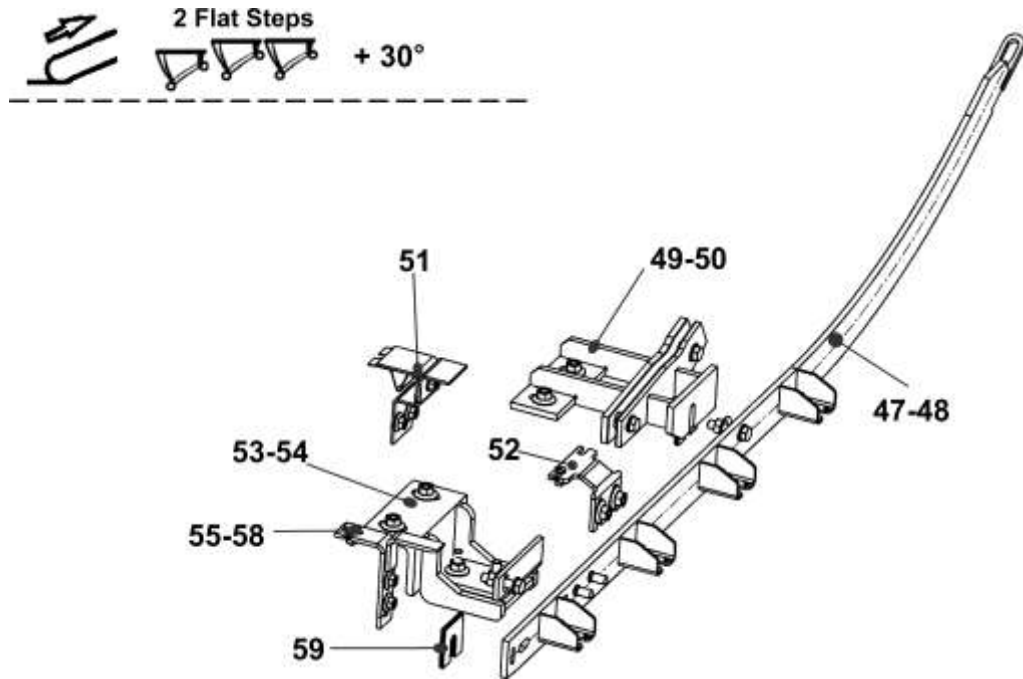
NextStep™ Escalator Balustrade Deck Attachment Brackets



GBA26228W4			
REF. No.	PART No.	DESCRIPTION	
36	GAA316CSJ3	Track, Step Flange Cover	Left Side
	GBA316CSJ3	Track, Step Flange Cover	Left Side
37	GAA316CSJ4	Track, Step Flange Cover	Right Side
	GBA316CSJ4	Track, Step Flange Cover	Right Side
38	GAA180CDC1	Holder, Inner Decking	
39	GAA180CHZ1	Holder, Outer Decking (only if ST. ST. decking)	Right Side
40	GAA180CHZ2	Holder, Outer Decking (only if ST. ST. decking)	Left Side
41	GAA180CHZ3	Holder, Outer Decking (only if Alu. decking)	Right Side
42	GAA180CHZ4	Holder, Outer Decking (only if Alu. decking)	Left Side
43	GAA316CPD1	Holder, Outer Decking	Left Side
44	GAA316CPD2	Holder, Outer Decking	Right Side
45	GAA180CHG1	Bracket, Outer Decking	
46	GAA316CPE1	Holder, Glass Panel	

NextStep™ Escalator Balustrade Deck Attachment Brackets

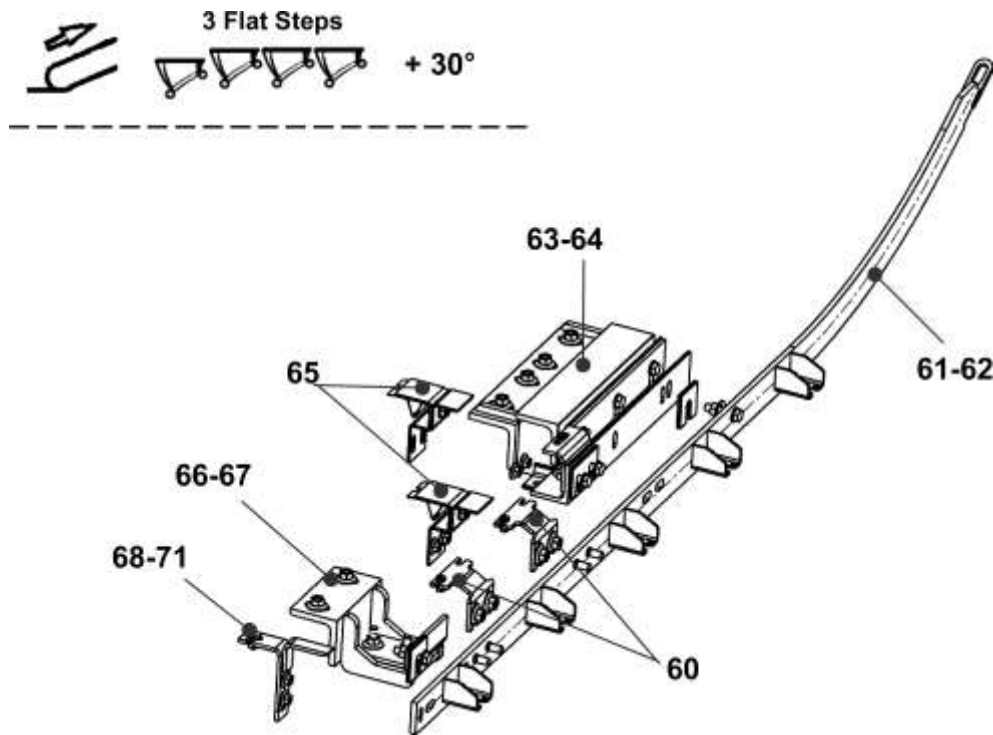
57-GAA26228P



GBA26228X1			
REF. No.	PART No.	DESCRIPTION	
47	GAA316CRA1	Track, Step Flange Cover	Left Side
	GBA316CRA1	Track, Step Flange Cover	Left Side
48	GAA316CRA2	Track, Step Flange Cover	Right Side
	GBA316CRA2	Track, Step Flange Cover	Right Side
49	GAA180CDK1	Holder, Glass Panel	Left Side
50	GAA180CDK2	Holder, Glass Panel	Right Side
51	GAA180CHG1	Bracket, Outer Decking	
52	GAA180CDC1	Holder, Inner Decking	
53	GAA316CPD1	Holder, Outer Decking	Right Side
54	GAA316CPD2	Holder, Outer Decking	Left Side
55	GAA180CHZ1	Holder, Outer Decking (only if ST. ST. decking)	Left Side
56	GAA180CHZ2	Holder, Outer Decking (only if ST. ST. decking)	Right Side
57	GAA180CHZ3	Holder, Outer Decking (only if Alu. decking)	Left Side
58	GAA180CHZ4	Holder, Outer Decking (only if Alu. decking)	Right Side
59	GO255BP75	Shim	

57-GAA26228P

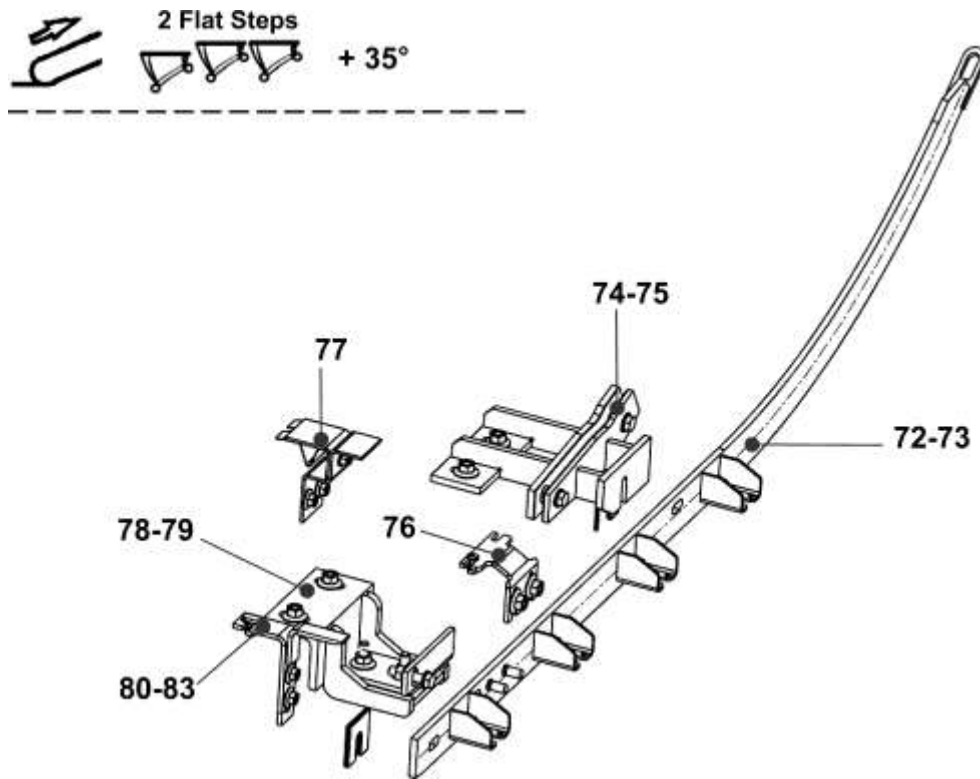
NextStep™ Escalator Balustrade Deck Attachment Brackets



GBA26228X2			
REF. No.	PART No.	DESCRIPTION	
60	GAA180CDC1	Holder, Inner Decking	
61	GAA316CRA3	Track, Step Flange Cover	Left Side
	GBA316CRA3	Track, Step Flange Cover	Left Side
62	GAA316CRA4	Track, Step Flange Cover	Right Side
	GBA316CRA4	Track, Step Flange Cover	Right Side
63	GAA316CPE2	Holder, Glass Panel	Left Side
64	GAA316CPE3	Holder, Glass Panel	Right Side
65	GAA180CHG1	Bracket, Outer Decking	
66	GAA316CPD1	Holder, Outer Decking	Right Side
67	GAA316CPD2	Holder, Outer Decking	Left Side
68	GAA180CHZ1	Holder, Outer Decking (only if ST. ST. decking)	
69	GAA180CHZ2	Holder, Outer Decking (only if ST. ST. decking)	
70	GAA180CHZ3	Holder, Outer Decking (only if Alu. decking)	
71	GAA180CHZ4	Holder, Outer Decking (only if Alu. decking)	

NextStep™ Escalator Balustrade Deck Attachment Brackets

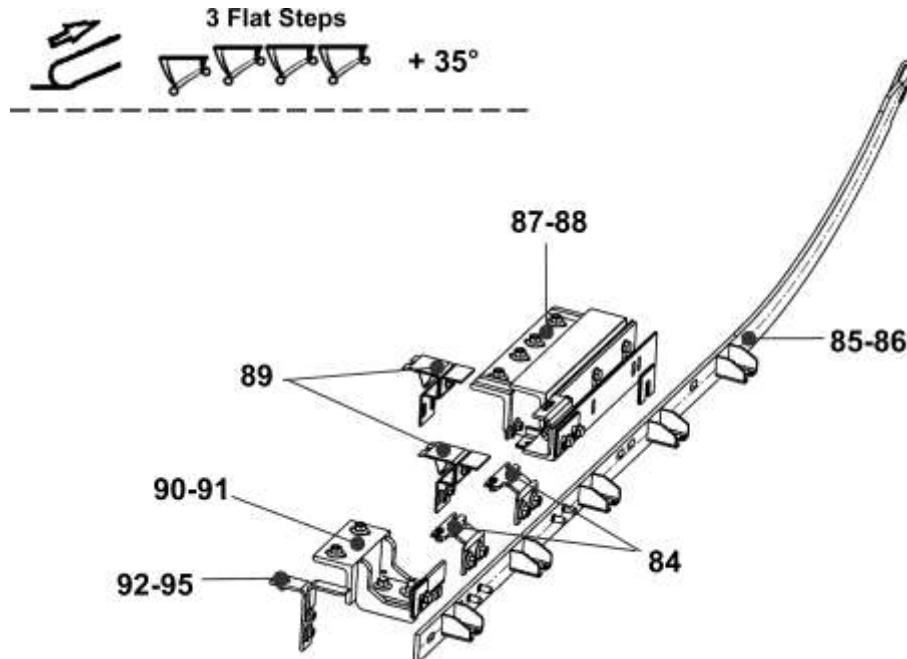
57-GAA26228P



GBA26228X3			
REF. No.	PART No.	DESCRIPTION	
72	GAA316CSK1	Track, Step Flange Cover	Left Side
	GBA316CSK1	Track, Step Flange Cover	Left Side
73	GAA316CSK2	Track, Step Flange Cover	Right Side
	GBA316CSK2	Track, Step Flange Cover	Right Side
74	GAA180CDK1	Holder, Glass Panel	Left Side
75	GAA180CDK2	Holder, Glass Panel	Right Side
76	GAA180CDC1	Holder, Inner Decking	
77	GAA180CHG1	Bracket, Outer Decking	
78	GAA316CPD1	Holder, Outer Decking	Right Side
79	GAA316CPD2	Holder, Outer Decking	Left Side
80	GAA180CHZ1	Holder, Outer Decking (only if ST. ST. decking)	Left Side
81	GAA180CHZ2	Holder, Outer Decking (only if ST. ST. decking)	Right Side
82	GAA180CHZ3	Holder, Outer Decking (only if Alu. decking)	Left Side
83	GAA180CHZ4	Holder, Outer Decking (only if Alu. decking)	Right Side

57-GAA26228P

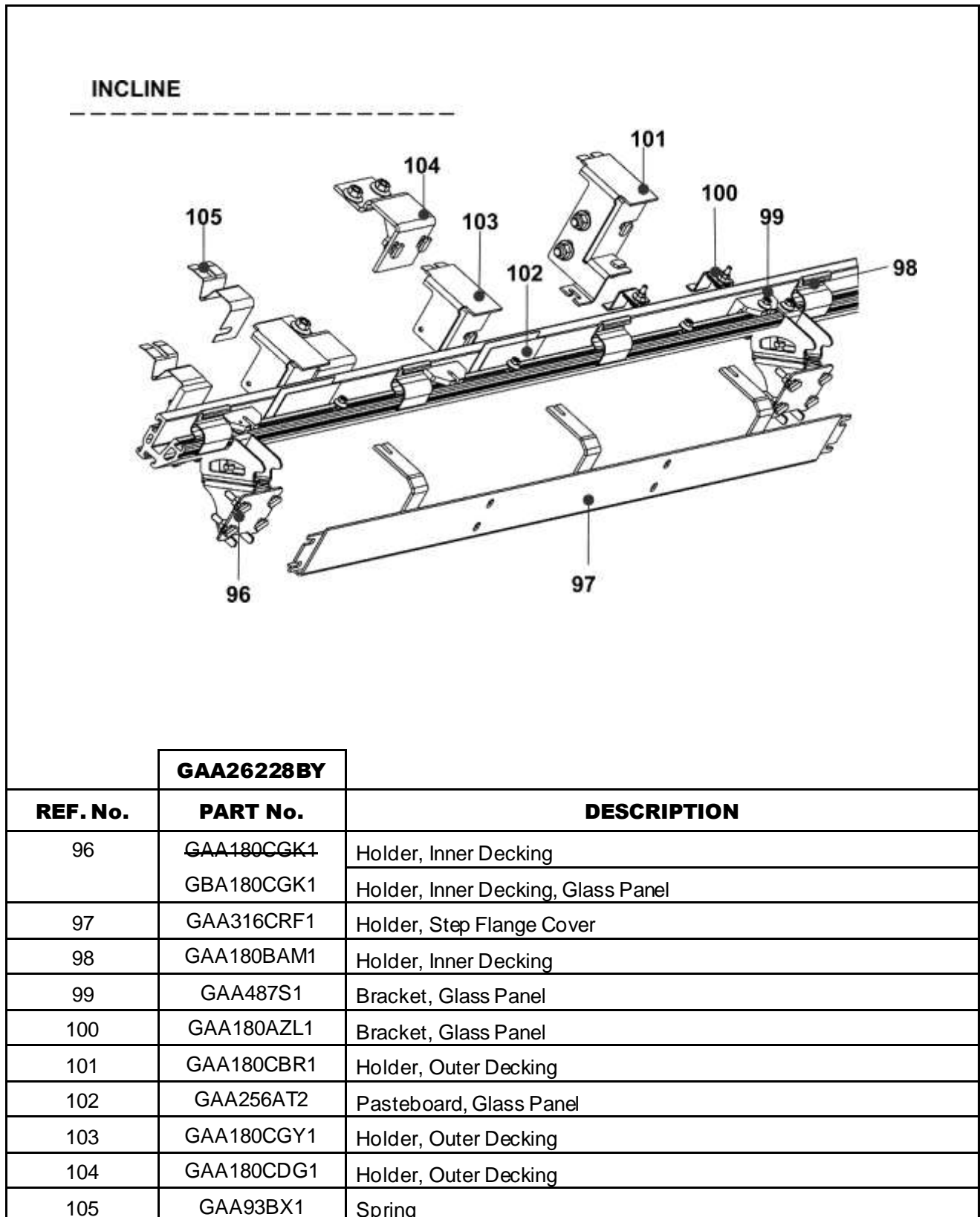
NextStep™ Escalator Balustrade Deck Attachment Brackets



GAA26228X4			
REF. No.	PART No.	DESCRIPTION	
84	GAA180CDC1	Holder, Inner Decking	
85	GAA316CSK3	Track, Step Flange Cover	Left Side
	GBA316CSK3	Track, Step Flange Cover	Left Side
86	GAA316CSK4	Track, Step Flange Cover	Right Side
	GBA316CSK4	Track, Step Flange Cover	Right Side
87	GAA316CPE2	Holder, Glass Panel	Left Side
88	GAA316CPE3	Holder, Glass Panel	Right Side
89	GAA180CHG1	Bracket, Outer Decking	
90	GAA316CPD1	Holder, Outer Decking	Right Side
91	GAA316CPD2	Holder, Outer Decking	Left Side
92	GAA180CHZ1	Holder, Outer Decking (only if ST. ST. decking)	Left Side
93	GAA180CHZ2	Holder, Outer Decking (only if ST. ST. decking)	Right Side
94	GAA180CHZ3	Holder, Outer Decking (only if Alu. decking)	Left Side
95	GAA180CHZ4	Holder, Outer Decking (only if Alu. decking)	Right Side

NextStep™ Escalator Balustrade Deck Attachment Brackets

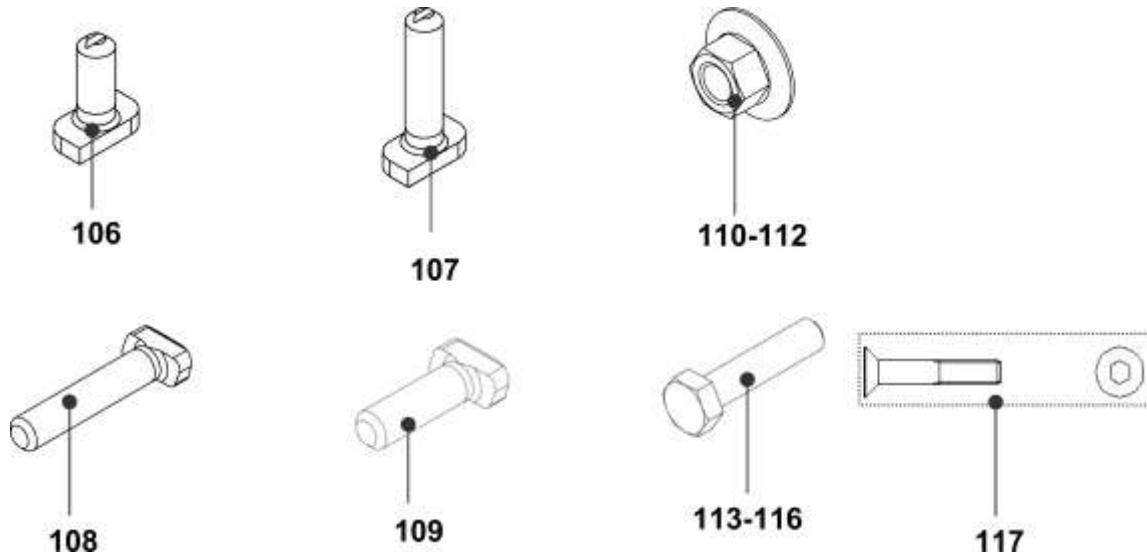
57-GAA26228P



GAA26228BY		
REF. No.	PART No.	DESCRIPTION
96	GAA180CGK1	Holder, Inner Decking
	GBA180CGK1	Holder, Inner Decking, Glass Panel
97	GAA316CRF1	Holder, Step Flange Cover
98	GAA180BAM1	Holder, Inner Decking
99	GAA487S1	Bracket, Glass Panel
100	GAA180AZL1	Bracket, Glass Panel
101	GAA180CBR1	Holder, Outer Decking
102	GAA256AT2	Pasteboard, Glass Panel
103	GAA180CGY1	Holder, Outer Decking
104	GAA180CDG1	Holder, Outer Decking
105	GAA93BX1	Spring

57-GAA26228P

NextStep™ Escalator Balustrade Deck Attachment Brackets



GAA26228P		
REF. No.	PART No.	DESCRIPTION
106	GAA65DP1	M8 Bolt, Length 20 mm
107	GAA65DP2	M8 Bolt, Length 33 mm
108	GX65BD501	M6 Bolt
109	FX65BD1	M6 Bolt
110	GAA72BS3	Washer Nut, M6
111	GAA72BS4	Washer Nut, M8
112	GAA72BS5	Washer Nut, M10
113	ISO4017 M10X45-8.8Z	Hex. Head Bolt
114	ISO4017 M10X35-8.8Z	Hex. Head Bolt
115	ISO4017 M10X25-8.8Z	Hex. Head Bolt
116	ISO4017 M10X16-8.8Z	Hex. Head Bolt
117	DIN7991 M10X40-10.9Z	Counter Sunk Head Screw