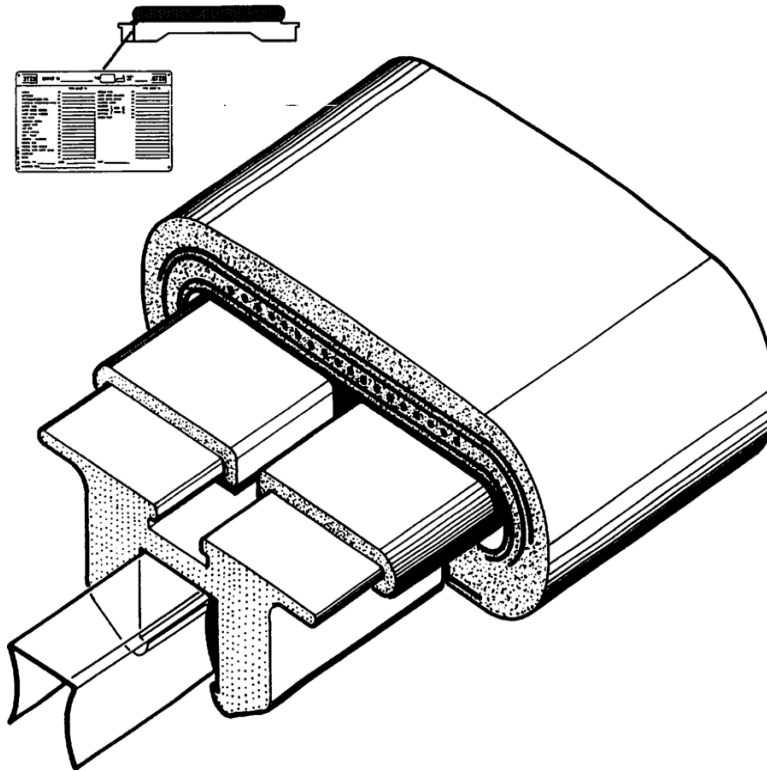


SPL 57-GAA26426A - Trav-O-Lator 606 NCT Balustrade Handrail Guide

Unpublished Work - © Otis Elevator Company. Any unauthorized reproduction, disclosure, or distribution of copies or content by any person of any portion of this work may be a violation of Copyright Law of the United States of America. All rights reserved.

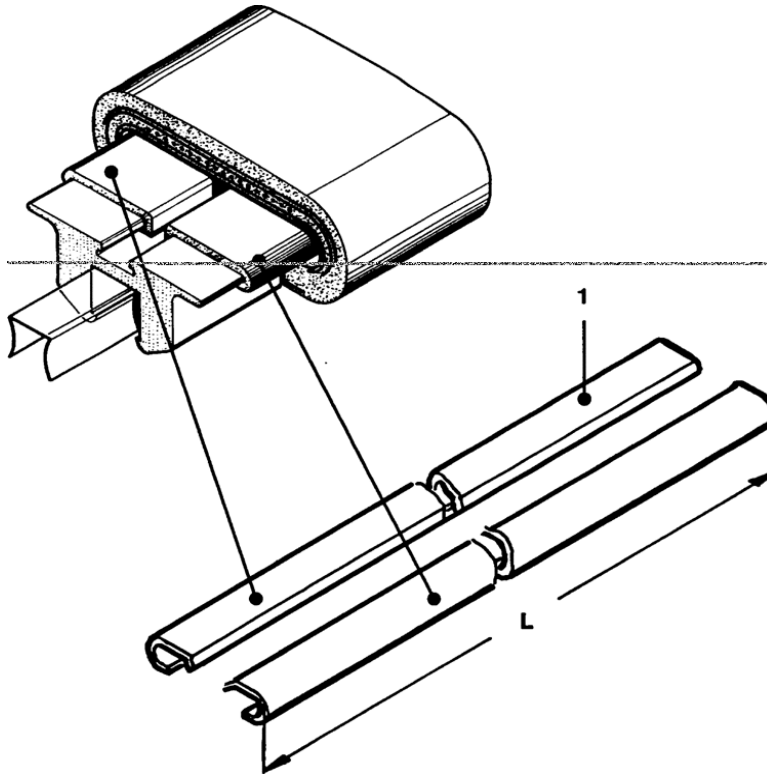
November 1996

Page 1



SPL 57-GAA26426A - Trav-O-Lator 606 NCT Balustrade Handrail Guide

Page 2 - Trav-O-Lator 606 NCT Balustrade Handrail Guide

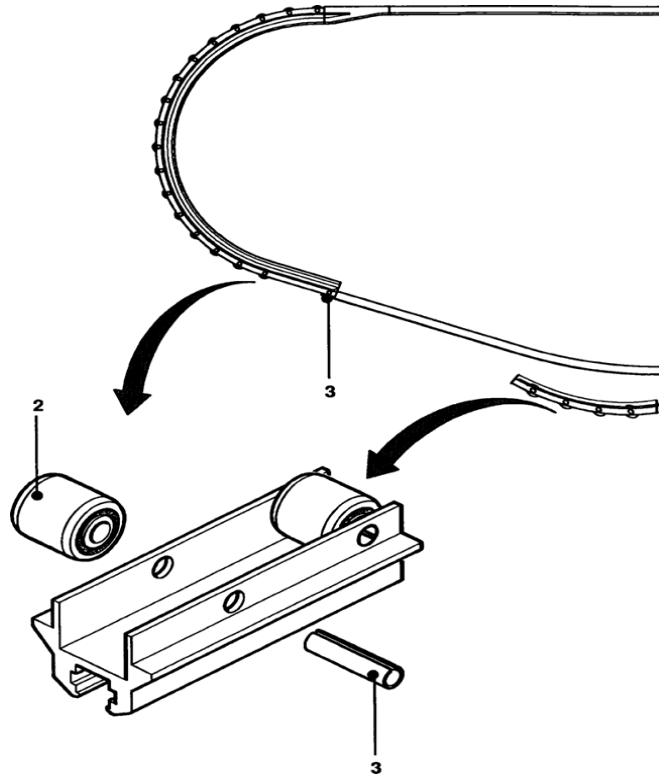


Page 2 - Trav-O-Lator 606 NCT Balustrade Handrail Guide

REF. No.	PART No.	DESCRIPTION
1	GAA50AHA1	Handrail Guide Shape, L = 6000 mm, Cut on Job Site

SPL 57-GAA26426A - Trav-O-Lator 606 NCT Balustrade Handrail Guide

Page 3 - Trav-O-Lator 606 NCT Balustrade Handrail Guide



Page 3 - Trav-O-Lator 606 NCT Balustrade Handrail Guide

REF. No.	PART No.	DESCRIPTION
2	GAA456AY1	Roller
3	GO456BA1	Pin