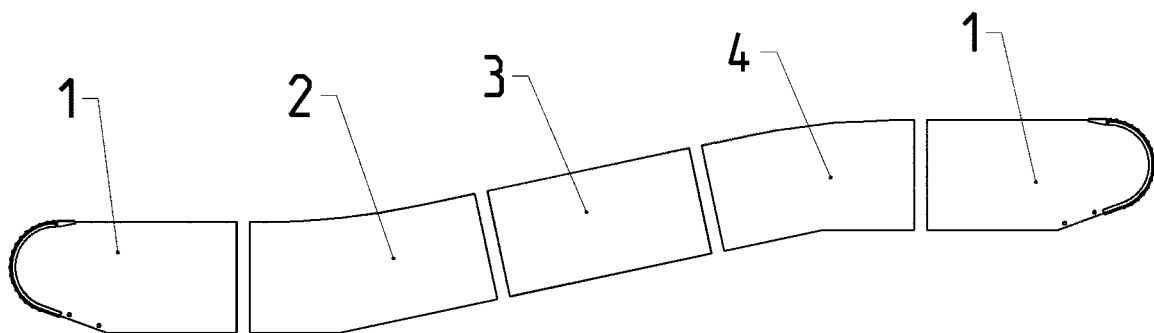


**Balustrade Glass  
Panel: 606NCT Inclined**

**Spare Parts Leaflet**

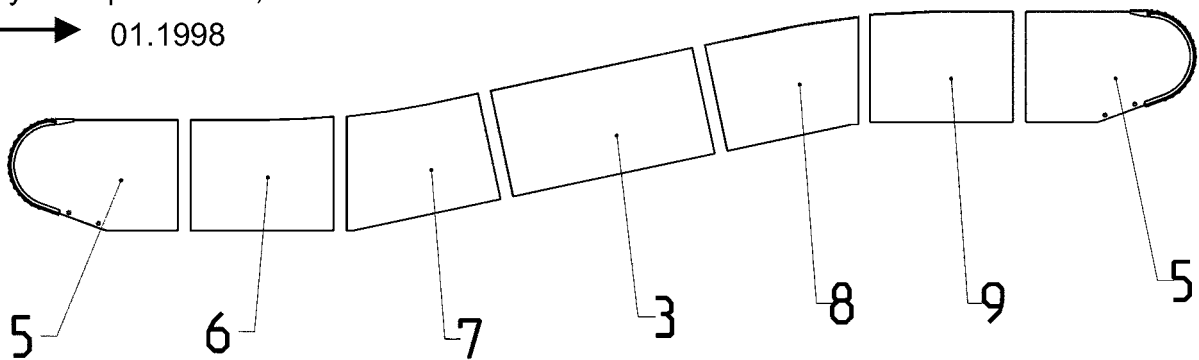
**57-GAA26427C**

**April 1, 2004 / Page 1 of 13**



only for replacement, Code: SAA

● → 01.1998



**Leaflet Description**

Valid for 606NCT inclined type only. Dimension of transition = 140.4 mm. This dimension has to be checked. (Transition piece: part between newel and handrail guide in the landings.)

For new balustrade height according to ASME 17.1-2000/B44, see SPL 57-GAA26427P. Dimension of transition piece = 60 mm.

For 606NCT compact type, see SPL 57-GAA26427A.

For 606NCT horizontal type, see SPL 57-GAA26427D.

**Leaflet Revisions**

| <b>Date Revised</b> | <b>Subject Matter Expert</b> | <b>Reason for Revision</b> |
|---------------------|------------------------------|----------------------------|
| April 1, 2004       | Margarete Solbach            | New SPL                    |
| ---                 | ---                          | ---                        |

**Related Drawings**

| <b>Drawing No.</b> | <b>Title</b>          | <b>Drawing No.</b> | <b>Title</b> |
|--------------------|-----------------------|--------------------|--------------|
| GAA26427C          | Interior Panel, Glass | ---                | ---          |
| ---                | ---                   | ---                | ---          |

**Related Documents**

| <b>Document ID</b> | <b>Title</b> |
|--------------------|--------------|
| ---                | ---          |
| ---                | ---          |

**Subject Matter Expert**

| <b>Name</b>       | <b>Department</b> |
|-------------------|-------------------|
| Margarete Solbach | SIT Stadthagen    |

**About Spare Parts Leaflets...**

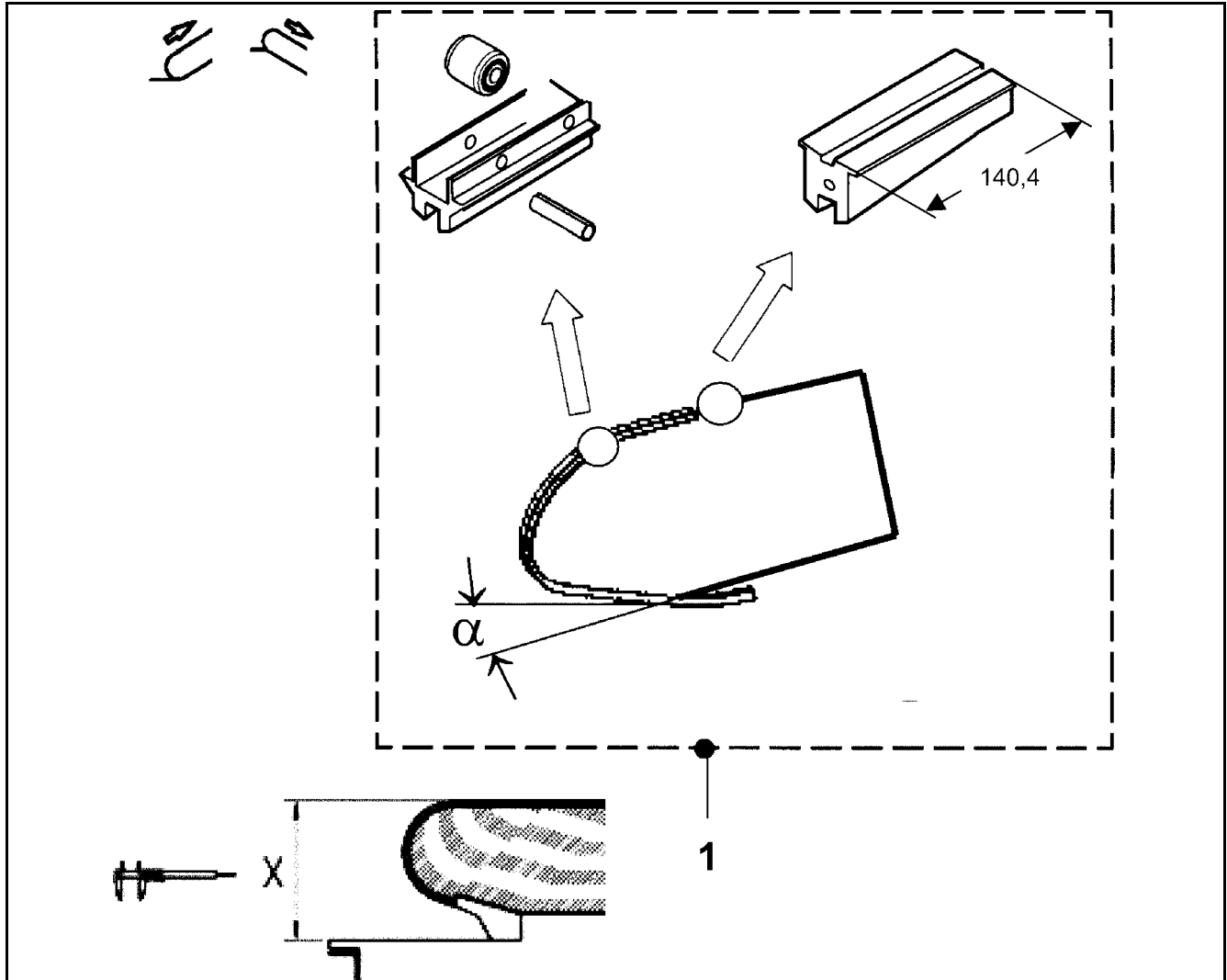
This document lists the lowest replaceable units (LRUs) for the standard version of the product. The LRUs are chosen by a team of Otis associates representing engineering and manufacturing.

While goal of this document is to make parts identification as easy as possible, the document cannot be all-inclusive. Elevator and escalator contracts classified as "special" or "custom" are not addressed here. For such contracts, please refer to specified information, the contract folder, TIPs, Field Education Articles, Construction Letters, etc. for further information.

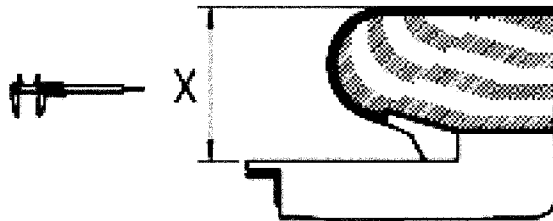
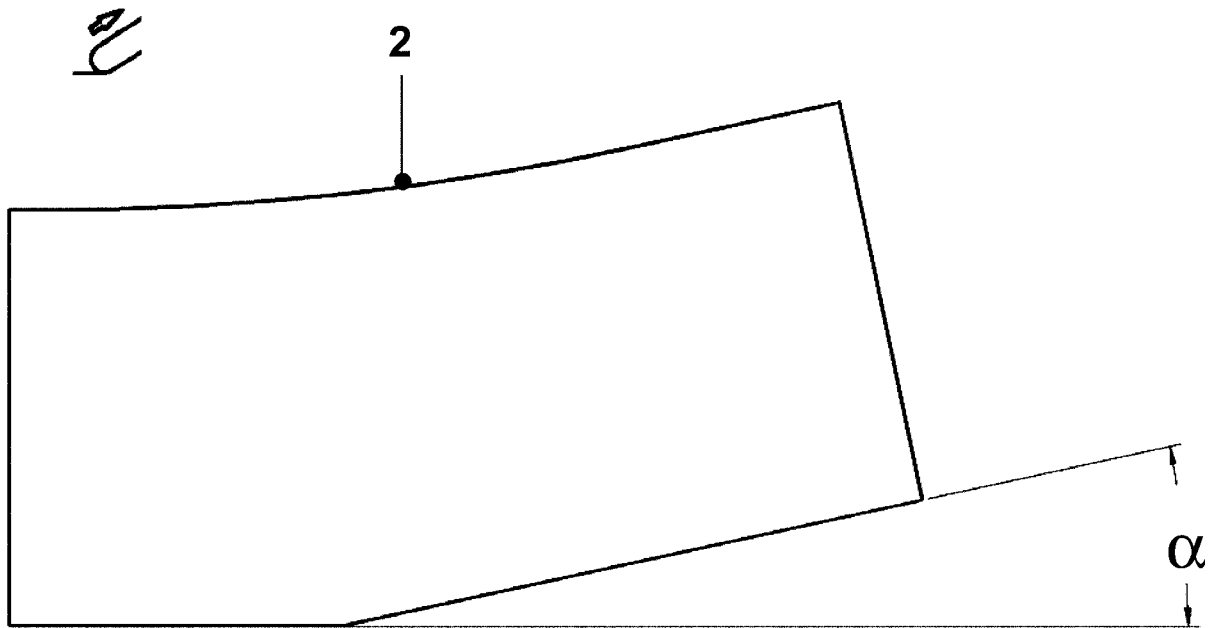
If you have any suggestions about this document, please contact the subject matter expert listed on this page.

# Glass Panel 606NCT Inclined

**57-GAA26427C**



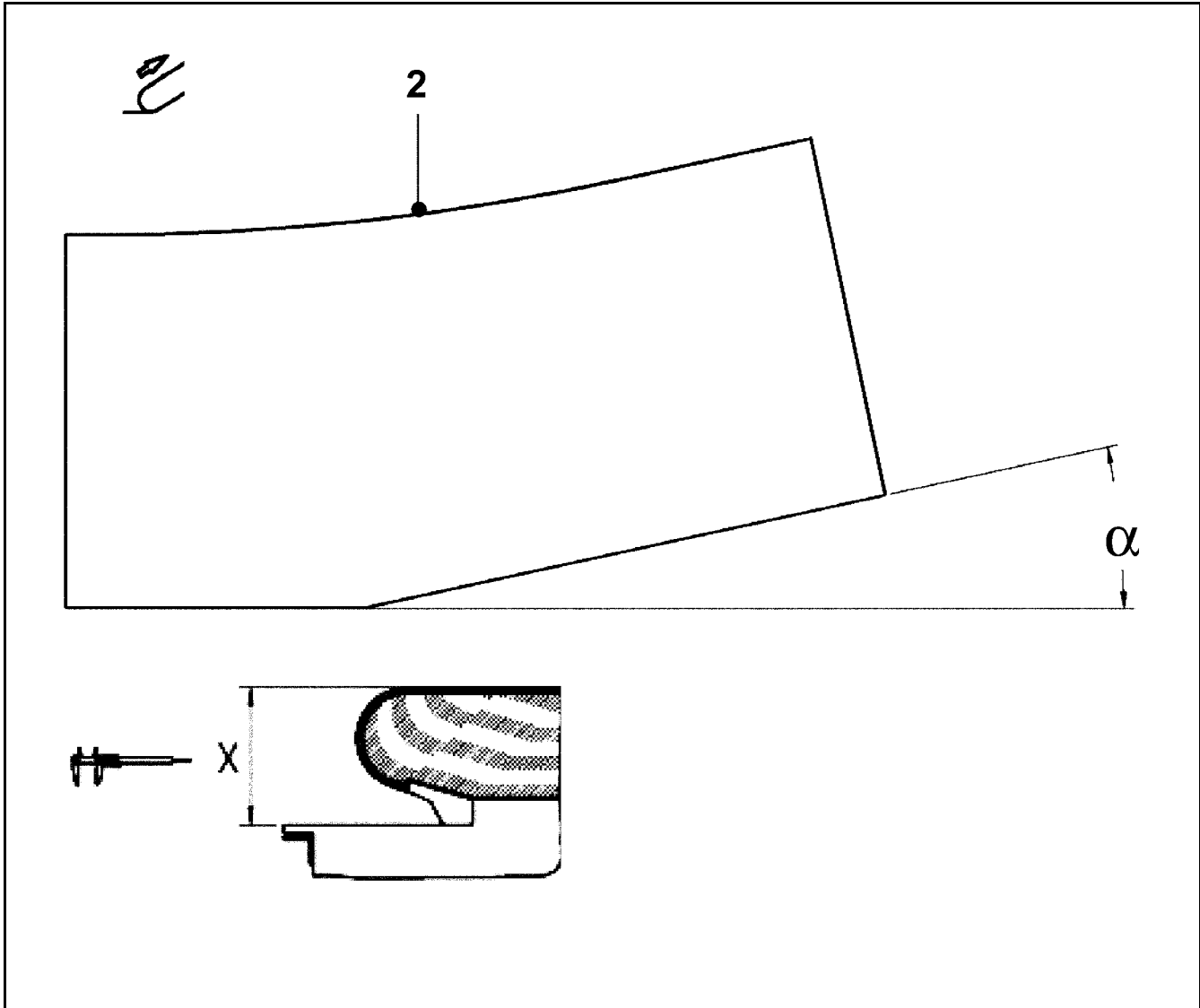
| VINTAGE  |                                   |      |                            |                 |
|----------|-----------------------------------|------|----------------------------|-----------------|
| REF. No. | PART No.                          | X    | DESCRIPTION                |                 |
| 1        | GAA-/GBA2215AW236<br>GCA2215AW236 | 930  | Clear                      | (GAA434DH1-4)   |
|          | GAA-/GBA2215AW237<br>GCA2215AW237 |      | Smoked                     |                 |
|          | GAA-/GBA2215AW238<br>GCA2215AW238 |      | Green                      |                 |
|          | GAA-/GBA2215AW239<br>GCA2215AW239 |      | Bronze                     |                 |
|          | GCA2215AW430                      | 1000 | Clear                      | (GAA434DH13-16) |
|          | GCA2215AW431                      |      | Smoked                     |                 |
|          | GCA2215AW432                      |      | Green                      |                 |
|          | GCA2215AW433                      |      | Bronze                     |                 |
|          |                                   |      | <b>ASME A17.1-1996/B44</b> |                 |



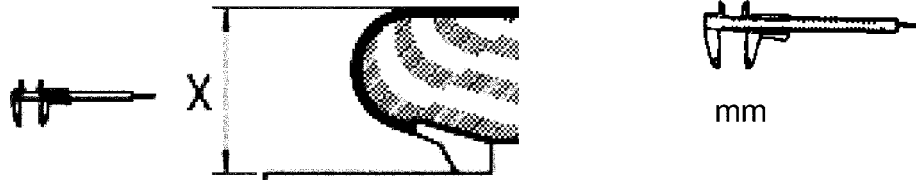
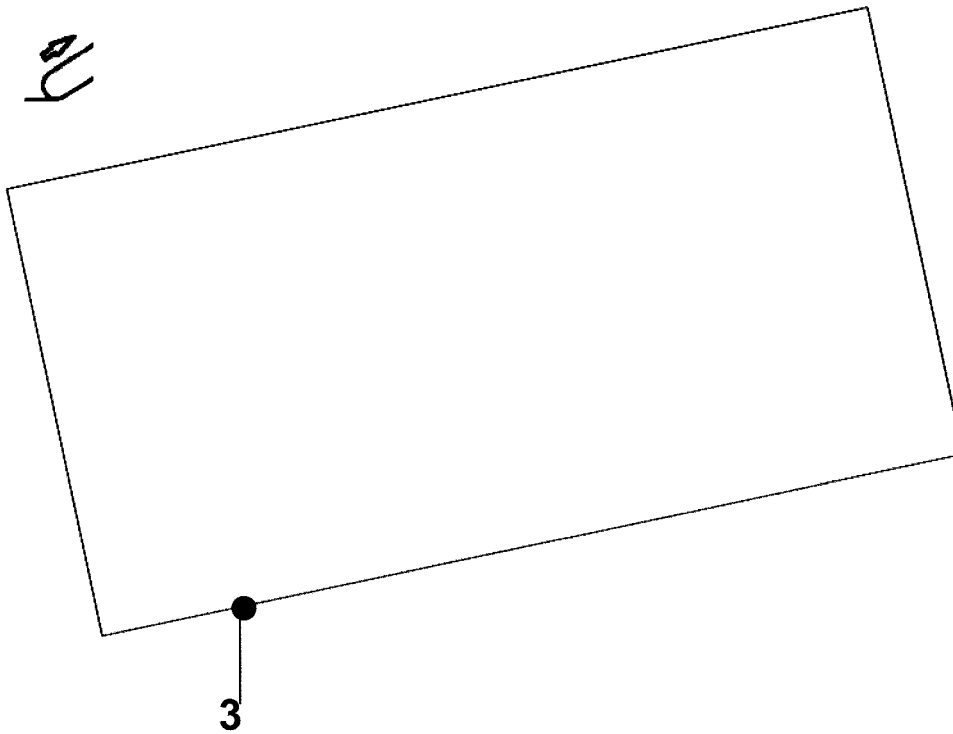
| <b>VINTAGE</b>  |                 |          |                     |
|-----------------|-----------------|----------|---------------------|
| <b>REF. No.</b> | <b>PART No.</b> | <b>X</b> | <b>DESCRIPTION</b>  |
| 2               | GAA434DG1       | 930      | Clear               |
|                 | GAA434DG2       |          | Smoked              |
|                 | GAA434DG3       |          | Green               |
|                 | GAA434DG4       |          | Bronze              |
|                 | GAA434DG5       |          | Clear               |
|                 | GAA434DG6       |          | Smoked              |
|                 | GAA434DG7       |          | Green               |
|                 | GAA434DG8       |          | Bronze              |
|                 |                 |          | $\alpha = 12^\circ$ |
|                 |                 |          | $\alpha = 10^\circ$ |

# Glass Panel 606NCT Inclined

**57-GAA26427C**



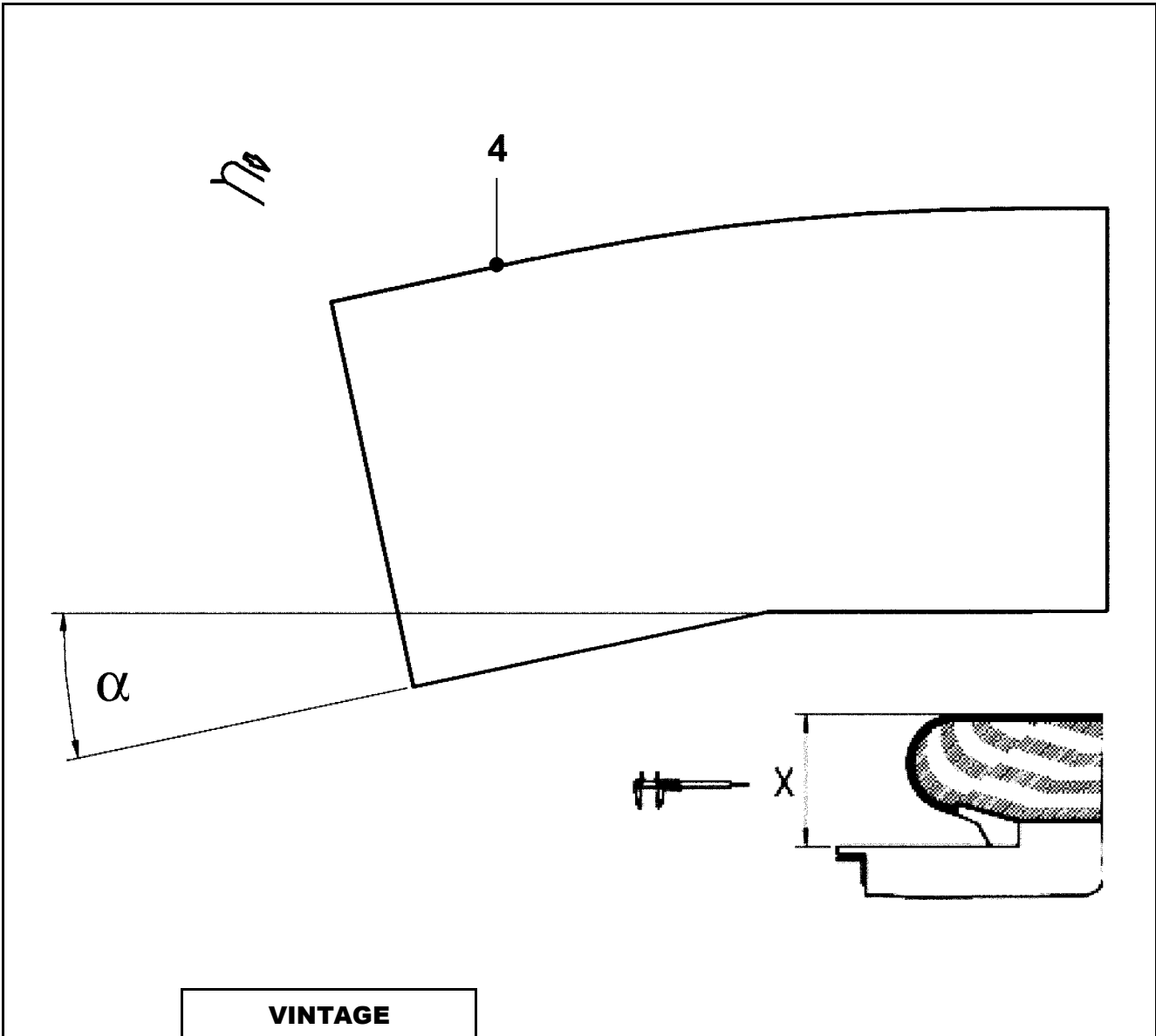
| VINTAGE  |            |      |  |
|----------|------------|------|--|
| REF. No. | PART No.   | X    | DESCRIPTION  |
| 2        | GAA434DG9  | 1000 | Clear  |
|          | GAA434DG10 |      | Smoked   |
|          | GAA434DG11 |      | Green  |
|          | GAA434DG12 |      | Bronze   |
|          | GAA434DG13 |      | Clear  |
|          | GAA434DG14 |      | Smoked   |
|          | GAA434DG15 |      | Green  |
|          | GAA434DG16 |      | Bronze   |
|          |            |      | $\alpha = 12^\circ$<br><b>ASME A17.1-</b><br><b>1996/B44</b> |
|          |            |      | $\alpha = 10^\circ$<br><b>ASME A17.1-</b><br><b>1996/B44</b> |



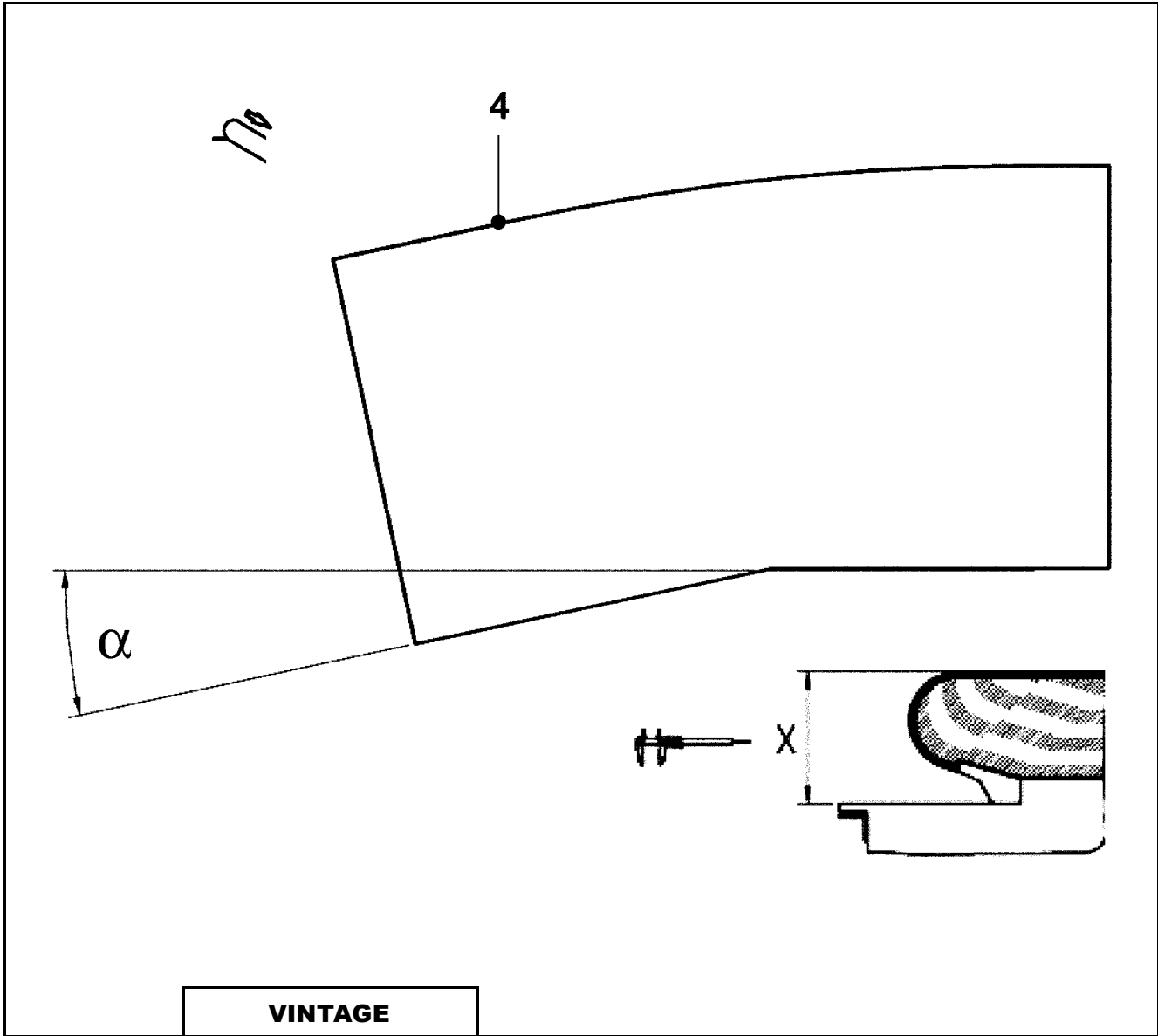
| <b>VINTAGE</b>  |                 |          |                            |
|-----------------|-----------------|----------|----------------------------|
| <b>REF. No.</b> | <b>PART No.</b> | <b>X</b> | <b>DESCRIPTION</b>         |
| 3               | GAA434DN-V1     | 930      | Clear                      |
|                 | GAA434DN-V2     |          | Smoked                     |
|                 | GAA434DN-V3     |          | Green                      |
|                 | GAA434DN-V4     |          | Bronze                     |
|                 | GAA434DN-V17    | 1000     | Clear                      |
|                 | GAA434DN-V18    |          | Smoked                     |
|                 | GAA434DN-V19    |          | Green                      |
|                 | GAA434DN-V20    |          | Bronze                     |
|                 |                 |          | ---                        |
|                 |                 |          | <b>ASME A17.1-1996/B44</b> |

# Glass Panel 606NCT Inclined

**57-GAA26427C**



| VINTAGE  |           | X   | DESCRIPTION |                     |
|----------|-----------|-----|-------------|---------------------|
| REF. No. | PART No.  |     |             |                     |
| 4        | GAA434DF1 | 930 | Clear       | $\alpha = 12^\circ$ |
|          | GAA434DF2 |     | Smoked      |                     |
|          | GAA434DF3 |     | Green       |                     |
|          | GAA434DF4 |     | Bronze      |                     |
|          | GAA434DF5 |     | Clear       | $\alpha = 10^\circ$ |
|          | GAA434DF6 |     | Smoked      |                     |
|          | GAA434DF7 |     | Green       |                     |
|          | GAA434DF8 |     | Bronze      |                     |





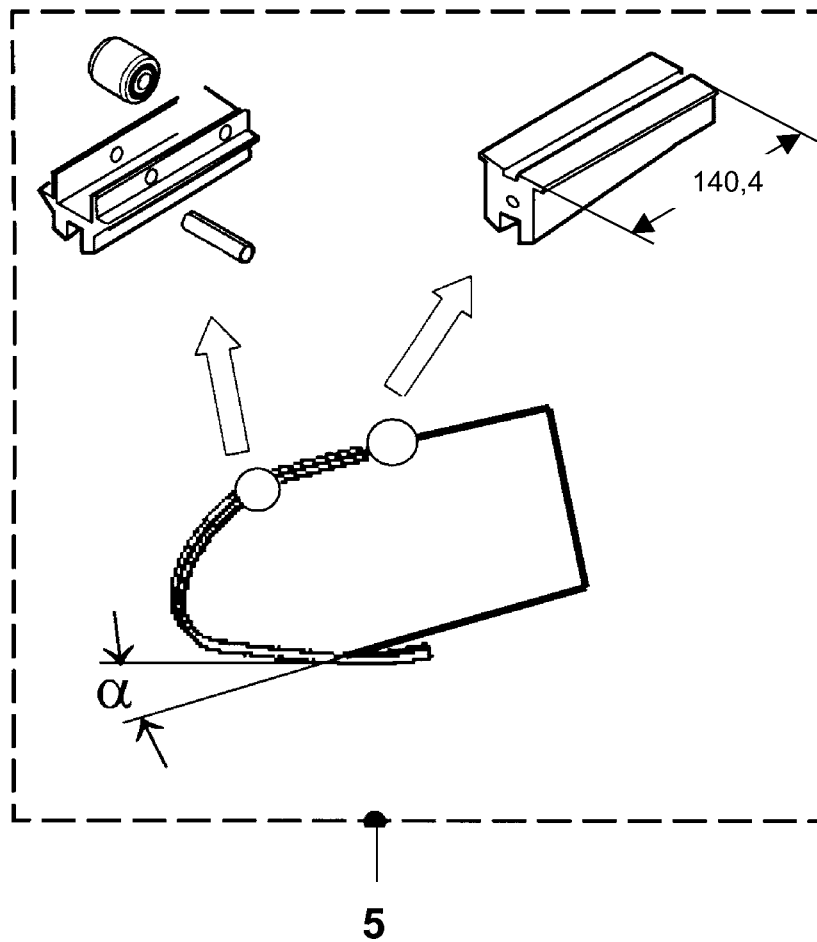
| REF. No. | VINTAGE    |      | X     | DESCRIPTION                                    |        |
|----------|------------|------|-------|--|--------|
|          | PART No.   |      |       |  |        |
| 4        | GAA434DF9  | 1000 | Clear | $\alpha = 12^\circ$<br>ASME A17.1-<br>1996/B44 |        |
|          | GAA434DF10 |      |       |  | Smoked |
|          | GAA434DF11 |      |       |  | Green  |
|          | GAA434DF12 |      |       |  | Bronze |
|          | GAA434DF13 |      | Clear | $\alpha = 10^\circ$<br>ASME A17.1-<br>1996/B44 |        |
|          | GAA434DF14 |      |       |  | Smoked |
|          | GAA434DF15 |      |       |  | Green  |
|          | GAA434DF16 |      |       |  | Bronze |



# Glass Panel 606NCT Inclined

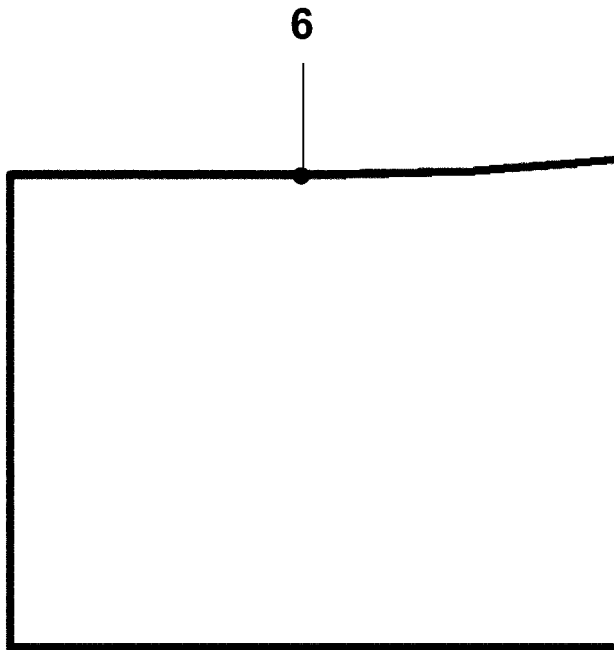
**57-GAA26427C**

CODE: SAA   **only for replacement !**  
 ● → 01.1998



| REF. No. | VINTAGE PART No.             | DESCRIPTION         |
|----------|------------------------------|---------------------|
| 5        | GAA2215AW338<br>GCA2215AW338 | Glass Panel, Clear  |
|          | GAA2215AW339<br>GCA2215AW339 | Glass Panel, Smoked |
|          | GAA2215AW340<br>GCA2215AW340 | Glass Panel, Green  |
|          | GAA2215AW341<br>GCA2215AW341 | Glass Panel, Bronze |
|          |                              | (GAA434DH9-12)      |

CODE: SAA   
only for replacement !  
 ● → 01.1998

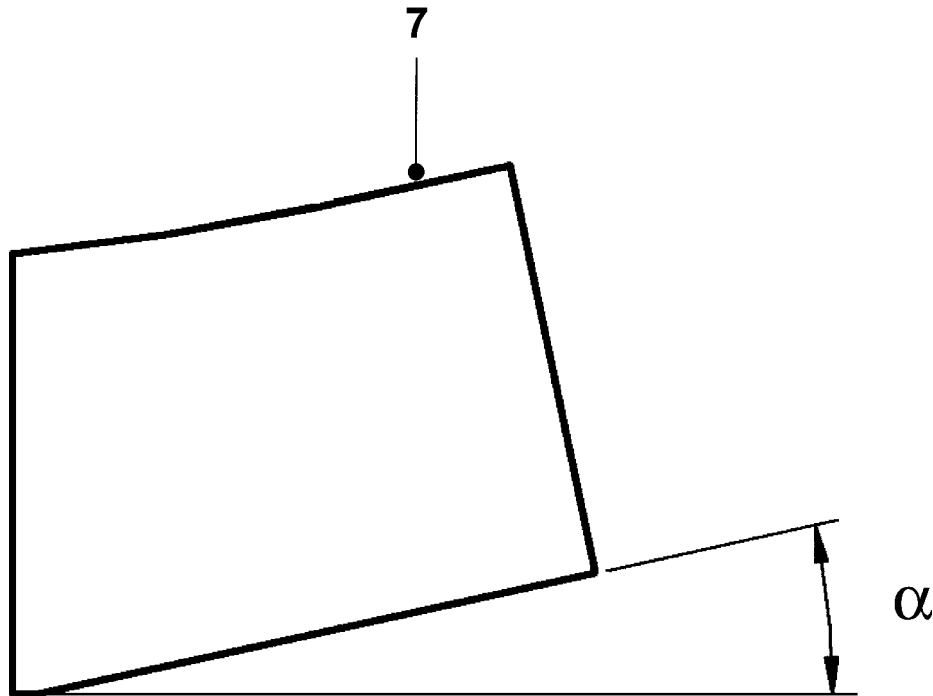


|          | VINTAGE   |                     |                     |
|----------|-----------|---------------------|---------------------|
| REF. No. | PART No.  | DESCRIPTION         |                     |
| 6        | GAA434EK1 | Glass Panel, Clear  | $\alpha = 12^\circ$ |
|          | GAA434EK2 | Glass Panel, Smoked |                     |
|          | GAA434EK3 | Glass Panel, Green  |                     |
|          | GAA434EK4 | Glass Panel, Bronze |                     |
|          | GAA434EK5 | Glass Panel, Clear  | $\alpha = 10^\circ$ |
|          | GAA434EK6 | Glass Panel, Smoked |                     |
|          | GAA434EK7 | Glass Panel, Green  |                     |
|          | GAA434EK8 | Glass Panel, Bronze |                     |

# Glass Panel 606NCT Inclined

**57-GAA26427C**

CODE: SAA   
only for replacement !  
 ● → 01.1998

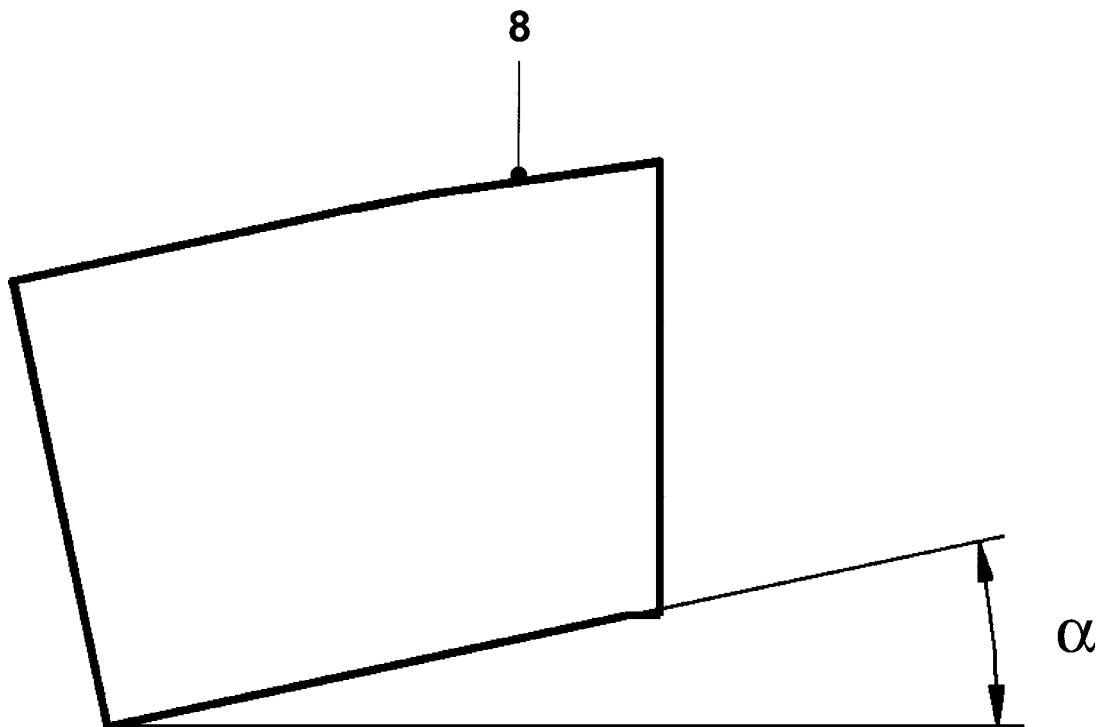


|          | VINTAGE   |                     |                     |
|----------|-----------|---------------------|---------------------|
| REF. No. | PART No.  | DESCRIPTION         |                     |
| 7        | GAA434EL1 | Glass Panel, Clear  | $\alpha = 12^\circ$ |
|          | GAA434EL2 | Glass Panel, Smoked |                     |
|          | GAA434EL3 | Glass Panel, Green  |                     |
|          | GAA434EL4 | Glass Panel, Bronze |                     |
|          | GAA434EL5 | Glass Panel, Clear  | $\alpha = 10^\circ$ |
|          | GAA434EL6 | Glass Panel, Smoked |                     |
|          | GAA434EL7 | Glass Panel, Green  |                     |
|          | GAA434EL8 | Glass Panel, Bronze |                     |

CODE: SAA *na*

**only for replacement !**

● → 01.1998

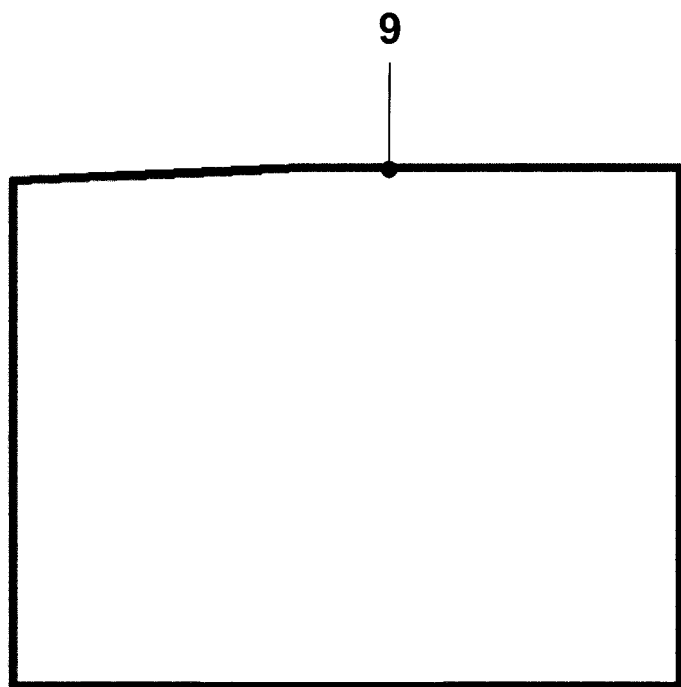


| REF. No. | VINTAGE | PART No.  | DESCRIPTION         |                     |
|----------|---------|-----------|---------------------|---------------------|
| 8        |         | GAA434EN1 | Glass Panel, Clear  | $\alpha = 12^\circ$ |
|          |         | GAA434EN2 | Glass Panel, Smoked |                     |
|          |         | GAA434EN3 | Glass Panel, Green  |                     |
|          |         | GAA434EN4 | Glass Panel, Bronze |                     |
|          |         | GAA434EN5 | Glass Panel, Clear  | $\alpha = 10^\circ$ |
|          |         | GAA434EN6 | Glass Panel, Smoked |                     |
|          |         | GAA434EN7 | Glass Panel, Green  |                     |
|          |         | GAA434EN8 | Glass Panel, Bronze |                     |

# Glass Panel 606NCT Inclined

**57-GAA26427C**

CODE: SAA *na*  
only for replacement !  
 ● → 01.1998



|          | VINTAGE   |                     |                     |
|----------|-----------|---------------------|---------------------|
| REF. No. | PART No.  | DESCRIPTION         |                     |
| 9        | GAA434EM1 | Glass Panel, Clear  | $\alpha = 12^\circ$ |
|          | GAA434EM2 | Glass Panel, Smoked |                     |
|          | GAA434EM3 | Glass Panel, Green  |                     |
|          | GAA434EM4 | Glass Panel, Bronze |                     |
|          | GAA434EM5 | Glass Panel, Clear  | $\alpha = 10^\circ$ |
|          | GAA434EM6 | Glass Panel, Smoked |                     |
|          | GAA434EM7 | Glass Panel, Green  |                     |
|          | GAA434EM8 | Glass Panel, Bronze |                     |