


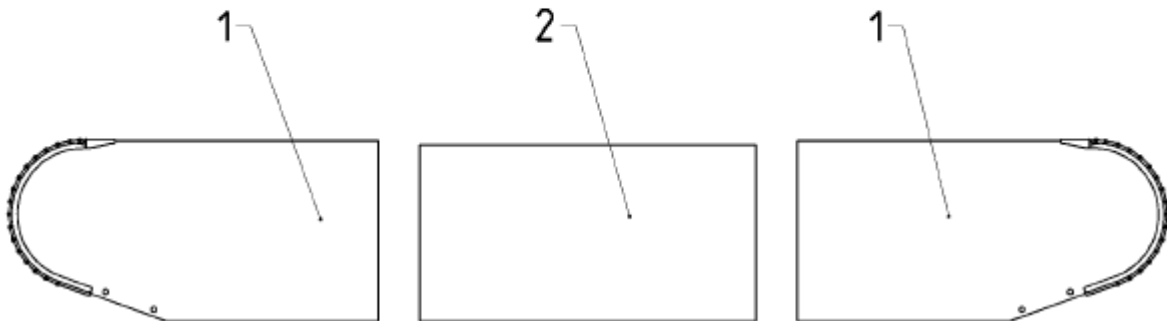
**Balustrade Glass Panel
606 NCT Horizontal**

Spare Parts Leaflet

57-GAA26427D

April 1, 2004 / Page 1 of 4

Newelroller  GO456AY



Leaflet Description

Valid for 606 NCT Type Horizontal only, dimension of transition piece = 140,4 mm. This dimension has to be checked. (Transition piece: part between newel and handrail guide in the landings).

For new balustrade height acc. To ASME 17.1 – 2000/B44 and EN115 see 57-GAA26427Q, dimension of transition piece = 60 mm.

For 606 NCT Type Compact see 57-GAA26427A

For 606 NCT Type Inclined see 57-GAA26427C

Leaflet Revisions

Date Revised	Subject Matter Expert	Reason for Revision
April 1, 2004	Margarete Solback	New SPL

Related Drawings

Drawing No.	Title	Drawing No.	Title
GAA26427D	Interior Panel, Glass		

Related Documents

Document ID	Title

Subject Matter Expert

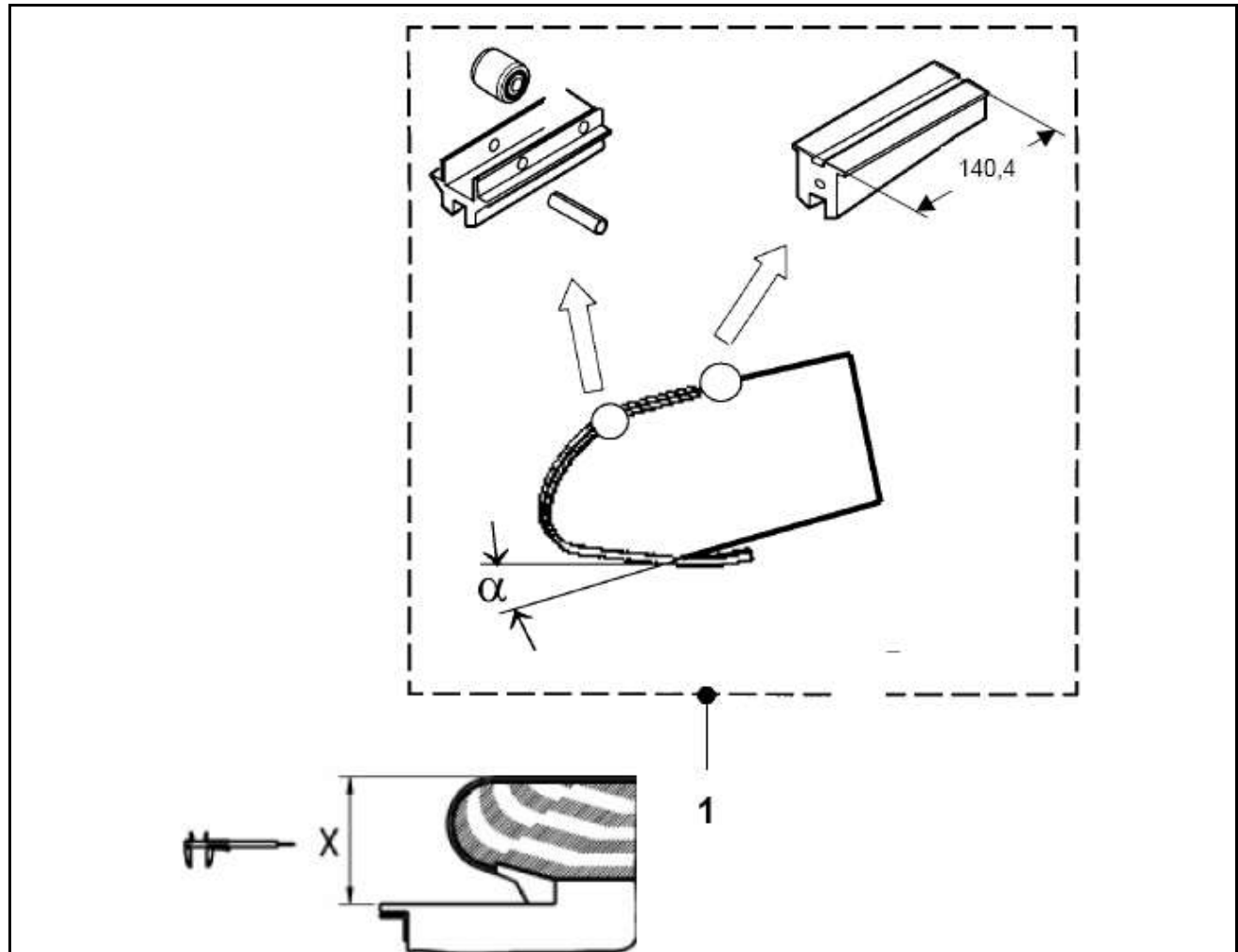
Name	Department
Margarete Solbach	SIT – Stadthagen, Germany

About Spare Parts Leaflets...

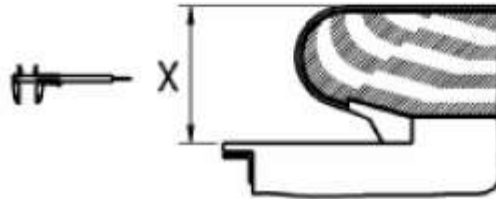
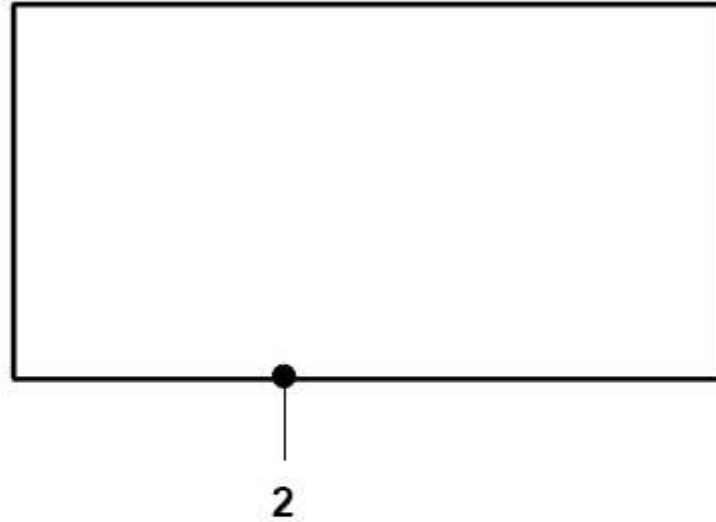
This document lists the lowest replaceable units (LRUs) for the standard version of the product. The LRUs are chosen by a team of Otis associates representing engineering and manufacturing.

While goal of this document is to make parts identification as easy as possible, the document cannot be all-inclusive. Elevator and escalator contracts classified as “special” or “custom” are not addressed here. For such contracts, please refer to specified information, the contract folder, TIPs, Field Education Articles, Construction Letters, etc. for further information.

If you have any suggestions about this document, please contact the subject matter expert listed on this page.



VINTAGE				
REF. No.	PART No.	X	DESCRIPTION	
1	GAA2215AW236	930	clear	(GAA434DH1-4)
	GBA2215AW236		smoked	
	GCA2215AW236		green	
	GAA2215AW237		bronze	
	GBA2215AW237			
	GCA2215AW237			
	GAA2215AW238	1000	clear	ASME A17.1 – 1996/B44 (GAA434DH13-16)
	GBA2215AW238		smoked	
	GCA2215AW238		green	
	GAA2215AW239		bronze	
	GBA2215AW239			
	GCA2215AW239			
GCA2215AW430		clear		
GCA2215AW431		smoked		
GCA2215AW432		green		
GCA2215AW433		bronze		



VINTAGE				
REF. No.	PART No.	X	DESCRIPTION	
2	GAA434DN-V5	930	clear	
	GAA434DN-V6		smoked	
	GAA434DN-V7		green	
	GAA434DN-V8		bronze	
	GAA434DN-V21	1000	clear	ASME A17.1 - 1996/B44
	GAA434DN-V22		smoked	
	GAA434DN-V23		green	
	GAA434DN-V24		bronze	