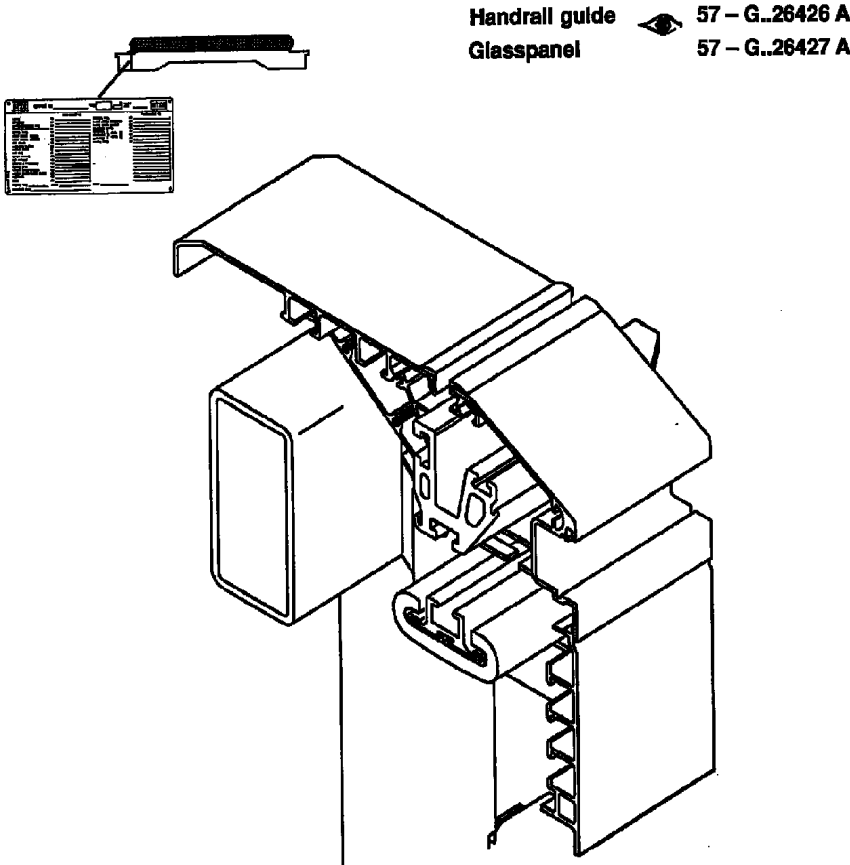


SPL 57-GAA26428A - Trav-O-Lator 606 Balustrade Alu / St. St.

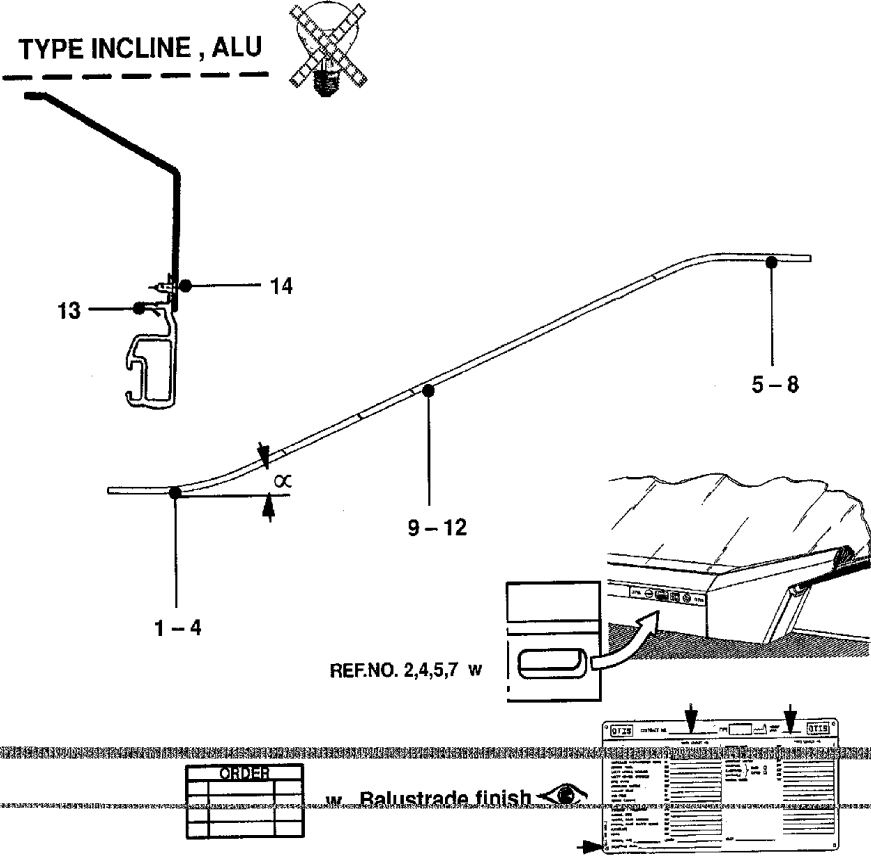
Unpublished Work - © Otis Elevator Company. Any unauthorized reproduction, disclosure, or distribution of copies or content by any person of any portion of this work may be a violation of Copyright Law of the United States of America. All rights reserved.

April 1998

Page 1



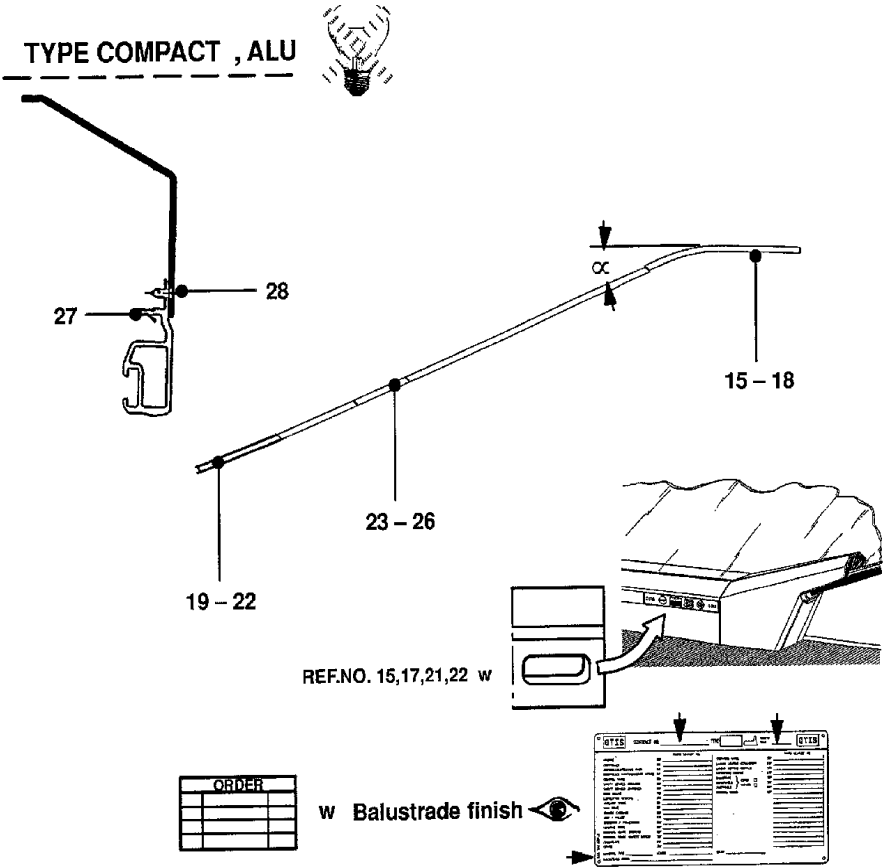
Page 2 - Trav-O-Lator 606 NCT Balustrade



SPL 57-GAA26428A - Trav-O-Lator 606 NCT Balustrade Alu / St. St.

Page 2 - Trav-O-Lator 606 NCT Balustrade

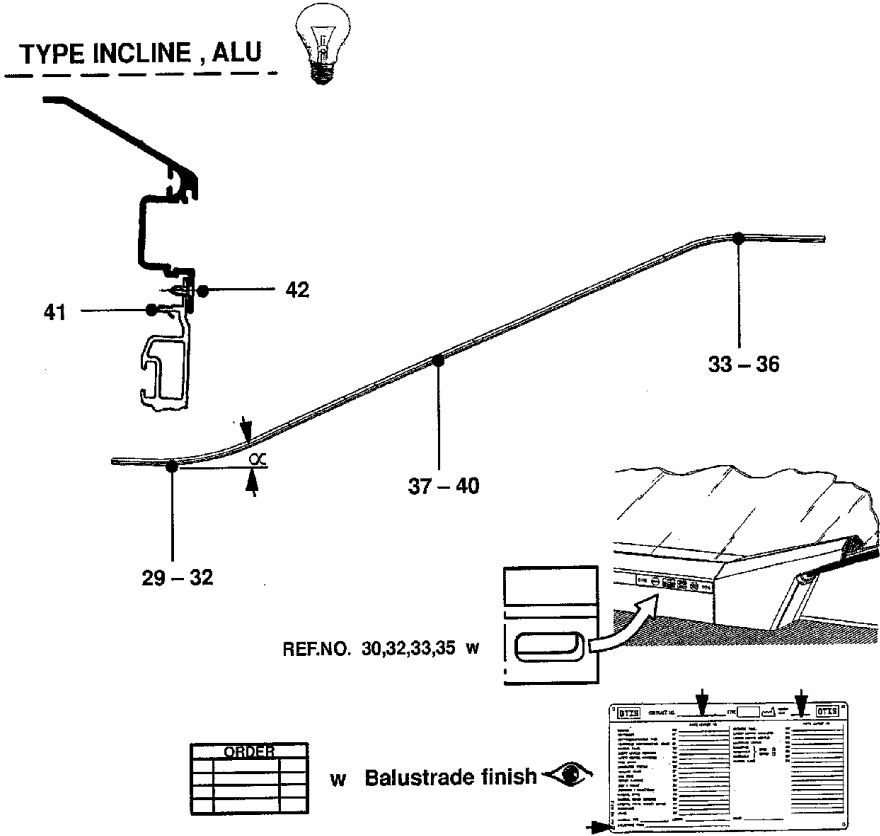
GA26428A		
REF. NO.	PART OR M.L.	DESCRIPTION
1	GAA402BNV1	Interior Molding, Lower Landing, Left Hand, OC = 10 degrees
2	GAA402BNV2	Interior Molding, Lower Landing, Right Hand, OC = 10 degrees
3	GAA402BNV3	Interior Molding, Lower Landing, Left Hand, OC = 12 degrees
4	GAA402BNV4	Interior Molding, Lower Landing, Right Hand, OC = 12 degrees
5	GAA402BNW5	Interior Molding, Upper Landing, Left Hand, OC = 10 degrees
6	GAA402BNW6	Interior Molding, Upper Landing, Right Hand, OC = 10 degrees
7	GAA402BNW7	Interior Molding, Upper Landing, Left Hand, OC = 12 degrees
8	GAA402BNW8	Interior Molding, Upper Landing, Right Hand, OC = 12 degrees
9	GAA402BLF1	Interior Molding, L = 5920 mm
10	GAA402BLF3	Interior Molding, L = 2960 mm
11	GAA402BLF5	Interior Molding, L = 1960 mm
12	GAA402BLF-V1	Interior Molding (cut on jobsite)
13	GBA72BV1	Angle Nut
14	---	Countersunk Head Tapping Screw, B4.2 x 13, DIN 7982 (196964)



**SPL 57-GAA26428A - Trav-O-Lator 606 NCT Balustrade Alu / St. St.**

Page 3 - Trav-O-Lator 606 NCT Balustrade

<b>GA26428A</b>		
<b>REF. NO.</b>	<b>PART OR M.L.</b>	<b>DESCRIPTION</b>
15	GAA402BNW1	Interior Molding, Upper Landing, Left Hand, OC = 10 degrees
16	GAA402BNW2	Interior Molding, Upper Landing, Right Hand, OC = 10 degrees
17	GAA402BNW3	Interior Molding, Upper Landing, Left Hand, OC = 12 degrees
18	GAA402BNW4	Interior Molding, Upper Landing, Right Hand, OC = 12 degrees
19	GAA402BPL1	Interior Molding, Lower Landing, OC = 10 degrees
20	GAA402BPL2	Interior Molding, Lower Landing, OC = 12 degrees
21	GAA402BPL3	Interior Molding, Lower Landing, OC = 10 degrees
22	GAA402BPL4	Interior Molding, Lower Landing, OC = 12 degrees
23	GAA402BLF1	Interior Molding, L = 5920 mm
24	GAA402BLF3	Interior Molding, L = 2960 mm
25	GAA402BLF5	Interior Molding, L = 1960 mm
26	GAA402BLF-V1	Interior Molding (cut on jobsite)
27	GBA72BV1	Angle Nut
28	---	Countersunk Head Tapping Screw, B4.2 x 13, DIN 7982 (196964)

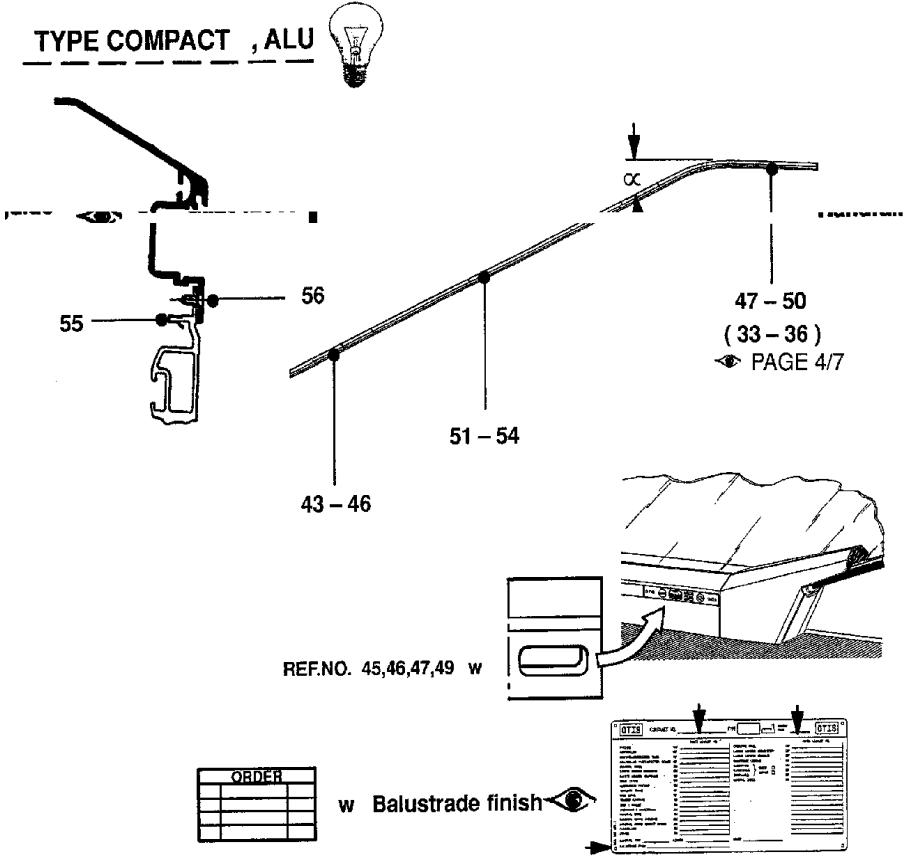


**SPL 57-GAA26428A - Trav-O-Lator 606 NCT Balustrade Alu / St. St.**

Page 4 - Trav-O-Lator 606 NCT Balustrade

GA26428A		
REF. NO.	PART OR M.L.	DESCRIPTION
29	GAA402BNM1	Interior Molding, Lower Landing, Left Hand, OC = 10 degrees
30	GAA402BNM2	Interior Molding, Lower Landing, Right Hand, OC = 10 degrees
31	GAA402BNM3	Interior Molding, Lower Landing, Left Hand, OC = 12 degrees
32	GAA402BNM4	Interior Molding, Lower Landing, Right Hand, OC = 12 degrees
33	GAA402BNN5	Interior Molding, Upper Landing, Left Hand, OC = 10 degrees
34	GAA402BNN6	Interior Molding, Upper Landing, Right Hand, OC = 10 degrees
35	GAA402BNN7	Interior Molding, Upper Landing, Left Hand, OC = 12 degrees
36	GAA402BNN8	Interior Molding, Upper Landing, Right Hand, OC = 12 degrees
37	GAA402BLD1	Interior Molding, L = 2960 mm
38	GAA402BLD2	Interior Molding, L = 1960 mm
39	GAA402BLD3	Interior Molding, L = 2320 mm
40	GAA402BLD-V1	Interior Molding (cut on jobsite)
41	GBA72BV1	Angle Nut
42	---	Countersunk Head Tapping Screw, B4.2 x 13, DIN 7982 (196964)

Page 5 - Trav-O-Lator 606 NCT Balustrade



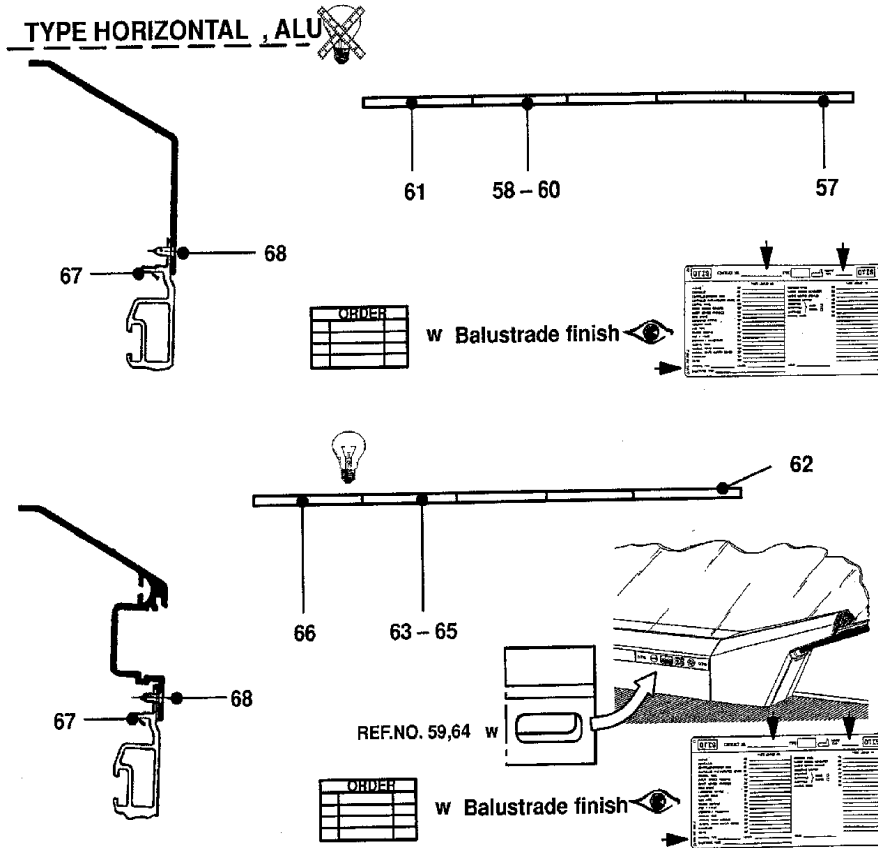


**SPL 57-GAA26428A - Trav-O-Lator 606 NCT Balustrade Alu / St. St.**

Page 5 - Trav-O-Lator 606 NCT Balustrade

GA26428A		
REF. NO.	PART OR M.L.	DESCRIPTION
43	GAA402BPM1	Interior Molding, Lower Landing, Left Hand, OC = 10 degrees
44	GAA402BPM2	Interior Molding, Lower Landing, Left Hand, OC = 12 degrees
45	GAA402BPM3	Interior Molding, Lower Landing, Right Hand, OC = 10 degrees
46	GAA402BPM4	Interior Molding, Lower Landing, Right Hand
47	GAA402BNN1	Interior Molding, Upper Landing, Left Hand, OC = 10 degrees
48	GAA402BNN2	Interior Molding, Upper Landing, Right Hand, OC = 10 degrees
49	GAA402BNN3	Interior Molding, Upper Landing, Left Hand, OC = 12 degrees
50	GAA402BNN4	Interior Molding, Upper Landing, Right Hand, OC = 12 degrees
51	GAA402BLD1	Interior Molding, L = 2960 mm
52	GAA402BLD2	Interior Molding, L = 1960 mm
53	GAA402BLD3	Interior Molding, L = 2320 mm
54	GAA402BLD-V1	Interior Molding (cut on jobsite)
55	GBA72BV1	Angle Nut
56	---	Countersunk Head Tapping Screw, B4.2 x 13, DIN 7982 (196964)

Page 6 - Trav-O-Lator 606 NCT Balustrade

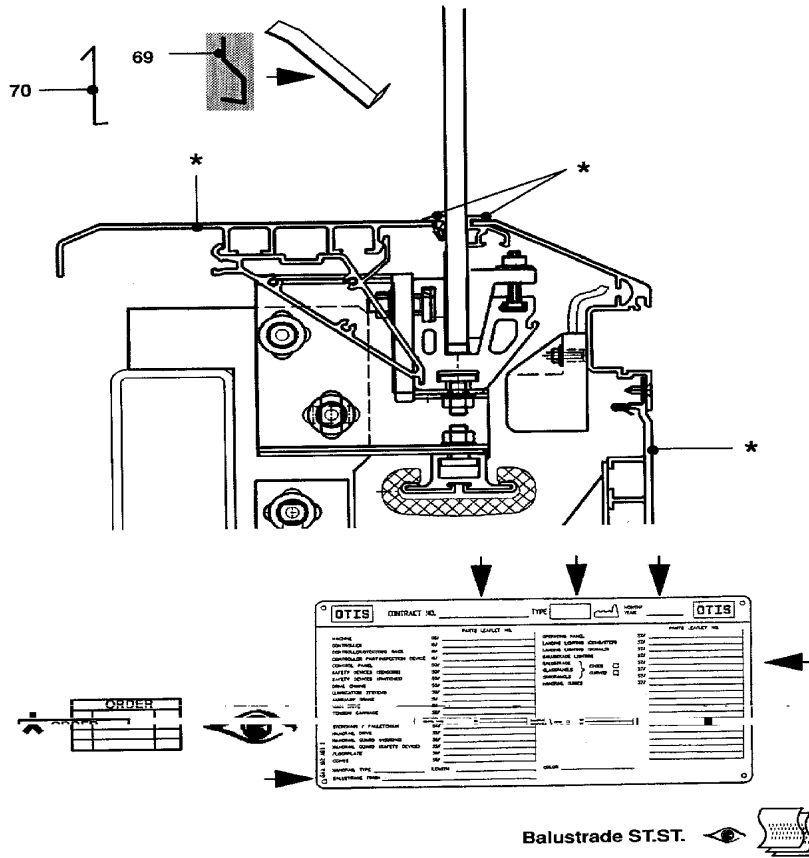


**SPL 57-GAA26428A - Trav-O-Lator 606 NCT Balustrade Alu / St. St.**

**Page 6 - Trav-O-Lator 606 NCT Balustrade**

<b>GAA26428C</b>		
<b>REF. NO.</b>	<b>PART OR M.L.</b>	<b>DESCRIPTION</b>
57	GAA402BPK1	Interior Molding
58	GAA402BLF1	Interior Molding, L = 5920 mm
59	GAA402BLF3	Interior Molding, L = 2960 mm
60	GAA402BLF5	Interior Molding, L = 1960 mm
61	GAA402BLF-V1	Interior Molding (cut on job site)
<b>REF. NO.</b>	<b>PART OR M.L.</b>	<b>DESCRIPTION</b>
62	GAA402BPA1	Interior Molding
63	GAA402BLD1	Interior Molding, L = 2960 mm
64	GAA402BLD2	Interior Molding, L = 1960 mm
65	GAA402BLD3	Interior Molding, L = 2320 mm
66	GAA402BLD-V1	Interior Molding (cut on job site)
67	GBA72BV1	Angle Nut
68	---	Countersunk Head Tapping Screw, B4.2 x 13, DIN 7982 (196964)

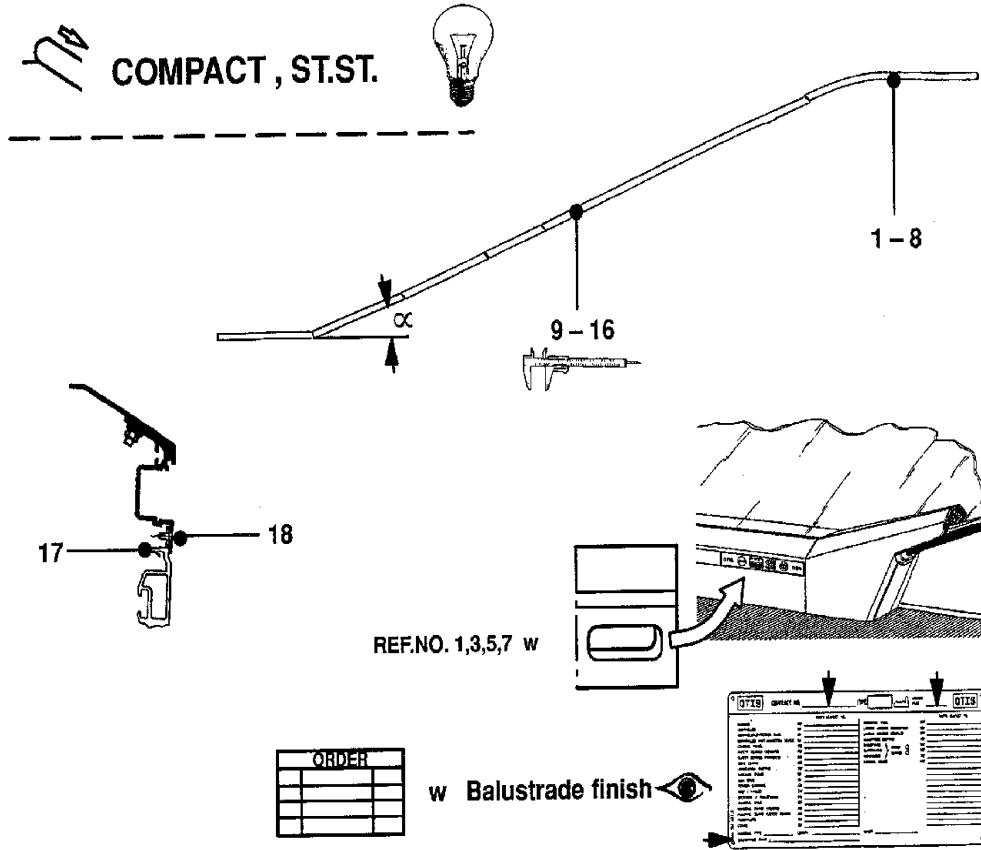
Page 7 - Trav-O-Lator 606 NCT Balustrade



Page 7 - Trav-O-Lator 606 NCT Balustrade

GAA26428A/B/C			
REF. NO.	PART OR M.L.	DESCRIPTION	
69	---	Tool to Clip Out the Outer Decking (WZ5386)	WZ5382
70	---	Hook for Inner Decking with Lighting (to keep in pos. during maintenance)	

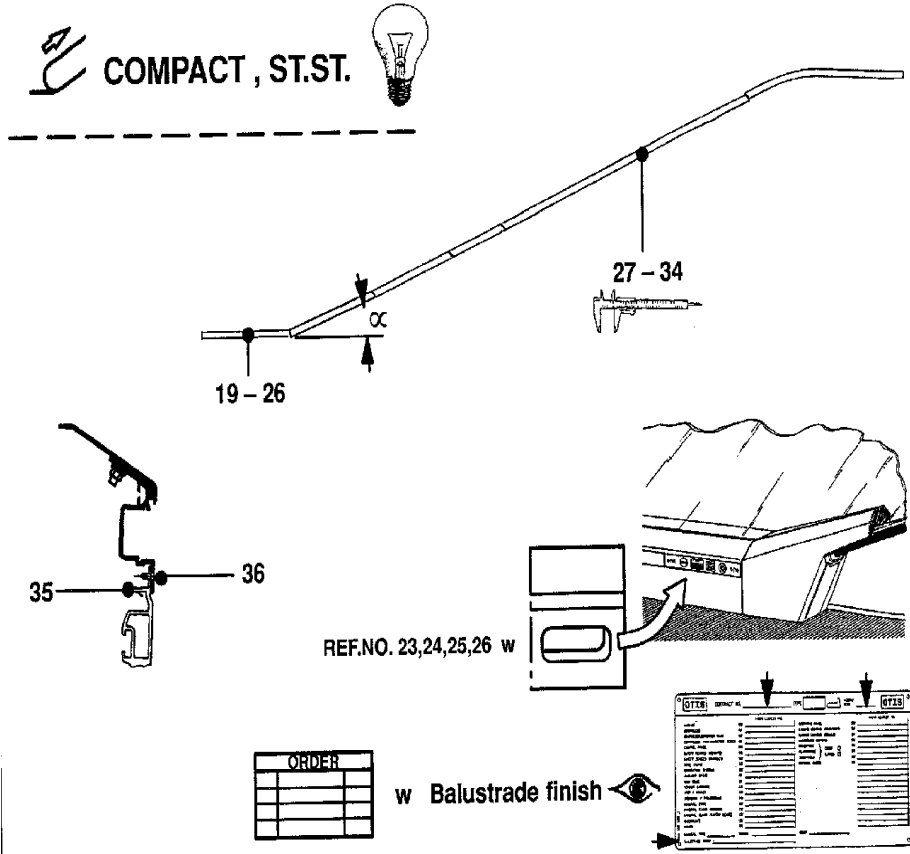
Page 8 - Trav-O-Lator 606 NCT Balustrade



**SPL 57-GAA26428A - Trav-O-Lator 606 NCT Balustrade Alu / St. St.**

Page 8 - Trav-O-Lator 606 NCT Balustrade

<b>REF. NO.</b>	<b>PART OR M.L.</b>	<b>DESCRIPTION</b>
1	GAA402BVG1	Interior Molding, G2 Balustrade Finish, Left Hand, OC = 10 degrees
2	GAA402BVG2	Interior Molding, G2 Balustrade Finish, Right Hand, OC = 10 degrees
3	GAA402BVG3	Interior Molding, G10 Balustrade Finish, Left Hand, OC = 10 degrees
4	GAA402BVG4	Interior Molding, G10 Balustrade Finish, Right Hand, OC = 10 degrees
5	GAA402BVG5	Interior Molding, G2 Balustrade Finish, Left Hand, OC = 12 degrees
6	GAA402BVG6	Interior Molding, G2 Balustrade Finish, Right Hand, OC = 12 degrees
7	GAA402BVG7	Interior Molding, G10 Balustrade Finish, Left Hand, OC = 12 degrees
8	GAA402BVG8	Interior Molding, G10 Balustrade Finish, Right Hand, OC = 12 degrees
9	GAA402BLC1	Interior Molding, G2 Balustrade Finish, L = 2960 mm
10	GAA402BLC2	Interior Molding, G2 Balustrade Finish, L = 1960 mm
11	GAA402BLC3	Interior Molding, G2 Balustrade Finish, L = 2320 mm
12	GAA402BLC-V1	Interior Molding, G2 Balustrade Finish, (cut on jobsite)
13	GAA402BLC4	Interior Molding, G10 Balustrade Finish, L = 2960 mm
14	GAA402BLC5	Interior Molding, G10 Balustrade Finish, L = 1960 mm
15	GAA402BLC6	Interior Molding, G10 Balustrade Finish, L = 2320 mm
16	GAA402BLC-V2	Interior Molding, G10 Balustrade Finish (cut on jobsite)
17	GBA72BV1	Angle Nut
18	---	Countersunk Head Tapping Screw, B4.2 x 13, DIN 7982 (196964)



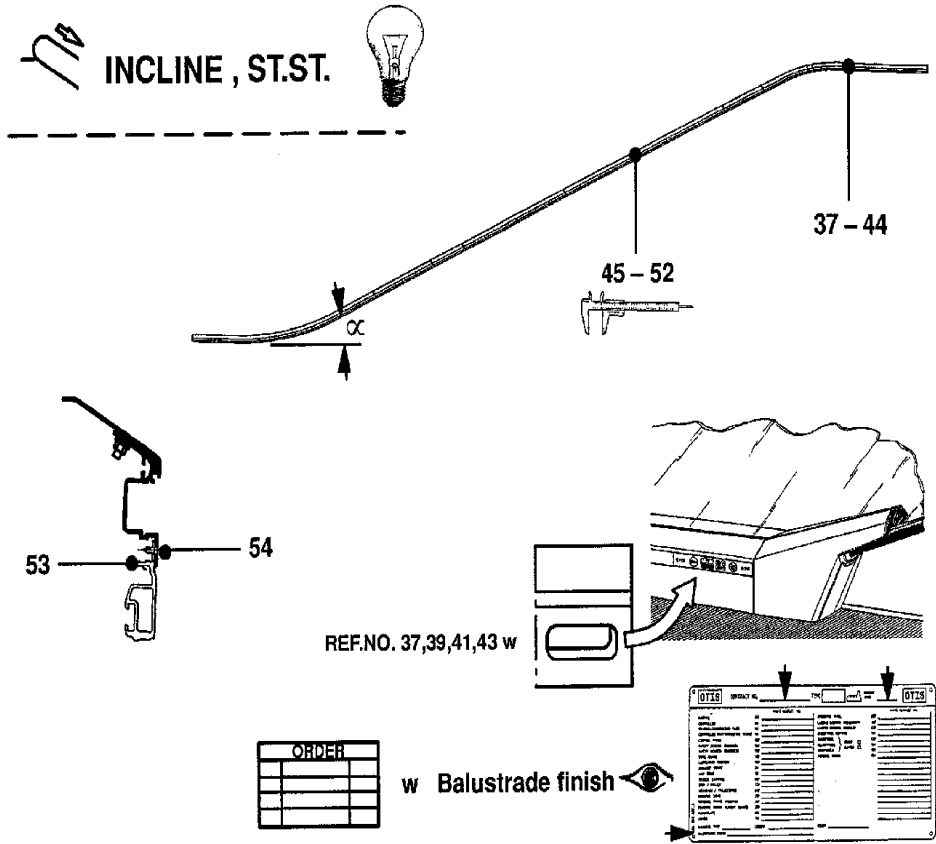
**SPL 57-GAA26428A - Trav-O-Lator 606 NCT Balustrade Alu / St. St.**

Page 9 - Trav-O-Lator 606 NCT Balustrade

<b>REF. NO.</b>	<b>PART OR M.L.</b>	<b>DESCRIPTION</b>
19	GAA402BVW1	Interior Molding, G2 Balustrade Finish, OC = 10 degrees
20	GAA402BVW2	Interior Molding, G2 Balustrade Finish, OC = 12 degrees
21	GAA402BVW3	Interior Molding, G10 Balustrade Finish, OC = 10 degrees
22	GAA402BVW4	Interior Molding, G10 Balustrade Finish, OC = 12 degrees
23	GAA402BVW5	Interior Molding, G2 Balustrade Finish, OC = 10 degrees
24	GAA402BVW6	Interior Molding, G2 Balustrade Finish, OC = 12 degrees
25	GAA402BVW7	Interior Molding, G10 Balustrade Finish, OC = 10 degrees
26	GAA402BVW8	Interior Molding, G10 Balustrade Finish, OC = 12 degrees
27	GAA402BLC1	Interior Molding, G2 Balustrade Finish, L = 2960 mm
28	GAA402BLC2	Interior Molding, G2 Balustrade Finish, L = 1960 mm
29	GAA402BLC3	Interior Molding, G2 Balustrade Finish, L = 2320 mm
30	GAA402BLC-V1	Interior Molding, G2 Balustrade Finish, (cut on jobsite)
31	GAA402BLC4	Interior Molding, G10 Balustrade Finish, L = 2960 mm
32	GAA402BLC5	Interior Molding, G10 Balustrade Finish, L = 1960 mm
33	GAA402BLC6	Interior Molding, G10 Balustrade Finish, L = 2320 mm
34	GAA402BLC-V2	Interior Molding, G10 Balustrade Finish (cut on jobsite)
35	GBA72BV1	Angle Nut
36	---	Countersunk Head Tapping Screw, B4.2 x 13, DIN 7982 (196964)



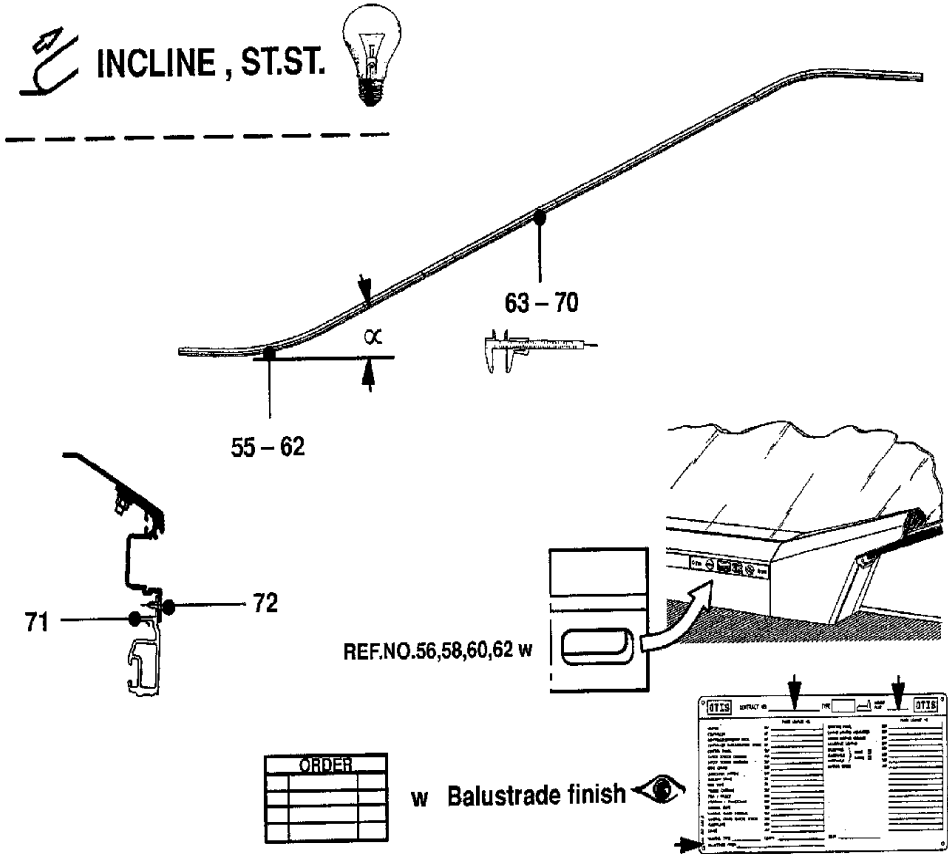
Page 10 - Trav-O-Lator 606 NCT Balustrade



**SPL 57-GAA26428A - Trav-O-Lator 606 NCT Balustrade Alu / St. St.**

Page 10 - Trav-O-Lator 606 NCT Balustrade

<b>REF. NO.</b>	<b>PART OR M.L.</b>	<b>DESCRIPTION</b>
37	GAA402BVG9	Interior Molding, G2 Balustrade Finish, Left Hand, OC = 10 degrees
38	GAA402BVG10	Interior Molding, G2 Balustrade Finish, Right Hand, OC = 10 degrees
39	GAA402BVG11	Interior Molding, G10 Balustrade Finish, Left Hand, OC = 10 degrees
40	GAA402BVG12	Interior Molding, G10 Balustrade Finish, Right Hand, OC = 10 degrees
41	GAA402BVG13	Interior Molding, G2 Balustrade Finish, Left Hand, OC = 12 degrees
42	GAA402BVG14	Interior Molding, G2 Balustrade Finish, Right Hand, OC = 12 degrees
43	GAA402BVG15	Interior Molding, G10 Balustrade Finish, Left Hand, OC = 12 degrees
44	GAA402BVG16	Interior Molding, G10 Balustrade Finish, Right Hand, OC = 12 degrees
45	GAA402BLC1	Interior Molding, G2 Balustrade Finish, L = 2960 mm
46	GAA402BLC2	Interior Molding, G2 Balustrade Finish, L = 1960 mm
47	GAA402BLC3	Interior Molding, G2 Balustrade Finish, L = 2320 mm
48	GAA402BLC-V1	Interior Molding, G2 Balustrade Finish, (cut on jobsite)
49	GAA402BLC4	Interior Molding, G10 Balustrade Finish, L = 2960 mm
50	GAA402BLC5	Interior Molding, G10 Balustrade Finish, L = 1960 mm
51	GAA402BLC6	Interior Molding, G10 Balustrade Finish, L = 2320 mm
52	GAA402BLC-V2	Interior Molding, G10 Balustrade Finish (cut on jobsite)
53	GBA72BV1	Angle Nut
54	---	Countersunk Head Tapping Screw, B4.2 x 13, DIN 7982 (196964)

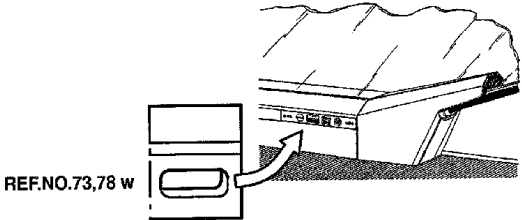
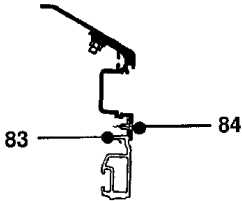
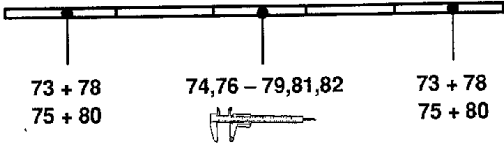


**SPL 57-GAA26428A - Trav-O-Lator 606 NCT Balustrade Alu / St. St.**

Page 11 - Trav-O-Lator 606 NCT Balustrade

<b>REF. NO.</b>	<b>PART OR M.L.</b>	<b>DESCRIPTION</b>
55	GAA402BVK1	Interior Molding, G2 Balustrade Finish, Left Hand, OC = 10 degrees
56	GAA402BVK2	Interior Molding, G2 Balustrade Finish, Right Hand, OC = 10 degrees
57	GAA402BVK3	Interior Molding, G10 Balustrade Finish, Left Hand, OC = 10 degrees
58	GAA402BVK4	Interior Molding, G10 Balustrade Finish, Right Hand, OC = 10 degrees
59	GAA402BVK5	Interior Molding, G2 Balustrade Finish, Left Hand, OC = 12 degrees
60	GAA402BVK6	Interior Molding, G2 Balustrade Finish, Right Hand, OC = 12 degrees
61	GAA402BVK7	Interior Molding, G10 Balustrade Finish, Left Hand, OC = 12 degrees
62	GAA402BVK8	Interior Molding, G10 Balustrade Finish, Right Hand, OC = 12 degrees
63	GAA402BLC1	Interior Molding, G2 Balustrade Finish, L = 2960 mm
64	GAA402BLC2	Interior Molding, G2 Balustrade Finish, L = 1960 mm
65	GAA402BLC3	Interior Molding, G2 Balustrade Finish, L = 2320 mm
66	GAA402BLC-V1	Interior Molding, G2 Balustrade Finish, (cut on jobsite)
67	GAA402BLC4	Interior Molding, G10 Balustrade Finish, L = 2960 mm
68	GAA402BLC5	Interior Molding, G10 Balustrade Finish, L = 1960 mm
69	GAA402BLC6	Interior Molding, G10 Balustrade Finish, L = 2320 mm
70	GAA402BLC-V2	Interior Molding, G10 Balustrade Finish (cut on jobsite)
71	GBA72BV1	Angle Nut
72	---	Countersunk Head Tapping Screw, B4.2 x 13, DIN 7982 (196964)

TYPE HORIZONTAL , ST.ST.



ORDER

w Balustrade finish

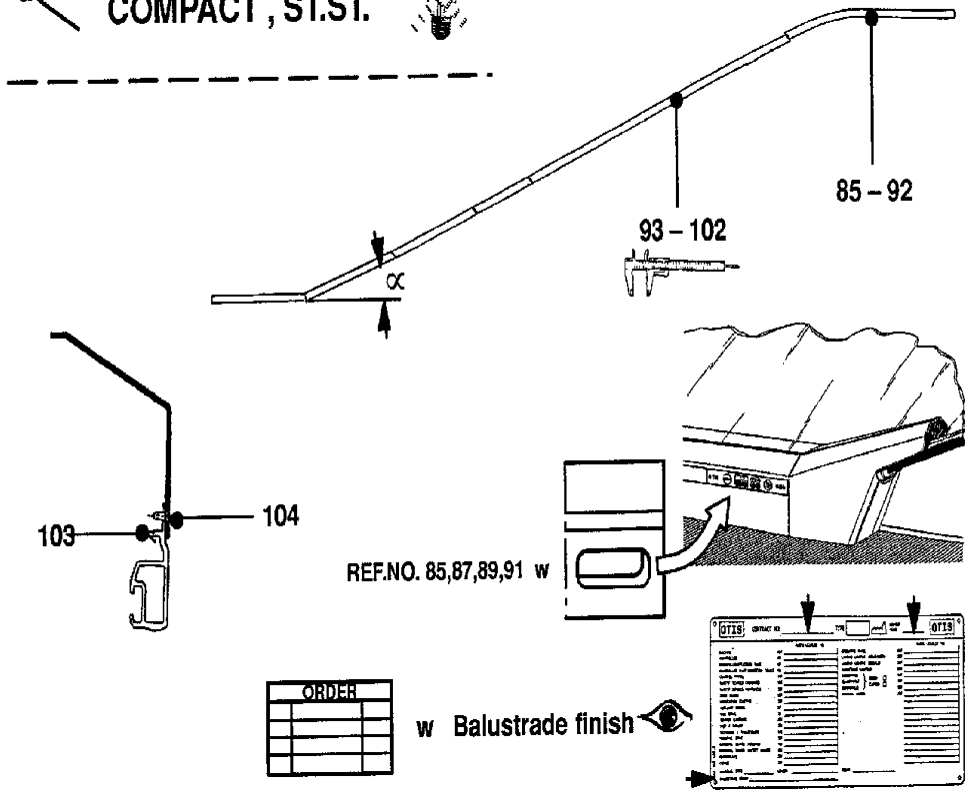
ORDER	TYPE

**SPL 57-GAA26428A - Trav-O-Lator 606 NCT Balustrade Alu / St. St.**

Page 12 - Trav-O-Lator 606 NCT Balustrade

<b>REF. NO.</b>	<b>PART OR M.L.</b>	<b>DESCRIPTION</b>
73	GAA402BWC1	Interior Molding, G2 Balustrade Finish, L = 1960 mm
74	GAA402BLC1	Interior Molding, G2 Balustrade Finish, L = 2960 mm
75	GAA402KBLC2	Interior Molding, G2 Balustrade Finish, L = 1960 mm
76	GAA402BLC3	Interior Molding, G2 Balustrade Finish, L = 2320 mm
77	GAA402BLC-V1	Interior Molding, G2 Balustrade Finish (cut on job site)
78	GAA402BWC2	Interior Molding, G10 Balustrade Finish, L = 1960 mm
79	GAA402BLC4	Interior Molding, G10 Balustrade Finish, L = 2960 mm
80	GAA402BLC5	Interior Molding, G10 Balustrade Finish, L = 1960 mm
81	GAA402BLC6	Interior Molding, G10 Balustrade Finish, L = 2320 mm
82	GAA402BLC-V2	Interior Molding, G10 Balustrade Finish, (cut on job site)
83	GAA72BV1	Angle Nut
84	---	Countersunk Head Tapping Screw, B4.2 x 13, DIN 7982 (196964)

 COMPACT, ST.ST. 





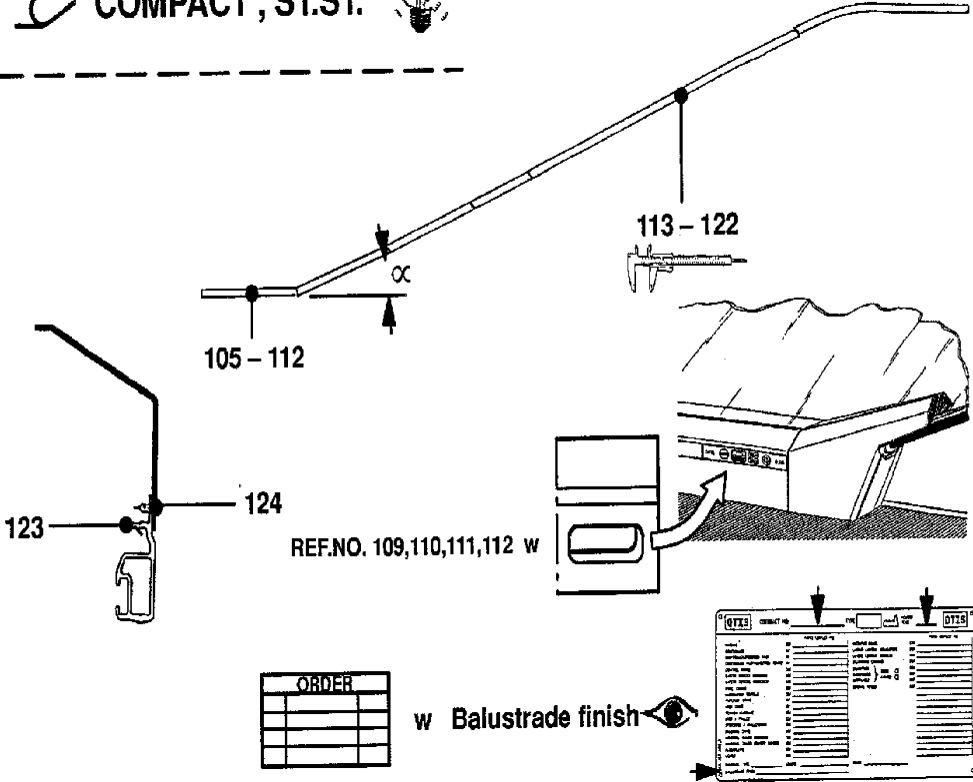
**SPL 57-GAA26428A - Trav-O-Lator 606 NCT Balustrade Alu / St. St.**

Page 13 - Trav-O-Lator 606 NCT Balustrade

<b>REF. NO.</b>	<b>PART OR M.L.</b>	<b>DESCRIPTION</b>
85	GAA402BWE1	Interior Molding, G2 Balustrade Finish, Left Hand, OC = 10 degrees
86	GAA402BWE2	Interior Molding, G2 Balustrade Finish, Right Hand, OC = 10 degrees
87	GAA402BWE3	Interior Molding, G10 Balustrade Finish, Left Hand, OC = 10 degrees
88	GAA402BWE4	Interior Molding, G10 Balustrade Finish, Right Hand, OC = 10 degrees
89	GAA402BWE5	Interior Molding, G2 Balustrade Finish, Left Hand, OC = 12 degrees
90	GAA402BWE6	Interior Molding, G2 Balustrade Finish, Right Hand, OC = 12 degrees
91	GAA402BWE7	Interior Molding, G10 Balustrade Finish, Left Hand, OC = 12 degrees
92	GAA402BWE8	Interior Molding, G10 Balustrade Finish, Right Hand, OC = 12 degrees
93	GAA402BTZ1	Interior Molding, G2 Balustrade Finish, L = 2960 mm
94	GAA402BTZ2	Interior Molding, G2 Balustrade Finish, L = 1960 mm
95	GAA402BTZ3	Interior Molding, G2 Balustrade Finish, L = 2320 mm
96	GAA402BTZ-V1	Interior Molding, G2 Balustrade Finish, (cut on jobsite)
97	GAA402BTZ-V01	Interior Molding, G2 Balustrade Finish, (cut on jobsite)
98	GAA402BTZ4	Interior Molding, G10 Balustrade Finish, L = 2960 mm
99	GAA402BTZ5	Interior Molding, G10 Balustrade Finish, L = 1960 mm
100	GAA402BTZ6	Interior Molding, G10 Balustrade Finish, L = 2320 mm
101	GAA402BTZ-V2	Interior Molding, G10 Balustrade Finish (cut on jobsite)
102	GAA402BTZ-V02	Interior Molding, G10 Balustrade Finish (cut on jobsite)
103	GBA72BV1	Angle Nut
104	---	Countersunk Head Tapping Screw, B4.2 x 13, DIN 7982 (196964)



 **COMPACT, ST.ST.** 

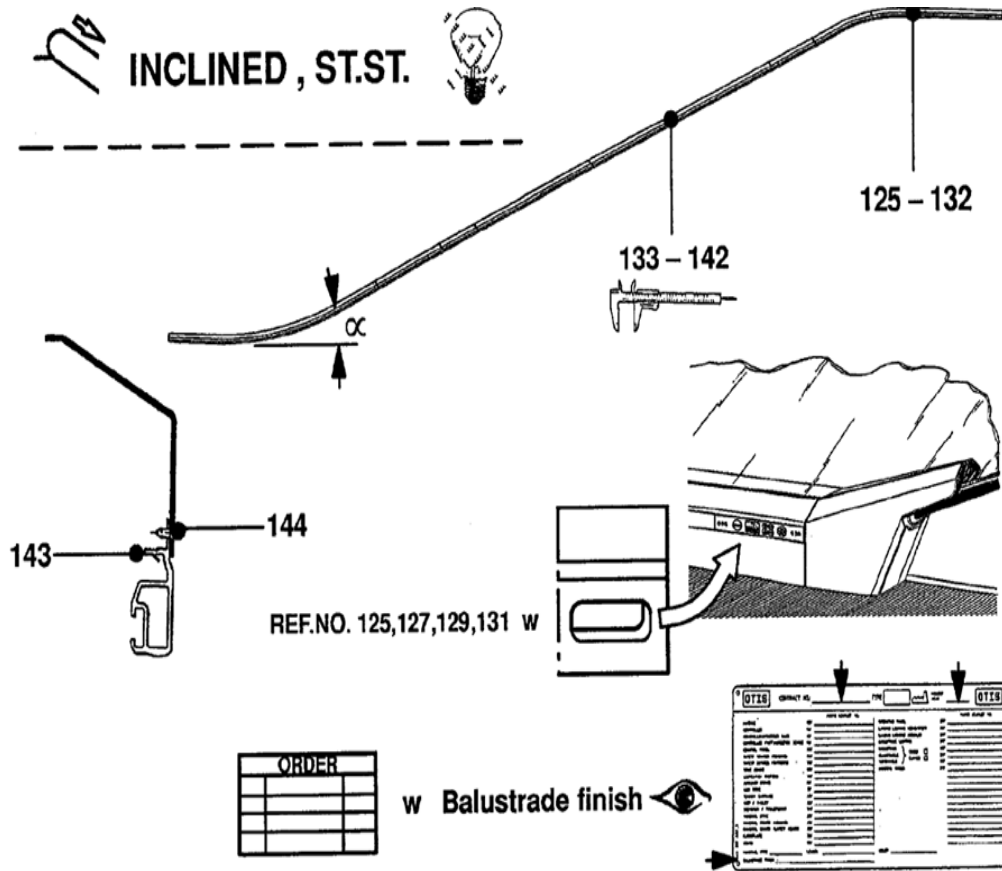


**SPL 57-GAA26428A - Trav-O-Lator 606 NCT Balustrade Alu / St. St.**

Page 14 - Trav-O-Lator 606 NCT Balustrade

<b>REF. NO.</b>	<b>PART OR M.L.</b>	<b>DESCRIPTION</b>
105	GAA402BWD1	Interior Molding, G2 Balustrade Finish, OC = 10 degrees
106	GAA402BWD3	Interior Molding, G2 Balustrade Finish, OC = 12 degrees
107	GAA402BWD2	Interior Molding, G10 Balustrade Finish, OC = 10 degrees
108	GAA402BWD4	Interior Molding, G10 Balustrade Finish, OC = 12 degrees
109	GAA402BWD5	Interior Molding, G2 Balustrade Finish, OC = 10 degrees
110	GAA402BWD7	Interior Molding, G2 Balustrade Finish, OC = 12 degrees
111	GAA402BWD6	Interior Molding, G10 Balustrade Finish, OC = 10 degrees
112	GAA402BWD8	Interior Molding, G10 Balustrade Finish, OC = 12 degrees
113	GAA402BTZ1	Interior Molding, G2 Balustrade Finish, L = 2960 mm
114	GAA402BTZ2	Interior Molding, G2 Balustrade Finish, L = 1960 mm
115	GAA402BTZ3	Interior Molding, G2 Balustrade Finish, L = 2320 mm
116	GAA402BTZ-V1	Interior Molding, G2 Balustrade Finish, (cut on jobsite)
117	GAA402BTZ-V01	Interior Molding, G2 Balustrade Finish, (cut on jobsite)
118	GAA402BTZ4	Interior Molding, G10 Balustrade Finish, L = 2960 mm
119	GAA402BTZ5	Interior Molding, G10 Balustrade Finish, L = 1960 mm
120	GAA402BTZ6	Interior Molding, G10 Balustrade Finish, L = 2320 mm
121	GAA402BTZ-V2	Interior Molding, G10 Balustrade Finish (cut on jobsite)
122	GAA402BTZ-V02	Interior Molding, G10 Balustrade Finish (cut on jobsite)
123	GBA72BV1	Angle Nut
124	---	Countersunk Head Tapping Screw, B4.2 x 13, DIN 7982 (196964)

Page 15 - Trav-O-Lator 606 NCT Balustrade

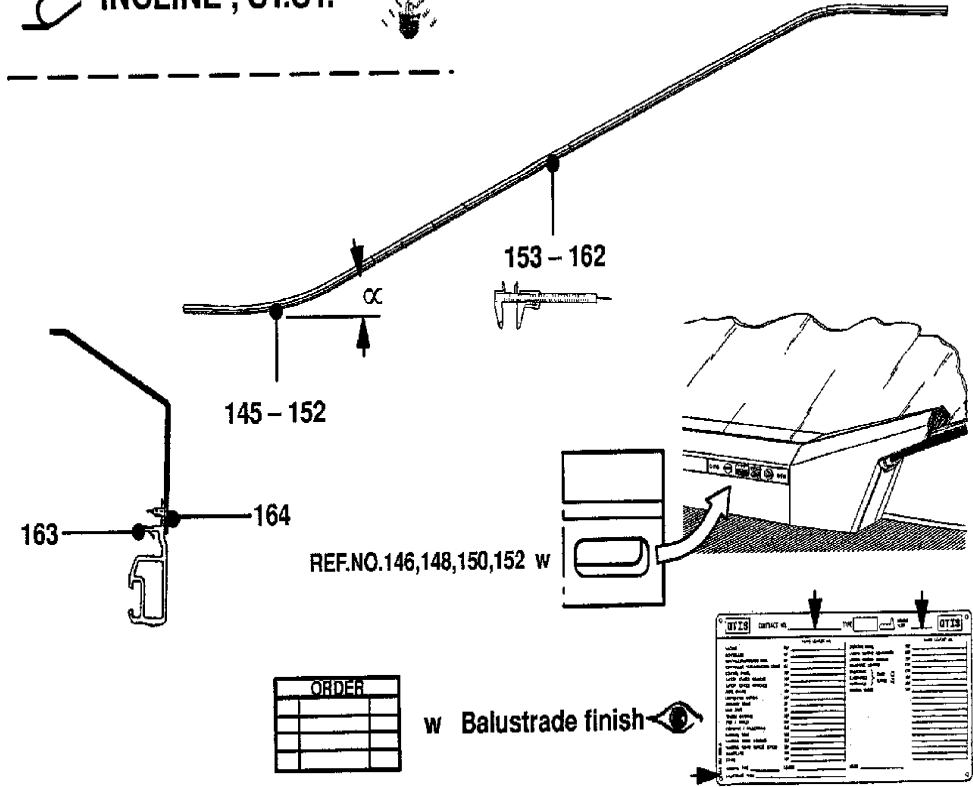


**SPL 57-GAA26428A - Trav-O-Lator 606 NCT Balustrade Alu / St. St.**

Page 15 - Trav-O-Lator 606 NCT Balustrade

<b>REF. NO.</b>	<b>PART OR M.L.</b>	<b>DESCRIPTION</b>
125	GAA402BWE9	Interior Molding, G2 Balustrade Finish, Left Hand, OC = 10 degrees
126	GAA402BWE10	Interior Molding, G2 Balustrade Finish, Right Hand, OC = 10 degrees
127	GAA402BWE11	Interior Molding, G10 Balustrade Finish, Left Hand, OC = 10 degrees
128	GAA402BWE12	Interior Molding, G10 Balustrade Finish, Right Hand, OC = 10 degrees
129	GAA402BWE13	Interior Molding, G2 Balustrade Finish, Left Hand, OC = 12 degrees
130	GAA402BWE14	Interior Molding, G2 Balustrade Finish, Right Hand, OC = 12 degrees
131	GAA402BWE15	Interior Molding, G10 Balustrade Finish, Left Hand, OC = 12 degrees
132	GAA402BWE16	Interior Molding, G10 Balustrade Finish, Right Hand, OC = 12 degrees
133	GAA402BTZ1	Interior Molding, G2 Balustrade Finish, L = 2960 mm
134	GAA402BTZ2	Interior Molding, G2 Balustrade Finish, L = 1960 mm
135	GAA402BTZ3	Interior Molding, G2 Balustrade Finish, L = 2320 mm
136	GAA402BTZ-V1	Interior Molding, G2 Balustrade Finish, (cut on jobsite)
137	GAA402BTZ-V01	Interior Molding, G2 Balustrade Finish, (cut on jobsite)
138	GAA402BTZ4	Interior Molding, G10 Balustrade Finish, L = 2960 mm
139	GAA402BTZ5	Interior Molding, G10 Balustrade Finish, L = 1960 mm
140	GAA402BTZ6	Interior Molding, G10 Balustrade Finish, L = 2320 mm
141	GAA402BTZ-V2	Interior Molding, G10 Balustrade Finish (cut on jobsite)
142	GAA402BTZ-V02	Interior Molding, G10 Balustrade Finish (cut on jobsite)
143	GBA72BV1	Angle Nut
144	---	Countersunk Head Tapping Screw, B4.2 x 13, DIN 7982 (196964)

 INCLINE, ST.ST. 



**SPL 57-GAA26428A - Trav-O-Lator 606 NCT Balustrade Alu / St. St.**

Page 16 - Trav-O-Lator 606 NCT Balustrade

<b>REF. NO.</b>	<b>PART OR M.L.</b>	<b>DESCRIPTION</b>
145	GAA402BWF1	Interior Molding, G2 Balustrade Finish, Left Hand, OC = 10 degrees
146	GAA402BWF2	Interior Molding, G2 Balustrade Finish, Right Hand, OC = 10 degrees
147	GAA402BWF3	Interior Molding, G10 Balustrade Finish, Left Hand, OC = 10 degrees
148	GAA402BWF4	Interior Molding, G10 Balustrade Finish, Right Hand, OC = 10 degrees
149	GAA402BWF5	Interior Molding, G2 Balustrade Finish, Left Hand, OC = 12 degrees
150	GAA402BWF6	Interior Molding, G2 Balustrade Finish, Right Hand, OC = 12 degrees
151	GAA402BWF7	Interior Molding, G10 Balustrade Finish, Left Hand, OC = 12 degrees
152	GAA402BWF8	Interior Molding, G10 Balustrade Finish, Right Hand, OC = 12 degrees
153	GAA402BTZ1	Interior Molding, G2 Balustrade Finish, L = 2960 mm
154	GAA402BTZ2	Interior Molding, G2 Balustrade Finish, L = 1960 mm
155	GAA402BTZ3	Interior Molding, G2 Balustrade Finish, L = 2320 mm
156	GAA402BTZ-V1	Interior Molding, G2 Balustrade Finish, (cut on jobsite)
157	GAA402BTZ-V01	Interior Molding, G2 Balustrade Finish, (cut on jobsite)
158	GAA402BTZ4	Interior Molding, G10 Balustrade Finish, L = 2960 mm
159	GAA402BTZ5	Interior Molding, G10 Balustrade Finish, L = 1960 mm
160	GAA402BTZ6	Interior Molding, G10 Balustrade Finish, L = 2320 mm
161	GAA402BTZ-V2	Interior Molding, G10 Balustrade Finish (cut on jobsite)
162	GAA402BTZ-V02	Interior Molding, G10 Balustrade Finish (cut on jobsite)
163	GBA72BV1	Angle Nut
164	---	Countersunk Head Tapping Screw, B4.2 x 13, DIN 7982 (196964)

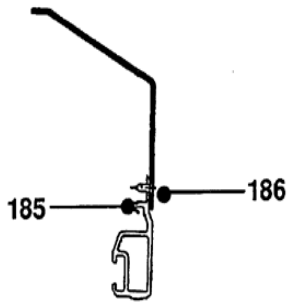
TYPE HORIZONTAL , ST.ST.



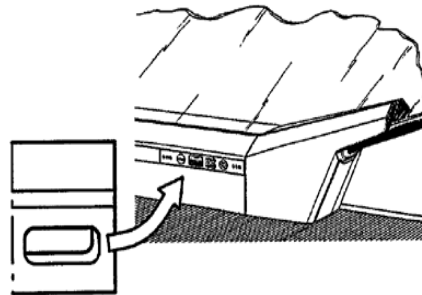
165 + 171  
167 + 173

166 - 170 , 171 - 176

165 + 171  
167 + 173

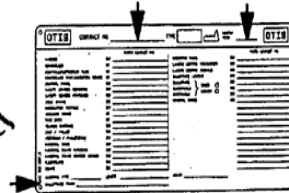


REF.NO. 165,171 w



ORDER	

w Balustrade finish



**SPL 57-GAA26428A - Trav-O-Lator 606 NCT Balustrade Alu / St. St.**

**Page 17 - Trav-O-Lator 606 NCT Balustrade**

<b>REF. NO.</b>	<b>PART OR M.L.</b>	<b>DESCRIPTION</b>
165	GAA402BVN1	Interior Molding, G2 Balustrade Finish, L = 1960 mm
166	GAA402BTZ1	Interior Molding, G2 Balustrade Finish, L = 2960 mm
167	GAA402KBTZ2	Interior Molding, G2 Balustrade Finish, L = 1960 mm
168	GAA402BTZ3	Interior Molding, G2 Balustrade Finish, L = 2320 mm
169	GAA402BTZ-V1	Interior Molding, G2 Balustrade Finish (cut on job site)
170	GAA402BTZ-V01	Interior Molding, G2 Balustrade Finish (cut on job site)
171	GAA402BVN2	Interior Molding, G10 Balustrade Finish, L = 1960 mm
172	GAA402BTZ4	Interior Molding, G10 Balustrade Finish, L = 2960 mm
173	GAA402BTZ5	Interior Molding, G10 Balustrade Finish, L = 1960 mm
174	GAA402BTZ6	Interior Molding, G10 Balustrade Finish, L = 2320 mm
175	GAA402BTZ-V2	Interior Molding, G10 Balustrade Finish, (cut on job site)
176	GAA402BTZ-V02	Interior Molding, G10 Balustrade Finish, (cut on job site)
177	GAA72BV1	Angle Nut
178	---	Countersunk Head Tapping Screw, B4.2 x 13, DIN 7982 (196964)