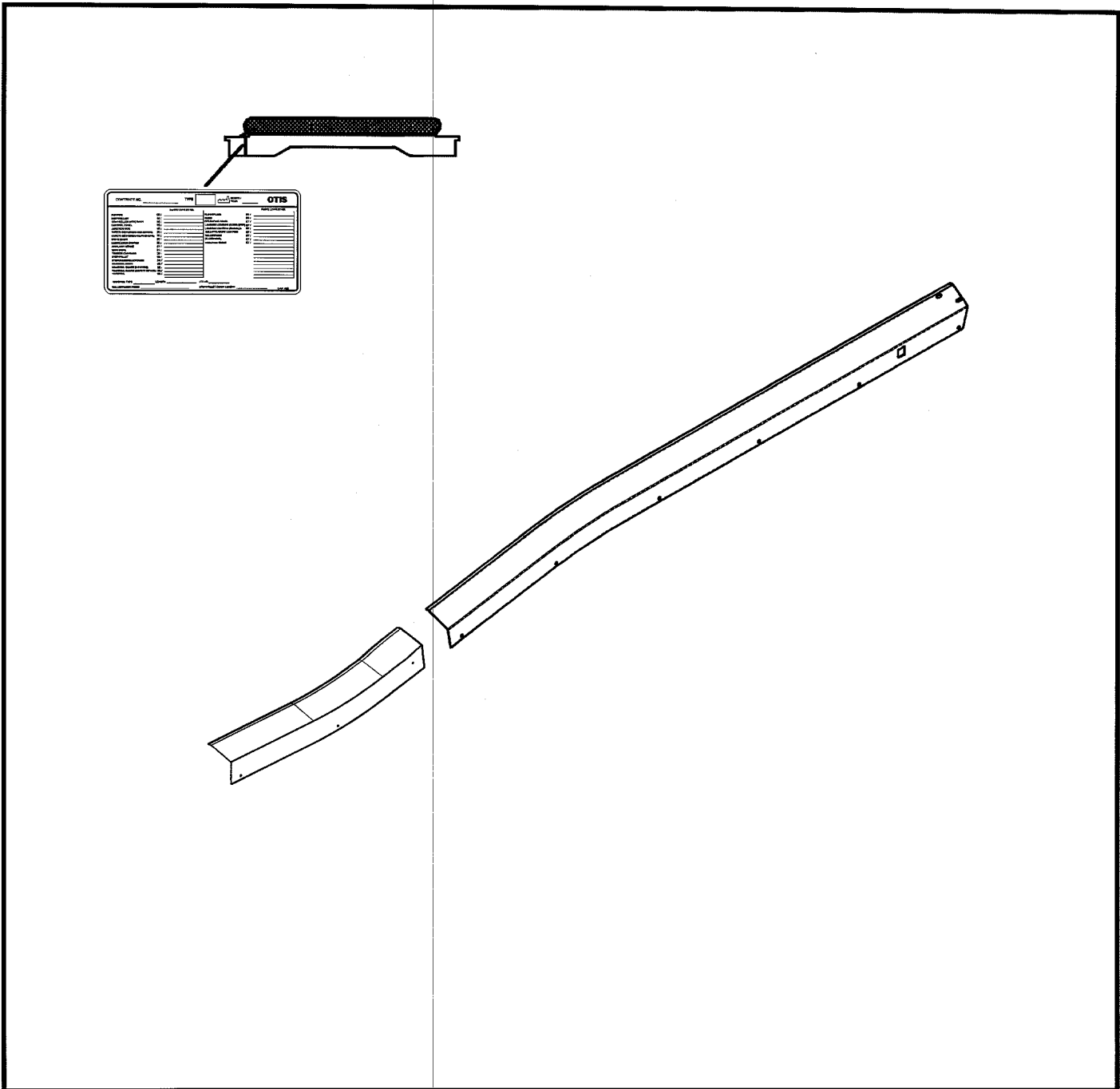
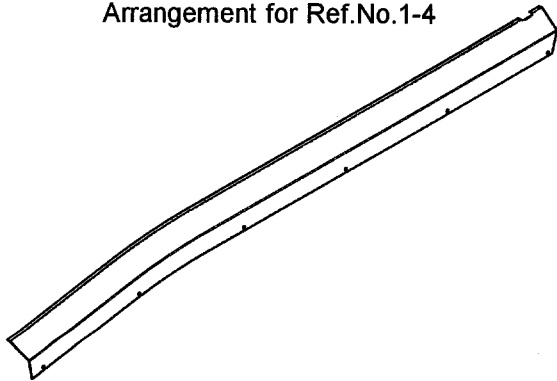


**Trav-O-Lator® 610NPT
Balustrade off-centered**

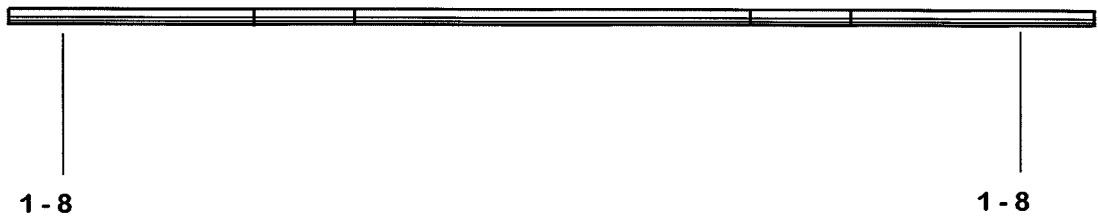
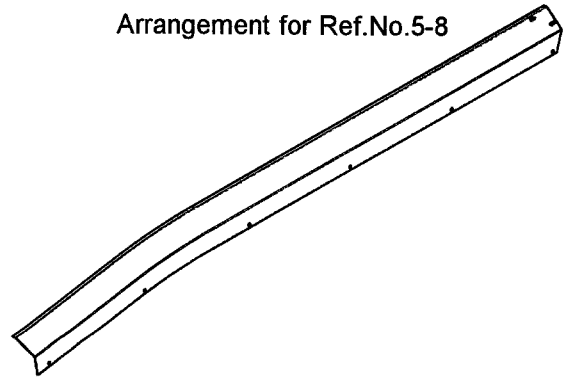
57-G..26428E



Arrangement for Ref.No.1-4



Arrangement for Ref.No.5-8



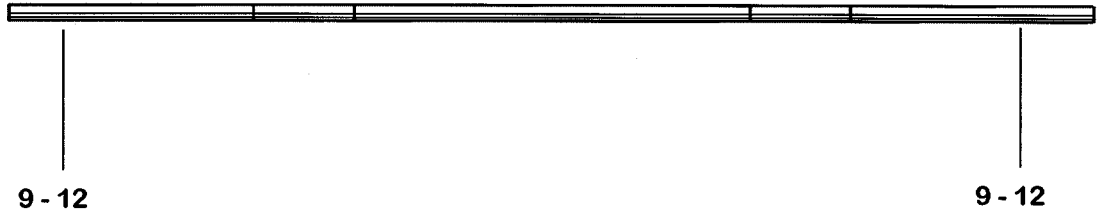
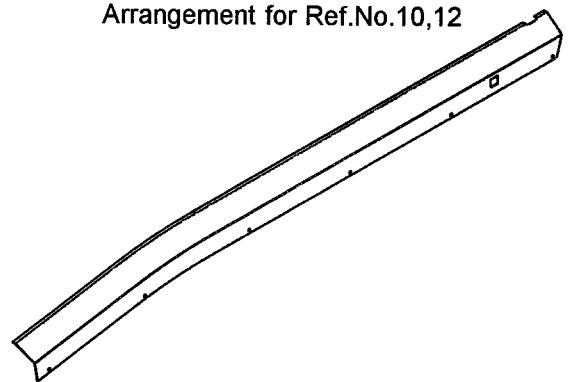
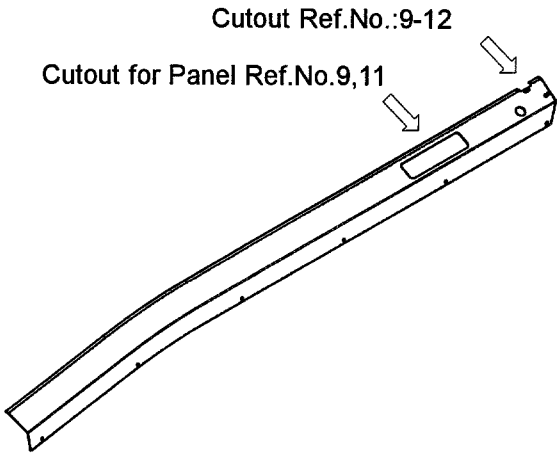
1 - 8

1 - 8

| ORDER | |
|-------|--|
| | |
| | |
| | |
| | |

Balustraden Finish Type Tag

| GAA26428E | | | |
|------------------|---------------------|--------------------|-----------------------|
| REF.NO. | PART OR M.L. | DESCRIPTION | BALUSTR.FINISH |
| 1 | GAA402BZM1 | Interior Moulding | G2 |
| 2 | GAA402BZM2 | Interior Moulding | G10 |
| 3 | GAA402BZM3 | Interior Moulding | G2 |
| 4 | GAA402BZM4 | Interior Moulding | G10 |
| 5 | GAA402BZM9 | Interior Moulding | G2 |
| 6 | GAA402BZM10 | Interior Moulding | |
| 7 | GAA402BZM11 | Interior Moulding | G10 |
| 8 | GAA402BZM12 | Interior Moulding | |

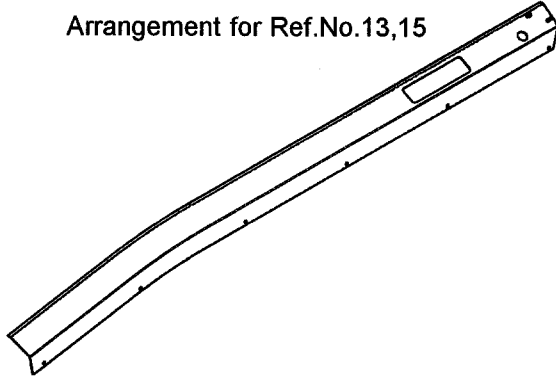


| ORDER | |
|-------|--|
| | |
| | |
| | |
| | |

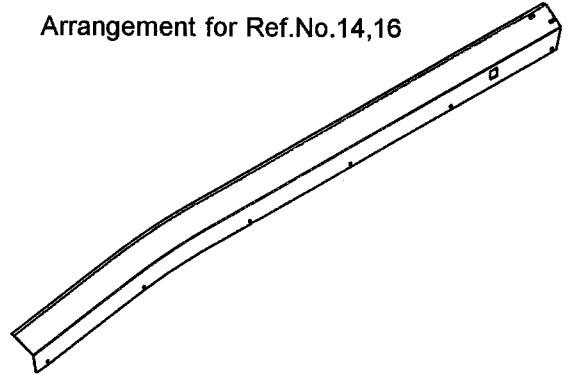
Balustraden Finish Type Tag

| REF.NO. | PART OR M.L. | DESCRIPTION | CODE | BALUSTR.FINISH |
|---------|--------------|-------------------|----------|----------------|
| 9 | GAA402BZM5 | Interior Moulding | EN115 | G2 |
| 10 | GAA402BZM6 | Interior Moulding | ASME17.1 | |
| 11 | GAA402BZM7 | Interior Moulding | EN115 | G10 |
| 12 | GAA402BZM8 | Interior Moulding | ASME17.1 | |

Arrangement for Ref.No.13,15



Arrangement for Ref.No.14,16



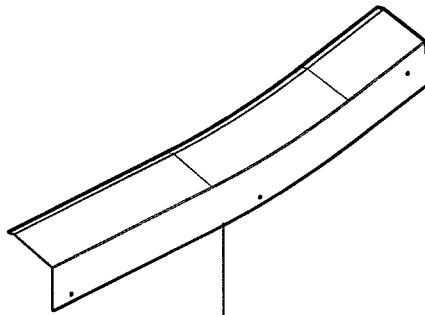
13- 16

13 - 16

| ORDER | |
|-------|--|
| | |
| | |
| | |
| | |

Balustraden Finish ◀ Type Tag

| REF.NO. | PART OR M.L. | DESCRIPTION | CODE | BALUSTR.FINISH |
|---------|--------------|-------------------|----------|----------------|
| 13 | GAA402BZM13 | Interior Moulding | EN115 | G2 |
| 14 | GAA402BZM14 | Interior Moulding | ASME17.1 | |
| 15 | GAA402BZM15 | Interior Moulding | EN115 | G10 |
| 16 | GAA402BZM16 | Interior Moulding | ASME17.1 | |



17 - 20



17 - 20

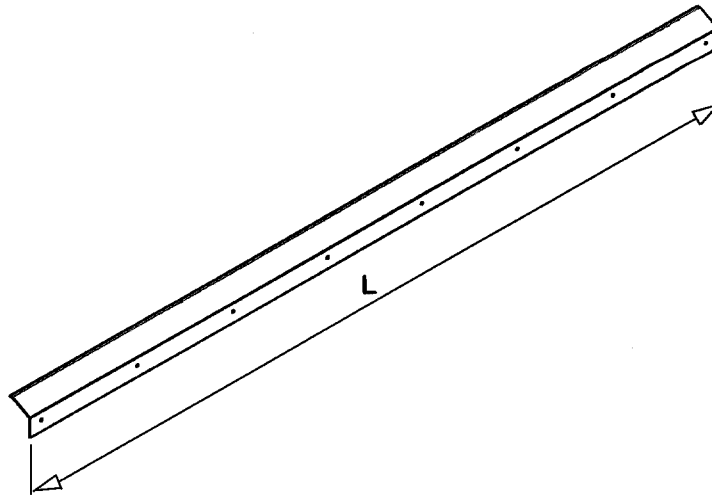
17 - 20

| ORDER | |
|-------|--|
| | |
| | |
| | |
| | |
| | |

Balustraden Finish ◀ Type Tag

GAA26428E


| REF.NO. | PART OR M.L. | DESCRIPTION | BALUSTR.FINISH |
|---------|--------------|---------------------|----------------|
| 17 | GAA402BZN1 | Interior Moulding ↕ | G2 |
| 18 | GAA402BZN2 | Interior Moulding ↕ | |
| 19 | GAA402BZN3 | Interior Moulding ↕ | G10 |
| 20 | GAA402BZN4 | Interior Moulding ↕ | |

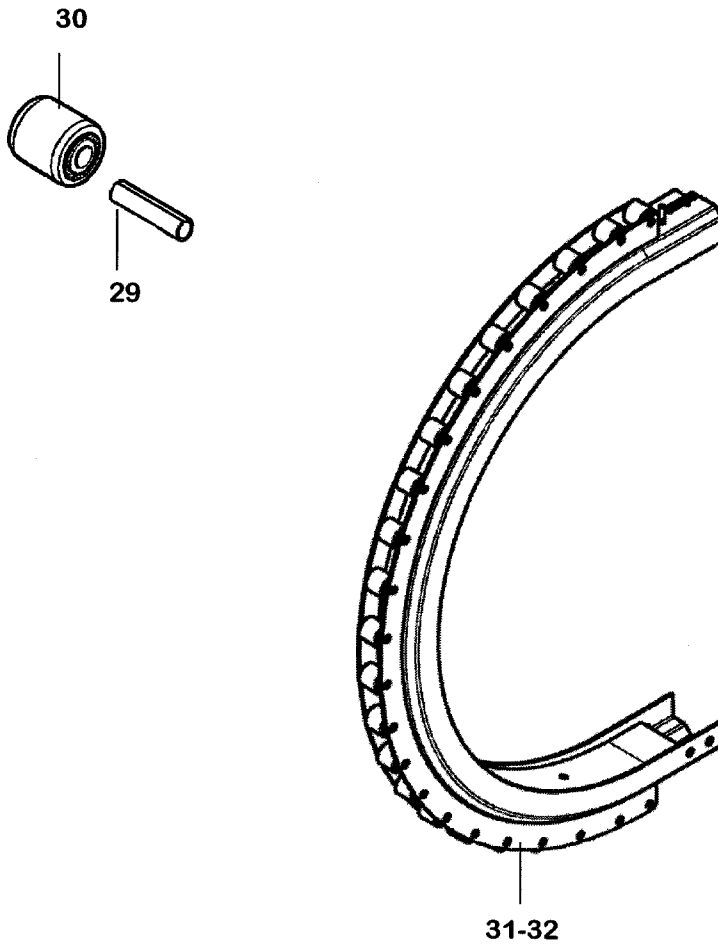


21 - 28

| ORDER | |
|-------|--|
| | |
| | |
| | |

Balustraden Finish ← Type Tag

| GAA26428E | | | | |
|-----------|--------------|-------------------|---|----------------|
| REF.NO. | PART OR M.L. | DESCRIPTION | L | BALUSTR.FINISH |
| 21 | GAA402CBE1 | Interior Moulding | 2960mm | G2 |
| 22 | GAA402CBE2 | Interior Moulding | 1960mm | |
| 23 | GAA402CBE3 | Interior Moulding | 2320mm | |
| 24 | GAA402CBE4 | Interior Moulding | 2960mm | G10 |
| 25 | GAA402CBE5 | Interior Moulding | 1960mm | |
| 26 | GAA402CBE6 | Interior Moulding | 2320mm | |
| 27 | GAA402CBE-V1 | Interior Moulding |  | G2 |
| 28 | GAA402CBE-V2 | Interior Moulding | | G10 |



| GAA26428E | | |
|------------------|---------------------|---------------------|
| REF.NO. | PART OR M.L. | DESCRIPTION |
| 29 | GO465BA1 | Pin |
| 30 | GO456AY1 | Roller |
| 31 | GAA402CBS1 | Semi Circular Newel |
| 32 | GAA402CBS2 | Semi Circular Newel |

| |
|--------|
| ORDER |
| Roller |
| Pin |
| |
| |