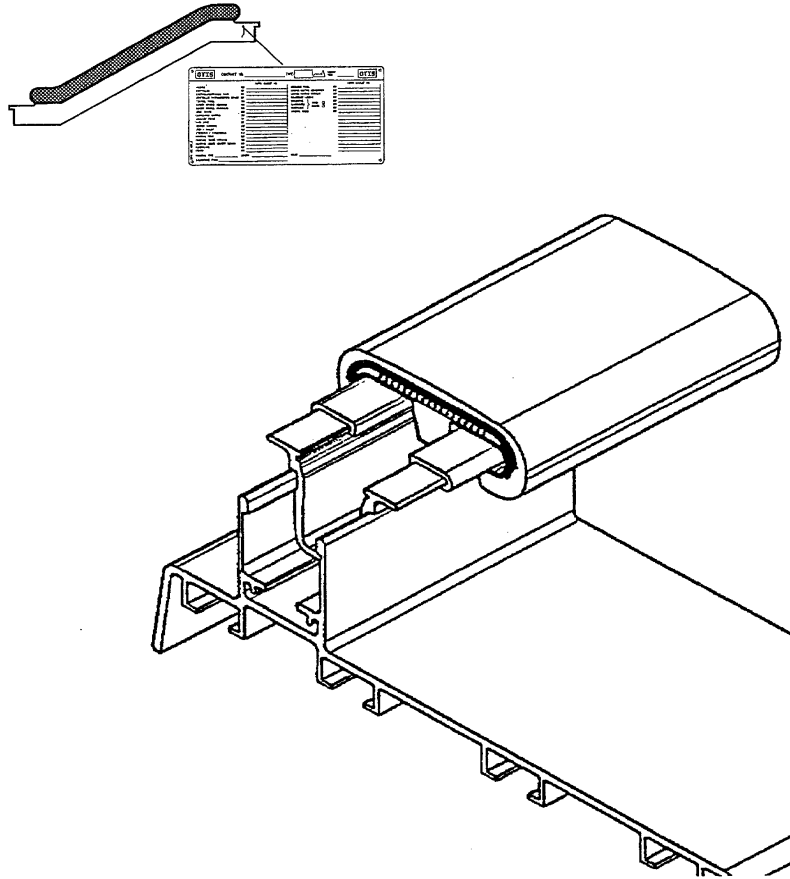


SPL 57-GAA402BRH - Escalator 513 NPE L/S Handrail Guide

Unpublished Work - © Otis Elevator Company. Any unauthorized reproduction, disclosure, or distribution of copies or content by any person of any portion of this work may be a violation of Copyright Law of the United States of America. All rights reserved.

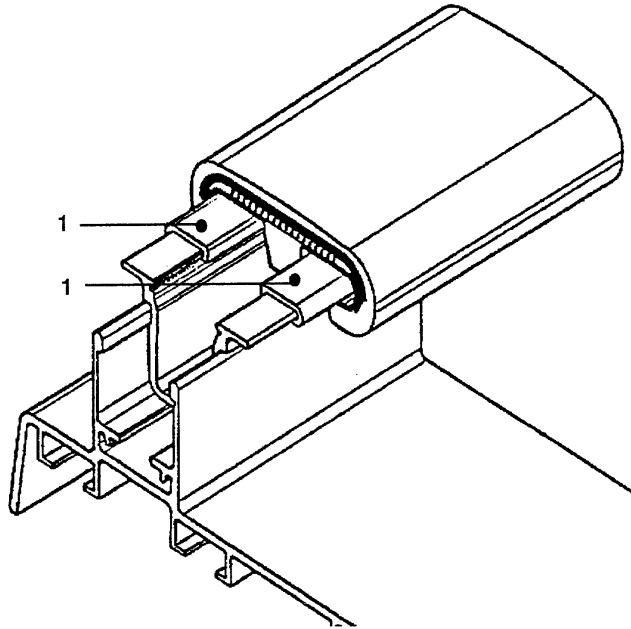
July 1997

Page 1



SPL 57-GAA402BRH - Escalator 513 NPE L/S Handrail Guide

Page 2 - Escalator 513 NPE-L/S Handrail Guide



Page 2 - Escalator 513 NPE-L/S Handrail Guide

GAA402BRH		
REF. NO.	PART OR M.L.	DESCRIPTION
1	GAA50ADW1	Handrail Guide Shape, L = 6000 mm (cut on job site)