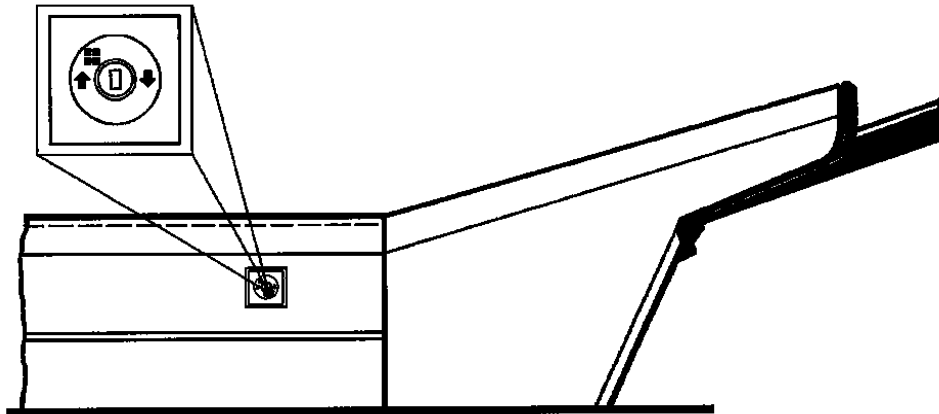
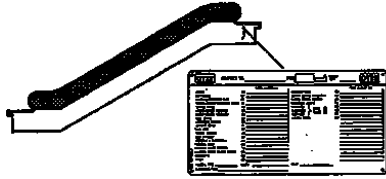


# SPL 57-GAA634AD - Escalator 506 NCE, Code: ASME A17.1 Start Switch

Unpublished Work - © Otis Elevator Company. Any unauthorized reproduction, disclosure, or distribution of copies or content by any person of any portion of this work may be a violation of Copyright Law of the United States of America. All rights reserved.

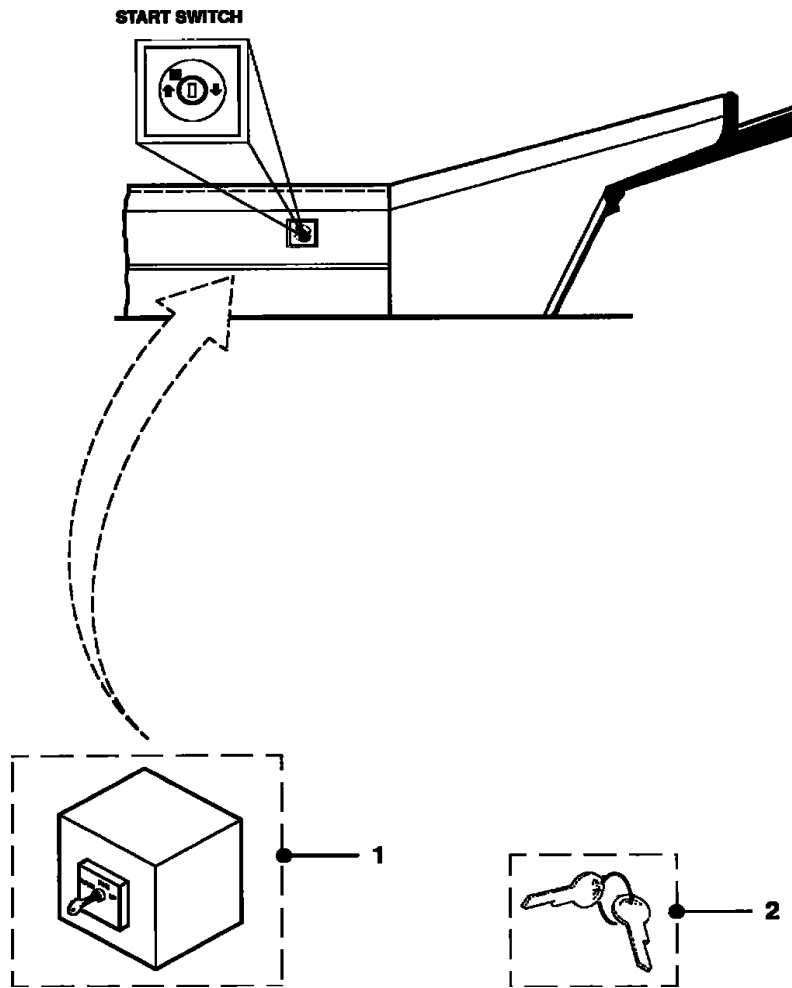
November 1998

Page 2



SPL 57-GAA634AD - Escalator 506 NCE, Code: ASME A17.1 Start Switch

Page 2 - Escalator 506 NCE, Code: ASME A17.1 Start Switch



Page 2 -Escalator 506 NCE, Code: ASME A17.1 Start Switch

GAA634AD		
REF. NO.	PART OR M.L.	DESCRIPTION
1	GAA634AD1	Switch, Key operated
2	GAA26220AM500	Key - S00 V750 / EG0050