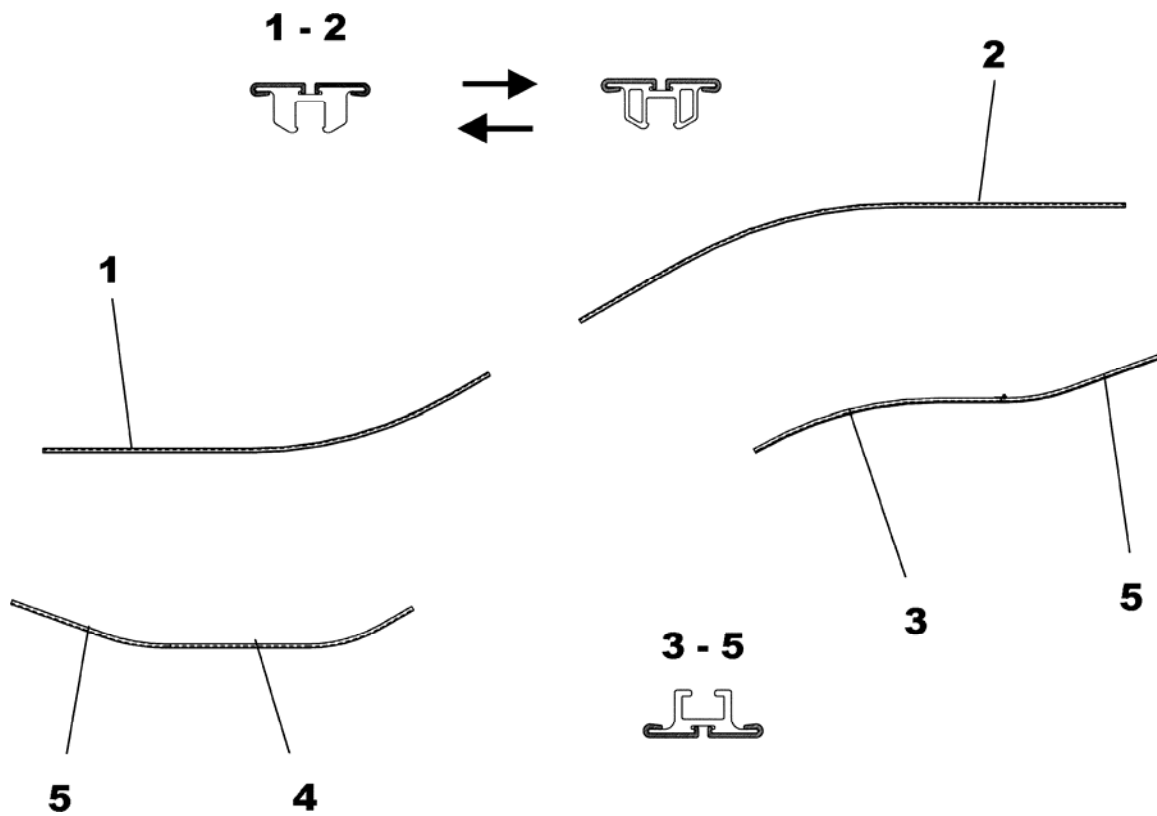


Handrail Guide System
506NCE

Spare Parts Leaflet

57-G..26180W

Jan 02, 2004 / Page 1 of 18



Unpublished Work—© Otis Elevator Co.; 2004

OTIS

Safety First!

ENGINEERING
Otis Escalator Systems
Stadthagen, Germany

Leaflet Description

This SPL includes also GAA/GBA26228F handrail guide system for linear belt drive.

Leaflet Revisions

Date Revised	Subject Matter Expert	Reason for Revision
Jan. 02, 2004	Margarete Solbach	New SPL

Related Drawings

Drawing No.	Title	Drawing No.	Title
GAA/GBA26180W	Handrail Guide System	GAA26228F	Handrail Guide System
GCA26180W	Handrail Guide System	GBA26228F	Handrail Guide System

Related Documents

Document ID	Title

Subject Matter Expert

Name	Department
Margarete Solbach	OEC – Stadthagen

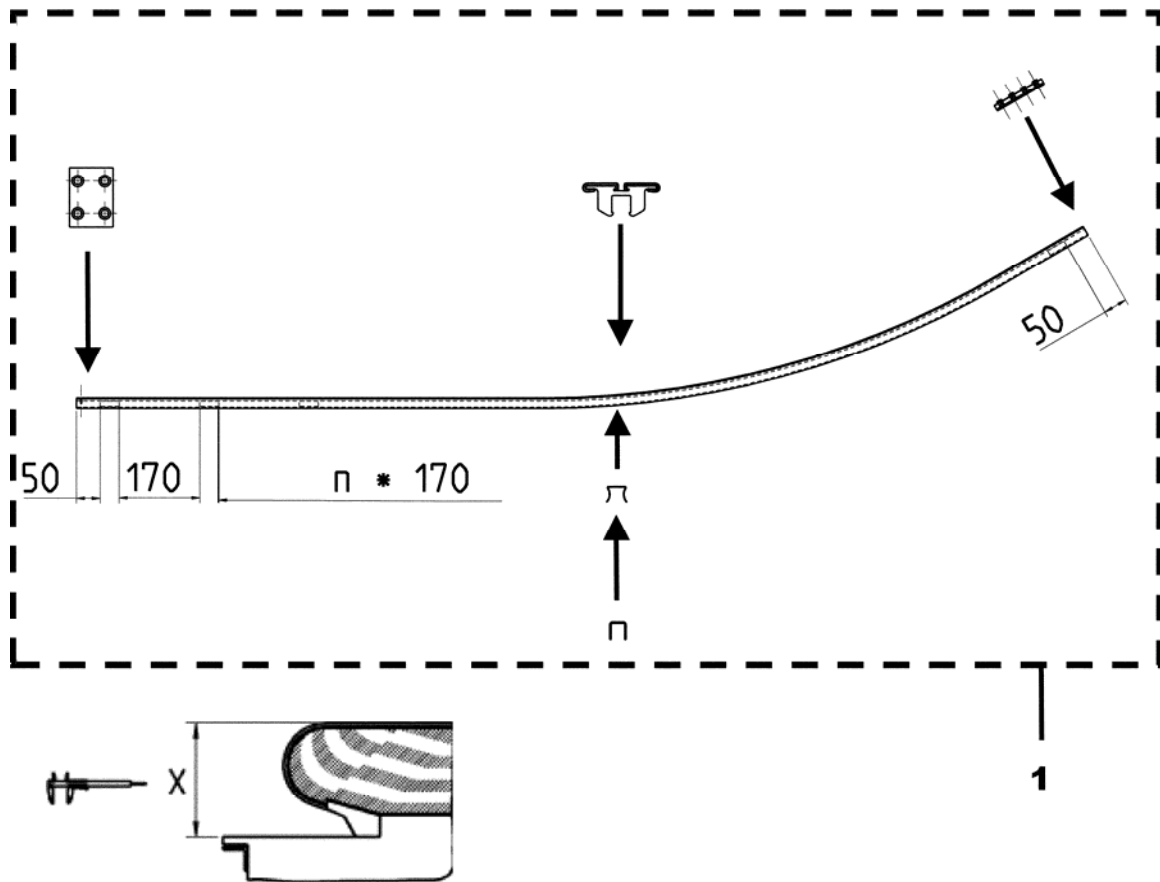
About Spare Parts Leaflets...

This document lists the lowest replaceable units (LRUs) for the standard version of the product. The LRUs are chosen by a team of Otis associates representing engineering and manufacturing.

While goal of this document is to make parts identification as easy as possible, the document cannot be all-inclusive. Elevator and escalator contracts classified as “special” or “custom” are not addressed here. For such contracts, please refer to specified information, the contract folder, TIPS, Field Education Articles, Construction Letters, etc. for further information.

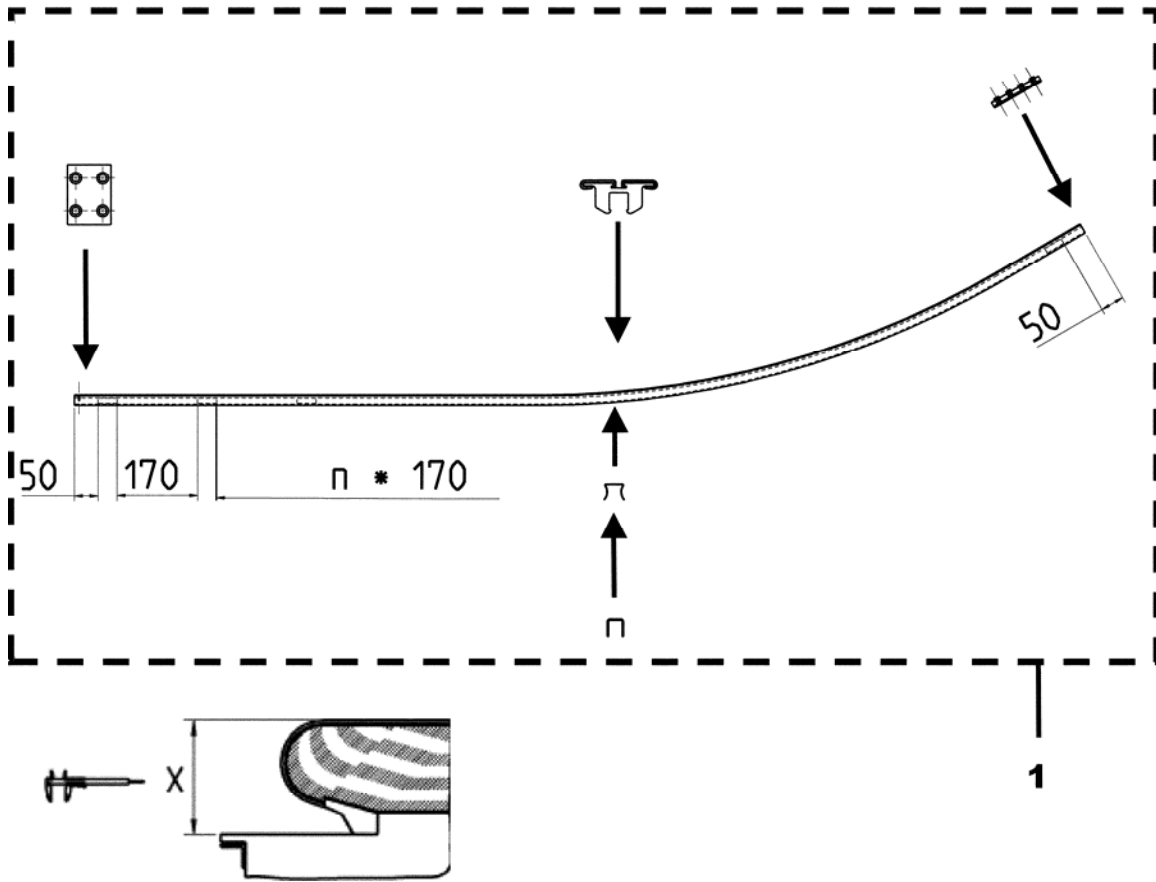
If you have any suggestions about this document, please contact the subject matter expert listed on this page.

For Newel Arrangement with Plastic Sliding Profiles only

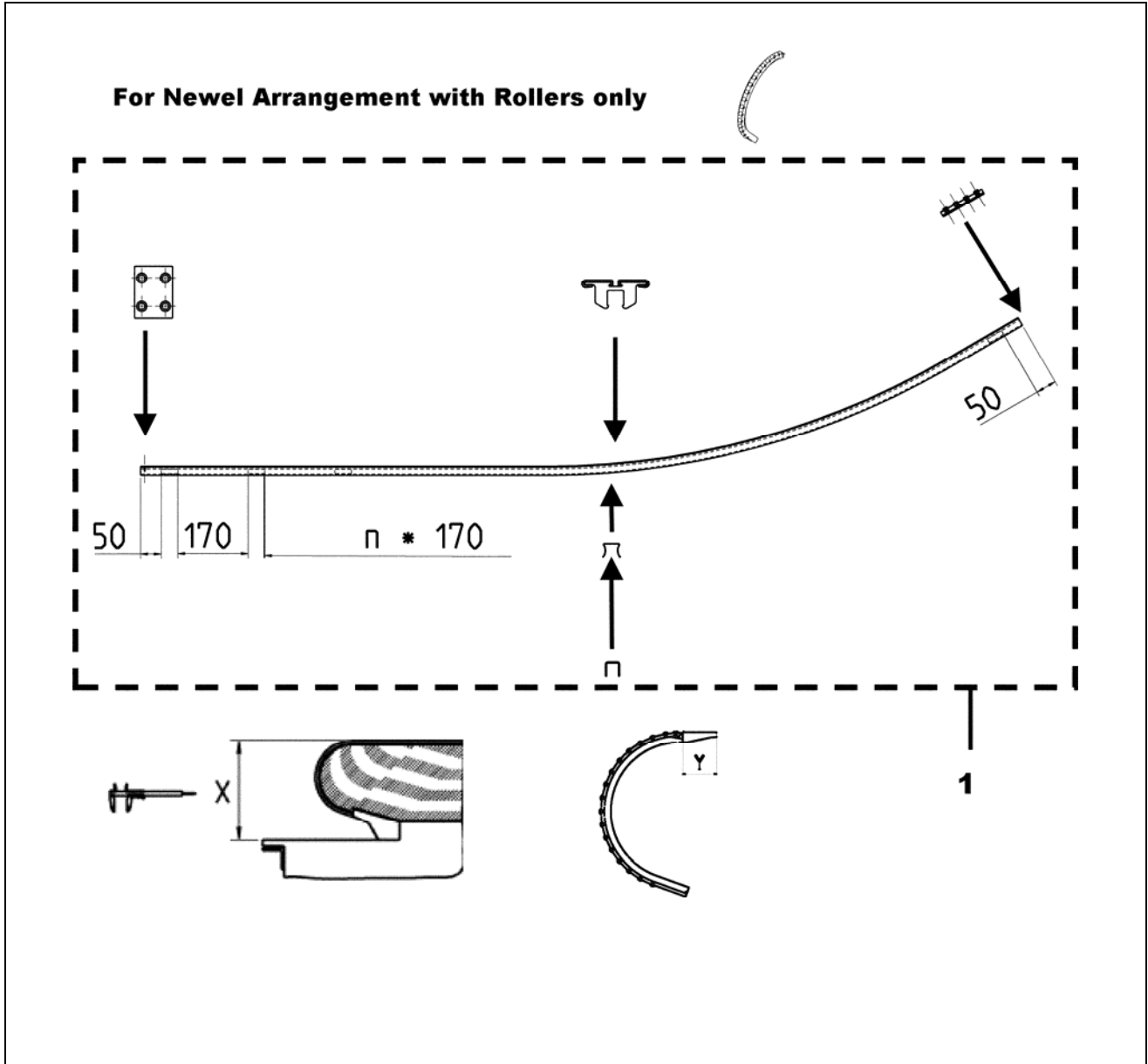


VINTAGE					
REF. No.	PART No.	DESCRIPTION	X	CODE	TYPE
1	GAA27078K1	Handrail Guide complete	930	30°, EN 115	
	GAA27078K2	Handrail Guide complete	930	35°, EN 115	
	GAA27078K3	Handrail Guide complete	1000	30°, EN 115	
	GAA27078K4	Handrail Guide complete	1000	35°, EN 115	
	GAA27078K5	Handrail Guide complete	1000	30°, ASME A17,1-1996 / B44	
	GAA27078K6	Handrail Guide complete	930	30°, ASME A17,1-2000 / B44	

For Newel Arrangement with Plastic Sliding Profiles only

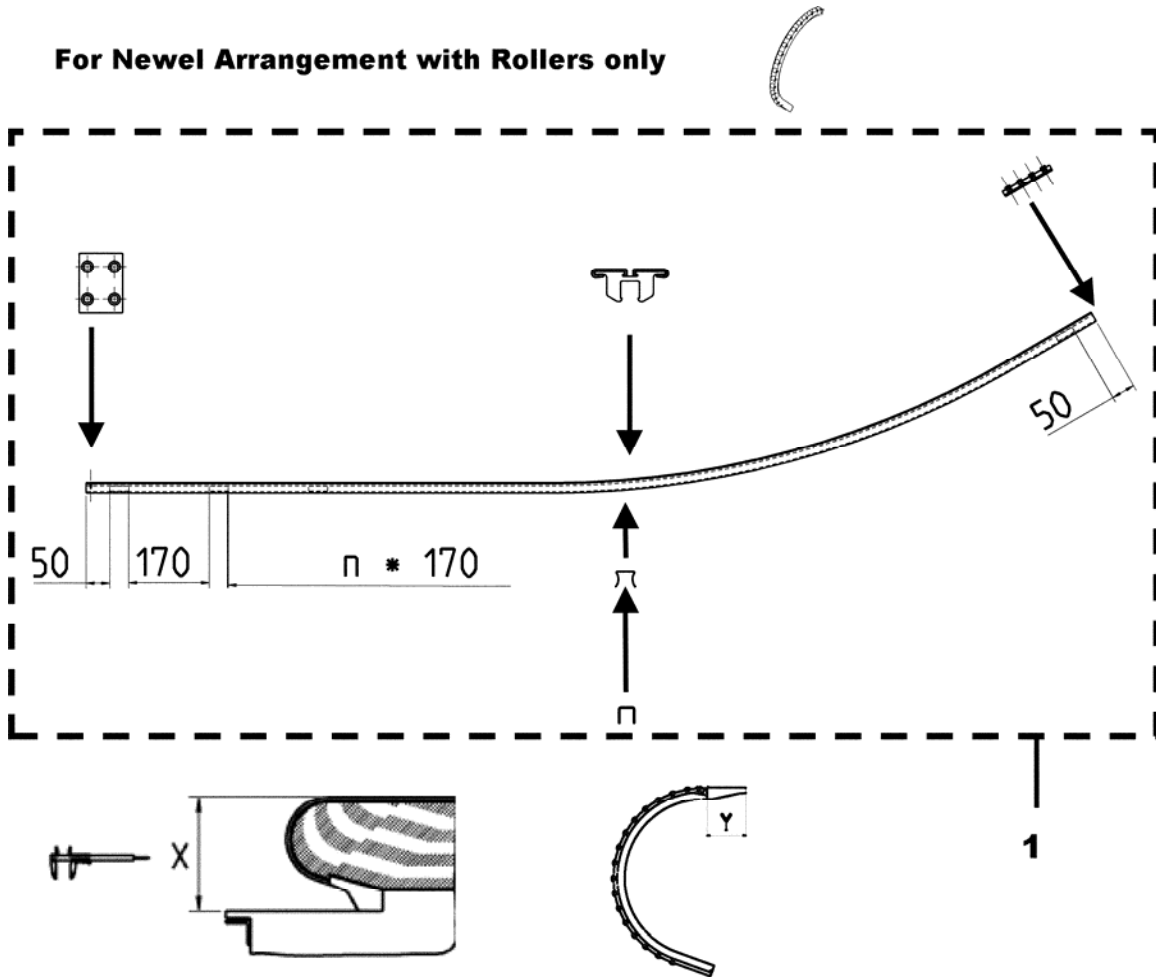


REF. No.	VINTAGE	PART No.	DESCRIPTION	X	CODE	TYPE
1		GAA27078K7	Handrail Guide complete	930	30°, EN 115	
		GAA27078K8	Handrail Guide complete	930	35°, EN 115	
		GAA27078K9	Handrail Guide complete	1000	30°, EN 115	
		GAA27078K10	Handrail Guide complete	1000	35°, EN 115	
		GAA27078K11	Handrail Guide complete	1000	30°, ASME A17,1-1996 / B44	
		GAA27078K12	Handrail Guide complete	930	30°, ASME A17,1-2000 / B44	

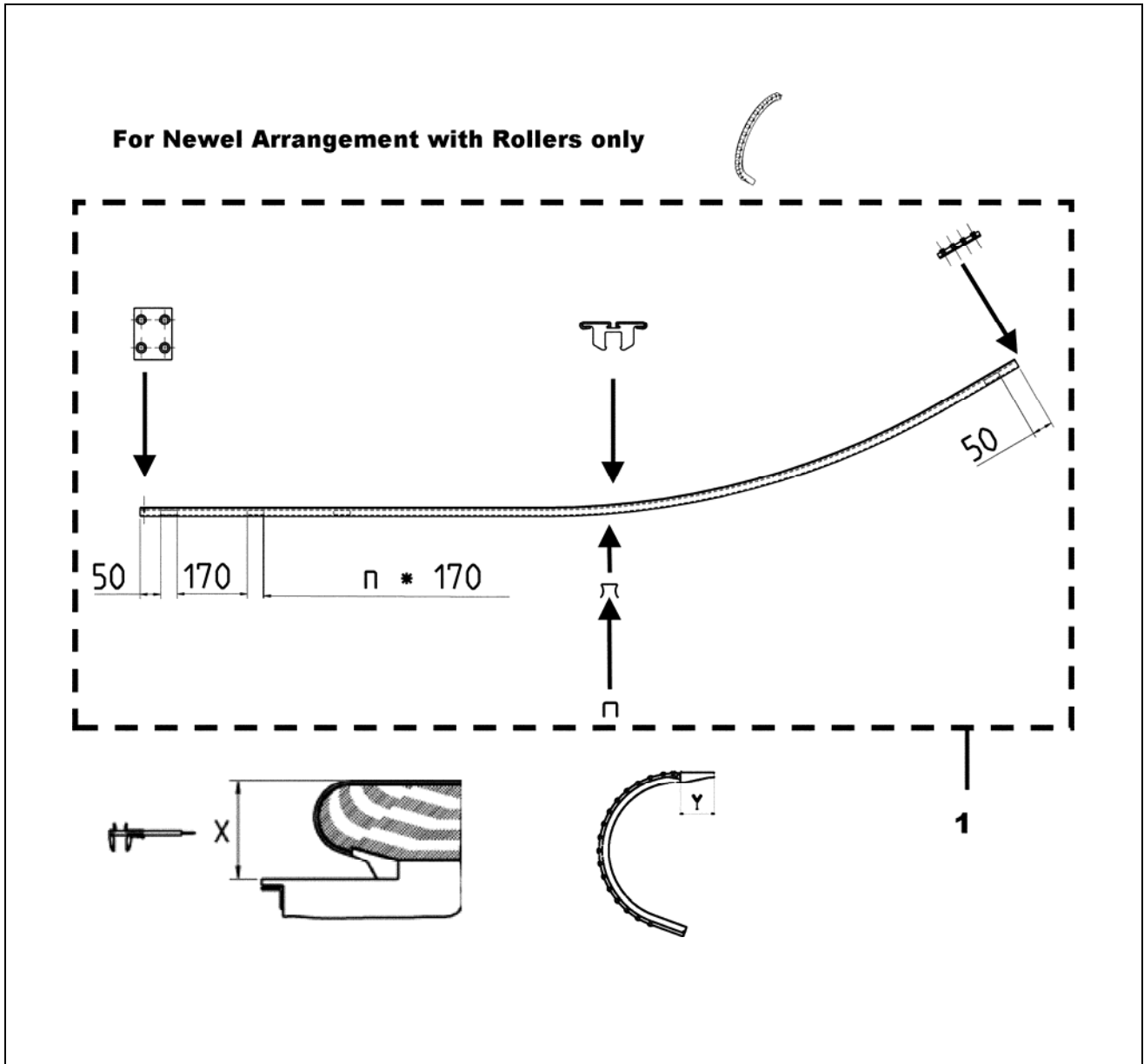


REF. No.	VINTAGE	DESCRIPTION	X	Y	CODE	TYPE
1	GAA27078K13	Handrail Guide complete	930	140.4	30°, EN 115	
	GAA27078K14	Handrail Guide complete	930		35°, EN 115	
	GAA27078K15	Handrail Guide complete	1000		30°, EN 115	
	GAA27078K16	Handrail Guide complete	1000		35°, EN 115	
	GAA27078K17	Handrail Guide complete	1000		30°, ASME A17,1-1996 / B44	

For Newel Arrangement with Rollers only

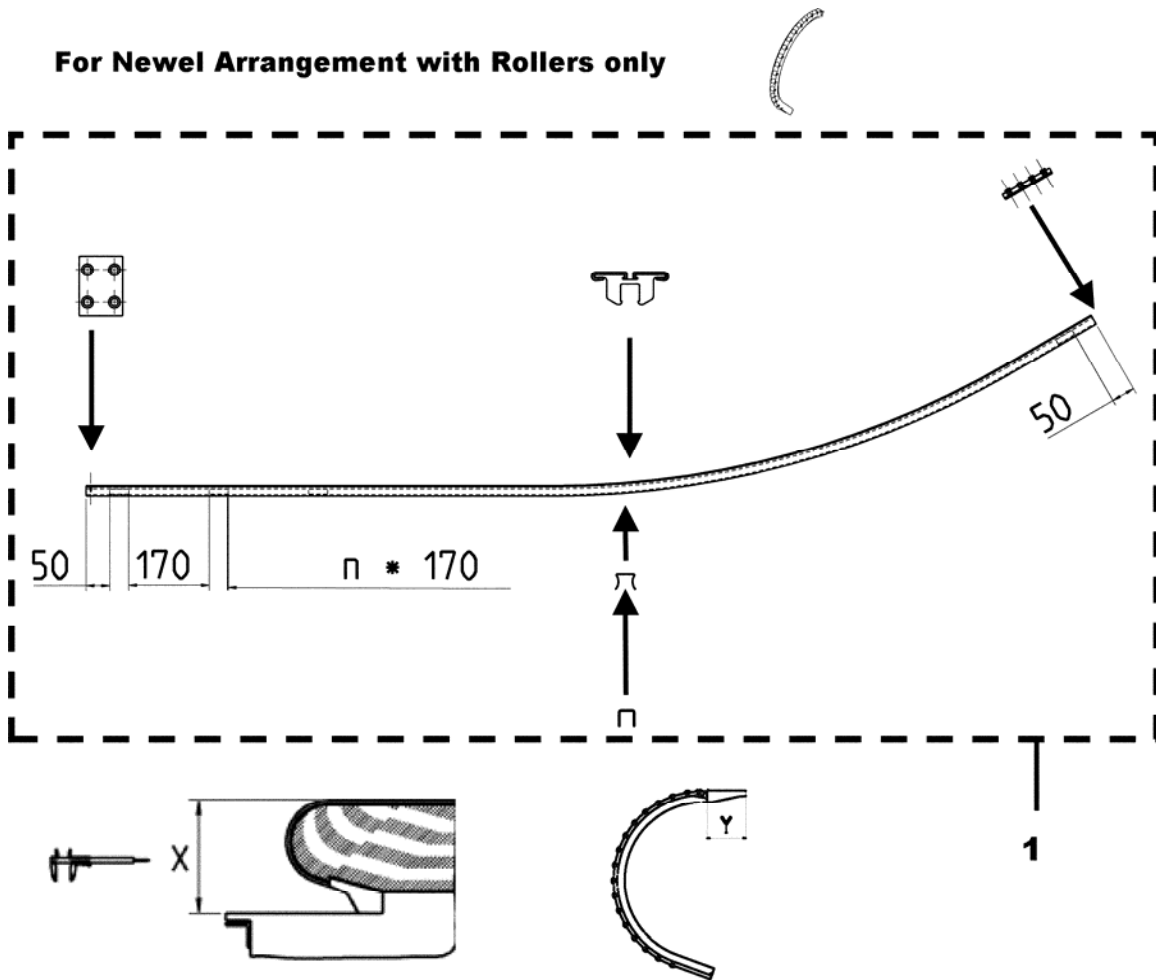



REF. No.	VINTAGE PART No.	DESCRIPTION	X	Y	CODE	TYPE
1	GAA27078K18	Handrail Guide complete	930	140.4	30°, EN 115	
	GAA27078K19	Handrail Guide complete	930		35°, EN 115	
	GAA27078K20	Handrail Guide complete	1000		30°, EN 115	
	GAA27078K21	Handrail Guide complete	1000		35°, EN 115	
	GAA27078K22	Handrail Guide complete	1000		30°, ASME A17,1-1996 / B44	



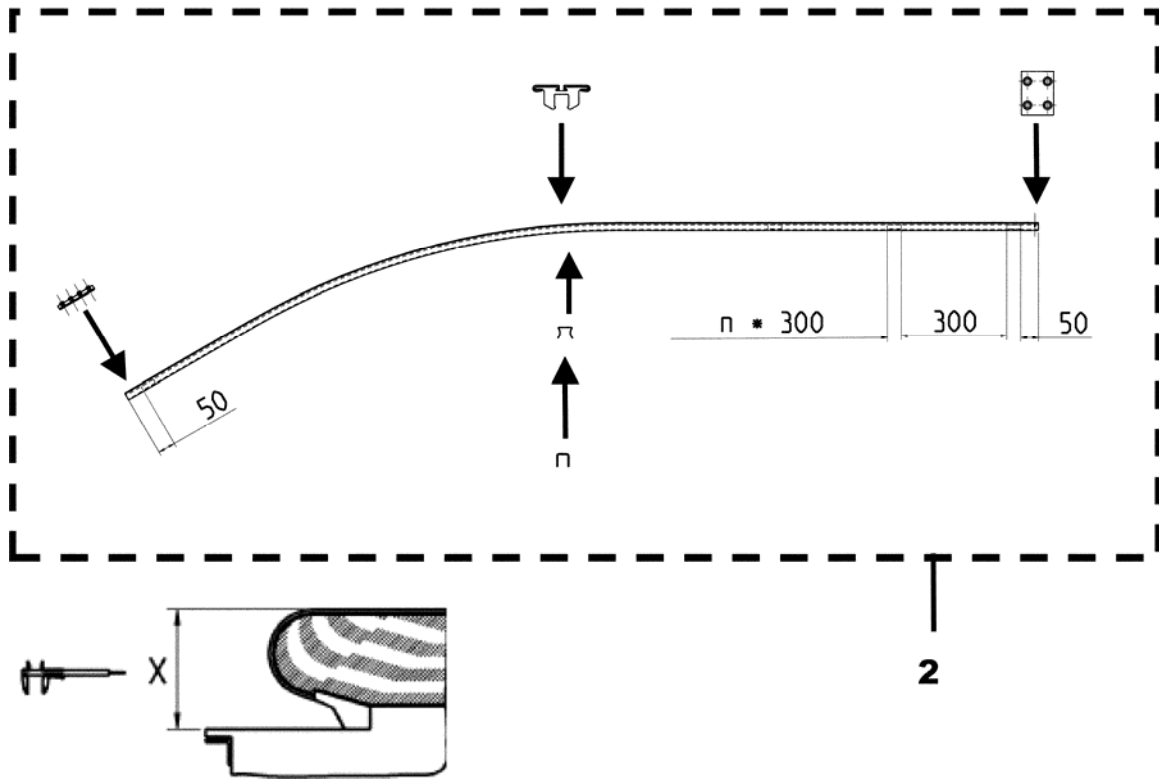
VINTAGE						
REF. No.	PART No.	DESCRIPTION	X	Y	CODE	TYPE
1	GAA27078K23	Handrail Guide complete	930	60	30°, EN 115	
	GAA27078K24	Handrail Guide complete	930		35°, EN 115	
	GAA27078K25	Handrail Guide complete	1000		30°, EN 115	
	GAA27078K26	Handrail Guide complete	1000		35°, EN 115	
	GAA27078K27	Handrail Guide complete	930		30°, ASME A17,1-2000 / B44	

For Newel Arrangement with Rollers only



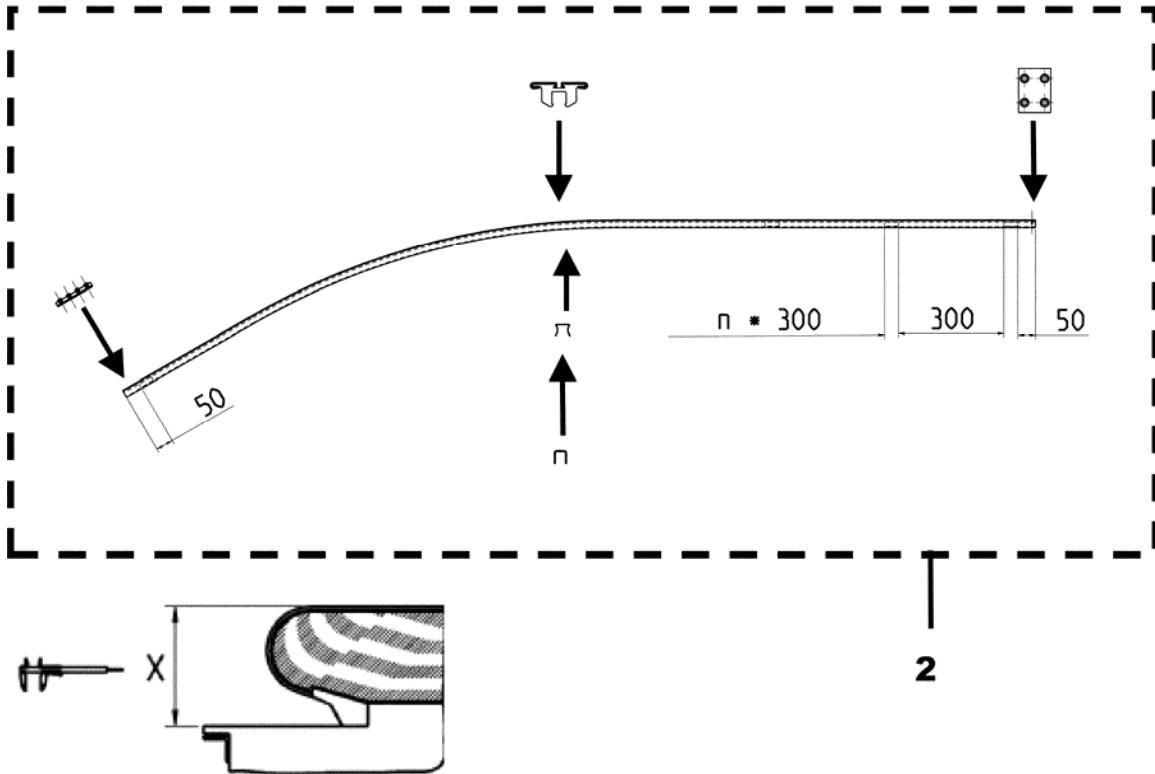
VINTAGE						
REF. No.	PART No.	DESCRIPTION	X	Y	CODE	TYPE
1	GAA27078K28	Handrail Guide complete	930	60	30°, EN 115	
	GAA27078K29	Handrail Guide complete	930		35°, EN 115	
	GAA27078K30	Handrail Guide complete	1000		30°, EN 115	
	GAA27078K31	Handrail Guide complete	1000		35°, EN 115	
	GAA27078K32	Handrail Guide complete	930		30°, ASME A17,1-2000 / B44	

For Newel Arrangement with Plastic Sliding Profiles only



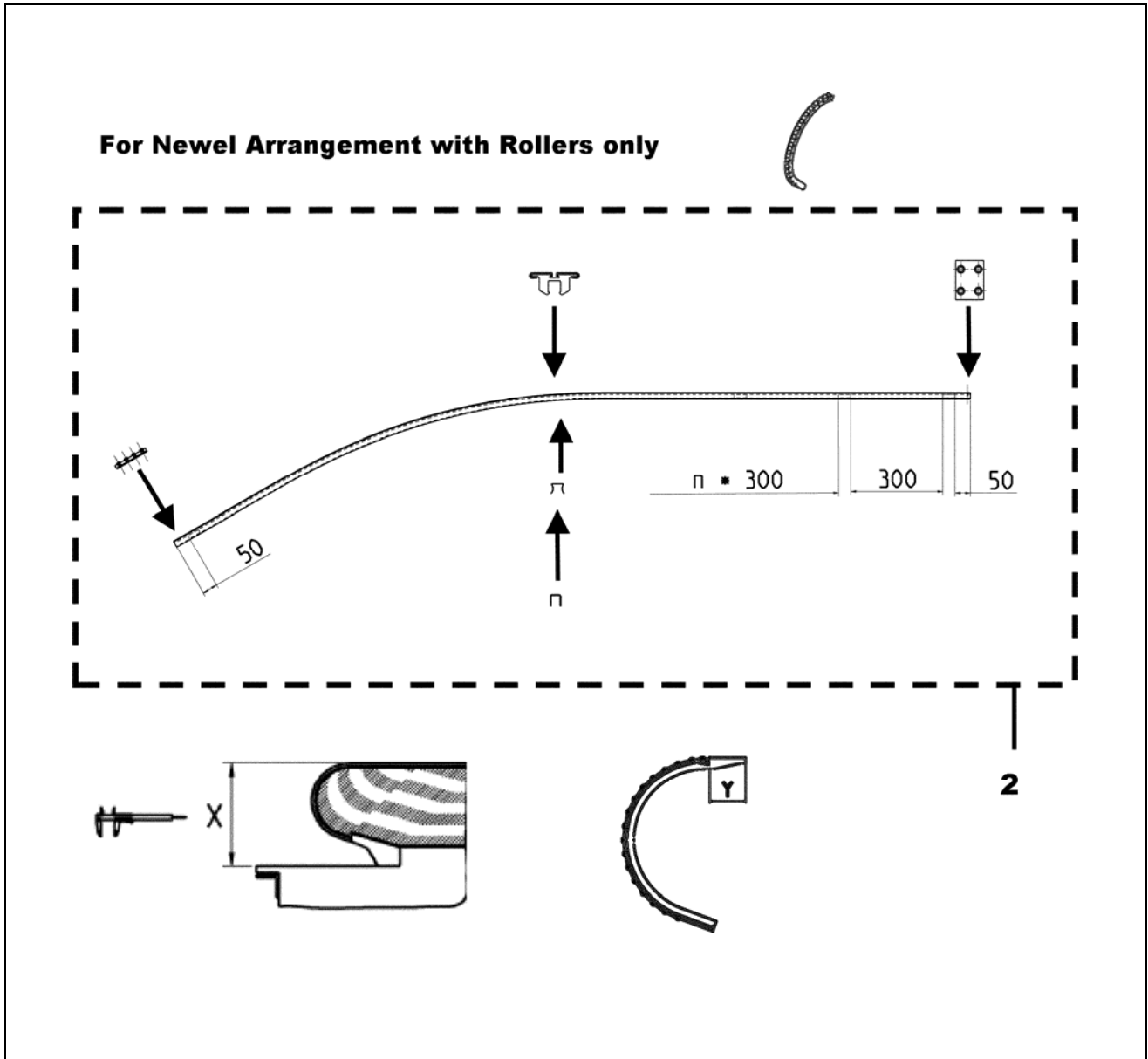
REF. No.	VINTAGE	PART No.	DESCRIPTION	X	CODE	TYPE
2		GAA27078K33	Handrail Guide complete	930	30°, EN 115	
		GAA27078K34	Handrail Guide complete	930	35°, EN 115	
		GAA27078K35	Handrail Guide complete	1000	30°, EN 115	
		GAA27078K36	Handrail Guide complete	1000	35°, EN 115	
		GAA27078K37	Handrail Guide complete	1000	30°, ASME A17,1-1996 / B44	
		GAA27078K38	Handrail Guide complete	930	30°, ASME A17,1-2000 / B44	

For Newel Arrangement with Plastic Sliding Profiles only



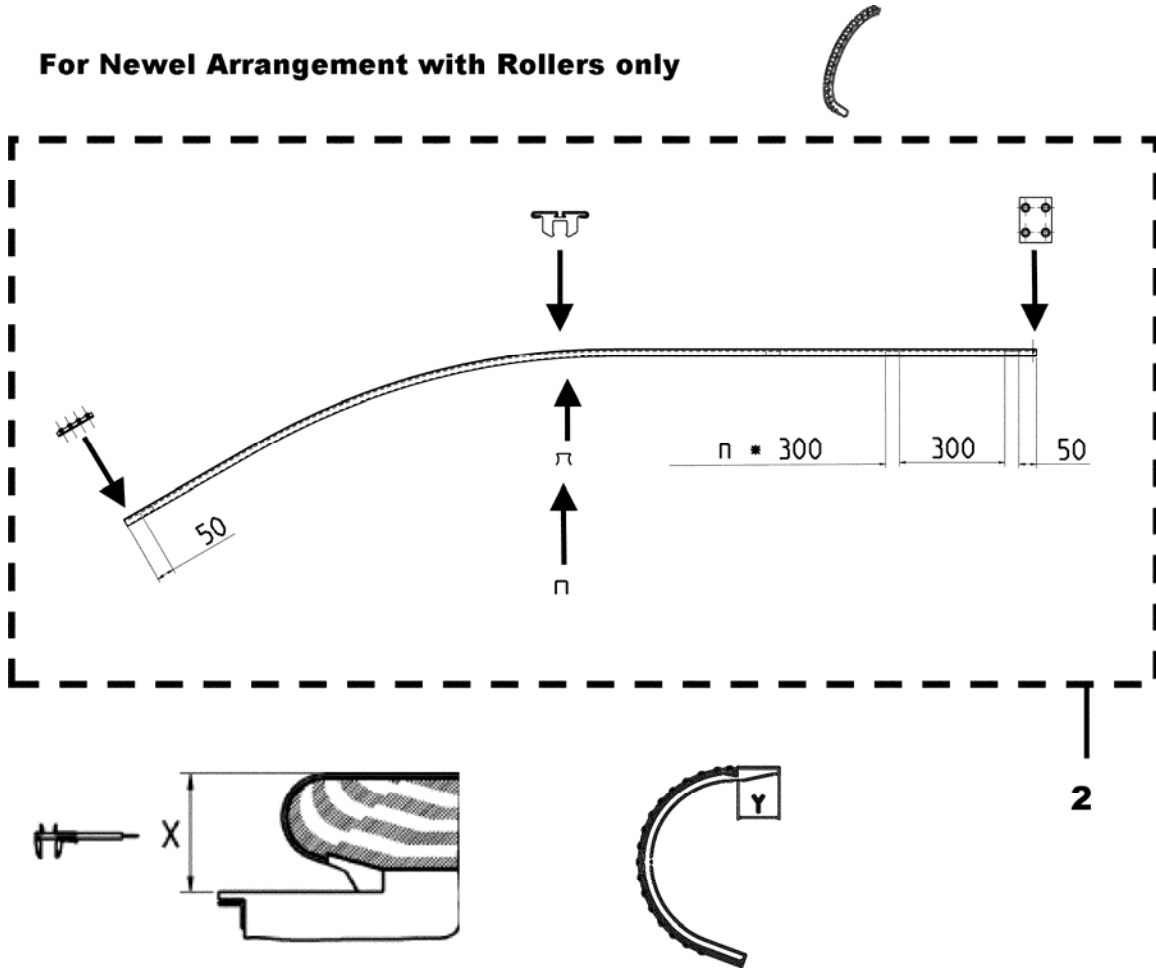
2


VINTAGE					
REF. No.	PART No.	DESCRIPTION	X	CODE	TYPE
2	GAA27078K39	Handrail Guide complete	930	30°, EN 115	
	GAA27078K40	Handrail Guide complete	930	35°, EN 115	
	GAA27078K41	Handrail Guide complete	1000	30°, EN 115	
	GAA27078K42	Handrail Guide complete	1000	35°, EN 115	
	GAA27078K43	Handrail Guide complete	1000	30°, ASME A17,1-1996 / B44	
	GAA27078K44	Handrail Guide complete	930	30°, ASME A17,1-2000 / B44	

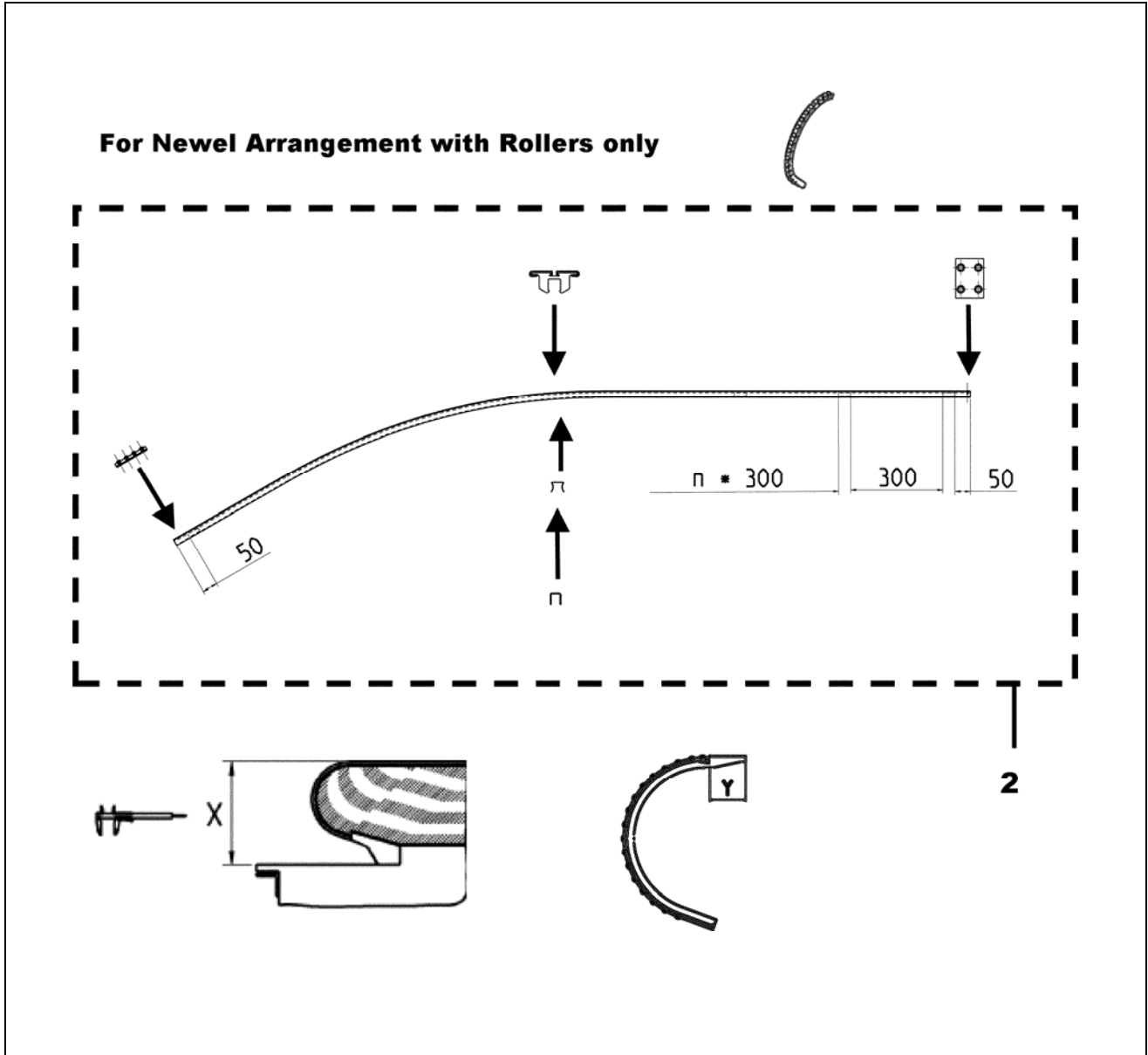


REF. No.	VINTAGE	DESCRIPTION	X	Y	CODE	TYPE
2	GAA27078K45	Handrail Guide complete	930	140.4	30°, EN 115	
	GAA27078K46	Handrail Guide complete	930		35°, EN 115	
	GAA27078K47	Handrail Guide complete	1000		30°, EN 115	
	GAA27078K48	Handrail Guide complete	1000		35°, EN 115	
	GAA27078K49	Handrail Guide complete	1000		30°, ASME A17,1-1996 / B44	

For Newel Arrangement with Rollers only

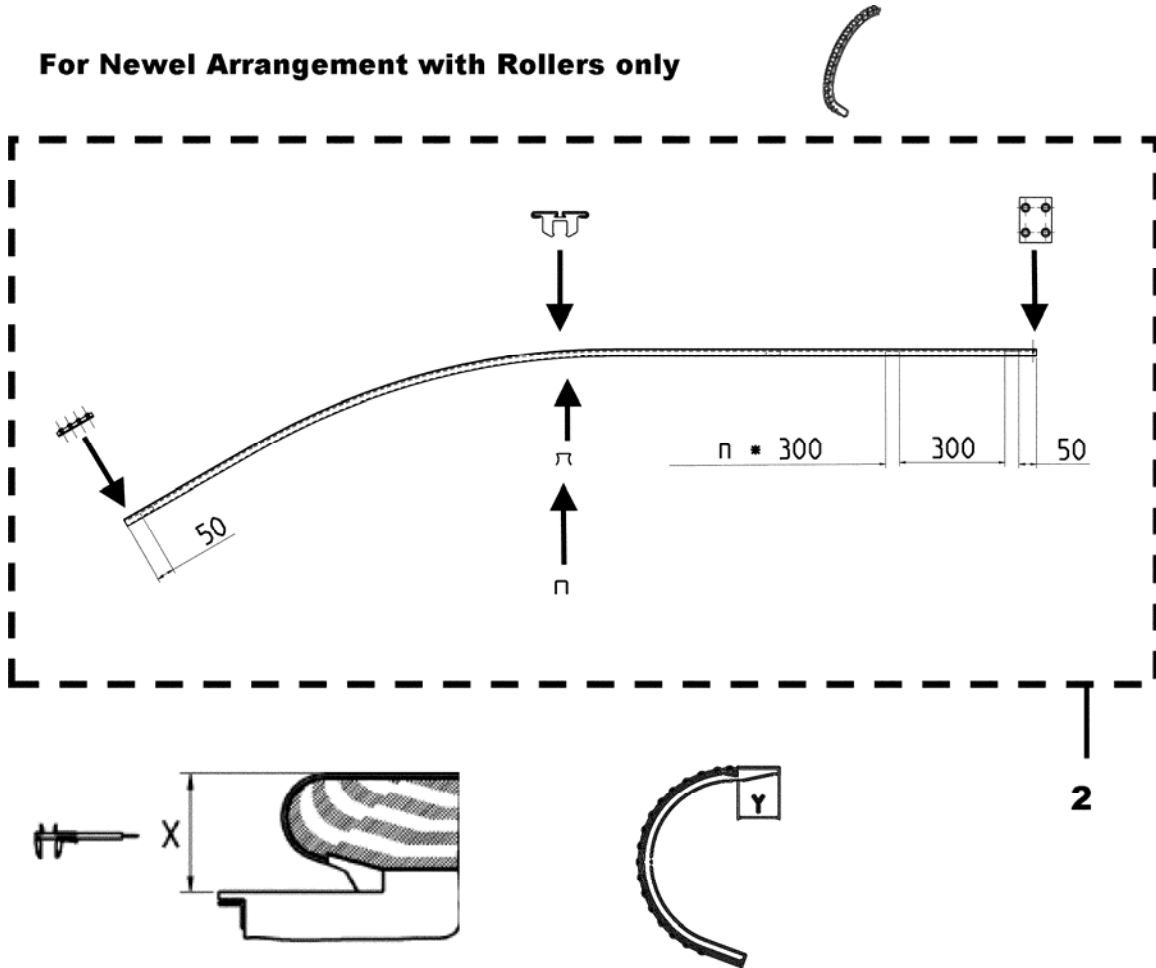



REF. No.	VINTAGE PART No.	DESCRIPTION	X	Y	CODE	TYPE
2	GAA27078K50	Handrail Guide complete	930	140.4	30°, EN 115	
	GAA27078K51	Handrail Guide complete	930		35°, EN 115	
	GAA27078K52	Handrail Guide complete	1000		30°, EN 115	
	GAA27078K53	Handrail Guide complete	1000		35°, EN 115	
	GAA27078K54	Handrail Guide complete	1000		30°, ASME A17,1-1996 / B44	



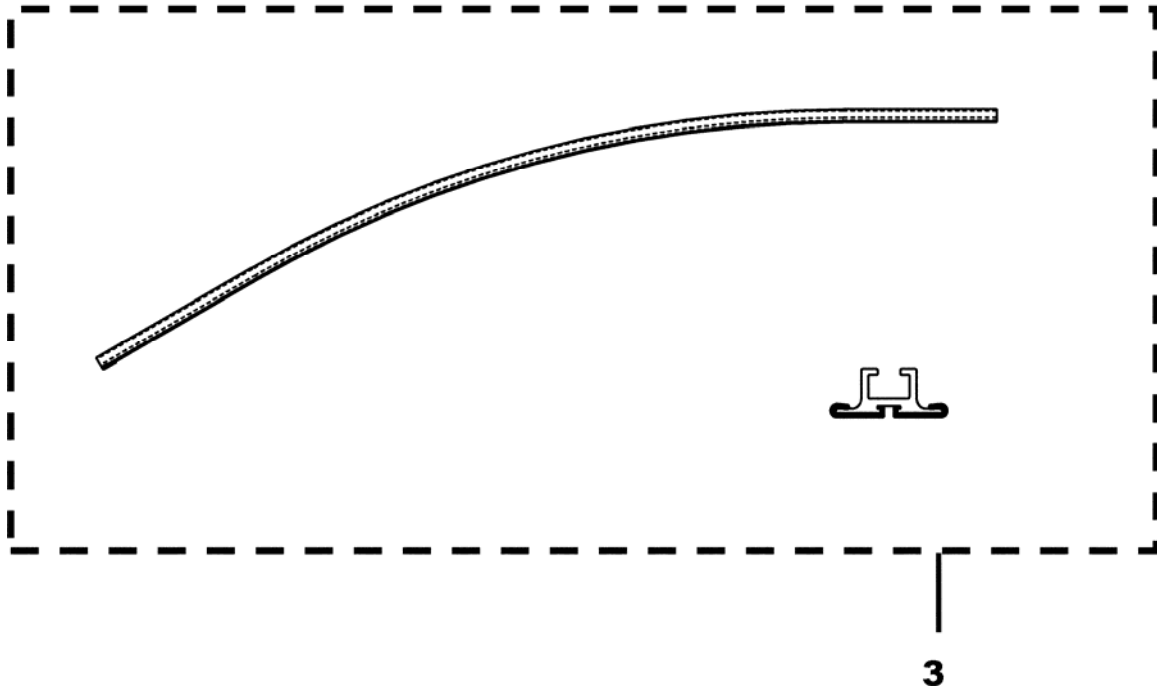
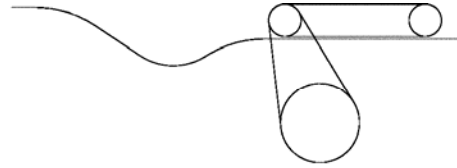
VINTAGE						
REF. No.	PART No.	DESCRIPTION	X	Y	CODE	TYPE
2	GAA27078K55	Handrail Guide complete	930	60	30°, EN 115	
	GAA27078K56	Handrail Guide complete	930		35°, EN 115	
	GAA27078K57	Handrail Guide complete	1000		30°, EN 115	
	GAA27078K58	Handrail Guide complete	1000		35°, EN 115	
	GAA27078K59	Handrail Guide complete	930		30°, ASME A17,1-2000 / B44	

For Newel Arrangement with Rollers only



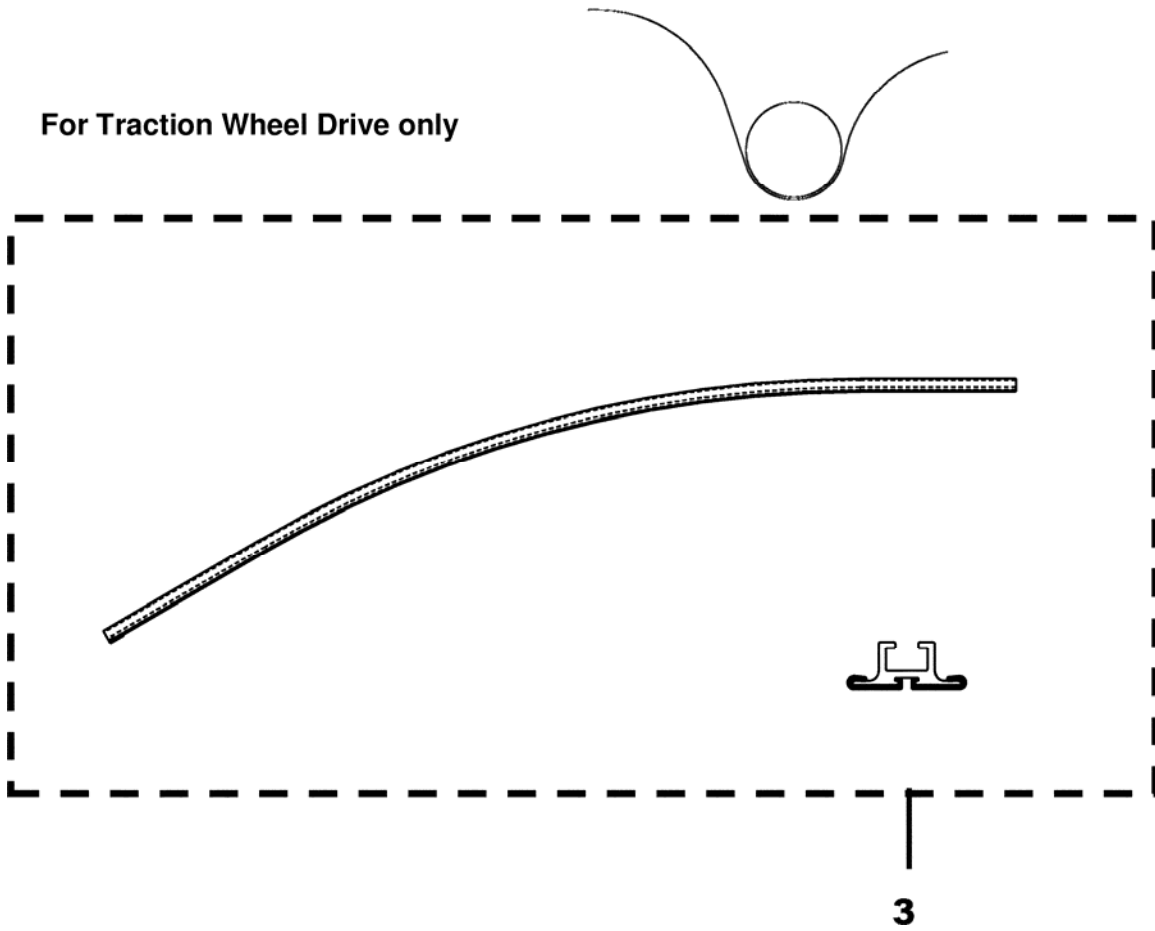
REF. No.	VINTAGE	DESCRIPTION	X	Y	CODE	TYPE
2	GAA27078K60	Handrail Guide complete	930	60	30°, EN 115	
	GAA27078K61	Handrail Guide complete	930		35°, EN 115	
	GAA27078K62	Handrail Guide complete	1000		30°, EN 115	
	GAA27078K63	Handrail Guide complete	1000		35°, EN 115	
	GAA27078K64	Handrail Guide complete	930		30°, ASME A17,1-2000 / B44	

For Linear Belt Drive only

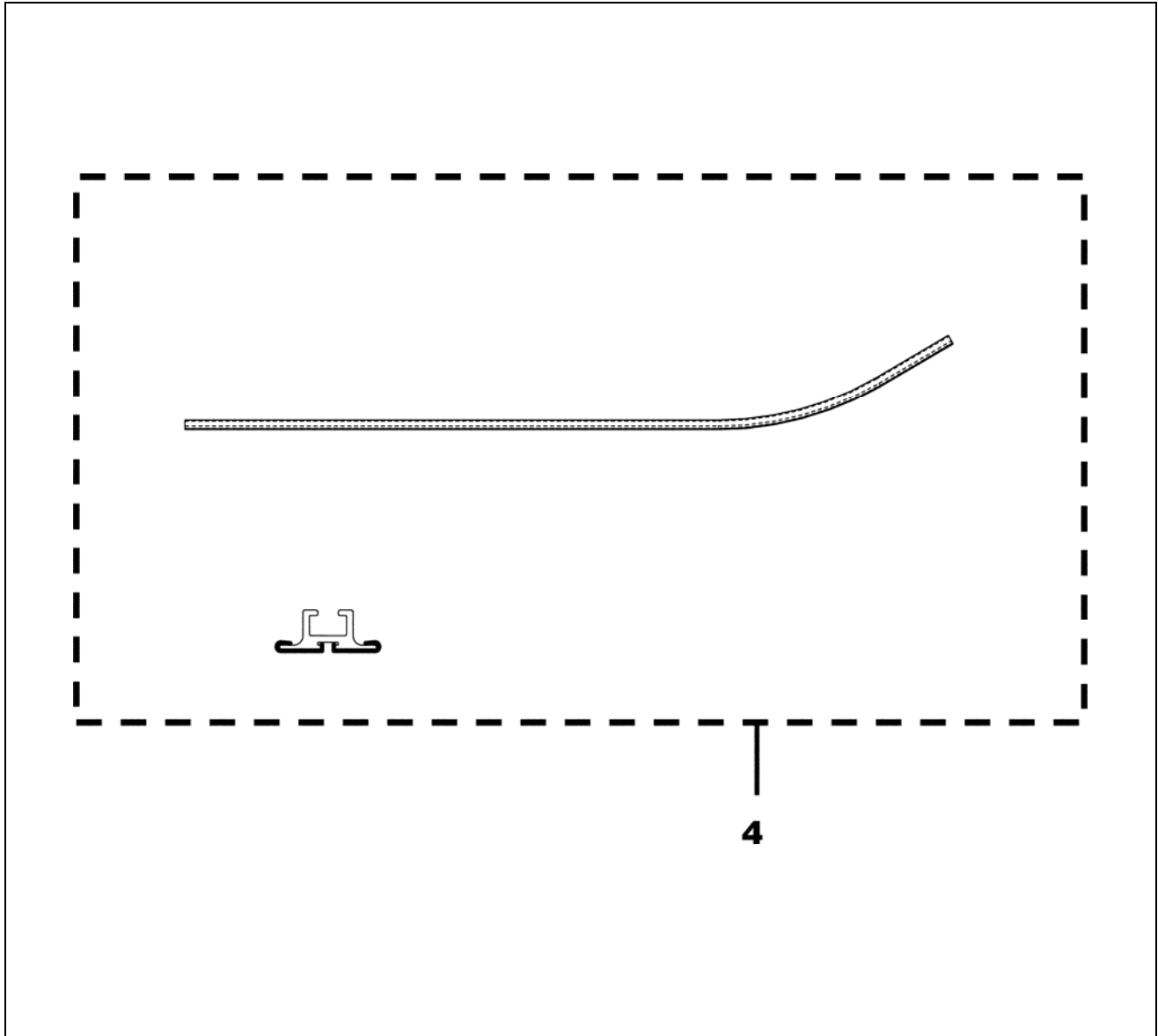


	VINTAGE			
REF. No.	PART No.	DESCRIPTION	CODE	TYPE
3	GAA27078K65	Handrail Guide complete	30°, EN 115	
	GAA27078K66	Handrail Guide complete	35°, EN 115	
	GAA27078K67	Handrail Guide complete	30°, ASME A17,1 / B44	
	GAA27078K68	Handrail Guide complete	35°, EN 115	
	GAA27078K69	Handrail Guide complete	30°, EN 115	
	GAA27078K70	Handrail Guide complete	30°, ASME A17,1 / B44	

For Traction Wheel Drive only

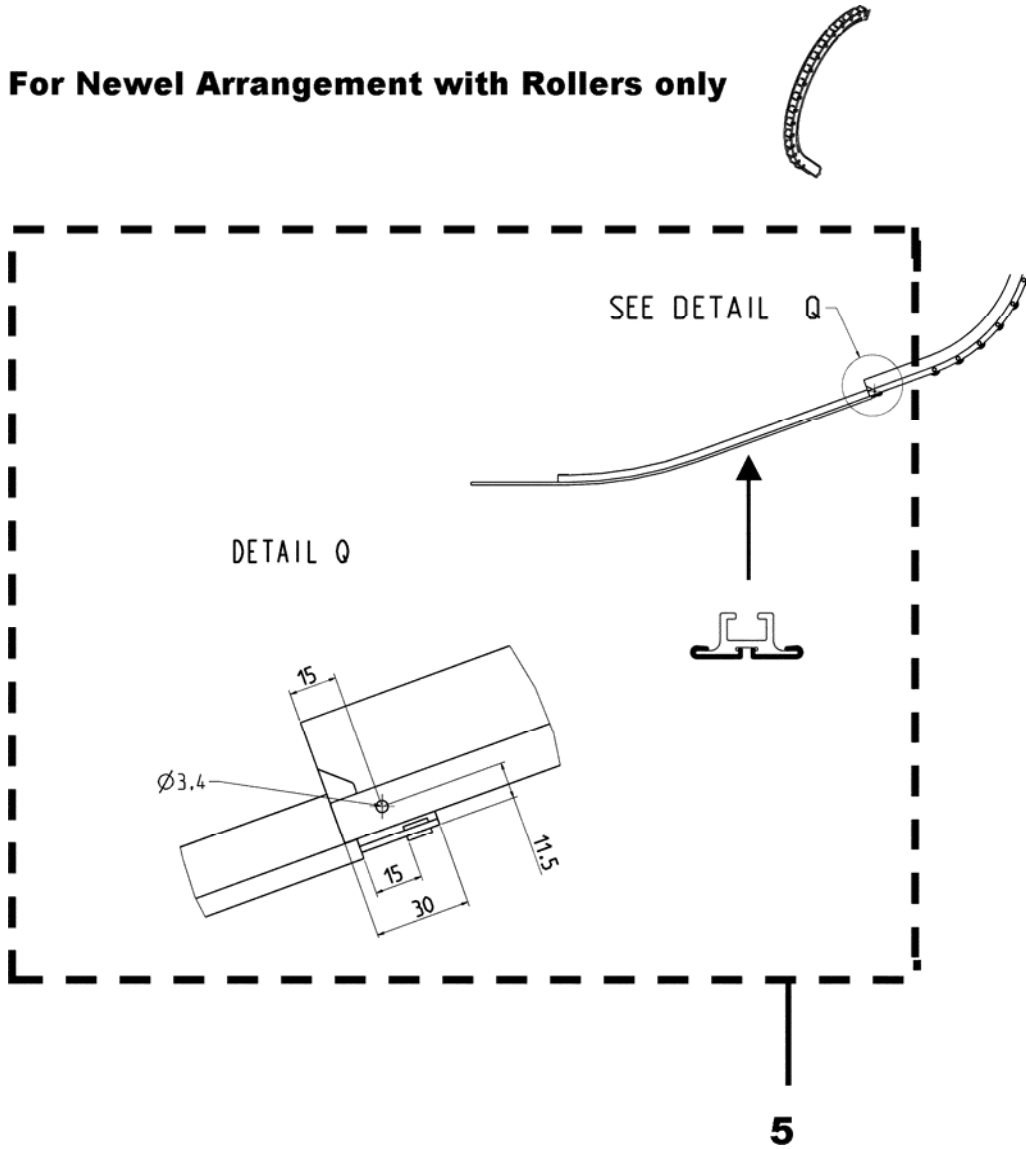


VINTAGE				
REF. No.	PART No.	DESCRIPTION	CODE	TYPE
3	GAA27078K71	Handrail Guide complete	30°, EN 115	
	GAA27078K72	Handrail Guide complete	35°, EN 115	
	GAA27078K73	Handrail Guide complete	30°, ASME A17,1 / B44	
	GAA27078K74	Handrail Guide complete	35°, EN 115	
	GAA27078K75	Handrail Guide complete	30°, EN 115	
	GAA27078K76	Handrail Guide complete	30°, ASME A17,1 / B44	



VINTAGE				
REF. No.	PART No.	DESCRIPTION	CODE	TYPE
4	GAA27078K77	Handrail Guide complete	30°, EN 115	
	GAA27078K78	Handrail Guide complete	35°, EN 115	
	GAA27078K79	Handrail Guide complete	30°, ASME A17,1 / B44	
	GAA27078K80	Handrail Guide complete	35°, EN 115	
	GAA27078K81	Handrail Guide complete	30°, EN 115	
	GAA27078K82	Handrail Guide complete	30°, ASME A17,1 / B44	

For Newel Arrangement with Rollers only



REF. No.	VINTAGE PART No.	DESCRIPTION
5	GAA27078K83	Handrail Guide complete