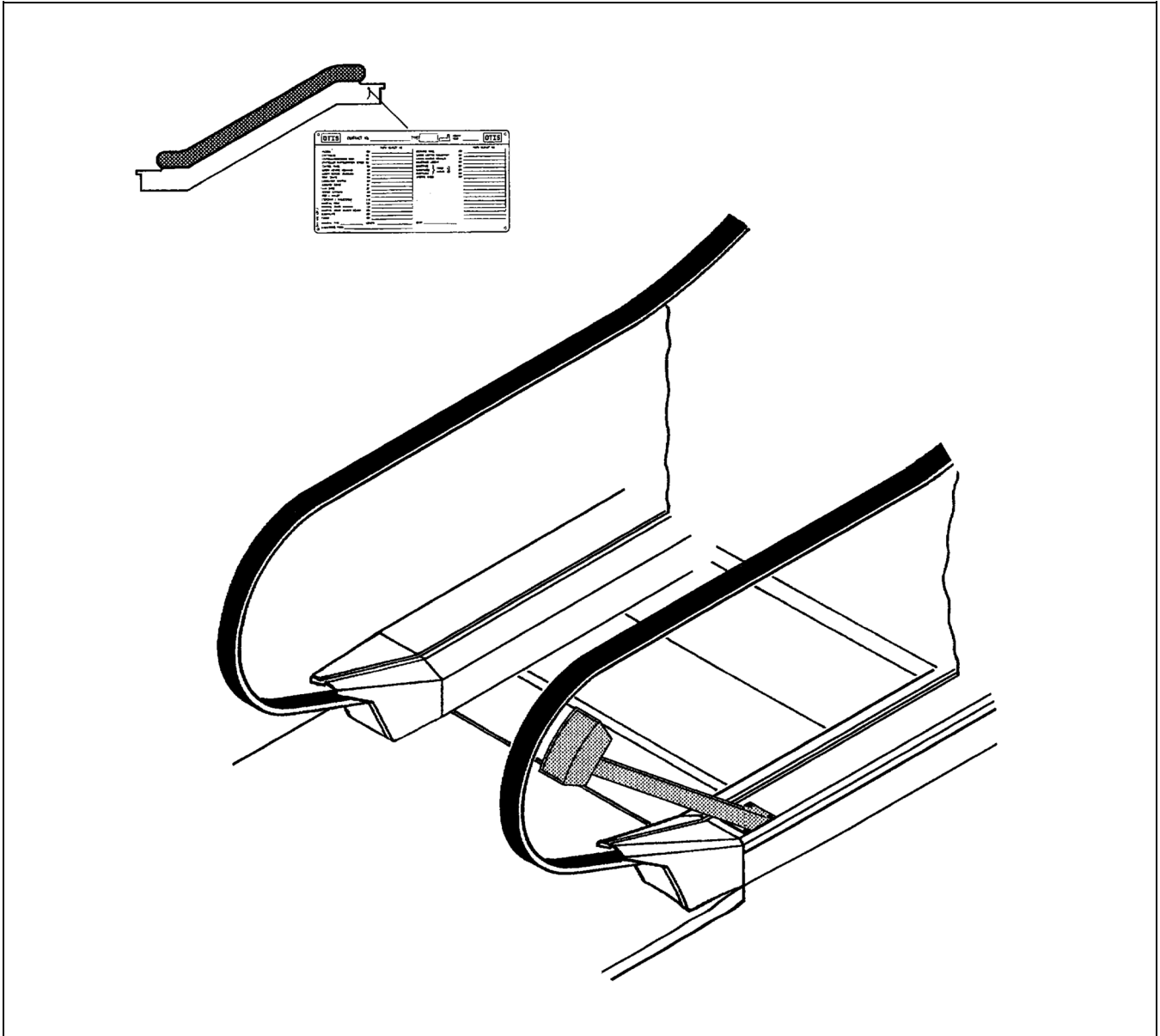


Parts Leaflet

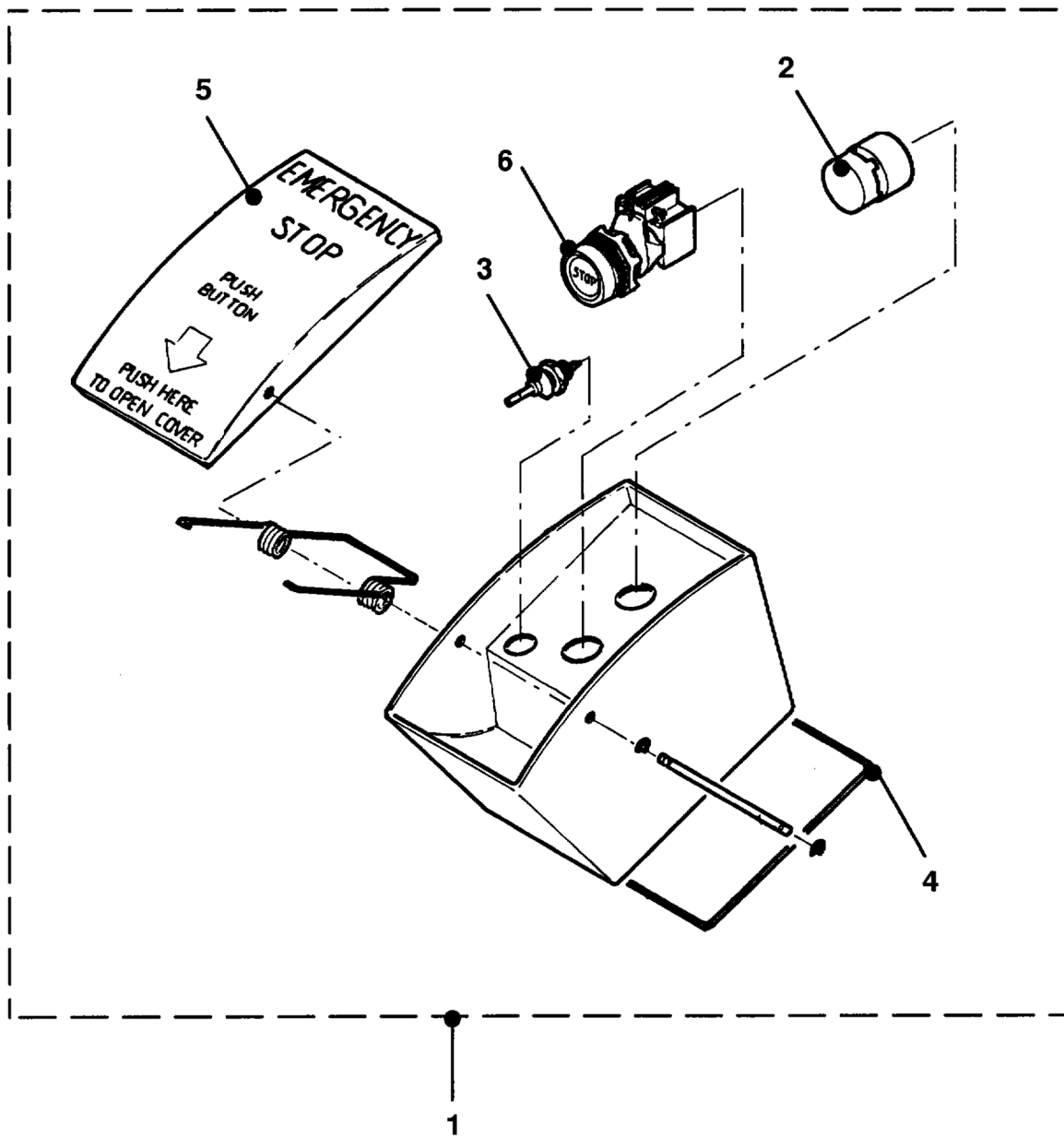
DATE: NOVEMBER 1998 Page 1/2

**ESCALATOR 506 NCE
CODE: ASME A17.1
EMERGENCY STOP BUTTON
AND ALARM FIXTURE**

*** 57-GO 308 HL**



OTIS



GO 308 HL		
REF. NO.	PART OR M.L.	DESCRIPTION
1	GO 308 HL 1	Stop box compl.
2	GAA 269 V 1	Buzzer
3	—	Buzzer switch—(176933)
4	—	O-Ring —(176941)
5	GO 308 HL 4	Cover
6	GOA 323 AJ 1	Stop button, red