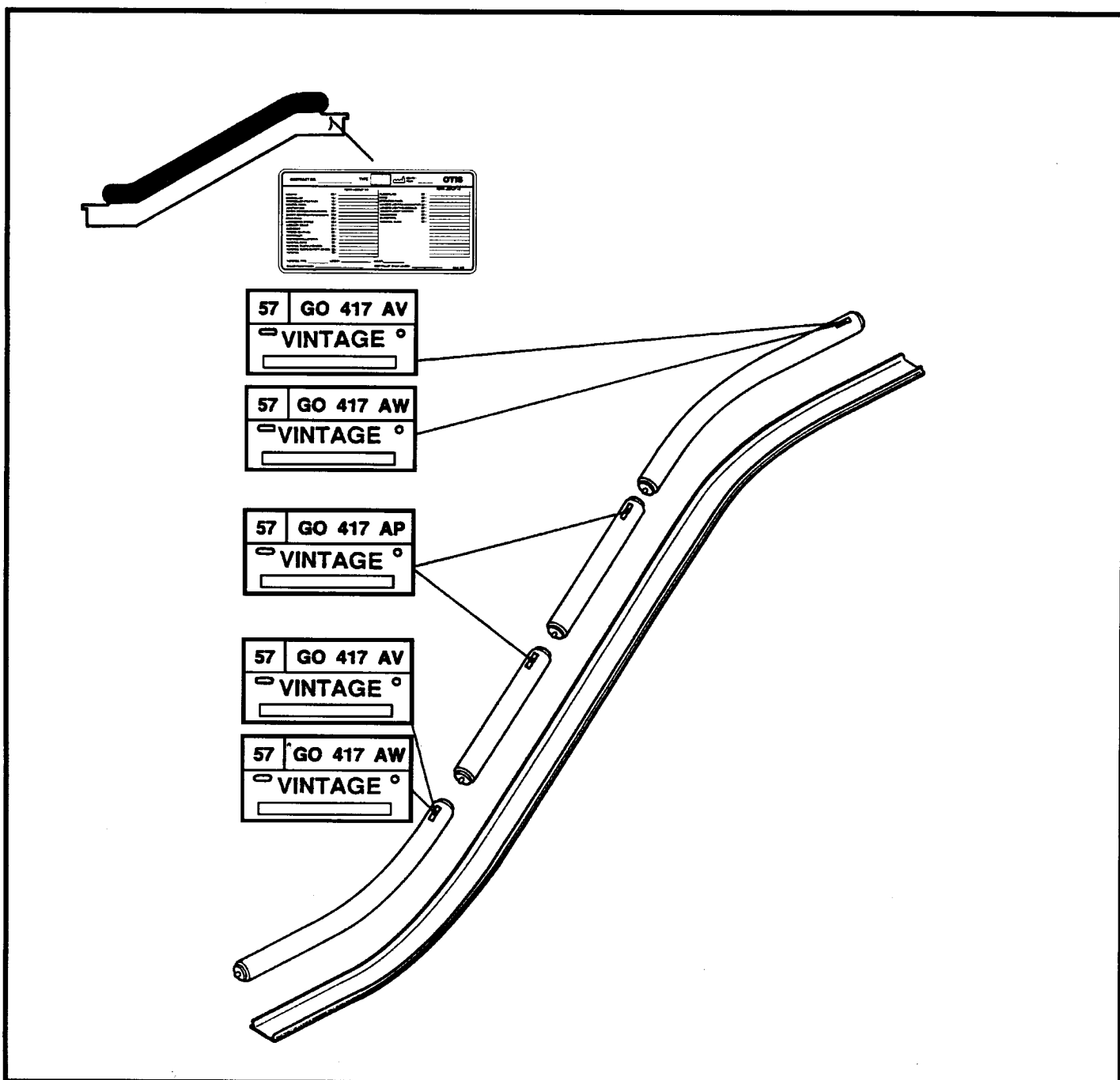


ESCALATOR 506 SKIRT PANEL LIGHTING

★ 57-GO 417 AP



OTIS

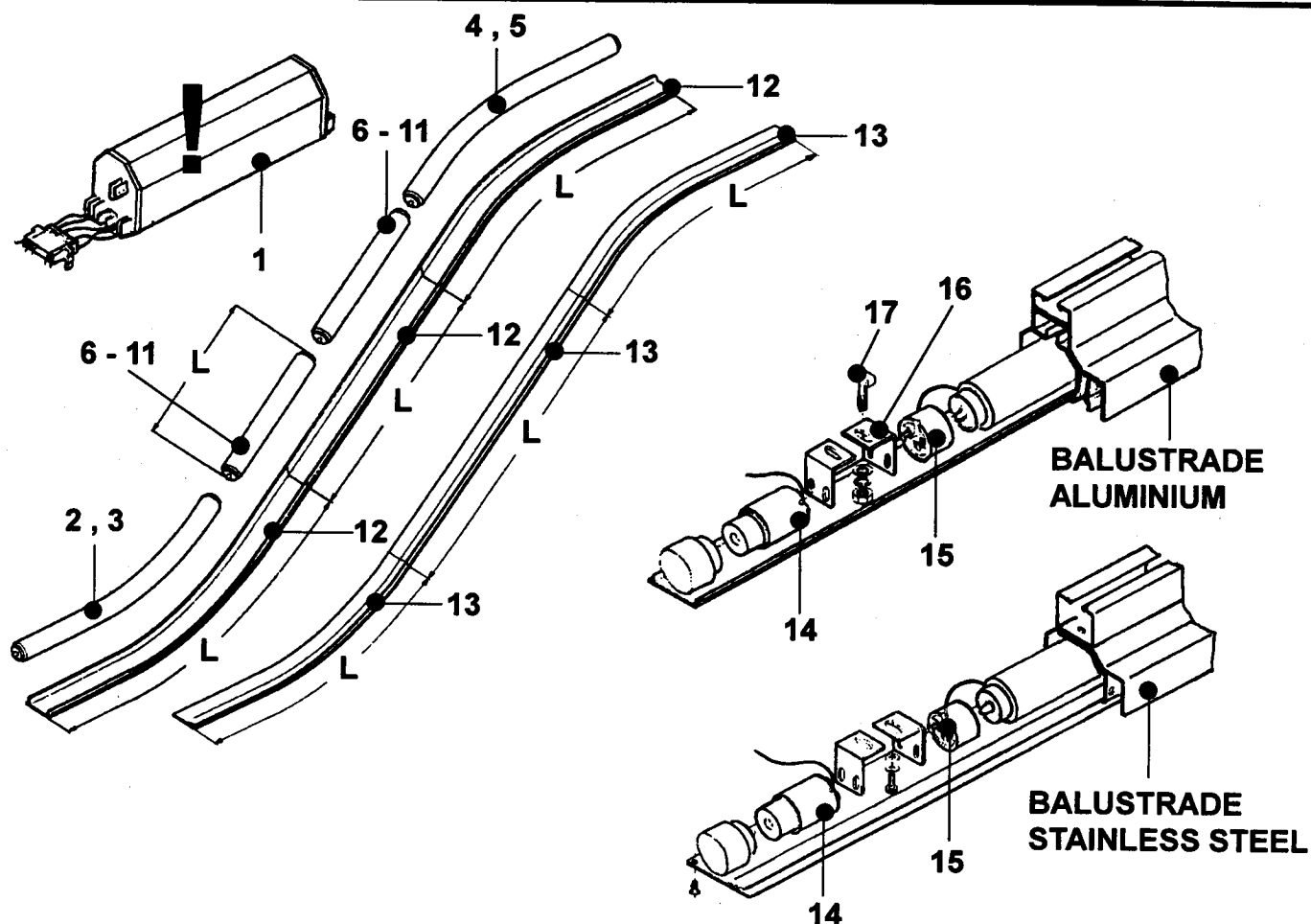
ESCALATOR 506 BALUSTRADE LIGHTING

★ 57

GO 417 AP

DATE: APRIL 2000

PAGE: 2/3



REF.NO.	PART OR M.L.	DESCRIPTION
1	9701 EH 13	Transformer
2	GO 417 AV 1	Fluorescent lamp for esc. 30°
3	GO 417 AW 1	Fluorescent lamp for esc. 35°
4	GO 417 AV 2	Fluorescent lamp for esc. 30°
5	GO 417 AW 2	Fluorescent lamp for esc. 35°
6	GO 417 AP 1	Fluorescent lamp L = 1000 mm
7	GO 417 AP 2	Fluorescent lamp L = 1100 mm
8	GO 417 AP 3	Fluorescent lamp L = 1175 mm
9	GO 417 AP 4	Fluorescent lamp L = 1250 mm
10	GO 417 AP 5	Fluorescent lamp L = 1325 mm
11	GO 417 AP 6	Fluorescent lamp L = 1400 mm
12	1S-GO 50 AAR	Cover L = mm
13	1S-GO 50 ABF	Cover L = mm
14	GO 6644 B 1	Tension socket
15	GO 6644 B 2	Socket
16	GO 283 AEF 1	Angle
17	GO 63 AD 1	T-Head screw M5

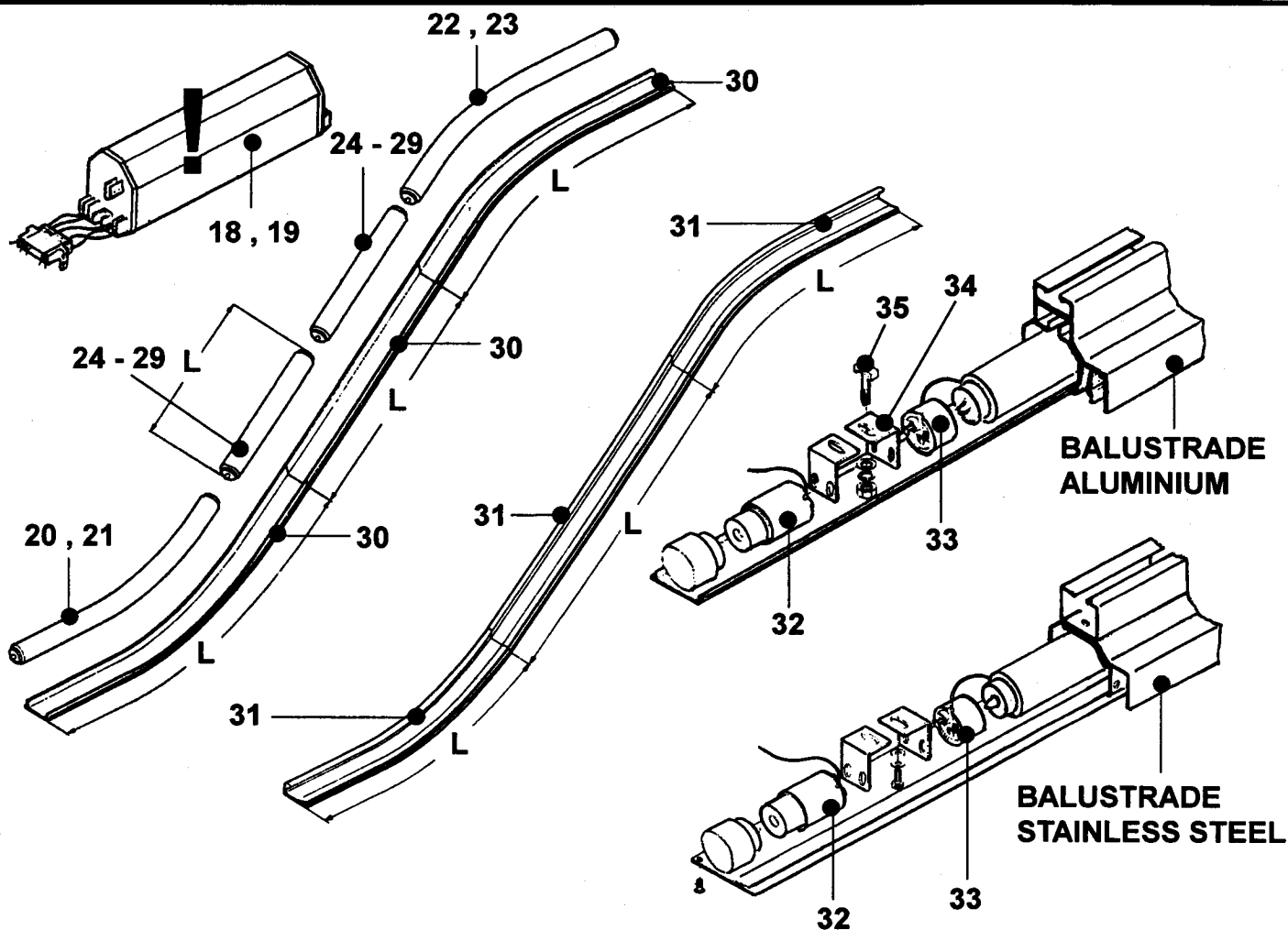
ESCALATOR 506 BALUSTRADE LIGHTING

★ 57

GO 417 AP

DATE: APRIL 2000

PAGE: 3/3



REF.NO.	PART OR M.L.	DESCRIPTION
18	GOA 225 CV 3	Transformer 50Hz/lprim.=0.55 A
19	GOA 225 CV 4	Transformer 60Hz/lprim.=0.6 A
20	GO 417 AV 3	Fluorescent lamp for esc. 30°
21	GO 417 AW 3	Fluorescent lamp for esc. 35°
22	GO 417 AV 4	Fluorescent lamp for esc. 30°
23	GO 417 AW 4	Fluorescent lamp for esc. 35°
24	GO 417 AP 7	Fluorescent lamp L = 1000 mm
25	GO 417 AP 8	Fluorescent lamp L = 1100 mm
26	GO 417 AP 9	Fluorescent lamp L = 1175 mm
27	GO 417 AP 10	Fluorescent lamp L = 1250 mm
28	GO 417 AP 11	Fluorescent lamp L = 1325 mm
29	GO 417 AP 12	Fluorescent lamp L = 1400 mm
30	1S-GO 50 AAR	Cover L = mm
31	1S-GOA 50 ABF	Cover L = mm
32	GO 6644 B 1	Tension socket
33	GO 6644 B 2	Socket
34	GO 283 AEF 1	Angle
35	GO 63 AD 1	T-Head screw M5