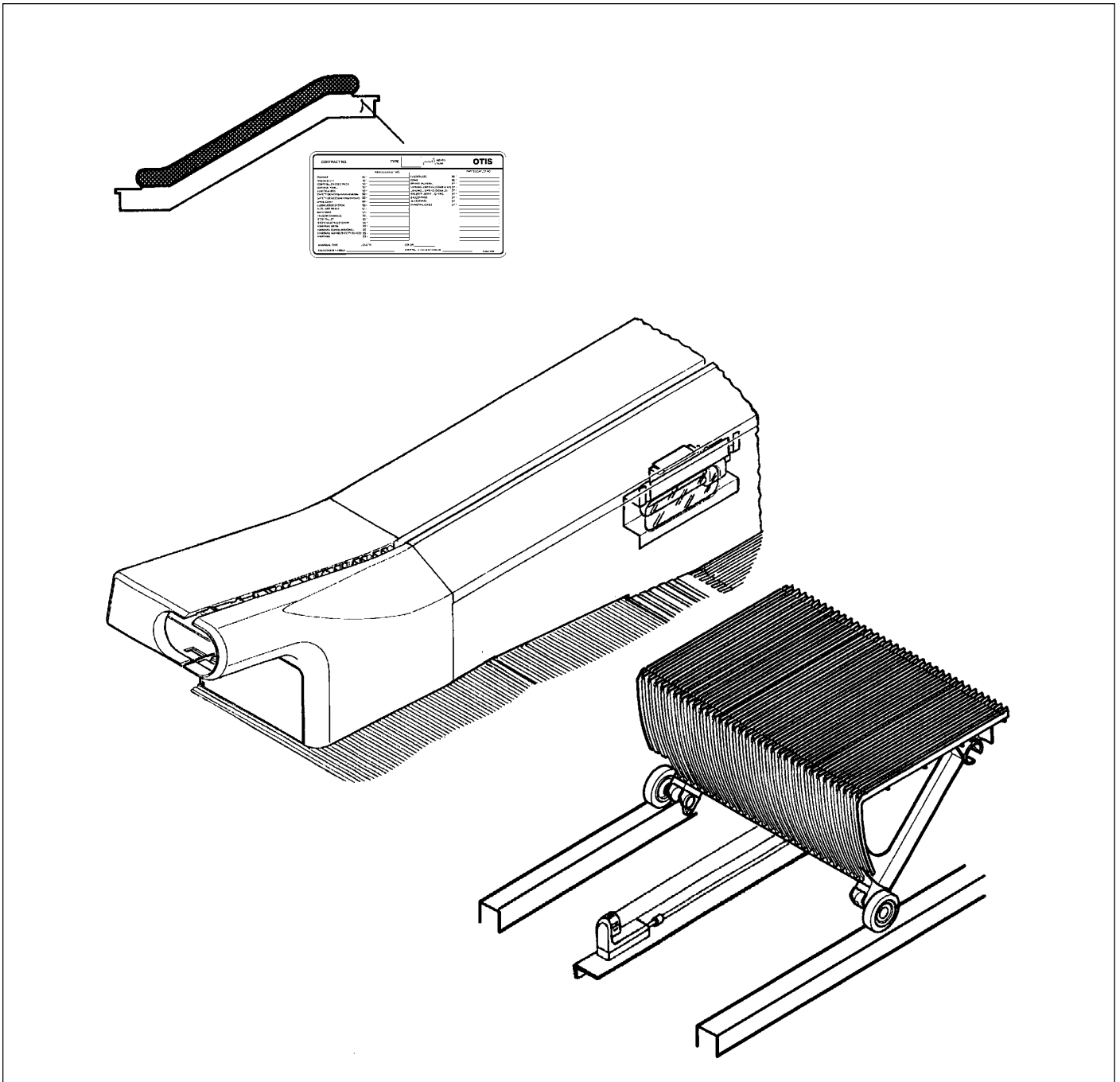


## Escalator Landing Signals Comb Light & Step Demarcation Light

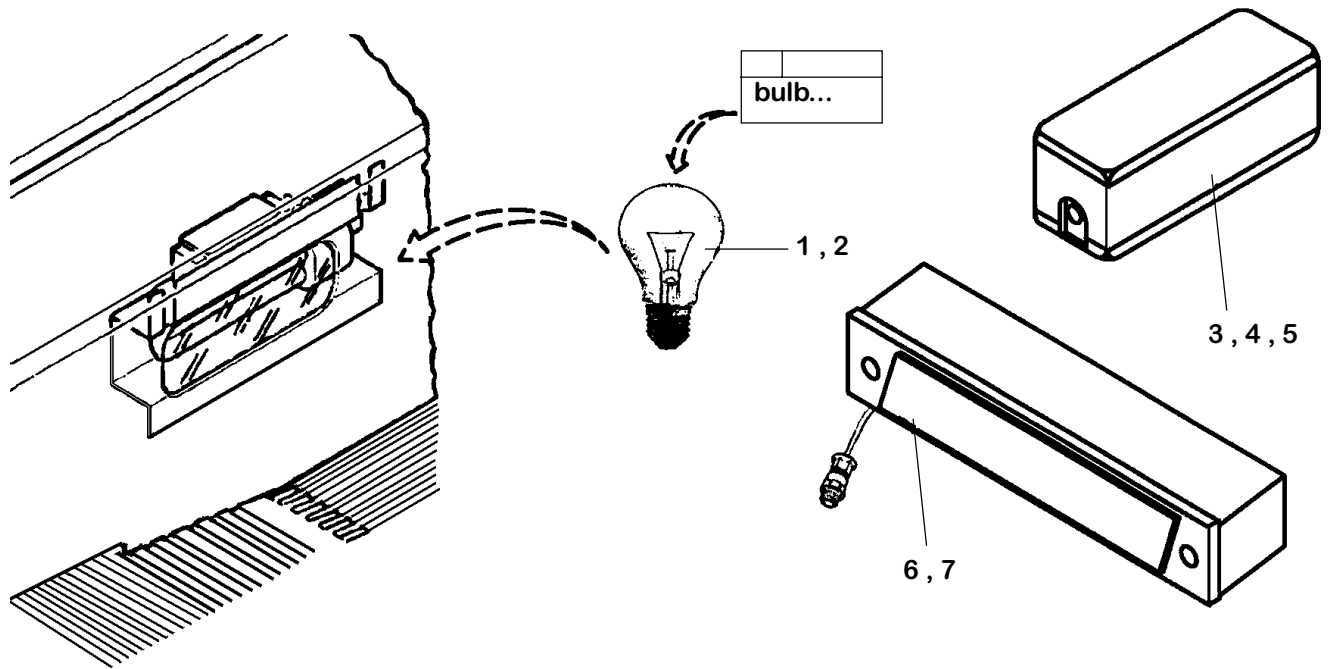
**57-G09703AY**



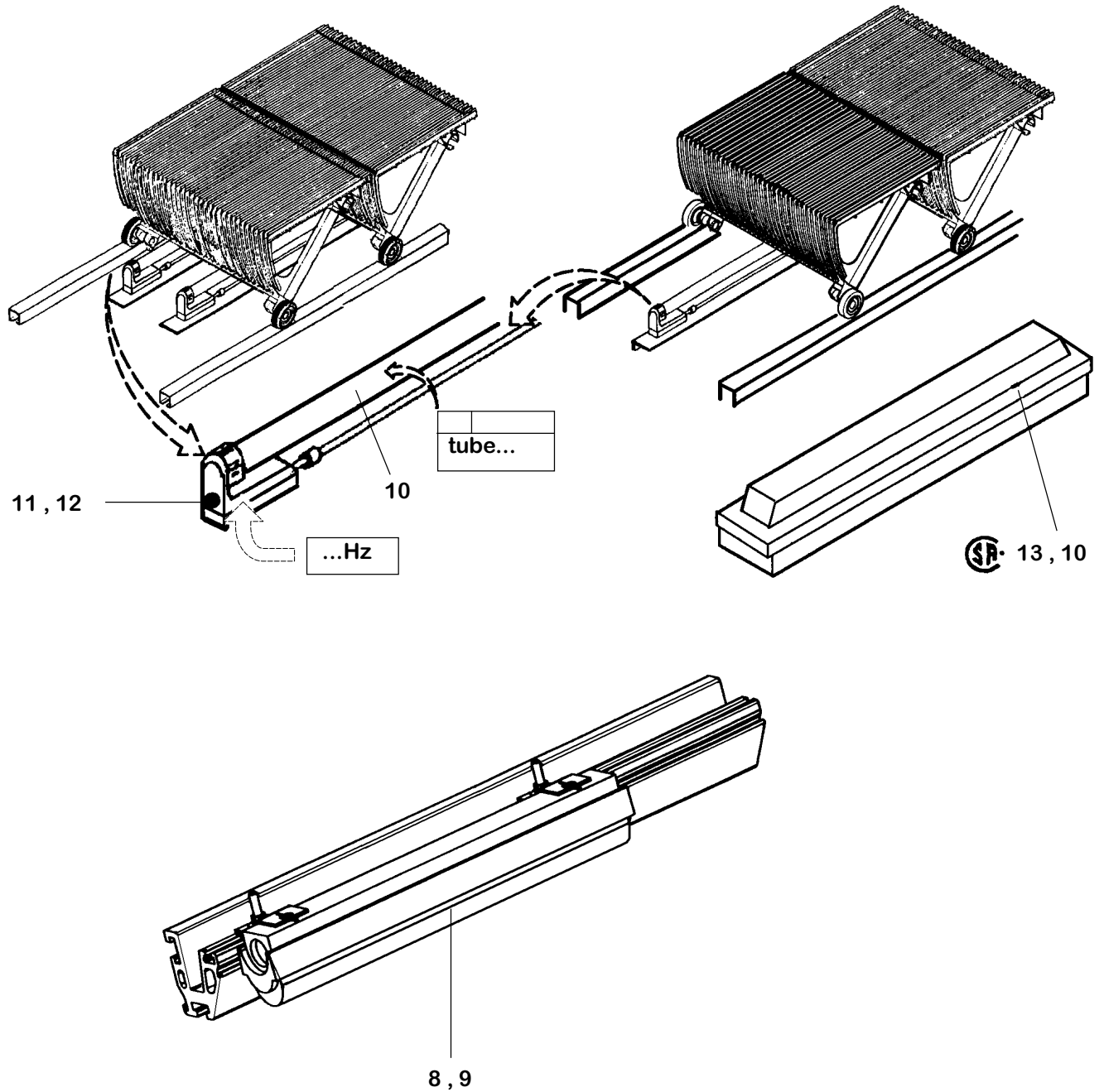
# OTIS

# Escalator Landing Signals Comb Light

**57-GO9703AY**  
APRIL 1,2002 PAGE: 2/3



GO9703AY		
REF.NO.	PART OR M.L.	DESCRIPTION
1	-----	Bulb,Osram Dulux S 9W/4      -(184762) (506SL)
2	-----	Bulb,7511 BA 15S 24V      -(167403)
3	GAA417BJ1	Lamp 50Hz
4	GAA417BJ2	Lamp 60Hz
5	GAA424AV1	Fluorescent tube
6	GAA417BK1	Lighting,LED 24V AC/DC (as shown)
7	GAA417BK2	Lighting,LED 24V AC/DC (opposite)



<b>GO9703AY</b>		
REF.NO.	PART OR M.L.	DESCRIPTION
8	GAA417BL1	Lamp compl. , w fluorescent tube
9	GAA424BA1	Fluorescent tube
10	-----	Fluorescent tube, TLD 18W-17      -(129809) EN-CODE &
11	GAA417BH1	Lamp 50Hz
12	GAA417BH2	Lamp 60Hz
13	GAA424BY1	Lamp 60Hz