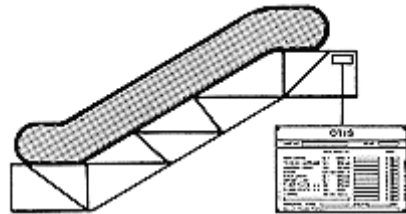


# SPL 57-GO9703BJ - Balustrade Aluminum

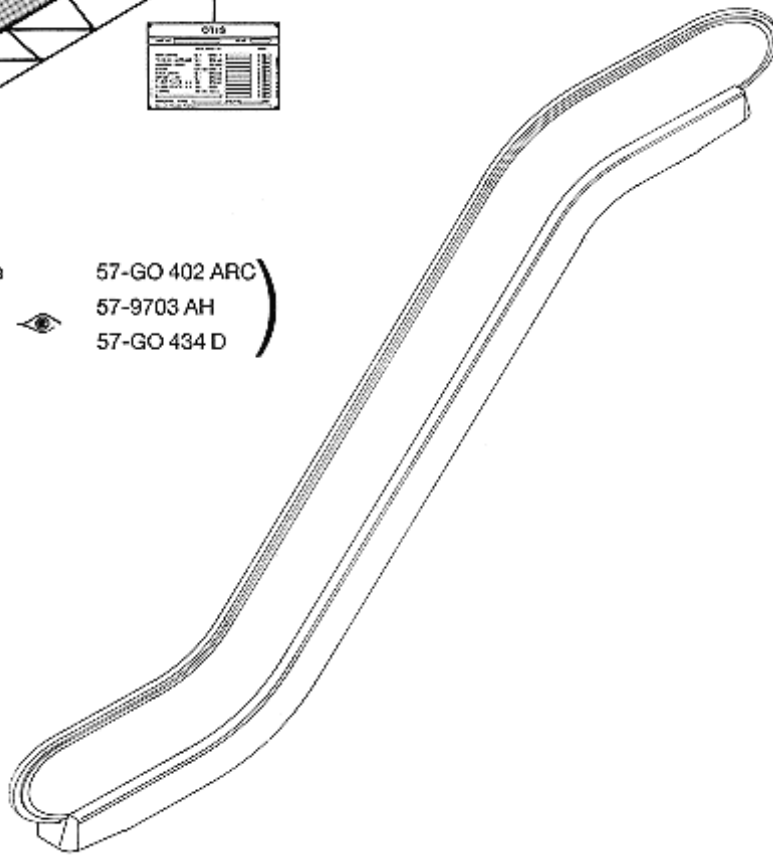
Unpublished Work - © Otis Elevator Company. Any unauthorized reproduction, disclosure, or distribution of copies or content by any person of any portion of this work may be a violation of Copyright Law of the United States of America. All rights reserved.

OTIS 506  
January 1989

Page 1



(Handrail guide	57-GO 402 ARC
Skirt-Panel	57-9703 AH
Glass-panel	57-GO 434 D



# SPL 57-GO9703BJ - Balustrade Aluminum

## Page 2 - BALUSTRADE ALU

When ordering the balustrade parts please give "balustrade finish", as indicated on the type tag.

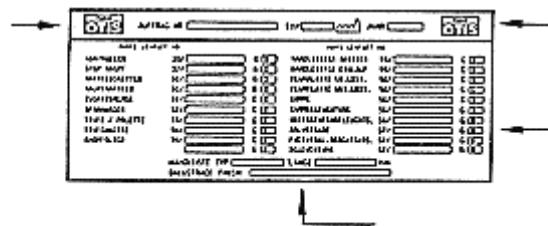
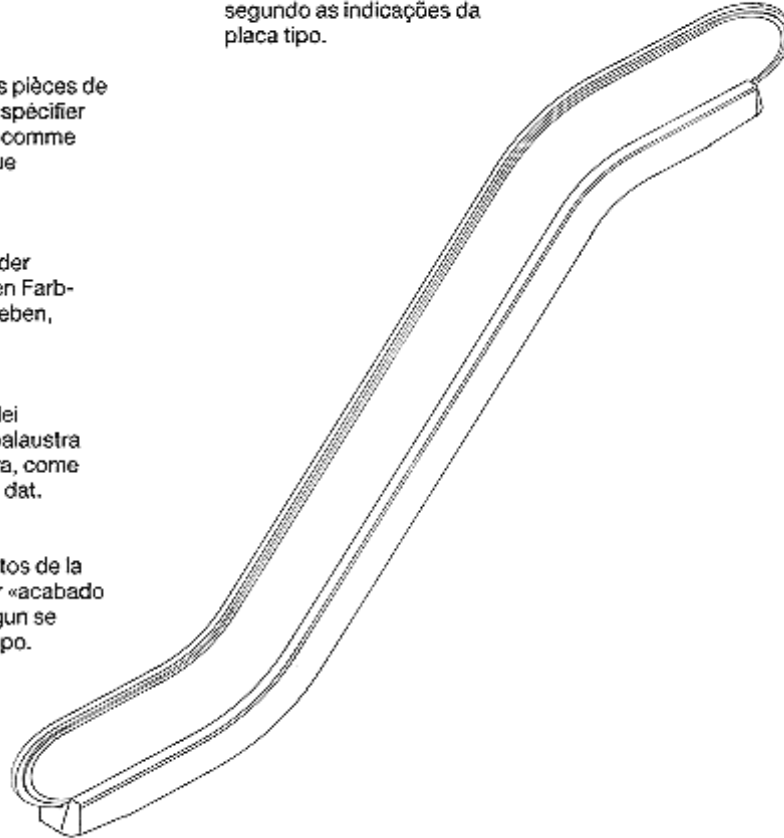
Ao encomendar elementos da balustrada indicar "acabamento da balustrada" segundo as indicações da placa tipo.

A la commande des pièces de balustrade veuillez spécifier «balustrade finish» comme indique sur la plaque d'identité.

Bei der Bestellung der Balustradenteile den Farb- oder Eloxalton angeben, siehe Typenschild.

Nella ordinazione dei componenti della balaustra precisare la finitura, come indicato sulla targa dat.

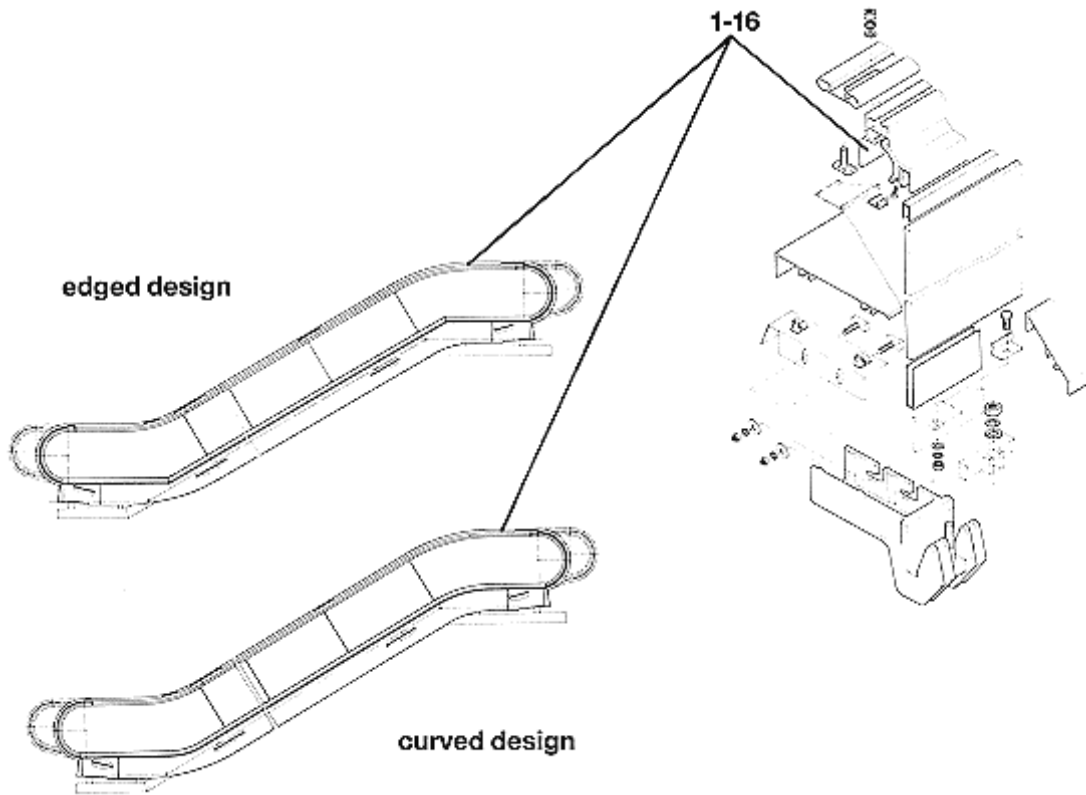
Al pedir los elementos de la balustrada indicar «acabado de balustrada» según se indica en la placa tipo.



VINTAGE G. 01		
REF. No	PART OR ML	DESCRIPTION
	BALUSTRADE GLASS-PANEL	See Also Parts Leaflet *57/GO 434 D
	BALUSTRADE HANDRAIL GUIDE	See Also Parts Leaflet *57/GO 402 ARC
	BALUSTRADE SKIRT-PANEL	See Also Parts Leaflet *57/9703 AK
	BALUSTRADE SUPPORTING PROFILE ST ST	
	BALUSTRADE INNER- AND OUTERDECKING PROFILE	
	BALUSTRADE FASTENING PARTS FOR DECKING PROFILE	
	BALUSTRADE NEWEL	

SPL 57-GO9703BJ - Balustrade Aluminum

Page 3 - BALUSTRADE, SUPPORTING PROFILE ALU

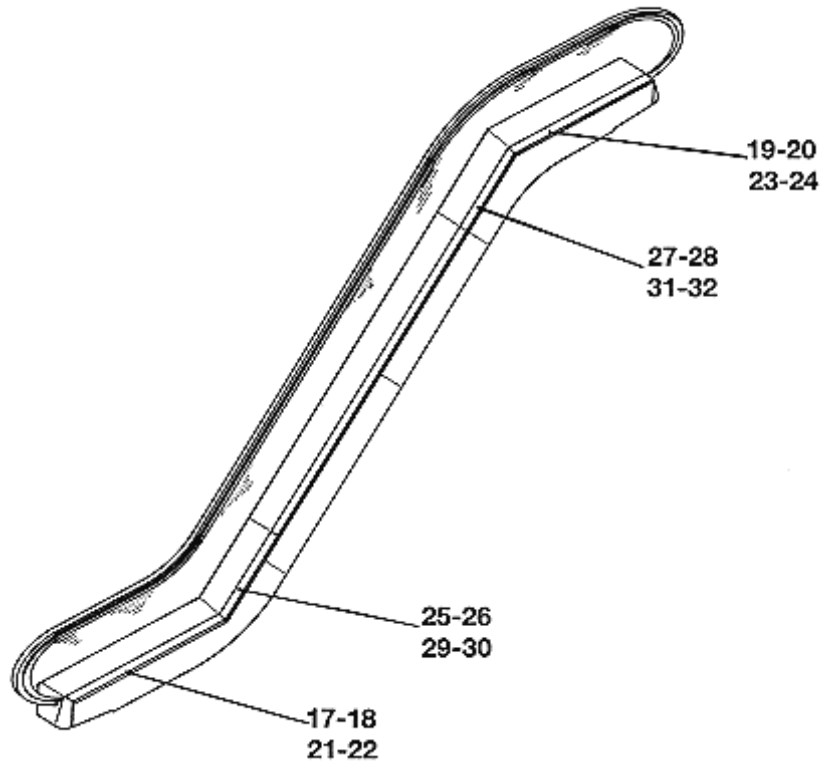


VINTAGE G. 01		DESCRIPTION					
REF. No	PART OR ML						
1	GO402APP1	Supporting profile	Left hand	upper	30°		ALU
2	GO402APP2	Supporting profile	Right hand	landing			
3	GO402APN1	Supporting profile	Left hand	lower			
4	GO402APN2	Supporting profile	Right hand	landing			
5	GO402APP3	Supporting profile	Left hand	upper	35°		
6	GO402APP4	Supporting profile	Right hand	landing			
7	GO402APN3	Supporting profile	Left hand	lower			
8	GO402APN4	Supporting profile	Right hand	landing			
9	GO402ASB1	Supporting profile	5800 mm			inclined	
10	GO402ASB2	Supporting profile	2900 mm			section	
11	GO402ASB-V1	Supporting profile	1 - 1000 mm				
12	GO402ASB-V2	Supporting profile	1001 - 2000 mm				
13	GO402ASB-V3	Supporting profile	2001 - 3000 mm				
14	GO402ASB-V4	Supporting profile	3001 - 4000 mm				
15	GO402ASB-V5	Supporting profile	4001 - 5000 mm				
16	GO402ASB-V6	Supporting profile	5001 - 6000 mm				

SPL 57-GO9703BJ - Balustrade Aluminum

Page 4 - BALUSTRADE, INNERDECKING PROFILE ALU

edged design

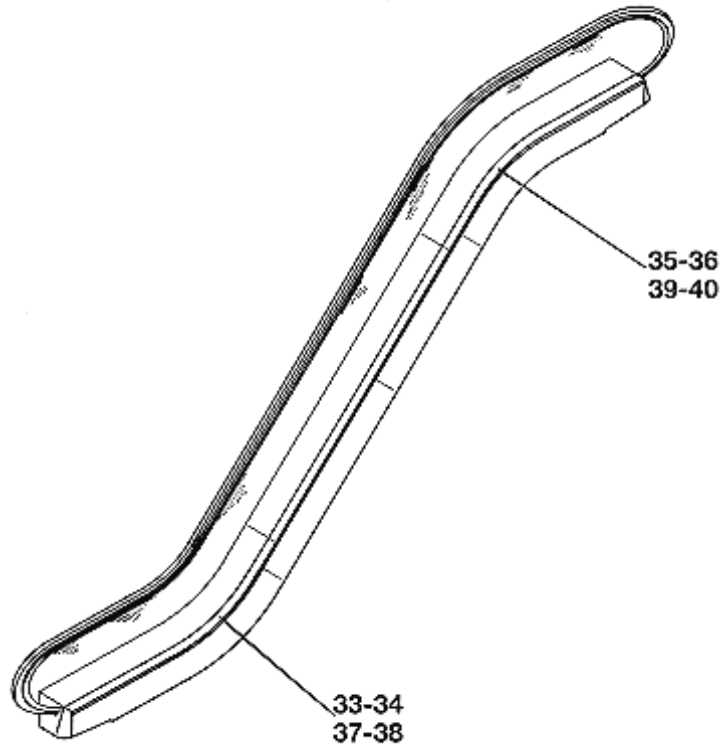


VINTAGE G. 01		DESCRIPTION					
REF. No	PART OR ML						
17	GO402ASE1	Innerdecking profile	Left hand	lower	30°	edged	ALU
18	GO402ASE2	Innerdecking profile	Right hand	landing		design	
19	GO402ASF1	Innerdecking profile	Left hand	upper			
20	GO402ASF2	Innerdecking profile	Right hand	landing			
21	GO402ASE3	Innerdecking profile	Left hand	lower	35°		
22	GO402ASE4	Innerdecking profile	Right hand	landing			
23	GO402ASF3	Innerdecking profile	Left hand	upper			
24	GO402ASF4	Innerdecking profile	Right hand	landing			
25	GO402ARE1	Innerdecking profile	Left hand	low.land.	30°		
26	GO402ARE2	Innerdecking profile	Right hand	inclined			
27	GO402ARF1	Innerdecking profile	Left hand	upp.land.			
28	GO402ARF2	Innerdecking profile	Right hand	inclined			
29	GO402ARE3	Innerdecking profile	Left hand	low.land.	35°		
30	GO402ARE4	Innerdecking profile	Right hand	inclined			
31	GO402ARF3	Innerdecking profile	Left hand	upp.land.			
32	GO402ARF4	Innerdecking profile	Right hand	inclined			

SPL 57-GO9703BJ - Balustrade Aluminum

Page 5

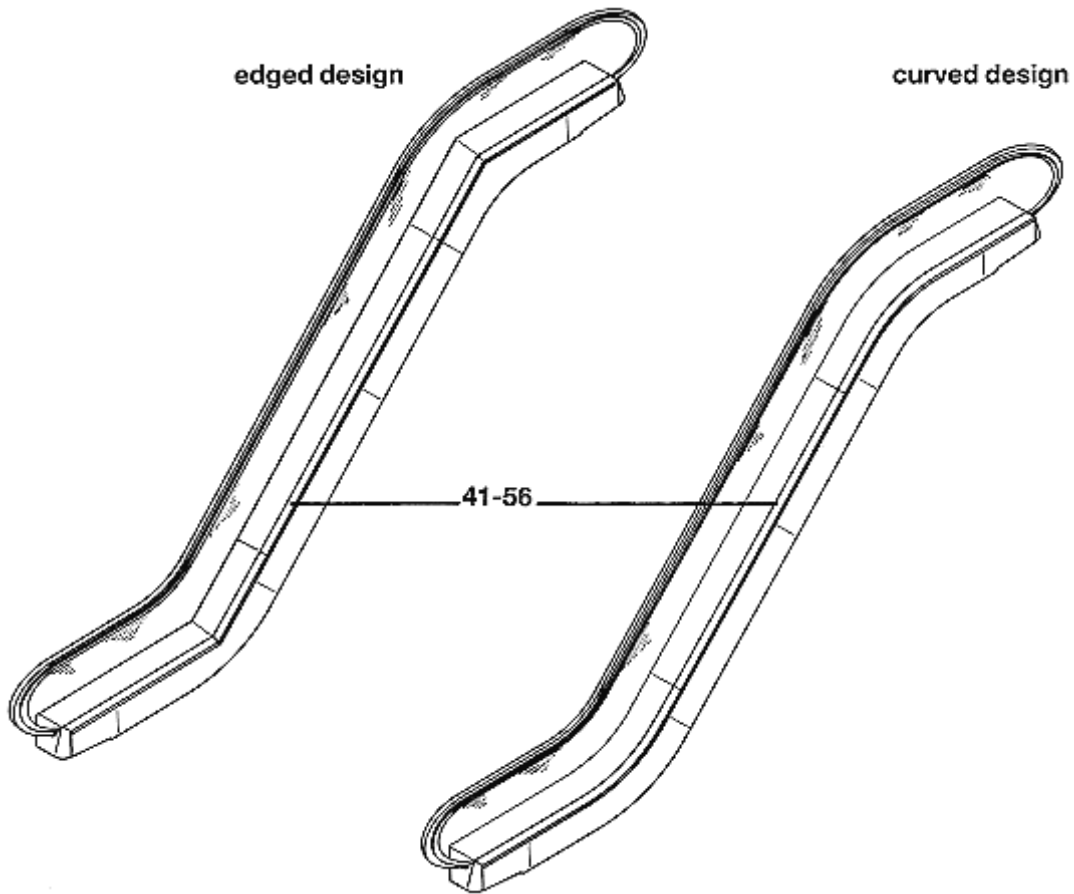
curved design



VINTAGE G. 01							
REF. No	PART OR ML	DESCRIPTION					
33	GO402ASG1	Innerdecking profile	Left hand	lower	30°	curved	ALU
34	GO402ASG2	Innerdecking profile	Right hand	landing		design	
35	GO402ASH1	Innerdecking profile	Left hand	upper			
36	GO402ASH2	Innerdecking profile	Right hand	landing			
37	GO402ASG3	Innerdecking profile	Left hand	lower	35°		
38	GO402ASG4	Innerdecking profile	Right hand	landing			
39	GO402ASH3	Innerdecking profile	Left hand	upper			
40	GO402ASH4	Innerdecking profile	Right hand	landing			

SPL 57-GO9703BJ - Balustrade Aluminum

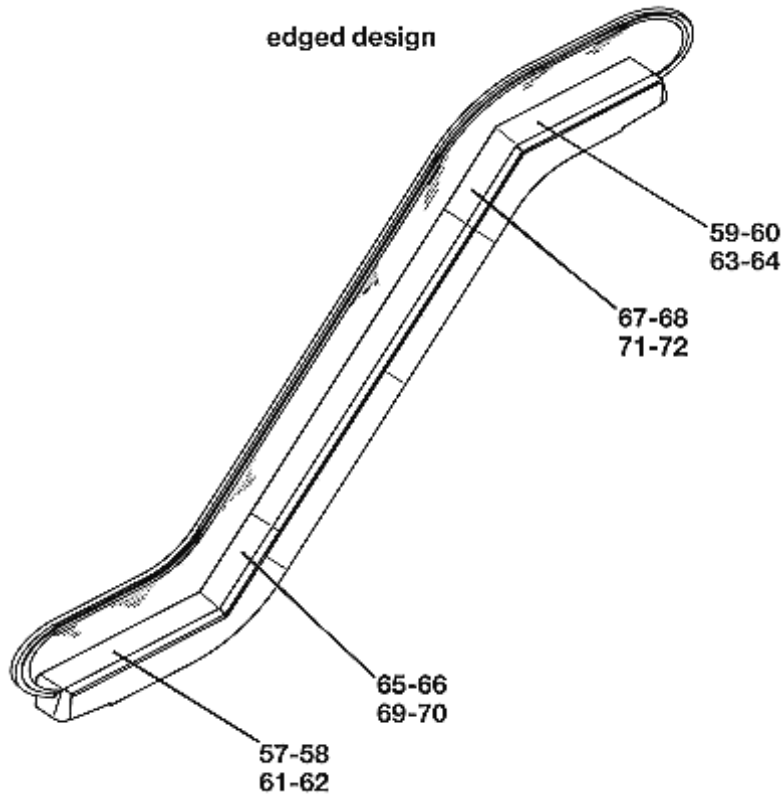
Page 6



VINTAGE G. 01						
REF. No	PART OR ML	DESCRIPTION				
41	GO402APX1	Innerdecking profile	Left hand	5800 mm	inclined	ALU
42	GO402APX2	Innerdecking profile	Right hand		section	
43	GO402APX3	Innerdecking profile	Left hand	2900 mm		
44	GO402APX4	Innerdecking profile	Right hand			
45	GO402APX-V1	Innerdecking profile	Left hand	1-1000 mm		
46	GO402APX-V2	Innerdecking profile	Right hand			
47	GO402APX-V3	Innerdecking profile	Left hand	1001-2000 mm		
48	GO402APX-V4	Innerdecking profile	Right hand			
49	GO402APX-V5	Innerdecking profile	Left hand	2001-3000 mm		
50	GO402APX-V6	Innerdecking profile	Right hand			
51	GO402APX-V7	Innerdecking profile	Left hand	3001-4000 mm		
52	GO402APX-V8	Innerdecking profile	Right hand			
53	GO402APX-V9	Innerdecking profile	Left hand	4001-5000 mm		
54	GO402APX-V10	Innerdecking profile	Right hand			
55	GO402APX-V11	Innerdecking profile	Left hand	5001-6000 mm		
56	GO402APX-V12	Innerdecking profile	Right hand			

SPL 57-GO9703BJ - Balustrade Aluminum

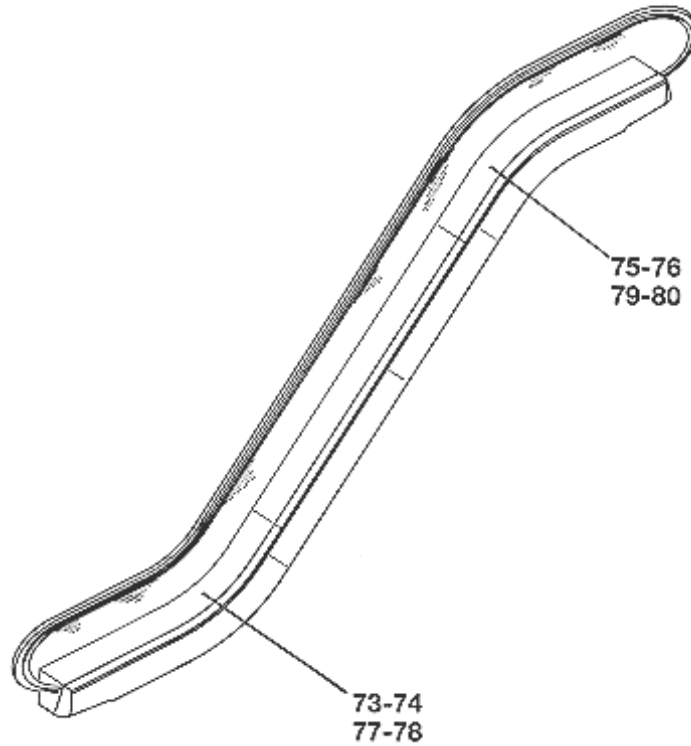
Page 7 - BALUSTRADE OUTERDECKING PROFILE ALU



VINTAGE G. 01							
REF. No	PART OR ML	DESCRIPTION					
57	GO402ASJ1	Outerdecking profile	Left hand	lower	30°	edged	ALU
58	GO402ASJ2	Outerdecking profile	Right hand	landing		design	
59	GO402ASK1	Outerdecking profile	Left hand	upper			
60	GO402ASK2	Outerdecking profile	Right hand	landing			
61	GO402ASJ3	Outerdecking profile	Left hand	lower	35°		
62	GO402ASJ4	Outerdecking profile	Right hand	landing			
63	GO402ASK3	Outerdecking profile	Left hand	upper			
64	GO402ASK4	Outerdecking profile	Right hand	landing			
65	GO402ARJ1	Outerdecking profile	Left hand	low.land.	30°		
66	GO402ARJ2	Outerdecking profile	Right hand	inclined			
67	GO402ARL1	Outerdecking profile	Left hand	upp.land.			
68	GO402ARL2	Outerdecking profile	Right hand	inclined			
69	GO402ARJ3	Outerdecking profile	Left hand	low.land.	35°		
70	GO402ARJ4	Outerdecking profile	Right hand	inclined			
71	GO402ARL3	Outerdecking profile	Left hand	upp.land.			
72	GO402ARL4	Outerdecking profile	Right hand	inclined			

SPL 57-GO9703BJ - Balustrade Aluminum

curved design

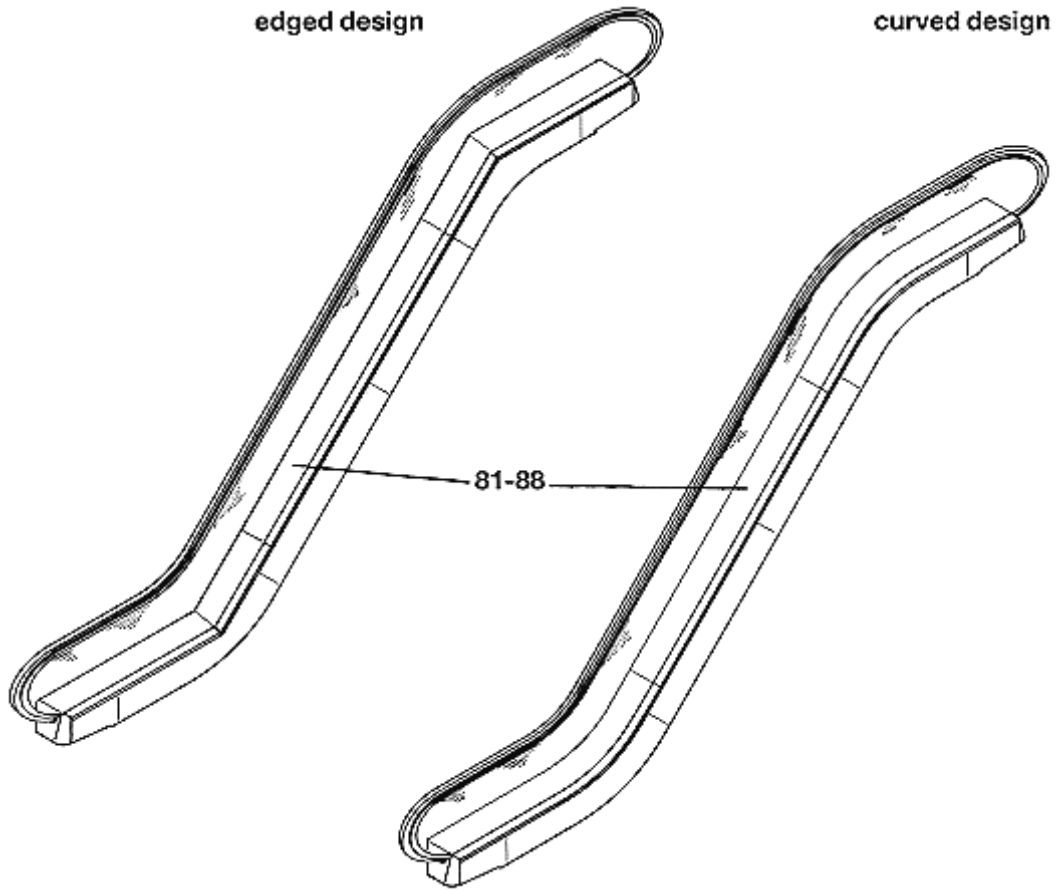


VINTAGE G. 01							
REF. No	PART OR ML	DESCRIPTION					
73	GO402ASL1	Outerdecking profile	Left hand	lower	30°	curved	ALU
74	GO402ASL2	Outerdecking profile	Right hand	landing		design	
75	GO402ASM1	Outerdecking profile	Left hand	upper			
76	GO402ASM2	Outerdecking profile	Right hand	landing			
77	GO402ASL3	Outerdecking profile	Left hand	lower	35°		
78	GO402ASL4	Outerdecking profile	Right hand	landing			
79	GO402ASM3	Outerdecking profile	Left hand	upper			
80	GO402ASM4	Outerdecking profile	Right hand	landing			



SPL 57-GO9703BJ - Balustrade Aluminum

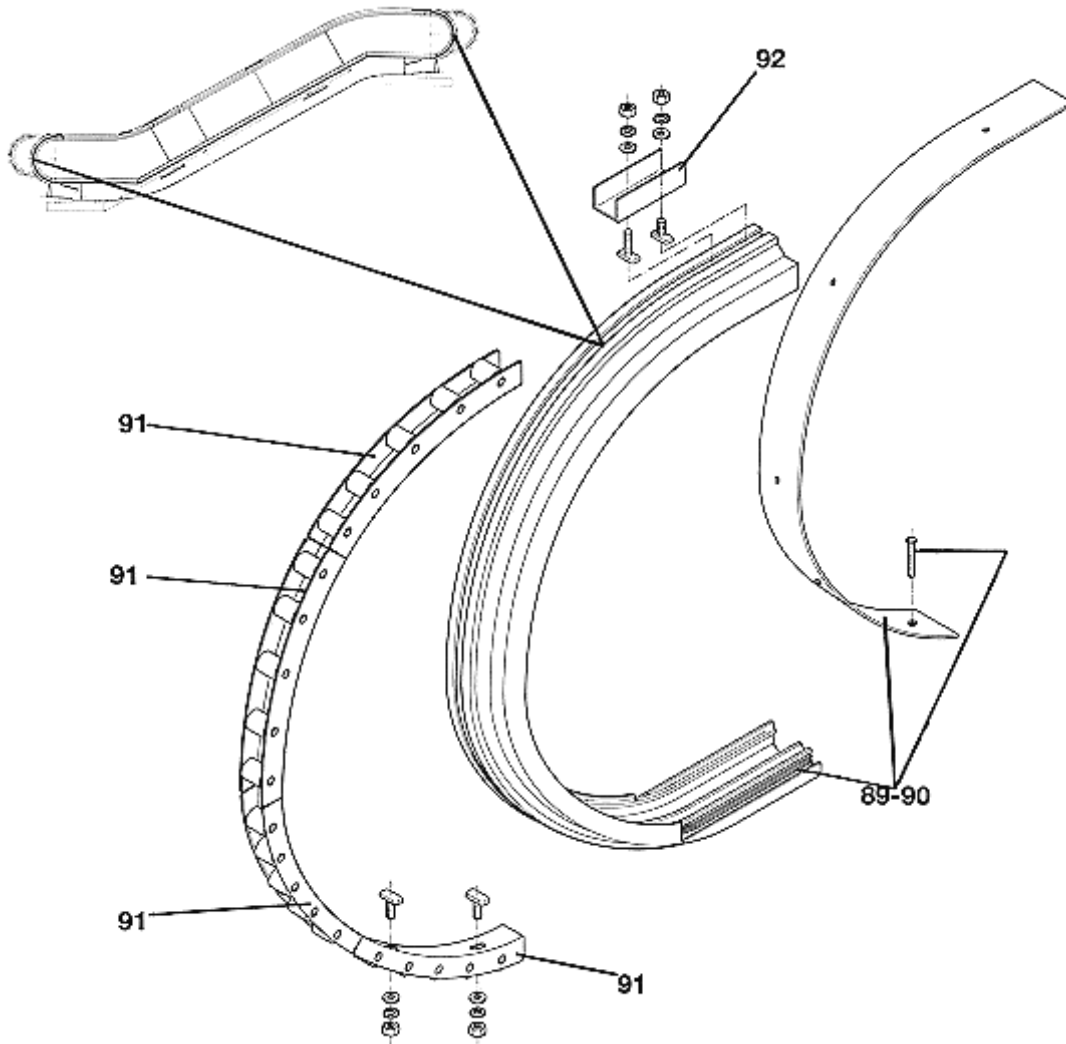
Page 9



VINTAGE G. 01						
REF. No	PART OR ML	DESCRIPTION				
81	GO402ASD1	Outerdecking profile	Left hand + Right hand	5800 mm	inclined section	ALU
82	GO402ASD2	Outerdecking profile	Left hand + Right hand	2900 mm		
83	GO402ASD-V1	Outerdecking profile	Left hand + Right hand	1-1000 mm		
84	GO402ASD-V2	Outerdecking profile	Left hand + Right hand	1001-2000 mm		
85	GO402ASD-V3	Outerdecking profile	Left hand + Right hand	2001-3000 mm		
86	GO402ASD-V4	Outerdecking profile	Left hand + Right hand	3001-4000 mm		
87	GO402ASD-V5	Outerdecking profile	Left hand + Right hand	4001-5000 mm		
88	GO402ASD-V6	Outerdecking profile	Left hand + Right hand	5001-6000 mm		

SPL 57-GO9703BJ - Balustrade Aluminum

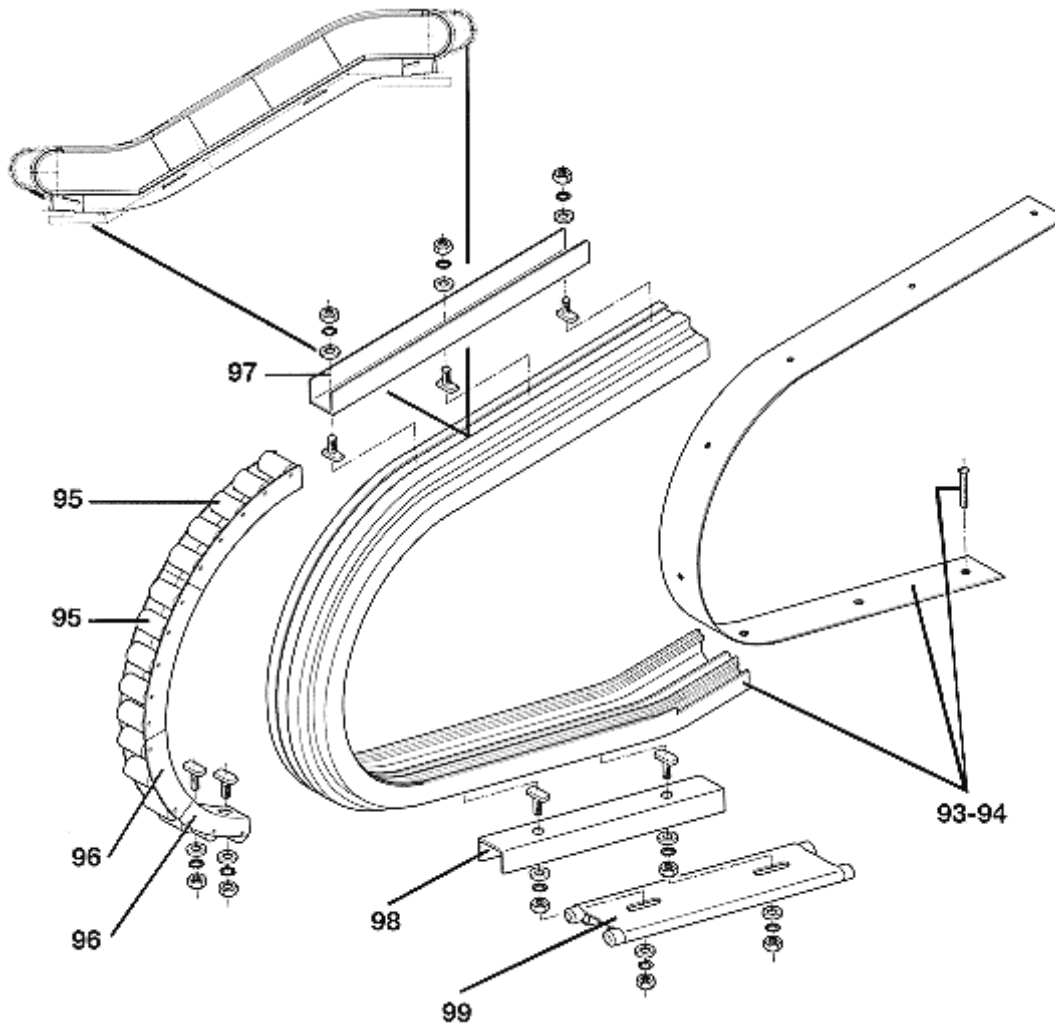
Page 10 - BALUSTRADE, NEWEL ALU



VINTAGE G. 01				
REF. No	PART OR ML	DESCRIPTION		
89	GO402ARA1	Circular ring segment	Left hand	
90	GO402ARA2	Circular ring segment	Right hand	
91	GO471CL1	Roller supporting moulding complete		
92	GO402AEY2	Moulding		

SPL 57-GO9703BJ - Balustrade Aluminum

Page 11 - BALUSTRADE, ELONGATED NEWEL ALU



VINTAGE G. 01				
REF. No	PART OR ML	DESCRIPTION		
93	GO402AWK1	Elongated ring segment	Left hand	
94	GO402AWK2	Elongated ring segment	Right hand	
95	GO471CL2	Roller supporting moulding complete		
96	GO471CL7	Roller supporting moulding complete		
97	GO402AEY5	Moulding		
98	GO402AEY4	Moulding		
99	GO402AGV10	Guide		