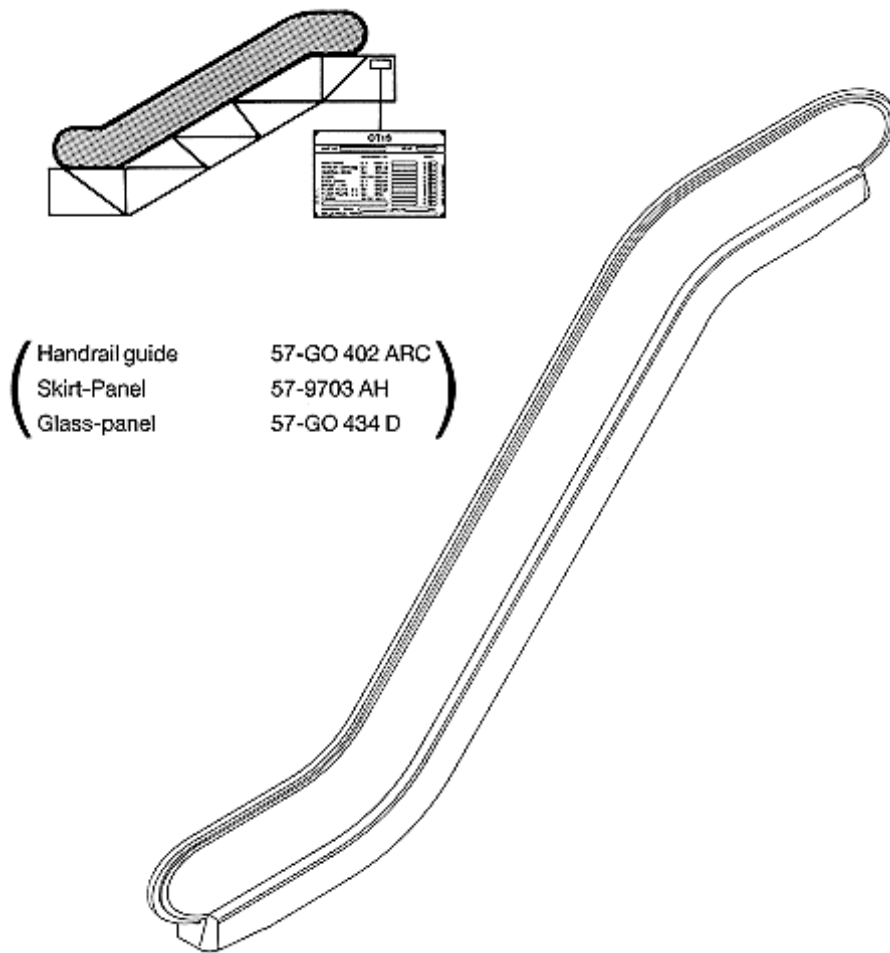


# SPL 57-GO9703BX - Balustrade Stainless Steel

Unpublished Work - © Otis Elevator Company. Any unauthorized reproduction, disclosure, or distribution of copies or content by any person of any portion of this work may be a violation of Copyright Law of the United States of America. All rights reserved.

OTIS 506  
January 1989

## Page 1 - (BALUSTRADA FINISH "G2")



# SPL 57-GO9703BX - Balustrade Stainless Steel

When ordering the balustrade parts please give "balustrade finish", as indicated on the type tag.

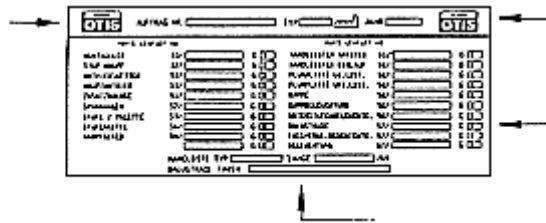
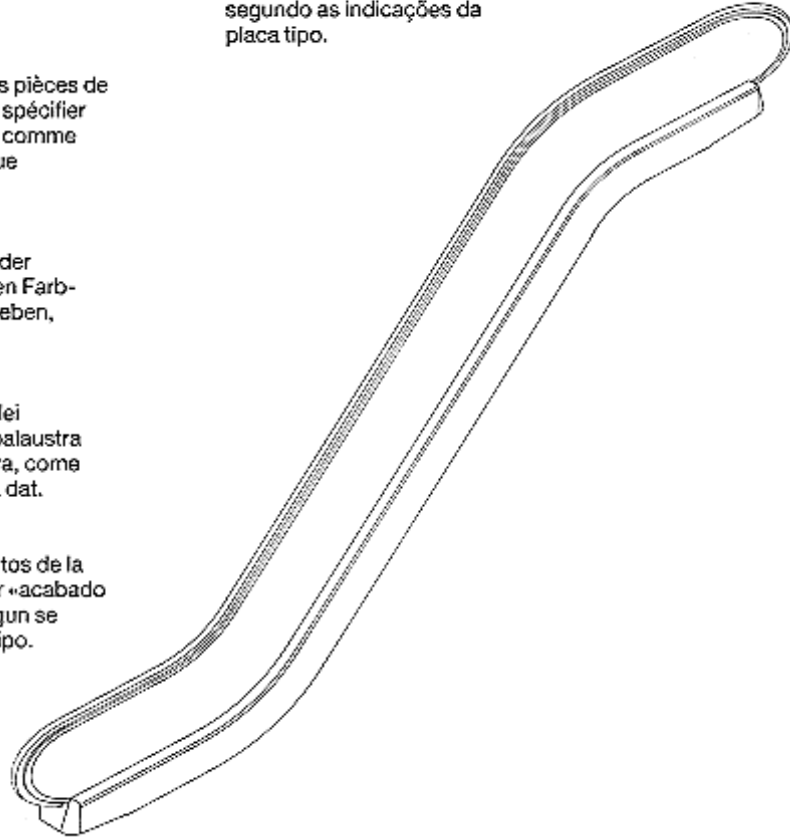
Ao encomendar elementos da balustrada indicar "acabamento da balustrada" segundo as indicações da placa tipo.

A la commande des pièces de balustrade veuillez spécifier «balustrade finish» comme indique sur la plaque d'identité.

Bei der Bestellung der Balustradenteile den Farb- oder Eloxalton angeben, siehe Typenschild.

Nella ordinazione dei componenti della balastra precisarne la finitura, come indicato sulla targa dat.

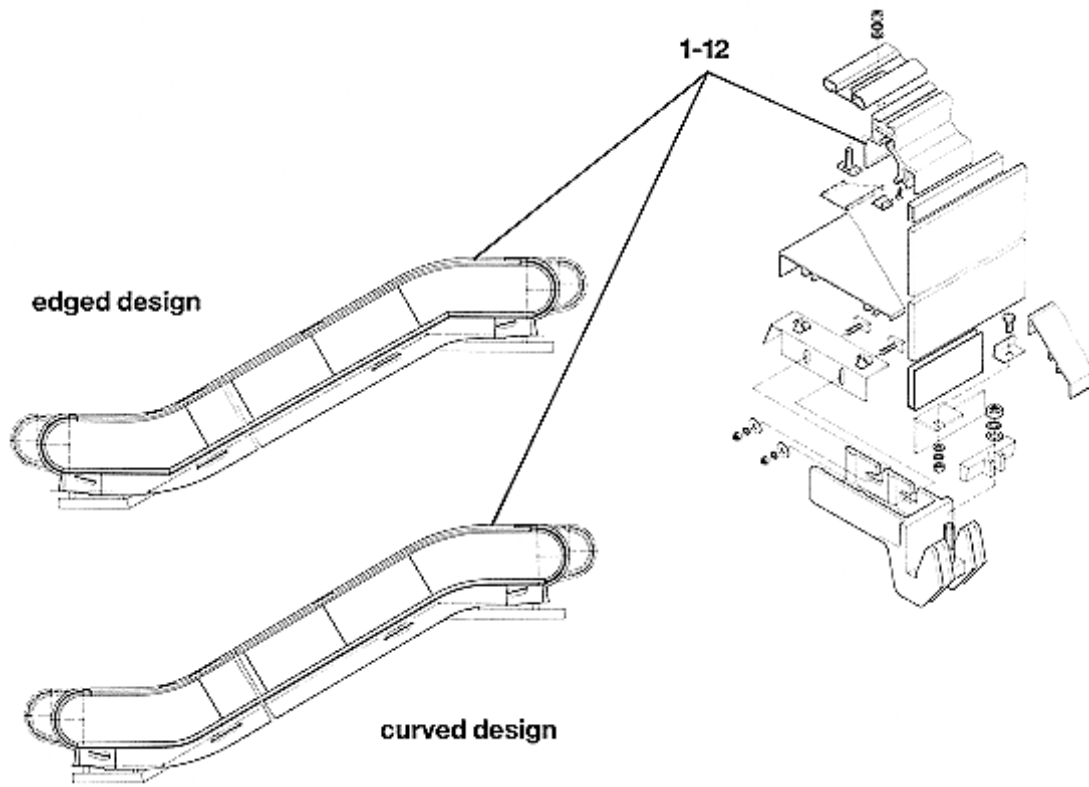
Al pedir los elementos de la balustrada indicar «acabado de balustrada» según se indica en la placa tipo.



VINTAGE G.01		
REF. No.	PART OR ML	DESCRIPTION
	BALUSTRADE GLASS-PANEL	See Also Parts Leaflet * 57/GO 434 D
	BALUSTRADE HANDRAIL GUIDE	See Also Parts Leaflet * 57/GO 402 ARC
	BALUSTRADE SKIRT-PANEL	See Also Parts Leaflet * 57/9703 AK
	BALUSTRADE SUPPORTING PROFILE ST ST	
	BALUSTRADE INNER-AND OUTERDECKING PROFILE	
	BALUSTRADE FASTENING PARTS FOR DECKING PROFILE	
	BALUSTRADE NEWEL	

SPL 57-GO9703BX - Balustrade Stainless Steel

Page 3 - BALUSTRADE SUPPORTING PROFILE STAINLESS STEEL

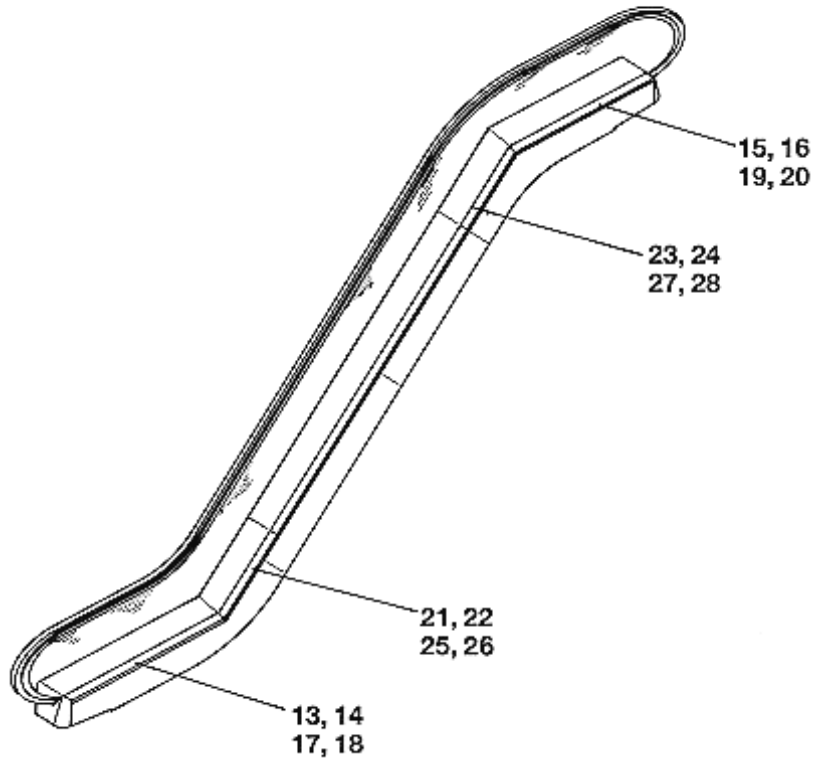


VINTAGE G.01							
REF. No.	PART OR ML	DESCRIPTION					
1	GO402ASP17	Supporting profile	Left hand	lower			
2	GO402ASP18	Supporting profile	Right hand	landing	30°		
3	GO402AVD17	Supporting profile	Left hand	upper			
4	GO402AVD18	Supporting profile	Right hand	landing			
5	GO402ASP19	Supporting profile	Left hand	lower			
6	GO402ASP20	Supporting profile	Right hand	landing	35°		
7	GO402AVD19	Supporting profile	Left hand	upper			ST ST
8	GO402AVD20	Supporting profile	Right hand	landing			
9	GO402AXX1	Supporting profile	5800 mm				
10	GO402AXX-V1	Supporting profile	0-2000 mm			inclined	
11	GO402AXX-V2	Supporting profile	2001-4000 mm			section	
12	GO402AXX-V3	Supporting profile	4001-5800 mm				

SPL 57-GO9703BX - Balustrade Stainless Steel

Page 4 - BALUSTRADE INNERDECKING PROFILE STAINLESS STEEL

edged design

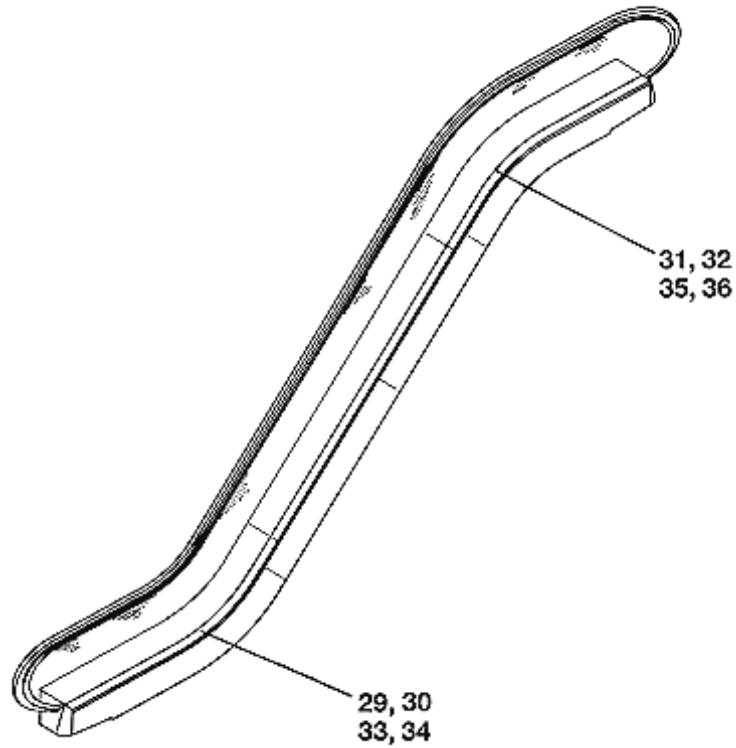


VINTAGE G.01							
REF. No.	PART OR ML	DESCRIPTION					
13	GO402AVJ17	Innerdecking profile	Left hand	lower			
14	GO402AVJ18	Innerdecking profile	Right hand	landing	30°		
15	GO402AVM25	Innerdecking profile	Left hand	upper			
16	GO402AVM26	Innerdecking profile	Right hand	landing			
17	GO402AVJ19	Innerdecking profile	Left hand	lower			
18	GO402AVJ20	Innerdecking profile	Right hand	landing	35°		
19	GO402AVM27	Innerdecking profile	Left hand	upper		edged	
20	GO402AVM28	Innerdecking profile	Right hand	landing		design	ST ST
21	GO402AVL9	Innerdecking profile	Left hand	low.land.			
22	GO402AVL10	Innerdecking profile	Right hand	inclined	30°		
23	GO402AVR9	Innerdecking profile	Left hand	upp.land.			
24	GO402AVR10	Innerdecking profile	Right hand	inclined			
25	GO402AVL11	Innerdecking profile	Left hand	low.land.			
26	GO402AVL12	Innerdecking profile	Right hand	inclined	35°		
27	GO402AVR11	Innerdecking profile	Left hand	upp.land.			
28	GO402AVR12	Innerdecking profile	Right hand	inclined			

SPL 57-GO9703BX - Balustrade Stainless Steel

Page 5

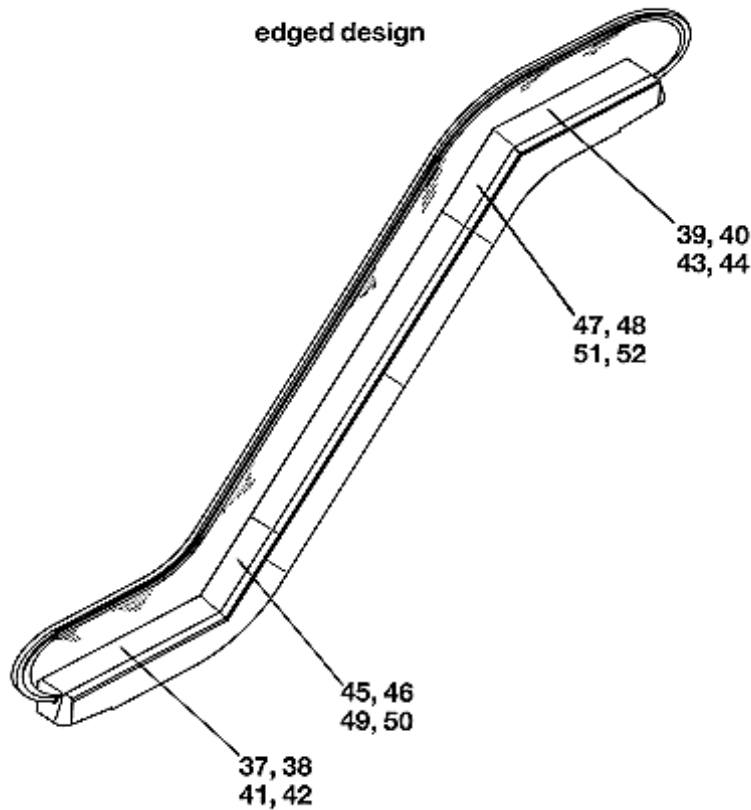
curved design



VINTAGE G.01							
REF. No.	PART OR ML	DESCRIPTION					
29	GO402ATY5	Innerdecking profile	Left hand	lower			
30	GO402ATY6	Innerdecking profile	Right hand	landing	30°		
31	GO402AVA7	Innerdecking profile	Left hand	upper			
32	GO402AVA8	Innerdecking profile	Right hand	landing		curved	
33	GO402ATY7	Innerdecking profile	Left hand	lower		design	ST ST
34	GO402ATY3	Innerdecking profile	Right hand	landing	35°		
35	GO402AVA9	Innerdecking profile	Left hand	upper			
36	GO402AVA10	Innerdecking profile	Right hand	Landing			

SPL 57-GO9703BX - Balustrade Stainless Steel

Page 6 - BALUSTRADE OUTERDECKING PROFILE STAINLESS STEEL

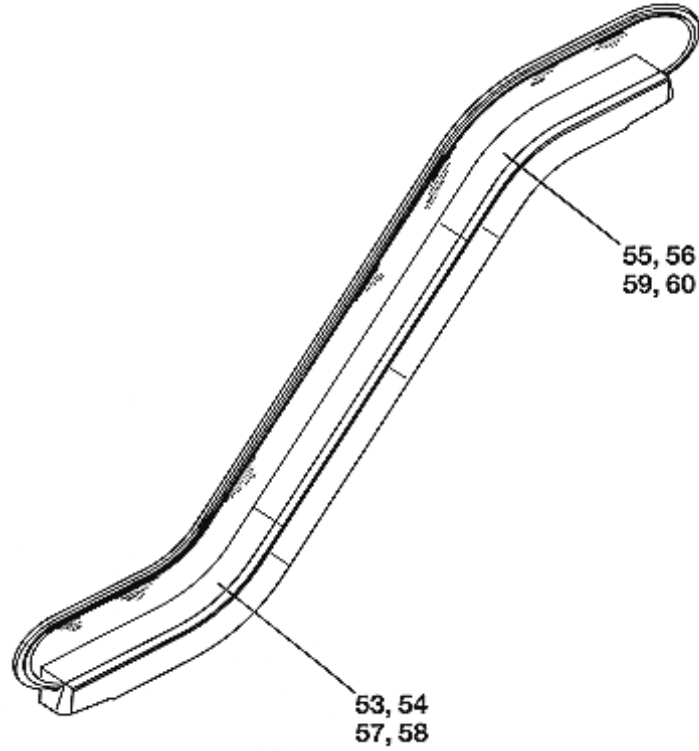


VINTAGE G.01		DESCRIPTION					
REF. No.	PART OR ML	DESCRIPTION					
37	GO402AVT17	Outerdecking profile	Left hand	lower			
38	GO402AVT18	Outerdecking profile	Right hand	landing	30°		
39	GO402AVY17	Outerdecking profile	Left hand	upper			
40	GO402AVY18	Outerdecking profile	Right hand	landing			
41	GO402AVT19	Outerdecking profile	Left hand	lower			
42	GO402AVT20	Outerdecking profile	Right hand	landing	35°		
43	GO402AVY19	Outerdecking profile	Left hand	upper		edged	
44	GO402AVY20	Outerdecking profile	Right hand	landing		design	ST ST
45	GO402AVV9	Outerdecking profile	Left hand	low.land.			
46	GO402AVV10	Outerdecking profile	Right hand	inclined	30°		
47	GO402AWB9	Outerdecking profile	Left hand	upp.land.			
48	GO402AWB10	Outerdecking profile	Right hand	inclined			
49	GO402AVV11	Outerdecking profile	Left hand	low.land.			
50	GO402AVV12	Outerdecking profile	Right hand	inclined	35°		
51	GO402AWB11	Outerdecking profile	Left hand	upp.land.			
52	GO402AWB17	Outerdecking profile	Right hand	inclined			

SPL 57-GO9703BX - Balustrade Stainless Steel

Page 7

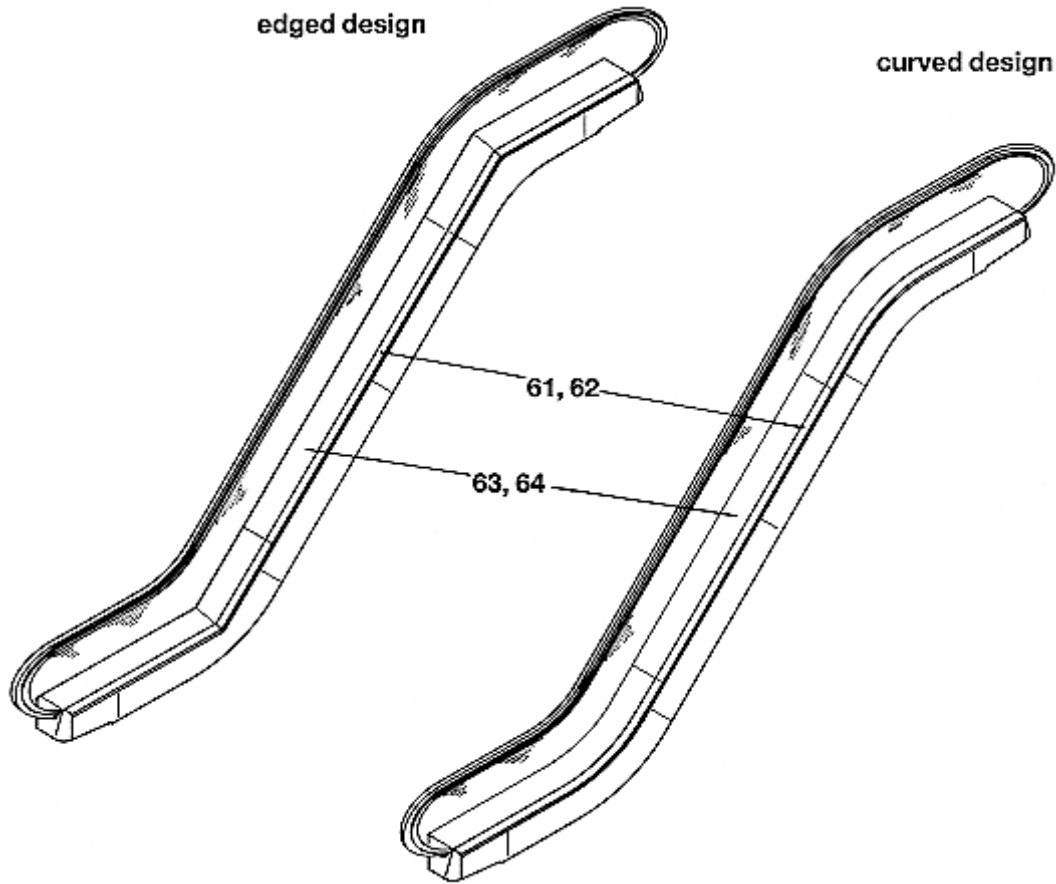
curved design



VINTAGE G.01							
REF. No.	PART OR ML	DESCRIPTION					
53	GO402AVS17	Outerdecking profile	Left hand	lower			
54	GO402AVS18	Outerdecking profile	Right hand	landing	30°		
55	GO402AVW17	Outerdecking profile	Left hand	upper			
56	GO402AVW18	Outerdecking profile	Right hand	landing		curved	
57	GO402AVS19	Outerdecking profile	Left hand	lower		design	ST ST
58	GO402AVS20	Outerdecking profile	Right hand	landing	35°		
59	GO402AVW19	Outerdecking profile	Left hand	upper			
60	GO402AVW20	Outerdecking profile	Right hand	landing			

SPL 57-GO9703BX - Balustrade Stainless Steel

Page 8 - BALUSTRADE INNERDECKING OUTERDECKING PROFILE STAINLESS STEEL

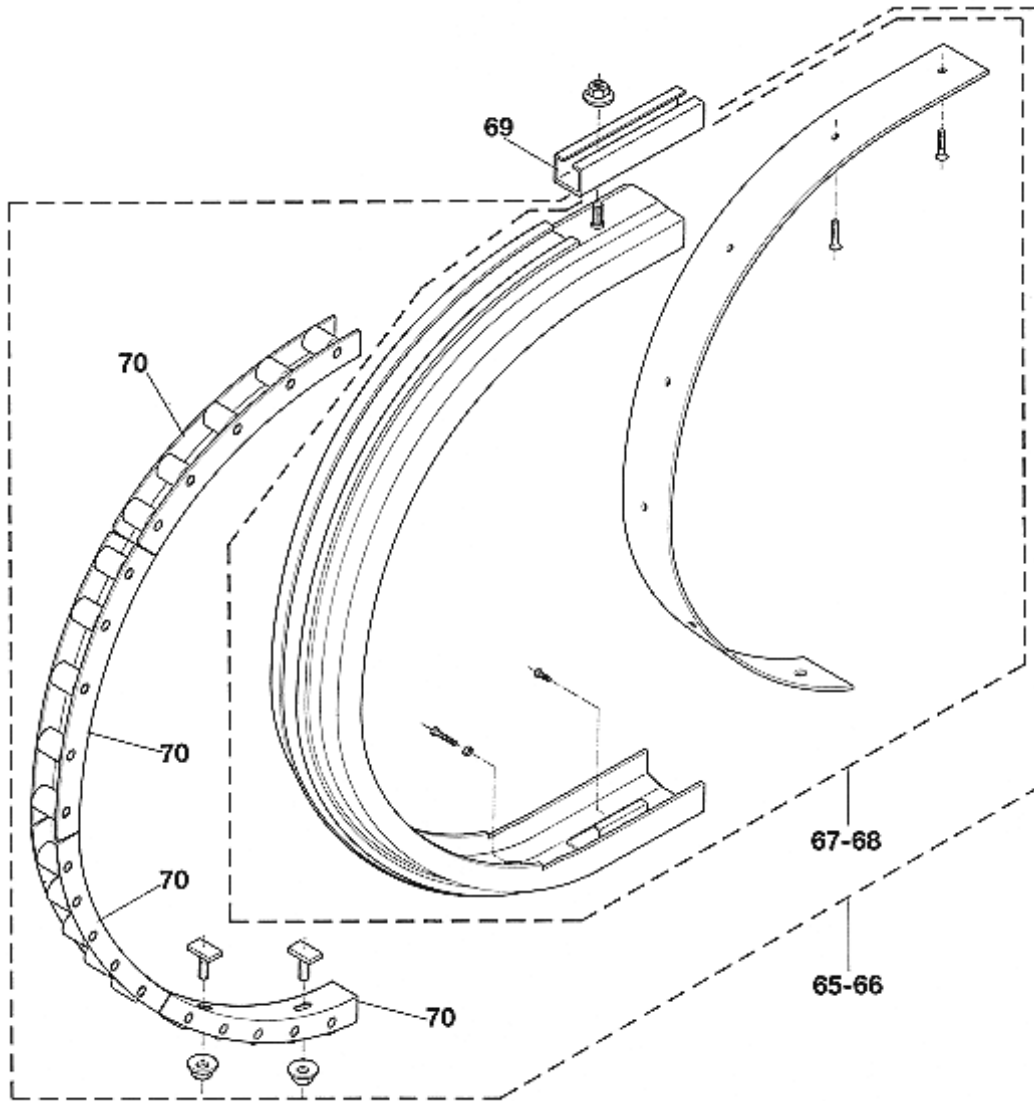


VINTAGE G.01					
REF. No.	PART OR ML	DESCRIPTION			
61	GO402ATR5	Innerdecking profile	Left hand + Right hand	1450 mm	
62	GO402ATR6			2900 mm	inclined
63	GO402AWD7	Outerdecking profile	Left hand + Right hand	2890 mm	section
64	GO402AWD8			2890 mm	



SPL 57-GO9703BX - Balustrade Stainless Steel

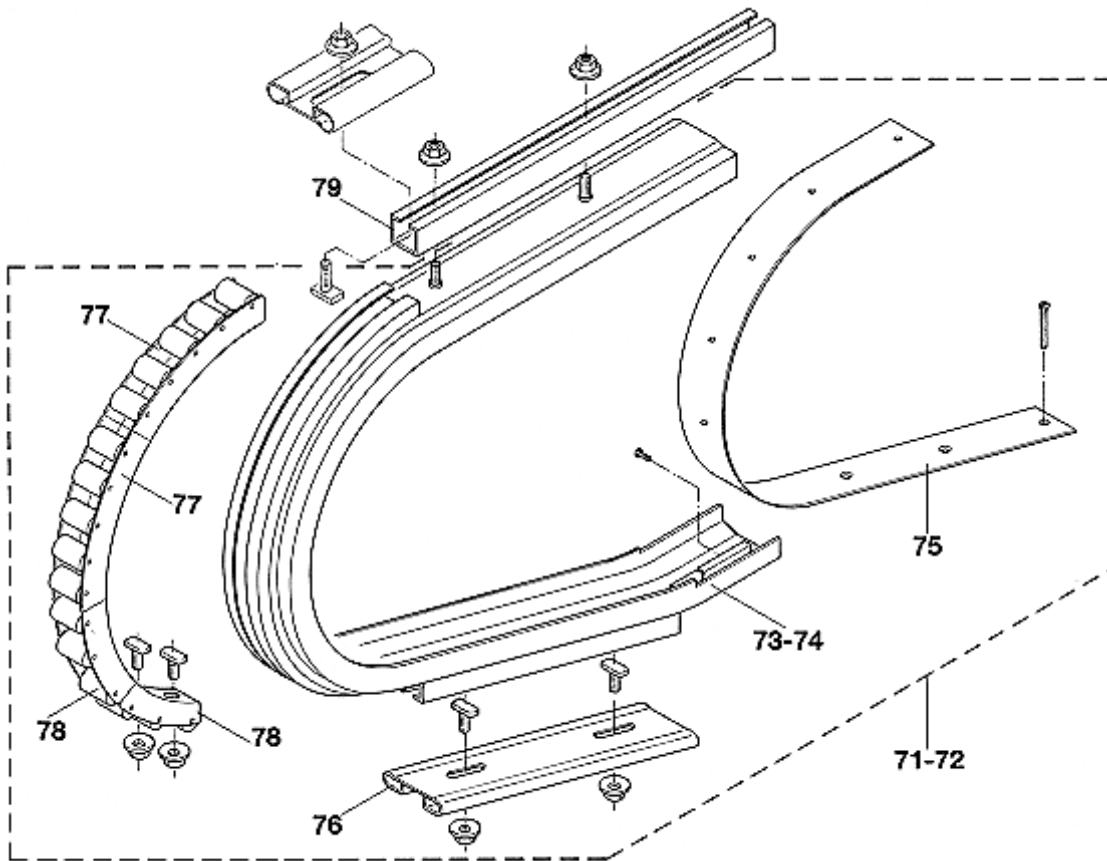
Page 9 - BALUSTRADE NEWEL STAINLESS STEEL



VINTAGE G.01				
REF. No.	PART OR ML	DESCRIPTION		
65	GO402AVH3	Newel	Left hand	
66	GO402AVH4	Newel	Right hand	
67	GO402ATX3	Circular ring segment	Left hand	
68	GO402ATX4	Circular ring segment	Right hand	
69	GO402ATM4	Moulding		
70	GO471CL1	Roller support moulding		

## SPL 57-GO9703BX - Balustrade Stainless Steel

Page 10



VINTAGE G.01				
REF. No.	PART OR ML	DESCRIPTION		
71	GO402AVF1	Newel	Left hand	
72	GO402AVF2	Newel	Right hand	
73	GO402AVG5	Elongated ring segment	Left hand	
74	GO402AVG6	Elongated ring segment	Right hand	
75	GO298VY3	Bar		
76	GO402ARM11	Guide		
77	GO471CL2	Roller support moulding		
78	GO471CL7	Roller support moulding		
79	GO402ATM5	Moulding		