

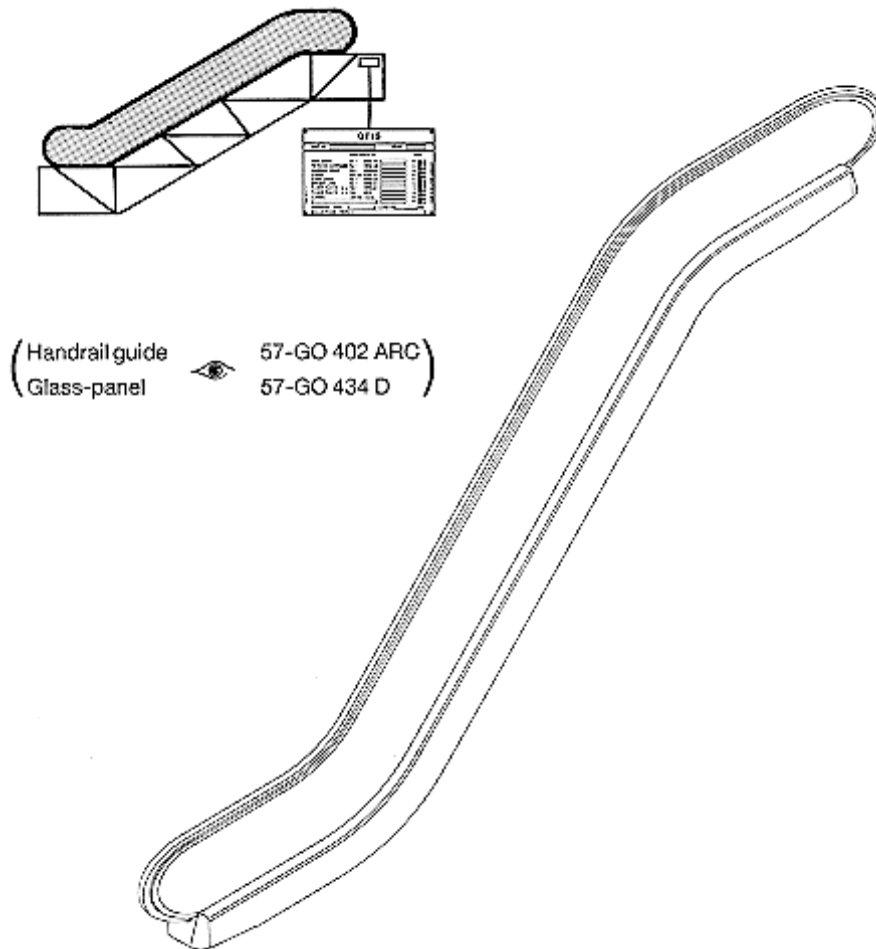
SPL 57-GO9703W - Balustrade Stainless Steel (Balustrade Finish "G 03") (only For Replacement)

Unpublished Work - © Otis Elevator Company. Any unauthorized reproduction, disclosure, or distribution of copies or content by any person of any portion of this work may be a violation of Copyright Law of the United States of America. All rights reserved.

OTIS 506

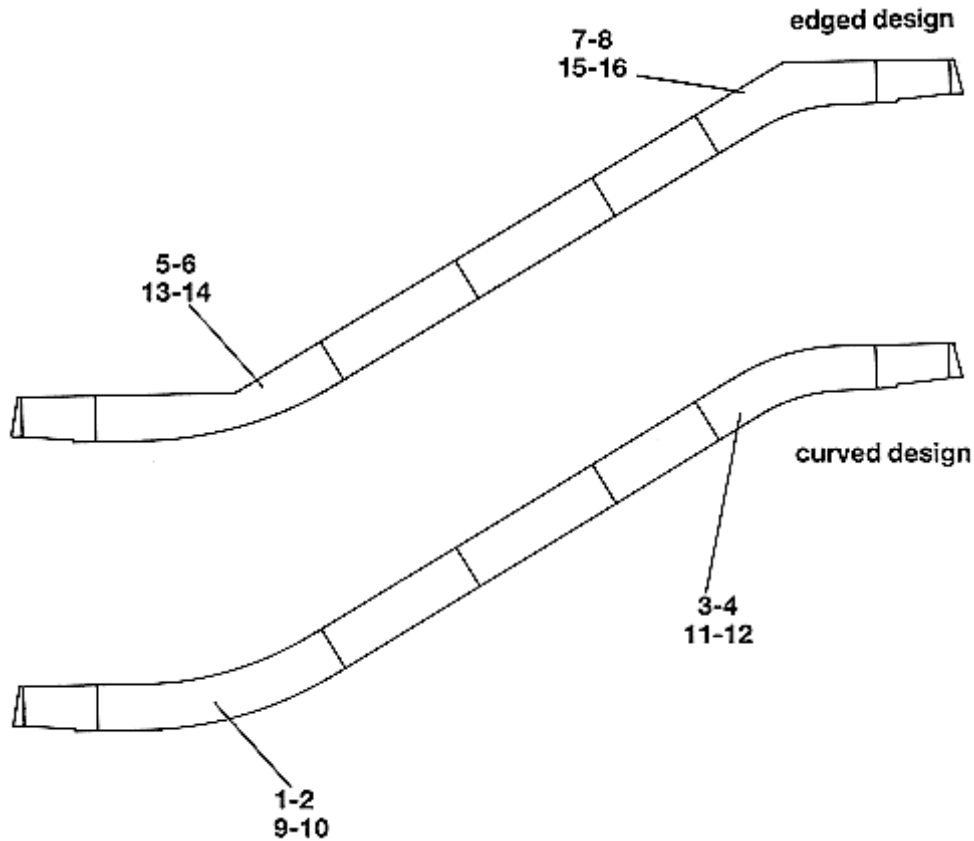
January 1989

Page 1



SPL 57-GO9703W - Balustrade Stainless Steel (Balustrade Finish "G 03") (only For Replacement)

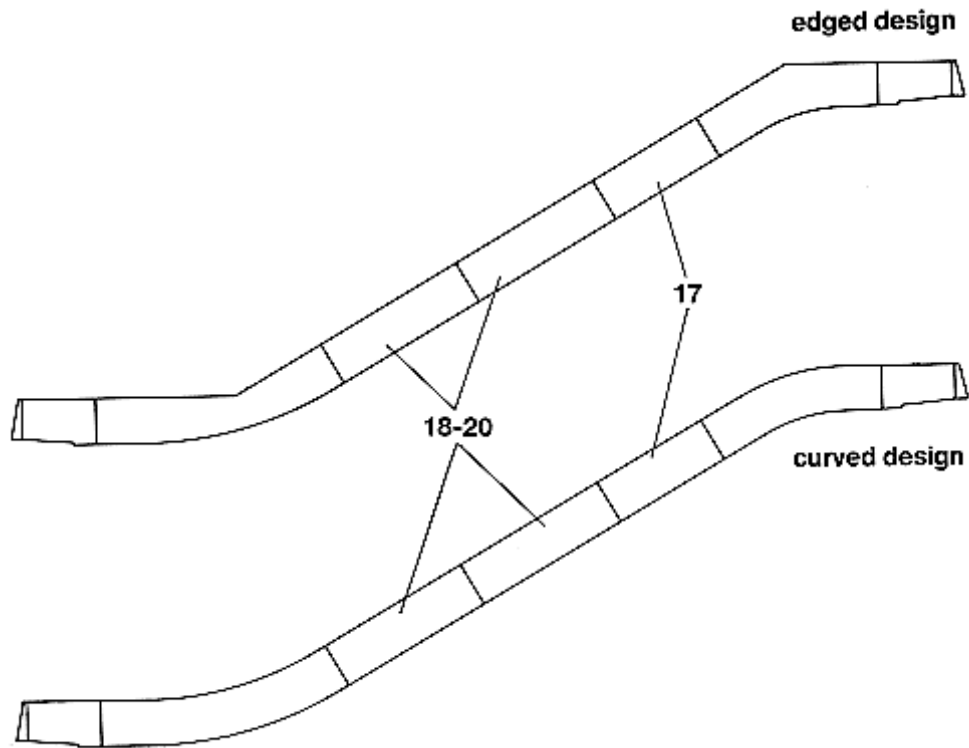
Page 3 - BALUSTRADE STAINL.-STEEL SKIRT-PANEL



VINTAGE G.01		DESCRIPTION					
REF. No	PART OR ML						
1	GO438AJC5	Skirt-Panel	Left hand	lower			
2	GO438AJC6	Skirt-Panel	Right hand	landing	curved		
3	GO438AJD5	Skirt-Panel	Left hand	upper	design		
4	GO438AJD6	Skirt-Panel	Right hand	landing		ST ST	35°
5	GO438AJC7	Skirt-Panel	Left hand	lower		Isotrep	
6	GO438AJC8	Skirt-Panel	Right hand	landing	edged		
7	GO438AJD7	Skirt-Panel	Left hand	upper	design		
8	GO438AJD8	Skirt-Panel	Right hand	landing			
9	GO438AJA5	Skirt-Panel	Left hand	lower			
10	GO438AJA6	Skirt-Panel	Right hand	landing	curved		
11	GO438AJB5	Skirt-Panel	Left hand	upper	design		
12	GO438AJB6	Skirt-Panel	Right hand	landing		ST ST	30°
13	GO438AJA7	Skirt-Panel	Left hand	lower		Isotrep	
14	GO438AJA8	Skirt-Panel	Right hand	landing	edged		
15	GO438AJB7	Skirt-Panel	Left hand	upper	design		
16	GO438AJB8	Skirt-Panel	Right hand	landing			

SPL 57-GO9703W - Balustrade Stainless Steel (Balustrade Finish "G 03") (only For Replacement)

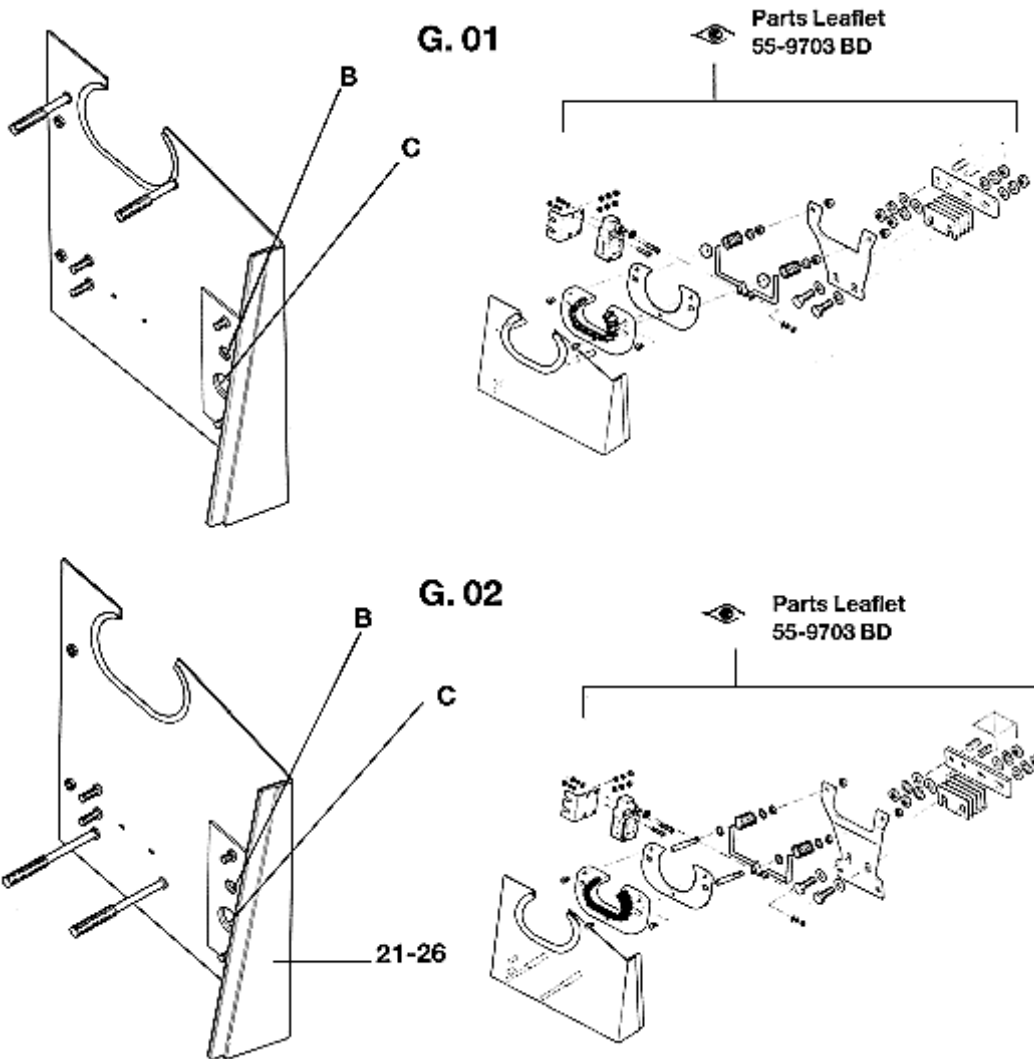
Page 4



VINTAGE G.01				
REF. No	PART OR ML	DESCRIPTION		
17	GO438AFM23	Skirt-Panel, 1480 mm		
18	GO438AFM-V10	Skirt-Panel, 600-1000 mm		inclined
19	GO438AFM-V11	Skirt-Panel, 1001-1480 mm To be cut according to the dimensions	ST ST	section
20	GO438AFM-V12	Skirt-Panel, 1481-2080 mm	Isotrep	

SPL 57-GO9703W - Balustrade Stainless Steel (Balustrade Finish "G 03") (only For Replacement)

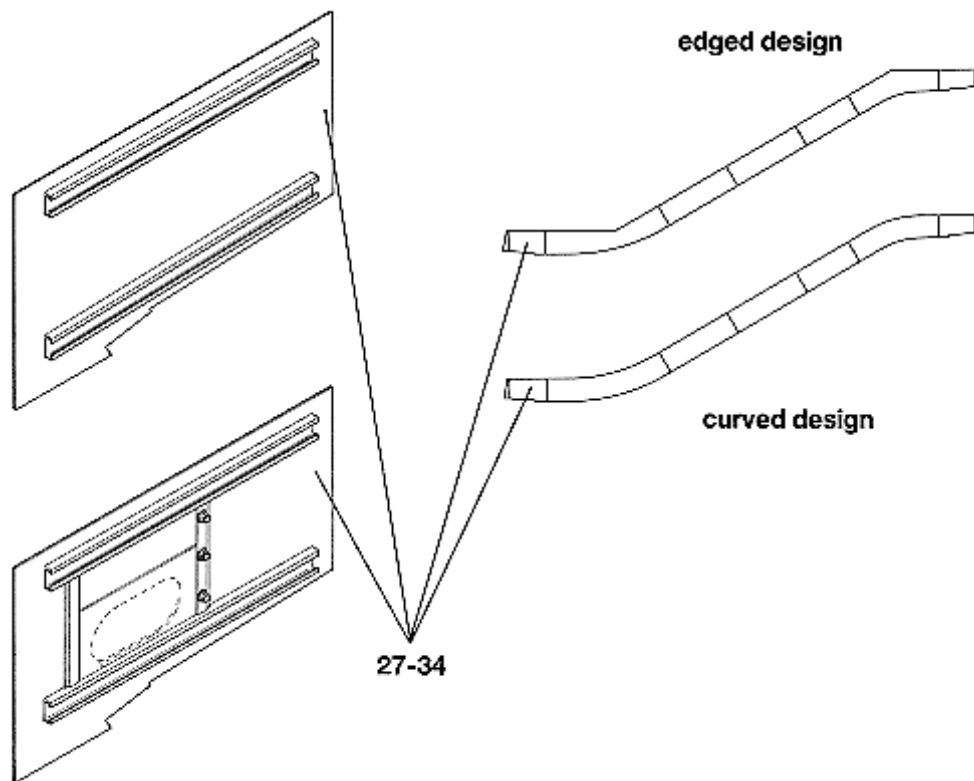
Page 5



VINTAGE						
	G.01	G.02				
REF. No	PART OR ML	PART OR ML	DESCRIPTION			
			HOLE			
			B	C		
21	9703AK1	A9703AK1	Kick-Plate	Without	Without	Tortulen
22	9703AK2	A9703AK2	Kick-Plate	With	With	
23	9703AK3	A9703AK3	Kick-Plate	Without	Without	Isotrep
24	9703AK4	A9703AK4	Kick-Plate	With	With	
25	9703AK5	A9703AK5	Kick-Plate	Without	Without	Tortulen
26	9703AK6	A9703AK6	Kick-Plate	With	Without	Isotrep

SPL 57-GO9703W - Balustrade Stainless Steel (Balustrade Finish "G 03") (only For Replacement)

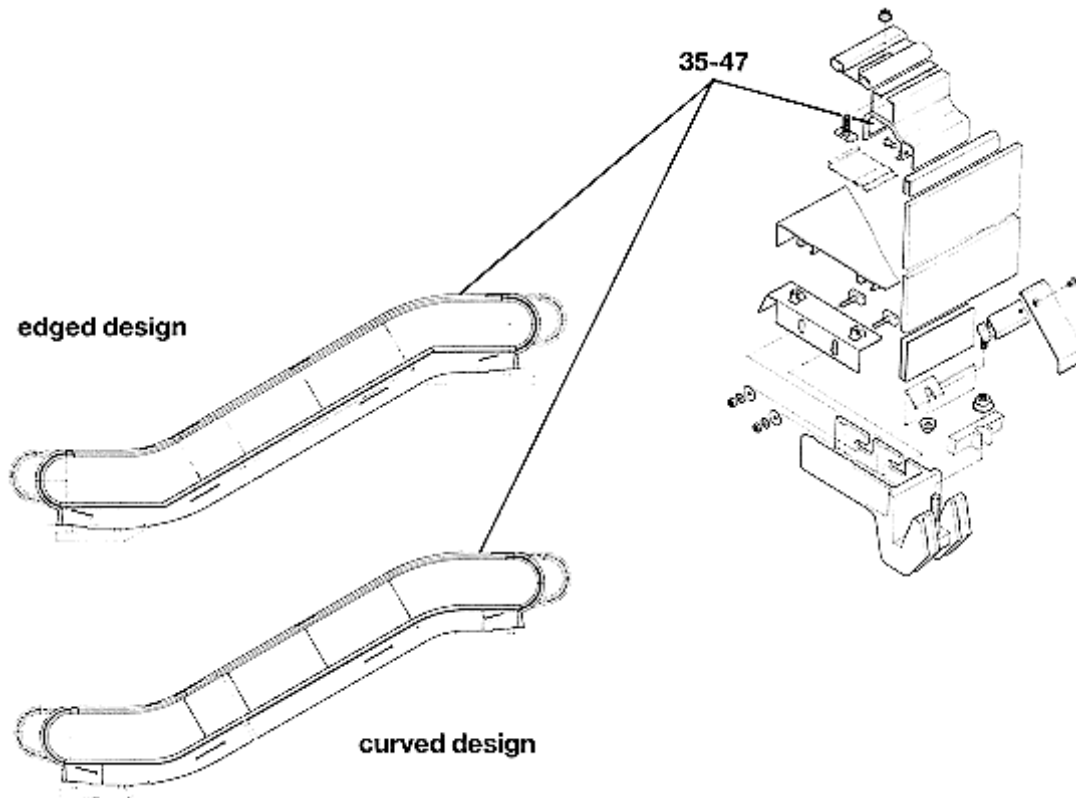
Page 6



VINTAGE G.01		DESCRIPTION			
REF. No	PART OR ML				
27	GO9703BD1	Skirt-Panel	Left hand	Tortulen	
28	GO9703BD2	Skirt-Panel	Right hand		With hole
29	GO9703BD3	Skirt-Panel	Left hand	Isotrep	
30	GO9703BD4	Skirt-Panel	Right hand		
31	GO438AJY3	Skirt-Panel	Left hand	Tortulen	
32	GO438AJY4	Skirt-Panel	Right hand		Without hole
33	GO438AJY7	Skirt-Panel	Left hand	Isotrep	
34	GO438AJY8	Skirt-Panel	Right hand		

SPL 57-GO9703W - Balustrade Stainless Steel (Balustrade Finish "G 03") (only For Replacement)

Page 7 - BALUSTRADE SUPPORTING PROFILE STAINLESS STEEL

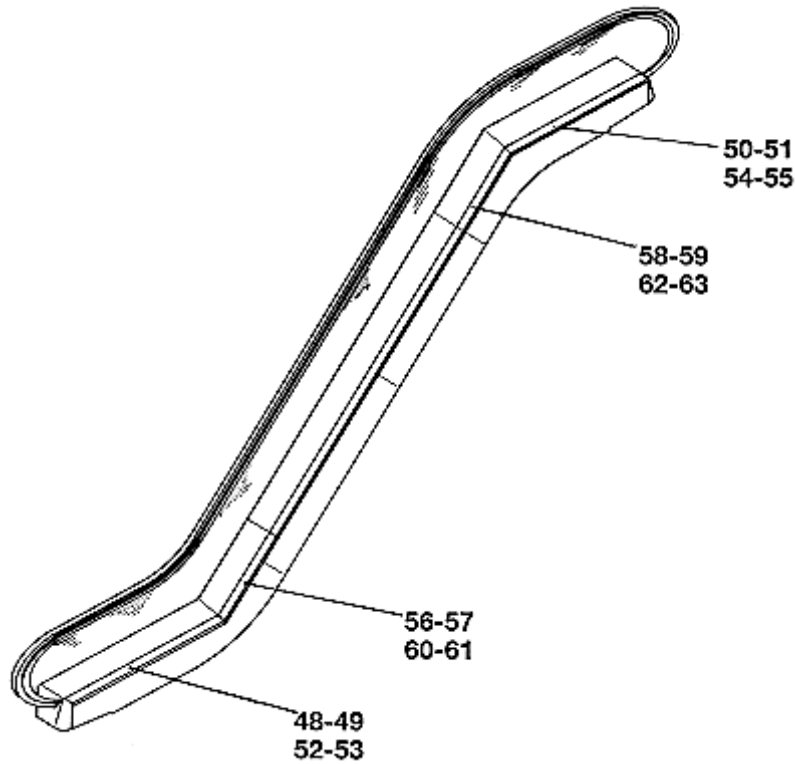


VINTAGE G.01		DESCRIPTION					
REF. No	PART OR ML	DESCRIPTION					
35	GO402ASP1	Supporting profile	Left hand	lower			
36	GO402ASP2	Supporting profile	Right hand	landing	30°		
37	GO402AVD1	Supporting profile	Left hand	upper			
38	GO402AVD2	Supporting profile	Right hand	landing			
39	GO402ASP3	Supporting profile	Left hand	lower			
40	GO402ASP4	Supporting profile	Right hand	landing	35°		
41	GO402AVD3	Supporting profile	Left hand	upper			ST ST
42	GO402AVD4	Supporting profile	Right hand	landing			
43	GO402AWE1	Supporting profile	1450 mm				
44	GO402AWE2	Supporting profile	2450 mm			inclined	
45	GO402AWE-V1	Supporting profile	0-1400mm			section	
46	GO402AWE-V2	Supporting profile	1401-1900mm				
47	GO402AWE-V3	Supporting profile	1901-2400 mm				

SPL 57-GO9703W - Balustrade Stainless Steel (Balustrade Finish "G 03") (only For Replacement)

Page 8 - BALUSTRADE INNERDECKING PROFILE STAINLESS STEEL

edged design

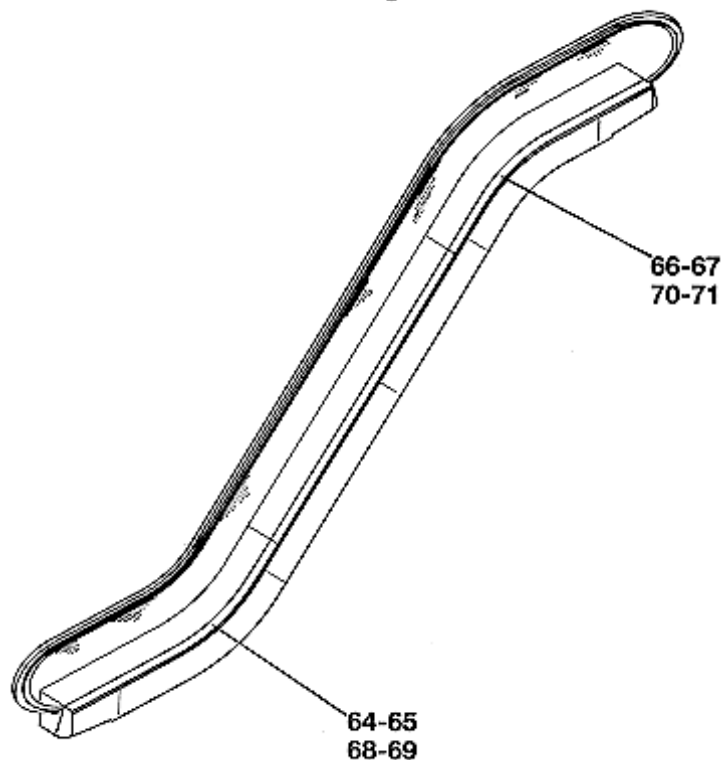


VINTAGE G.01		DESCRIPTION					
REF. No	PART OR ML						
48	GO402AVJ1	Innerdecking profile	Left hand	lower			
49	GO402AVJ2	Innerdecking profile	Right hand	landing	30°		
50	GO402AVM1	Innerdecking profile	Left hand	upper			
51	GO402AVM2	Innerdecking profile	Right hand	landing			
52	GO402AVJ3	Innerdecking profile	Left hand	glower			
53	GO402AVJ4	Innerdecking profile	Right hand	landing	35°		
54	GO402AVM3	Innerdecking profile	Left hand	upper		edged	
55	GO402AVM4	Innerdecking profile	Right hand	landing		design	ST ST
56	GO402AVL1	Innerdecking profile	Left hand	low.land.			
57	GO402AVL2	Innerdecking profile	Right hand	inclined	30°		
58	GO402AVR1	Innerdecking profile	Left hand	upp.land.			
59	GO402AVR2	Innerdecking profile	Right hand	inclined			
60	GO402AVL3	Innerdecking profile	Left hand	low.land.			
61	GO402AVL4	Innerdecking profile	Right hand	inclined	35°		
62	GO402AVR3	Innerdecking profile	Left hand	upp.land.			
63	GO402AVR4	Innerdecking profile	Right hand	inclined			

SPL 57-GO9703W - Balustrade Stainless Steel (Balustrade Finish "G 03") (only For Replacement)

Page 9

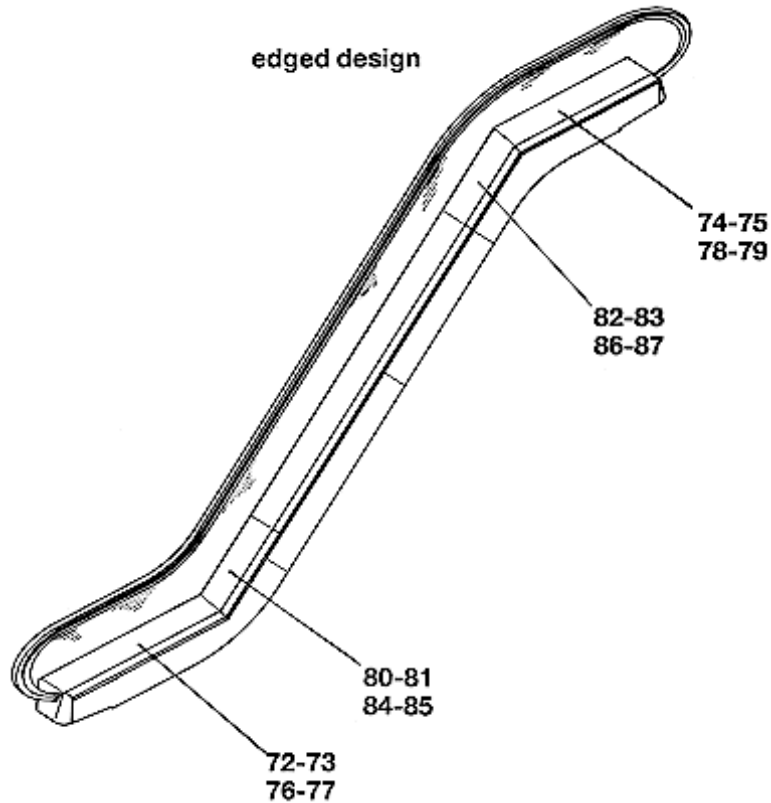
curved design



VINTAGE G. 01							
REF. No	PART OR ML	DESCRIPTION					
64	GO402AVK1	Innerdecking profile	Left hand	lower			
65	GO402AVK2	Innerdecking profile	Right hand	landing	30°		
66	GO402AVP1	Innerdecking profile	Left hand	upper			
67	GO402AVP2	Innerdecking profile	Right hand	landing		curved	
68	GO402AVK3	Innerdecking profile	Left hand	lower		design	ST ST
69	GO402AVK4	Innerdecking profile	Right hand	landing	35°		
70	GO402AVP3	Innerdecking profile	Left hand	upper			
71	GO402AVP4	Innerdecking profile	Right hand	landing			

SPL 57-GO9703W - Balustrade Stainless Steel (Balustrade Finish "G 03") (only For Replacement)

Page 10

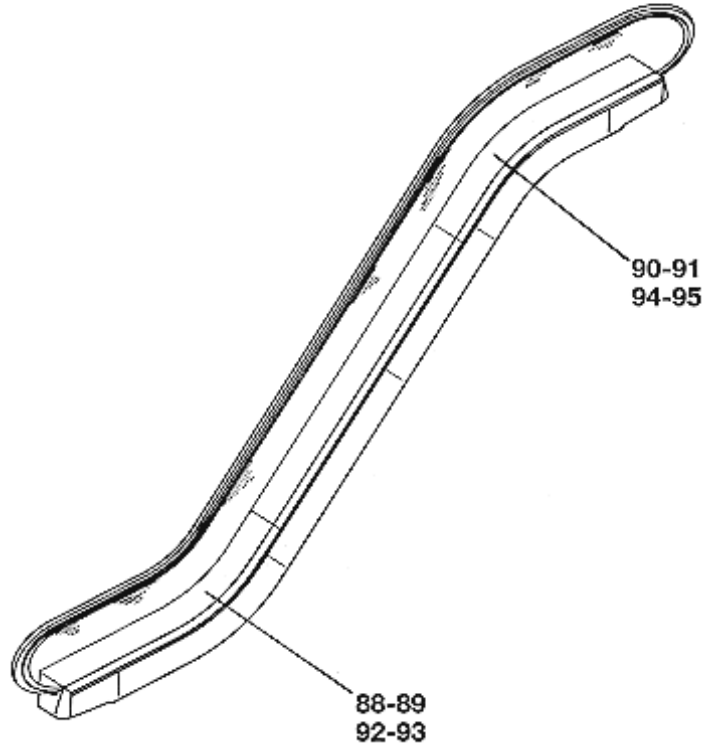


VINTAGE G. 01							
REF. No	PART OR ML	DESCRIPTION					
72	GO402AVT1	Outerdecking profile	Left hand	lower			
73	GO402AVT2	Outerdecking profile	Right hand	landing	30°		
74	GO402AVY1	Outerdecking profile	Left hand	upper			
75	GO402AVY2	Outerdecking profile	Right hand	landing			
76	GO402AVT3	Outerdecking profile	Left hand	lower			
77	GO402AVT4	Outerdecking profile	Right hand	landing	35°		
78	GO402AVY3	Outerdecking profile	Left hand	upper		edged	
79	GO402AVY4	Outerdecking profile	Right hand	landing		design	ST ST
80	GO402AVV1	Outerdecking profile	Left hand	low.land.			
81	GO402AVV2	Outerdecking profile	Right hand	inclined	30°		
82	GO402AWB1	Outerdecking profile	Left hand	upp.land.			
83	GO402AWB2	Outerdecking profile	Right hand	inclined			
84	GO402AVV3	Outerdecking profile	Left hand	low.land.			
85	GO402AVV4	Outerdecking profile	Right hand	inclined	35°		
86	GO402AWB3	Outerdecking profile	Left hand	upp.land.			
87	GO402AWB4	Outerdecking profile	Right hand	inclined			

SPL 57-GO9703W - Balustrade Stainless Steel (Balustrade Finish "G 03") (only For Replacement)

Page 11

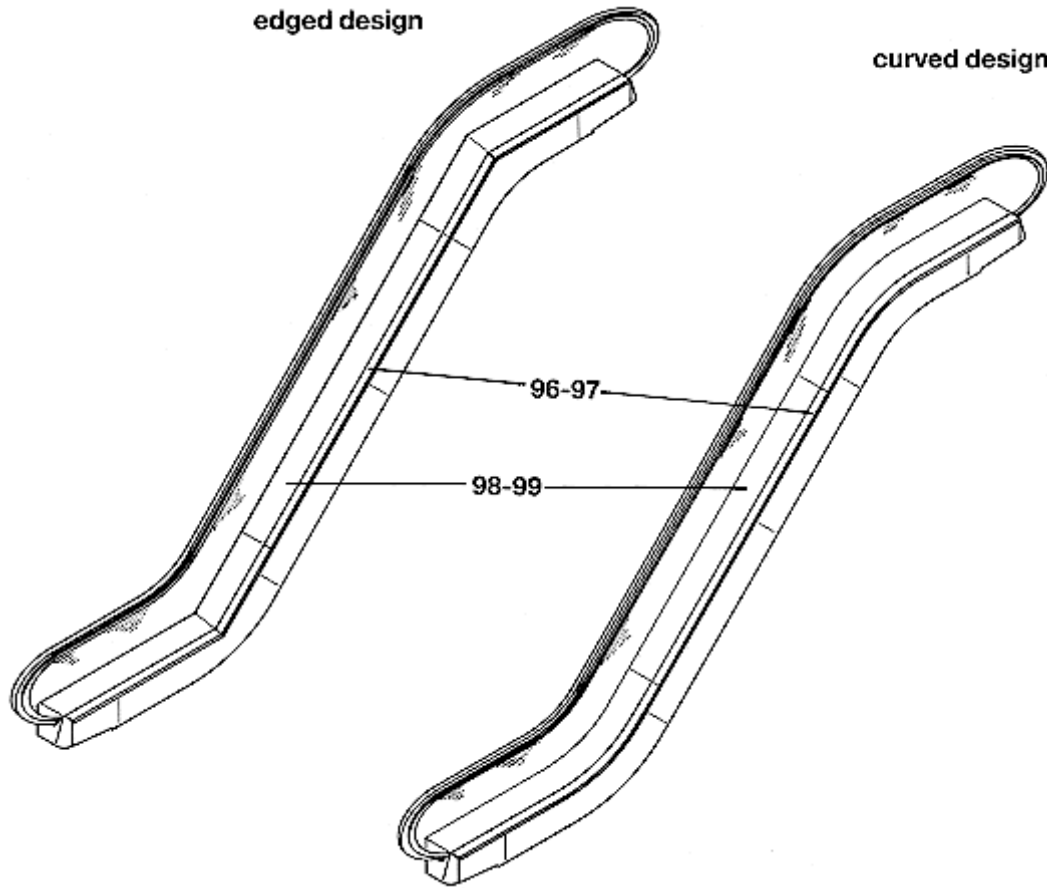
curved design



VINTAGE G. 01							
REF. No	PART OR ML	DESCRIPTION					
88	GO402AVS1	Outerdecking profile	Left hand	lower			
89	GO402AVS2	Outerdecking profile	Right hand	landing	30°		
90	GO402AVW1	Outerdecking profile	Left hand	upper			
91	GO402AVW2	Outerdecking profile	Right hand	landing		curved	
92	GO402AVS3	Outerdecking profile	Left hand	lower		design	ST ST
93	GO402AVS4	Outerdecking profile	Right hand	landing	35°		
94	GO402AVW3	Outerdecking profile	Left hand	upper			
95	GO402AVW4	Outerdecking profile	Right hand	landing			

SPL 57-GO9703W - Balustrade Stainless Steel (Balustrade Finish "G 03") (only For Replacement)

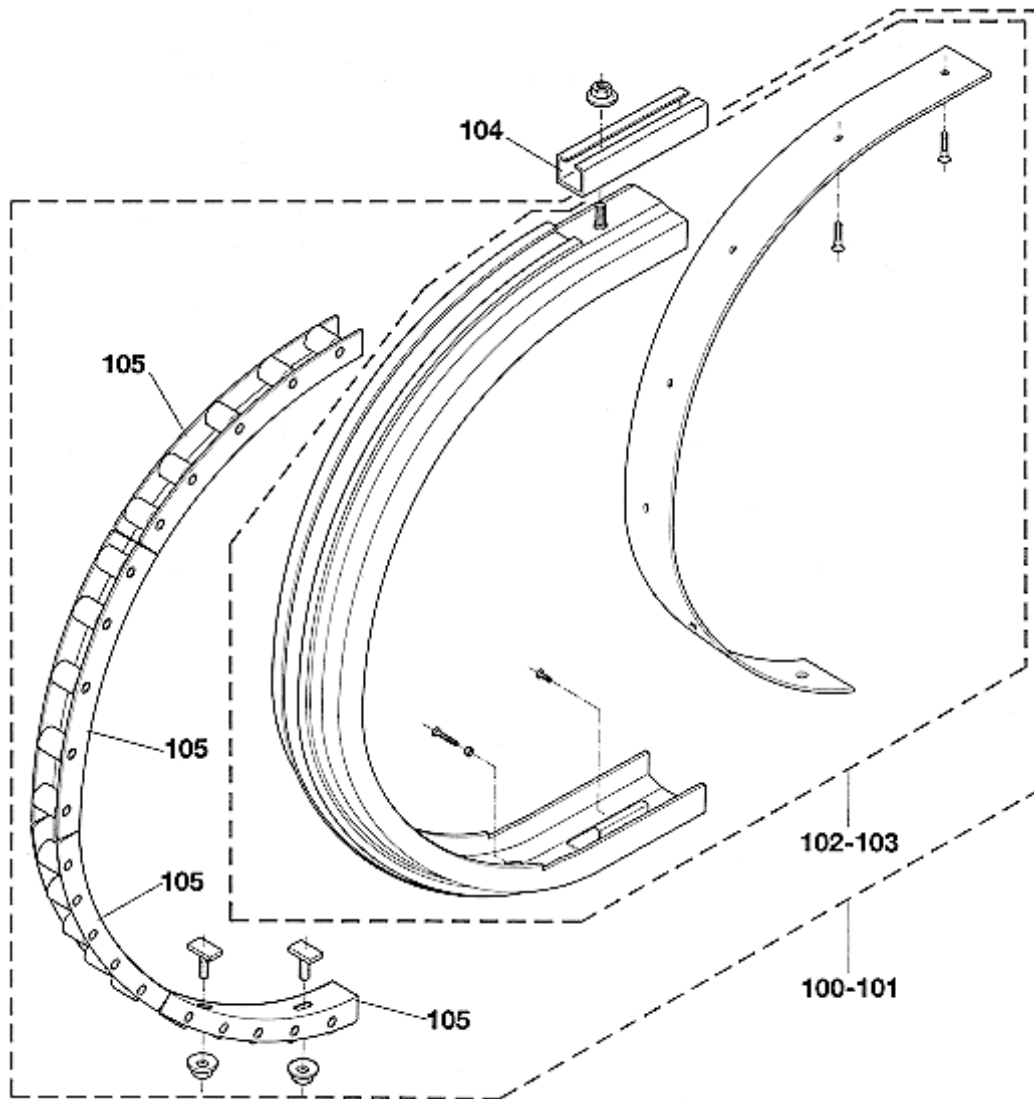
Page 12 - BALUSTRADE STAINLESS STEEL INNERDECKING OUTERDECKING PROFILE



VINTAGE G. 01					
REF. No	PART OR ML	DESCRIPTION			
96	GO402ATR1	Innerdecking profile	Left hand + Right hand	1450 mm	
97	GO402ATR2			2450 mm	inclined
98	GO402AWD1	Outerdecking profile	Left hand + Right hand	1450 mm	section
99	GO402AWD2			2450 mm	

SPL 57-GO9703W - Balustrade Stainless Steel (Balustrade Finish "G 03") (only For Replacement)

Page 13 - BALUSTRADE NEWEL STAINLESS STEEL



VINTAGE G. 01				
REF. No	PART OR M.L.	DESCRIPTION		
100	GO402AVH1	Newel	Left hand	
101	GO402AVH2	Newel	Right hand	
102	GO402ATX1	Circular ring segment	Left hand	
103	GO402ATX2	Circular ring segment	Right hand	
104	GO402ATM3	Moulding		
105	GO471CL1	Roller support moulding		