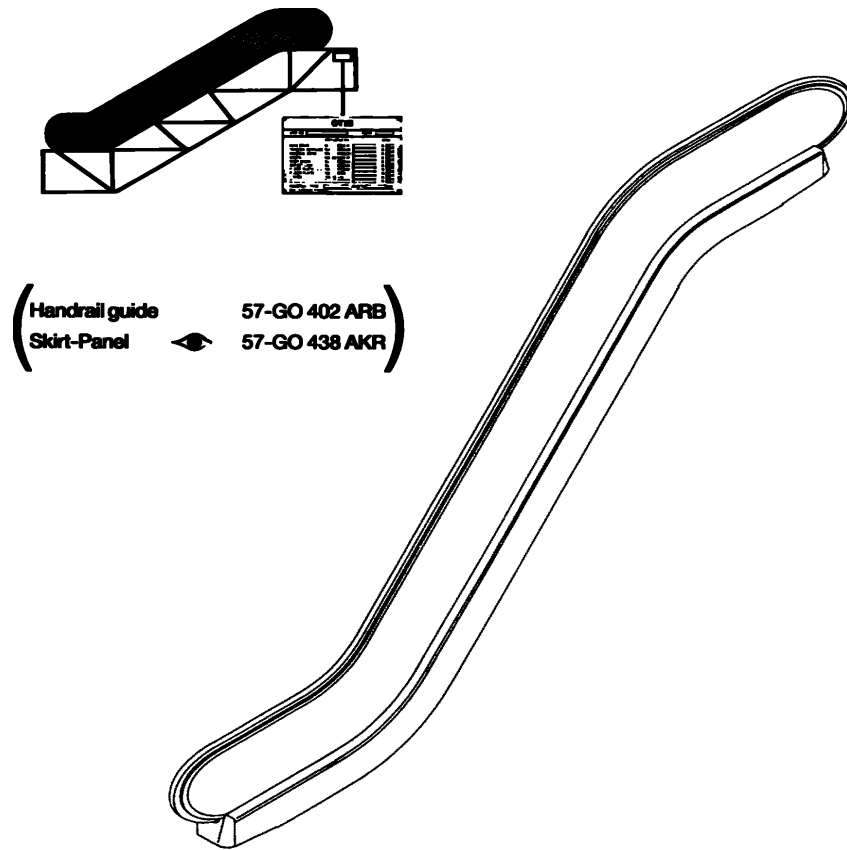


SPL 57-GO9704CX - Escalator Balustrade, Opaque, 510

Unpublished Work - © Otis Elevator Company. Any unauthorized reproduction, disclosure, or distribution of copies or content by any person of any portion of this work may be a violation of Copyright Law of the United States of America. All rights reserved.

January 1989

Page 1



SPL 57-GO9704CX - Escalator Balustrade, Opaque, 510

Page 2 - Balustrade Opaque Supporting Profile, Otis 510

When ordering the balustrade parts please give "balustrade finish", as indicated on the type tag.

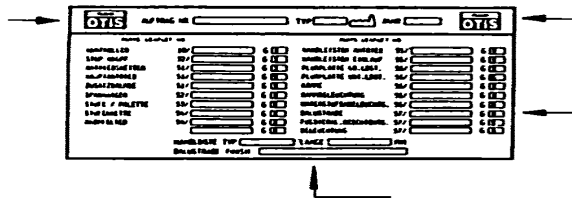
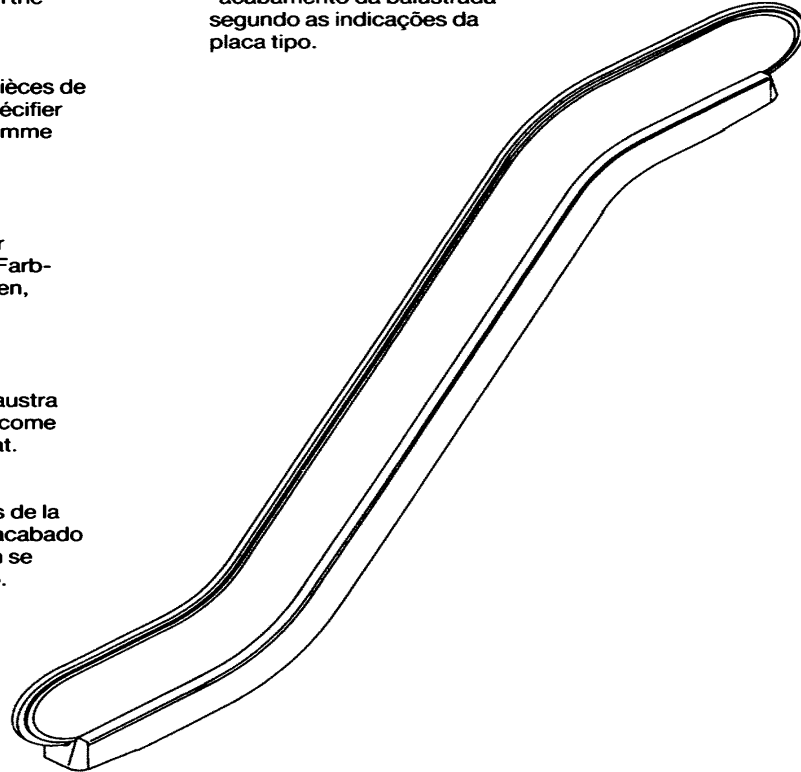
Ao encomendar elementos da balustrada indicar "acabamento da balustrada" segundo as indicações da placa tipo.

A la commande des pièces de balustrade veuillez spécifier «balustrade finish» comme indique sur la plaque d'identifié.

Bei der Bestellung der Balustradenteile den Farb- oder Eloxalton angeben, siehe Typenschild.

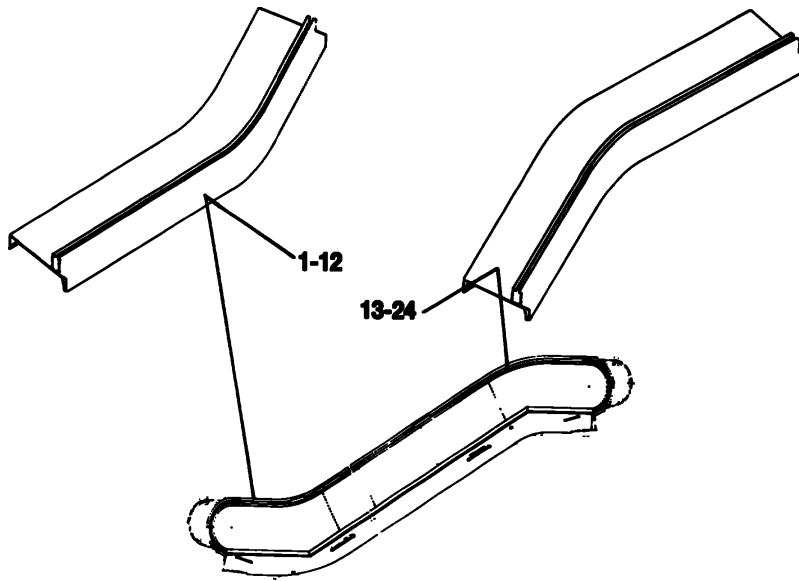
Nella ordinazione dei componenti della balaustra precisarne la finitura, come indicato sulla targa dat.

Al pedir los elementos de la balaustrada indicar «acabado de laluastrada» segun se indica en la placa tipo.



Page 2 - Balustrade Opaque Supporting Profile, Otis 510

VINTAGE G. 01		
REF. No.	PART or M.L.	DESCRIPTION
		Balustrade Handrail Guide See Parts Leaflet * 57-GO402ARB
		Balustrade Skirt Panel See Parts Leaflet * 57-GO438AKR
		Balustrade Supporting Profile , Stainless Steel See pp. 3 and 4



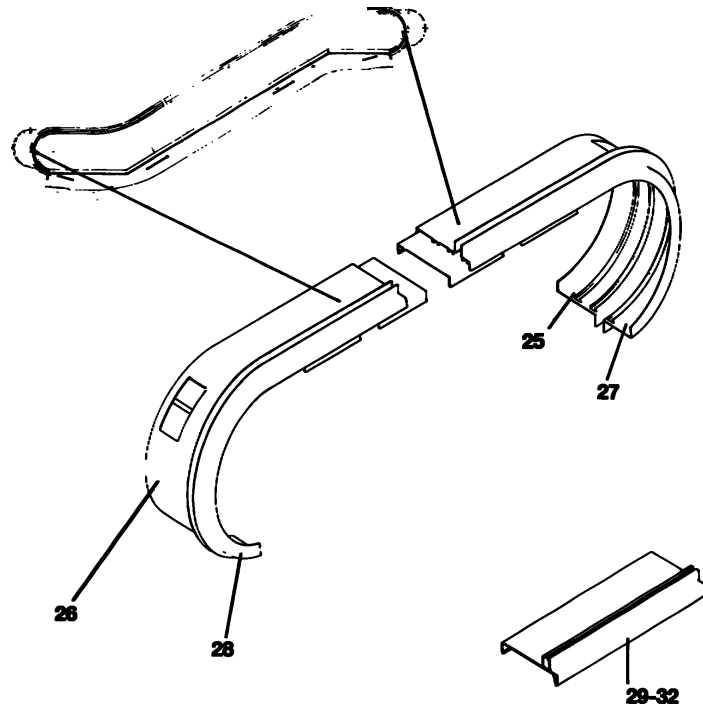
SPL 57-GO9704CX - Escalator Balustrade, Opaque, 510

Page 3 - Balustrade Opaque Supporting Profile, Otis 510

VINTAGE G. 01							
REF. No.	PART No.	DESCRIPTION					
1	GO402AXP7	Supporting Profile	LH	2 Flat Steps	510 -M 30 degrees	Lower Landing	St. Steel
2	GO402AXP8		RH				
3	GO402AXP5		LH	3 Flat Steps			
4	GO402AXP6		RH				
5	GO402AXP11		LH	2 Flat Steps	510 -S 30 degrees		
6	GO402AXP12		RH				
7	GO402AXP9		LH	3 Flat Steps			
8	GO402AXP10		RH				
9	GO402AXP3		LH	2 Flat Steps	510 -S 27,3 degrees		
10	GO402AXP4		RH				
11	GO402AXP1		LH	3 Flat Steps			
12	GO402AXP2		RH				
13	GO402AXG7		LH	2 Flat Steps	510 -M 30 degrees	Upper Landing	
14	GO402AXG8		RH				
15	GO402AXG5		LH	3 Flat Steps			
16	GO402AXG6		RH				
17	GOR02AXG11		LH	2 Flat Steps	510 -S 30 degrees		
18	GO402AXG12		RH				
19	GO402AXG9		LH	3 Flat Steps			
20	GO402AXG10		RH				
21	4O402AXG3		LH	2 Flat Steps	510 -S 27,3 degrees		
22	GO402AXG4		RH				
23	GO402AXG1		LH	3 Flat Steps			
24	GO402AXG2		RH				

SPL 57-GO9704CX - Escalator Balustrade, Opaque, 510

Page 4 - Balustrade Opaque Supporting Profile, Otis 510



Page 4 - Balustrade Opaque Supporting Profile, Otis 510

VINTAGE G. 01		
REF. No.	PART No.	DESCRIPTION
25	9704HX1	Newel, Outside, LH
26	9704HX2	Newel, Outside, RH
27	9704JA1	Newel, Inside, LH
28	9704JA2	Newel, Inside, RH
29	GO402AXF1	Supporting Profile, 2900 mm, Inclined Section
30	GO402AXF2	Supporting Profile, 1450 mm, Inclined Section
31	GO402AXF-V1	Supporting Profile, 1-1450 mm, Inclined Section
32	GO402AXF-V2	Supporting Profile, 1451-2900 mm, Inclined Section