

Page 2 - Balustrade, Stainless Steel

When ordering the balustrade parts please give "balustrade finish", as indicated on the type tag.

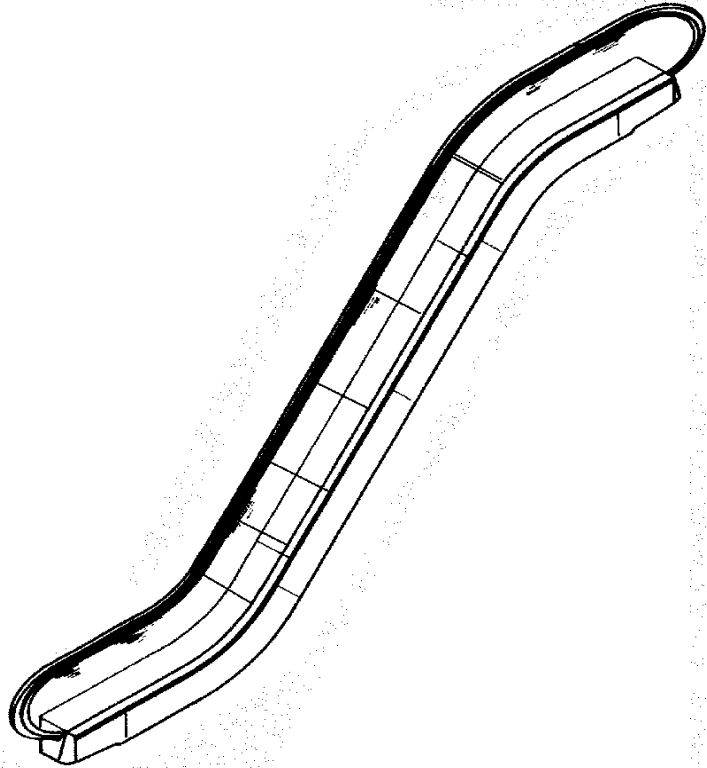
Ao encomendar elementos da balustrada indicar "acabamento da balustrada" segundo as indicações da placa tipo.

A la commande des pièces de balustrade veuillez spécifier «balustrade finish» comme indique sur la plaque d'identifié.

Bei der Bestellung der Balustradenteile den Farb- oder Eloxalton angeben, siehe Typenschild.

Nella ordinazione dei componenti della balastrada precisare la finitura, come indicato sulla targa dat.

Al pedir los elementos de la balastrada indicar «acabado de lalustrada» segun se indica en la placa tipo.



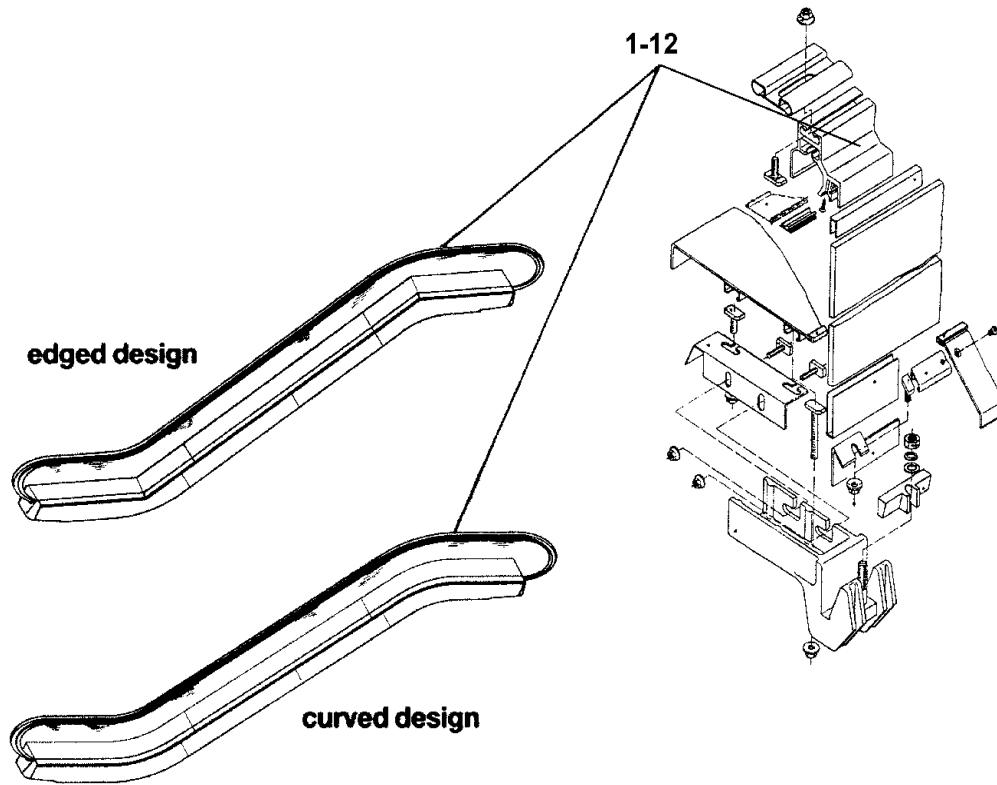
OTIS		PARTS LIST		TYPE		PARTS LIST		OTIS	
CONTROLLED	SP/	<input type="checkbox"/>	CONTROLLED	SP/	<input type="checkbox"/>	CONTROLLED	SP/	<input type="checkbox"/>	CONTROLLED
TYPE 510	SP/	<input type="checkbox"/>	TYPE 510	SP/	<input type="checkbox"/>	TYPE 510	SP/	<input type="checkbox"/>	TYPE 510
APPROXIMATE PRICE	SP/	<input type="checkbox"/>	APPROXIMATE PRICE	SP/	<input type="checkbox"/>	APPROXIMATE PRICE	SP/	<input type="checkbox"/>	APPROXIMATE PRICE
ALUMINUM	SP/	<input type="checkbox"/>	ALUMINUM	SP/	<input type="checkbox"/>	ALUMINUM	SP/	<input type="checkbox"/>	ALUMINUM
STAINLESS	SP/	<input type="checkbox"/>	STAINLESS	SP/	<input type="checkbox"/>	STAINLESS	SP/	<input type="checkbox"/>	STAINLESS
SPRINKLER	SP/	<input type="checkbox"/>	SPRINKLER	SP/	<input type="checkbox"/>	SPRINKLER	SP/	<input type="checkbox"/>	SPRINKLER
SMOKE / PROTECT	SP/	<input type="checkbox"/>	SMOKE / PROTECT	SP/	<input type="checkbox"/>	SMOKE / PROTECT	SP/	<input type="checkbox"/>	SMOKE / PROTECT
5-PHASE PUL	SP/	<input type="checkbox"/>	5-PHASE PUL	SP/	<input type="checkbox"/>	5-PHASE PUL	SP/	<input type="checkbox"/>	5-PHASE PUL
WIND IN RED	SP/	<input type="checkbox"/>	WIND IN RED	SP/	<input type="checkbox"/>	WIND IN RED	SP/	<input type="checkbox"/>	WIND IN RED
REAR PANEL TYPE	SP/	<input type="checkbox"/>	REAR PANEL TYPE	SP/	<input type="checkbox"/>	REAR PANEL TYPE	SP/	<input type="checkbox"/>	REAR PANEL TYPE
REAR PANEL TYPE	SP/	<input type="checkbox"/>	REAR PANEL TYPE	SP/	<input type="checkbox"/>	REAR PANEL TYPE	SP/	<input type="checkbox"/>	REAR PANEL TYPE

SPL 57-GO9704DS - Escalator Balustrade, Glass, 510 Stainless Steel

Page 2 - Balustrade, Stainless Steel

VINTAGE G. 01		
REF. No.	PART No.	DESCRIPTION
---	---	Balustrade, Glass Panel, See SPL 57-GO434A
		Balustrade, Handrail Guide, See SPL 57-GO402ARB
		Balustrade, Skirt Panel, See SPL 57-438ALC
		Balustrade, Supporting Profile, Stainless Steel
		Balustrade, Inner- and Outerdecking Profile
		Balustrade, Fastening Parts for Decking Profile
		Balustrade, Newel

Page 3 - Balustrade Otis 510, Supporting Profile, Stainless

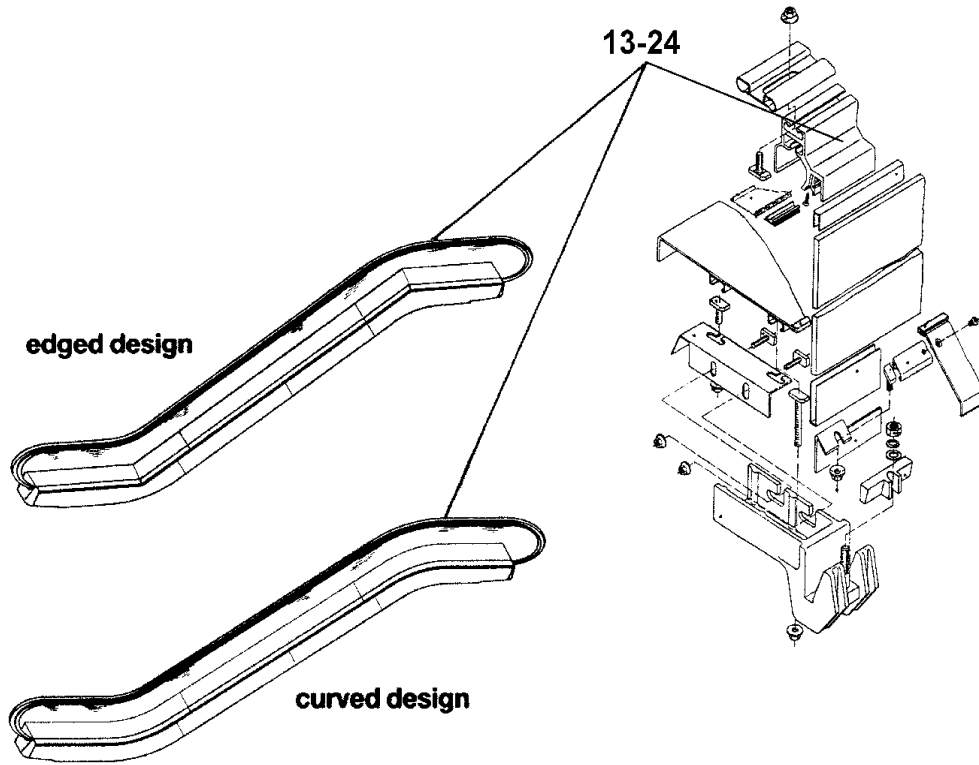


Page 3 - Balustrade Otis 510, Supporting Profile, Stainless

VINTAGE G. 01							
REF. No.	PART No.	DESCRIPTION					
1	GO402AVD5	Supporting Profile	Left Hand	2	510-M 30°	Upper Landing	Stainless Steel
2	GO402AVD6		Right Hand	Flat Steps			
3	GO402AVD7		Left Hand	3			
4	GO402AVD8		Right Hand	Flat Steps			
5	GO402AVD9		Left Hand	2	510-S 30°		
6	GO402AVD10		Right Hand	Flat Steps			
7	GO402AVD11		Right Hand	3			
8	GO402AVD12		Right Hand	Flat Steps			
9	GO402AVD13		Left Hand	2	510-S 27.3°		
10	GO402AVD14		Right Hand	Flat Steps			
11	GO402AVD15		Left Hand	3			
12	GO402AVD16		Right Hand	Flat Steps			

SPL 57-GO9704DS - Escalator Balustrade, Glass, 510 Stainless Steel

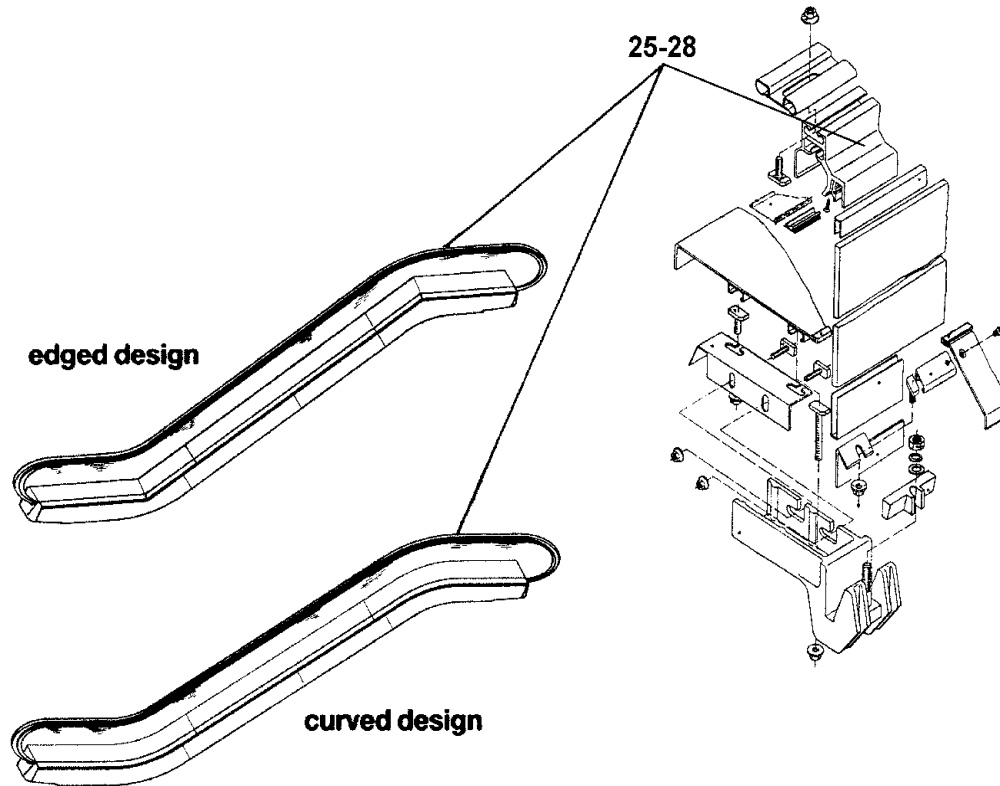
Page 4 - Balustrade Otis 510, Supporting Profile, Stainless



Page 4 - Balustrade Otis 510, Supporting Profile, Stainless

VINTAGE G. 01							
REF. No.	PART No.	DESCRIPTION					
13	GO402ASP5	Supporting Profile	Left Hand	2	510-M 30 degrees	Lower Landing	Stainless Steel
14	GO402ASP6		Right Hand	Flat Steps			
15	GO402ASP7		Left Hand	3			
16	GO402ASP8		Right Hand	Flat Steps			
17	GO402ASP9		Left Hand	2	510-S 30 degrees		
18	GO402ASP10		Right Hand	Flat Steps			
19	GO402ASP11		Left Hand	3			
20	GO402ASP12		Right Hand	Flat Steps			

Page 5 - Balustrade Otis 510, Supporting Profile, Stainless

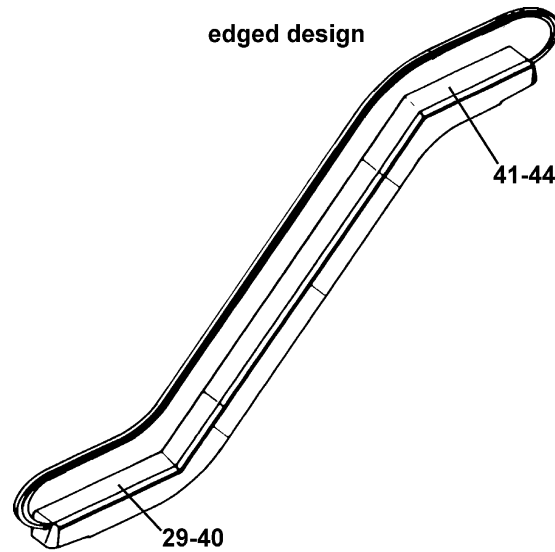


Page 5 - Balustrade Otis 510, Supporting Profile, Stainless

VINTAGE G. 01				
REF. No.	PART No.	DESCRIPTION		
25	GO402AXX1	Supporting Profile, 5800 mm	Inclined Section	Stainless Steel
26	GO402AXX-V1	Supporting Profile, 1-1000 mm		
27	GO402AXX-V2	Supporting Profile, 1001-2000 mm		
28	GO402AXX-V3	Supporting Profile, 2001-3000 mm		

SPL 57-GO9704DS - Escalator Balustrade, Glass, 510 Stainless Steel

Page 6 - Balustrade Otis 510, Outerdecking Profile, Stainless

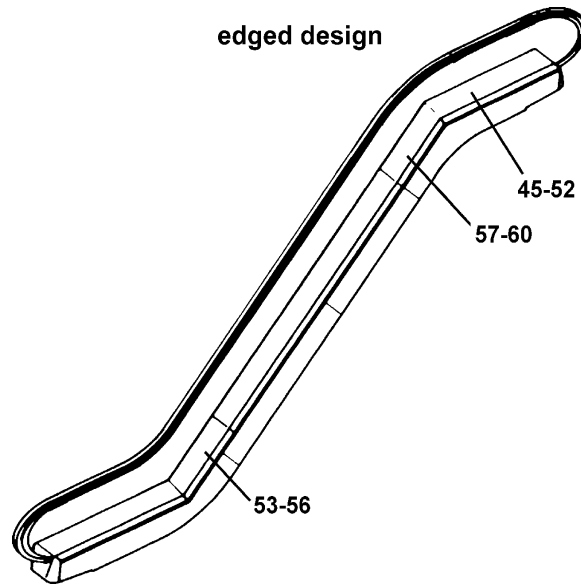


Page 6 - Balustrade Otis 510, Outerdecking Profile, Stainless

VINTAGE G. 01								
REF. No.	PART No.	DESCRIPTION						
29	GO402AVT5	Outerdecking Profile	Left Hand	2	510-M	Lower Landing, Edged Design	Stainless Steel	
30	GO402AVT6		Right Hand	Flat Steps	30			
31	GO402AVT7		Left Hand	3	degrees			
32	GO402AVT8		Right Hand	Flat Steps				
33	GO402AVT9		Left Hand	2	510-S			
34	GO402AVT10		Right Hand	Flat Steps	30			
35	GO402AVT11		Left Hand	3	degrees			
36	GO402AVT12		Right Hand	Flat Steps				
37	GO402AVT13		Left Hand	2	510-S			
38	GO402AVT14		Right Hand	Flat Steps	27.3			
39	GO402AVT15		Left Hand	3	degrees			
40	GO402AVT16		Right Hand	Flat Steps				
41	GO402AVY5		Left Hand	2	510-M			Upper Landing Edged Design
42	GO402AVY6		Right Hand	Flat Steps	35			
43	GO402AVY7		Left Hand	3	degrees			
44	GO402AVY8		Right Hand	Flat Steps				

SPL 57-GO9704DS - Escalator Balustrade, Glass, 510 Stainless Steel

Page 7 - Balustrade Otis 510, Outerdecking Profile, Stainless



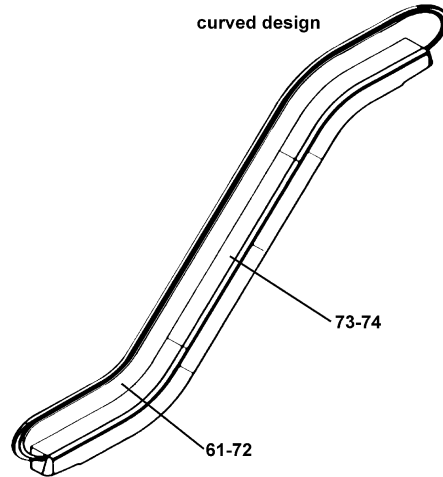
SPL 57-GO9704DS - Escalator Balustrade, Glass, 510 Stainless Steel

Page 7 - Balustrade Otis 510, Outerdecking Profile, Stainless

VINTAGE G. 01							
REF. No.	PART No.	DESCRIPTION					
45	GO402AVY9	Outerdecking Profile	Left Hand	2	510-S	Lower Landing, Edged Design	Stainless Steel
46	GO402AVY10		Right Hand	Flat Steps	30		
47	GO402AVY11		Left Hand	3	degrees		
48	GO402AVY12		Right Hand	Flat Steps			
49	GO402AVY13		Left Hand	2	510-S		
50	GO402AVY14		Right Hand	Flat Steps	27.3		
51	GO402AVY15		Left Hand	3	degrees	Lower Landing, Inclined	
52	GO402AVY16		Right Hand	Flat Steps			
53	GO402AVX5		Left Hand	---	510-M		
54	GO402AVX6		Right Hand		30 degrees		
55	GO402AVYX		Left Hand	---	510-S		
56	GO402AVX8		Right Hand		27.3 degrees		
57	GO402AWB5		Left Hand		510-M	Upper Landing, Inclined	
58	GO402AWB6		Right Hand		30 degrees		
59	GO402AWB7		Left Hand	---	510-S		
60	GO402AWB8		Right Hand		27.3 degrees		

SPL 57-GO9704DS - Escalator Balustrade, Glass, 510 Stainless Steel

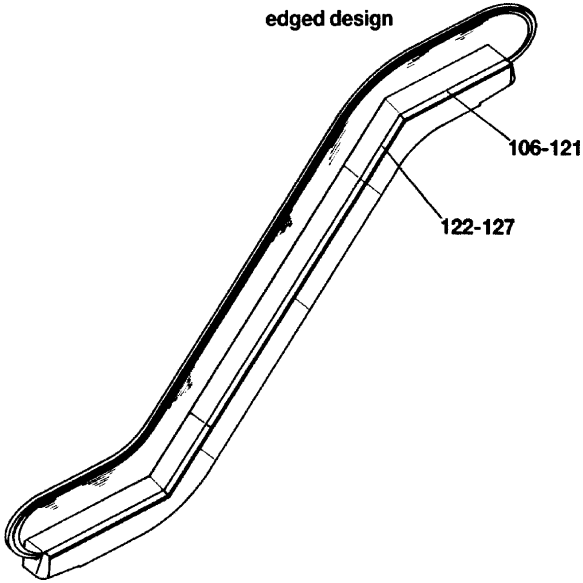
Page 8 - Balustrade Otis 510, Outerdecking Profile, Stainless



Page 8 - Balustrade Otis 510, Outerdecking Profile, Stainless

VINTAGE G. 01								
REF. No.	PART No.	DESCRIPTION						
61	GO402AVS5	Outerdecking Profile	Left Hand	2	510-M	Lower Landing, Curved Design	Stainless Steel	
62	GO402AVS6		Right Hand	Flat Steps	30			
63	GO402AVS7		Left Hand	3	Degrees			
64	GO402AVS8		Right Hand	Flat Steps				
65	GO402AVS9		Left Hand	2	510-S			
66	GO402AVS10		Right Hand	Flat Steps	30			
67	GO402AVS11		Left Hand	3	Degrees			
68	GO402AVS12		Right Hand	Flat Steps				
69	GO402AVS13		Left Hand	2	510-S			
70	GO402AVS14		Right Hand	Flat Steps	27.3			
71	GO402AVS15		Left Hand	3	degrees			
72	GO402AVS16		Right Hand	Flat Steps				
73	GO402AWD3		Left Hand +	5800 mm	---			Inclined Section
74	GO402AWD5		Right Hand	2900 mm	---			

Page 9 - Balustrade Otis 510, Outerdecking Profile, Stainless

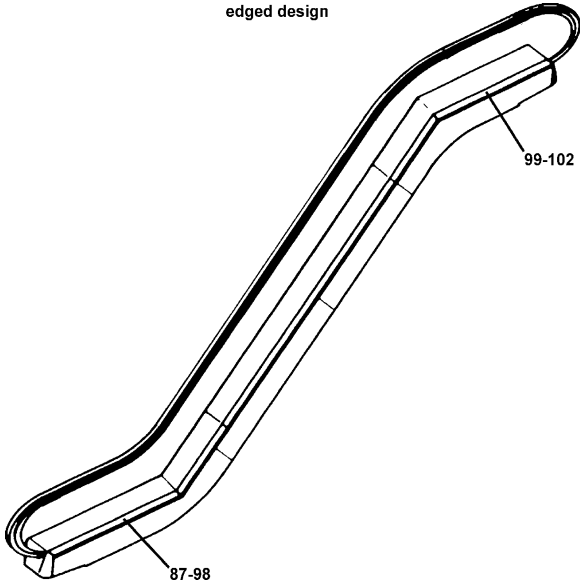


SPL 57-GO9704DS - Escalator Balustrade, Glass, 510 Stainless Steel

Page 9 - Balustrade Otis 510, Outerdecking Profile, Stainless

VINTAGE G. 01							
REF. No.	PART No.	DESCRIPTION					
75	GO402AVW5	Outerdecking Profile	Left Hand	2	510-M	Upper Landing, Curved Design	Stainless Steel
76	GO402AVW6		Right Hand	Flat Steps	30		
77	GO402AVW7		Left Hand	3	degrees		
78	GO402AVW8		Right Hand	Flat Steps			
79	GO402AVW9		Left Hand	2	510-S		
80	GO402AVW10		Right Hand	Flat Steps	30		
81	GO402AVW11		Left Hand	3	degrees		
82	GO402AVW12		Right Hand	Flat Steps			
83	GO402AVW13		Left Hand	2	510-S		
84	GO402AVW14		Right Hand	Flat Steps	27.3		
85	GO402AVW15		Left Hand	3	degrees		
86	GO402AVW16		Right Hand	Flat Steps			

Page 10 - Balustrade Otis 510, Innerdecking Profile, Stainless



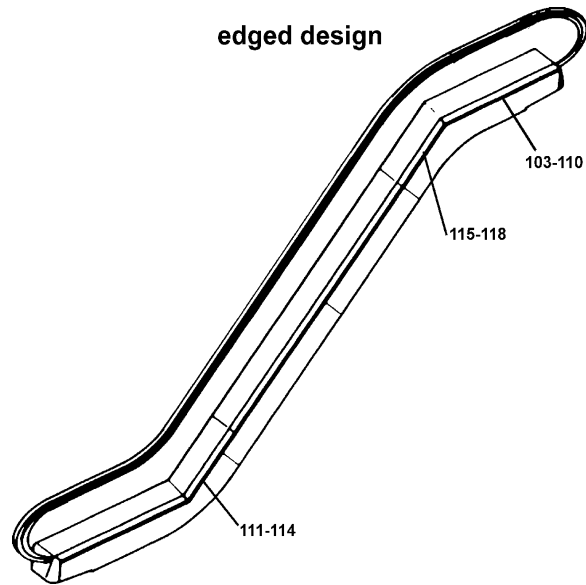
SPL 57-GO9704DS - Escalator Balustrade, Glass, 510 Stainless Steel

Page 10 - Balustrade Otis 510, Innerdecking Profile, Stainless

VINTAGE G. 01								
REF. No.	PART No.	DESCRIPTION						
87	GO402AVJ5	Innerdecking Profile	Left Hand	2	510-M	Lower Landing, Edged Design	Stainless Steel	
88	GO402AVJ6		Right Hand	Flat Steps	30			
89	GO402AVJ7		Left Hand	3	degrees			
90	GO402AVJ8		Right Hand	Flat Steps				
91	GO402AVJ9		Left Hand	2	510-S			
92	GO402AVJ10		Right Hand	Flat Steps	30			
93	GO402AVJ11		Left Hand	3	degrees			
94	GO402AVJ12		Right Hand	Flat Steps				
95	GO402AVJ13		Left Hand	2	510-S			
96	GO402AVJ14		Right Hand	Flat Steps	27.3			
97	GO402AVJ15		Left Hand	3	degrees			
98	GO402AVJ16		Right Hand	Flat Steps				
99	GO402AVM7		Left Hand	2	510-M			Upper
100	GO402AVM8		Right Hand	Flat Steps	30			Landing,
101	GO402AVM9	Left Hand	3	degrees	Edged			
102	GO402AVM10	Right Hand	Flat Steps		Design			

SPL 57-GO9704DS - Escalator Balustrade, Glass, 510 Stainless Steel

Page 11- Balustrade Otis 510, Innerdecking Profile, Stainless



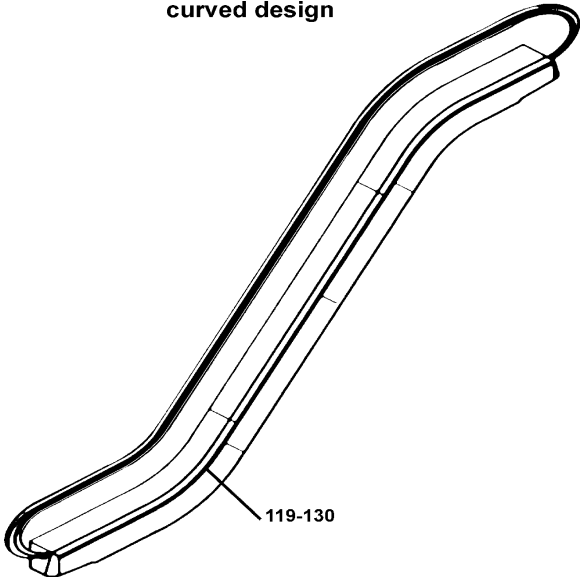
SPL 57-GO9704DS - Escalator Balustrade, Glass, 510 Stainless Steel

Page 11 - Balustrade Otis 510, Innerdecking Profile, Stainless

VINTAGE G. 01							
REF. No.	PART No.	DESCRIPTION					
103	GO402AVM13	Innerdecking Profile	Left Hand	2	510-S	Upper Landing, Edged Design	Stainless Steel
104	GO402AVM14		Right Hand	Flat Steps	30		
105	GO402AVM15		Left Hand	3	degrees		
106	GO402AVM16		Right Hand	Flat Steps			
107	GO402AVM19		Left Hand	2	510-S		
108	GO402AVM20		Right Hand	Flat Steps	27.3		
109	GO402AVM21		Left Hand	3	degrees		
110	GO402AVM22		Right Hand	Flat Steps			
111	GO402AVL5		Left Hand	---	510-M, 30 degrees	Lower Landing,	
112	GO402AVL6		Right Hand		510-S, 30 degrees		
113	GO402AVL7		Left Hand		510-S	Inclined	
114	GO402AVL8		Right Hand		27.3 degrees		
115	GO402AVR5		Left Hand		510-M, -S	Upper Landing,	
116	GO402AVR6		Right Hand		30 degrees		
117	GO402AVR7		Left Hand		510-S	Inclined	
118	GO402AVR8		Right Hand		27.3 degrees		

Page 12 - Balustrade Otis 510, Innerdecking Profile, ALU

curved design

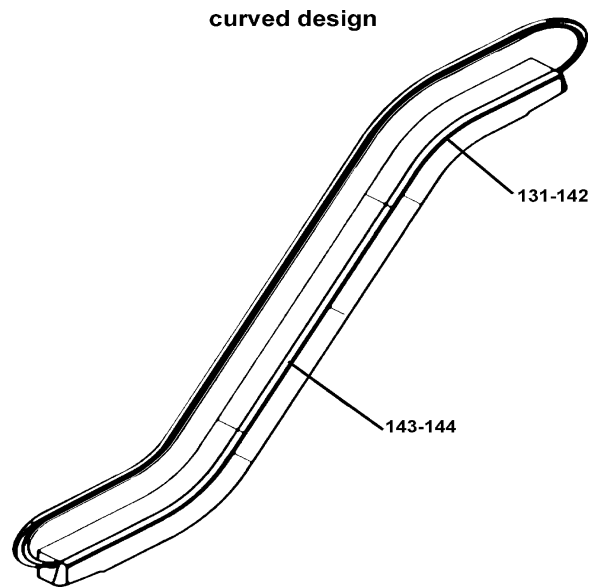


SPL 57-GO9704DS - Escalator Balustrade, Glass, 510 Stainless Steel

Page 12 - Balustrade Otis 510, Innerdecking Profile, ALU

VINTAGE G. 01						
REF. No.	PART No.	DESCRIPTION				
119	GO402AXT1	Innerdecking Profile	Left Hand	2	510-M	Lower Landing, Curved Design
120	GO402AXT2		Right Hand	Flat Steps	30	
121	GO402AXT3		Left Hand	3	degrees	
122	GO402AXT4		Right Hand	Flat Steps		
123	GO402AXT5		Left Hand	2	510-S	
124	GO402AXT6		Right Hand	Flat Steps	30	
125	GO402AXT7		Left Hand	3	degrees	
126	GO402AXT8		Right Hand	Flat Steps		
127	GO402AXT9		Left Hand	2	510-S	
128	GO402AXT10		Right Hand	Flat Steps	27.3	
129	GO402AXT11		Left Hand	3	degrees	
130	GO402AXT12		Right Hand	Flat Steps		

Page 13 - Balustrade Otis 510, Innerdecking Profile, Stainless Steel

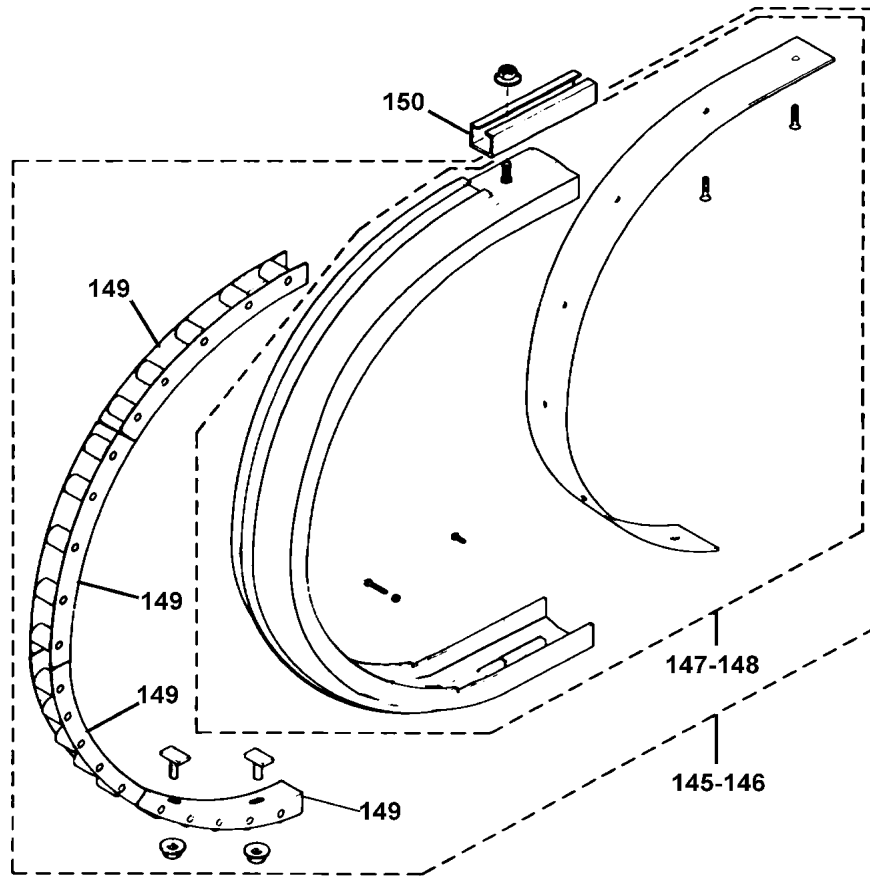


SPL 57-GO9704DS - Escalator Balustrade, Glass, 510 Stainless Steel

Page 13 - Balustrade Otis 510, Innerdecking Profile, Stainless Steel

VINTAGE G. 01								
REF. No.	PART No.	DESCRIPTION						
131	GO402AXW7	Innerdecking Profile	Left Hand	2	510-M	Upper Landing, Curved Design	Stainless Steel	
132	GO402AXW8		Right Hand	Flat Steps	30			
133	GO402AXW9		Left Hand	3	degrees			
134	GO402AXW10		Right Hand	Flat Steps				
135	GO402AXW13		Left Hand	2	510-S			
136	GO402AXW14		Right Hand	Flat Steps	30			
137	GO402AXW15		Left Hand	3	degrees			
138	GO402AXW16		Right Hand	Flat Steps				
139	GO402AXW17		Left Hand	2	510-S			
140	GO402AXW18		Right Hand	Flat Steps	27.3			
141	GO402AXW19		Left Hand	3	degrees			
142	GO402AXW20		Right Hand	Flat Steps				
143	GO402ATR3		Left Hand +	1450 mm	---			Inclined Section
144	GO402ATR4		Right Hand	2900 mm	---			

Page 14 - Balustrade Otis 510, Normal Newel, Stainless Steel



Page 14 - Balustrade Otis 510, Normal Newel, Stainless Steel

VINTAGE G. 01		
REF. No.	PART No.	DESCRIPTION
145	GO402AVH3	Newel, Left Hand
146	GO402AVH4	Newel, Right Hand
147	GO402ATX3	Circular Ring Segment, Left Hand
148	GO402ATX4	Circular Ring Segment, Right Hand
149	GO471CL1	Roller Support Molding
150	GO402ATM4	Molding