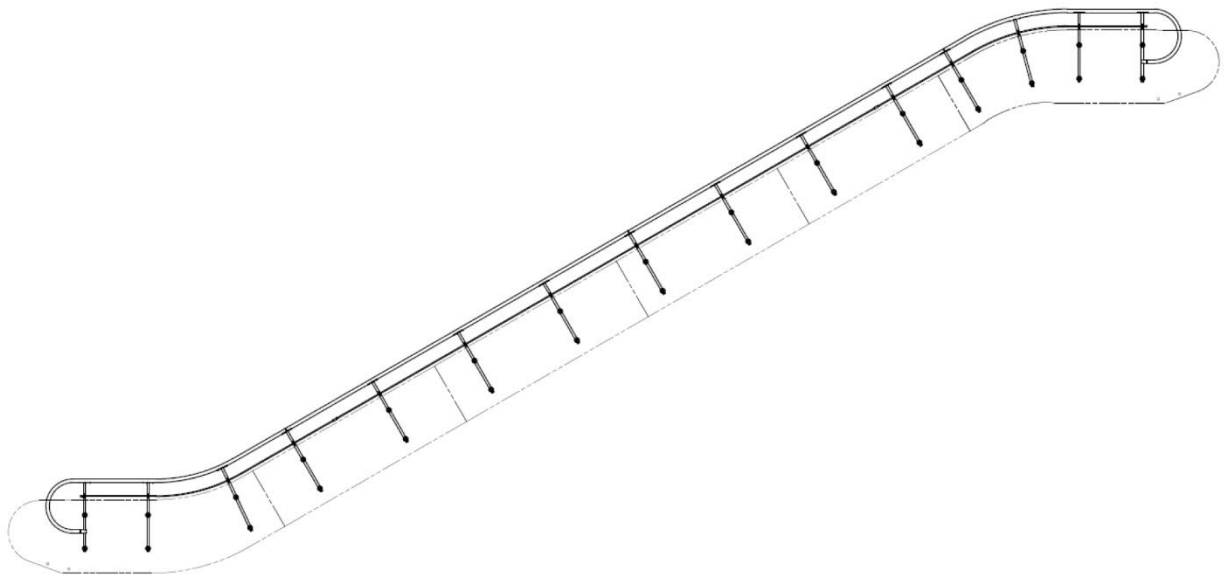


ESCALATOR
FALL PROTECTION DEVICE

Spare Parts Leaflet

57-HAA26228M

Dec. 13th, 2019 / Page 1 of 9



Unpublished Work—© Otis Elevator Co.

OTIS

This document does not contain
technical information subject to
EAR or ITAR

ELEVATOR ENGINEERING
Otis Elevator Company
OTIS ENGINEERING CHINA
ESCALATOR

ESCALATOR

57-HAA26228M

History

Leaflet Description

Fall protection device, for Link_ANSI

Leaflet Revisions

Date Revised	Subject Matter Expert	Reason for Revision
Dec 13, 2019	Li Yongfu	Original document (CN NO.: CNT2001404)
Feb. 09 th , 2023	Shenglan QIU	MINOR CHANGES (CN NO.: CNT2300186)

Related Drawings

Drawing No.	Title	Drawing No.	Title
HAA26228M	Fall protection device		

Related Documents

Document ID	Title
HE0012F	ODS - Fall protection device

Subject Matter Expert

Name	Department
Li Yongfu	SIT

About Spare Parts Leaflets...

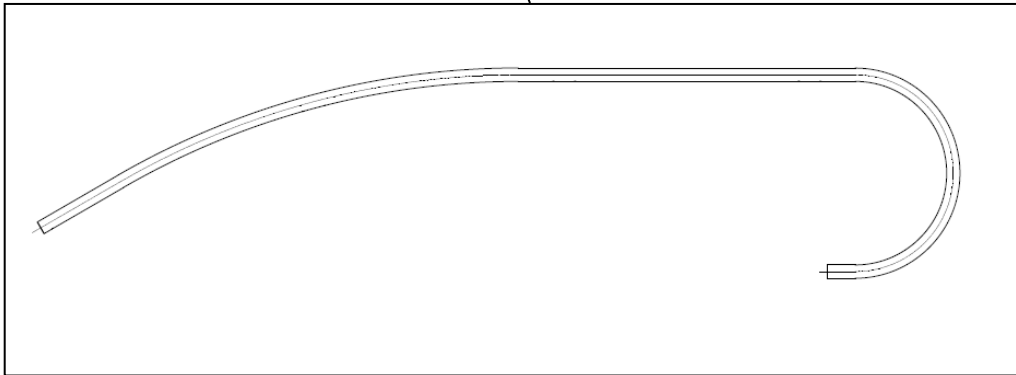
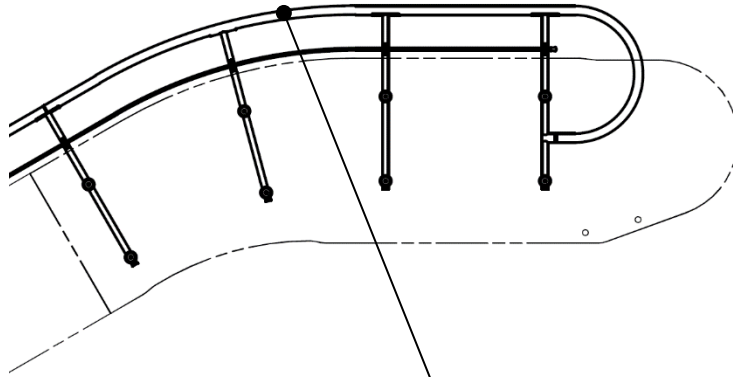
This document lists the lowest replaceable units (LRUs) for the standard version of the product. The LRUs are chosen by a team of Otis associates representing engineering and manufacturing.

While goal of this document is to make parts identification as easy as possible, the document cannot be all-inclusive. Elevator and escalator contracts classified as "special" or "custom" are not addressed here. For such contracts, please refer to specified information, the contract folder, TIPs, Field Education Articles, Construction Letters, etc. for further information.

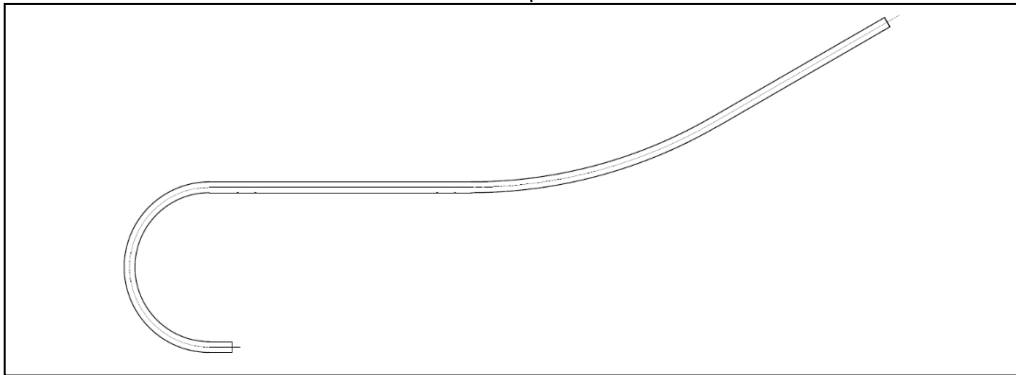
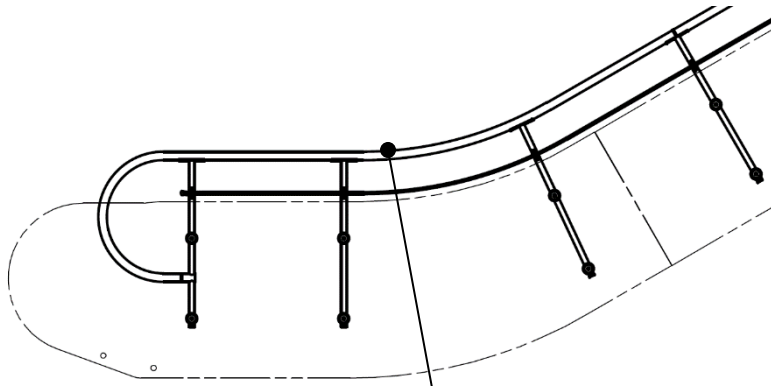
If you have any suggestions about this document, please contact the subject matter expert listed on this page.

**ESCALATOR
FALL PROTECTION DEVICE**

57-HAA26228M



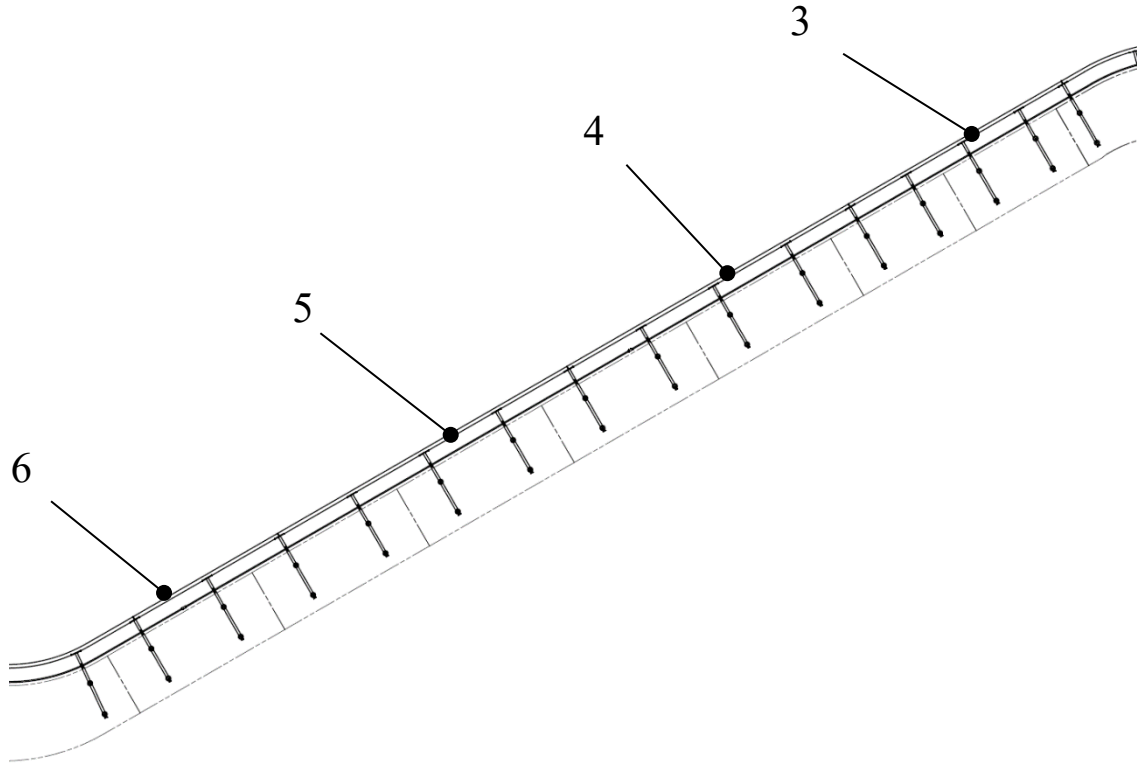
HAA26228M		TRCAT: Upper landing track radius		
REF. No.	PART No.	FLSTL	TRCAT	Name of Part
1	HAA139BJ1	2 Flat steps	1000	UPPER LANDING HANDRAIL
	HAA139BJ2	3 Flat steps		
	HAA139BJ3	2 Flat steps	1500	
	HAA139BJ4	3 Flat steps		



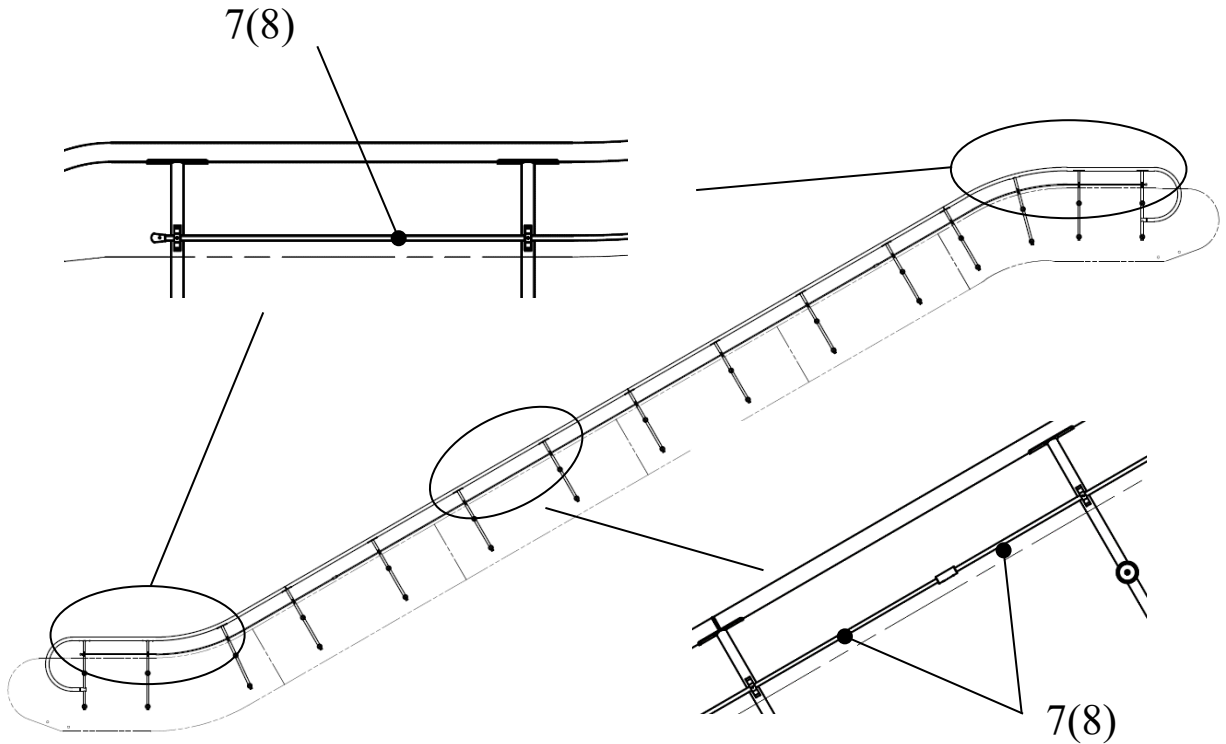
HAA26228M					
REF. No.	PART No.	Balustrade joints	Interior panels arrangement	Flat steps	Name of Part
2	HAA139BK1	Vertical to step nose line	Standard type	2 Flat steps	LOWER LANDING HANDRAIL
	HAA139BK2			3 Flat steps	
	HAA139BK 999		Equal-length type	2 Flat steps	
	HAA139BK 998			3 Flat steps	
	HAA139BK11	Vertical to floor level	Standard type	2 Flat steps	
	HAA139BK12			3 Flat steps	
	HAA139BK 999		Equal-length type	2 Flat steps	
	HAA139BK 998			3 Flat steps	

ESCALATOR FALL PROTECTION DEVICE

57-HAA26228M



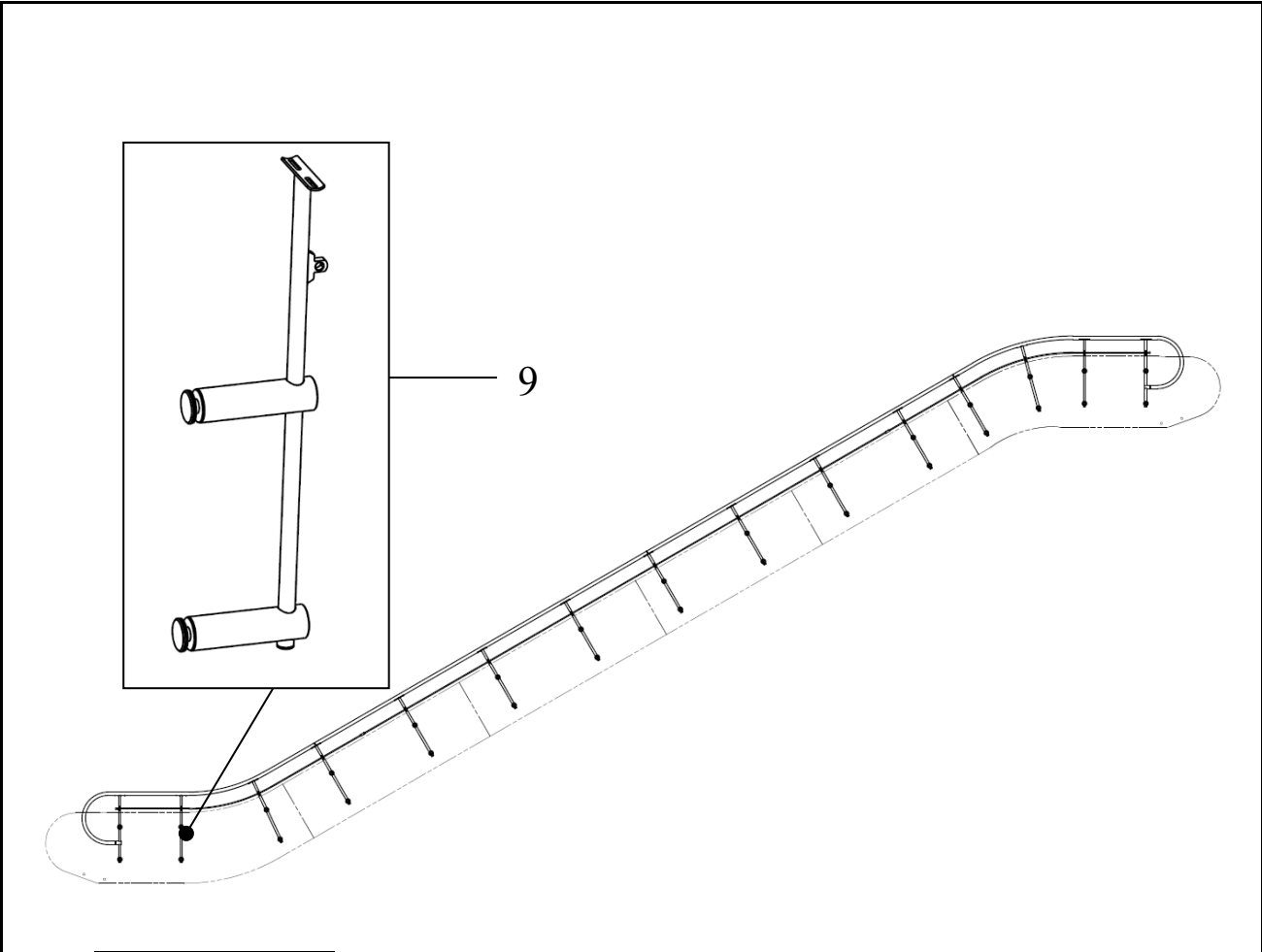
HAA26228M		TD11/TD12/TD21/TD22: length of in inclined section (per spec. based on contract)		
REF. No.	PART No.	Interior panels arrangement	LENGTH (mm)	Name of Part
3-1	HAA139BL999	Standard type Equal-length type	TD11	INCLINED HANDRAIL
3-2	HAA139BL998		TD12	
4-1	HAA139BL989		TD21	
4-2	HAA139BL988		TD22	
5	HAA139BL 2	Standard type	4635.0	
	HAA139BL988	Equal-length type	TD22	
6	HAA139BL 1	Standard type	2135.0	
	HAA139BL989	Equal-length type	TD21	



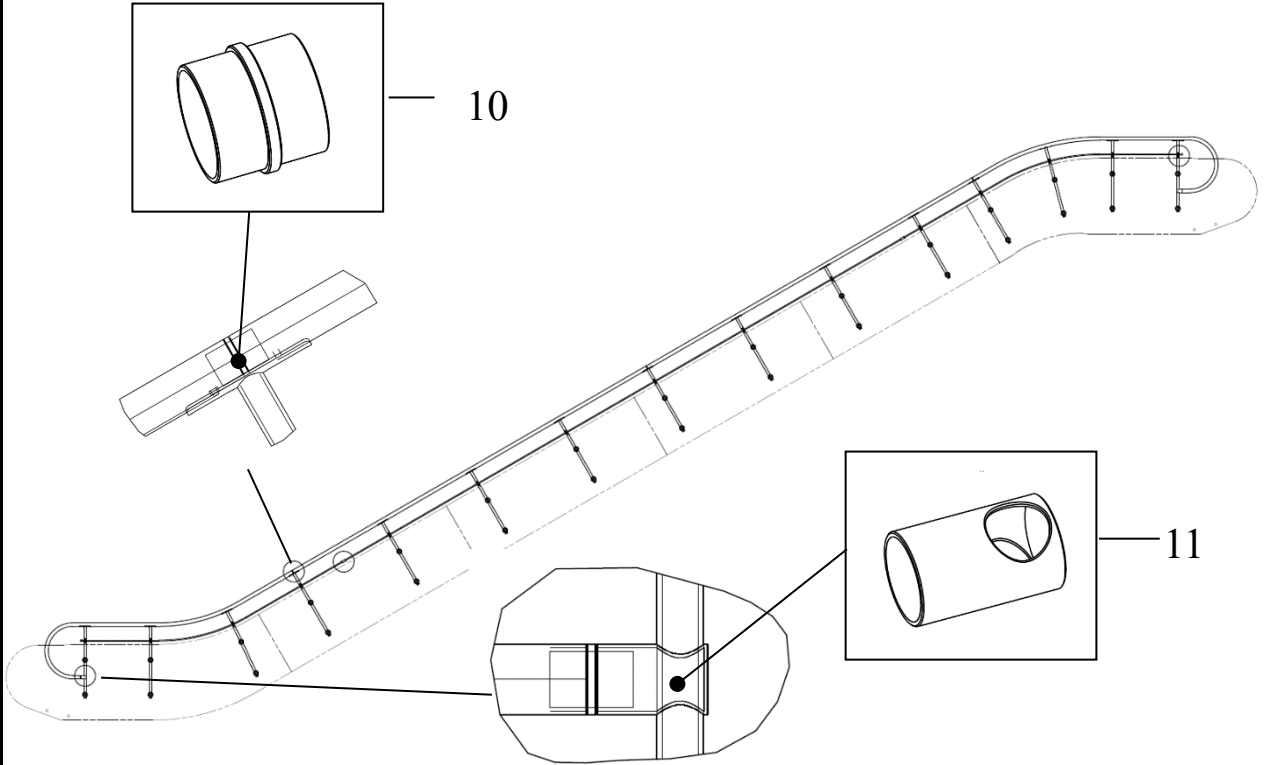
HAA26228M			
REF. No.	PART No.	Length (mm)	Name of Part
7	HAA139BM1	6000	HANDRAIL STEEL BAR
8	HAA139BM999	Per Spec.	

**ESCALATOR
FALL PROTECTION DEVICE**

57-HAA26228M



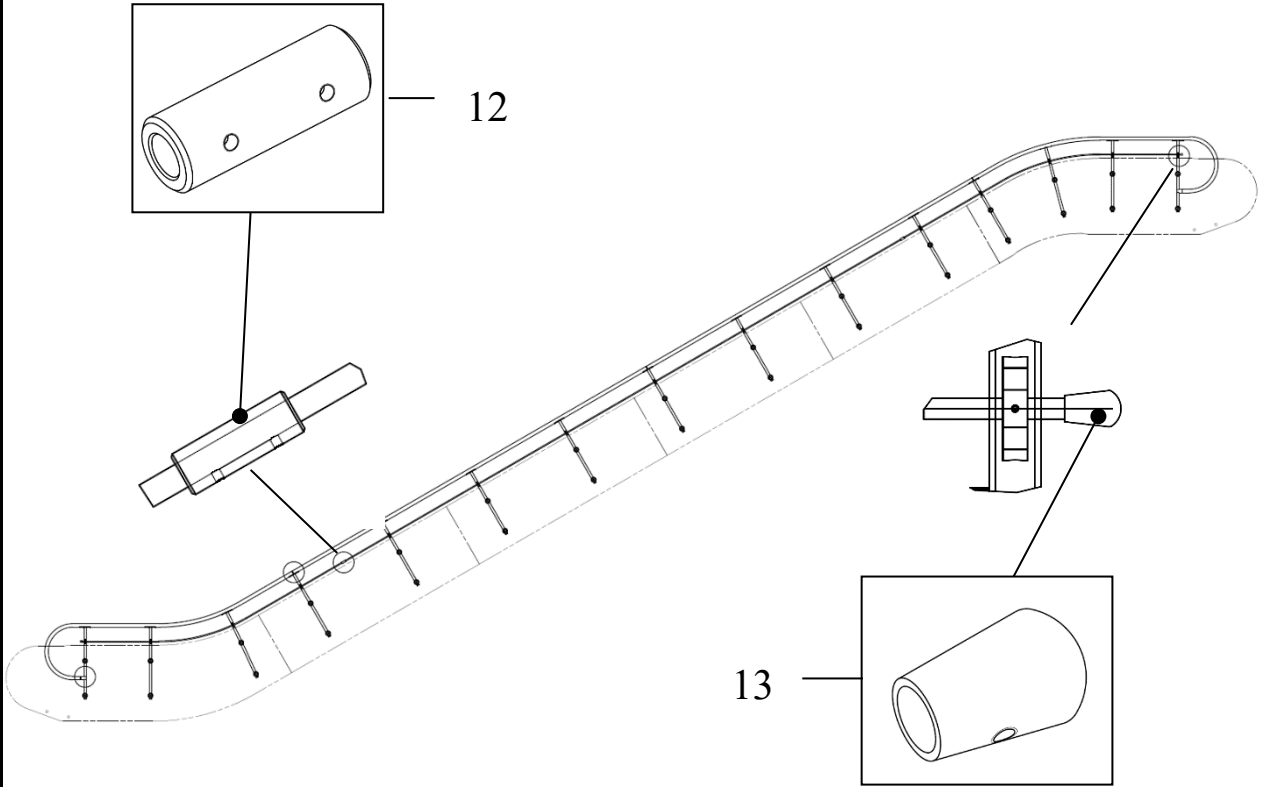
HAA26228M		
REF. No.	PART No.	Name of Part
9	HAA382AN2	HANDRAIL UPRIGHT



HAA26228M		
REF. No.	PART No.	Name of Part
10	HAA441AM2	FITTING
11	HAA441AN1	END FITTING

**ESCALATOR
FALL PROTECTION DEVICE**

57-HAA26228M



HAA26228M		
REF. No.	PART No.	Name of Part
12	HAA441AP1	FITTING
13	HAA346LL1	END FITTING