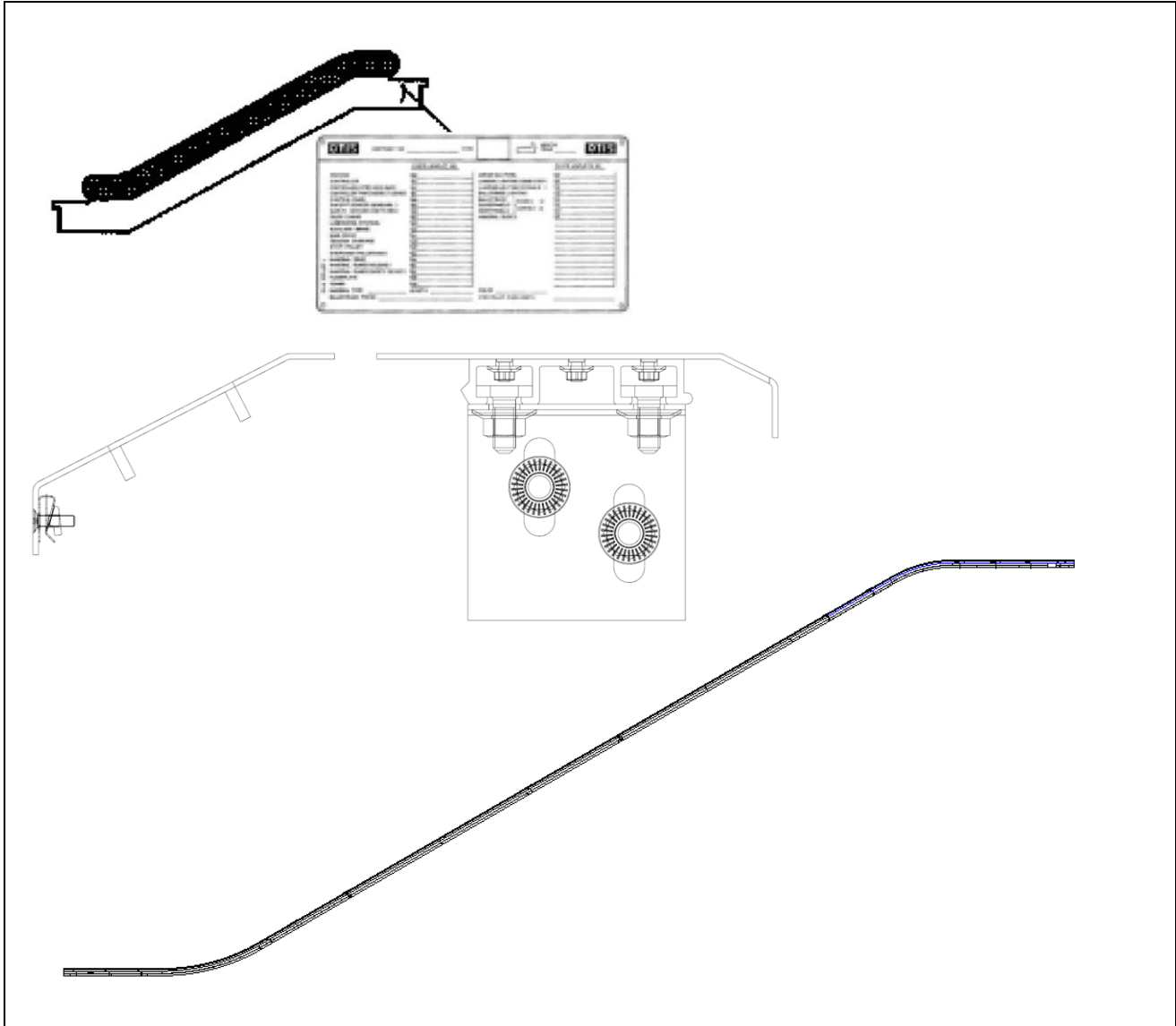


ESCALATOR DECKING

Spare Parts Leaflet

57 - HE0803J

12/12/2019 / Page 1 of 10



Unpublished Work—© Otis Elevator Co.

OTIS

Safety First!

ELEVATOR ENGINEERING
Otis Elevator Company
OTIS ENGINEERING CHINA
ESCALATOR

ESCALATOR
57 - HE0803J

History

Leaflet Description
DECKING

Leaflet Revisions

Date Revised	Subject Matter Expert	Reason for Revision
Dec 12, 2019	lilong Shi	New SPL(CN NO.:CNT1900819)

Related Drawings

Drawing No.	Title	Drawing No.	Title
HAA402ND	UPPER LANDING INNER DECKING	HAA402MZ	INCLINE OUTER DECKING
HAA402NE	LOWER LANDING INNER DECKING	HAA283AYA	OUTER DECKING BRACKET
HAA402NA	UPPER LANDING OUTER DECKING	HAA337BK	CONNECTOR AND NUT FOR JIONT
HAA402NB	LOWER LANDING OUTER DECKING	HE0803J	DECKING
HAA402NC	INCLINE INNER DECKING		

Related Documents

Document ID	Title
HE0803J	ODS - DECKING

Subject Matter Expert

Name	Department
lilong Shi	SIT

About Spare Parts Leaflets...

This document lists the lowest replaceable units (LRUs) for the standard version of the product. The LRUs are chosen by a team of Otis associates representing engineering and manufacturing.

While goal of this document is to make parts identification as easy as possible, the document cannot be all-inclusive. Elevator and escalator contracts classified as “special” or “custom” are not addressed here. For such contracts, please refer to specified information, the contract folder, TIPs, Field Education Articles, Construction Letters, etc. for further information.

If you have any suggestions about this document, please contact the subject matter expert listed on this page.

ESCALATOR DECKING

Spare Parts Leaflet 57 - HE0803J

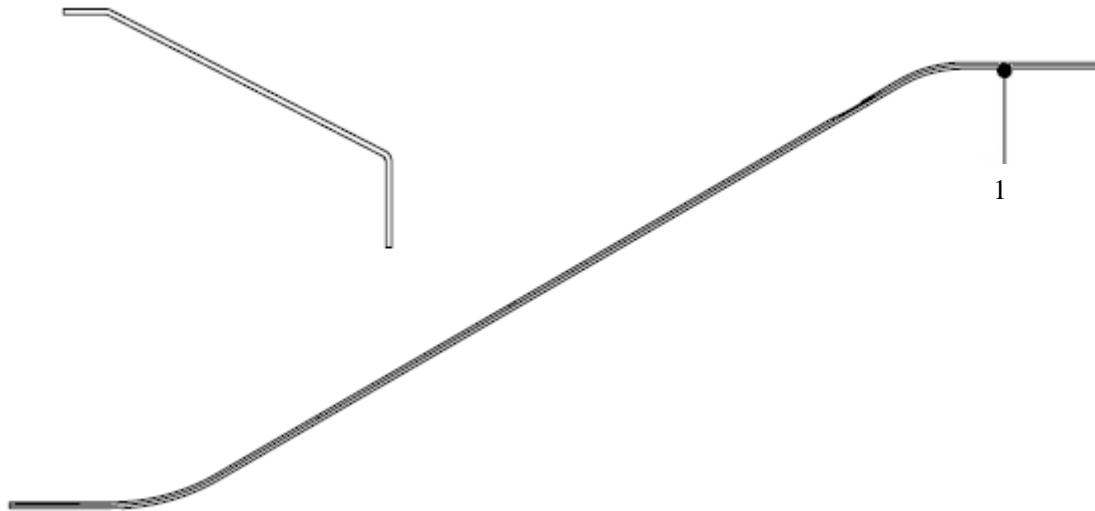
THE FULL PART NO. INCLUDE MAT. SUFFIX, AS SHOWN BELOW:

HAA402XXX999 AS316_20
PREFIX MAT. SUFFIX

MAT. SUFFIX	MAT.SUFFIX DESCRIPTION	DECKING THICKNESS	SURFACE TREATMENT	DECKING MATERIAL
AS316_20	2.0mm short wire hairline 316 stainless steel	2.0 mm	short wire hairline	316 stainless steel
AS445_20	2.0mm short wire hairline 445 stainless steel	2.0 mm	short wire hairline	445 stainless steel
AS304_20	2.0mm short wire hairline 304 stainless steel	2.0 mm	short wire hairline	304 stainless steel
GT316_20	2.0mm G2 hairline 316 stainless steel	2.0 mm	G2 hairline	316 stainless steel
GT445_20	2.0mm G2 hairline 445 stainless steel	2.0 mm	G2 hairline	445 stainless steel
GT304_20	2.0mm G2 hairline 304 stainless steel	2.0 mm	G2 hairline	304 stainless steel

ESCALATOR DECKING

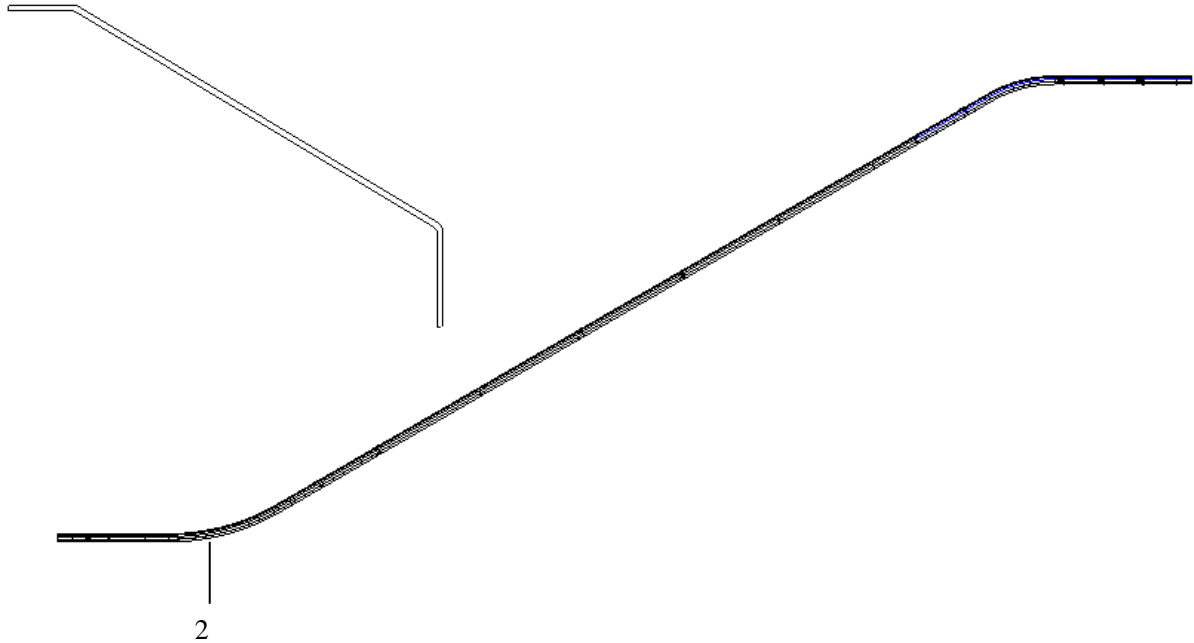
Spare Parts Leaflet
57 - HE0803J



		HE0803J			
		PART No.			
REF. No.	PREFIX	MAT. SUFFIX	Traffic flow light	DESCRIPTION	
1	HAA402ND999	ON REQUEST	NO	UPPER LANDING INNER DECKING, 2 FLAT STEP,RIGHT SIDE	
	HAA402ND998	ON REQUEST		UPPER LANDING INNER DECKING, 2 FLAT STEP,LEFT SIDE	
	HAA402ND997	ON REQUEST		UPPER LANDING INNER DECKING, 3 FLAT STEP,RIGHT SIDE	
	HAA402ND996	ON REQUEST		UPPER LANDING INNER DECKING, 3 FLAT STEP,LEFT SIDE	
	HAA402ND999	ON REQUEST	YES	UPPER LANDING INNER DECKING, 2 FLAT STEP,RIGHT SIDE	
	HAA402ND995	ON REQUEST		UPPER LANDING INNER DECKING, 2 FLAT STEP,LEFT SIDE	
	HAA402ND997	ON REQUEST		UPPER LANDING INNER DECKING, 3 FLAT STEP,RIGHT SIDE	
	HAA402ND994	ON REQUEST		UPPER LANDING INNER DECKING, 3 FLAT STEP,LEFT SIDE	

ESCALATOR DECKING

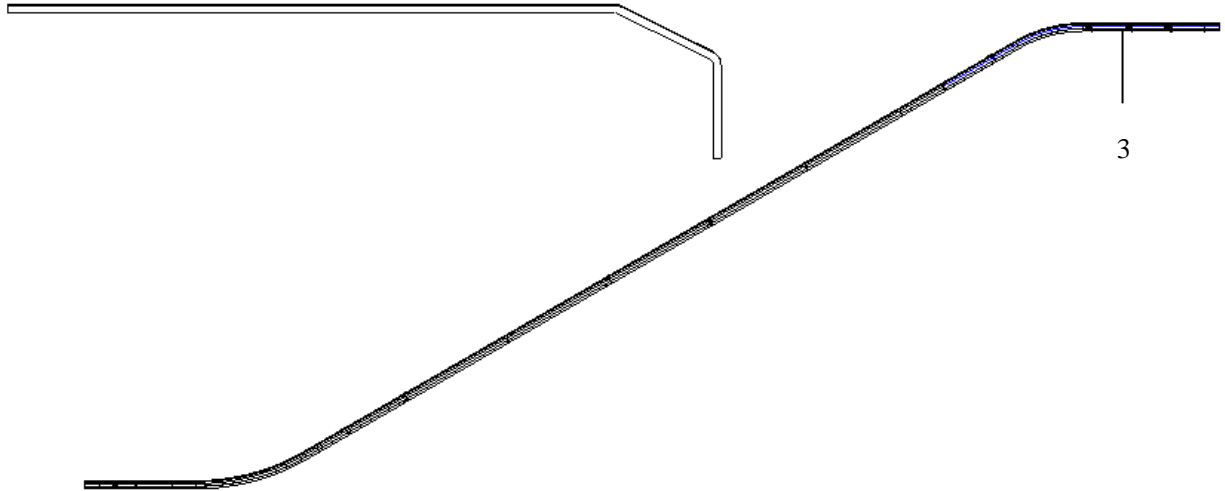
Spare Parts Leaflet
57 - HE0803J



HE0803J				
PART No.				
REF. No.	PREFIX	MAT. SUFFIX	Traffic flow light	DESCRIPTION
2	HAA402NE999	ON REQUEST	NO	LOWER LANDING INNER DECKING, 2 FLAT STEP,RIGHT SIDE
	HAA402NE998	ON REQUEST		LOWER LANDING INNER DECKING, 2 FLAT STEP,LEFT SIDE
	HAA402NE997	ON REQUEST		LOWER LANDING INNER DECKING, 3 FLAT STEP,RIGHT SIDE
	HAA402NE996	ON REQUEST		LOWER LANDING INNER DECKING, 3 FLAT STEP,LEFT SIDE
	HAA402NE999	ON REQUEST	YES	LOWER LANDING INNER DECKING, 2 FLAT STEP,RIGHT SIDE
	HAA402NE995	ON REQUEST		LOWER LANDING INNER DECKING, 2 FLAT STEP,LEFT SIDE
	HAA402NE997	ON REQUEST		LOWER LANDING INNER DECKING, 3 FLAT STEP,RIGHT SIDE
	HAA402NE994	ON REQUEST		LOWER LANDING INNER DECKING, 3 FLAT STEP,LEFT SIDE

ESCALATOR DECKING

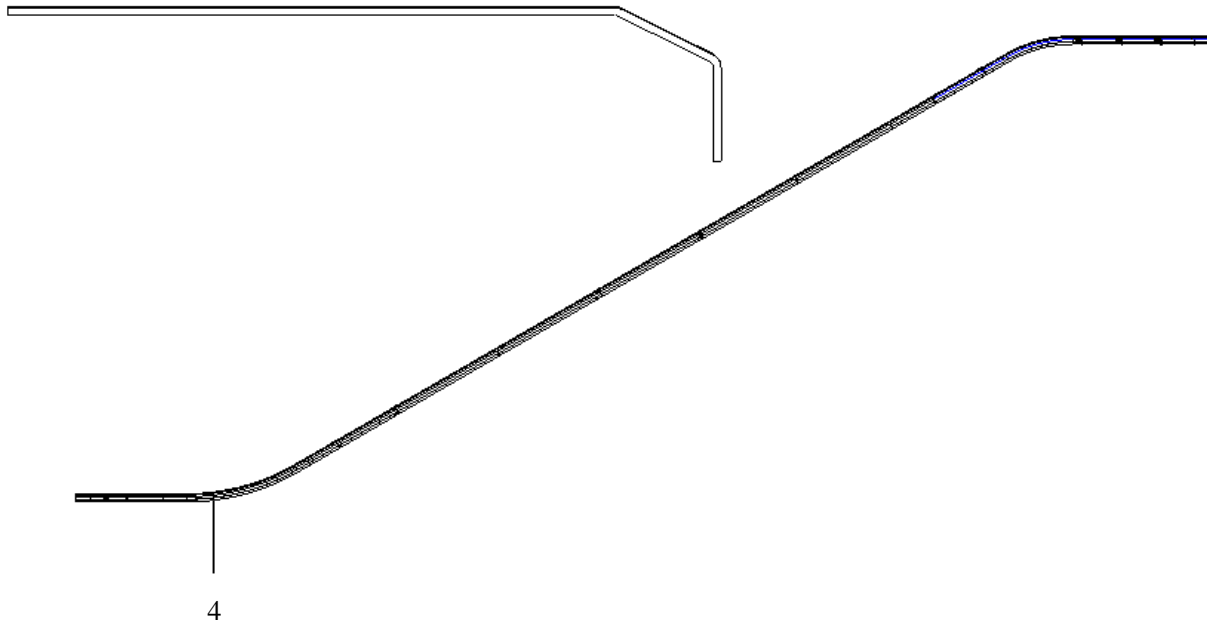
Spare Parts Leaflet
57 - HE0803J



		HE0803J			
		PART No.			
REF. No.	PREFIX	MAT. SUFFIX	ENTRYBOX	DESCRIPTION	
3	HAA402NA999	ON REQUEST	ALCB	UPPER LANDING INNER DECKING, 2 FLAT STEP,RIGHT SIDE	
	HAA402NA998	ON REQUEST		UPPER LANDING INNER DECKING, 2 FLAT STEP,LEFT SIDE	
	HAA402NA997	ON REQUEST		UPPER LANDING INNER DECKING, 3 FLAT STEP,RIGHT SIDE	
	HAA402NA996	ON REQUEST		UPPER LANDING INNER DECKING, 3 FLAT STEP,LEFT SIDE	
	HAA402NA995	ON REQUEST	STSHL	UPPER LANDING INNER DECKING, 2 FLAT STEP,RIGHT SIDE	
	HAA402NA994	ON REQUEST		UPPER LANDING INNER DECKING, 2 FLAT STEP,LEFT SIDE	
	HAA402NA993	ON REQUEST		UPPER LANDING INNER DECKING, 3 FLAT STEP,RIGHT SIDE	
	HAA402NA992	ON REQUEST		UPPER LANDING INNER DECKING, 3 FLAT STEP,LEFT SIDE	

ESCALATOR DECKING

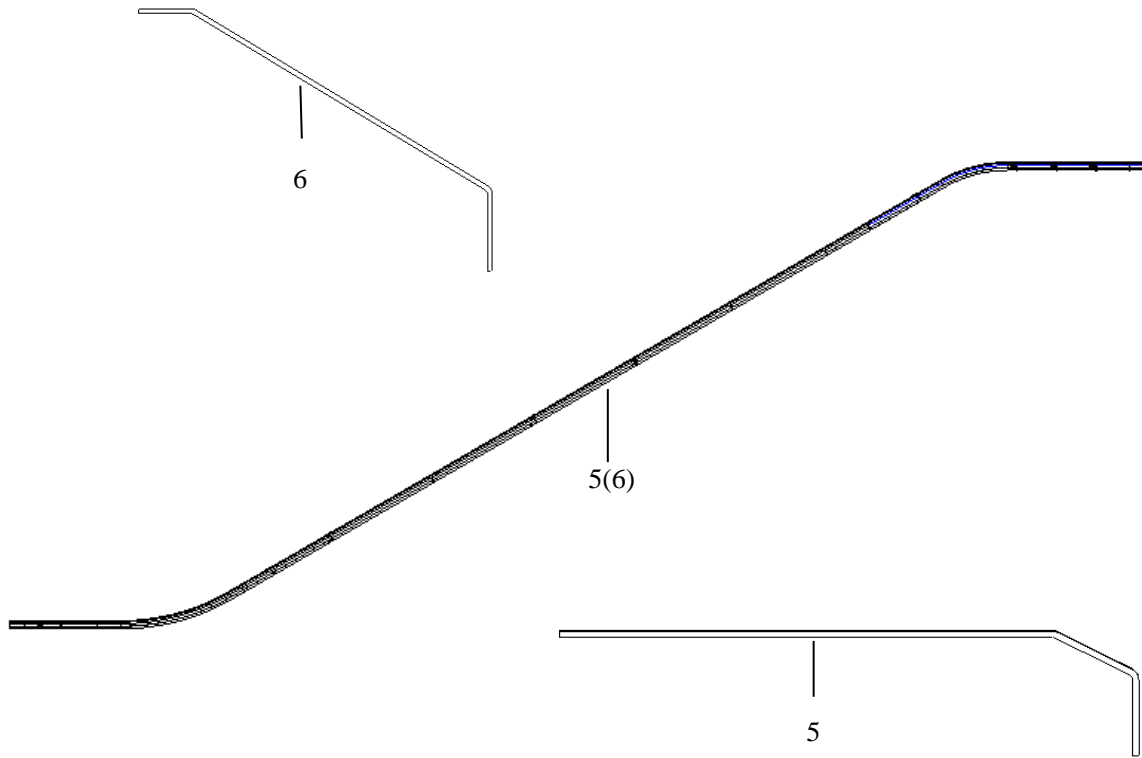
Spare Parts Leaflet
57 - HE0803J



HE0803J				
PART No.				
REF. No.	PREFIX	MAT. SUFFIX	ENTRYBOX	DESCRIPTION
4	HAA402NB999	ON REQUEST	ALCB	UPPER LANDING INNER DECKING, 2 FLAT STEP,RIGHT SIDE
	HAA402NB998	ON REQUEST		UPPER LANDING INNER DECKING, 2 FLAT STEP,LEFT SIDE
	HAA402NB997	ON REQUEST		UPPER LANDING INNER DECKING, 3 FLAT STEP,RIGHT SIDE
	HAA402NB996	ON REQUEST		UPPER LANDING INNER DECKING, 3 FLAT STEP,LEFT SIDE
	HAA402NB995	ON REQUEST	STSHL	UPPER LANDING INNER DECKING, 2 FLAT STEP,RIGHT SIDE
	HAA402NB994	ON REQUEST		UPPER LANDING INNER DECKING, 2 FLAT STEP,LEFT SIDE
	HAA402NB993	ON REQUEST		UPPER LANDING INNER DECKING, 3 FLAT STEP,RIGHT SIDE
	HAA402NB992	ON REQUEST		UPPER LANDING INNER DECKING, 3 FLAT STEP,LEFT SIDE

ESCALATOR DECKING

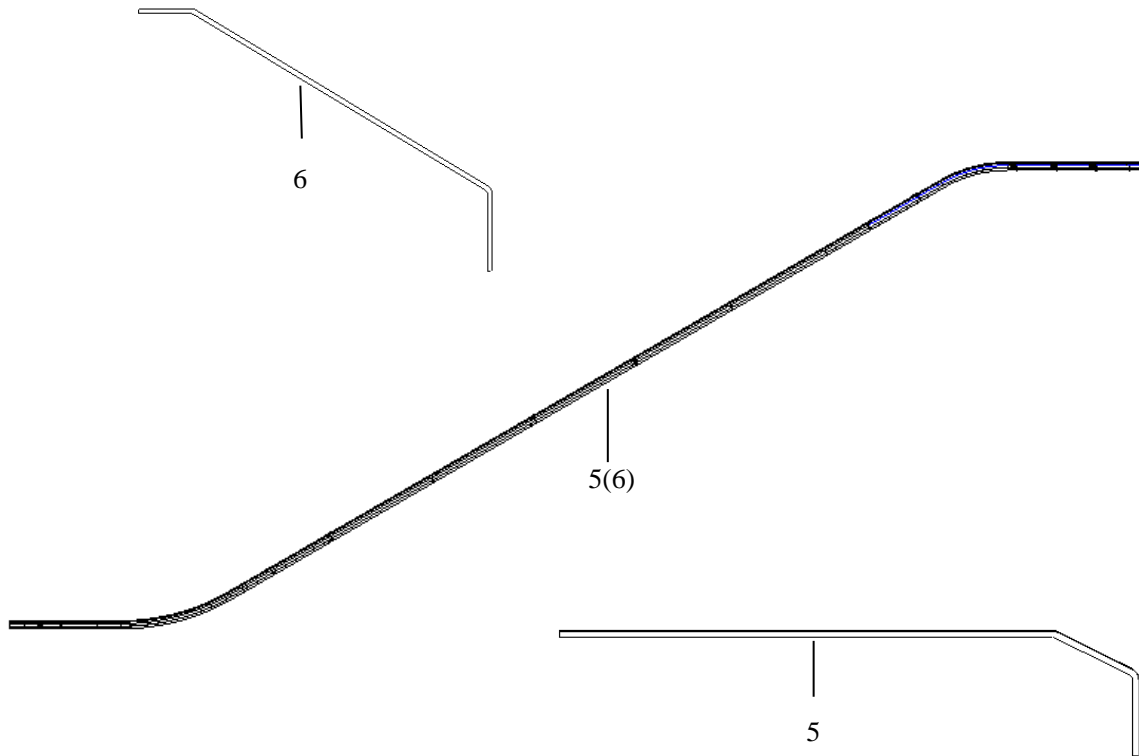
Spare Parts Leaflet
57 - HE0803J



HE0803J			
PART No.			
REF. No.	PREFIX	MAT. SUFFIX	DESCRIPTION
5	HAA402MZ999	ON REQUEST	INCLINE OUTER DECKING,2320mm,RIGHT SIDE
	HAA402MZ998	ON REQUEST	INCLINE OUTER DECKING,2320mm,LEFT SIDE
	HAA402MZ997	ON REQUEST	INCLINE OUTER DECKING, VARIABLE,RIGHT SIDE
	HAA402MZ996	ON REQUEST	INCLINE OUTER DECKING, VARIABLE,LEFT SIDE

ESCALATOR DECKING

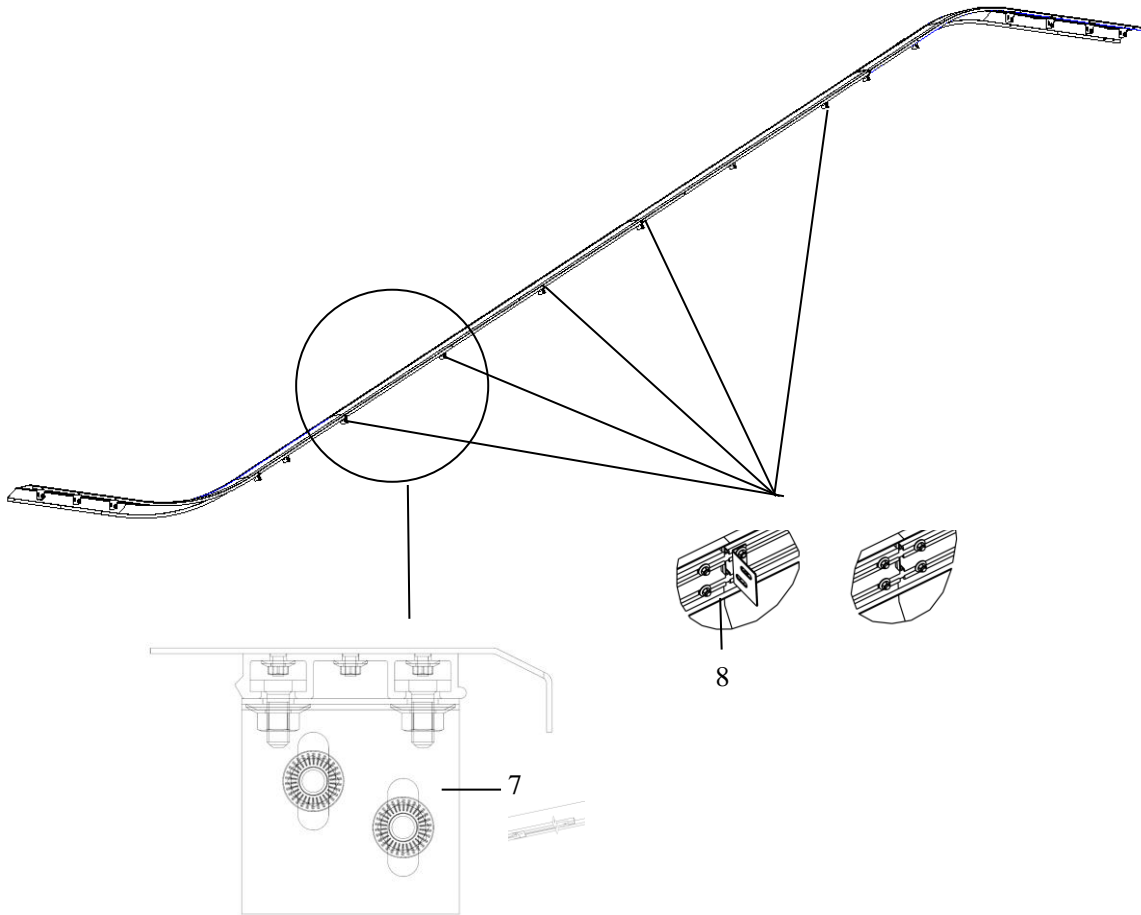
Spare Parts Leaflet
57 - HE0803J



HE0803J			
PART No.			
REF. No.	PREFIX	MAT. SUFFIX	DESCRIPTION
6	HAA402NC999	ON REQUEST	INCLINE INNER DECKING,2320mm,RIGHT SIDE
	HAA402NC998	ON REQUEST	INCLINE INNER DECKING,2320mm,LEFT SIDE
	HAA402NC997	ON REQUEST	INCLINE INNER DECKING, VARIABLE,RIGHT SIDE
	HAA402NC996	ON REQUEST	INCLINE INNER DECKING, VARIABLE,LEFT SIDE

ESCALATOR DECKING

Spare Parts Leaflet
57 - HE0803J



HE0803J

REF. No.	PART No.	ENVIRMT	DESCRIPTION
7	HAA283AYA1	INDOOR	Outer decking bracket.
	HAA283AYA2		
	HAA283AYA3	OUTDOOR	
	HAA283AYA4		
8	HAA337BK1	INDOOR	Outer decking linking palate.
	HAA337BK2	OUTDOOR	