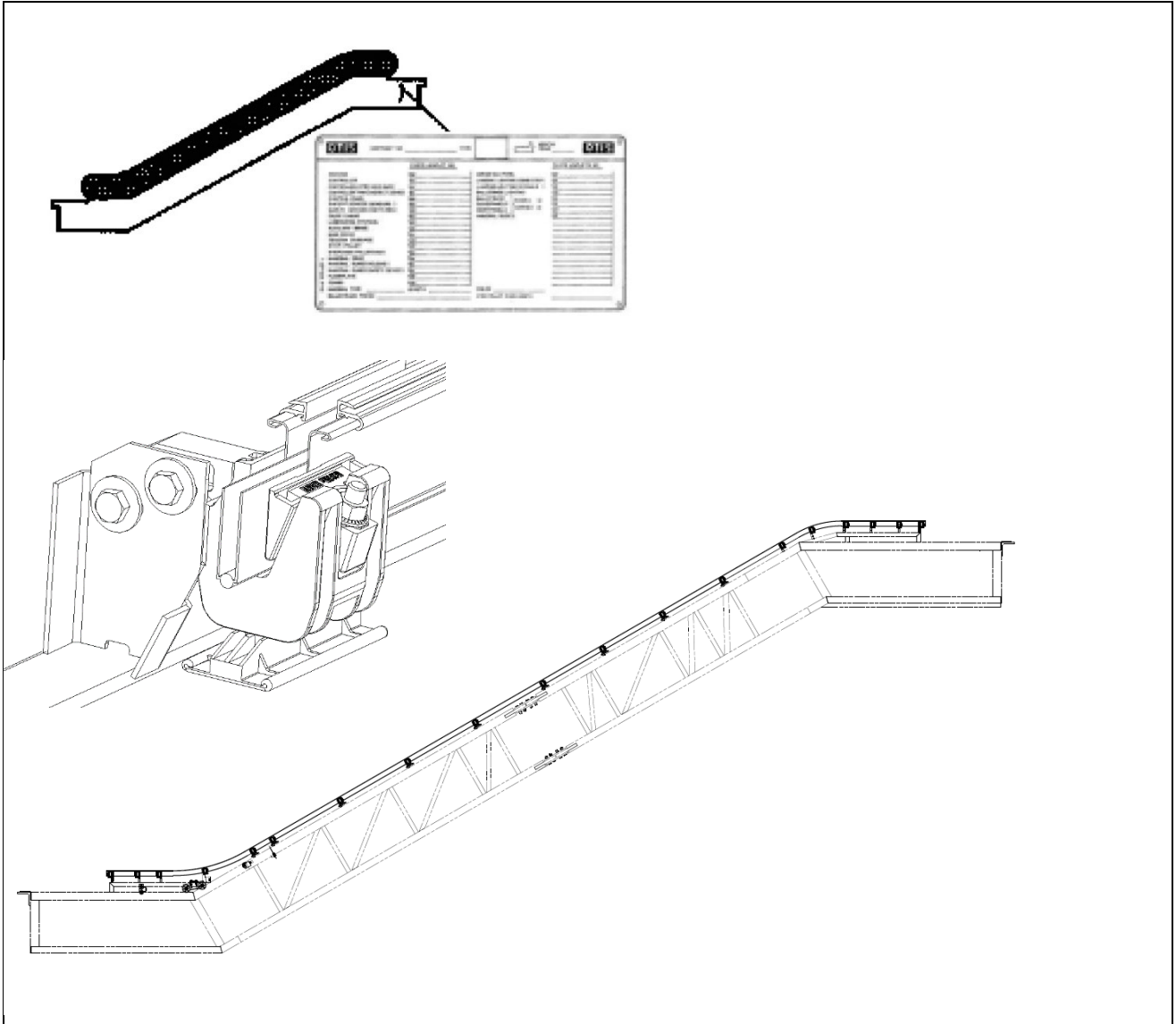


ESCALATOR BALUSTRDE FM

Spare Parts Leaflet

57-HE0806E

May. 29th, 2019 / Page 1 of 22



Unpublished Work—
© Otis Elevator Co.

OTIS

This document does not contain any
technical information subject to EAR or
ITAR

**ELEVATOR ENGINEERING
Otis Elevator Company
OTIS ENGINEERING CHINA
ESCALATOR**

ESCALATOR

57-HE0806E

History

Leaflet Description

Balustrade fastening material, interior panels arrangement in inclined section is standard type, for Link (Common XO508, Link, OTIS_LINK, Link_508NCE, Link-ANSI)

Leaflet Revisions

Date Revised	Subject Matter Expert	Reason for Revision
May 29, 2019	Li Yongfu	Original document (CN No.:CNT1900819)
April 1, 2023	Shenglan Qiu	Update part no (CN No.: CNT2300186)

Related Drawings

Drawing No.	Title	Drawing No.	Title
HE0806E	BALUSTRDE FM		

Related Documents

Document ID	Title
HE0806E	ODS - BALUSTRDE FM

Subject Matter Expert

Name	Department
Li Yongfu	SIT

About Spare Parts Leaflets...

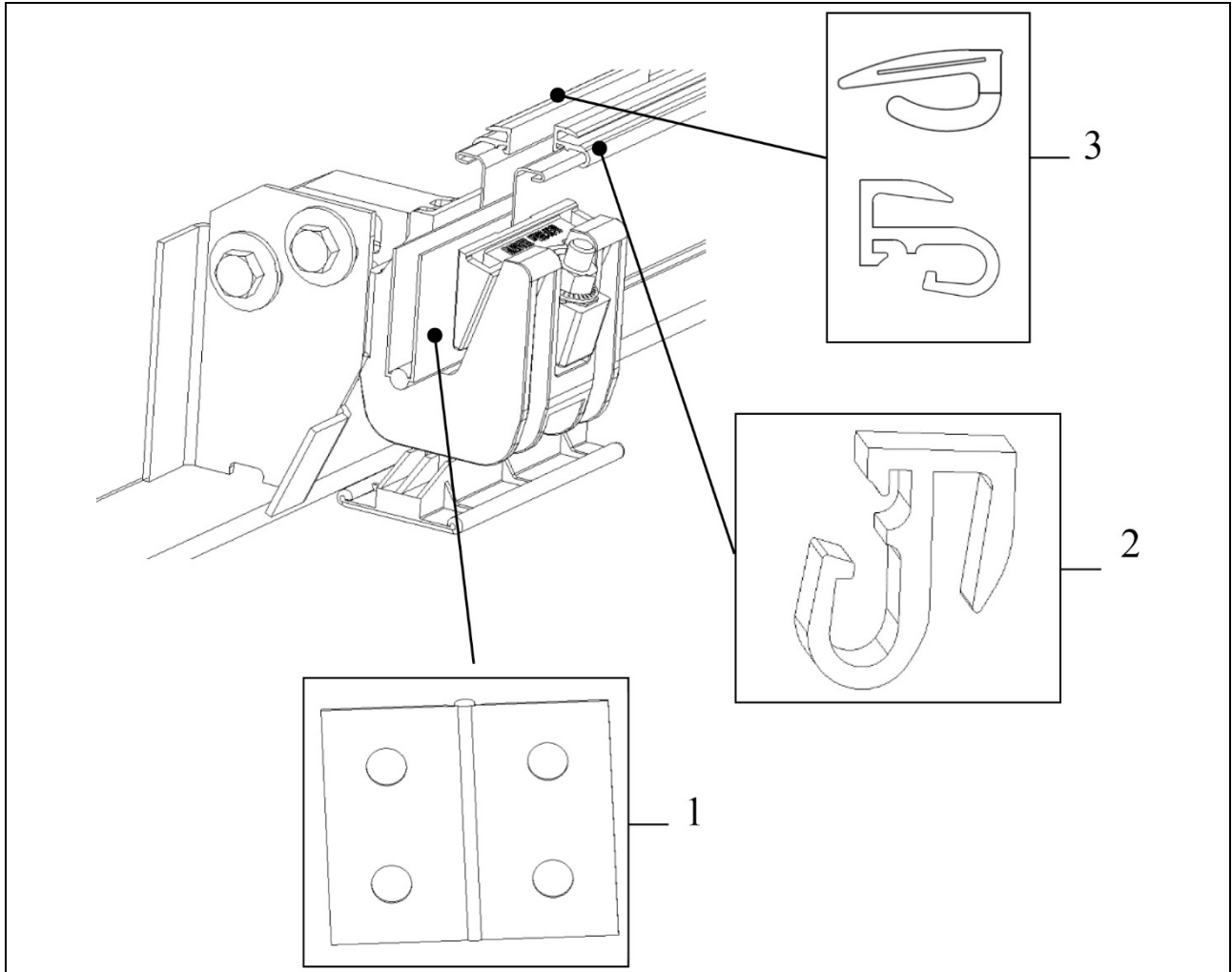
This document lists the lowest replaceable units (LRUs) for the standard version of the product. The LRUs are chosen by a team of Otis associates representing engineering and manufacturing.

While goal of this document is to make parts identification as easy as possible, the document cannot be all-inclusive. Elevator and escalator contracts classified as "special" or "custom" are not addressed here. For such contracts, please refer to specified information, the contract folder, TIPS, Field Education Articles, Construction Letters, etc. for further information.

If you have any suggestions about this document, please contact the subject matter expert listed on this page.

ESCALATOR BALUSTRDE FM

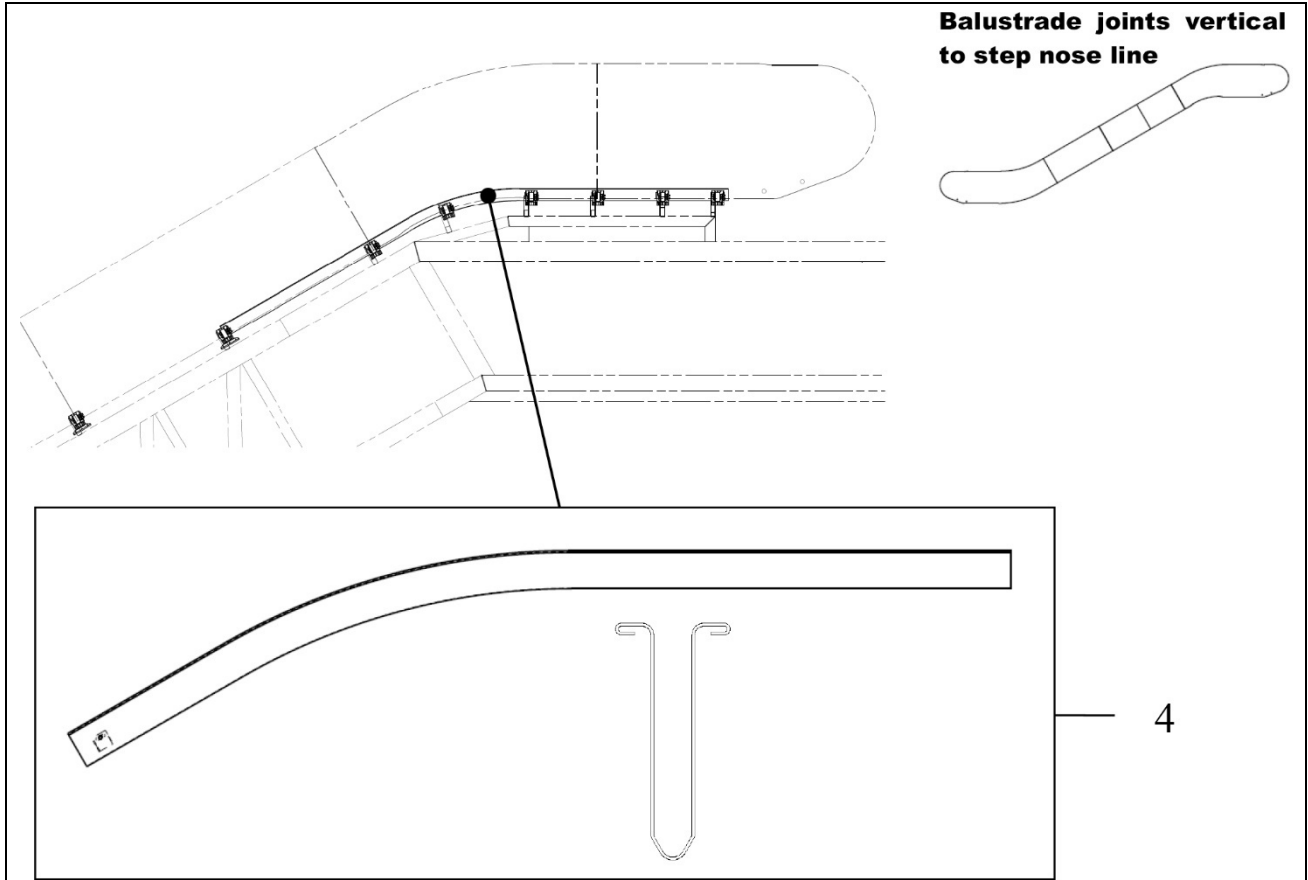
57-HE0806E



HE0806E					
REF. No.	PART No.	Interior panels thickness	ENVIRMT	COMPY (COUNTRY OR REGION CODES)	Name of Part
1	XAA429A1	10 mm	ALL	ALL	PLASTIC GASKET
	HAA429AY1	13.5 mm			
2	HAA402LE1	ALL	INDOOR	79CN (China)	S PLASTIC PROFILE BAR FOR INNER DECKING
	XAA180GD7		INDOOR	<>79CN (China)	
	XAA180GD7		OUTDOOR	ALL	
3	HAA402LE1		INDOOR	79CN (CHNIA)	S PLASTIC PROFILE BAR FOR OUTER DECKING
	XAA180GD7		OUTDOOR	<>79CN (CHINA)	
	HAA402WA1		ALL	10US/18CA (LMR PACKAGE: ANSI, ANSI, NY)	

57-HE0806E

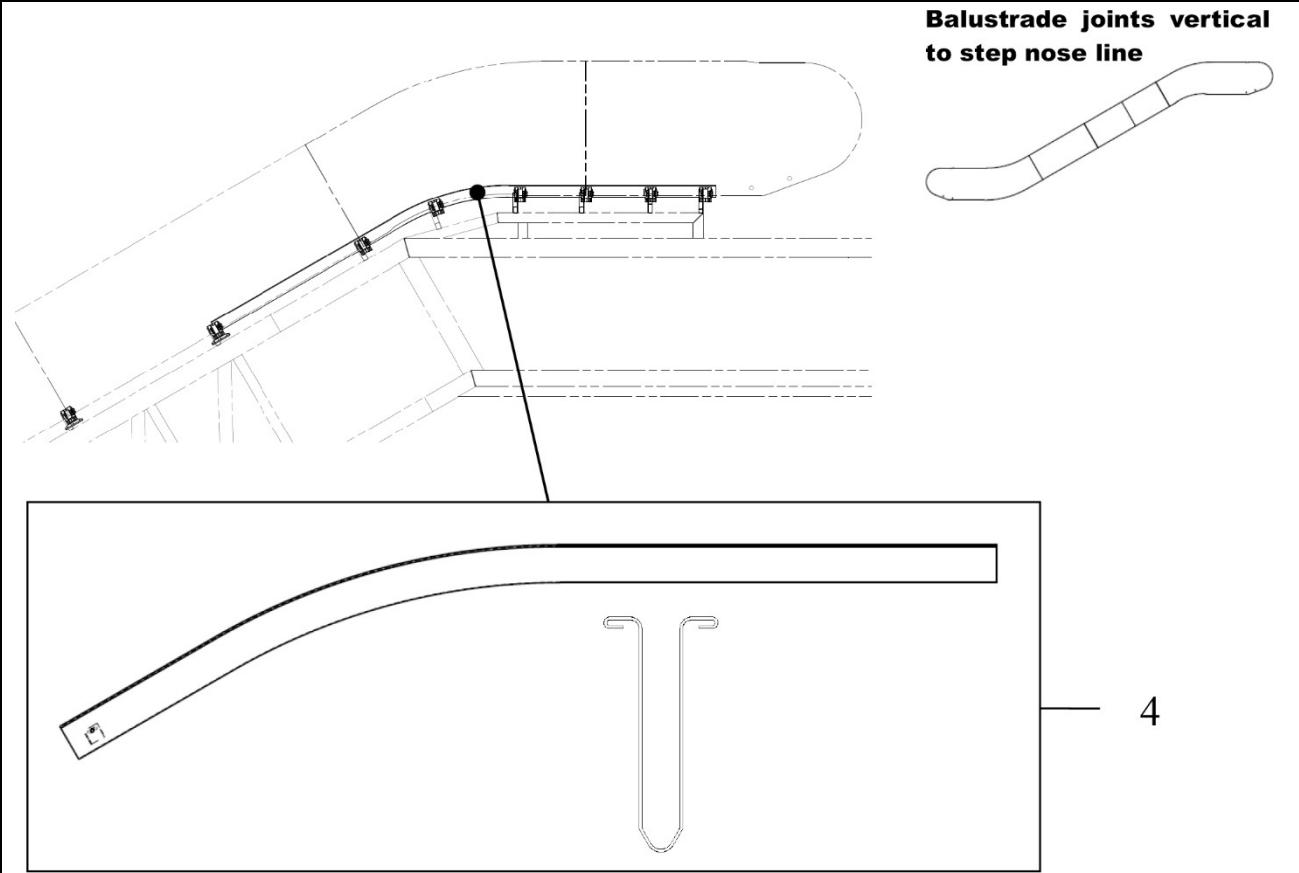
**ESCALATOR
BALUSTRADE FM**



		HE0806E TRCAT: Upper landing track radius							
REF. No.	PART No.	Interior panels thickness	Balustrade joints	ENVIR MT	INC LI	FLST L	Arrange ment	TRC AT	Name of Part
4	HAA402JV999	10 mm	Vertical to step nose line	Indoor	30°	2 Flat steps	Left side	1000	UPPER LANDING BALUSTRADE SUPPORT
	HAA402JV998					Right side			
	HAA402JV997					3 Flat steps	Left side		
	HAA402JV996					Right side			
	HAA402JV995				2 Flat steps	Left side			
	HAA402JV994				Right side				
	HAA402JV993				3 Flat steps	Left side			
	HAA402JV992				Right side				
	HAA402JV979			Outdoor	30°	2 Flat steps	Left side		
	HAA402JV978					Right side			
	HAA402JV977					3 Flat steps	Left side		
	HAA402JV976					Right side			
	HAA402JV975				35°	2 Flat steps	Left side		
	HAA402JV974					Right side			
	HAA402JV973					3 Flat steps	Left side		
	HAA402JV972					Right side			

ESCALATOR BALUSTRDE FM

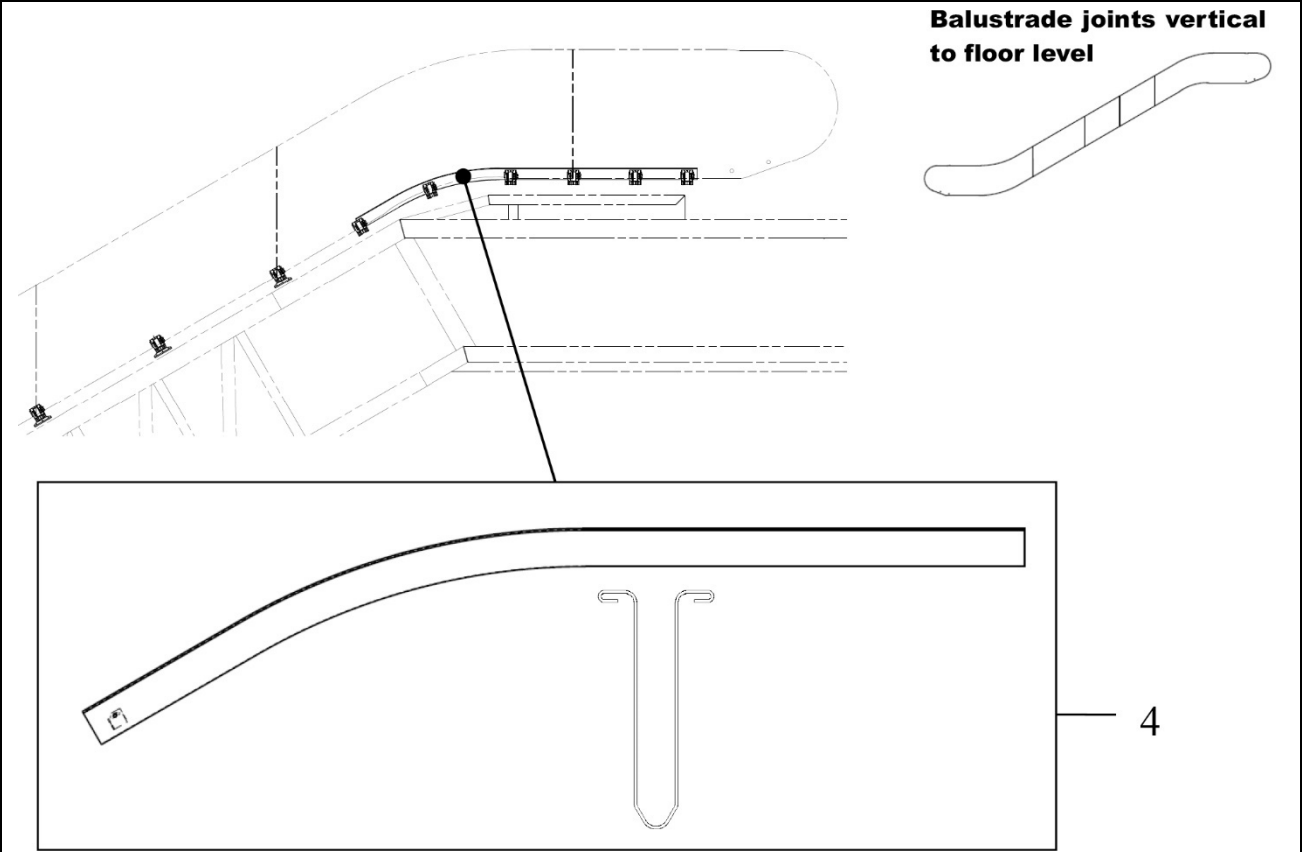
57-HE0806E



		TRCAT: Upper landing track radius FLSTLsec : Number of flat steps at both landings							
REF. No.	PART No.	Interior panels thickness	Balustrade joints	ENVIR MT	INC LI	FLST Lsec	Arrangement	TRCAT	Name of Part
4	HAA402JV989	10 mm	Vertical to step nose line	Indoor	30°	2FSR eal	Left side	1000	UPPER LANDING BALUSTRADE SUPPORT
	HAA402JV988						Right side		
	HAA402JV969			Outdoor			Left side		
	HAA402JV968						Right side		
	HAA402JV799			Indoor		3FS	Left side	1500	
	HAA402JV798						Right side		
	HAA402JV797			Outdoor			Left side		
	HAA402JV796						Right side		
	HAA402JV789			Indoor			Left side		
	HAA402JV788						Right side		
	HAA402JV787			Outdoor			Left side		
	HAA402JV786						Right side		
	HAA402JV785			Indoor		2FSR eal	Left side		
	HAA402JV784						Right side		
	HAA402JV783			Outdoor			Left side		
	HAA402JV782						Right side		

57-HE0806E

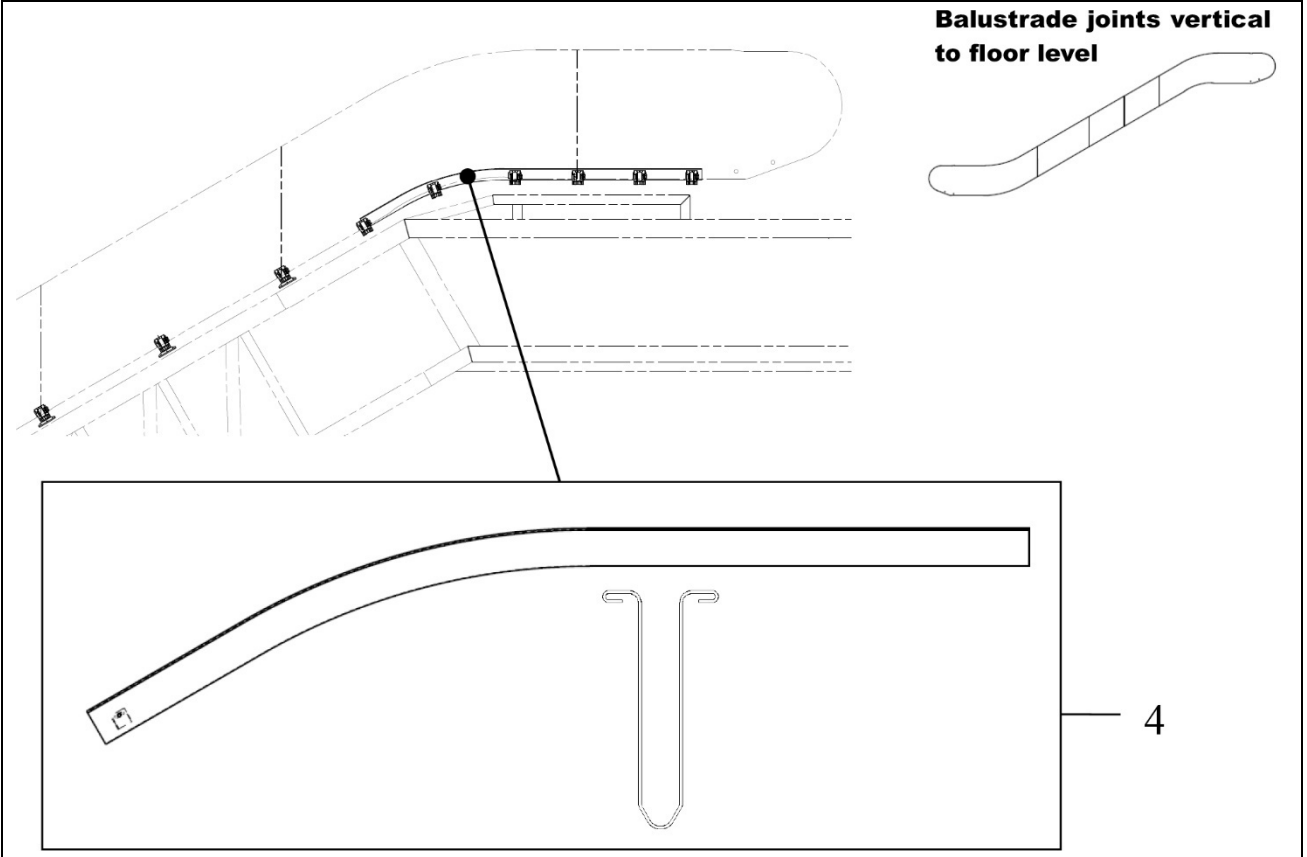
**ESCALATOR
BALUSTRDE FM**



		HE0806E TRCAT: Upper landing track radius							
REF. No.	PART No.	Interior panels thickness	Balus trade joints	ENVI RMT	INC LI	FLSTL	Arrange ment	TRC AT	Name of Part
4	HAA402JV1	10 mm	Vertica l to floor level	Indoor	30°	2 Flat steps	Left side	1000	UPPER LANDIN G BALUST RADE SUPPO RT
	HAA402JV2					Right side			
	HAA402JV3					3 Flat steps	Left side		
	HAA402JV4					Right side			
	HAA402JV5				2 Flat steps	Left side			
	HAA402JV6				Right side				
	HAA402JV7				3 Flat steps	Left side			
	HAA402JV8				Right side				
	HAA402JV21			Outdoor	30°	2 Flat steps	Left side		
	HAA402JV22					Right side			
	HAA402JV23					3 Flat steps	Left side		
	HAA402JV24					Right side			
	HAA402JV25				35°	2 Flat steps	Left side		
	HAA402JV26					Right side			
	HAA402JV27					3 Flat steps	Left side		
	HAA402JV28					Right side			

ESCALATOR BALUSTRDE FM

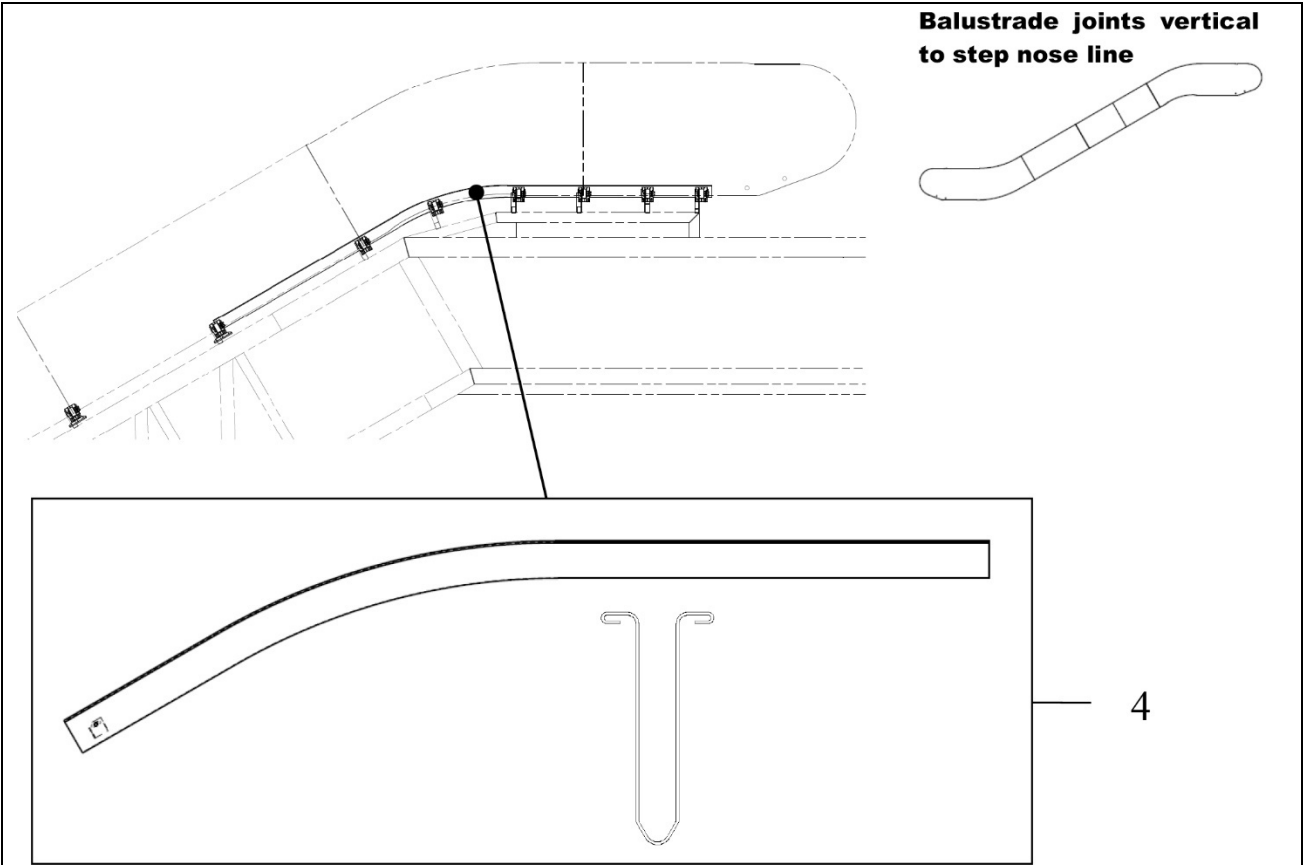
57-HE0806E



		TRCAT: Upper landing track radius FLSTLsec : Number of flat steps at both landings							
REF. No.	PART No.	Interior panels thickness	Balustrade joints	ENVIRONMENT	INC LI	FLST Lsec	Arrangement	TRCAT	Name of Part
4	HAA402JV11	10 mm	Vertical to floor level	Indoor	30°	2FSReal	Left side	1000	UPPER LANDING BALUSTRADE SUPPORT
	HAA402JV12						Right side		
	HAA402JV31			Outdoor			Left side		
	HAA402JV32						Right side		
	HAA402JV81			Indoor		3FS	Left side	1500	
	HAA402JV82						Right side		
	HAA402JV83			Outdoor			Left side		
	HAA402JV84						Right side		
	HAA402JV85			Indoor			Left side		
	HAA402JV86						Right side		
	HAA402JV87			Outdoor		Left side			
	HAA402JV88					Right side			
	HAA402JV13			Indoor		2FSReal	Left side		
	HAA402JV14						Right side		
	HAA402JV33			Outdoor			Left side		
	HAA402JV34						Right side		

57-HE0806E

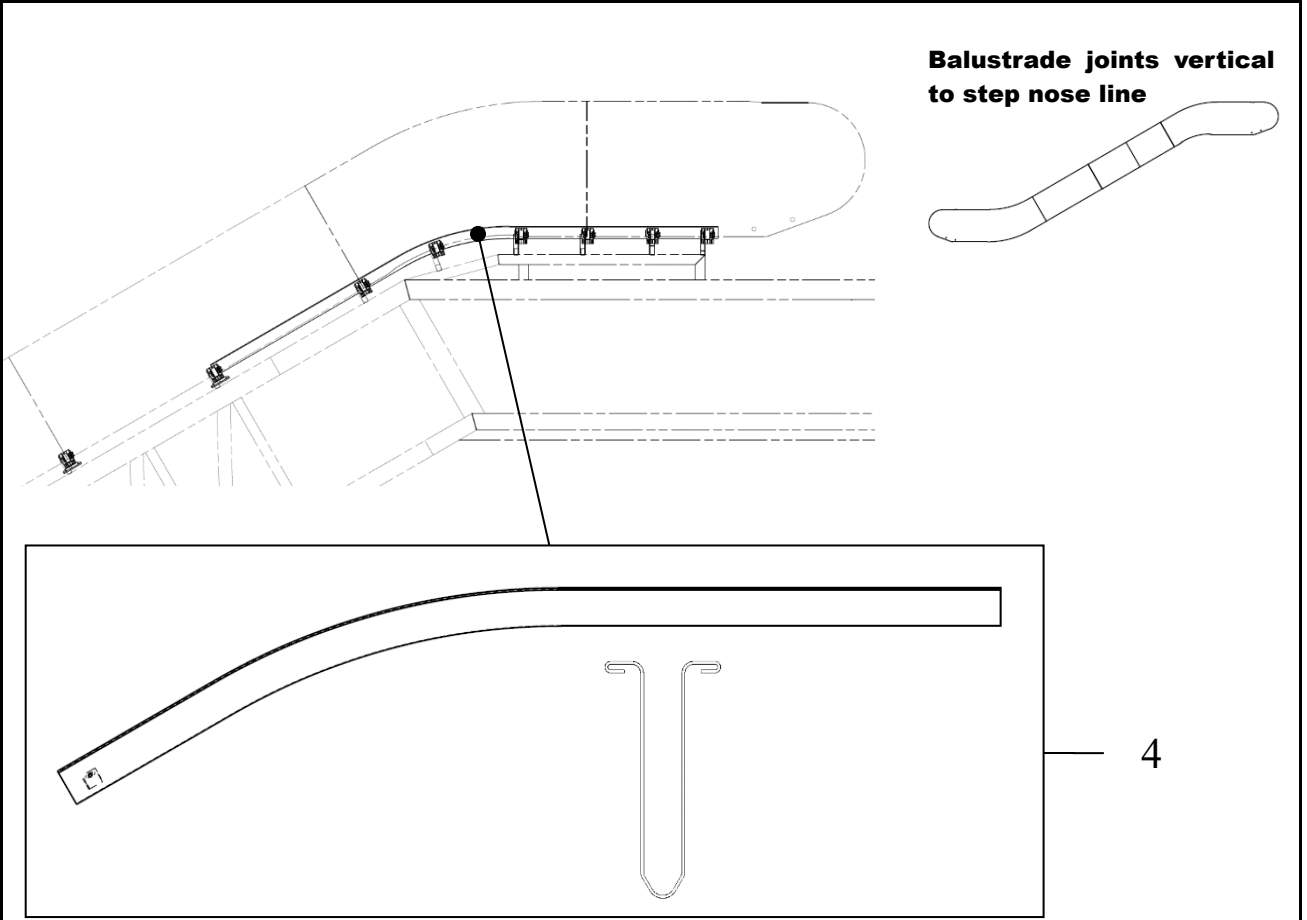
**ESCALATOR
BALUSTRDE FM**



		HE0806E								TRCAT: Upper landing track radius	
REF. No.	PART No.	Interior panels thickness	Balustrade joints	ENVIR MT	INC LI	FLST L	Arrange ment	TRC AT	Name of Part		
4	HAA402JV949	13.5 mm	Vertical to step nose line	Indoor	30°	2 Flat steps	Left side	1000	UPPER LANDING BALUSTRADE SUPPORT		
	Right side										
	3 Flat steps					Left side					
						Right side					
	35°				2 Flat steps	Left side					
						Right side					
					3 Flat steps	Left side					
						Right side					
	Outdoor			30°	2 Flat steps	Left side					
						Right side					
					3 Flat steps	Left side					
						Right side					
				35°	2 Flat steps	Left side					
						Right side					
					3 Flat steps	Left side					
						Right side					

ESCALATOR BALUSTRDE FM

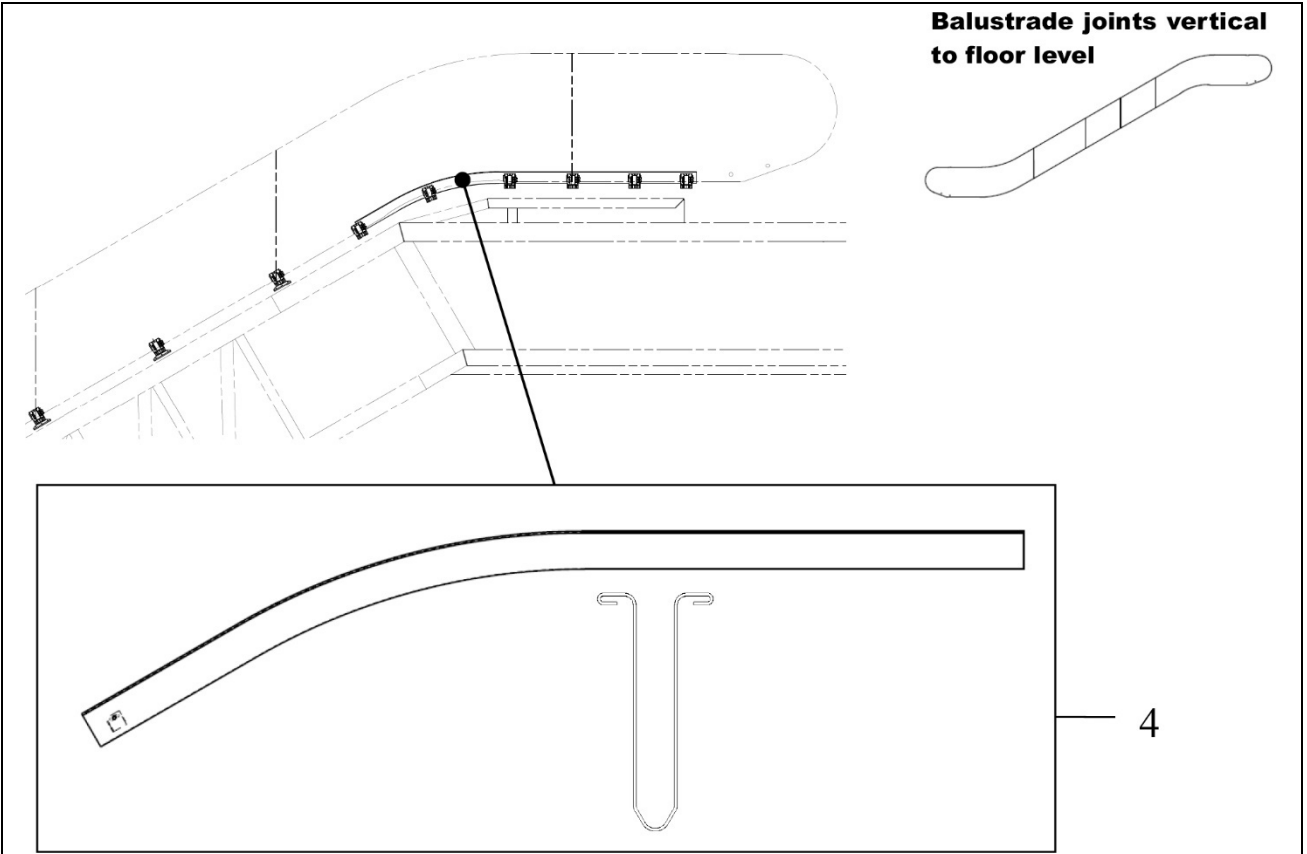
57-HE0806E



HE0806E		TRCAT: Upper landing track radius							
REF. No.	PART No.	Interior panels thickness	Balustrade joints	ENVIR MT	INCL I	FLST L	Arrangement	TRCAT	Name of Part
4	HAA402JV699	13.5 mm	Vertical to step nose line	Indoor	30°	3 Flat steps	Left side	1500	UPPER LANDING BALUSTRADE SUPPORT
	HAA402JV698						Right side		
	HAA402JV697			Outdoor			Left side		
	HAA402JV696			Right side					
	HAA402JV689			Indoor			Left side		
	HAA402JV688			Right side					
	HAA402JV687			Outdoor			Left side		
	HAA402JV686			Right side					

57-HE0806E

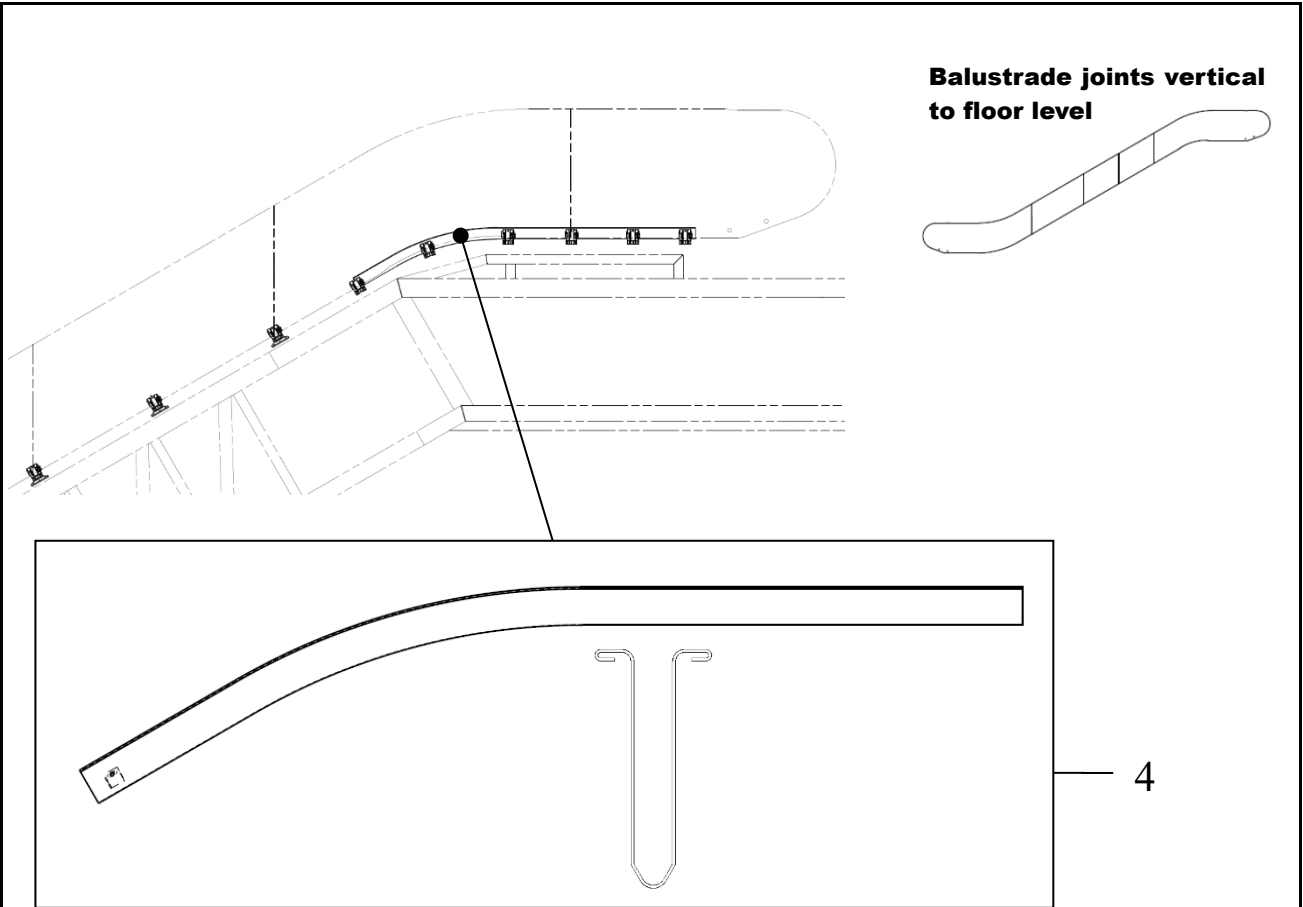
**ESCALATOR
BALUSTRDE FM**



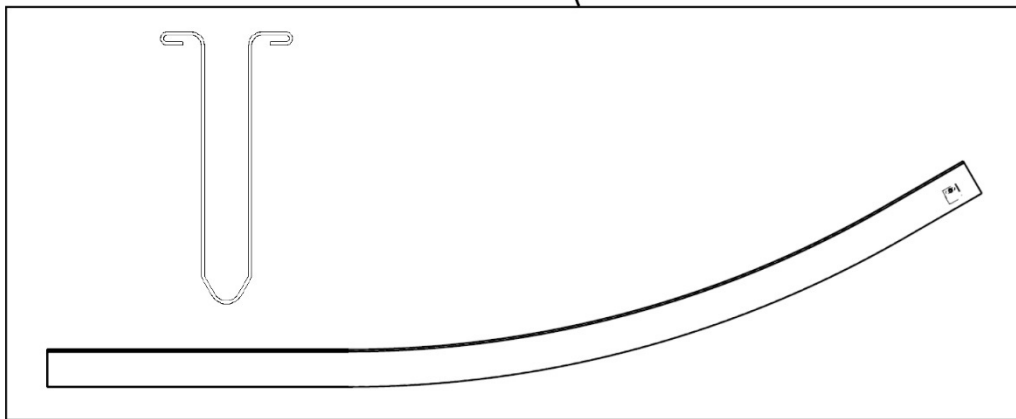
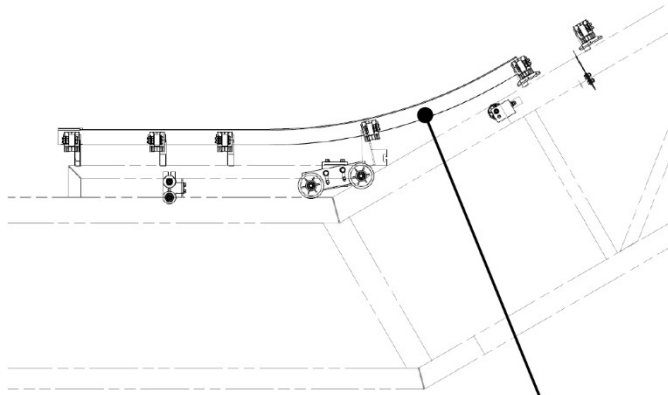
		HE0806E TRCAT: Upper landing track radius							
REF. No.	PART No.	Interior panels thickness	Balustrade joints	ENVIR MT	INC LI	FLST L	Arrangement	TRCAT	Name of Part
4	HAA402JV51	13.5 mm	Vertical to floor level	Indoor	30°	2 Flat steps	Left side	1000	UPPER LANDING BALUSTRADE SUPPORT
	HAA402JV52					Right side			
	HAA402JV53					3 Flat steps	Left side		
	HAA402JV54					Right side			
	HAA402JV55				2 Flat steps	Left side			
	HAA402JV56				Right side				
	HAA402JV57				3 Flat steps	Left side			
	HAA402JV58				Right side				
	HAA402JV71			Outdoor	30°	2 Flat steps	Left side		
	HAA402JV72					Right side			
	HAA402JV73					3 Flat steps	Left side		
	HAA402JV74					Right side			
	HAA402JV75				35°	2 Flat steps	Left side		
	HAA402JV76					Right side			
	HAA402JV77					3 Flat steps	Left side		
	HAA402JV78					Right side			

ESCALATOR BALUSTRDE FM

57-HE0806E



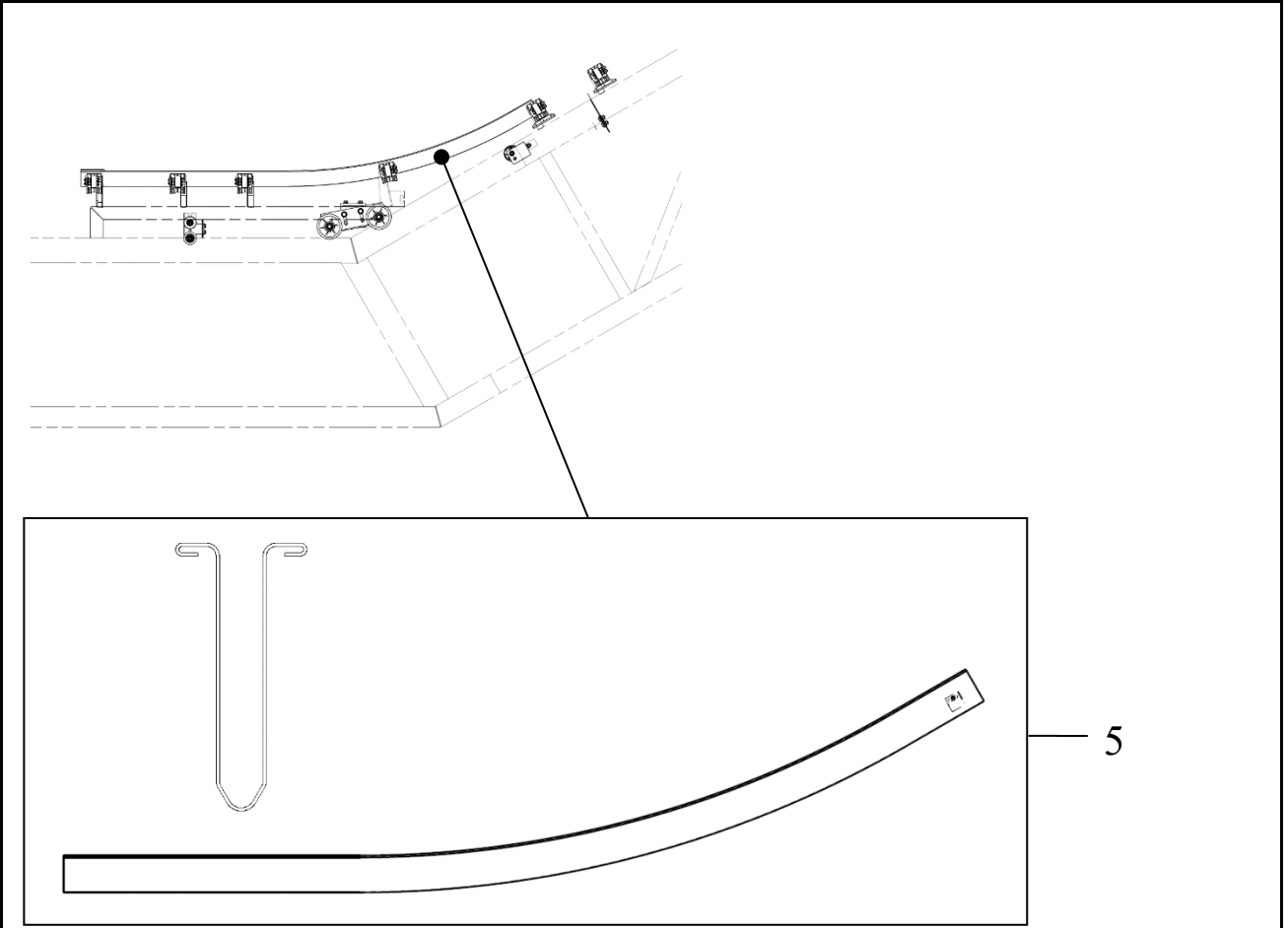
HE0806E		TRCAT: Upper landing track radius							
REF. No.	PART No.	Interior panels thickness	Balustrade joints	ENVIR MT	INCL I	FLST L	Arrange ment	TRC AT	Name of Part
4	HAA402JV91	13.5 mm	Vertical to floor level	Indoor	30°	3 Flat steps	Left side	1500	UPPER LANDING BALUSTRADE SUPPORT
	HAA402JV92			Right side					
	HAA402JV93			Outdoor			Left side		
	HAA402JV94			Right side					
	HAA402JV95			Indoor			Left side		
	HAA402JV96			Right side					
	HAA402JV97			Left side					
	HAA402JV98			Outdoor			Right side		



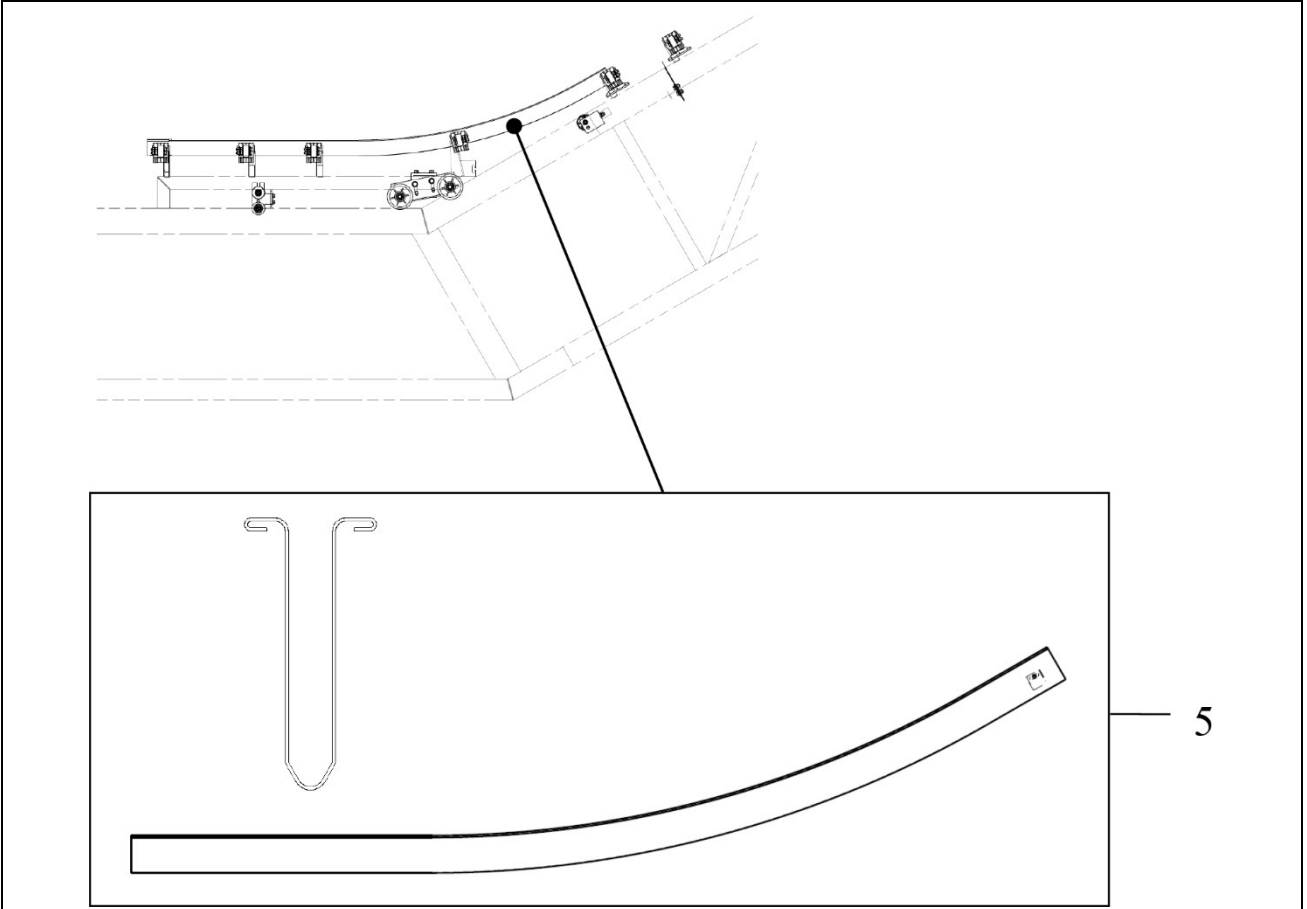
		HE0806E							TRCAT: Upper landing track radius	
REF. No.	PART No.	Interior panels thickness	ENVIRMT	INC LI	FLSTL	Arrange ment	TRC AT	Name of Part		
5	HAA402JT1	10 mm	Indoor	30°	2 Flat steps	Left side	1000	LOWER LANDIN G BALUST RADE SUPPO RT		
	HAA402JT2					Right side				
	HAA402JT3				Left side					
	HAA402JT4				Right side					
	HAA402JT5			35°	2 Flat steps	Left side				
	HAA402JT6				Right side					
	HAA402JT7				3 Flat steps	Left side				
	HAA402JT8				Right side					
	HAA402JT21		Outdoor	30°	2 Flat steps	Left side				
	HAA402JT22					Right side				
	HAA402JT23				3 Flat steps	Left side				
	HAA402JT24				Right side					
	HAA402JT25			35°	2 Flat steps	Left side				
	HAA402JT26				Right side					
	HAA402JT27				3 Flat steps	Left side				
	HAA402JT28				Right side					

ESCALATOR BALUSTRDE FM

57-HE0806E



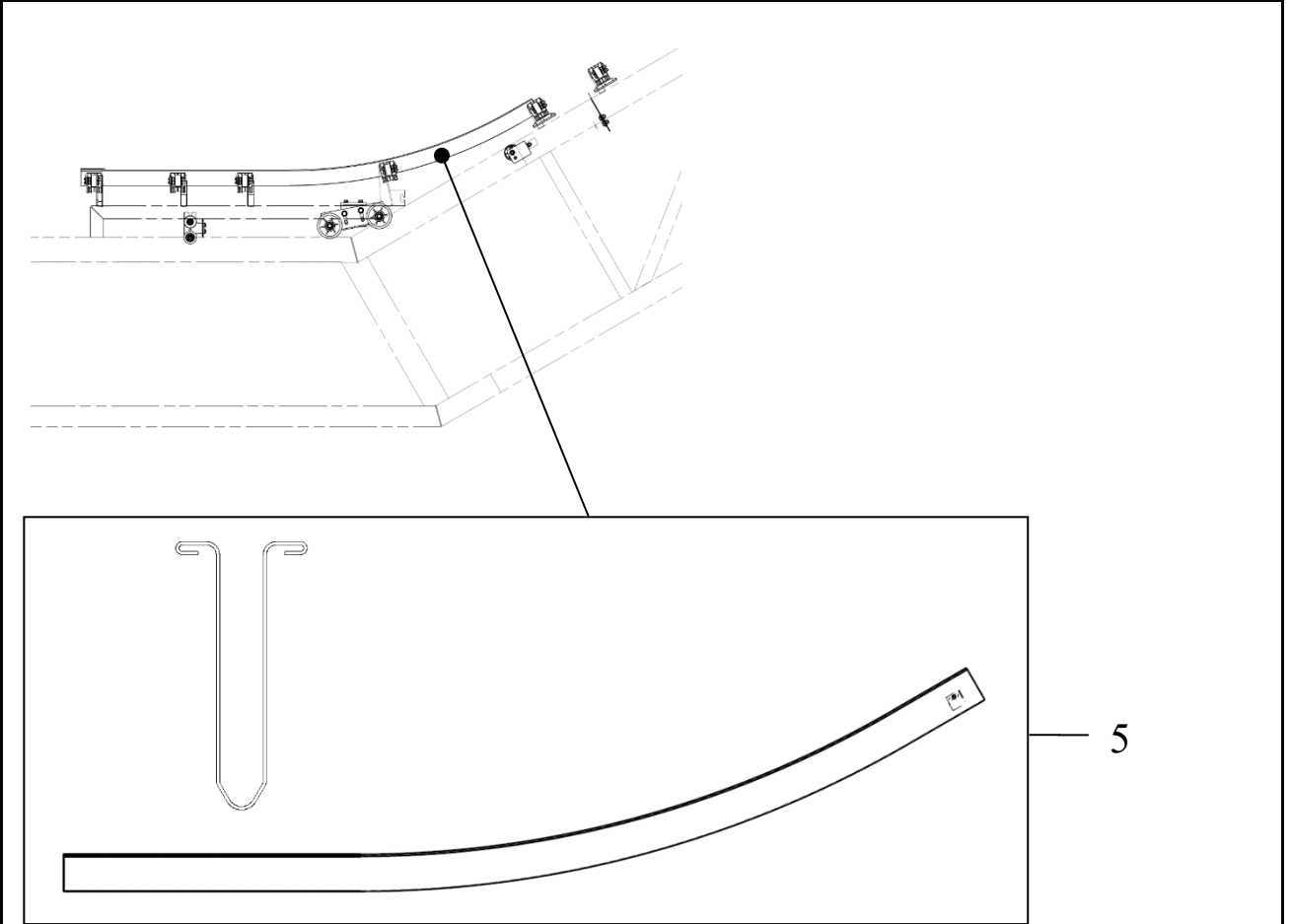
		TRCAT: Upper landing track radius FLSTLsec : Number of flat steps at both landings						
REF. No.	PART No.	Interior panels thickness	ENVIRMT	INCLI	FLST Lsec	Arrangement	TRCAT	Name of Part
	HE0806E							
5	HAA402JT11	10 mm	Indoor	30°	2FSReal	Left side	1000	LOWER LANDING BALUSTRADE SUPPORT
	HAA402JT12					Right side		
	HAA402JT31		Outdoor			Left side		
	HAA402JT32					Right side		
	HAA402JT81		Indoor		3FS	Left side	1500	
	HAA402JT82		Right side					
	HAA402JT83		Outdoor			Left side		
	HAA402JT84		Right side					
	HAA402JT85		Indoor			Left side		
	HAA402JT86		Right side					
	HAA402JT87		Outdoor		Left side			
	HAA402JT88				Right side			



		HE0806E							TRCAT: Upper landing track radius	
REF. No.	PART No.	Interior panels thickness	ENVIRMT	INC LI	FLSTL	Arrange ment	TRC AT	Name of Part		
5	HAA402JT51	13.5 mm	Indoor	30°	2 Flat steps	Left side	1000	LOWER LANDIN G BALUST RADE SUPPO RT		
	Right side									
	3 Flat steps				Left side					
					Right side					
	35°			2 Flat steps	Left side					
					Right side					
				3 Flat steps	Left side					
					Right side					
	Outdoor		30°	2 Flat steps	Left side					
					Right side					
				3 Flat steps	Left side					
					Right side					
			35°	2 Flat steps	Left side					
					Right side					
				3 Flat steps	Left side					
					Right side					

ESCALATOR BALUSTRDE FM

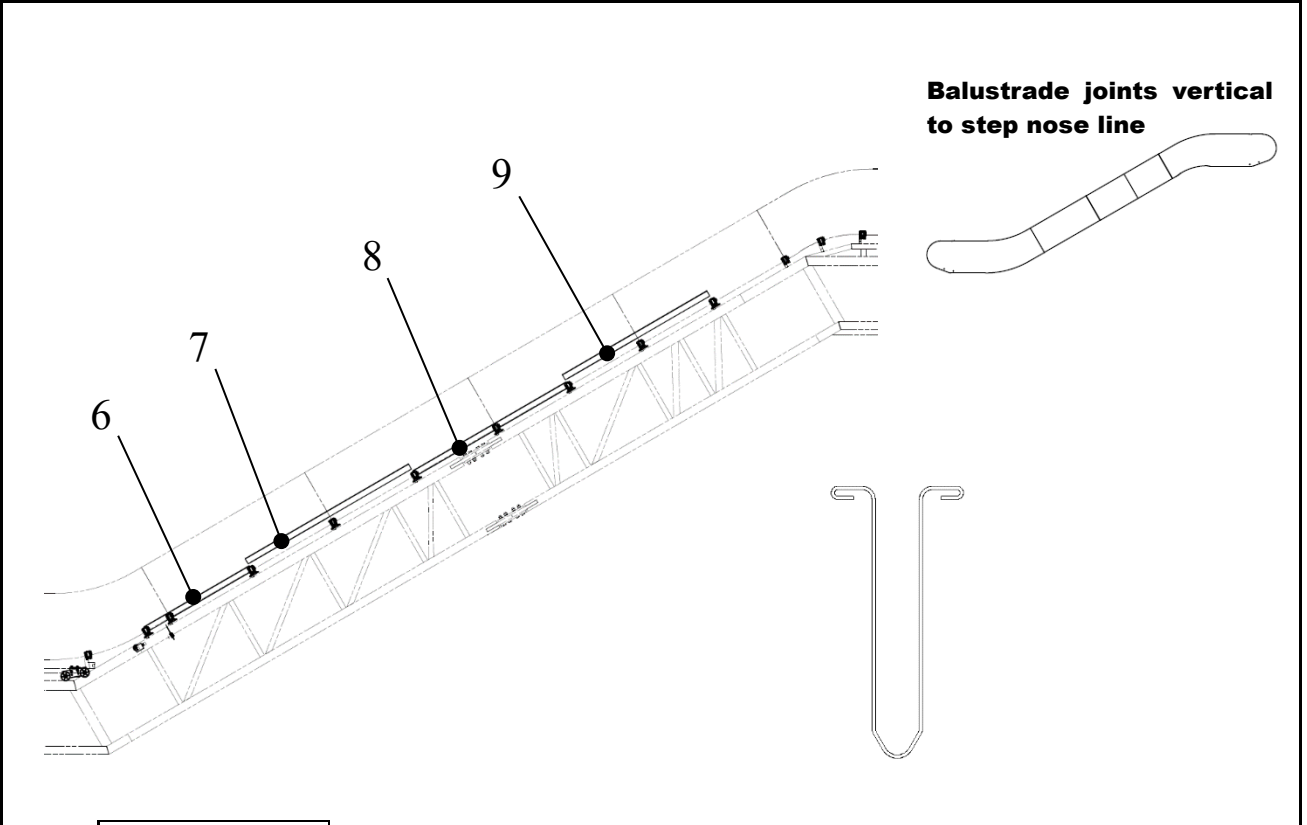
57-HE0806E



HE0806E		TRCAT: Upper landing track radius						
REF. No.	PART No.	Interior panels thickness	ENVIRMT	INCL I	FLSTL	Arrange ment	TRC AT	Name of Part
5	HAA402JT91	13.5 mm	Indoor	30°	3 Flat steps	Left side	1500	LOWER LANDIN G BALUSTR ADE SUPPO RT
	HAA402JT92					Right side		
	HAA402JT93		Outdoor			Left side		
	HAA402JT94					Right side		
	HAA402JT95		Indoor			Left side		
	HAA402JT96					Right side		
	HAA402JT97		Outdoor			Left side		
	HAA402JT98					Right side		

57-HE0806E

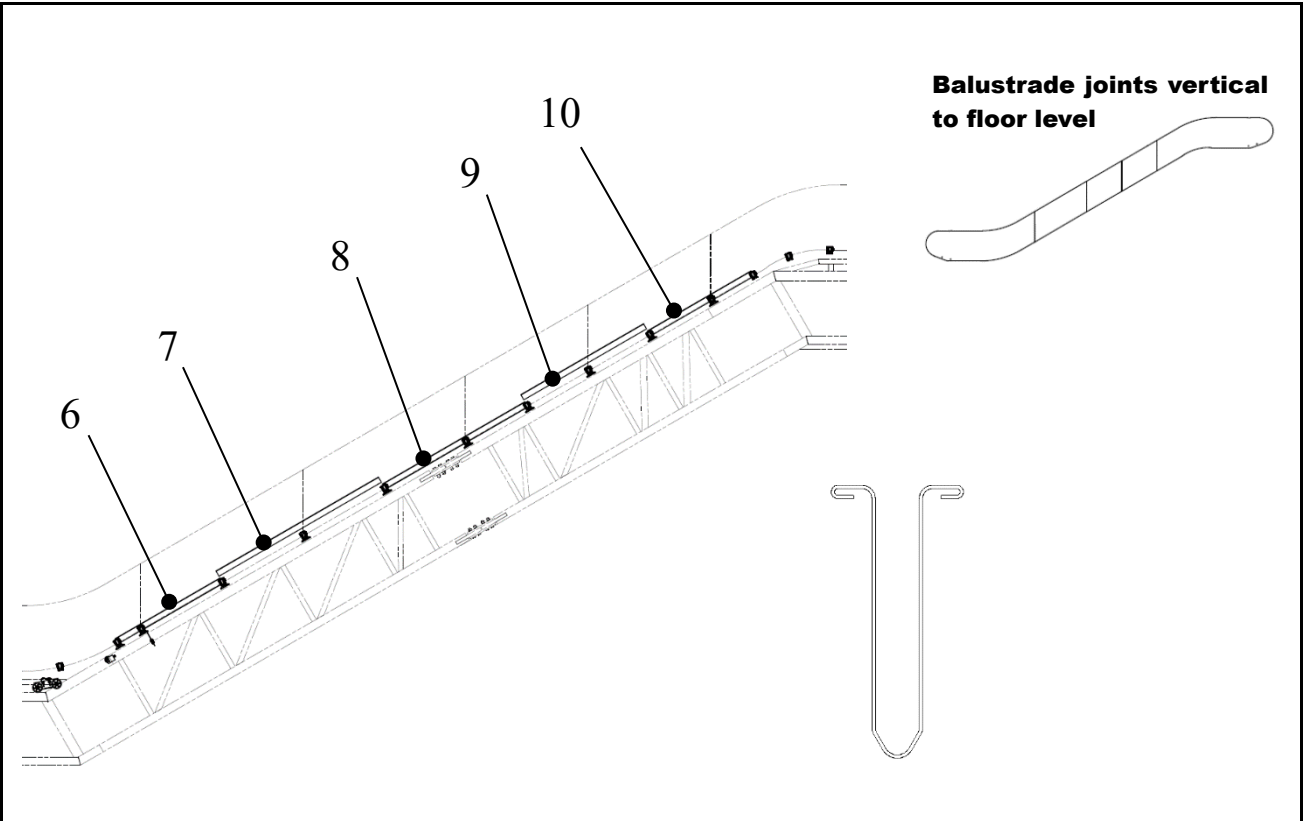
**ESCALATOR
BALUSTRDE FM**



HE0806E		TN1: Number of glass panels in inclined section DIM11-14 Length of glass supports in inclined section					
REF. No.	PART No.	Interior panels thickness	Balustrade joints	ENVIR MT	LENGTH	Qty.	Name of Part
6	HAA402JW1	10 mm	Vertical to step nose line	Indoor	1497	2	INCLINE SECTION BALUSTRADE SUPPORT
	HAA402JW995				DIM13	2	
7	HAA402JW3				2320	2×(TN1-3)	
8	HAA402JW999				DIM11	2	
9	HAA402JW997				DIM12	2	
	HAA402JW993				DIM14	2	
6	HAA402JW21			Outdoor	1497	2	
	HAA402JW975				DIM13	2	
7	HAA402JW23				2320	2×(TN1-3)	
8	HAA402JW979				DIM11	2	
9	HAA402JW977				DIM12	2	
	HAA402JW973				DIM14	2	

ESCALATOR BALUSTRDE FM

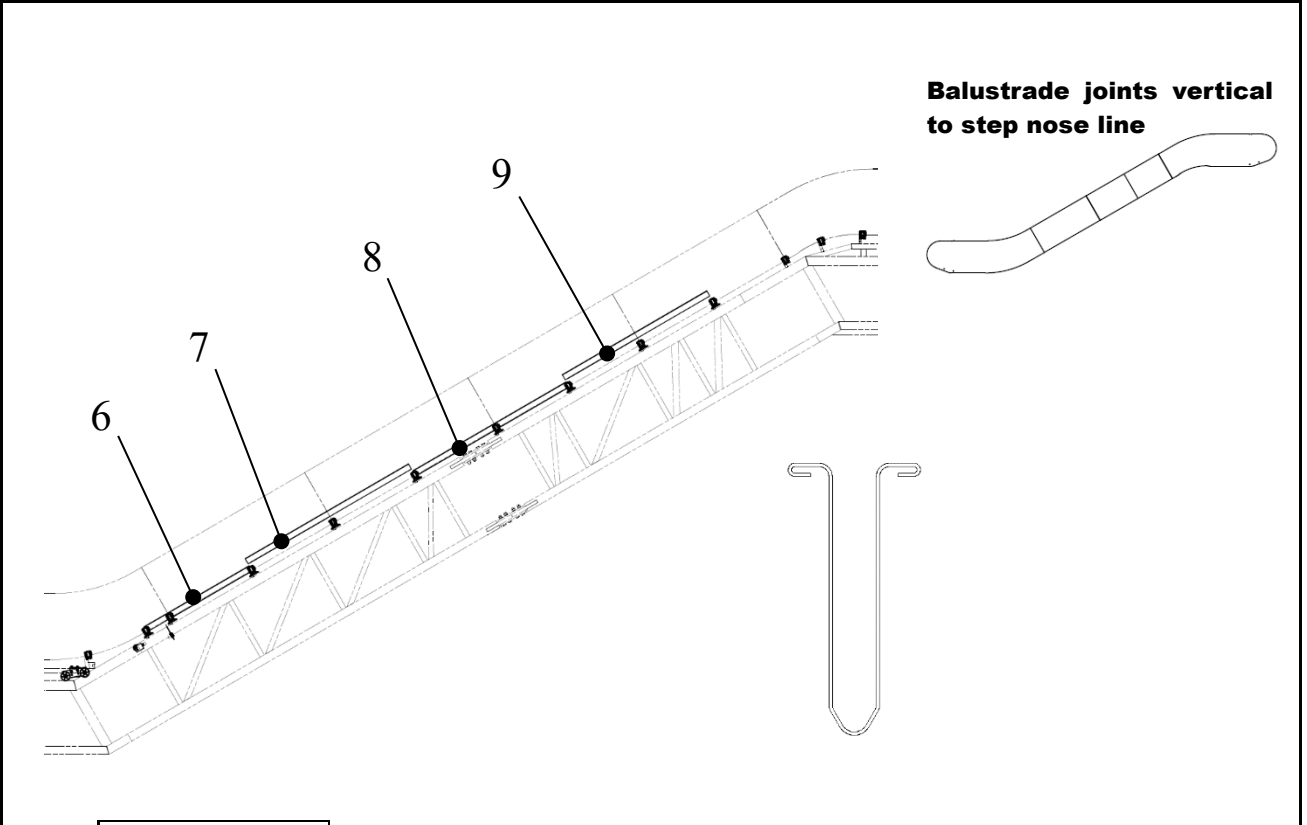
57-HE0806E



HE0806E		TN1: Number of glass panels in inclined section DIM11-15: Length of glass supports in inclined section							
REF. No.	PART No.	Interior panels thickness	Balustrade joints	ENVIR MT	LENGTH	Qty.	Name of Part		
6	HAA402JW1	10 mm	Vertical to floor level	Indoor	1497	2	INCLINE SECTION BALUSTRADE SUPPORT		
	HAA402JW995				DIM13	2			
7	HAA402JW3				2320	2×(TN1-3)			
8	HAA402JW999				DIM11	2			
9	HAA402JW997				DIM12	2			
	HAA402JW993				DIM14	2			
10	HAA402JW991			DIM15	2				
6	HAA402JW21			10 mm	Vertical to floor level	Outdoor		1497	2
	HAA402JW975							DIM13	2
7	HAA402JW23							2320	2×(TN1-3)
8	HAA402JW979							DIM11	2
9	HAA402JW977							DIM12	2
	HAA402JW973							DIM14	2
10	HAA402JW971					DIM15		2	

57-HE0806E

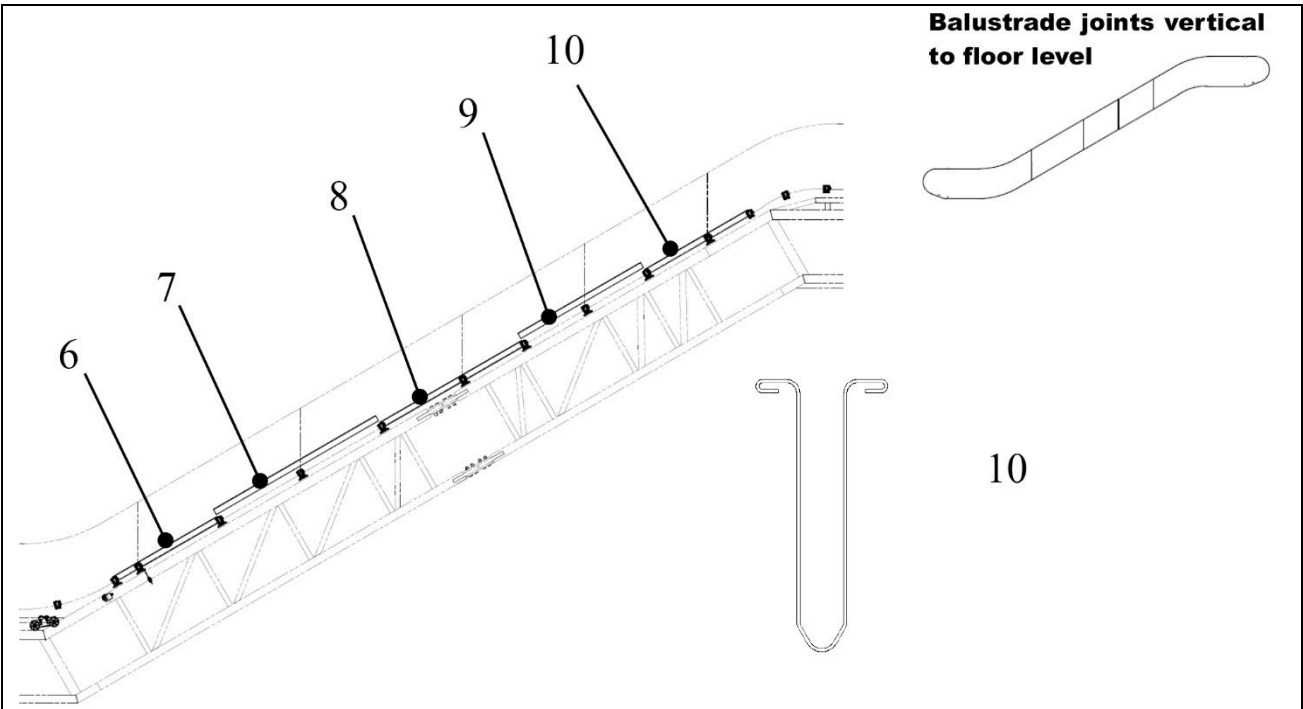
**ESCALATOR
BALUSTRDE FM**



HE0806E		TN1: Number of glass panels in inclined section DIM11-14 Length of glass supports in inclined section					
REF. No.	PART No.	Interior panels thickness	Balustrade joints	ENVIR MT	LENGTH	Qty.	Name of Part
6	HAA402JW51	13.5 mm	Vertical to step nose line	Indoor	1497	2	INCLINE SECTION BALUSTRADE SUPPORT
	HAA402JW945				DIM13	2	
7	HAA402JW53				2320	2×(TN1-3)	
8	HAA402JW949				DIM11	2	
9	HAA402JW947				DIM12	2	
	HAA402JW943				DIM14	2	
6	HAA402JW71			Outdoor	1497	2	
	HAA402JW925				DIM13	2	
7	HAA402JW73				2320	2×(TN1-3)	
8	HAA402JW929				DIM11	2	
9	HAA402JW927				DIM12	2	
	HAA402JW923				DIM14	2	

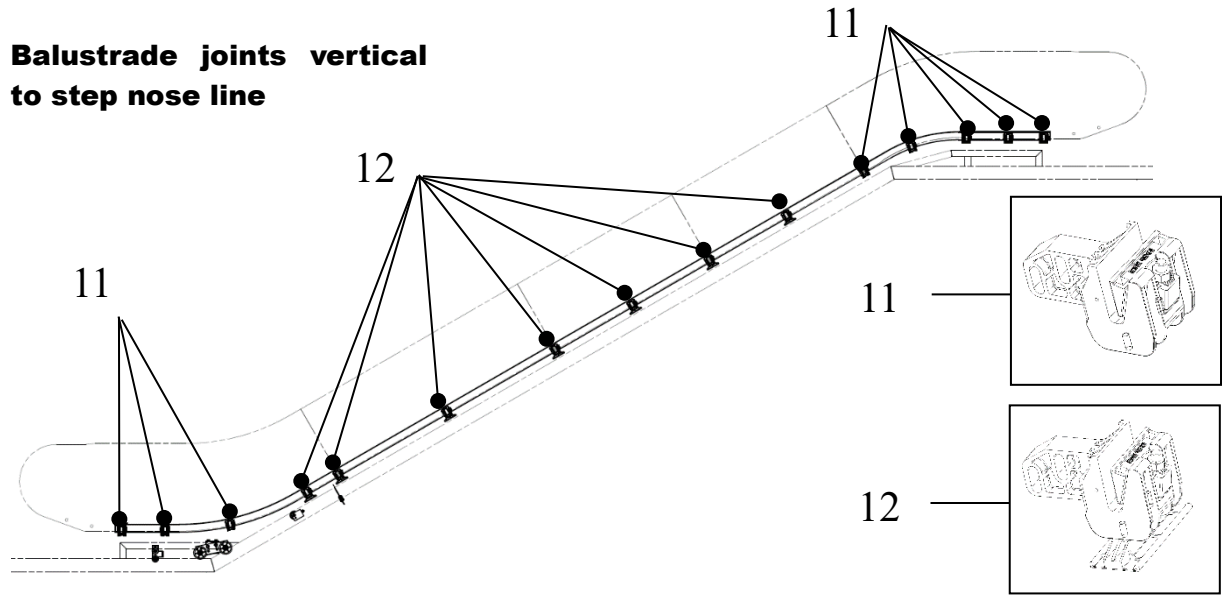
ESCALATOR BALUSTRDE FM

57-HE0806E

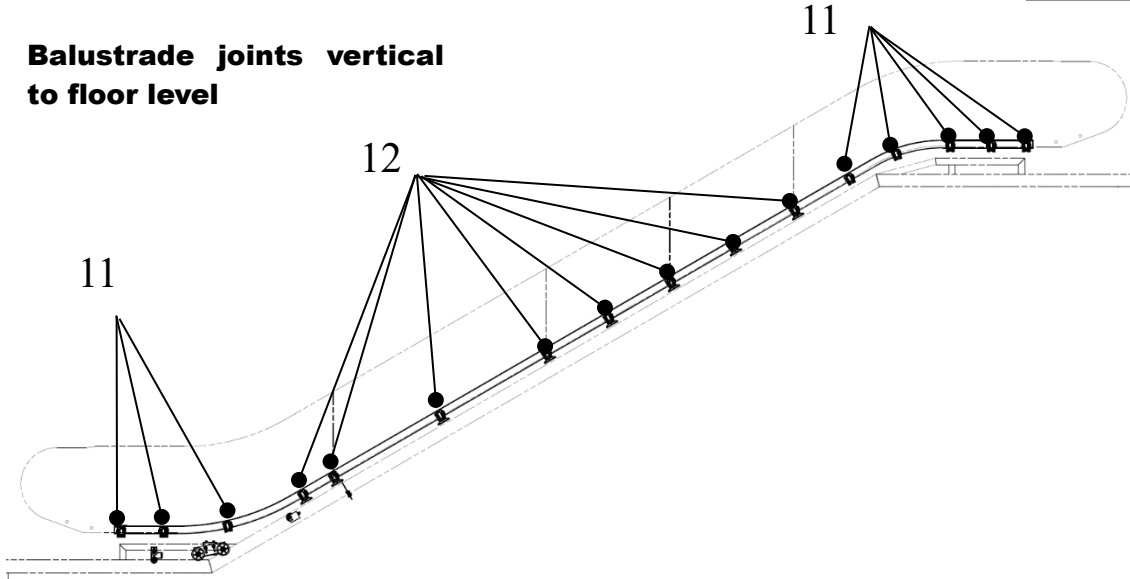


HE0806E		TN1: Number of glass panels in inclined section DIM11-15: Length of glass supports in inclined section						
REF. No.	PART No.	Interior panels thickness	Balustrade joints	ENVIR MT	LENGTH	Qty.	Name of Part	
6	HAA402JW51	13.5 mm	Vertical to floor level	Indoor	1497	2	INCLINE SECTION BALUSTRADE SUPPORT	
	HAA402JW945				DIM13	2		
7	HAA402JW53				2320	2×(TN1-3)		
8	HAA402JW949				DIM11	2		
9	HAA402JW947				DIM12	2		
	HAA402JW943				DIM14	2		
10	HAA402JW941				DIM15	2		
6	HAA402JW71				Outdoor	1497		2
	HAA402JW925					DIM13		2
7	HAA402JW73					2320		2×(TN1-3)
8	HAA402JW929			DIM11		2		
9	HAA402JW927			DIM12		2		
	HAA402JW923			DIM14		2		
10	HAA402JW921			DIM15		2		

**Balustrade joints vertical
to step nose line**



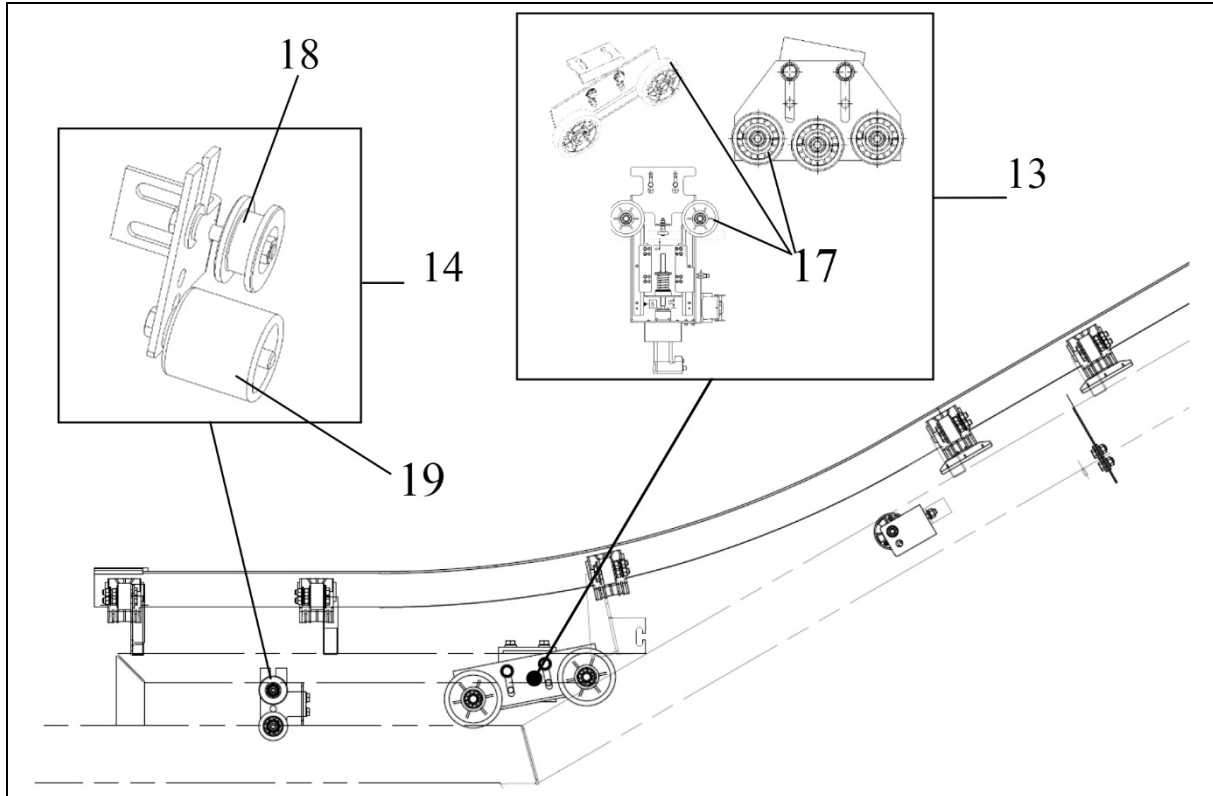
**Balustrade joints vertical
to floor level**



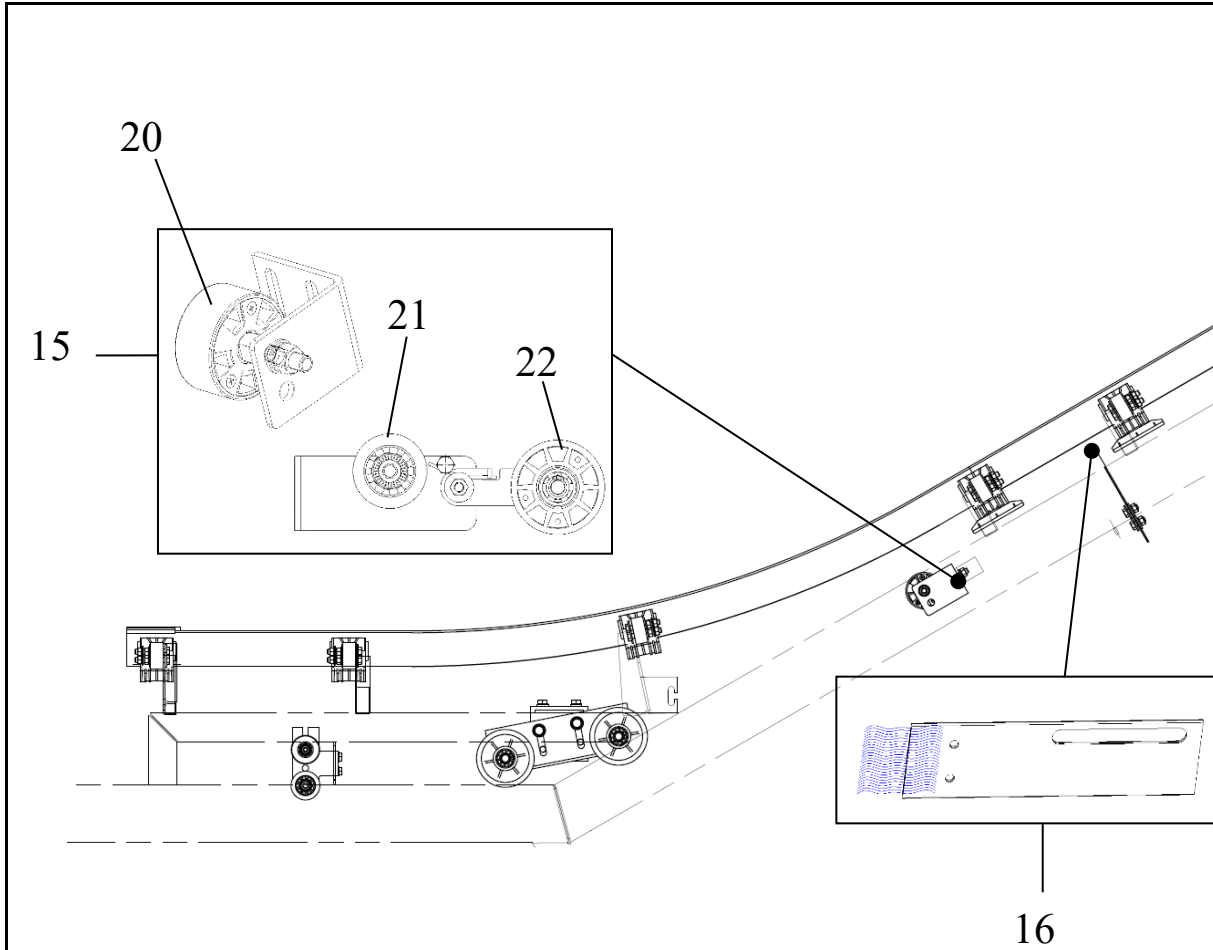
HE0806E				
REF. No.	PART No.	Interior panels thickness	ENVIRMT	Name of Part
11	XBA316AFY1	10 mm	Indoor	GLASS CLAMPING HOLDER
12	XBA316AFY3		Outdoor	
11	XBA316AFY7			
12	XBA316AFY9			
11	HAA316BBK1	13.5 mm	Indoor	
12	HAA316BBK2		Outdoor	
11	HAA316BBK3			
12	HAA316BBK4			

ESCALATOR BALUSTRDE FM

57-HE0806E



		HRSAD (handrail system adjustment device): HRSADA (Automatic); LMRPACK: LMR PACKAGE							
REF. No.	PART No.	Balust rade height	ENVIR MT	LMRPA CK	ARR.	FLST Lsec	HRS AD	Name of Part	
13	HAA26183CA1	930, 1000	INDOOR	<>ANSI& ANSI_NY	RIGHT	ALL	N/A	HANDRAIL TENSION DEVICE	
	HAA26183CA2				LEFT				
	HAA26183S3		OUTDOOR		RIGHT				
	HAA26183S4				LEFT				
	HAA26180S1		ALL		RIGHT				HRS ADA
	HAA26180S2				LEFT				
14	HAA26183N9	930, 1000	INDOOR	ALL	RIGHT	2FS,2F SReal	ALL	LOWER ROLLER	
	HAA26183N10				LEFT				
	HAA26183N13				RIGHT				
	HAA26183N14				LEFT				
	HAA26183N11		OUTDOOR		RIGHT				2FS,2F SReal
	HAA26183N12				LEFT				
	HAA26183N15				RIGHT				
	HAA26183N16				LEFT				
17	GAA290CF2	ALL	INDOOR	<>ANSI& ANSI_NY	ALL	ALL	N/A	ROLLER	
	XAA456A1	ALL	OUTDOOR						
	XAA456A1	ALL	ALL						ANSI&ANSI_NY
18	XAA456AL2	ALL	ALL	ALL	ALL	ALL	ALL	ROLLER	
19	XAA456K1	ALL	INDOOR	ALL	ALL	ALL	ALL	ROLLER	
	XAA456K2		OUTDOOR						



HE0806E					
REF. No.	PART No.	ENVIRMT	ARR.	LMRPACK (LMR PACKAGE)	Name of Part
15	HAA26183N1	INDOOR	RIGHT	<>ANSI&ANSI_NY	HANDRAIL SPEED DETECTING ROLLER
	HAA26183N2		LEFT		
	HAA26183N3	OUTDOOR	RIGHT		
	HAA26183N4		LEFT		
	HAA26183BJ1	ALL	RIGHT	ANSI&ANSI_NY	
	HAA26183BJ2		LEFT		
16	XAA241E1	N/A			HANDRAIL ANTI-STATIC BRUSH
20	XAA456BL1	ALL	ALL	<>ANSI&ANSI_NY	ROLLER
21	XAA456K1	ALL	ALL	ANSI&ANSI_NY	ROLLER
22	XAA456BL1	ALL	ALL	ANSI&ANSI_NY	ROLLER