

ESCALATOR
57-HE0807F

History

Leaflet Description

Link&XO-508 Entry Box Assembly

Leaflet Revisions

Date Revised	Subject Matter Expert	Reason for Revision
December 12, 2019	Zhang, Di	New SPL

Related Drawings

Drawing No.	Title	Drawing No.	Title
HE0807F	ENTRY BOX ASSEMBLY	XAA384KP	HANDRAIL GUIDE INSERT
HAA396AE	ENTRY SHELL INSIDE	GAA72BW	NUT
HAA396AF	ENTRY SHELL OUTSIDE	HAA384MV	DEFLECTOR INSIDE
HAA180DA	FRONT PLATE ASSEMBLY	HAA384MT	DEFLECTOR OUTSIDE
HAA180J	FRONT PLATE ASSEMBLY	XAA137A	TUBE, NON-METALIC
HAA180JQ	FRONT PLATE ASSEMBLY	HAA402JA	MOULDING
HAA180KD	FRONT PLATE ASSEMBLY	HAA402NW	MOULDING
HAA316AMG	ENTRYBOX BRACKET	XAA72AK	NUTS

Related Documents

Document ID	Title
ODS HE0807F	HANDRAIL ENTRY
EBOM HAA396AE	ENTRY SHELL INSIDE
EBOM HAA396AF	ENTRY SHELL OUTSIDE
EBOM HAA180DA	FRONT PLATE ASSEMBLY
EBOM HAA180J	FRONT PLATE ASSEMBLY
EBOM HAA180JQ	FRONT PLATE ASSEMBLY
EBOM HAA180KD	FRONT PLATE ASSEMBLY
EBOM HAA316AMG	ENTRYBOX BRACKET

Subject Matter Expert

Name	Department
Zhang, Di	SIT-HANGZHOU

About Spare Parts Leaflets...

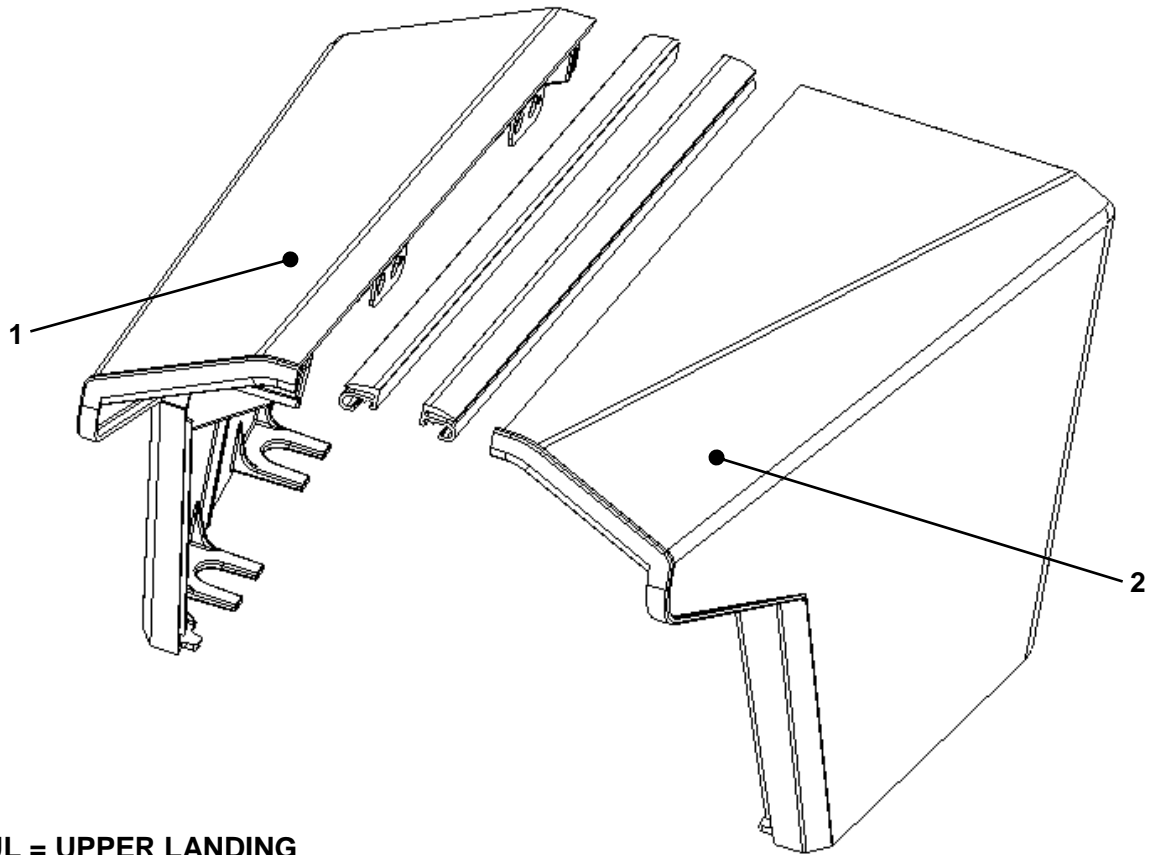
This document lists the lowest replaceable units (LRUs) for the standard version of the product. The LRUs are chosen by a team of Otis associates representing engineering and manufacturing.

While goal of this document is to make parts identification as easy as possible, the document cannot be all-inclusive. Elevator and escalator contracts classified as “special” or “custom” are not addressed here. For such contracts, please refer to specified information, the contract folder, TIPs, Field Education Articles, Construction Letters, etc. for further information.

If you have any suggestions about this document, please switch the subject matter expert listed on this page.

Link&XO-508 Entry Box Assembly

**Spare Parts Leaflet
57-HE0807F**

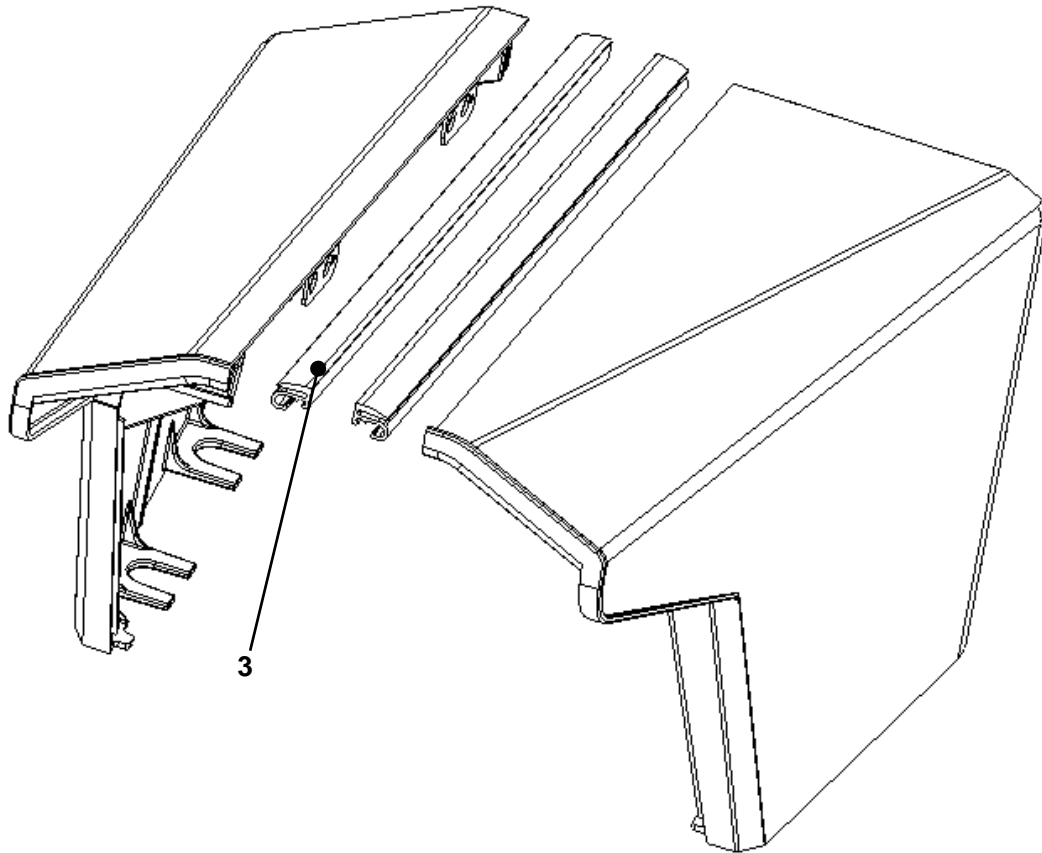


UL = UPPER LANDING
LL = LOWER LANDING
RS = RIGHT SIDE
LS = LEFT SIDE
ENTRYBOXsec = Handrail entry box Finish
ALCB = Black powder coated aluminium
ALCG = Grey powder coated aluminium

HE0807F			
REF. No.	PART No.	DESCRIPTION	LOCATION
1	HAA396AE1	ENTRY SHELL INSIDE, ENTRYBOXsec = ALCB	LL, RS; UL, LS
	HAA396AE2	ENTRY SHELL INSIDE, ENTRYBOXsec = ALCB	LL, LS; UL, RS
	HAA396AE3	ENTRY SHELL INSIDE, ENTRYBOXsec = ALCG	LL, RS; UL, LS
	HAA396AE4	ENTRY SHELL INSIDE, ENTRYBOXsec = ALCG	LL, LS; UL, RS
2	HAA396AF1	ENTRY SHELL OUTSIDE, ENTRYBOXsec = ALCB	LL, RS; UL, LS
	HAA396AF2	ENTRY SHELL OUTSIDE, ENTRYBOXsec = ALCB	LL, LS; UL, RS
	HAA396AF3	ENTRY SHELL OUTSIDE, ENTRYBOXsec = ALCG	LL, RS; UL, LS
	HAA396AF4	ENTRY SHELL OUTSIDE, ENTRYBOXsec = ALCG	LL, LS; UL, RS

**Link&XO-508
Entry Box Assembly**

**Spare Parts Leaflet
57-HE0807F**



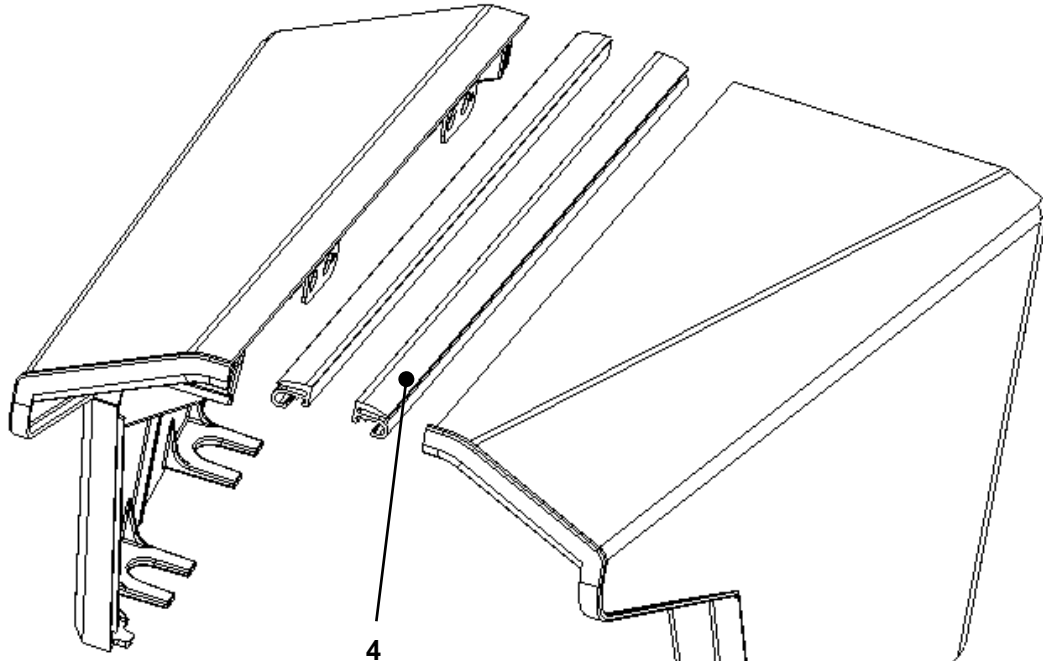
UL = UPPER LANDING
LL = LOWER LANDING
RS = RIGHT SIDE
LS = LEFT SIDE
COMPY = Country or region codes
79CN = China (China mainland)
ENVIRMT = Environment
LMRPACK= Local Market Requirement Package

REF. No.	PART No.	DESCRIPTION	REF. No.
	HE0807F		
3	HAA402JA1	MOULDING,COMPY = 79CN, ENVIRMT = INDOOR	LL, LS; UL, RS
	HAA402JA2	MOULDING,COMPY = 79CN, ENVIRMT = INDOOR	LL, RS; UL, LS
	HAA402JA3	MOULDING, COMPY = 79CN, ENVIRMT = OUTDOOR; COMPY ≠ 79CN, ENVIRMT = INDOOR or OUTDOOR;	LL, LS; UL, RS
	HAA402JA4	MOULDING, COMPY = 79CN, ENVIRMT = OUTDOOR; COMPY ≠ 79CN, ENVIRMT = INDOOR or OUTDOOR;	LL, RS; UL, LS

**Link&XO-508
Entry Box Assembly**

**Spare Parts Leaflet
57-HE0807F**

ONLY FOR <>ANSI & <>ANSI_NY



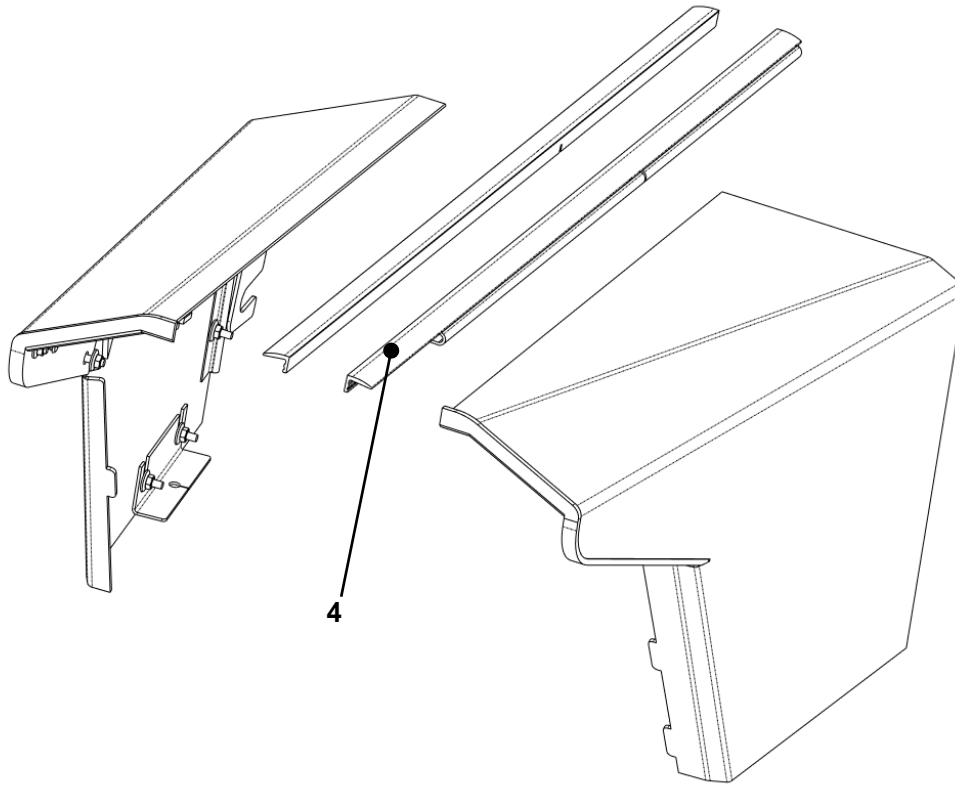
- UL = UPPER LANDING
- LL = LOWER LANDING
- RS = RIGHT SIDE
- LS = LEFT SIDE
- COMPY = Country or region codes
- 79CN = China (China mainland)
- ENVIRMT = Environment
- LMRPACK= Local Market Requirement Package
- PK_HK= HK Package
- PK_KCKS= KCKS Package

REF. No.	PART No.	DESCRIPTION	REF. No.
	HE0807F		
4	HAA402JA1	MOULDING, COMPY = 79CN, ENVIRMT = INDOOR LMRPACK=NA,PK_HK,PK_KCKS	LL, RS; UL, LS
	HAA402JA2	MOULDING,COMPY = 79CN, ENVIRMT = INDOOR LMRPACK=NA,PK_HK,PK_KCKS	LL, LS; UL, RS
	HAA402JA3	MOULDING, COMPY = 79CN, ENVIRMT = OUTDOOR; COMPY ≠ 79CN, ENVIRMT = INDOOR or OUTDOOR; LMRPACK=NA,PK_HK,PK_KCKS	LL, RS; UL, LS
	HAA402JA4	MOULDING, COMPY = 79CN, ENVIRMT = OUTDOOR; COMPY ≠ 79CN, ENVIRMT = INDOOR or OUTDOOR; LMRPACK=NA,PK_HK,PK_KCKS	LL, LS; UL, RS

**Link&XO-508
Entry Box Assembly**

**Spare Parts Leaflet
57-HE0807F**

ONLY FOR ANSI & ANSI_NY



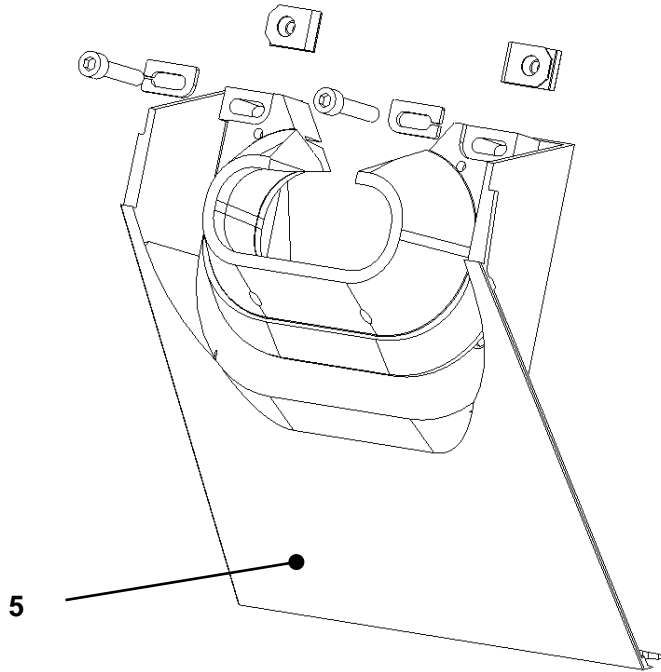
- UL = UPPER LANDING**
- LL = LOWER LANDING**
- RS = RIGHT SIDE**
- LS = LEFT SIDE**
- COMPY = Country or region codes**
- 79CN = China (China mainland)**
- ENVIRMT = Environment**
- LMRPACK= Local Market Requirement Package**
- PK_ANSI= ANSI Package**
- PK_ANSI_NY =ANSI New York Package**

HE0807F			
REF. No.	PART No.	DESCRIPTION	LOCATION
4	HAA402NW1	MOULDING, COMPY = ALL, ENVIRMT =ALL; LMRPACK= PK_ANSI,PK_ANSI_NY	LL, RS; UL, LS
	HAA402NW2	MOULDING, COMPY = ALL, ENVIRMT =ALL; LMRPACK= PK_ANSI,PK_ANSI_NY	LL, LS; UL, RS

Link&XO-508 Entry Box Assembly

**Spare Parts Leaflet
57-HE0807F**

ONLY FOR <>ANSI & <>ANSI_NY



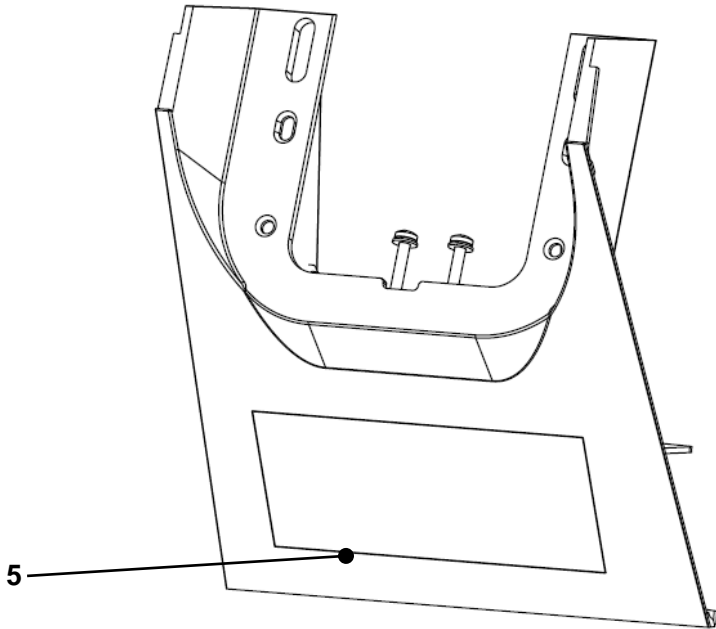
UL = UPPER LANDING
LL = LOWER LANDING
RS = RIGHT SIDE
LS = LEFT SIDE
PD = Passenger detection at landings
RAD = Radar detect function
PRD = Photoelectric and Radar detect function
LMRPACK= Local Market Requirement Package
PK_HK= HK Package
PK_KCKS= KCKS Package

REF. No.	PART No.	DESCRIPTION	LOCATION
5	HAA180DA1	RADAR ANGLE, PD = RAD or PRD LMRPACK=NA,PK_HK,PK_KCKS	LL, RS; UL, LS
	HAA180DA2	RADAR ANGLE, PD = RAD or PRD LMRPACK=NA,PK_HK,PK_KCKS	LL, LS; UL, RS
	HAA180J1	FRONT PLATE ASSEMBLY, PD ≠ RAD or PRD LMRPACK=NA,PK_HK,PK_KCKS	LL, RS; UL, LS
	HAA180J2	FRONT PLATE ASSEMBLY, PD ≠ RAD or PRD LMRPACK=NA,PK_HK,PK_KCKS	LL, LS; UL, RS

Link&XO-508 Entry Box Assembly

**Spare Parts Leaflet
57-HE0807F**

ONLY FOR ANSI & ANSI_NY



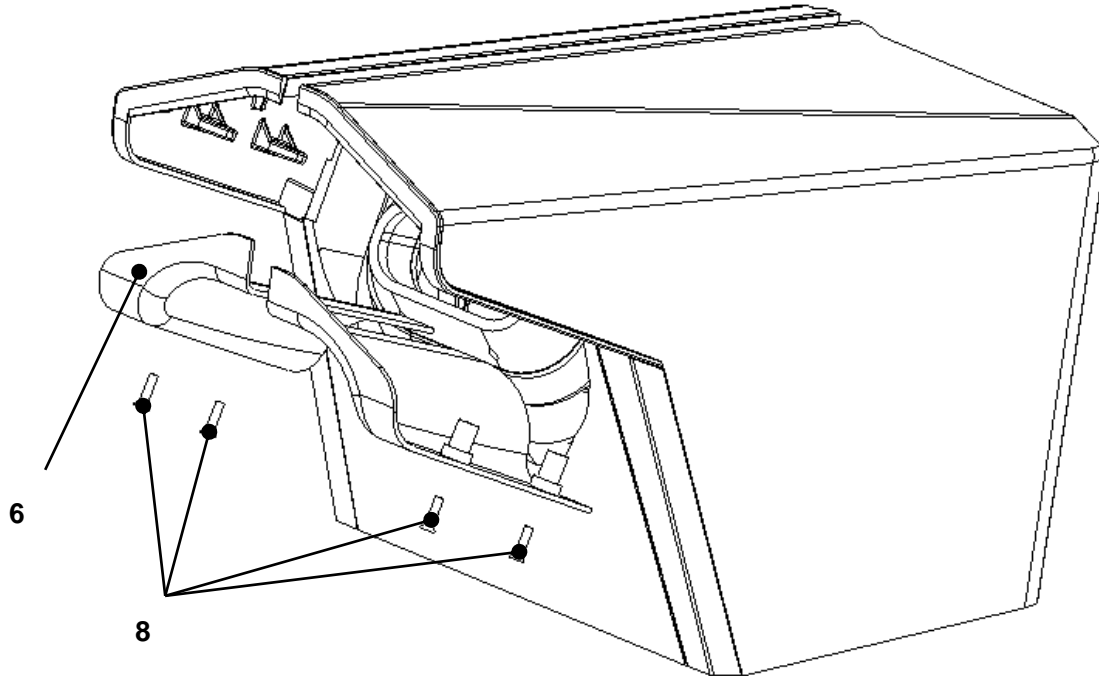
- UL = UPPER LANDING**
- LL = LOWER LANDING**
- RS = RIGHT SIDE**
- LS = LEFT SIDE**
- PD = Passenger detection at landings**
- RAD = Radar detect function**
- PRD = Photoelectric and Radar detect function**
- LMRPACK= Local Market Requirement Package**
- PK_ANSI= ANSI Package**
- PK_ANSI_NY =ANSI New York Package**

	HE0807F		
REF. No.	PART No.	DESCRIPTION	LOCATION
5	HAA180JQ1	RADAR ANGLE, PD = RAD or PRD LMRPACK= PK_ANSI,PK_ANSI_NY	LL, RS; UL, LS
	HAA180JQ2	RADAR ANGLE, PD = RAD or PRD LMRPACK= PK_ANSI,PK_ANSI_NY	LL, LS; UL, RS
	HAA180KD1	FRONT PLATE ASSEMBLY, PD ≠ RAD or PRD LMRPACK= PK_ANSI,PK_ANSI_NY	LL, RS; UL, LS
	HAA180KD2	FRONT PLATE ASSEMBLY, PD ≠ RAD or PRD LMRPACK= PK_ANSI,PK_ANSI_NY	LL, LS; UL, RS

Link&XO-508 Entry Box Assembly

**Spare Parts Leaflet
57-HE0807F**

ONLY FOR <>ANSI & <>ANSI_NY



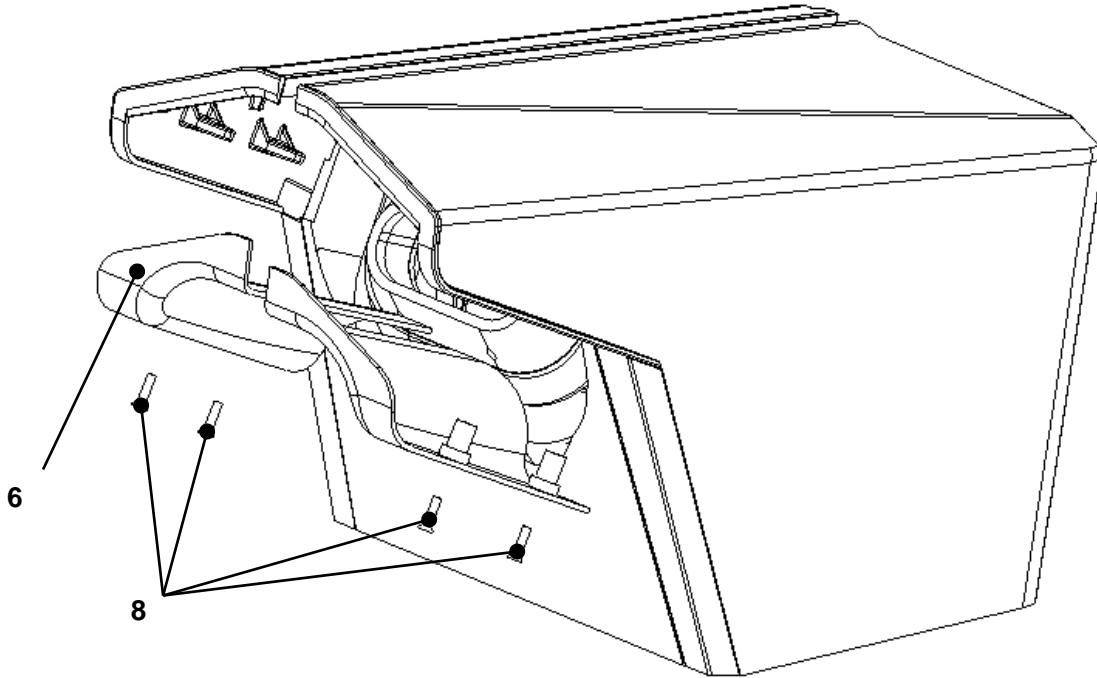
UL = UPPER LANDING
LL = LOWER LANDING
RS = RIGHT SIDE
LS = LEFT SIDE
ENVIRMT = Environment
LMRPACK= Local Market Requirement Package
PK_HK= HK Package
PK_KCKS= KCKS Package
HANDHEAT= Handrail heating

HE0807F			
REF. No.	PART No.	DESCRIPTION	LOCATION
6	HAA384MV1	DEFLECTOR INSIDE, LMRPACK=NA,PK_HK,PK_KCKS, HANDHEAT=ALL;	UL, LS
	HAA384MV2	DEFLECTOR INSIDE,	LL, LS; UL, RS
	HAA384MV1	DEFLECTOR INSIDE,	LL, RS
8	ISO7046M4X16H-4.8Z	CROSS HEAD SCREW, ENVIRMT = INDOOR	LL, RS; UL, LS;
	ISO7046M4X16H-A4-70	CROSS HEAD SCREW, ENVIRMT = OUTDOOR	LL, LS; UL, RS

Link&XO-508 Entry Box Assembly

**Spare Parts Leaflet
57-HE0807F**

ONLY FOR ANSI & ANSI_NY



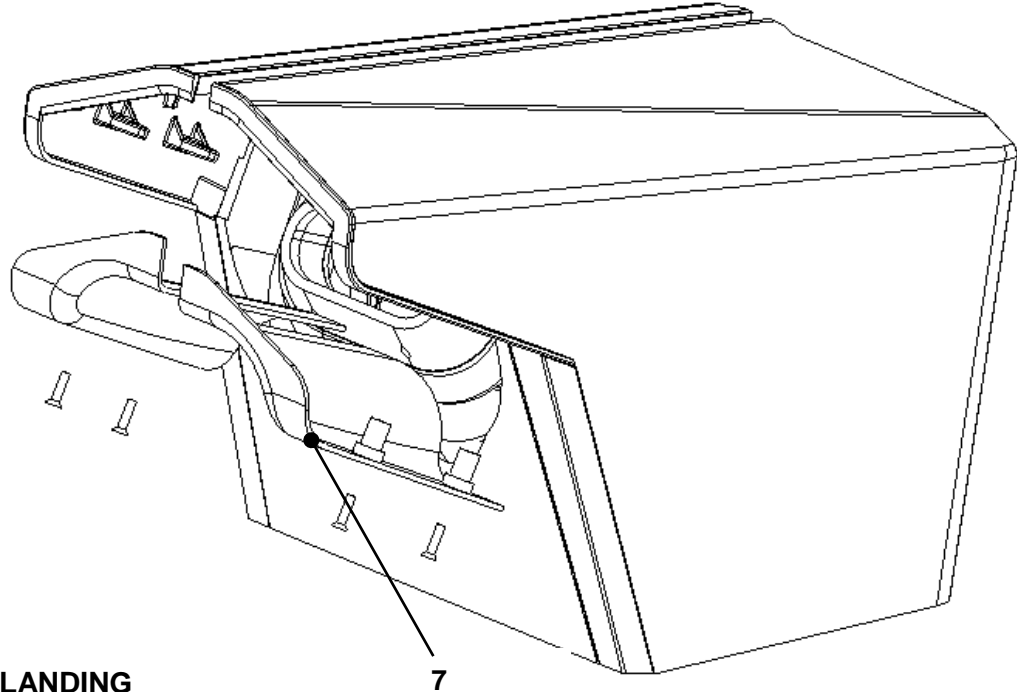
UL = UPPER LANDING
LL = LOWER LANDING
RS = RIGHT SIDE
LS = LEFT SIDE
ENVIRMT = Environment
LMRPACK= Local Market Requirement Package
PK_ANSI= ANSI Package
PK_ANSI_NY =ANSI New York Package
HANDHEAT= Handrail heating

HE0807F			
REF. No.	PART No.	DESCRIPTION	LOCATION
6	HAA384MV1	DEFLECTOR INSIDE, LMRPACK= PK_ANSI,PK_ANSI_NY, HANDHEAT=NO	UL, LS
	HAA384MV3	DEFLECTOR INSIDE, LMRPACK= PK_ANSI,PK_ANSI_NY, HANDHEAT=YES	UL, LS
	HAA384MV2	DEFLECTOR INSIDE,	LL, LS; UL, RS
	HAA384MV1	DEFLECTOR INSIDE,	LL, RS
8	ISO7046M4X16H-4.8Z	CROSS HEAD SCREW, ENVIRMT = INDOOR	LL, RS; UL, LS;
	ISO7046M4X16H-A4-70	CROSS HEAD SCREW, ENVIRMT = OUTDOOR	LL, LS; UL, RS

Link&XO-508 Entry Box Assembly

**Spare Parts Leaflet
57-HE0807F**

ONLY FOR <>ANSI & <>ANSI_NY



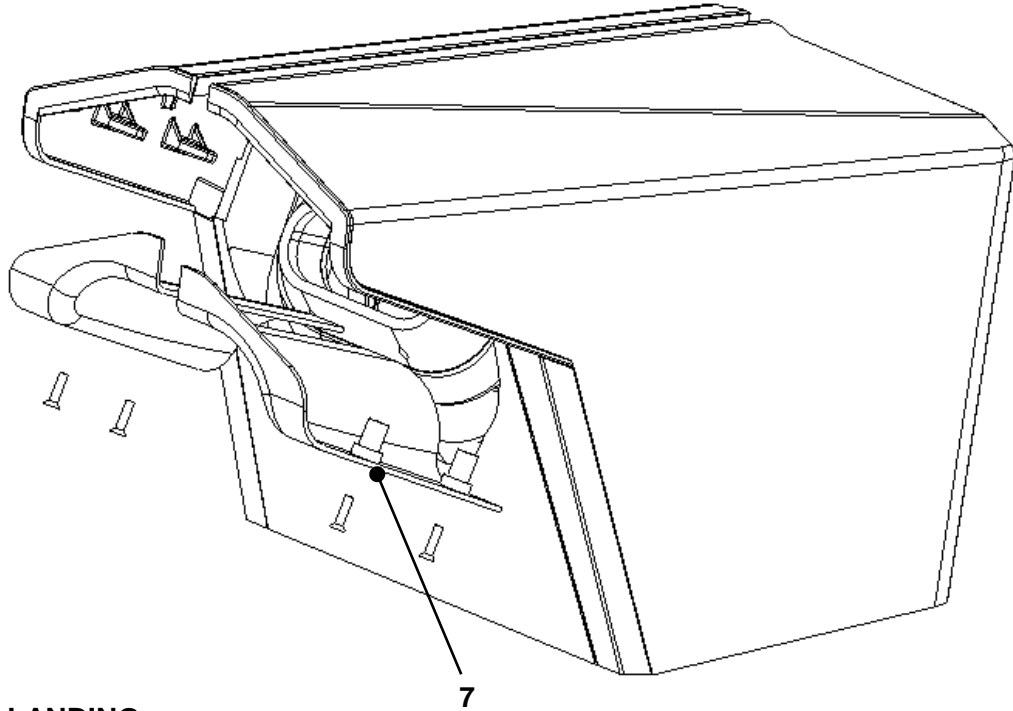
- UL = UPPER LANDING**
- LL = LOWER LANDING**
- RS = RIGHT SIDE**
- LS = LEFT SIDE**
- ENVIRMT = Environment**
- LMRPACK= Local Market Requirement Package**
- PK_HK= HK Package**
- PK_KCKS= KCKS Package**
- HANDHEAT= Handrail heating**

HE0807F			
REF. No.	PART No.	DESCRIPTION	LOCATION
7	HAA384MT1	DEFECTOR OUTSIDE, LMRPACK=NA,PK_HK,PK_KCKS, HANDHEAT=NO	UL, LS
	HAA384MT3	DEFECTOR OUTSIDE, LMRPACK=NA,PK_HK,PK_KCKS, HANDHEAT=YES;	
	HAA384MT2	DEFECTOR OUTSIDE, LMRPACK=ALL, HANDHEAT=NO;	UL, RS
	HAA384MT4	DEFECTOR OUTSIDE, LMRPACK=ALL, HANDHEAT=YES;	
	HAA384MT2	DEFECTOR OUTSIDE	LL, LS
	HAA384MT1	DEFECTOR OUTSIDE, LMRPACK=NA,PK_HK,PK_KCKS, HANDHEAT=ALL;	LL, RS

Link&XO-508 Entry Box Assembly

**Spare Parts Leaflet
57-HE0807F**

ONLY FOR ANSI & ANSI_NY

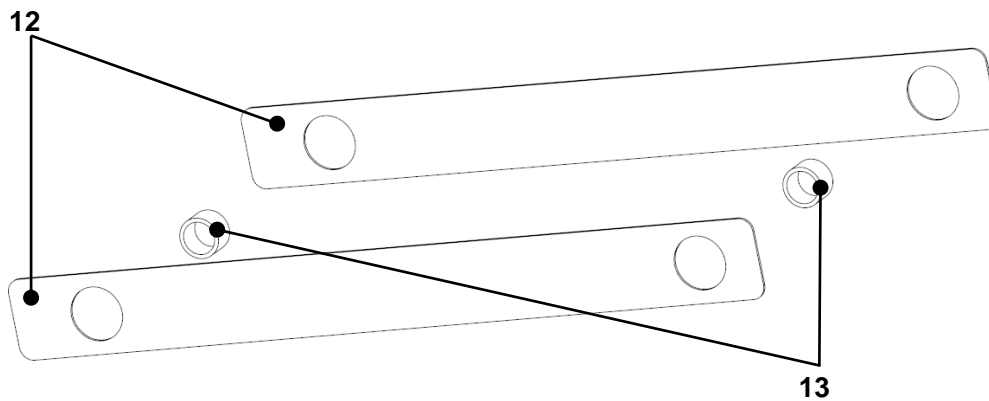
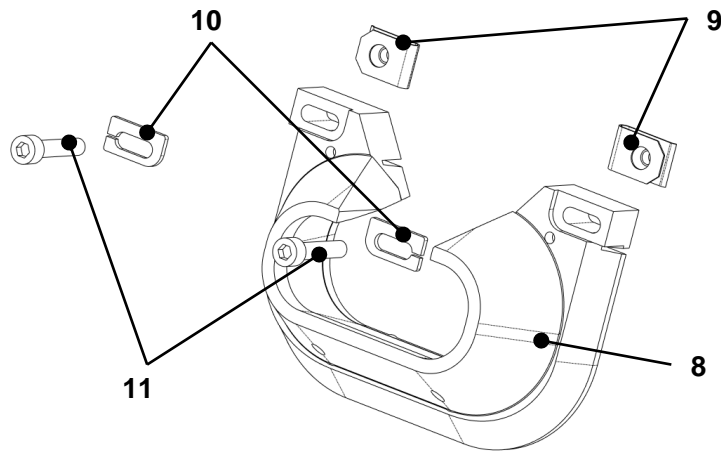


UL = UPPER LANDING
LL = LOWER LANDING
RS = RIGHT SIDE
LS = LEFT SIDE
ENVIRMT = Environment
LMRPACK= Local Market Requirement Package
PK_ANSI= ANSI Package
PK_ANSI_NY =ANSI New York Package
HANDHEAT= Handrail heating

	HE0807F		
REF. No.	PART No.	DESCRIPTION	LOCATION
	HAA384MT3	DEFECTOR OUTSIDE, LMRPACK= PK_ANSI,PK_ANSI_NY, HANDHEAT=ALL	
	HAA384MT2	DEFECTOR OUTSIDE, LMRPACK=ALL, HANDHEAT=NO;	UL, RS
	HAA384MT4	DEFECTOR OUTSIDE, LMRPACK=ALL, HANDHEAT=YES;	
	HAA384MT2	DEFECTOR OUTSIDE	LL, LS
	HAA384MT3	DEFECTOR OUTSIDE, LMRPACK= PK_ANSI,PK_ANSI_NY, HANDHEAT=ALL	

Link&XO-508 Entry Box Assembly

Spare Parts Leaflet
57-HE0807F



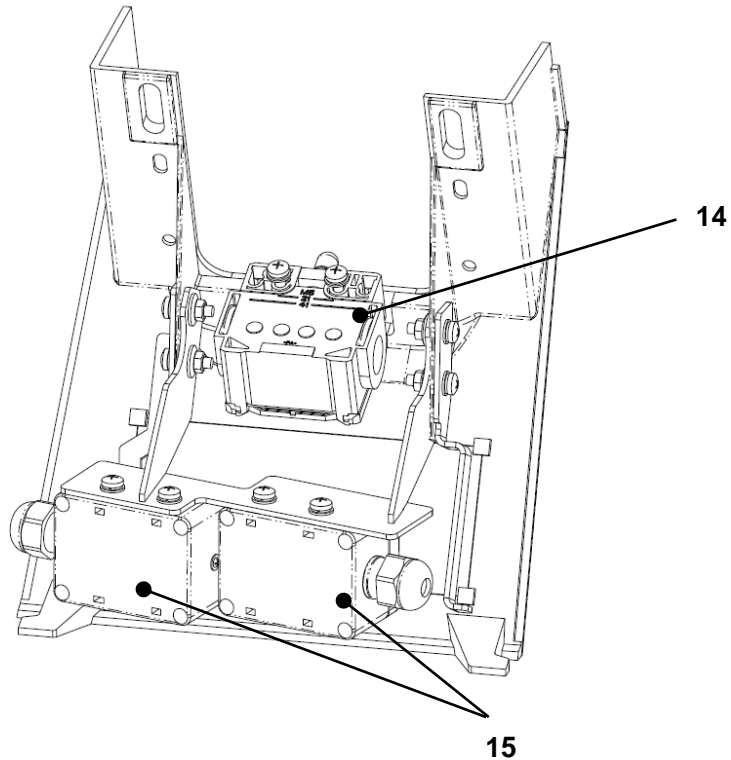
UL = UPPER LANDING
LL = LOWER LANDING
RS = RIGHT SIDE
LS = LEFT SIDE
ENVIRMT = Environment

REF. No.	PART No.	DESCRIPTION	LOCATION
8	XAA384KP1	HANDRAIL GUIDE INSERT	LL, RS; UL, LS; LL, LS; UL, RS
9	GAA72BW1	NUT	
10	GAA255MH1	SHIM	
11	ISO4762/M6X30	HEXAGON BOLTS, ENVIRMT = INDOOR	
	ISO4762/M6X30-da	HEXAGON BOLTS, ENVIRMT = OUTDOOR	
12	HAA256AD1	SHIM	
13	XAA137A1	TUBE, NON-METALIC	

Link&XO-508 Entry Box Assembly

**Spare Parts Leaflet
57-HE0807F**

ONLY FOR ANSI & ANSI_NY



**UL = UPPER LANDING
LL = LOWER LANDING
RS = RIGHT SIDE
LS = LEFT SIDE**

HE0807F			
REF. No.	PART No.	DESCRIPTION	LOCATION
14	GCA177GF1	S21/S22/S23/S24 HANDRAIL ENTRY CONTACT	
15	DAA629BG18	B34 UPPER, LEFT	LL, RS; UL, LS; LL, LS; UL, RS
	DAA629BG19	B34.1 UPPER, RIGHT	
	DAA629BG20	B34.2 UPPER, LEFT	
	DAA629BG21	B34.3 UPPER, RIGHT	
	DAA629BG23	B34.4 LOWER, LEFT	
	DAA629BG24	B34.5 LOWER, RIGHT	
	DAA629BG25	B34.6 LOWER, LEFT	
	DAA629BG26	B34.7 LOWER, RIGHT	