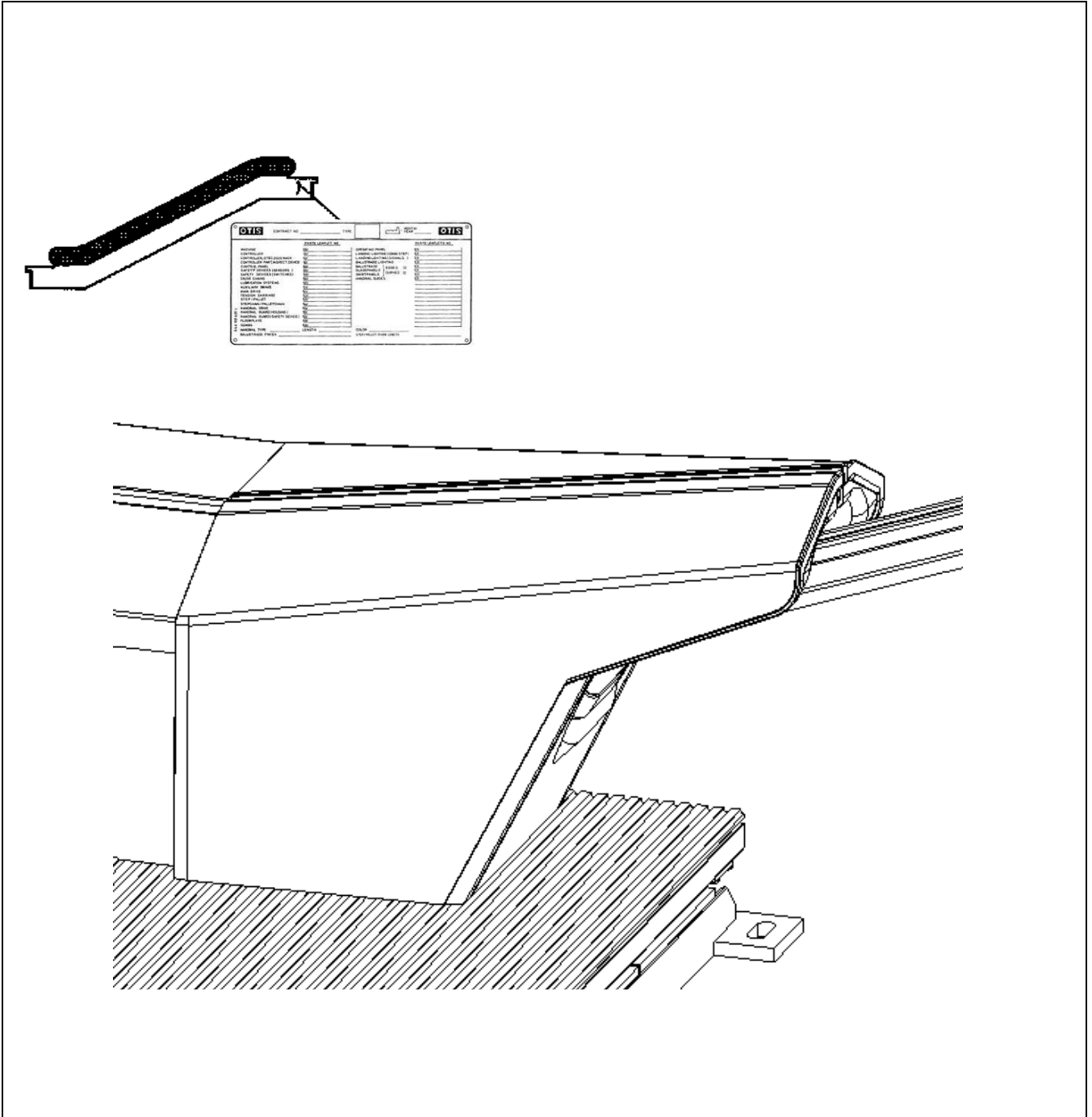


**Link & XO-508
Stainless Steel Entry Box
Assembly**

**Spare Parts Leaflet
57-HE0807G**

Dec. 12th, 2019 / Page 1 of 19



Unpublished Work—
© Otis Elevator Co.



This document does not contain any technical information subject to EAR or ITAR

**ESCALATOR ENGINEERING
Otis Elevator Company
OTIS ENGINEERING CHINA
ESCALATOR**

57-HE0807G

History

Leaflet Description

Link & XO-508 Entry Box Assembly

Leaflet Revisions

Date Revised	Subject Matter Expert	Reason for Revision
December 12, 2019	Zhang, Di	New SPL (CN NO.: CNT2001404)
August 16, 2021	Nandu Tong	ADDED NEW PART HAA180DA5,6, ISO4762/M6X30-D (CNT2100842)
November 15, 2021	Nandu Tong & Pengpeng Xu	ADD LINK-ANSI RADAR/CABLE & INSTALLING BRACKET(CNT2101094)
Dec 1 st , 2022	Xia Jing	UPDATE LMRPACK INTO COMPY & SPL FOR 51HK.(CNT2201093)
January 31, 2023	Mengwei Zhang	ADD PLASTIC GUARD OF TRCAT 1500. (CNT2300061)
February 9, 2023	Song Jie	Regenerate & modify title & total page NO. Modify part NO. of profiles for HR. (CN NO: CNT2300186)

Related Drawings

Drawing No.	Title	Drawing No.	Title
HE0807G	ENTRY BOX ASSEMBLY	XAA384KP	HANDRAIL GUIDE INSERT
HAA396AH	INNER SHELL ASSEMBLY	GAA255MH	SHIM
HAA396AK	OUTER SHELL ASSEMBLY	GAA72BW	NUT
HAA396AR	OUTER SHELL ASSEMBLY	XAA137A	TUBE, NON-METALIC
HAA316EJF	ENTRYBOX BRACKET ASSEMBLY	HAA384NA	PLASTIC GUARD INSIDE
HAA316ESZ	ENTRYBOX BRACKET ASSEMBLY	HAA384NC	PLASTIC GUARD OUTSIDE
HAA180DA	FRONT PLATE ASSEMBLY	HAA402MT	MOULDING
HAA180JQ	FRONT PLATE ASSEMBLY	HAA402MS	MOULDING
HAA180J	FRONT PLATE ASSEMBLY	HAA402ACW	MOULDING
HAA180KD	FRONT PLATE ASSEMBLY		

Related Documents

Document ID	Title
ODS HE0807G	HANDRAIL ENTRY
EBOM HAA396AH	INNER SHELL ASSEMBLY
EBOM HAA396AK	OUTER SHELL ASSEMBLY
EBOM HAA396AR	OUTER SHELL ASSEMBLY
EBOM HAA316EJF	ENTRYBOX BRACKET ASSEMBLY
EBOM HAA316ESZ	ENTRYBOX BRACKET ASSEMBLY
EBOM HAA180DA	FRONT PLATE ASSEMBLY
EBOM HAA180J	FRONT PLATE ASSEMBLY
EBOM HAA180JQ	FRONT PLATE ASSEMBLY
EBOM HAA180KD	FRONT PLATE ASSEMBLY

Subject Matter Expert

Name	Department
Zhang, Di	SIT-HANGZHOU

About Spare Parts Leaflets...

This document lists the lowest replaceable units (LRUs) for the standard version of the product. The LRUs are chosen by a team of Otis associates representing engineering and manufacturing.

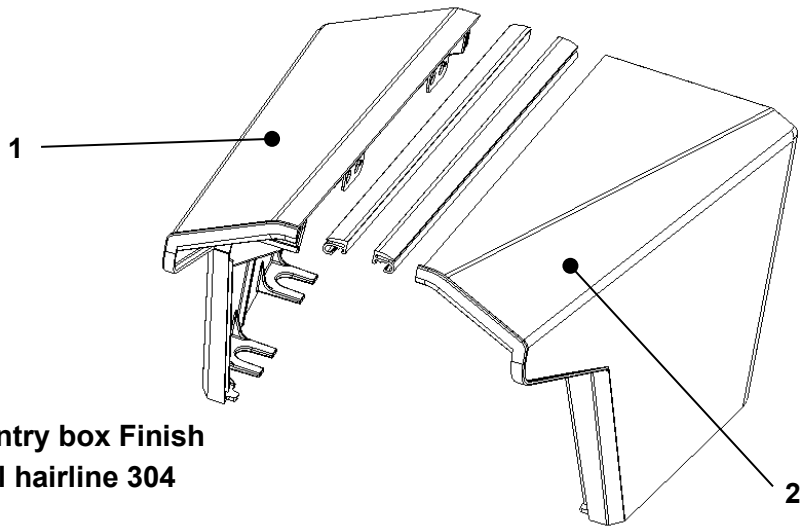
While goal of this document is to make parts identification as easy as possible, the document cannot be all-inclusive. Elevator and escalator contracts classified as "special" or "custom" are not addressed here. For such contracts, please refer to specified information, the contract folder, TIPs, Field Education Articles, Construction Letters, etc. for further information.

If you have any suggestions about this document, please switch the subject matter expert listed on this page.

Link & XO-508 Entry Box Assembly

57-HE0807G

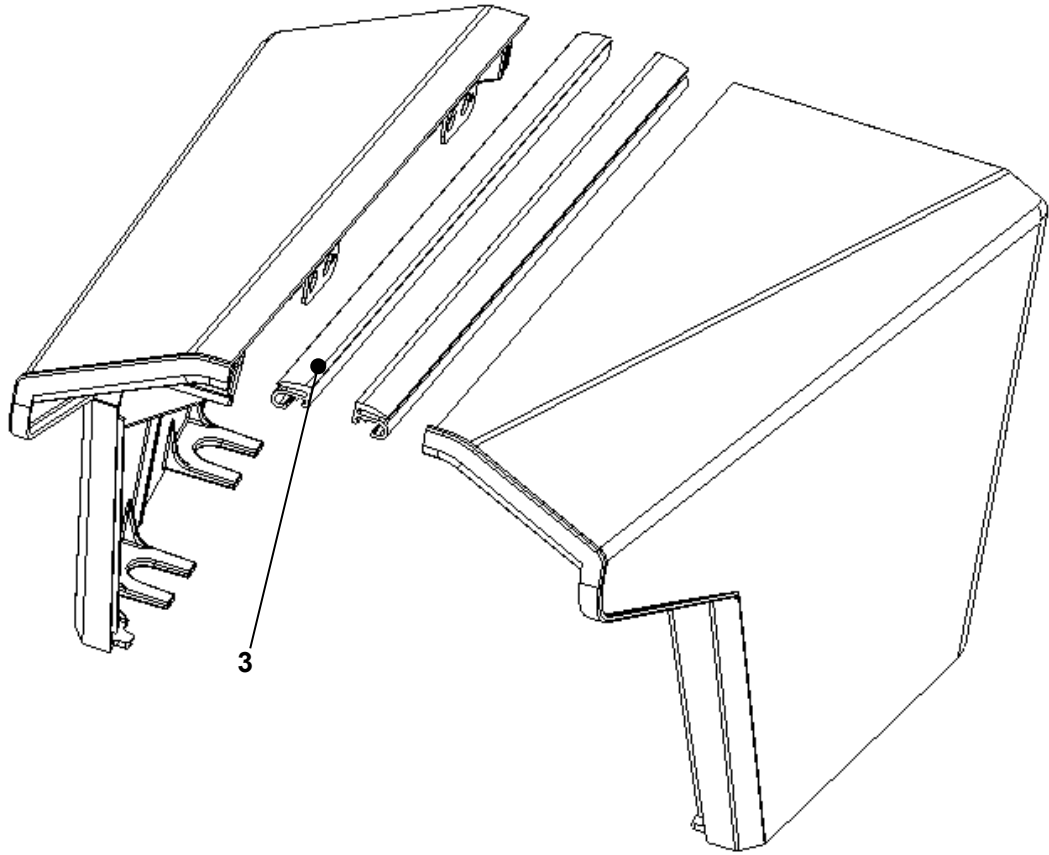
UL = UPPER LANDING
LL = LOWER LANDING
RS = RIGHT SIDE
LS = LEFT SIDE
ENTRYBOXsec = Handrail entry box Finish
STSHL_304 = Stainless steel hairline 304



REF. No.	PART No.	DESCRIPTION	LOCATION	REMARK
	HE0807G			
1	HAA396AH1	INNER SHELL ASSEMBLY, ENTRYBOXsec = STSHL_304	LL, RS; UL, LS	
	HAA396AH2	INNER SHELL ASSEMBLY, ENTRYBOXsec = STSHL_304	LL, LS; UL, RS	
	HAA396AH3	INNER SHELL ASSEMBLY, ENTRYBOXsec = STSHL_316	LL, RS; UL, LS	
	HAA396AH4	INNER SHELL ASSEMBLY, ENTRYBOXsec = STSHL_316	LL, LS; UL, RS	
	HAA396AH5	INNER SHELL ASSEMBLY, ENTRYBOXsec = STSHL_445	LL, RS; UL, LS	ONLY FOR COMPY<>(18CA,10US)
	HAA396AH6	INNER SHELL ASSEMBLY, ENTRYBOXsec = STSHL_445	LL, LS; UL, RS	ONLY FOR COMPY<>(18CA,10US)
2	HAA396AK1	OUTER SHELL ASSEMBLY, ENTRYBOXsec = STSHL_304	LL, RS; UL, LS	
	HAA396AK2	OUTER SHELL ASSEMBLY, ENTRYBOXsec = STSHL_304	LL, LS; UL, RS	
	HAA396AK3	OUTER SHELL ASSEMBLY, ENTRYBOXsec = STSHL_316	LL, RS; UL, LS	
	HAA396AK4	OUTER SHELL ASSEMBLY, ENTRYBOXsec = STSHL_316	LL, LS; UL, RS	
	HAA396AK5	OUTER SHELL ASSEMBLY, ENTRYBOXsec = STSHL_445	LL, RS; UL, LS	ONLY FOR COMPY<>(18CA,10US)
	HAA396AK6	OUTER SHELL ASSEMBLY, ENTRYBOXsec = STSHL_445	LL, LS; UL, RS	ONLY FOR COMPY<>(18CA,10US)

**Link & XO-508
Entry Box Assembly**

57-HE0807G



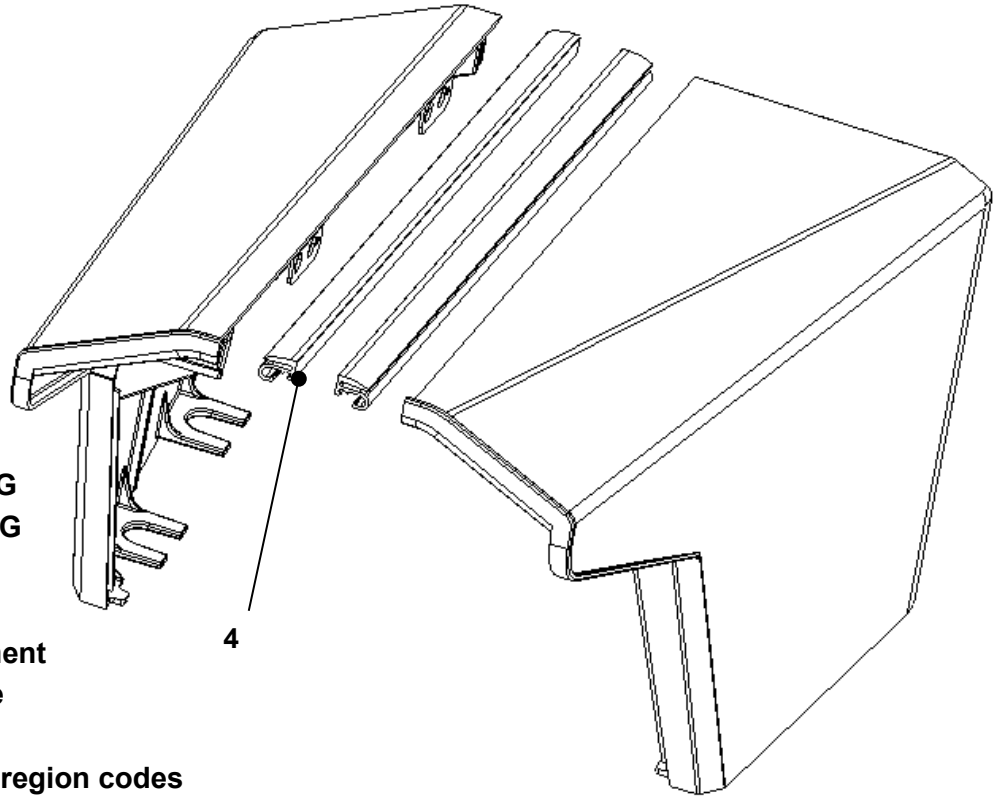
**UL = UPPER LANDING
LL = LOWER LANDING
RS = RIGHT SIDE
LS = LEFT SIDE
ENVIRMT = Environment
DELIV =Delivery Type
TRUCK= Per truck**

REF. No.	PART No.	DESCRIPTION	REF. No.
	HE0807G		
3	HAA402MT1	MOULDING, ENVIRMT = OUTDOOR, DELIV=ALL ENVIRMT = INDOOR, DELIV= <>TRUCK	LL, RS; UL, LS
	HAA402MS1	MOULDING, ENVIRMT = INDOOR, DELIV= TRUCK	LL, RS; UL, LS
	HAA402MT3	MOULDING, ENVIRMT = OUTDOOR, DELIV=ALL ENVIRMT = INDOOR, DELIV= <>TRUCK	LL, LS; UL, RS
	HAA402MS3	MOULDING, ENVIRMT = INDOOR, DELIV= TRUCK	LL, LS; UL, RS

**Link & XO-508
Entry Box Assembly**

57-HE0807G

ONLY FOR COMPY<>(18CA,10US)



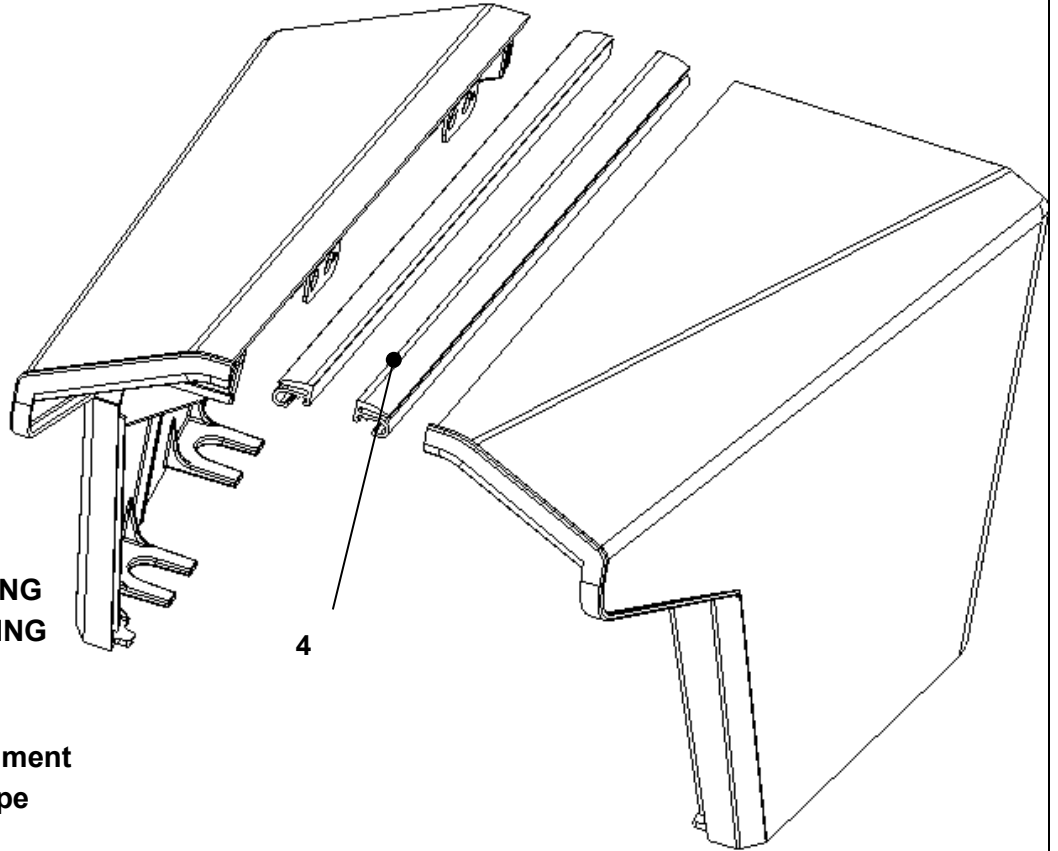
UL = UPPER LANDING
LL = LOWER LANDING
RS = RIGHT SIDE
LS = LEFT SIDE
ENVIRMT = Environment
DELIV =Delivery Type
TRUCK= Per truck
COMPY = Country or region codes
18CA= Canada
10US= United States
HANDHEAT= Handrail heating

REF. No.	PART No.	DESCRIPTION	REF. No.
4	HAA402MT2	MOULDING, ENVIRMT = OUTDOOR, DELIV=ALL, COMPY<>(18CA,10US), HANDHEAT=NO ENVIRMT = INDOOR, DELIV= <>TRUCK, COMPY<>(18CA,10US), HANDHEAT=NO	LL, RS; UL, LS
	HAA402MT3	MOULDING, ENVIRMT = OUTDOOR, DELIV=ALL, COMPY<>(18CA,10US), HANDHEAT=YES ENVIRMT = INDOOR, DELIV= <>TRUCK, COMPY<>(18CA,10US), HANDHEAT=YES	LL, RS; UL, LS
	HAA402MS2	MOULDING, ENVIRMT = INDOOR, DELIV= TRUCK, COMPY<>(18CA,10US), HANDHEAT=NO	LL, RS; UL, LS
	HAA402MS3	MOULDING, ENVIRMT = INDOOR, DELIV= TRUCK, COMPY<>(18CA,10US), HANDHEAT=YES	LL, RS; UL, LS

Link & XO-508 Entry Box Assembly

57-HE0807G

ONLY FOR COMPY<>(18CA,10US)



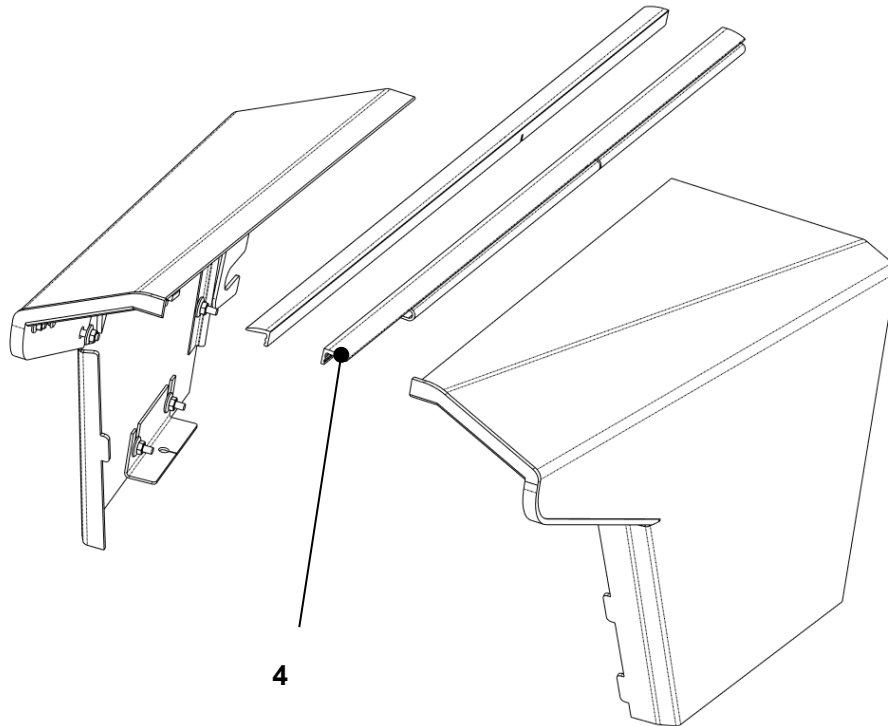
UL = UPPER LANDING
LL = LOWER LANDING
RS = RIGHT SIDE
LS = LEFT SIDE
ENVIRMT = Environment
DELIV =Delivery Type
TRUCK= Per truck
COMPY = Country or region codes
18CA= Canada
10US= United States
HANDHEAT= Handrail heating

REF. No.	PART No.	DESCRIPTION	LOCATION
	HE0807G		
4	HAA402MT4	MOULDING, ENVIRMT = OUTDOOR, DELIV=ALL, COMPY<>(18CA,10US), HANDHEAT=NO ENVIRMT = INDOOR, DELIV= <>TRUCK, COMPY<>(18CA,10US), HANDHEAT=NO	LL, LS; UL, RS
	HAA402MT1	MOULDING, ENVIRMT = OUTDOOR, DELIV=ALL, COMPY<>(18CA,10US), HANDHEAT=YES ENVIRMT = INDOOR, DELIV= <>TRUCK, L COMPY<>(18CA,10US), HANDHEAT=YES	LL, LS; UL, RS
	HAA402MS4	MOULDING, ENVIRMT = INDOOR, DELIV= TRUCK, COMPY<>(18CA,10US), HANDHEAT=NO	LL, LS; UL, RS
	HAA402MS1	MOULDING, ENVIRMT = INDOOR, DELIV= TRUCK, L COMPY<>(18CA,10US), HANDHEAT=YES	LL, LS; UL, RS

Link & XO-508 Entry Box Assembly

57-HE0807G

ONLY FOR COMPY=18CA,10US



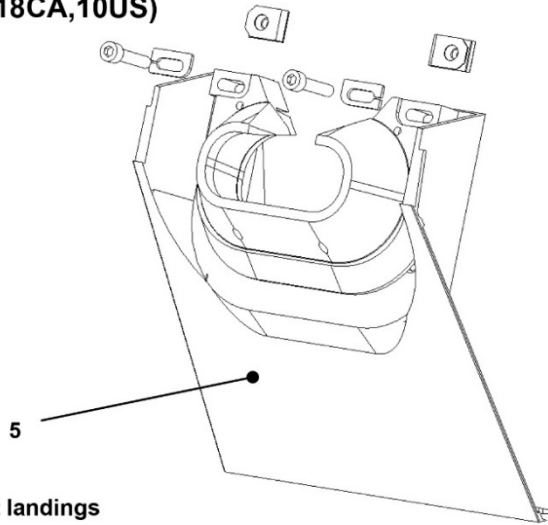
UL = UPPER LANDING
LL = LOWER LANDING
RS = RIGHT SIDE
LS = LEFT SIDE
ENVIRMT = Environment
DELIV =Delivery Type
TRUCK= Per truck
COMPY = Country or region codes
18CA= Canada
10US= United States
HANDHEAT= Handrail heating

REF. No.	PART No.	DESCRIPTION	LOCATION
	HE0807G		
4	HAA402ACW2	MOULDING, COMPY= (18CA,10US)	LL, RS; UL, LS
	HAA402ACW1	MOULDING, COMPY= (18CA,10US)	LL, LS; UL, RS

Link & XO-508 Entry Box Assembly

57-HE0807G

ONLY FOR COMPY<>(18CA,10US)



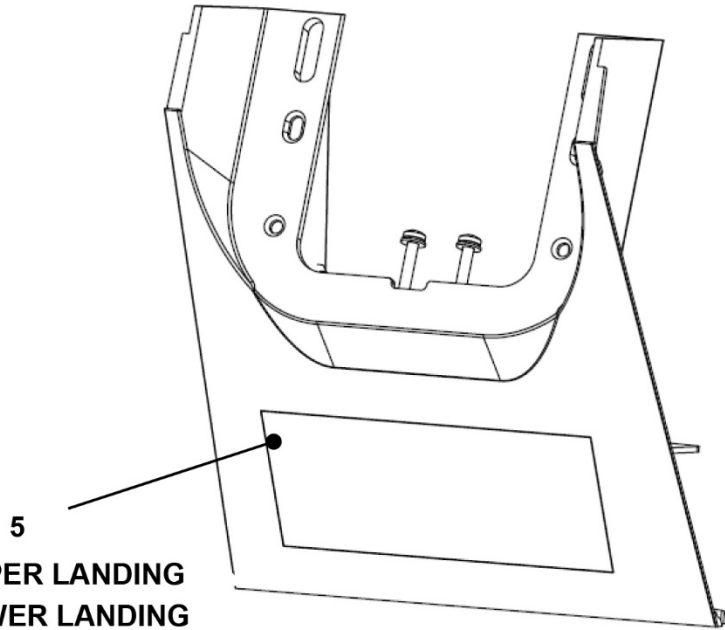
UL = UPPER LANDING
LL = LOWER LANDING
RS = RIGHT SIDE
LS = LEFT SIDE
PD = Passenger detection at landings
RAD = Radar detect function
PRD = Photoelectric and Radar detect function
COMPY = Country or region codes
18CA= Canada
10US= United States
51HK= Hong Kong
TRUSSFF=Truss safety factor

REF. No.	PART No.	DESCRIPTION	LOCATION
	HE0807G		
5	HAA180DA1	RADAR ANGLE, PD = RAD or PRD COMPY<>(18CA,10US,51HK)	LL, RS; UL, LS
	HAA180DA2	RADAR ANGLE, PD = RAD or PRD COMPY<>(18CA,10US,51HK)	LL, LS; UL, RS
	HAA180DA1	RADAR ANGLE, PD = RAD or PRD COMPY=51HK, TRUSSFF=NA	LL, RS; UL, LS
	HAA180DA2	RADAR ANGLE, PD = RAD or PRD COMPY=51HK, TRUSSFF=NA	LL, LS; UL, RS
	HAA180DA5	RADAR ANGLE, PD = RAD or PRD COMPY=51HK, TRUSSFF=5	LL, RS; UL, LS
	HAA180DA6	RADAR ANGLE, PD = RAD or PRD COMPY=51HK, TRUSSFF=5	LL, LS; UL, RS
	HAA180J1	FRONT PLATE ASSEMBLY, PD ≠ RAD or PRD COMPY<>(18CA,10US,51HK)	LL, RS; UL, LS
	HAA180J2	FRONT PLATE ASSEMBLY, PD ≠ RAD or PRD COMPY<>(18CA,10US,51HK)	LL, LS; UL, RS
	HAA180J1	FRONT PLATE ASSEMBLY, PD ≠ RAD or PRD COMPY=51HK, TRUSSFF=NA	LL, RS; UL, LS
	HAA180J2	FRONT PLATE ASSEMBLY, PD ≠ RAD or PRD COMPY=51HK, TRUSSFF=NA	LL, LS; UL, RS
	HAA180J5	FRONT PLATE ASSEMBLY, PD ≠ RAD or PRD COMPY=51HK, TRUSSFF=5	LL, RS; UL, LS
	HAA180J6	FRONT PLATE ASSEMBLY, PD ≠ RAD or PRD COMPY=51HK, TRUSSFF=5	LL, LS; UL, RS

Link & XO-508 Entry Box Assembly

57-HE0807G

ONLY FOR COMPY=18CA,10US



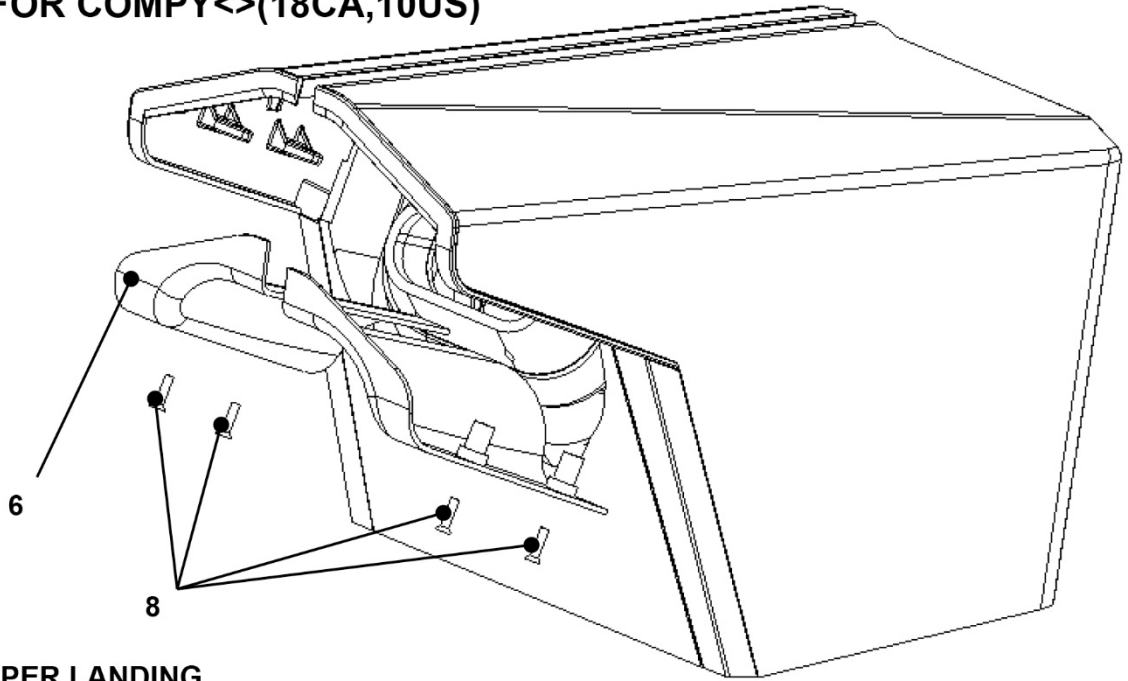
UL = UPPER LANDING
LL = LOWER LANDING
RS = RIGHT SIDE
LS = LEFT SIDE
PD = Passenger detection at landings
RAD = Radar detect function
PRD = Photoelectric and Radar detect function
COMPY = Country or region codes
18CA= Canada
10US= United States

REF. No.	PART No.	DESCRIPTION	LOCATION
	HE0807G		
5	HAA180JQ1	RADAR ANGLE, PD = RAD or PRD COMPY= (18CA,10US)	LL, RS; UL, LS (For BEA)
	HAA180JQ2	RADAR ANGLE, PD = RAD or PRD COMPY= (18CA,10US)	LL, LS; UL, RS (For BEA)
	HAA180JQ5	RADAR ANGLE, PD = RAD or PRD COMPY= (18CA,10US)	LL, RS; UL, LS (For Telco)
	HAA180JQ6	RADAR ANGLE, PD = RAD or PRD COMPY= (18CA,10US)	LL, LS; UL, RS (For Telco)
	HAA180KD1	FRONT PLATE ASSEMBLY, PD ≠ RAD or PRD COMPY= (18CA,10US)	LL, RS; UL, LS
	HAA180KD2	FRONT PLATE ASSEMBLY, PD ≠ RAD or PRD COMPY= (18CA,10US)	LL, LS; UL, RS

Link & XO-508 Entry Box Assembly

57-HE0807G

ONLY FOR COMPY<>(18CA,10US)



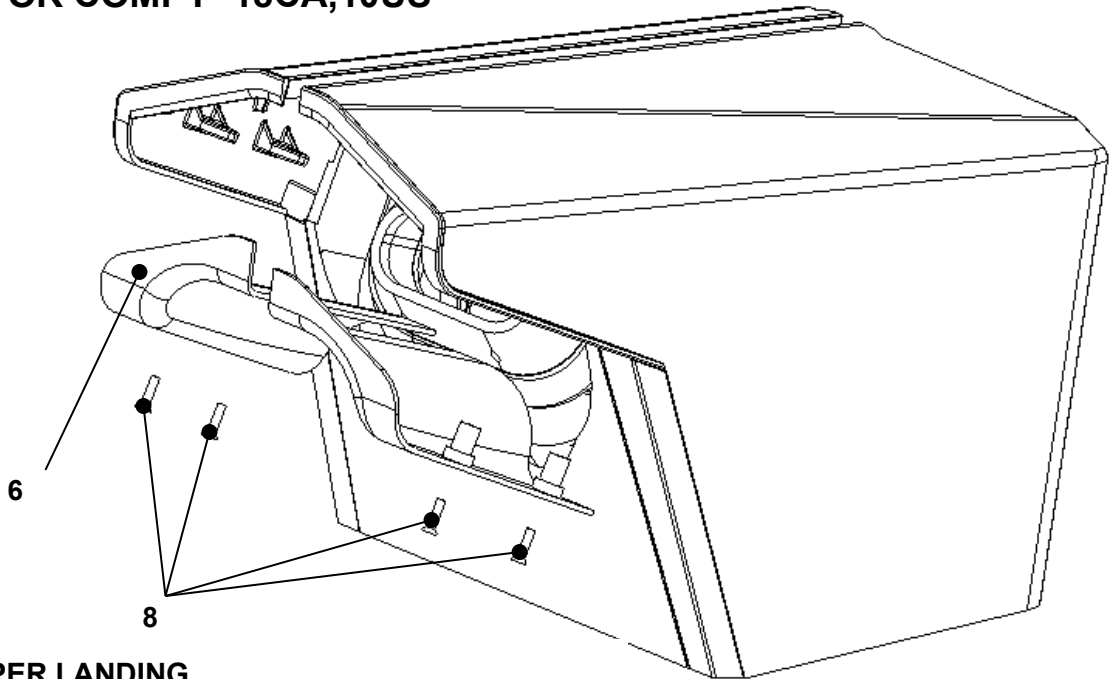
UL = UPPER LANDING
LL = LOWER LANDING
RS = RIGHT SIDE
LS = LEFT SIDE
ENVIRMT = Environment
COMPY = Country or region codes
18CA= Canada
10US= United States
HANDHEAT= Handrail heating
TRCAT=Upper landing track radius

HE0807G				
REF. No.	PART No.	TRCAT	DESCRIPTION	LOCATION
6	HAA384NA1	1000	PLASTIC GUARD INSIDE	UL, RS
	HAA384NA1	1000	PLASTIC GUARD INSIDE, COMPY<>(18CA,10US), HANDHEAT=ALL	UL, LS
	HAA384NA2	1000	PLASTIC GUARD INSIDE	LL, LS; UL, RS
8	ISO7046M4X16H-4.8Z	ALL	CROSS HEAD SCREW, ENVIRMT = INDOOR	LL, RS; UL, LS
	ISO7046M4X16H-A4-70	ALL	CROSS HEAD SCREW, ENVIRMT = OUTDOOR	LL, LS; UL, RS

Link & XO-508 Entry Box Assembly

57-HE0807G

ONLY FOR COMPY=18CA,10US



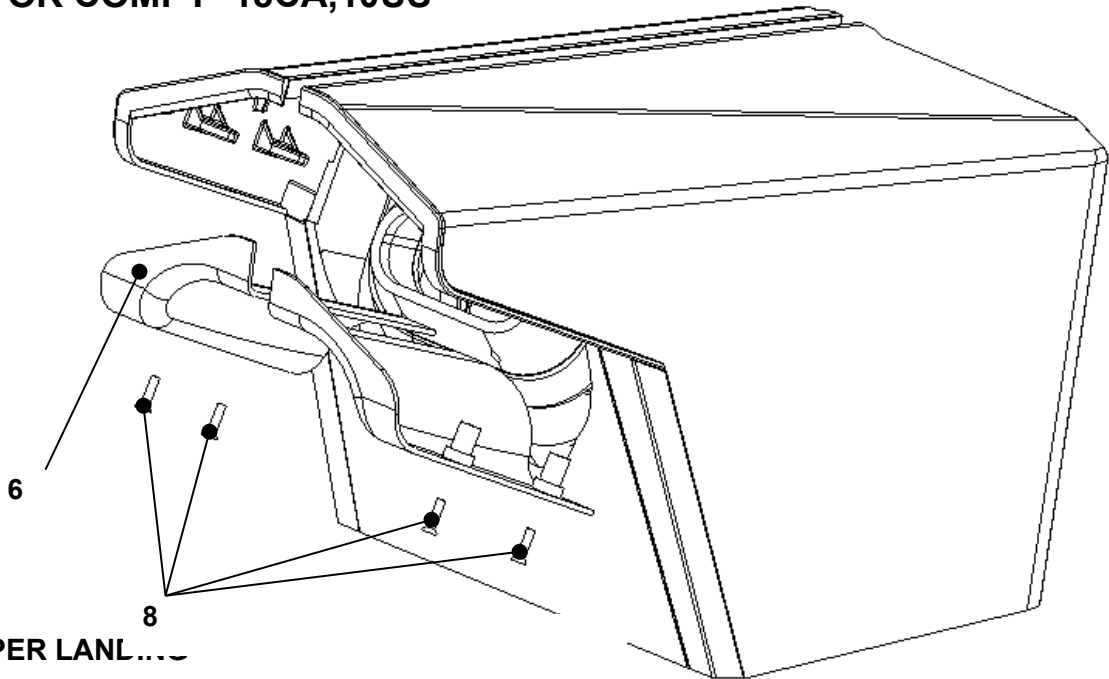
UL = UPPER LANDING
LL = LOWER LANDING
RS = RIGHT SIDE
LS = LEFT SIDE
ENVIRMT = Environment
COMPY = Country or region codes
18CA= Canada
10US= United States
HANDHEAT= Handrail heating
TRCAT=Upper landing track radius

HE0807G				
REF. No.	PART No.	TRCAT	DESCRIPTION	LOCATION
6	HAA384NA1	1000	PLASTIC GUARD INSIDE	UL, RS
	HAA384NA1	1000	PLASTIC GUARD INSIDE, COMPY= (18CA,10US), HANDHEAT=NO;	UL, LS
	HAA384NA3	1000	PLASTIC GUARD INSIDE, COMPY= (18CA,10US), HANDHEAT=YES;	UL, LS
	HAA384NA2	1000	PLASTIC GUARD INSIDE	LL, LS; UL, RS
8	ISO7046M4X16H-4.8Z	ALL	CROSS HEAD SCREW, ENVIRMT = INDOOR	LL, RS; UL, LS LL, LS; UL, RS

Link & XO-508 Entry Box Assembly

57-HE0807G

ONLY FOR COMPY=18CA,10US



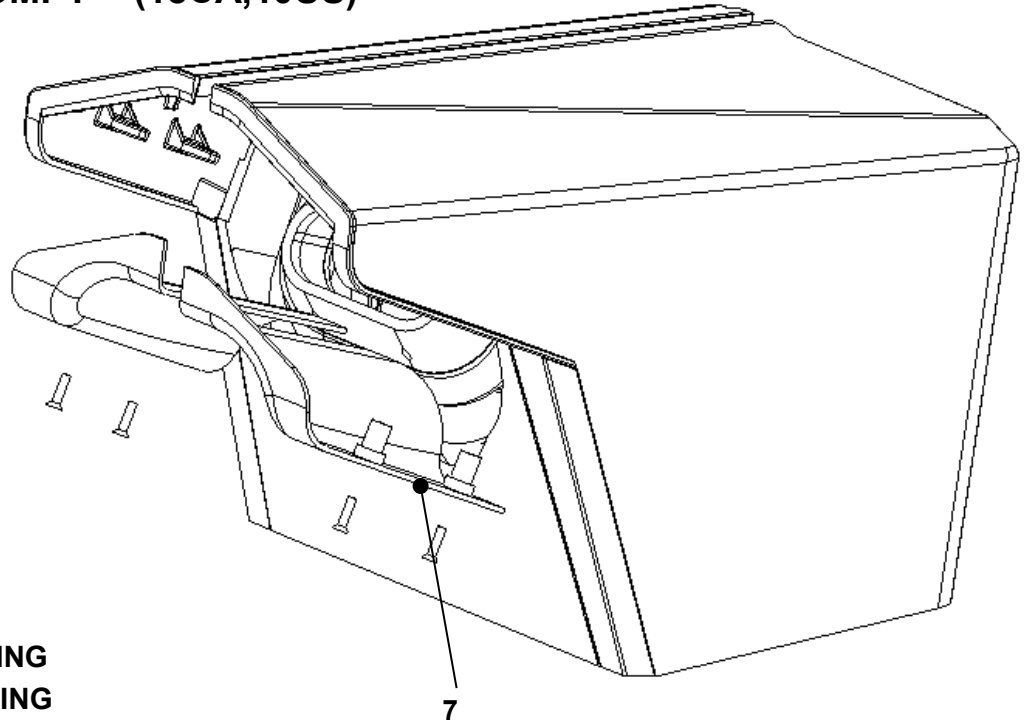
UL = UPPER LANL...
LL = LOWER LANDING
RS = RIGHT SIDE
LS = LEFT SIDE
ENVIRMT = Environment
COMPY = Country or region codes
18CA= Canada
10US= United States
HANDHEAT= Handrail heating
TRCAT=Upper landing track radius

HE0807G				
REF. No.	PART No.	TRCAT	DESCRIPTION	LOCATION
6	HAA384NA5	1500	PLASTIC GUARD INSIDE	LL, RS
	HAA384NA5	1500	PLASTIC GUARD INSIDE, COMPY= (18CA,10US), HANDHEAT=NO;	UL, LS
	HAA384NA3	1500	PLASTIC GUARD INSIDE, COMPY= (18CA,10US), HANDHEAT=YES;	UL, LS
	HAA384NA5	1500	PLASTIC GUARD INSIDE, COMPY<>(18CA,10US)	UL, LS
	HAA384NA6	1500	PLASTIC GUARD INSIDE	LL, LS; UL, RS

Link & XO-508 Entry Box Assembly

57-HE0807G

ONLY FOR COMPY<>(18CA,10US)



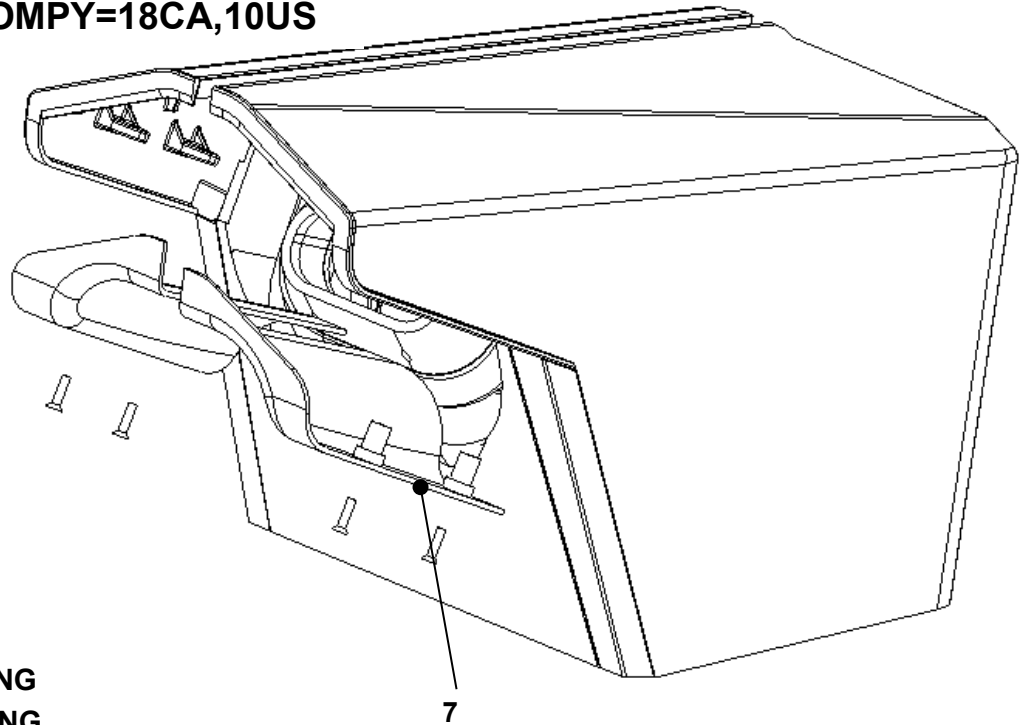
UL = UPPER LANDING
LL = LOWER LANDING
RS = RIGHT SIDE
LS = LEFT SIDE
ENVIRMT = Environment
COMPY = Country or region codes
18CA= Canada
10US= United States
HANDHEAT= Handrail heating
TRCAT=Upper landing track radius

		HE0807G		
REF. No.	PART No.	TRCAT	DESCRIPTION	LOCATION
7	HAA384NC1	1000	PLASTIC GUARD OUTSIDE, COMPY<>(18CA,10US)	LL, RS
	HAA384NC1	1000	PLASTIC GUARD OUTSIDE, COMPY<>(18CA,10US), HANDHEAT=NO	UL, LS
	HAA384NC3	1000	PLASTIC GUARD OUTSIDE, COMPY<>(18CA,10US), HANDHEAT=YES;	UL, LS
	HAA384NC2	1000	PLASTIC GUARD OUTSIDE, COMPY<>(18CA,10US)	LL, LS
	HAA384NC2	1000	PLASTIC GUARD OUTSIDE, COMPY<>(18CA,10US), HANDHEAT=NO	UL, RS
	HAA384NC4	1000	PLASTIC GUARD OUTSIDE, COMPY<>(18CA,10US), HANDHEAT=YES;	UL, RS

Link & XO-508 Entry Box Assembly

57-HE0807G

ONLY FOR COMPY=18CA,10US



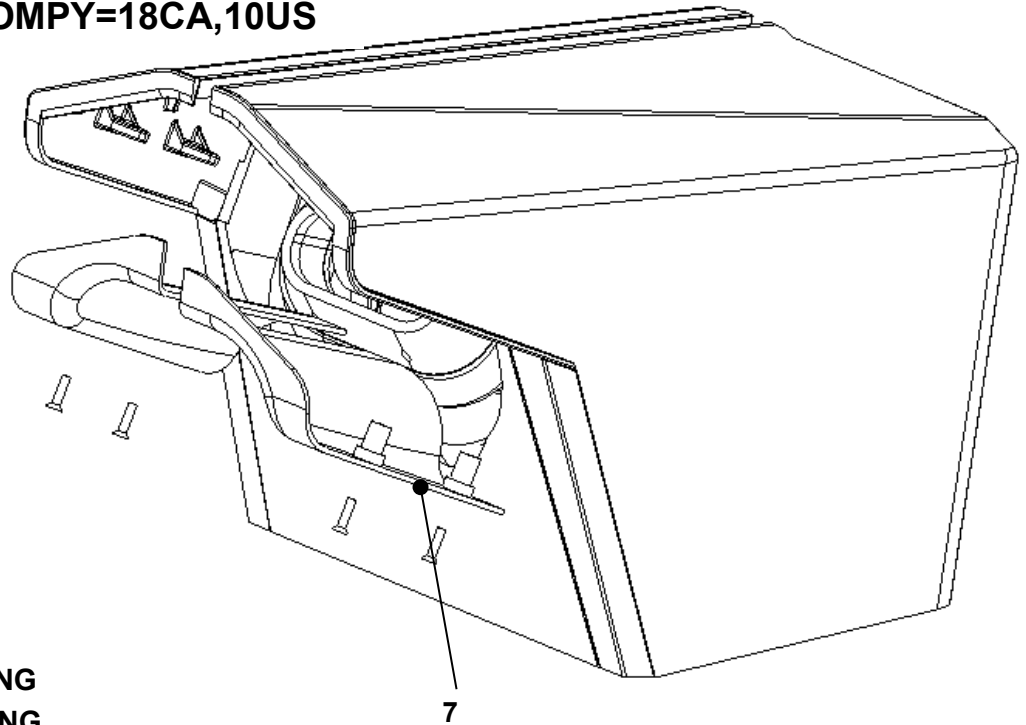
UL = UPPER LANDING
LL = LOWER LANDING
RS = RIGHT SIDE
LS = LEFT SIDE
ENVIRMT = Environment
COMPY = Country or region codes
18CA= Canada
10US= United States
HANDHEAT= Handrail heating
TRCAT=Upper landing track radius

		HE0807G		
REF. No.	PART No.	TRCAT	DESCRIPTION	LOCATION
7	HAA384NC3	1000	PLASTIC GUARD OUTSIDE, COMPY= (18CA,10US)	LL, RS
	HAA384NC3	1000	PLASTIC GUARD OUTSIDE, COMPY= (18CA,10US), HANDHEAT= ALL;	UL, LS
	HAA384NC2	1000	PLASTIC GUARD OUTSIDE, COMPY= (18CA,10US)	LL, LS
	HAA384NC2	1000	PLASTIC GUARD OUTSIDE, COMPY= (18CA,10US), HANDHEAT=NO	UL, RS
	HAA384NC4	1000	PLASTIC GUARD OUTSIDE, COMPY= (18CA,10US), HANDHEAT=YES	UL, RS

Link & XO-508 Entry Box Assembly

57-HE0807G

ONLY FOR COMPY=18CA,10US

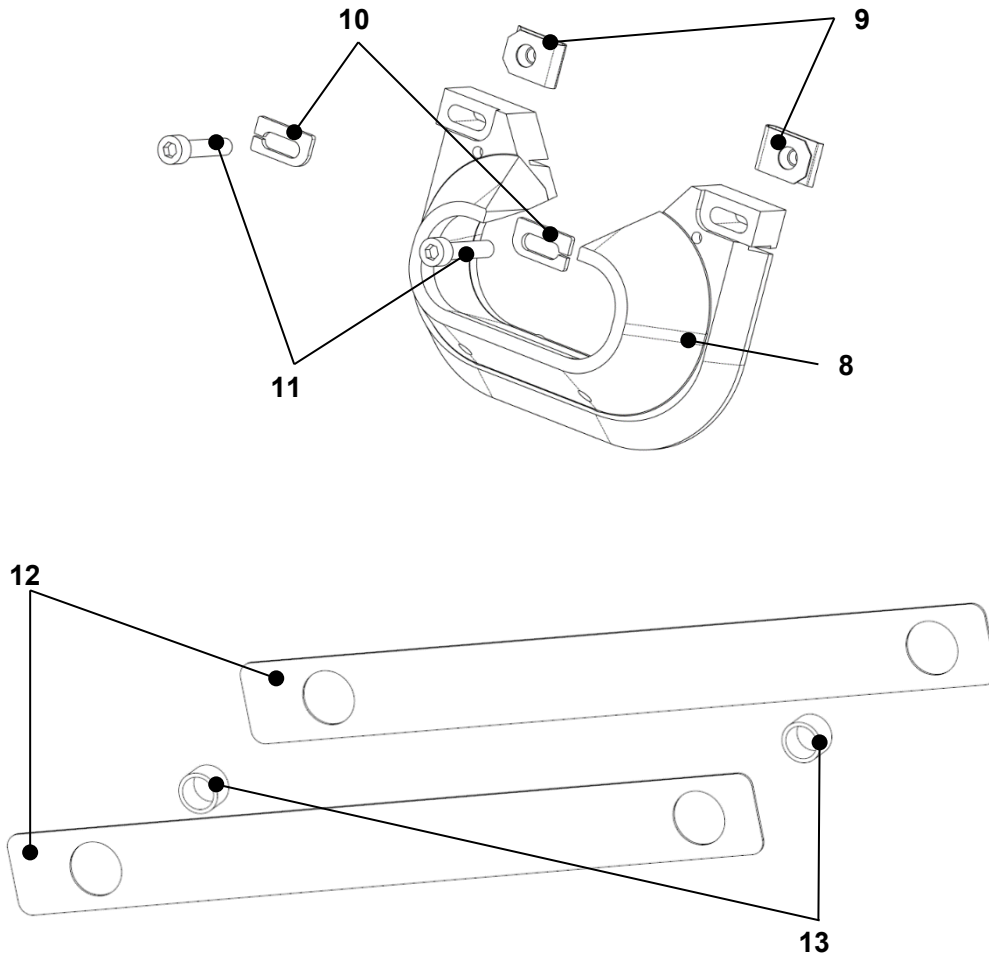


UL = UPPER LANDING
LL = LOWER LANDING
RS = RIGHT SIDE
LS = LEFT SIDE
ENVIRMT = Environment
COMPY = Country or region codes
18CA= Canada
10US= United States
HANDHEAT= Handrail heating
TRCAT=Upper landing track radius

HE0807G				
REF. No.	PART No.	TRCAT	DESCRIPTION	LOCATION
7	HAA384NC3	1500	PLASTIC GUARD OUTSIDE, COMPY= (18CA,10US)	LL, RS, UL, LS
	HAA384NC5	1500	PLASTIC GUARD OUTSIDE, COMPY<>(18CA,10US)	LL, RS, UL, LS
	HAA384NC6	1500	PLASTIC GUARD OUTSIDE	LL, LS
	HAA384NC6	1500	PLASTIC GUARD OUTSIDE, COMPY= (18CA,10US), HANDHEAT=NO	UL, RS
	HAA384NC4	1500	PLASTIC GUARD OUTSIDE, COMPY= (18CA,10US), HANDHEAT=YES	UL, RS
	HAA384NC6	1500	PLASTIC GUARD OUTSIDE, COMPY<>(18CA,10US)	UL, RS

Link & XO-508 Entry Box Assembly

57-HE0807G



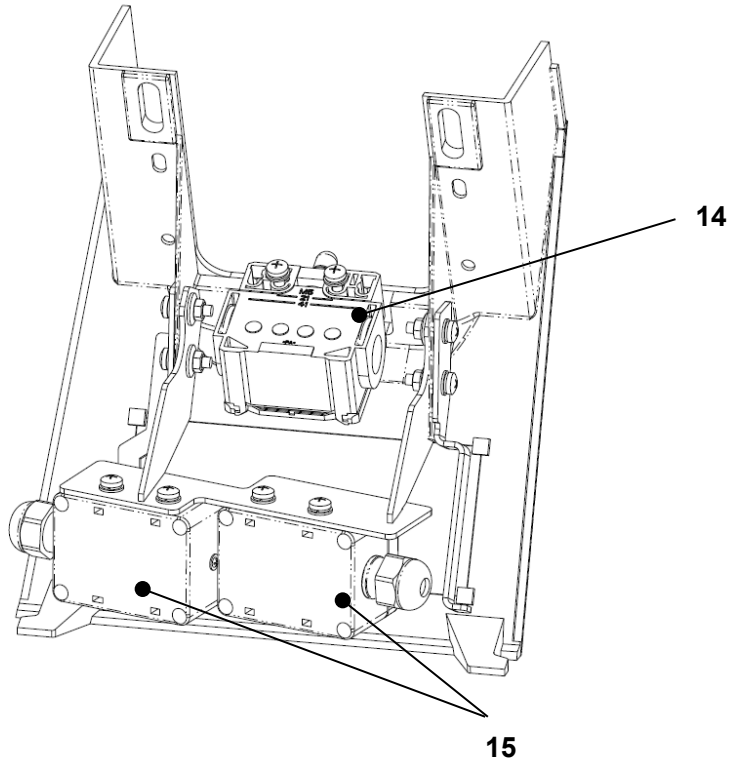
UL = UPPER LANDING
LL = LOWER LANDING
RS = RIGHT SIDE
LS = LEFT SIDE
ENVIRMT = Environment

REF. No.	PART No.	DESCRIPTION	LOCATION
8	XAA384KP1	HANDRAIL GUIDE INSERT	LL, RS; UL, LS; LL, LS; UL, RS
9	GAA72BW1	NUT	
10	GAA255MH1	SHIM	
11	ISO4762/M6X30	HEXAGON BOLTS, ENVIRMT = INDOOR	
	ISO4762/M6X30-D	HEXAGON BOLTS, ENVIRMT = OUTDOOR	
12	HAA256B1	SHIM	
13	XAA137A1	TUBE, NON-METALIC	

Link & XO-508 Entry Box Assembly

57-HE0807G

ONLY FOR COMPY=18CA,10US



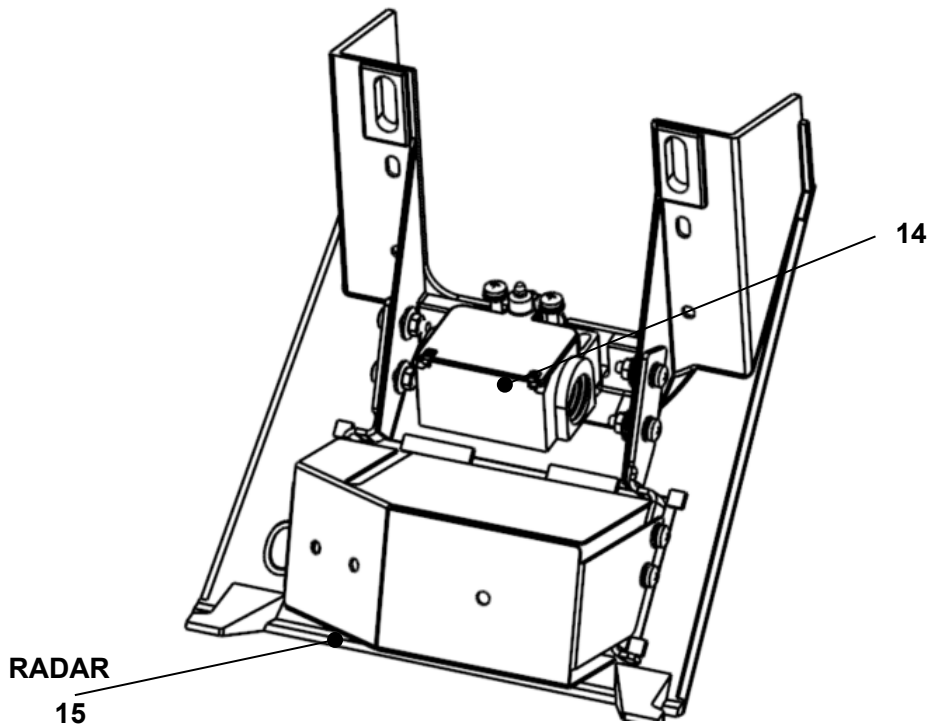
UL = UPPER LANDING
LL = LOWER LANDING
RS = RIGHT SIDE
LS = LEFT SIDE
COMPY = Country or region codes
18CA= Canada
10US= United States

REF. No.	PART No.	DESCRIPTION	LOCATION
	HE0807F		
14	GCA177GF1	S21/S22/S23/S24 HANDRAIL ENTRY CONTACT	
15	DAA629BG18	B34 UPPER, LEFT	LL, RS; UL, LS; LL, LS; UL, RS
	DAA629BG19	B34.1 UPPER, RIGHT	
	DAA629BG20	B34.2 UPPER, LEFT	
	DAA629BG21	B34.3 UPPER, RIGHT	
	DAA629BG23	B34.4 LOWER, LEFT	
	DAA629BG24	B34.5 LOWER, RIGHT	
	DAA629BG25	B34.6 LOWER, LEFT	
	DAA629BG26	B34.7 LOWER RIGHT	

Link & XO-508 Entry Box Assembly

57-HE0807F

ONLY FOR COMPY=18CA,10US



UL = UPPER LANDING
LL = LOWER LANDING
RS = RIGHT SIDE
LS = LEFT SIDE
COMPY = Country or region codes
18CA= Canada
10US= United States

REF. No.	PART No.	DESCRIPTION	LOCATION
	HE0807F		
14	GCA177GF1	S21/S22/S23/S24 HANDRAIL ENTRY CONTACT	
15	HAA177XB1	B34 UPPER, LEFT	LL, RS; UL, LS; LL, LS; UL, RS
	HAA177BYL1 & HAA174BZP11	B34 CABLE AND ASSEMBLY	
	HAA177XB2	B34.2 UPPER, RIGHT	
	HAA177BYL2 & HAA174BZP12	B34.2 CABLE AND ASSEMBLY	
	HAA177XB1	B34.4 LOWER, LEFT	
	HAA177BYL3 & HAA174BZP13	B34.4 CABLE AND ASSEMBLY	
	HAA177XB2	B34.6 LOWER, RIGHT	
	HAA177BYL4 & HAA174BZP14	B34.6 CABLE AND ASSEMBLY	