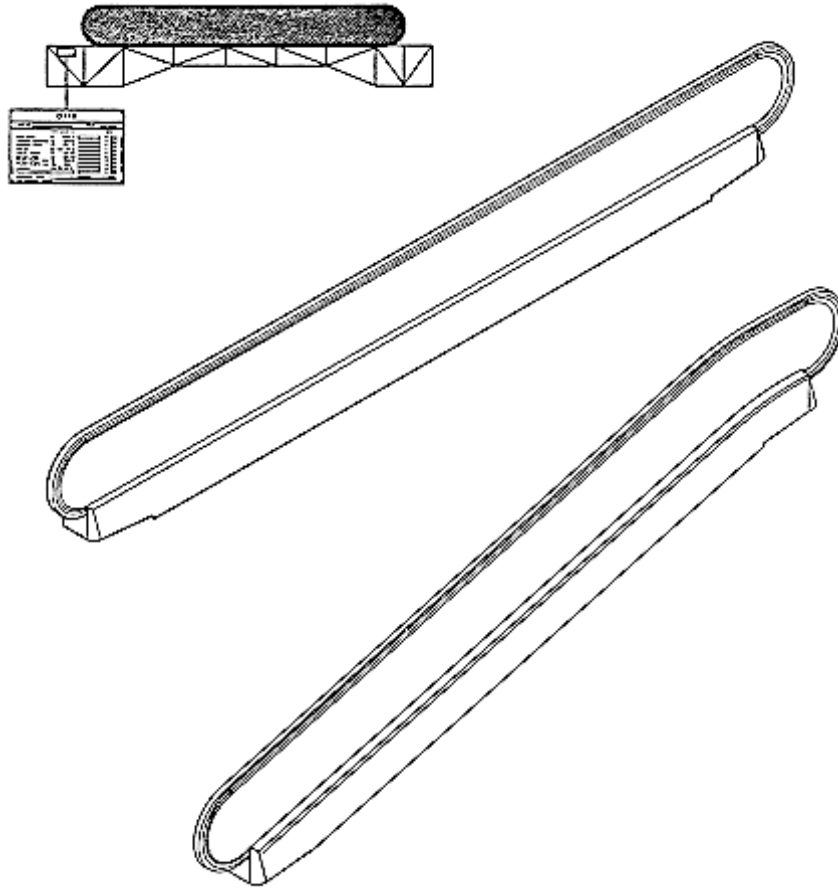


SPL 57-UT2180 - Balustrade

Unpublished Work - © Otis Elevator Company. Any unauthorized reproduction, disclosure, or distribution of copies or content by any person of any portion of this work may be a violation of Copyright Law of the United States of America. All rights reserved.

OTIS 606
January 1984

Page 1

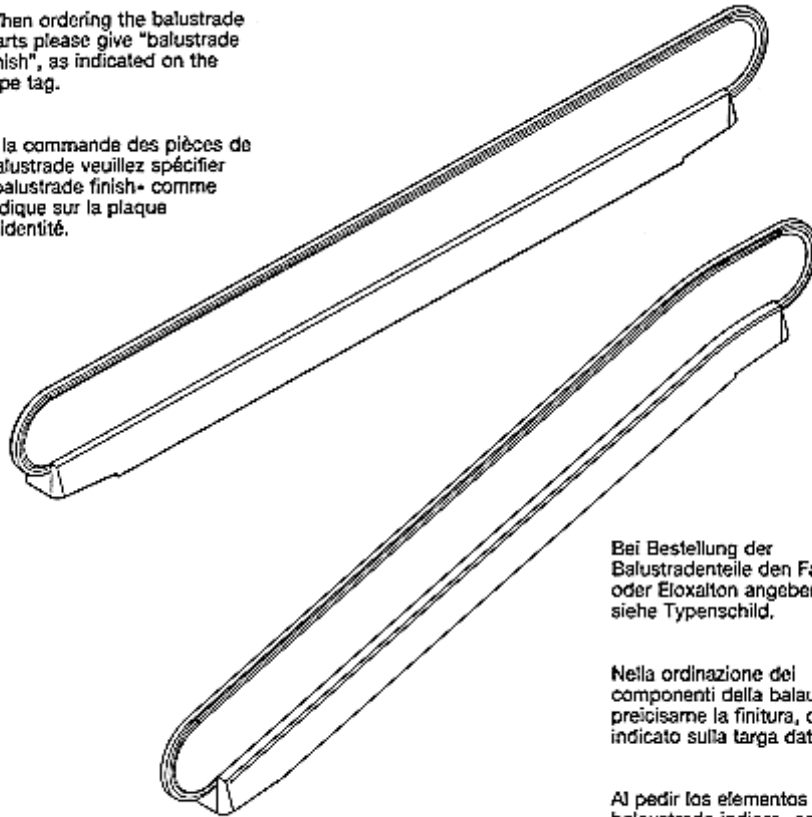


SPL 57-UT2180 - Balustrade

Page 2

When ordering the balustrade parts please give "balustrade finish", as indicated on the type tag.

A la commande des pièces de balustrade veuillez spécifier «balustrade finish» comme indique sur la plaque d'identité.



Bei Bestellung der Balustradenteile den Farb- oder Eloxalton angeben, siehe Typenschild.

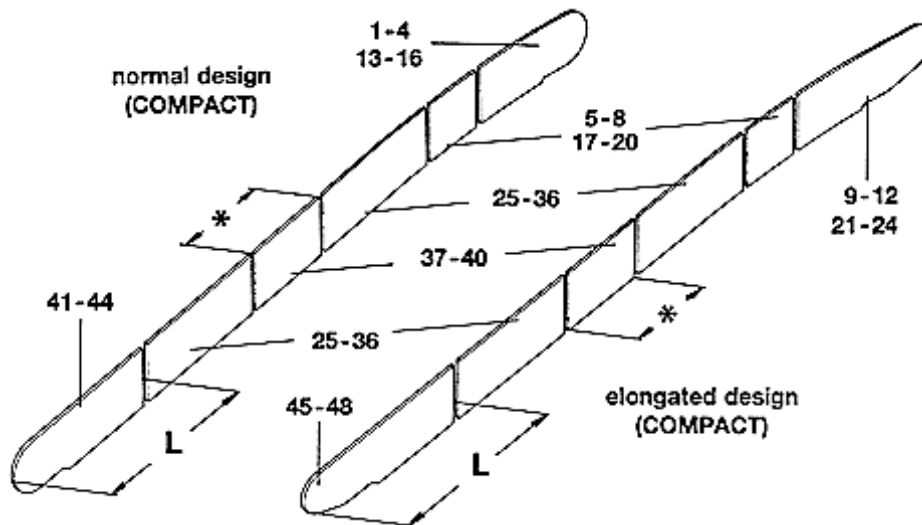
Nella ordinazione dei componenti della balastra precisare la finitura, come indicato sulla targa dat.

Al pedir los elementos de la balastrada indicar «acabado de balastrada» según se indica en la placa tipo.

PAGE	DESCRIPTION
3-5	BALUSTRADE GLASS-PANEL
6-7	BALUSTRADE HANDRAIL GUIDE
8-11	BALUSTRADE SUPPORTING PROFILE ALU AND ST ST
12-15	BALUSTRADE INNERDECKING PROFILE ALU AND ST ST
16-19	BALUSTRADE OUTERDECKING PROFILE ALU AND ST ST
20-26	BALUSTRADE SKIRT-PANEL
27	BALUSTRADE FASTENING PARTS FOR DECKING PROFILE ALU AND ST ST
28	BALUSTRADE NORMAL NEWEL ALU
29	BALUSTRADE NORMAL NEWEL ST ST
30	BALUSTRADE ELONGATED NEWEL ALU
	BALUSTRADE ELONGATED NEWEL ST ST

SPL 57-UT2180 - Balustrade

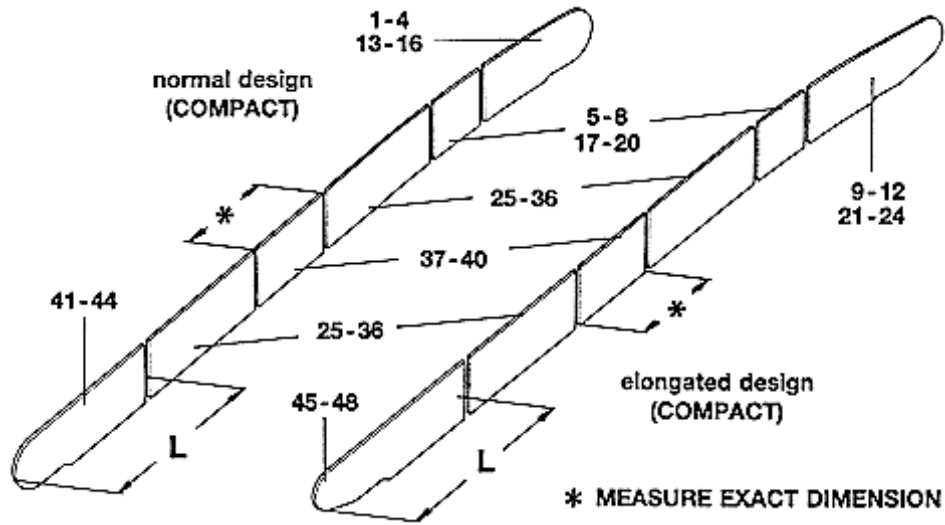
Page 3 - TYPE GO 434 A 45-56, UT 2180/1-20/111-118, BALUSTRADE GLASS-PANEL, NORMAL- AND ELONGATED DESIGN



SERIAL G. 01				
REF. No	PART OR ML	DESCRIPTION		
1	UT2180-1	Glass-panel clear	12°	upper landing
2	UT2180-2	Glass-panel smoked		normal design
3	UT2180-3	Glass-panel green		
4	UT2180-4	Glass-panel bronze		
5	UT2180-5	Glass-panel clear		upper landing
6	UT2180-6	Glass-panel smoked		normal and
7	UT2180-7	Glass-panel green		elongated design
8	UT2180-8	Glass-panel bronze		
9	UT2180-9	Glass-panel clear		upper landing
10	UT2180-10	Glass-panel smoked		elongated design
11	UT2180-11	Glass-panel green		
12	UT2180-12	Glass-panel bronze		
13	UT2180-111	Glass-panel clear	10°	upper landing
14	UT2180-112	Glass-panel smoked		normal design
15	UT2180-113	Glass-panel green		
16	UT2180-114	Glass-panel bronze		
17	UT2180-115	Glass-panel clear		upper landing
18	UT2180-116	Glass-panel smoked		normal and
19	UT2180-117	Glass-panel green		elongated design
20	UT2180-118	Glass-panel bronze		
21	-----	Glass-panel clear		upper landing
22	-----	Glass-panel smoked		elongated design
23	-----	Glass-panel green		
24	-----	Glass-panel bronze		

SPL 57-UT2180 - Balustrade

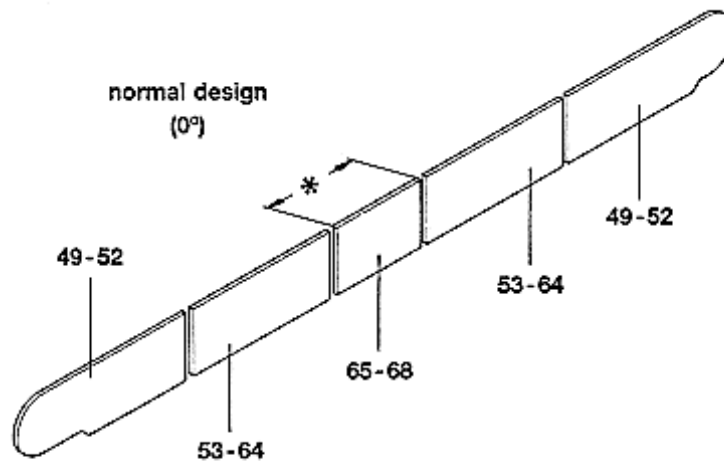
Page 4



SERIAL G. 01				
REF. No	PART OR ML	DESCRIPTION		
25	GO434A45	Glass-panel 1200 mm	clear	inclined
26	GO434A46	Glass-panel 1300 mm		section
27	GO434A47	Glass-panel 1400 mm		
28	GO434A48	Glass-panel 1200 mm	smoked	
29	GO434A49	Glass-panel 1300 mm		
30	GO434A50	Glass-panel 1400 mm		
31	GO434A51	Glass-panel 1200 mm	green	
32	GO434A52	Glass-panel 1300 mm		
33	GO434A53	Glass-panel 1400 mm		
34	GO434A54	Glass-panel 1200 mm	bronze	
35	GO434A55	Glass-panel 1300 mm		
36	GO434A56	Glass-panel 1400 mm		
37	GO434A-V1	Glass-panel variable *	clear	
38	GO434A-V2	Glass-panel variable *	smoked	
39	GO434A-V3	Glass-panel variable *	green	
40	GO434A-V4	Glass-panel variable *	bronze	
41	UT2180-13	Glass-panel clear		
42	UT2180-14	Glass-panel smoked	Length = 1750 mm	lower landing
43	UT2180-15	Glass-panel green		normal design
44	UT2180-16	Glass-panel bronze		
45	UT2180-17	Glass-panel clear		
46	UT2180-18	Glass-panel smoked	Length = 2095 mm	lower landing
47	UT2180-19	Glass-panel green		elongated design
48	UT2180-20	Glass-panel bronze		

SPL 57-UT2180 - Balustrade

Page 5 - TYPE GO 434 A 45-56, UT 2180/136-139, BALUSTRADE GLASS-PANEL NORMAL DESIGN

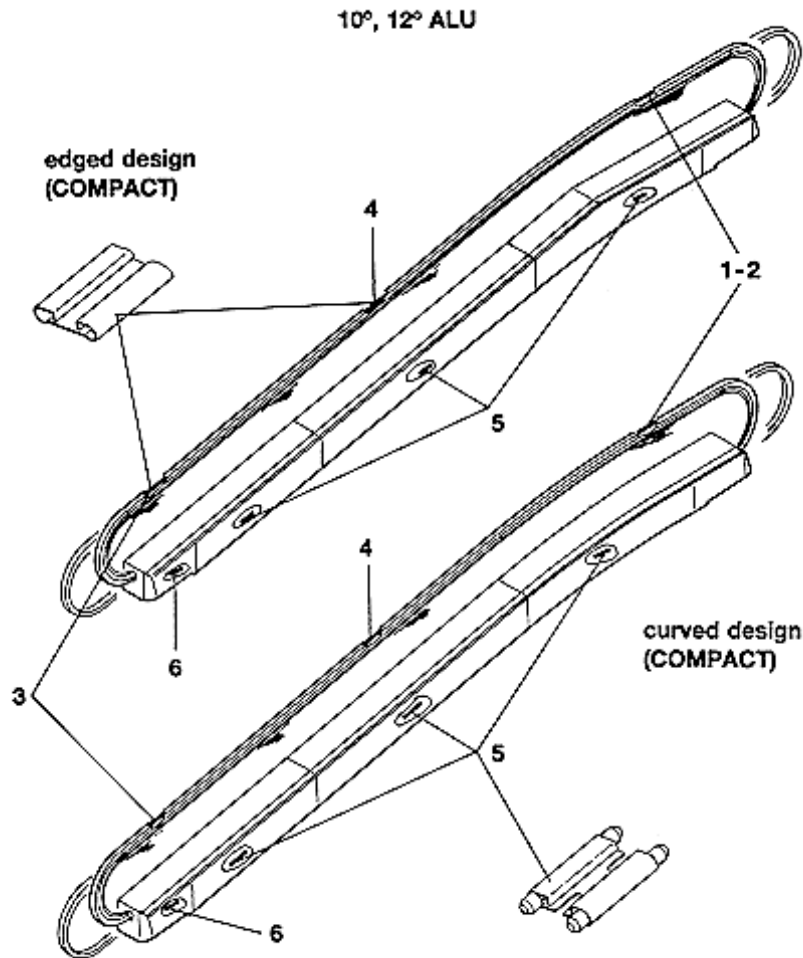


* MEASURE EXACT DIMENSION

SERIAL G. 01				
REF. No	PART OR ML	DESCRIPTION		
49	UT2180-136	Glass-panel clear	0°	upper and
50	UT2180-137	Glass-panel smoked		lower landing
51	UT2180-138	Glass-panel green		normal design
52	UT2180-139	Glass-panel bronze		
53	GO434A45	Glass-panel 1200 mm	clear	inclined
54	GO434A46	Glass-panel 1300 mm		section
55	GO434A47	Glass-panel 1400 mm		
56	GO434A48	Glass-panel 1200 mm	smoked	
57	GO434A49	Glass-panel 1300 mm		
58	GO434A50	Glass-panel 1400 mm		
59	GO434A51	Glass-panel 1200 mm	green	
60	GO434A52	Glass-panel 1300 mm		
61	GO434A53	Glass-panel 1400 mm		
62	GO434A54	Glass-panel 1200 mm	bronze	
63	GO434A55	Glass-panel 1300 mm		
64	GO434A56	Glass-panel 1400 mm		
65	GO434A-V1	Glass-panel variable	* clear	
66	GO434A-V2	Glass-panel variable	* smoked	
67	GO434A-V3	Glass-panel variable	* green	
68	GO434A-V4	Glass-panel variable	* bronze	

SPL 57-UT2180 - Balustrade

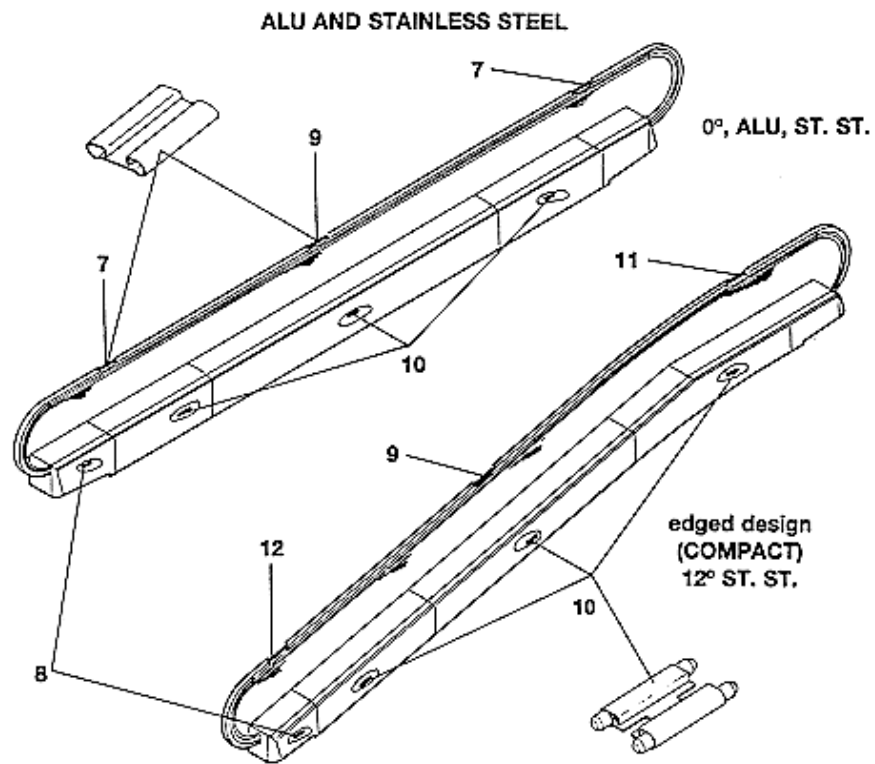
Page 6 - TYPE UT 2180/31/35/62-71, BALUSTRADE HANDRAIL GUIDE NORMAL- AND ELONGATED NEWEL



SERIAL G. 01						
REF. No	PART OR ML	DESCRIPTION				
1	UT2199-21	Handrail guide 12° normal			upper	normal
2	UT2199-22	Handrail guide 10° normal			landing	and
3	1S-GO50YC	Handrail	normal		lower	elongated
	2S-GO50YC	guide	ST ST	6000 mm	landing	newel
4	1S-GO50YC	10° and 12°	normal	To be cut according to the dimensions	inclined	
	2S-GO50YC		ST ST		section	
5	GO2215AB8	Handrail guide ST ST And Hardware for fastening				
6	GO402ARM8	Handrail guide normal			lower	
	GO402ARM9	Handrail guide ST ST			landing	

SPL 57-UT2180 - Balustrade

Page 7 - TYPE UT 2180/31/32/35/52-54, BALUSTRADE HANDRAIL GUIDE NORMAL NEWEL

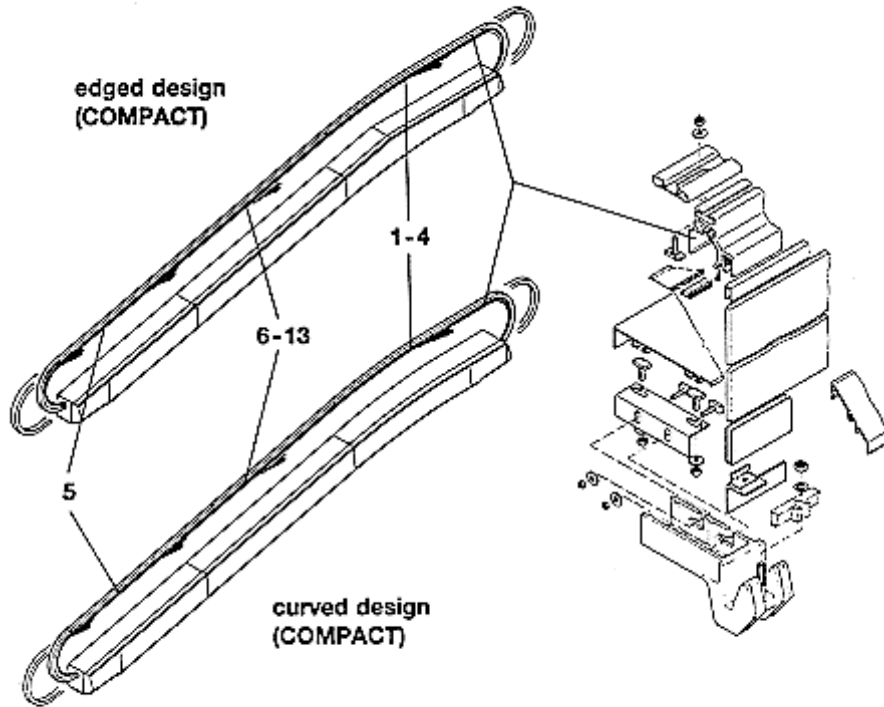


SERIAL G. 01				
REF. No	PART OR ML	DESCRIPTION		
7	IS-GO50YC	Handrail guide normal		upper
		0° (ALU, ST ST)	6000 mm	and
	2S-GO50YC	Handrail guide ST ST	To be cut according to the dimensions	lower
		0° (ALU, ST ST)		landing
8	GO402ARM8	Handrail guide normal 0° and 12°		lower
	GO402ARM9	Handrail guide ST ST 0° and 12°		landing
9	IS-GO50YC	Handrail guide normal		
		0° and 12° (ALU, ST ST)	6000 mm	inclined
	2S-GO50YC	Handrail guide ST ST	To be cut according to the dimensions	section
		0° and 12° (ALU, ST ST)		
10	GO2215AB8	Handrail guide ST ST And Hardware for fastening		
11	UT2129-21	Handrail guide normal 12°	(ST ST)	upper
	UT2129-23	Handrail guide ST ST 12°	(ST ST)	landing
12	IS-GO50YC	Handrail guide normal 12°	6000 mm	lower
	2S-GO-50YC	Handrail guide ST ST 12°	To be cut according to the dimensions	landing

SPL 57-UT2180 - Balustrade

Page 8 - TYPE UT 2180/31/35/62-71, BALUSTRADE SUPPORTING PROFILE ALU NORMAL- AND ELONGATED NEWEL

10°, 12° ALU

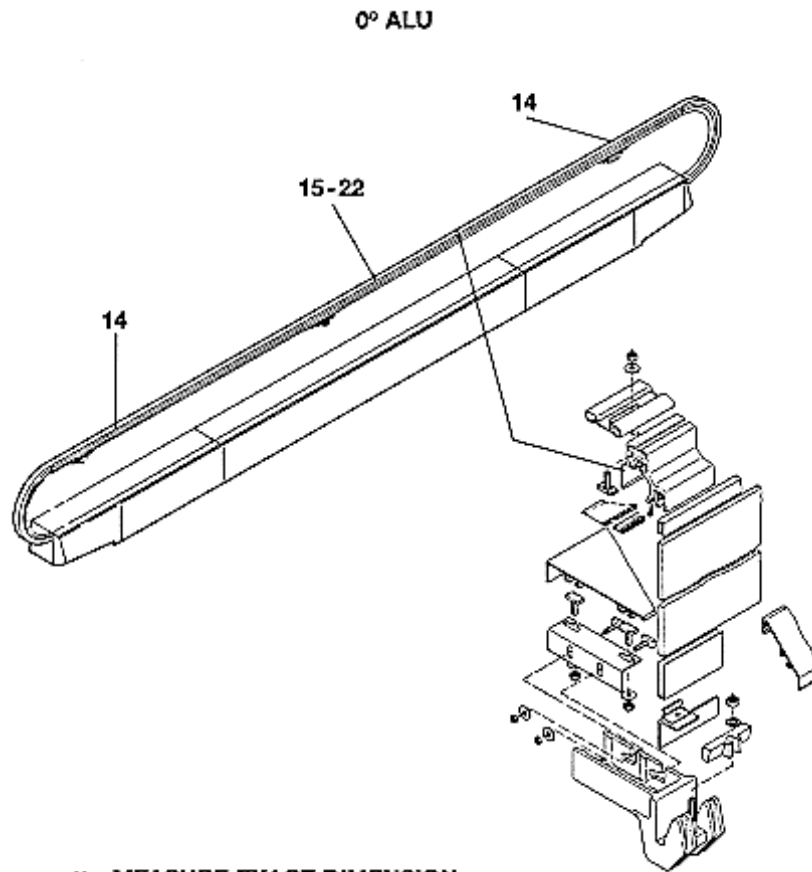


* MEASURE EXACT DIMENSION

SERIAL G. 01					
REF. No	PART OR ML	DESCRIPTION			
1	UT2129-1	Supporting profile	Left hand	upper	12°
2	UT2129-2	Supporting profile	Right hand	landing	
3	UT2129-3	Supporting profile	Left hand	upper	10°
4	UT2129-4	Supporting profile	Right hand	landing	
5	UT2129-42	Supporting profile	Left hand + Right hand	lower	10°
		3528 mm		landing	+
					12°
6	GO402ASB1	Supporting profile	5800 mm		inclined
7	GO402ASB2	Supporting profile	2900 mm		section
8	GO402ASB-V1	Supporting profile	1 - 1000 mm *		
9	GO402ASB-V2	Supporting profile	1001 - 2000 mm *		
10	GO402ASB-V3	Supporting profile	2001 - 3000 mm *		
11	GO402ASB-V4	Supporting profile	3001 - 4000 mm *		
12	GO402ASB-V5	Supporting profile	4001 - 5000 mm *		
13	GO402ASB-V6	Supporting profile	5001 - 6000 mm *		

SPL 57-UT2180 - Balustrade

Page 9 - TYPE UT 2180/31/35/88-91, BALUSTRADE SUPPORTING PROFILE ALU
NORMAL NEWEL

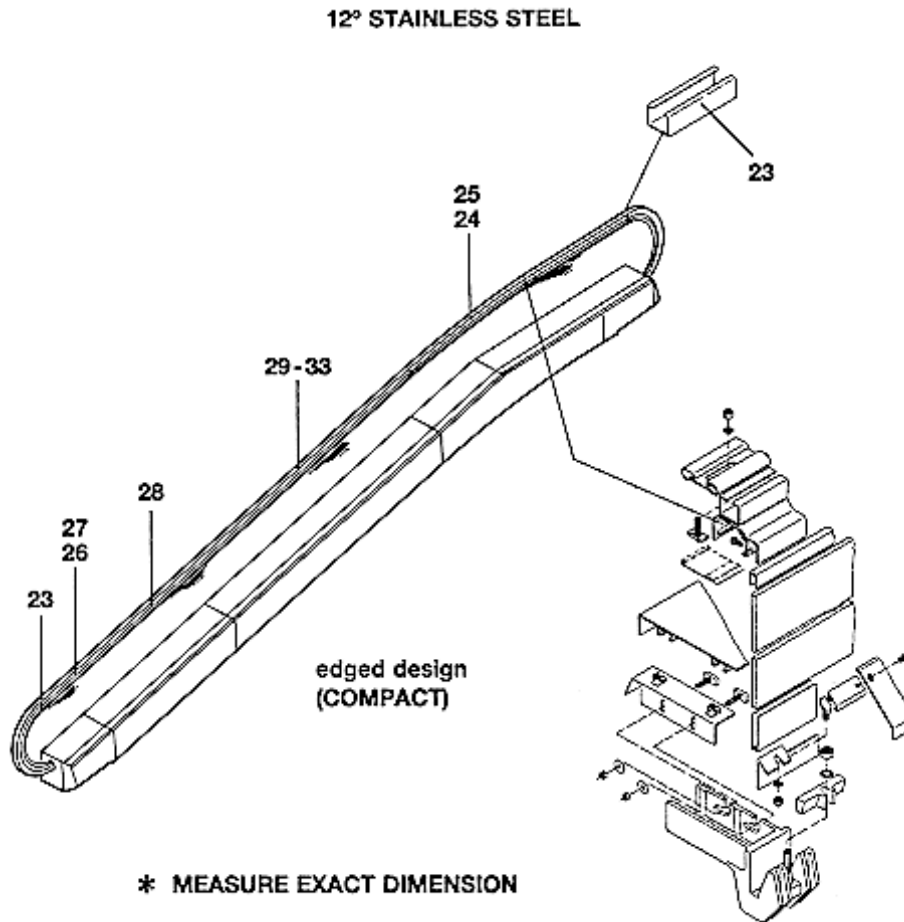


* MEASURE EXACT DIMENSION

SERIAL G. 01					
REF. No	PART OR ML	DESCRIPTION			
14	UT2129-43	Supporting profile	Left hand + Right hand	upper	0°
		3678 mm		and	
				lower	
				landing	
15	GO402ASB1	Supporting profile	5800 mm		inclined
16	GO402ASB2	Supporting profile	2900 mm		section
17	GO402ASB-V1	Supporting profile	1 - 1000 mm *		
18	GO402ASB-V2	Supporting profile	1001 - 2000 mm *		
19	GO402ASB-V3	Supporting profile	2001 - 3000 mm *		
20	GO402ASB-V4	Supporting profile	3001 - 4000 mm *		
21	GO402ASB-V5	Supporting profile	4001 - 5000 mm *		
22	GO402ASB-V6	Supporting profile	5001 - 6000 mm *		

SPL 57-UT2180 - Balustrade

Page 10 - TYPE UT 2180/54, BALUSTRADE SUPPORTING PROFILE STAINLESS STEEL
NORMAL NEWEL

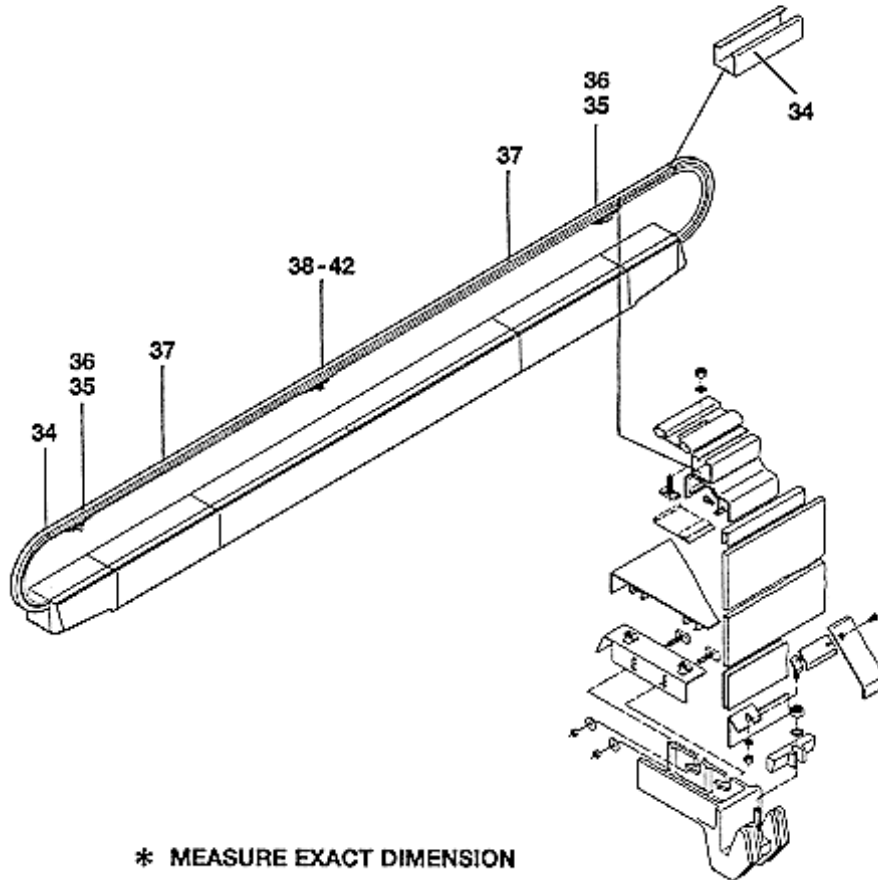


SERIAL G. 01					
REF. No	PART OR ML	DESCRIPTION			
23	GO402ATM3	Supporting profile			
24	UT2129-47	Supporting profile 2367 mm	Left hand	upper	12°
25	UT2129-48	Supporting profile 2367 mm	Right hand	landing	
26	UT2129-31	Supporting profile 1128 mm	Left hand	lower	
27	UT2129-32	Supporting profile 1128 mm	Right hand	landing	
28	GO402AWE2	Supporting profile 2450 mm	Left hand + Right hand		
29	GO402AWE1	Supporting profile 1450 mm			inclined
30	GO402AWE2	Supporting profile 2450 mm			section
31	GO402AWE-V1	Supporting profile 0 - 1400 mm *			
32	GO402AWE-V2	Supporting profile 1401 - 1900 mm *			
33	GO402AWE-V3	Supporting profile 1901 - 2400 mm *			

SPL 57-UT2180 - Balustrade

Page 11 - TYPE UT 2180/32, BALUSTRADE SUPPORTING PROFILE STAINLESS STEEL
NORMAL NEWEL

0° STAINLESS STEEL

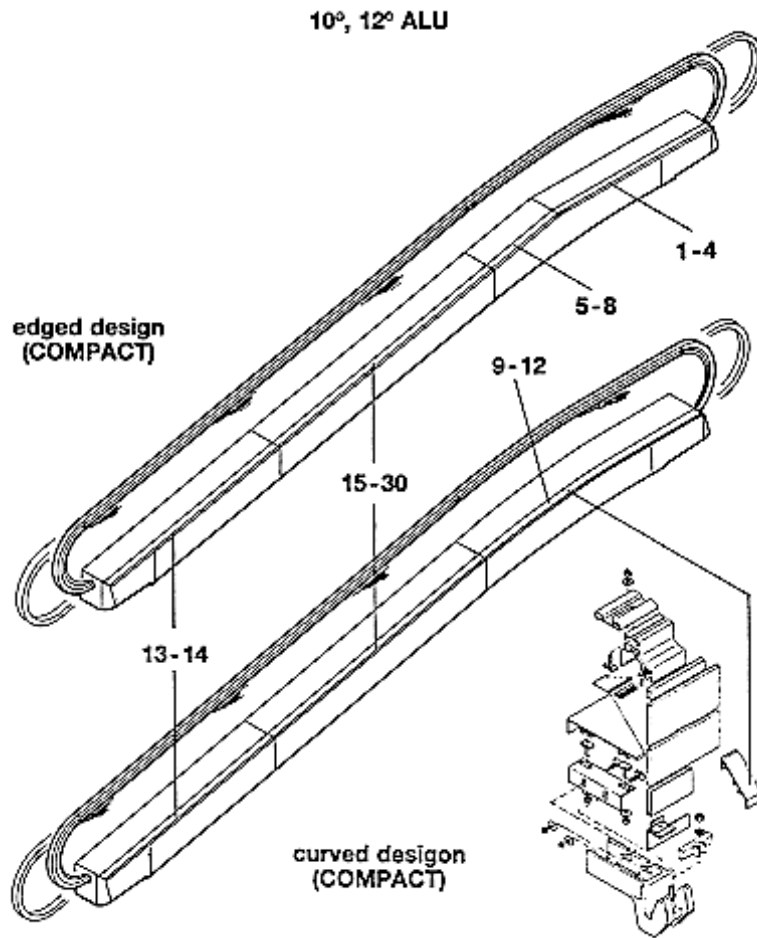


* MEASURE EXACT DIMENSION

SERIAL G. 01					
REF. No	PART OR ML	DESCRIPTION			
34	GO402ATM3	Supporting profile			
35	UT2129-31	Supporting profile 1128 mm	Left hand	upper	0°
36	UT2129-32	Supporting profile 1128 mm	Right hand	and	
37	GO402AWE2	Supporting profile 2450 mm	Left hand + Right hand	lower	
				landing	
38	GO402AWE1	Supporting profile 1450 mm			inclined section
39	GO402AWE2	Supporting profile 2450 mm			
40	GO402AWE-V1	Supporting profile 0 - 1400 mm *			
41	GO402AWE-V2	Supporting profile 1401 - 1900 mm *			
42	GO402AWE-V3	Supporting profile 1901 - 2400 mm *			

SPL 57-UT2180 - Balustrade

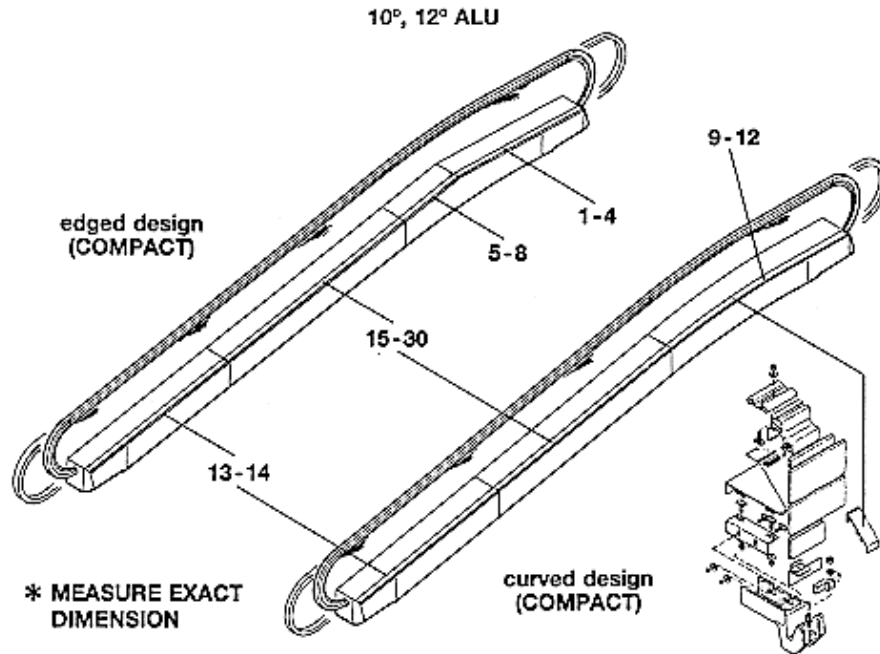
Page 12 - TYPE UT 2180/62-71, BALUSTRADE INNERDECKING PROFILE ALU NORMAL - AND ELONGATED NEWEL



SERIAL G. 01							
REF. No	PART OR ML	DESCRIPTION					
1	UT2121-1	Innerdecking profile	Left hand	upper	12°	edged	ALU
2	UT2121-2	Innerdecking profile	Right hand	landing		design	
3	UT2121-3	Innerdecking profile	Left hand		10°		
4	UT2121-4	Innerdecking profile	Right hand				
5	UT2122-1	Innerdecking profile	Left hand	upper	12°		
6	UT2122-2	Innerdecking profile	Right hand	landing			
7	UT2122-3	Innerdecking profile	Left hand		10°		
8	UT2122-4	Innerdecking profile	Right hand				
9	UT2123-1	Innerdecking profile	Left hand	upper	12°	curved	
10	UT2123-2	Innerdecking profile	Right hand	landing		design	
11	UT2123-3	Innerdecking profile	Left hand		10°		
12	UT2123-4	Innerdecking profile	Right hand				

SPL 57-UT2180 - Balustrade

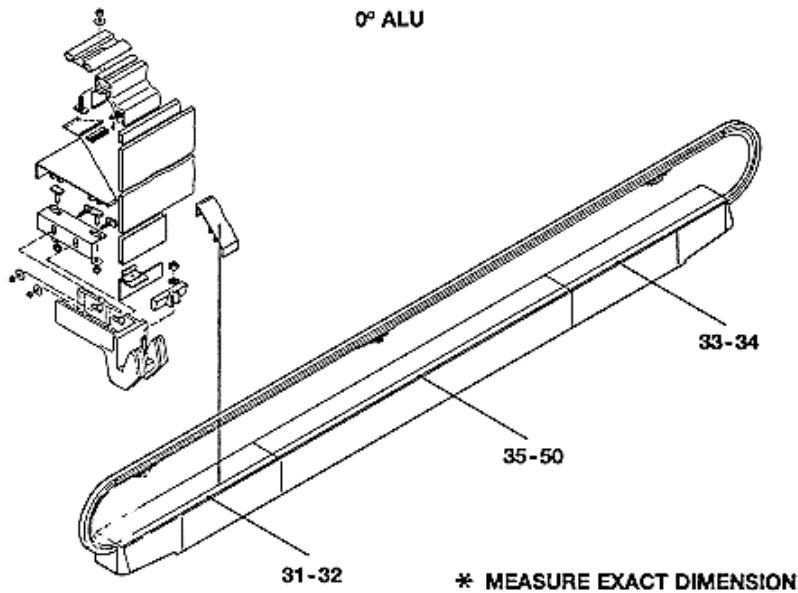
@PAGE 13



SERIAL G. 01							
REF. No	PART OR ML	DESCRIPTION					
13	UT2124-1	Innerdecking profile	Left hand	lower	10°	edged	ALU
14	UT2124-2	Innerdecking profile	Right hand	landing	and	and	
					12°	curved design	
15	GO402APX1	Innerdecking profile	Left hand	5800 mm		edged	
16	GO402APX2	Innerdecking profile	Right hand			and	
17	GO402APX3	Innerdecking profile	Left hand	2900 mm		curved design	
18	GO402APX4	Innerdecking profile	Right hand				
19	GO402APX-V1	Innerdecking profile	Left hand	1-1000 mm			
20	GO402APX-V2	Innerdecking profile	Right hand			inclined	
21	GO402APX-V3	Innerdecking profile	Left hand	1001-2000 mm		section	
22	GO402APX-V4	Innerdecking profile	Right hand				
23	GO402APX-V5	Innerdecking profile	Left hand	2001-300 mm		10°	
24	GO402APX-V6	Innerdecking profile	Right hand			and	
25	GO402APX-V7	Innerdecking profile	Left hand	3001-4000 mm		12°	
26	GO402APX-V8	Innerdecking profile	Right hand				
27	GO402APX-V9	Innerdecking profile	Left hand	4001-5000 mm			
28	GO402APX-V10	Innerdecking profile	Right hand				
29	GO402APX-V11	Innerdecking profile	Left hand	5001-6000 mm			
30	GO402APX-V12	Innerdecking profile	Right hand				

SPL 57-UT2180 - Balustrade

Page 14 - TYPE UT 2180/31/350/88-91, BALUSTRADE INNERDECKING PROFILE ALU NORMAL NEWEL

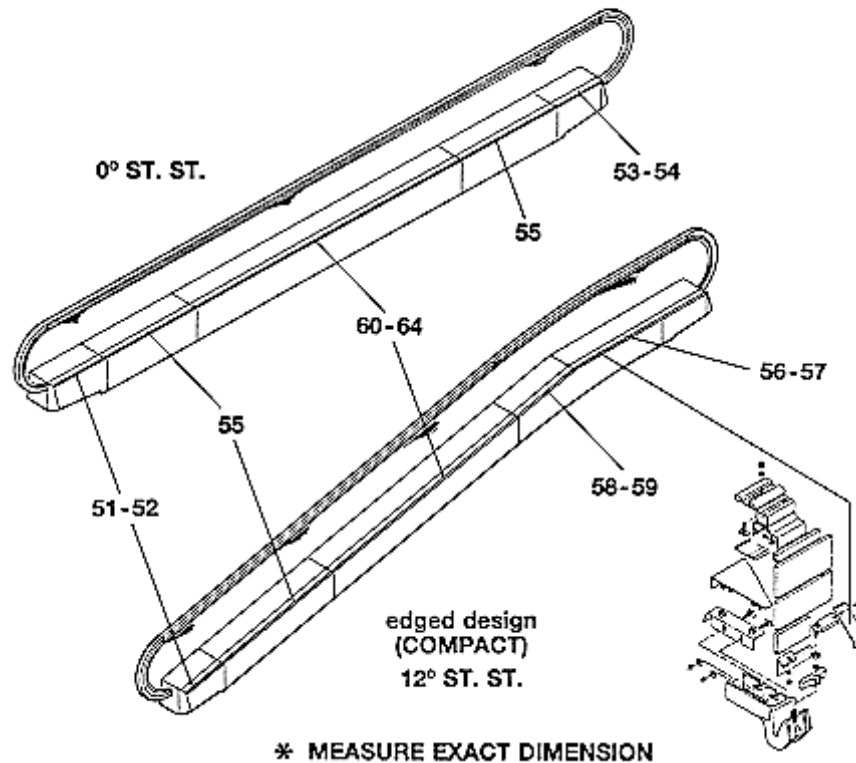


SERIAL G. 01						
REF. No	PART OR ML	DESCRIPTION				
31	UT2124-11	Innerdecking profile	Left hand	lower	0°	ALU
32	UT2124-12	Innerdecking profile	Right hand	landing		
33	UT2124-12	Innerdecking profile	Left hand	upper		
34	UT2124-11	Innerdecking profile	Right hand	landing		
35	GO402APX1	Innerdecking profile	Left hand	5800 mm	inclined	
36	GO402APX2	Innerdecking profile	Right hand		section	
37	GO402APX3	Innerdecking profile	Left hand	2900 mm		
38	GO402APX4	Innerdecking profile	Right hand		0°	
39	GO402APX-V1	Innerdecking profile	Left hand	1-1000*mm		
40	GO402APX-V2	Innerdecking profile	Right hand			
41	GO402APX-V3	Innerdecking profile	Left hand	1001-2000*mm		
42	GO402APX-V4	Innerdecking profile	Right hand			
43	GO402APX-V5	Innerdecking profile	Left hand	2001-3000*mm		
44	GO402APX-V6	Innerdecking profile	Right hand			
45	GO402APX-V7	Innerdecking profile	Left hand	3001-4000*mm		
46	GO402APX-V8	Innerdecking profile	Right hand			
47	GO402APX-V9	Innerdecking profile	Left hand	4001-5000*mm		
48	GO402APX-V10	Innerdecking profile	Right hand			
49	GO402APX-V11	Innerdecking profile	Left hand	5001-6000*mm		
50	GO402APX-V12	Innerdecking profile	Right hand			

SPL 57-UT2180 - Balustrade

Page 15 - TYPE UT 2180/32-54, BALUSTRADE INNERDECKING PROFILE ST ST NORMAL NEWEL

0°, 12° STAINLESS STEEL

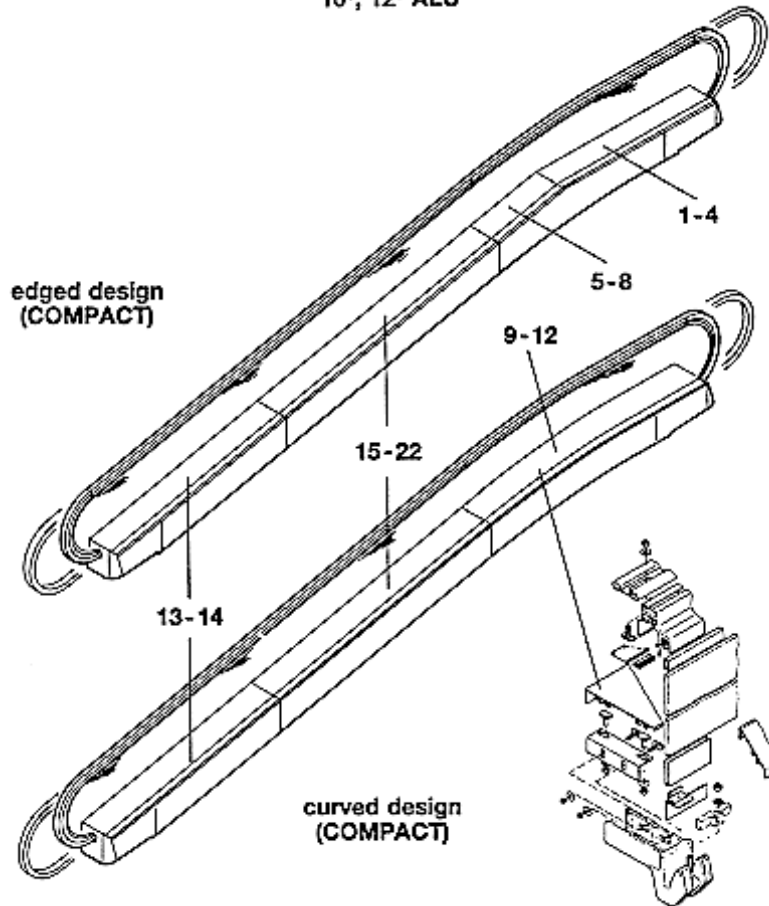


SERIAL G. 01		DESCRIPTION				
REF. No	PART OR ML	DESCRIPTION				
51	UT2124-5	Innerdecking profile	Left hand	lower	0 + 12°	ST
52	UT2124-6	Innerdecking profile	Right hand	landing		ST
53	UT2124-6	Innerdecking profile	Left hand	upper	0°	
54	UT2124-5	Innerdecking profile	Right hand	landing		
55	GO402ATR2	Innerdecking profile	2450 mm			
56	UT2124-15	Innerdecking profile	Left hand	upper	12°	
57	UT2124-16	Innerdecking profile	Right hand	landing		
58	UT2124-19	Innerdecking profile	Left hand			
59	UT2124-20	Innerdecking profile	Right hand			
60	GO402ATR1	Innerdecking profile	1450 mm		inclined	
61	GO402ATR2	Innerdecking profile	2450 mm		section	
62	GO402ATR-V1	Innerdecking profile	0-1400 mm *		0°	
63	GO402ATR-V2	Innerdecking profile	1401-1900 mm *		and	
64	GO402ATR-V3	Innerdecking profile	1901-2400 mm *		12°	

SPL 57-UT2180 - Balustrade

Page 16 - TYPE UT 2180/31/35/62-71, BALUSTRADE OUTERDECKING PROFILE ALU NORMAL- AND ELONGATED NEWEL

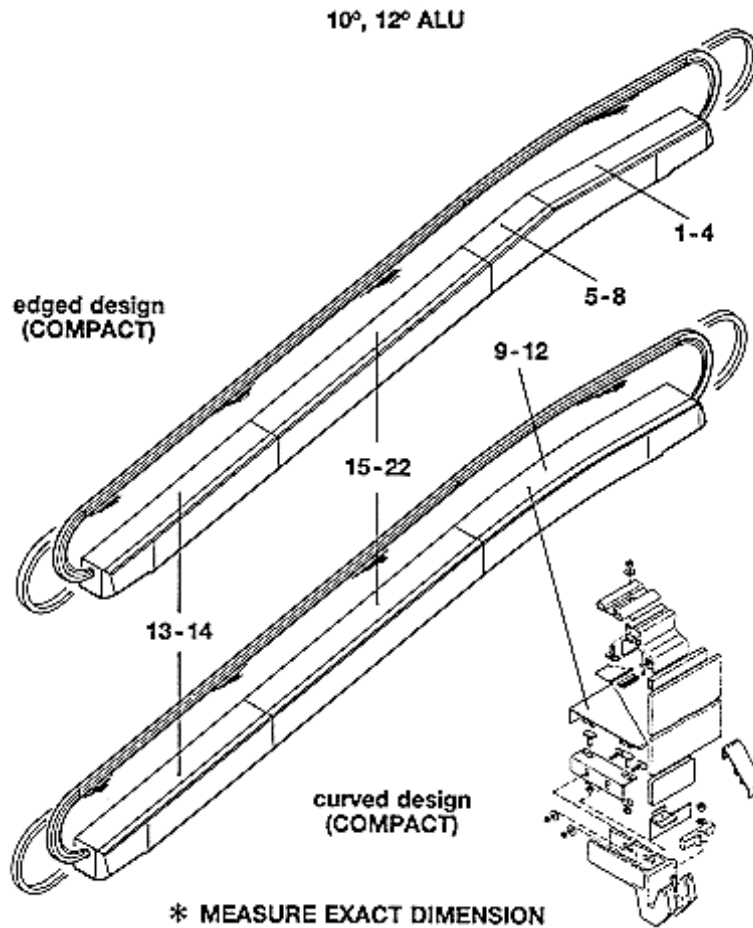
10°, 12° ALU



SERIAL G. 01							
REF. No	PART OR ML	DESCRIPTION					
1	UT2125-1	Outerdecking profile	Left hand	upper	12°	edged	ALU
2	UT2125-2	Outerdecking profile	Right hand	landing		design	
3	UT2125-3	Outerdecking profile	Left hand		10°		
4	UT2125-4	Outerdecking profile	Right hand				
5	UT2126-1	Outerdecking profile	Left hand	upper	12°		
6	UT2126-2	Outerdecking profile	Right hand	landing			
7	UT2126-3	Outerdecking profile	Left hand		10°		
8	UT2126-4	Outerdecking profile	Right hand				
9	UT2127-1	Outerdecking profile	Left hand	upper	12°	curved	
10	UT2127-2	Outerdecking profile	Right hand	landing		design	
11	UT2127-3	Outerdecking profile	Left hand		10°		
12	UT2197-4	Outerdecking profile	Right hand				

SPL 57-UT2180 - Balustrade

Page 17

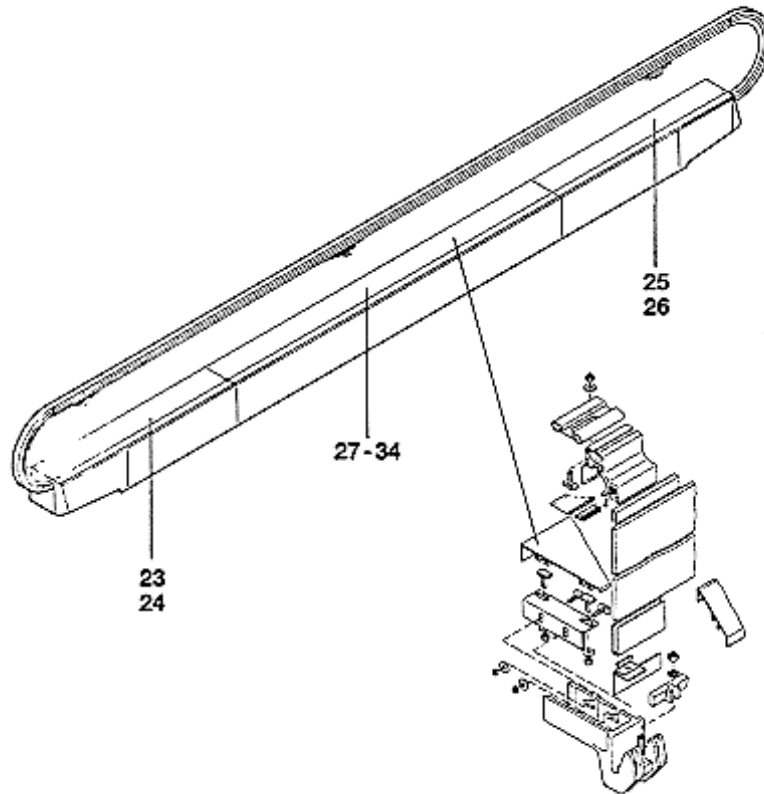


SERIAL G. 01							
REF. No	PART OR ML	DESCRIPTION					
13	UT2128-1	Outerdecking profile	Left hand	lower	10°	edged	ALU
14	UT2128-2	Outerdecking profile	Right hand	landing	and	and	
					12°	curved design	
15	GO402ASD1	Outerdecking profile	5800 mm			edged	
16	GO402ASD2	Outerdecking profile	2900 mm			and	
17	GO402ASD-V1	Outerdecking profile	1-1000 mm *			curved	
18	GO402ASD-V2	Outerdecking profile	1001-2000 mm *			design	
19	GO402ASD-V3	Outerdecking profile	2001-3000 mm *				
20	GO402ASD-V4	Outerdecking profile	3001-4000 mm *			inclined	
21	GO402ASD-V5	Outerdecking profile	4001-5000 mm *			section	
22	GO402ASD-V6	Outerdecking profile	5001-6000 mm *			10° + 12°	

SPL 57-UT2180 - Balustrade

Page 18 - TYPE UT 2180/31/35/88-91, BALUSTRADE OUTERDECKING PROFILE ALU
NORMAL NEWEL

0° ALU

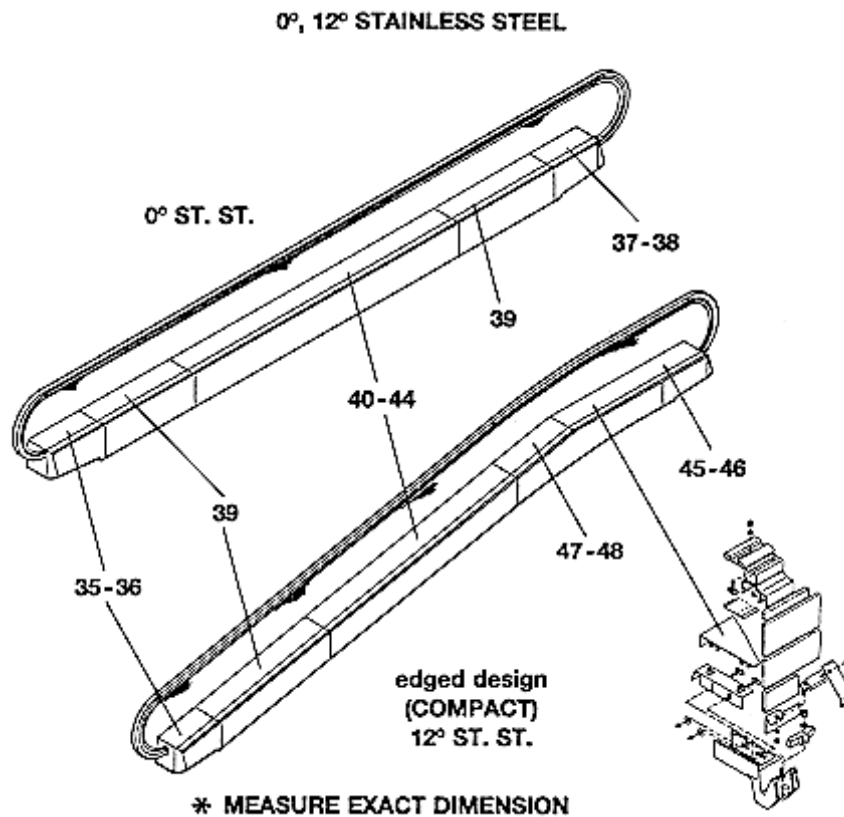


* MEASURE EXACT DIMENSION

SERIAL G. 01					
REF. No	PART OR ML	DESCRIPTION			
23	UT2128-9	Outerdecking profile	Left hand	lower landing	0°
24	UT2128-10	Outerdecking profile	Right hand		ALU
25	UT2128-10	Outerdecking profile	Left hand	upper landing	
26	UT2128-9	Outerdecking profile	Right hand		
27	GO402ASD1	Outerdecking profile	5800 mm	inclined	
28	GO402ASD2	Outerdecking profile	2900 mm	section	
29	GO402ASD-V1	Outerdecking profile	1-1000 mm *		
30	GO402ASD-V2	Outerdecking profile	1001-2000 mm *		
31	GO402ASD-V3	Outerdecking profile	2001-3000 mm *		
32	GO402ASD-V4	Outerdecking profile	3001-4000 mm *		
33	GO402ASD-V5	Outerdecking profile	4001-5000 mm *		
34	GO402ASD-V6	Outerdecking profile	5001-6000 mm *		

SPL 57-UT2180 - Balustrade

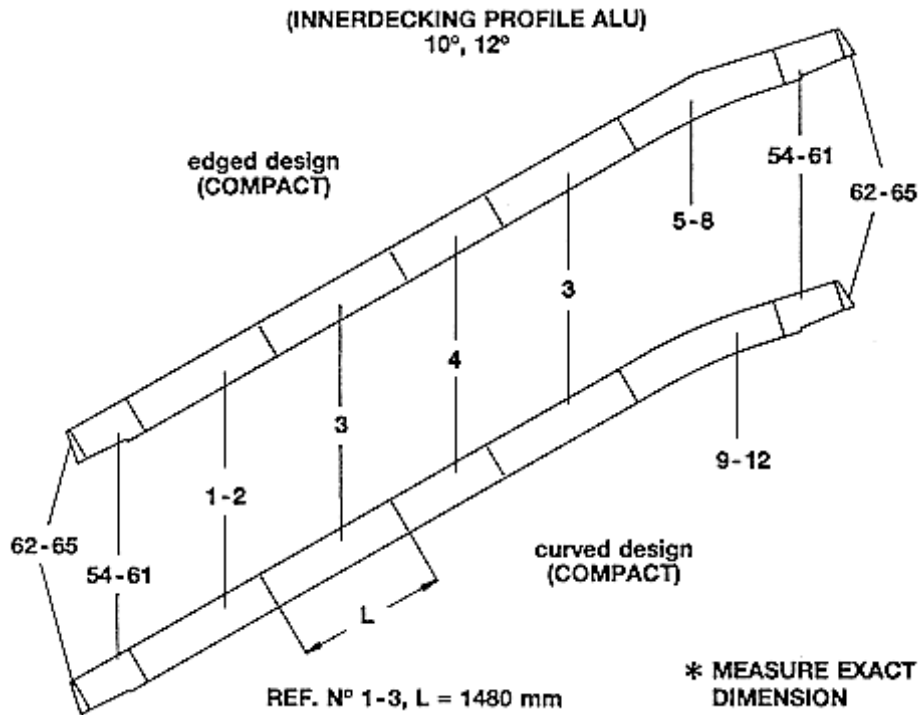
Page 19 - TYPE UT 2180/32/54, BALUSTRADE OUTERDECKING PROFILE ST ST NORMAL NEWEL



SERIAL G. 01						
REF. No	PART OR ML	DESCRIPTION				
35	UT2128-5	Outerdecking profile	Left hand	lower landing	0°	ST
36	UT2128-6	Outerdecking profile	Right hand		+	ST
					12°	
37	UT2128-6	Outerdecking profile	Left hand	upper landing	0°	
38	UT2128-5	Outerdecking profile	Right hand			
39	GO402AWD2	Outerdecking profile	lower landing		0°	
			upper landing		+	
			2450 mm		12°	
40	GO402AWD1	Outerdecking profile	1450 mm		inclined	
41	GO402AWD2	Outerdecking profile	2450 mm		section	
42	GO402AWD-V1	Outerdecking profile	1-1400 mm *		0°	
43	GO402AWD-V2	Outerdecking profile	1401-1900 mm *		and	
44	GO402AWD-V3	Outerdecking profile	1901-2400 mm *		12°	
45	UT2128-13	Outerdecking profile	Left hand	upper landing	12°	
46	UT2128-14	Outerdecking profile	Right hand			
47	UT2128-17	Outerdecking profile	Left hand			
48	UT2128-18	Outerdecking profile	Right hand			

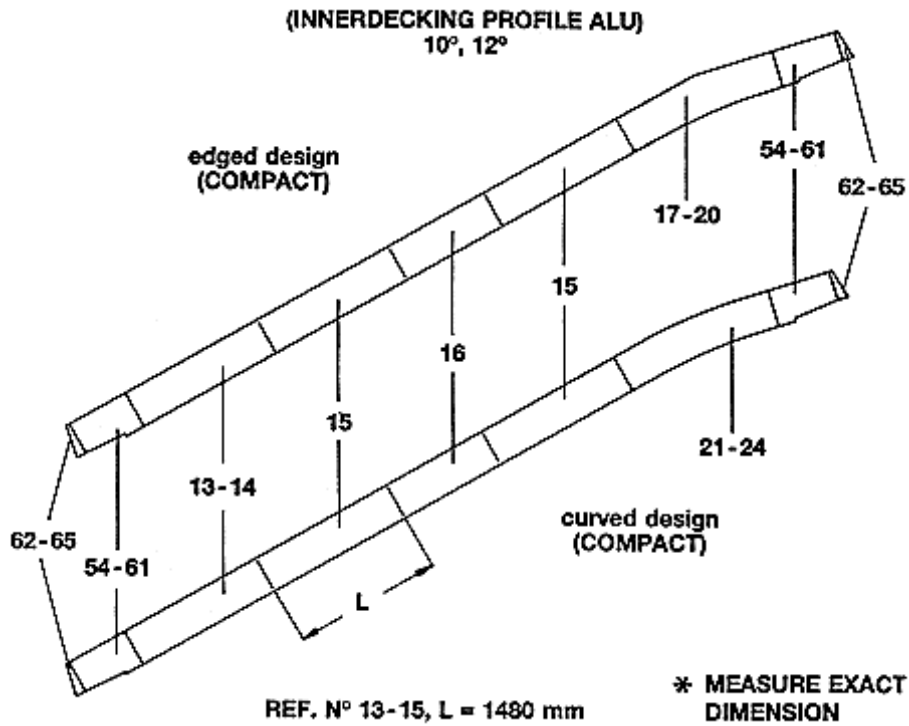
SPL 57-UT2180 - Balustrade

Page 20 - TYPE UT 2110/1-43, BALUSTRADE ALU SKIRT-PANEL BLACK AND STAINL.-STEEL



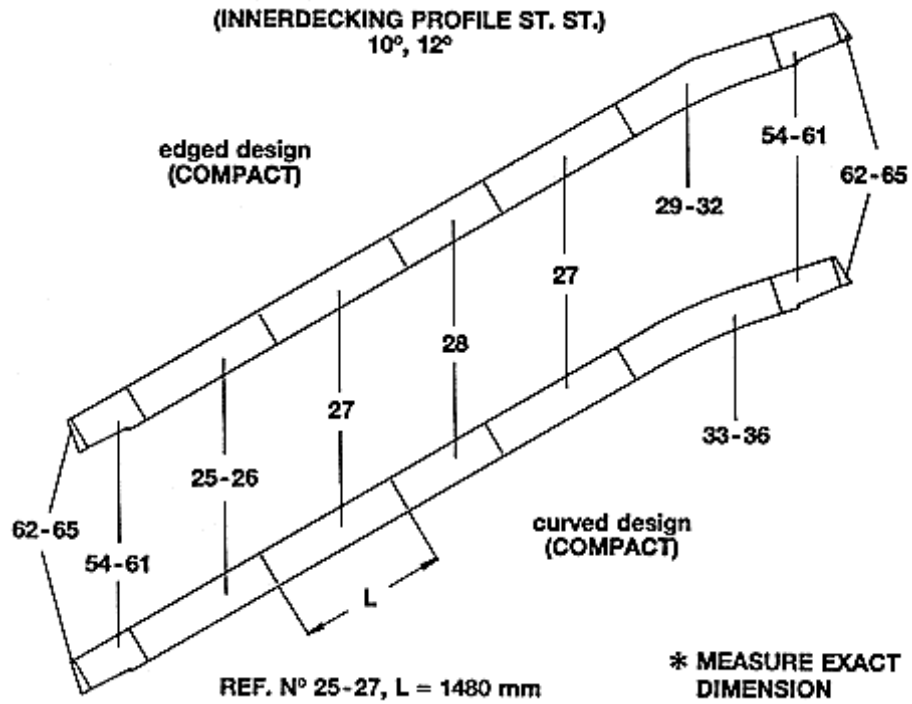
SERIAL G. 01							
REF. No	PART OR ML	DESCRIPTION					
1	UT2111-1	Skirt-Panel	Left hand	lower	edged	10°	black
2	UT2111-2	Skirt-Panel	Right hand	landing	and	and	
3	UT2112-1	Skirt-Panel	Left hand		curved	12°	
4	UT2112-2	Skirt-Panel	+	inclined	design		
		Length = 1450 mm	Right hand	section			
	UT2113-V1	Skirt-Panel					
		600-1000 mm*					
	UT2113-V2	Skirt-Panel					
		1001-1500 mm *					
	UT2113-V27	Skirt-Panel					
		1501-2000 mm *					
5	UT2114-1	Skirt-Panel	Left hand	upper	edged	12°	
6	UT2114-2	Skirt-Panel	Right hand	landing	design		
7	UT2114-7	Skirt-Panel	Left hand			10°	
8	UT2114-8	Skirt-Panel	Right hand				
9	UT2115-1	Skirt-Panel	Left hand		curved	12°	
10	UT2115-2	Skirt-Panel	Right hand		design		
11	UT2115-7	Skirt-Panel	Left hand			10°	
12	UT2115-8	Skirt-Panel	Right hand				

SPL 57-UT2180 - Balustrade



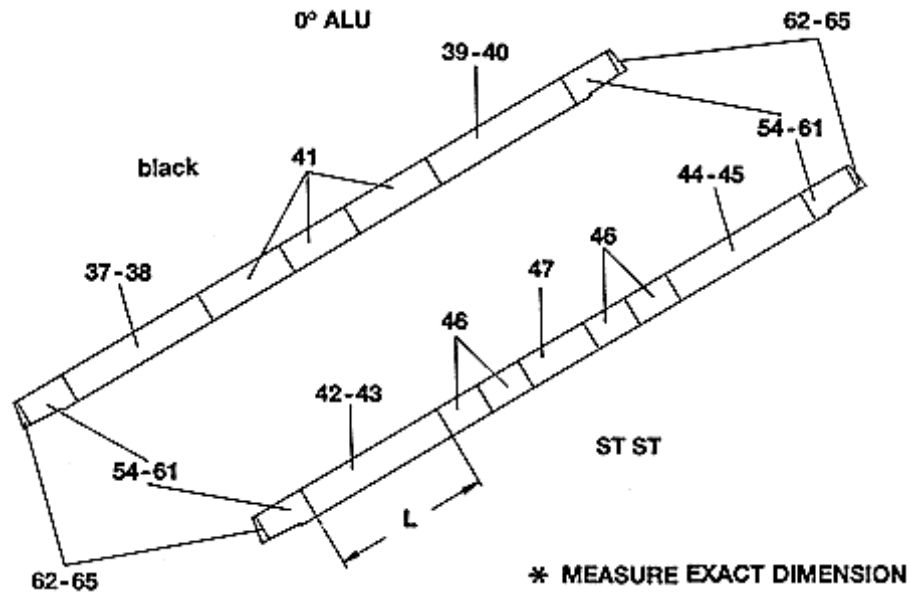
SERIAL G. 01		DESCRIPTION					
REF. No	PART OR ML						
13	UT2111-5	Skirt-Panel	Left hand	lower	edged	10°	ST ST
14	UT2111-6	Skirt-Panel	Right hand	landing	and	and	
15	UT2112-7	Skirt-Panel	Left hand		curved	12°	
16	UT2112-8	Skirt Panel	+	inclined	design		
		Length = 1450 mm	Right hand	section			
	UT2113-V3	Skirt-Panel					
		600-1000 mm *					
	UT2113-V4	Skirt-Panel					
		1001-1500 mm *					
	UT2113-V	Skirt-Panel					
		1501-2000 mm *					
17	UT2114-3	Skirt-Panel	Left hand	upper	edged	12°	
18	UT2114-4	Skirt-Panel	Right hand	landing	design		
19	UT2114-9	Skirt-Panel	Left hand			10°	
20	UT2114-10	Skirt-Panel	Right hand				
21	UT2115-3	Skirt-Panel	Left hand		curved	12°	
22	UT2115-4	Skirt-Panel	Right hand		design		
23	UT2115-9	Skirt-Panel	Left hand			10°	
24	UT2115-10	Skirt-Panel	Right hand				

SPL 57-UT2180 - Balustrade



SERIAL G. 01		DESCRIPTION					
REF. No	PART OR ML						
25	UT2111-9	Skirt-Panel	Left hand	lower	edged	10°	ST ST
26	UT2111-10	Skirt-Panel	Right hand	landing	and	and	
27	UT2112-13	Skirt-Panel	Left hand		curved	12°	
28	UT2112-14	Skirt Panel	+	inclined	design		
		Length = 1450 mm	Right hand	section			
	UT2113-V5	Skirt-Panel					
		600-1000 mm *					
	UT2113-V6	Skirt-Panel					
		1001-1500 mm *					
	UT2113-V	Skirt-Panel					
		1501-2000 mm *					
29	UT2114-5	Skirt-Panel	Left hand	upper	edged	12°	
30	UT2114-6	Skirt-Panel	Right hand	landing	design		
31	UT2114-11	Skirt-Panel	Left hand			10°	
32	UT2114-12	Skirt-Panel	Right hand				
33	UT2115-5	Skirt-Panel	Left hand		curved	12°	
34	UT2115-6	Skirt-Panel	Right hand		design		
35	UT2115-11	Skirt-Panel	Left hand			10°	
36	UT2115-12	Skirt-Panel	Right hand				

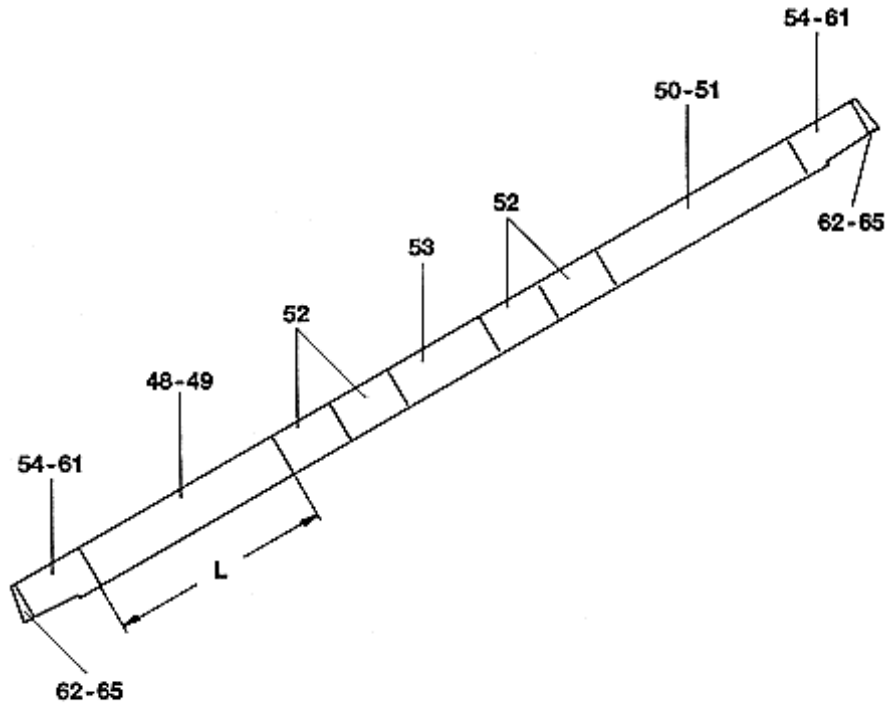
SPL 57-UT2180 - Balustrade



SERIAL G. 01						
REF. No	PART OR ML	DESCRIPTION				
37	UT2111-15	Skirt-Panel	Left hand	lower	0°	black
38	UT2111-16	Length = 1914 mm	Right hand	landing		
39	UT2111-16		Left hand	upper		
40	UT2111-15		Right hand	landing		
41	UT2112-2	Skirt-Panel, Length = 1450 mm	Left hand	lower		
	UT2113-V1	Skirt-Panel	+	landing		
		600-1000 mm	Right hand	upper		
	UT2113-V2	Skirt-Panel		landing		
		1001-1500 mm		and		
	UT2113-V27	Skirt-Panel		inclined		
		1501-2000 mm		section		
42	UT2111-5	Skirt-Panel	Left hand	lower	0°	ST ST
43	UT2111-6	Length = 1480 mm	Right hand	landing		
44	UT2111-6		Left hand	upper		
45	UT2111-5		Right hand	landing		
46	UT2112-9	Skirt-Panel, Length = 951 mm	Left hand			
47	UT2112-8	Skirt-Panel, Length = 1450 mm	+	inclined		
	UT2113-V3	Skirt-Panel	Right hand	section		
		600-1000 mm *				
	UT2113-V4	Skirt-Panel				
		1001-1500 mm *				
	UT2113-V	Skirt-Panel				
		1501-2000 mm *				

SPL 57-UT2180 - Balustrade

0° STAINL.-STEEL

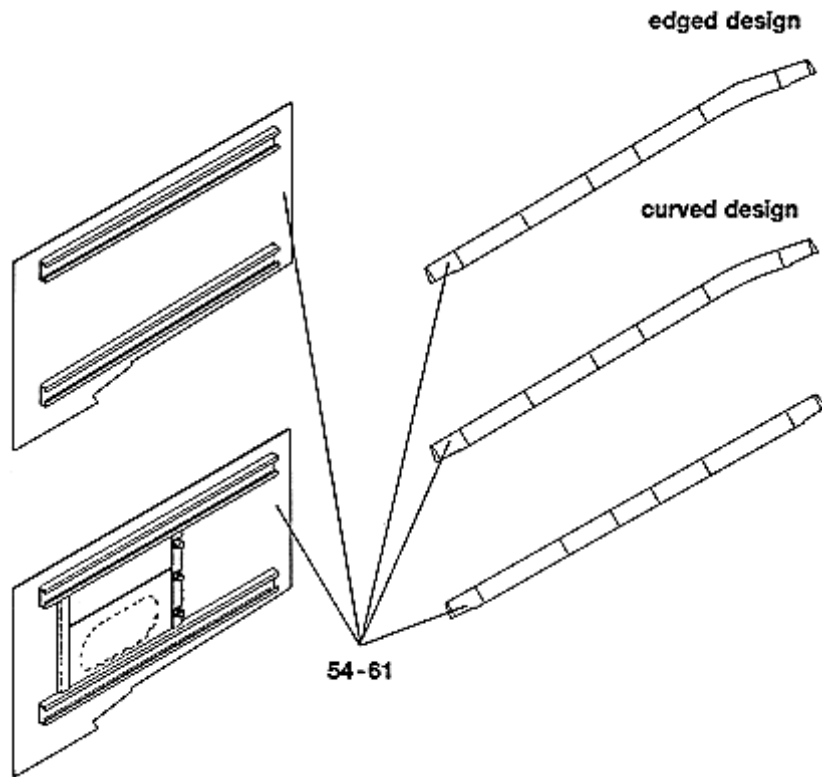


* MEASURE EXACT DIMENSION

SERIAL G. 01						
REF. No	PART OR ML	DESCRIPTION				
48	UT2111-9	Skirt-Panel	Left hand	lower	0°	ST ST
49	UT2111-10	Length = 1480 mm	Right hand	landing		
50	UT2111-10		Left hand	upper		
51	UT2111-9		Right hand	landing		
52	UT2112-15	Skirt-Panel, Length = 951 mm				
	UT2112-14	Skirt-Panel, Length = 1450 mm				
	UT2113-V5	Skirt-Panel	Left hand			
53		600-1000 mm *	+	inclined		
	UT2113-V6	Skirt-Panel	Right hand	section		
		1001-1500 mm *				
	UT2113-V	Skirt-Panel				
		1501-2000 mm *				

SPL 57-UT2180 - Balustrade

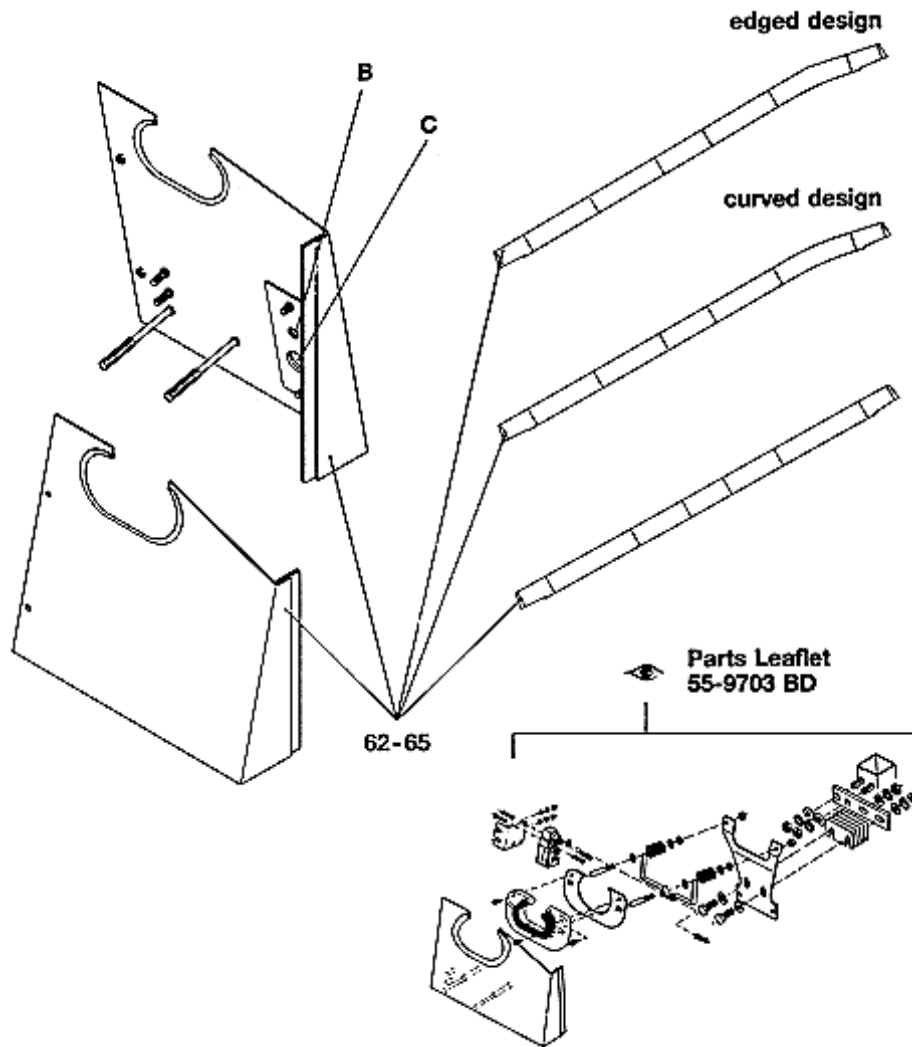
Page 25 - TYPE GO 438 AJY, GO 9703 BD, UT 2110/1-43, BALUSTRADE SKIRT-PANEL BLACK AND STAIN.-STEEL



SERIAL G. 01						
REF. No	PART OR ML	DESCRIPTION				
54	GO9703BD1	Skirt-Panel	As shown on picture Left hand	black	With hole	0°
55	GO9703BD2	Skirt-Panel	Right hand			10°
56	GO9703BD3	Skirt-Panel	As shown on picture Left hand	ST ST		12°
57	GO9703BD4	Skirt-Panel	Right hand			
58	GO438AJY3	Skirt-Panel	As shown on picture Left hand	black	Without hole	
59	GO438AJY4	Skirt-Panel	Right hand			
60	GO438AJY11	Skirt-Panel	As shown on picture Left hand	ST ST		
61	GO433AJY12	Skirt-Panel	Right hand			

SPL 57-UT2180 - Balustrade

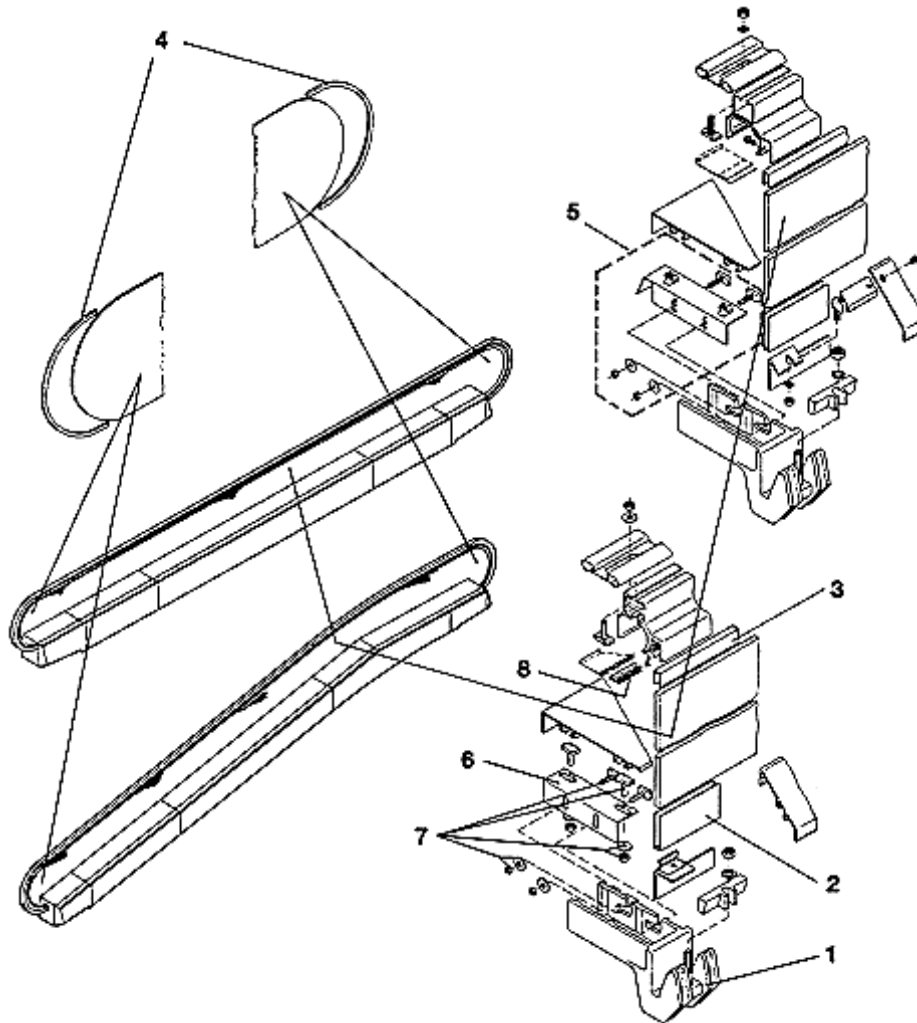
Page 26 - TYPE A 9703 AK UT 2110/1-43, BALUSTRADE SKIRT-PANEL BLACK AND STAINL.-STEEL



SERIAL G. 01						
REF. No	PART OR ML	DESCRIPTION				
			Hole			
			B	C		
62	A9703AK1	Kick-Plate	Without	Without	black	0°
63	A9703AK2	Kick-Plate	With	With		10°
64	A9703AK10	Kick-Plate	Without	Without	ST ST	12°
65	A9703AK11	Kirk-Plate	With	With		

SPL 57-UT2180 - Balustrade

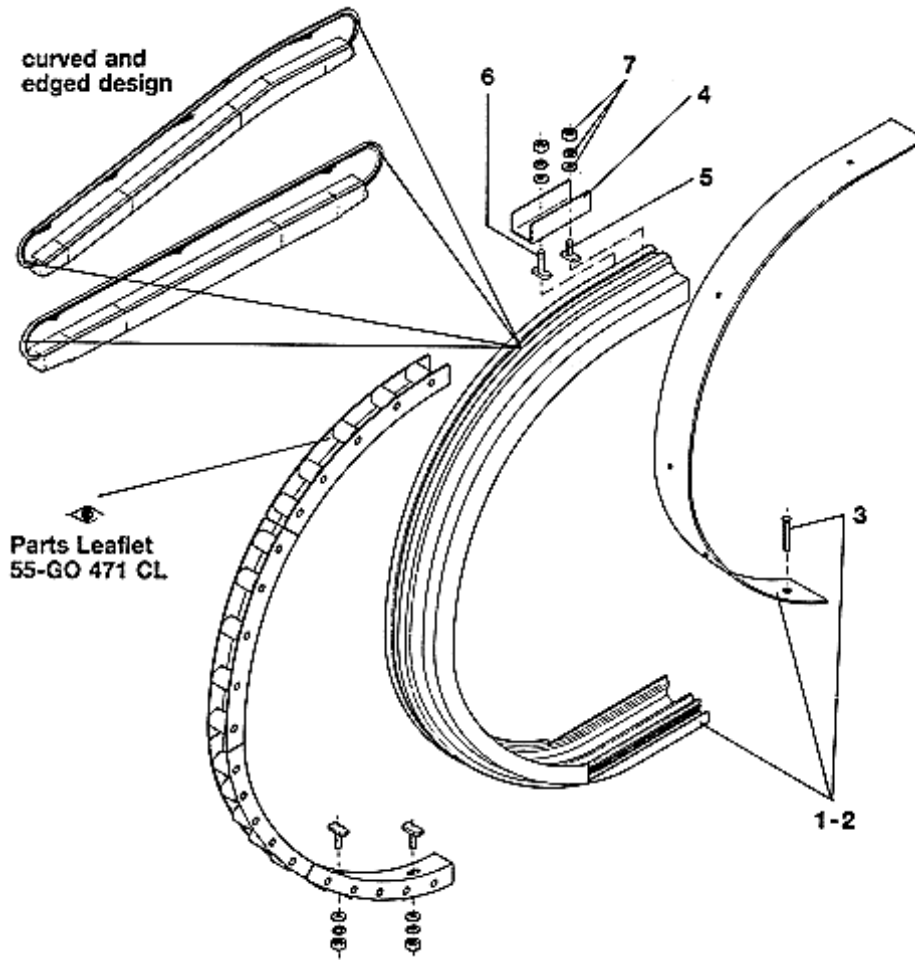
Page 27 - TYPE UT 2180, BALUSTRADE FASTENING PARTS FOR DECKINGPROFILE ALU AND STAINLESS STEEL



SERIAL G. 01		
REF. No	PART OR ML	DESCRIPTION
1	GO339DF1	Glassholder
2	2S-GO50KR80	Glass mountingstrip
3	1S-GO50TW1000	Glassmountingstrip
4	1S-GO50TV1000	Glassmountingstrip
5	GO283AFN1	Angle compl.
6	GO283AEA1	Angle
7	GO56AA3	T-head screw compl.
8	1S-GO5CAAS	Shape 6000 mm To be cut according to dimensions

SPL 57-UT2180 - Balustrade

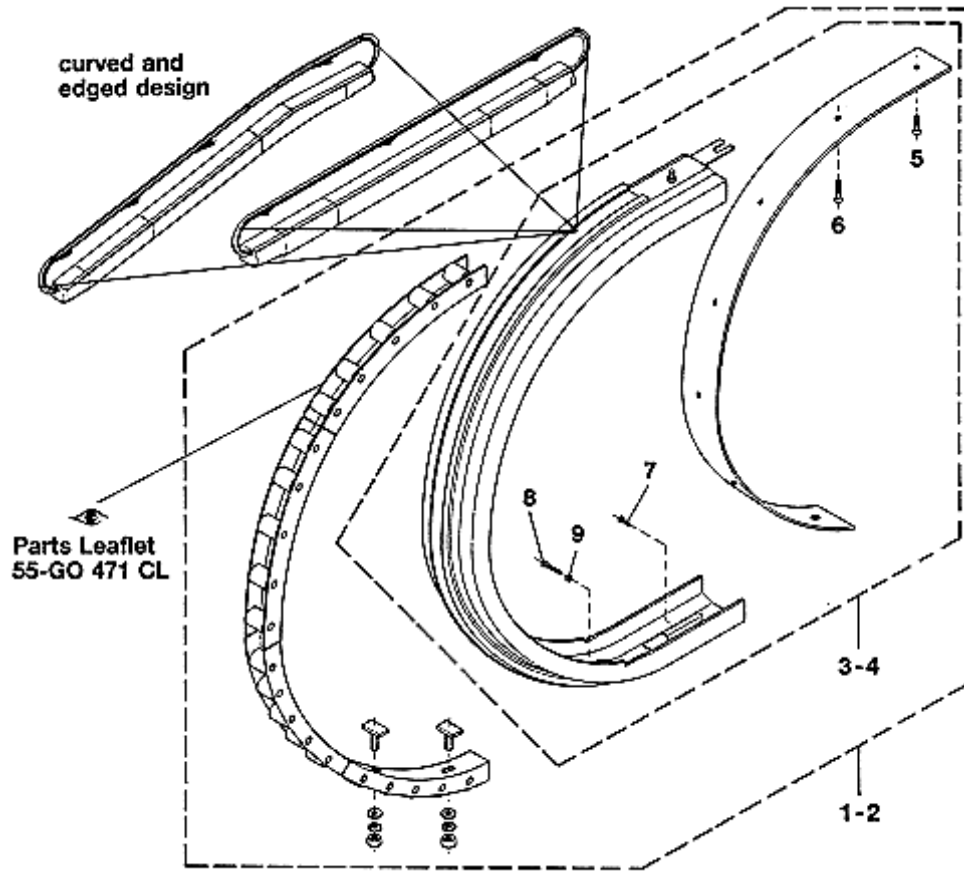
Page 28 - TYPE UT 2180, BALUSTRADE NORMAL NEWEL ALU



SERIAL G. 01				
REF. No	PART OR ML	DESCRIPTION		
1	GO402ARA1	Circular ring segment	Left hand	
2	GO402ARA2	Circular ring segment	Right hand	
3	GO65BK2	Countersunk screw		
4	GO402AEY3	Moulding		
5	GO63Y17	T-head screw	M 8 x 20	
6	GO63Y18	T-head screw	M 8 x 33	
	47274	Washer	A 8,4	DIN 125
7	45336	Spring washer	A 8	DIN 127
	54726	Hex. nut	M 8	DIN 934

SPL 57-UT2180 - Balustrade

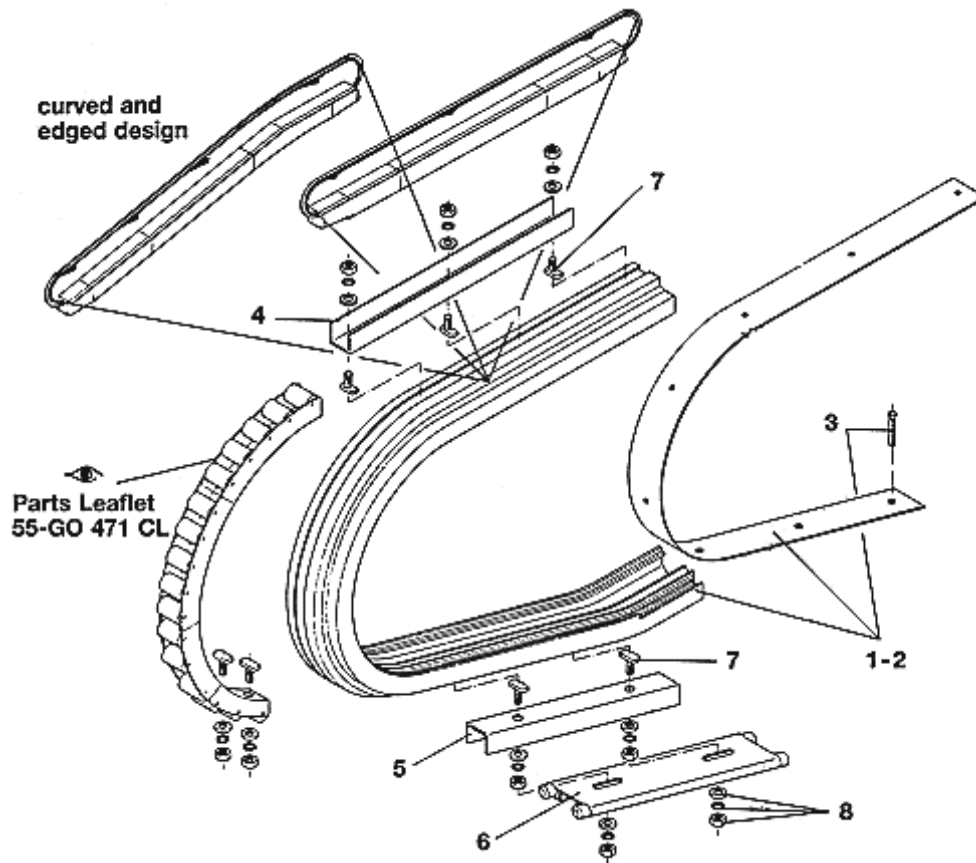
Page 29 - TYPE UT 2180, BALUSTRADE NORMAL NEWEL STAINLESS STEEL



SERIAL G. 01				
REF. No	PART OR ML	DESCRIPTION		
1	GO402AVH1	Newel	Left hand	
2	GO402AVH2	Newel	Right hand	
3	GO402ATX1	Circular ring segment	Left hand	
4	GO402ATX2	Circular ring segment	Right hand	
5	127597	Countersunk screw	M 4 x 40	DIN 7991
6	129718	Countersunk screw	M 4 x 40	DIN 7991
7	23143	Hex. screw	M 6 x 10	DIN 933
8	57299	Hex. screw	M 6 x 30	DIN 933
9	104729	Hex. Nut	M 6	DIN 934

SPL 57-UT2180 - Balustrade

Page 30 - TYPE UT 2180, BALUSTRADE ELONGATED NEWEL ALU



SERIAL G. 01				
REF. No	PART OR ML	DESCRIPTION		
1	GO402AWK1	Elongated ring segment	Left hand	
2	GO402AWK2	Elongated ring segment	Right hand	
3	GO65BK1	Countersung screw	Left hand	
4	GO402AEY5	Moulding	Right hand	
5	GO402AEY4	Moulding		
6	GO402AGV9	Guide		
	GO402AGV10	Guide	ST ST	
7	GO63Y18	T-head screw	M 8 x 33	
	47274	Washer	A 8,4	DIN 125
8	45336	Lock washer	A 8	DIN 127
	54726	Hex. nut	M 8	DIN 934