

C-1031A - Type 6410 Key Operated Contacts

July 1, 1967

Page 1

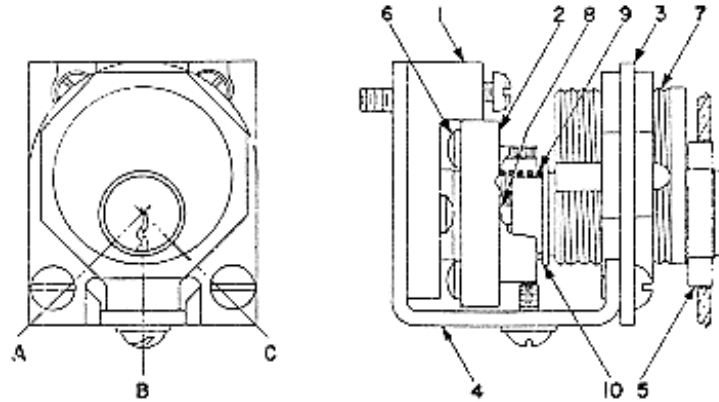


FIG. 1

PARTS FOR TYPE A6410A, B,C,D KEY OPERATED CONTACTS - FIG. 1

- ML A6410A1 - Making, with spring return and key removable at position "B".
- ML A6410B1 - Breaking, with key removable at position "B".
- ML A6410C1 - Making or Breaking with key removable at two positions; "A" & "C".
- ML A6410D1 - Making without spring return and key removable at position "B".

Ref. No.	Part No.	Description	ML A6410-			
			A1	B1	C1	D1
			Quantity			
1	306AM2	Base, Contact	-	-	1	-
1	A306YA2	Base, Contact	1	1	-	1
2	A306ZA2	Base, Contact	1	1	-	1
2	A306ZA3	Base, Contact	-	-	1	-
3	316AR1	Bracket	1	1	1	1
4	316ZP2	Bracket	1	1	1	1
5	340AA2 <i>This part is used with Key Operated Contacts, but is not a part of the above Material Lists.</i>	Collar (specify marking)	-	-	-	-
-	176GA1	Connector (for Contact Base 306AM2 and A30 YA2)	2	2	2	2
-	176HA1	Connector (for Contact Base A306ZA2 and 3)	1	1	1	1
6	150JA1	Contact	4	4	4	4
-	.815871	Key, for Lock, change #27248GA	2	2	2	2
7	431C3	Lock, with 2 Keys	1	1	-	1
7	431C6	Lock, with 2 Keys	-	-	1	-
8	77VD1	Pin	2	2	2	2
9	90TA2	Spring, Compression	-	1	1	1
9	92F3	Spring, Torsion	1	-	-	-
10	128Z1	Washer, brass, 1/2" ID x 11/16" OD	-	1	1	1

C-1031A - Type 6410 Key Operated Contacts

Page 2

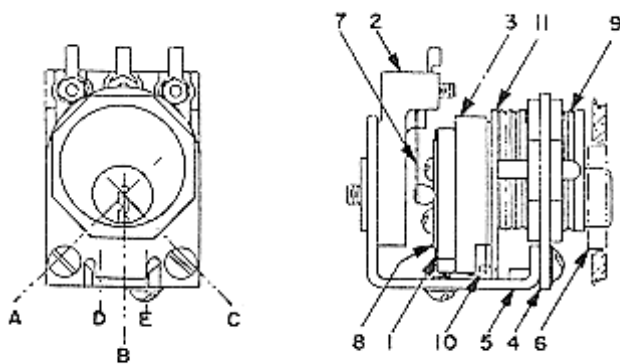


FIG. 2

6410E SECT.	KEY IN POSIT. B	6410E SECT.	KEY IN POSIT. B
1		7	
2		8	
3		9	
4		10	
5		11	
6			

CONTACT ARRANGEMENT

PARTS FOR 6410E KEY OPERATED CONTACTS - FIG. 2

- 6410E1 - Making and Breaking Contact, with centering spring - key removable at position "B".
- 6410E2 - Making; or Breaking; or Making-Breaking, with centering spring - key removable at position "B" - stop screw at position "E".
- 6410E3 - Making; or Breaking; or Making-Breaking, without centering spring - key removable at position "B" with stop screw at position "E".
- 6410E4 - Making; or Breaking; or Making-Breaking, without centering spring - key removable at positions "A" & "B" with stop screw at position "E".
- 6410E5 - Single Throw Double Making Contact, with centering spring - key removable at position "B" with stop screw at position "E".
- 6410E6 - Double Throw Making Contact, with centering spring - key removable at position "B".
- 6410E7 - Double Making Contact, without centering spring - key removable at position "B" - stop screw at position "E".
- 6410E8 - Single Throw Double Making Contact, with centering spring - key removable at position "B" - stop screw at position "E".
- 6410E9 - Making and Breaking Contact, with centering spring - key removable at positions "B" & "C".
- 6410E10 - Making; or Breaking; or Making-Breaking, without centering spring - key removable at positions "A" & "B" - stop screw at position "E".
- 6410E11 - Double Throw Making Contact, without centering spring - key removable at positions "A", "B" & "C".

NOTE: Material List section number of each contact is stamped on the face of its lock, thus, "E1", "E2", etc.

C-1031A - Type 6410 Key Operated Contacts

Page 3

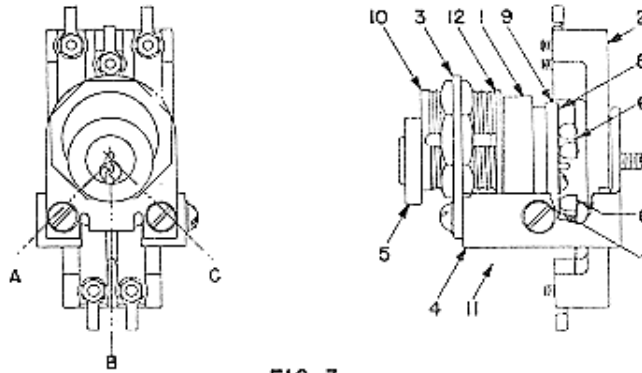


FIG. 3

PARTS FOR TYPE 6410H KEY OPERATED CONTACTS - FIG. 3

- 6410H1 - Double Making and Breaking Contact, with centering spring - key removable at position "B".
- 6410H2 - Double Making and Breaking Contact, with centering spring - key removable at position "B" - with stop screw.
- 6410H3 - Double Making and Breaking Contact, without centering spring - key removable at position "B" - with stop screw.
- 6410H4 - Double Making and Breaking Contact, without centering spring - key removable at positions "A" & "B" - with stop screw.
- 6410H6 - Double Making and Breaking Contact, with centering spring - key removable at position "B".

Ref. No.	Part No.	Description	ML 6410H-				
			1	2	3	4	6
			Quantity.				
1	306AR2	Base, Contact	1	1	1	1	1
2	306FY1	Base, Contact	1	1	1	1	1
3	A316AR1	Bracket	1	1	1	1	1
4	316BPW1	Bracket	1	-	-	-	1
4	316BPW2	Bracket	-	1	1	1	-
5	340AA2	Collar (specify marking)	1	-	-	-	-
6	150AF2	Contact, metallic, with spring	5	5	5	5	5
7	156AH1	Contact, Movable	2	2	2	2	2
8	156AJ1	Contact, Movable	1	1	1	1	1
9	179BH1	Holder, Contact	1	1	1	1	1
-	815871	Key, for Lock, change #27248GA	-	2	2	2	2
-	-	Key, for Lock, change #14398GB	2	-	-	-	-
10	A431C3	Lock, with 2 keys	-	1	1	-	1
10	A431C8	Lock, with 2 keys	-	-	-	1	-
10	A431C15	Lock, with 2 keys	1	-	-	-	-
11 Arrow indicates location, the part itself not showing in the illustration.	92H4	Spring, Spiral Torsion	1	1	-	-	1
12	477AM1	Stop (Plate)	1	1	1	1	1